



SERIES 111 – SLIDING GLASS DOOR – SGD4

1503 W San Pedro St, Gilbert, Arizona 85233 : (480) 892-2600
E-Mail: Info@HeritageWindows.com FAX : (480) 892-0951

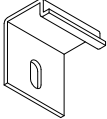

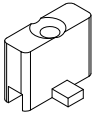
INSTALLATION INSTRUCTIONS

1

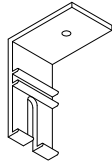
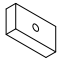
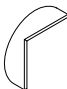
6/2012
G:\MANUALS\INSTALL\SGD4 INSTALL.DWG

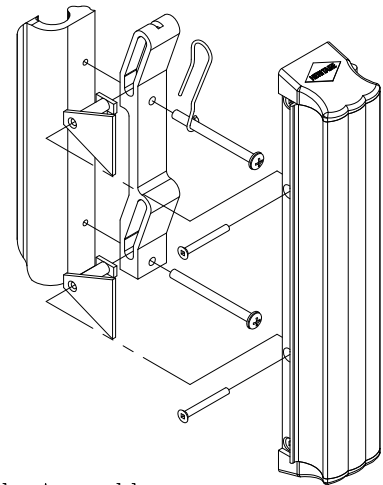
HARDWARE KITS

- Tools Required: Tape measure, bubble type level, Phillips screw-driver, hand drill with 1/8" dia. drill bit, shims, sealant (acrylic seam sealer, S/M #5504, PERMATEX #3H or equal) and caulking (conforming to Federal Specification TT-S-1657).
- Following hardware supplied with screen:

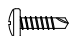
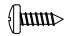
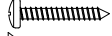

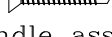
Part #		
186		Screen Lock Catch
02		#6x3/8" self-tapping screw (2 ea.)
05		Screen Center Stop (OXXO Doors Only)

- Following hardware supplied with door perimeter frame assembly (anchors to mount doors into masonry openings are not provided):

Part#	Quan. masonry kit	Quan. wood kit		
122	2	2		Fixed panel anchor bracket
124	1	1		Shoring block
300	0	2		Nailing Fin Corner Closer



Handle Assembly:
Interior Handle w/lock & Exterior Pull
MOUNT: 2ea. #10-32X2.25" PAN HEAD SCREWS
HANDLE: 2ea. #6-32 X 1.250" FLAT HEAD SCREWS

002	0	4		#6x3/8" pan head self tapping screws
337	4	0		#8x3/8" pan head screws
339	8	8		#8x1" pan head screws
325	0	12		#10x2" flat head self-tapping screws
326	3	3		#8x1" flat head self-tapping screws
137	Door handle assembly (1 with OX, XO & OXO doors, 2 with OXXO doors) Screws for OXO adaptor are packed with adaptor.			

SUGGESTED MASONRY/CONCRETE MOUNTING:

You will need 12 ea Flat Head screws and they are NOT provided in the kit due to diversity of masonry openings with conventional block, foam block, concrete and others. You must obtain your own installation screws. If you want to use lead or plastic insert anchors in the block, you'll need to use different screws. In many good cases, #12X2 1/4 flat head concrete screws (TapCon or ConLok) may be used in lieu of anchors. They are optionally available from HERITAGE.



PERIMETER FRAME ASSEMBLY

1. Measure width and height of opening at corners and center. The opening should be 1/2" larger than the net width and 1/2" larger than the net height of the door frame (exclusive of nail fins). Opening should be square and plumb and floor should be smooth, flat and level. Verify squareness by having equal diagonal measurements across opposite corners.
2. Assemble perimeter frame head, jamb and sill by using eight #8x1" pan head screws provided (Fig 2-A).
3. Two ends of the hollow sill are filled with silicone. Bottom ends of each jamb are gasketed. Remove the paper on the gaskets.
4. Refer to decals on jambs for seam sealing instructions. Apply a heavy bead of seam sealant inside and outside of two bottom corners.

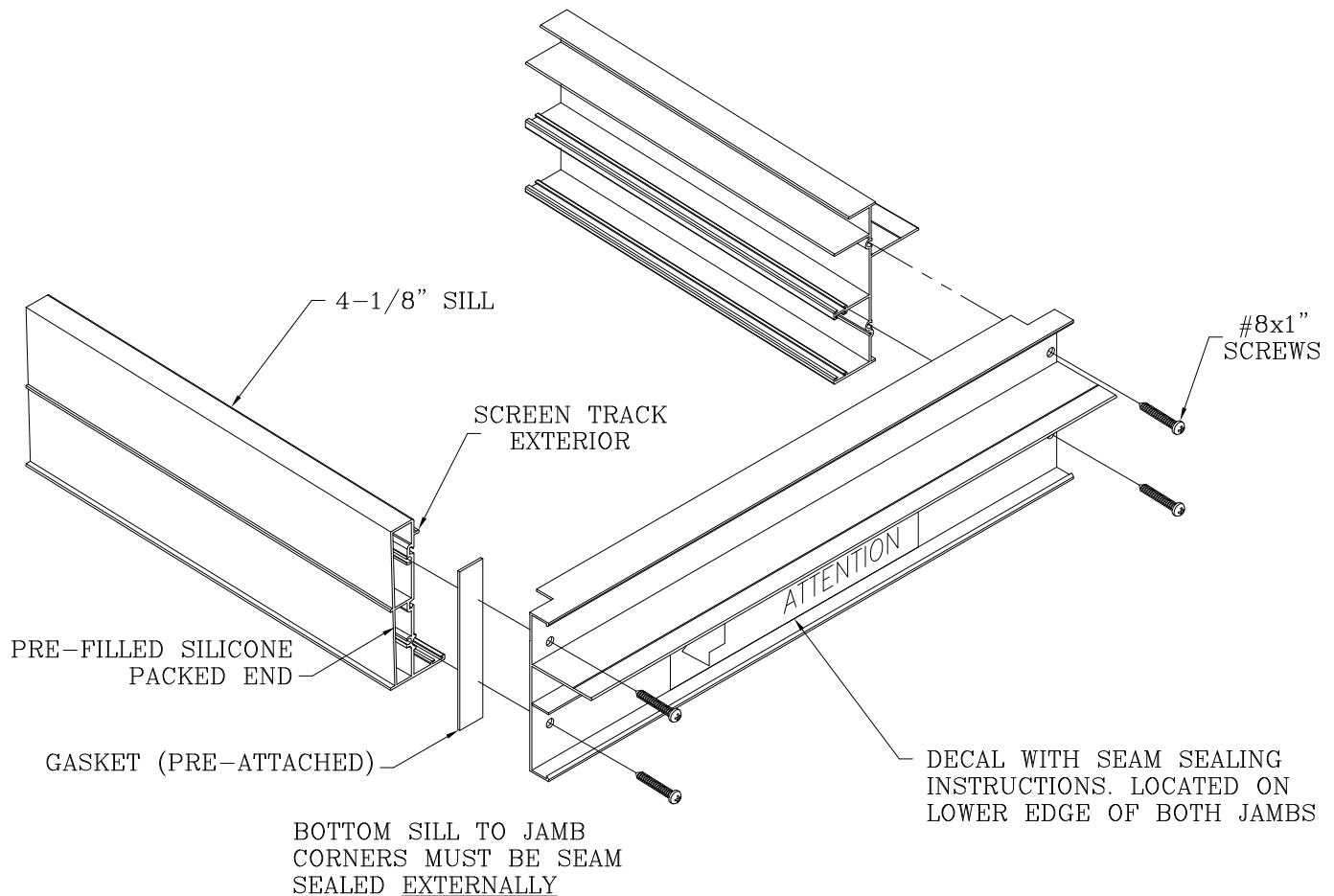


Fig 2-A



SERIES 111 – SLIDING GLASS DOOR – SGD4

1503 W San Pedro St, Gilbert, Arizona 85233 : (480) 892-2600
E-Mail: Info@HeritageWindows.com FAX : (480) 892-0951

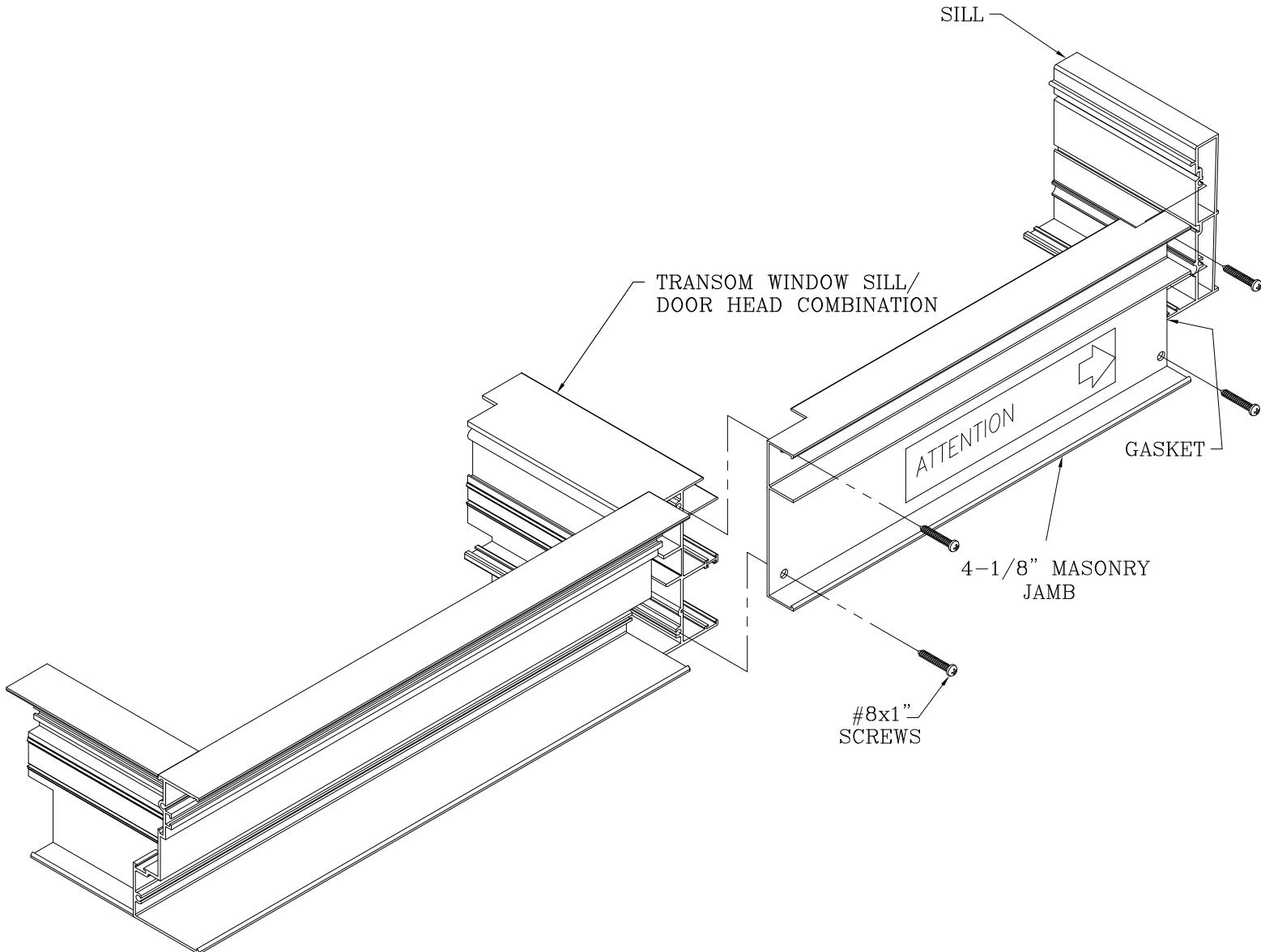
INSTALLATION
INSTRUCTIONS

2a

3/2012
G:\MANUALS\INSTALL\SGD4 INSTALL.DWG

PERIMETER FRAME W/ TRANSOM WINDOW ASSEMBLY

1. When installing a transom window stacked on a sliding glass door, the perimeter frame is assembled in the same maner as a standard SGD4 (refer to page 2 of your installation instructions). A window with a combination sill / SGD4 head was supplied to replace the standard SGD4 head. (products 1911WWMSDG, 19ARWWMSDG & 19RTWWMSDG)
2. After the door is installed, the transom window must be glazed (install the glass). Refer to page 2b.





SERIES 111 – SLIDING GLASS DOOR – SGD4

1503 W San Pedro St, Gilbert, Arizona 85233 : (480) 892-2600
E-Mail: Info@HeritageWindows.com FAX : (480) 892-0951

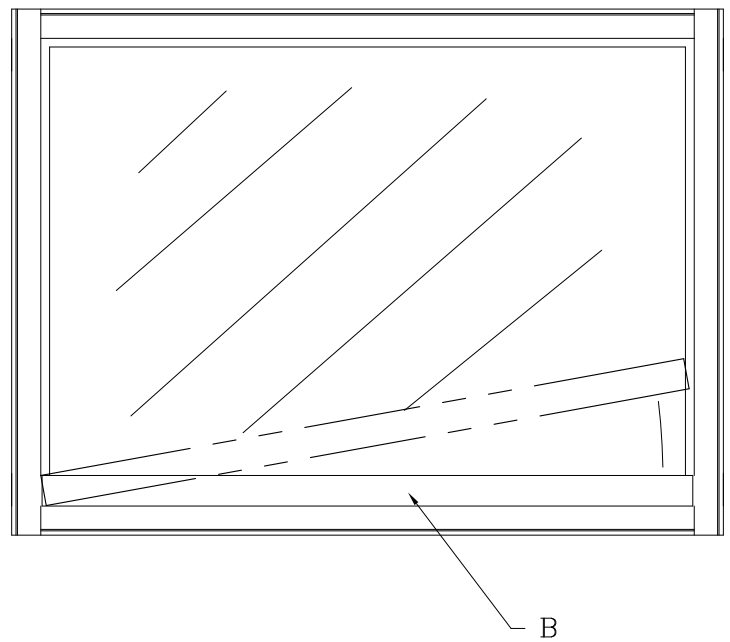
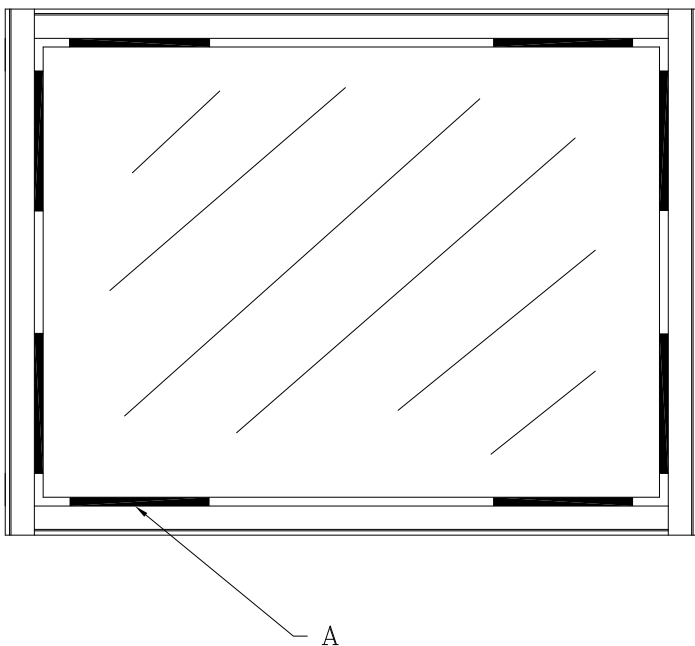
INSTALLATION
INSTRUCTIONS

2b

3/2012
G:\MANUALS\INSTALL\SGD4 INSTALL.DWG

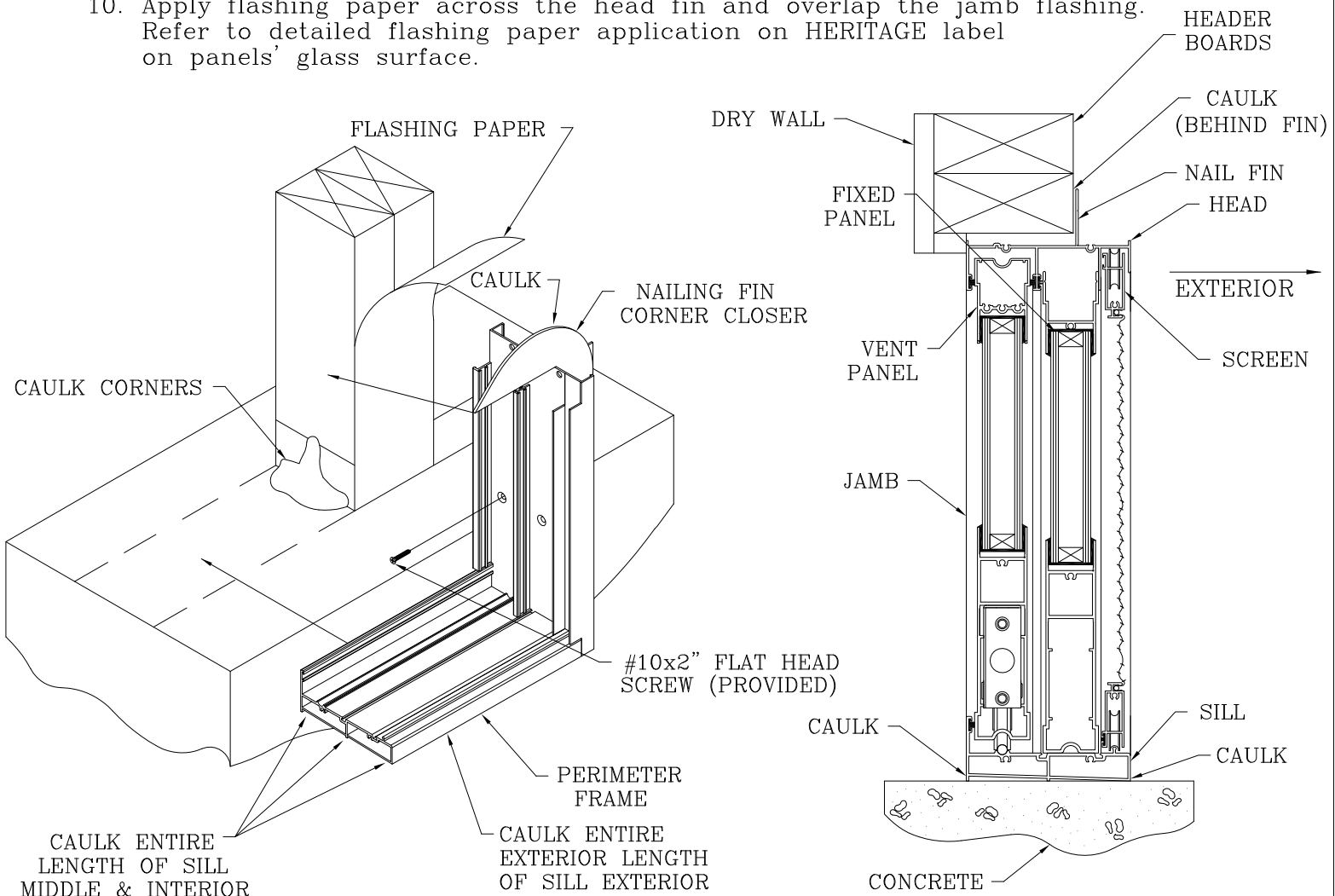
GLAZING TRANSOM WINDOWS

1. Spread a liberal amount of seam sealer on the frame where the setting blocks will be placed and rotate them into position as shown in illustration, making sure that the setting blocks are flush with the bottom edge of the glass.
2. Place the stops flush with the outside edge of the transom perimeter frame. Screw apply to the frame using #8-1" flat head tek screws (place rubber pad on the glass before screwing to prevent scratching).
3. Start rolling the glazing bead (EPDM) from the top left corner and continue down the jamb and around until you return to the top left corner. DO NOT CUT at the corners. 3 corners must be continuous with the bead. Before cutting the top left corner, make sure that 3 continuous corners are tucked in tightly.
4. Place the vertical stops into the frame by pushing them straight down. This will prevent scratching of an exposed surface. Screw apply the vertical stop in the same manner as the horizontal stop.
5. After the stops are applied, spread seam seal on threads of #8x1" tek screws, then run the screws.



INSTALLATION OF PERIMETER FRAME IN WOOD OPENING

1. Apply the flashing paper.
2. Apply a single, continuous, overflowing bead of caulk along the entire underside length of the sill in the recess adjacent to the innermost edge.
3. Apply a large bulb of caulking at each jamb to sill corner.
4. Insert the perimeter frame into the opening. Place nail fins against the outside surface of the opening. Square frame in the opening until both diagonal measurements across opposite corners are equal (Figs 3-A&B).
5. Temporarily secure frame by driving a nail into all four corners (through fins). Apply corner closers to nailing fins on head panels' corners with # 6x3/8" self tapping screws.
6. Insert shims in any gaps between jambs and wood wall to assure straightness.
7. Insure no gaps around handle.
8. Drive nails through nail fins on 24" centers. Install #10x2" flat head screws through both jambs at pre-punched locations (differing with door height). Shim at screw locations to preclude unwanted jamb deflection.
9. Caulk behind and/or around the nailing fins. Caulk entire length of sill, interior, underneath, and exterior. (Fig 3-A)
10. Apply flashing paper across the head fin and overlap the jamb flashing. Refer to detailed flashing paper application on HERITAGE label on panels' glass surface.

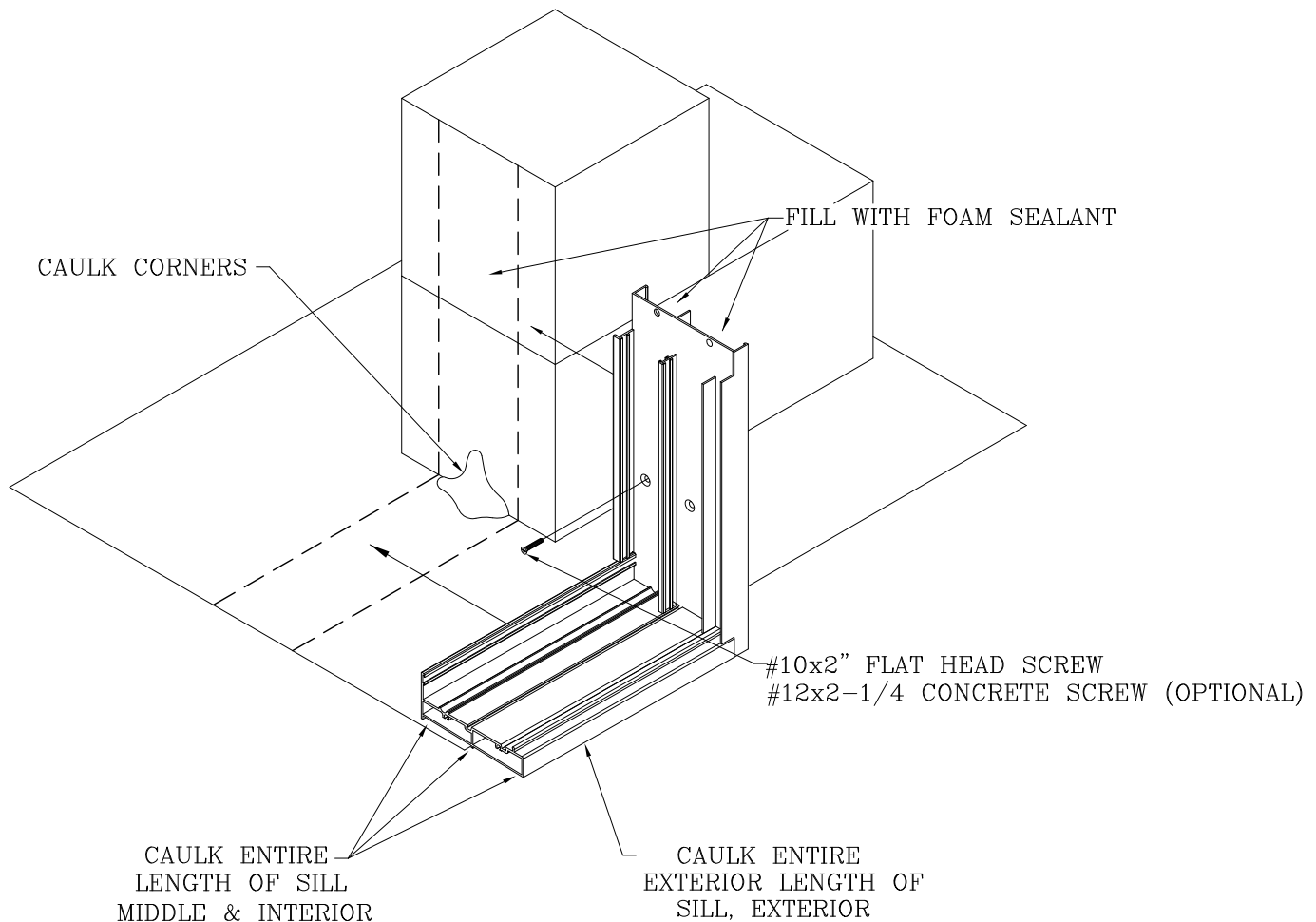


(Fig 3-A) FRAME INSTALLATION IN OPENING

(Fig 3-B) CROSS SECTION OF DOOR ASSEMBLY

INSTALLATION OF PERIMETER FRAME IN MASONRY OPENING

1. Apply a single, continuous, overflowing bead of caulk along the entire underside length of the sill in the recess adjacent to the innermost edge.
2. Apply a large bulb of caulking at each jamb to sill corner.
3. Insert the perimeter frame into the opening. Square the frame until both diagonal measurements across opposite corners are equal.
4. Insert Shims behind the pre-drilled holes. Make sure that the jambs are straight.
5. Drill 3/16" diam. holes into the shims and masonry wall with concrete drill bits. Install 12 ea. special masonry screws (not included in hardware kit). Due to diversity of masonry openings with conventional block, foam block, concrete and others, you must obtain your own installation screws. You'll need max. 12 ea, they should be flat head and # 12 and length depends on type of block.
6. Seal gap/rough opening space with non-expansive foam sealant per manufacturer's directions. Dow Pro-Great Stuff Foam Sealant recommended.

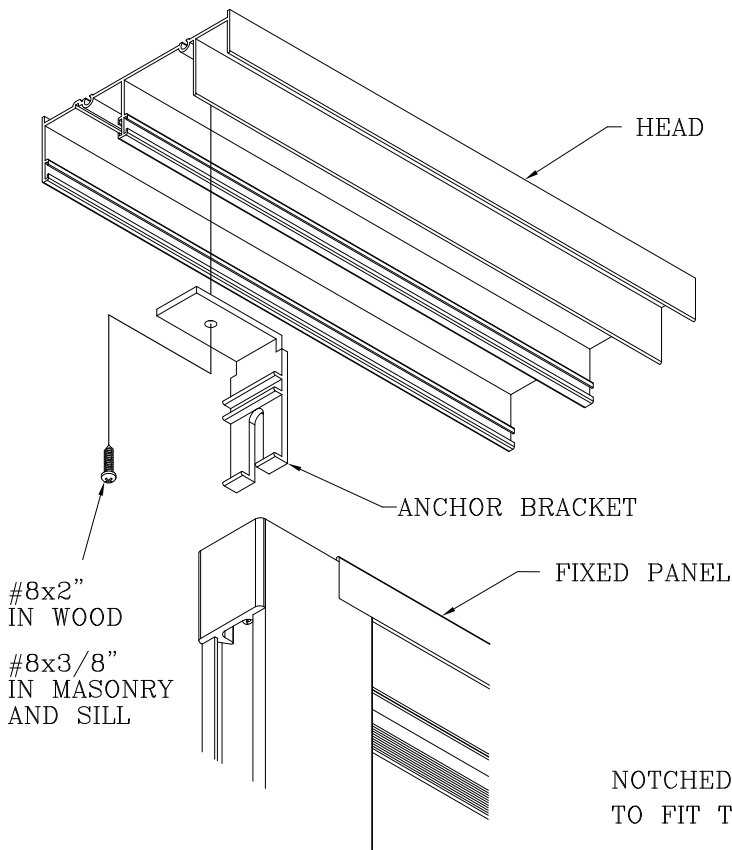


FRAME INSTALLATION IN OPENING

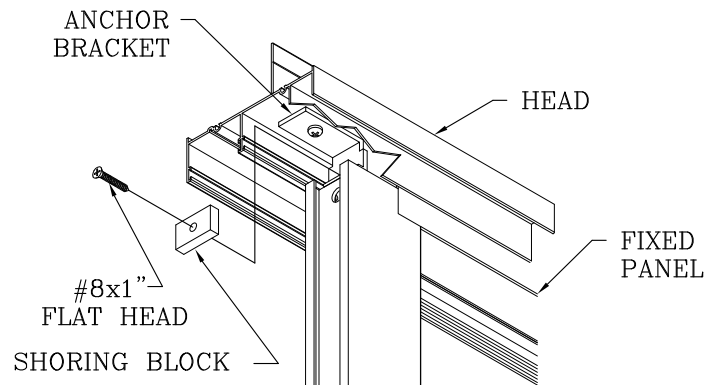


PANELS' INSTALLATION

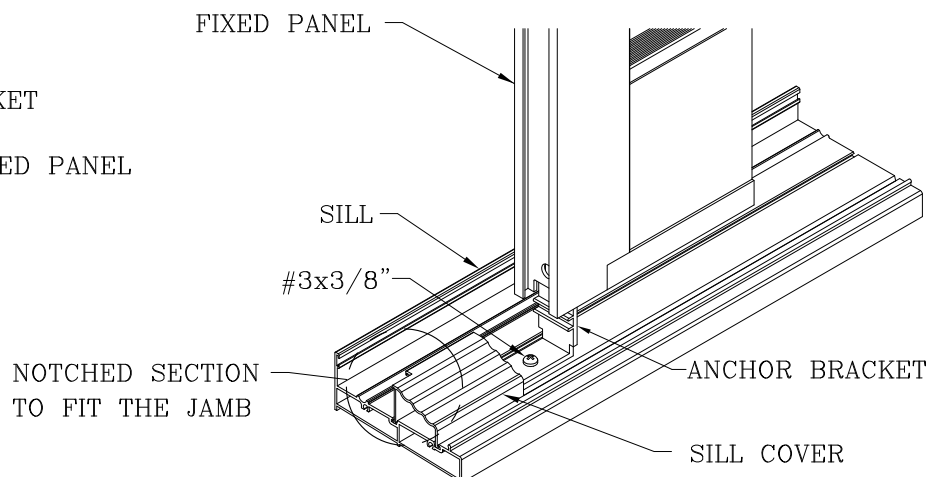
1. Insert vent panel (with rollers on the bottom) from the outside into the innermost track in the perimeter frame head and swing onto the inner sill track so that the lockstile (with pre-drilled holes) closes in the preferred direction. The sliding direction is NOT reversible. In order to reverse the sliding directions, new interlock stiles are needed.
2. All tinted and Low E glass vent and fixed panels are provided with Top-Outside orange labels. Refer to labels for correct panel exterior orientation.
3. Square the vent panel to the perimeter frame jamb by adjusting the bottom rollers with a Phillips screw-driver through the bottom stile holes.
4. Insert the bottom anchor bracket into the hollow channel of the fixed interlock stile's top and bottom. Insert the fixed panel from the outside into the center track in the perimeter frame head and swing into place. Push the fixed panel fully into the jamb.
5. Tap the top anchor bracket up into the fixed channel of the head and tap the bottom anchor bracket to the sill. Fasten with #8x3/8" screws in masonry head and sill. Use #8x2" screw in the head if the head goes to wood frame. Sill must have #8x3/8" screw always. (A Longer screw on the sill will cause it to leak) (Fig 5-A and 5-C).
6. Install the shoring block into the fixed panel anchor bracket and secure with a #8x1" flat head screw (Fig. 5-B).
7. Install sill cover weatherstrip side toward the vent panel into the double grooves in the sill adjacent to the fixed panel. It will snap into place, locking into the double grooves. (Fig 5-C).



(Fig 5-A) HEAD ANCHOR BRACKET INSTALLATION



(Fig 5-B) SHORING BLOCK INSTALLATION

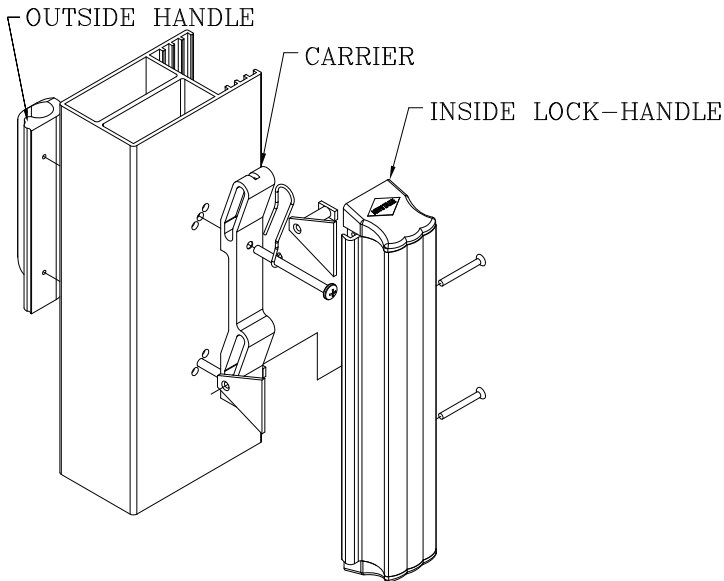


(Fig 5-C) SILL COVER INSTALLATION

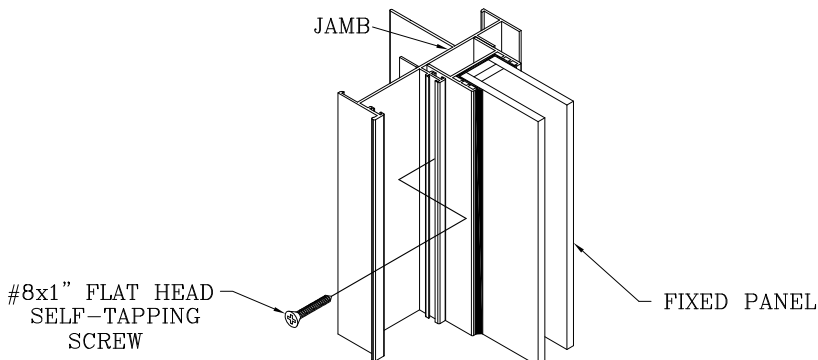


PANELS' INSTALLATION CONT.

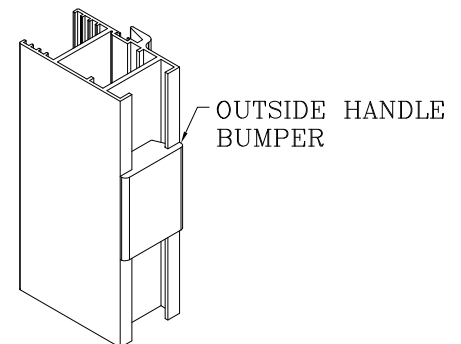
8. Mount the carrier from the inside with screws provided through the pre-drilled holes in the vent panel lockstile into the outside handle. Position outside handle with the finger recess toward the jamb. Adjust lock engagement with the jamb by repositioning the inside lock-handle (Fig 6-A).
9. Before securing the fixed panel, lock the lead panel in place then pull the fixed panel toward it's jamb to find its correct location. Secure the fixed panel into the jamb from the inside with two #8x1" self-tapping screws through the jamb fin into the fixed back stile locating one screw at both top and bottom (Fig 6-B).
10. Insert the outside handle bumper to the fixed panel. Locate it approximately 34" off the floor to be bumped by the Outside Handle (Fig. 7-C).



(Fig 6-A) MOUNTING LOCKING HANDLE



(Fig 6-B) SECURING FIXED PANEL TO JAMB



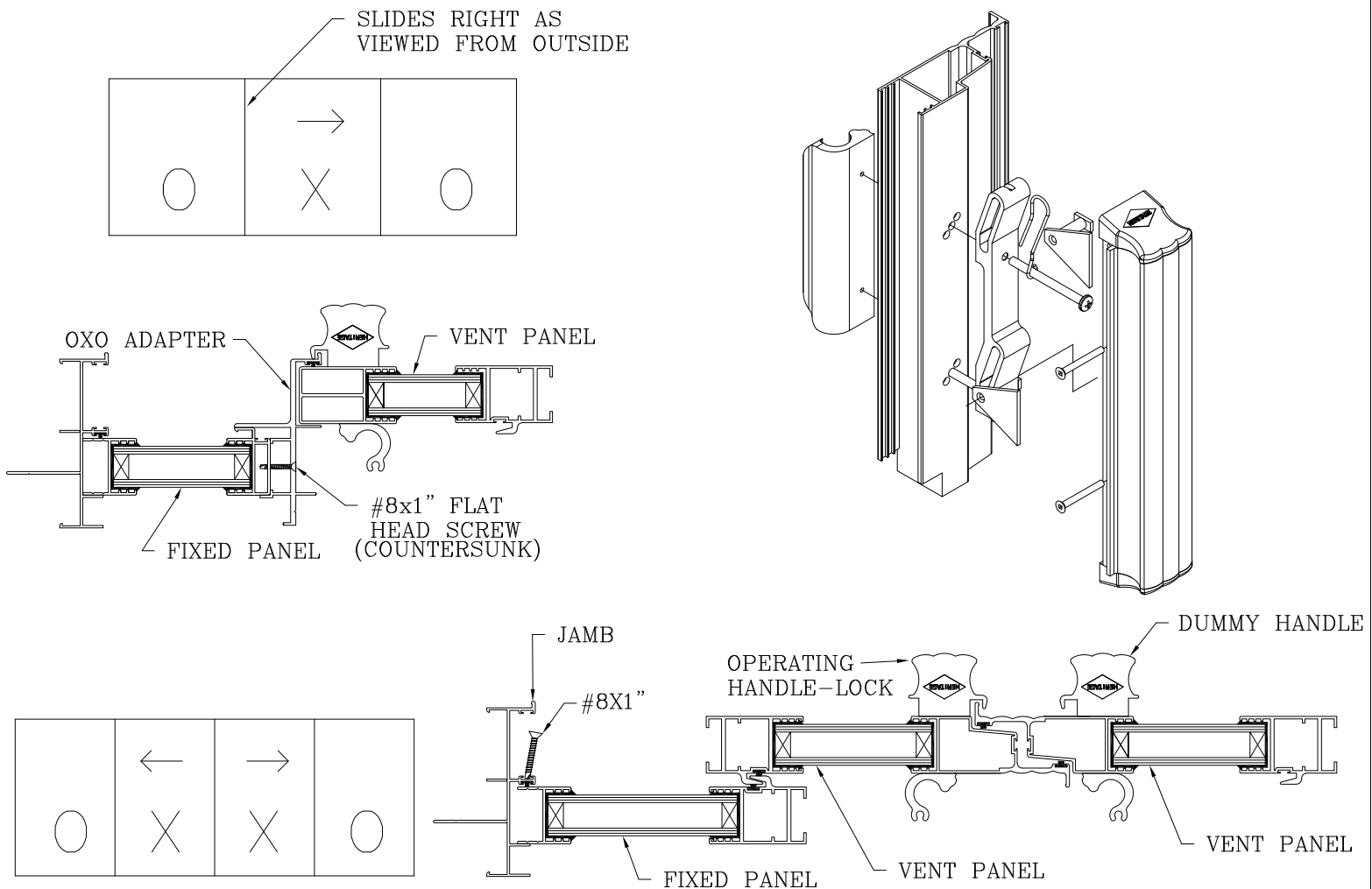
(Fig 7-C)



PANELS' INSTALLATION CONT.

12. OXO DOORS.: The vent panel is located in the center of the opening with a fixed panel on each side. Mount the OXO adapter (into which the vent panel closes) onto the adjacent fixed panel interlock stile with three equally spaced #8x1" self tapping screws through the adapter into the fixed stile in line with the plane of the glass. Remove the pre-notched sections of the adapter at the top to fit against the head according to the sliding direction. The order entry should indicate the sliding direction if the glass is tinted and/or low E.
13. OXXO DOORS : Two vent panels are located in the center of the opening with a fixed panel on each side. Engage two vent panels against each other. Push fixed panels toward channels in each jamb. When vent panels are engaged at the center and fix panels are interlocked to vents, push fix panels into jamb channels. Then run #8x1" flat head self tapping screw through the weatherstripping with a slight angle away from glass. Mount the carrier of locking handle from inside with screws provided through the pre-drilled holes in the center Vent panel lock stile into the outside handle. Position outside handle toward the other vent's grip wall. Fig. 7-A.

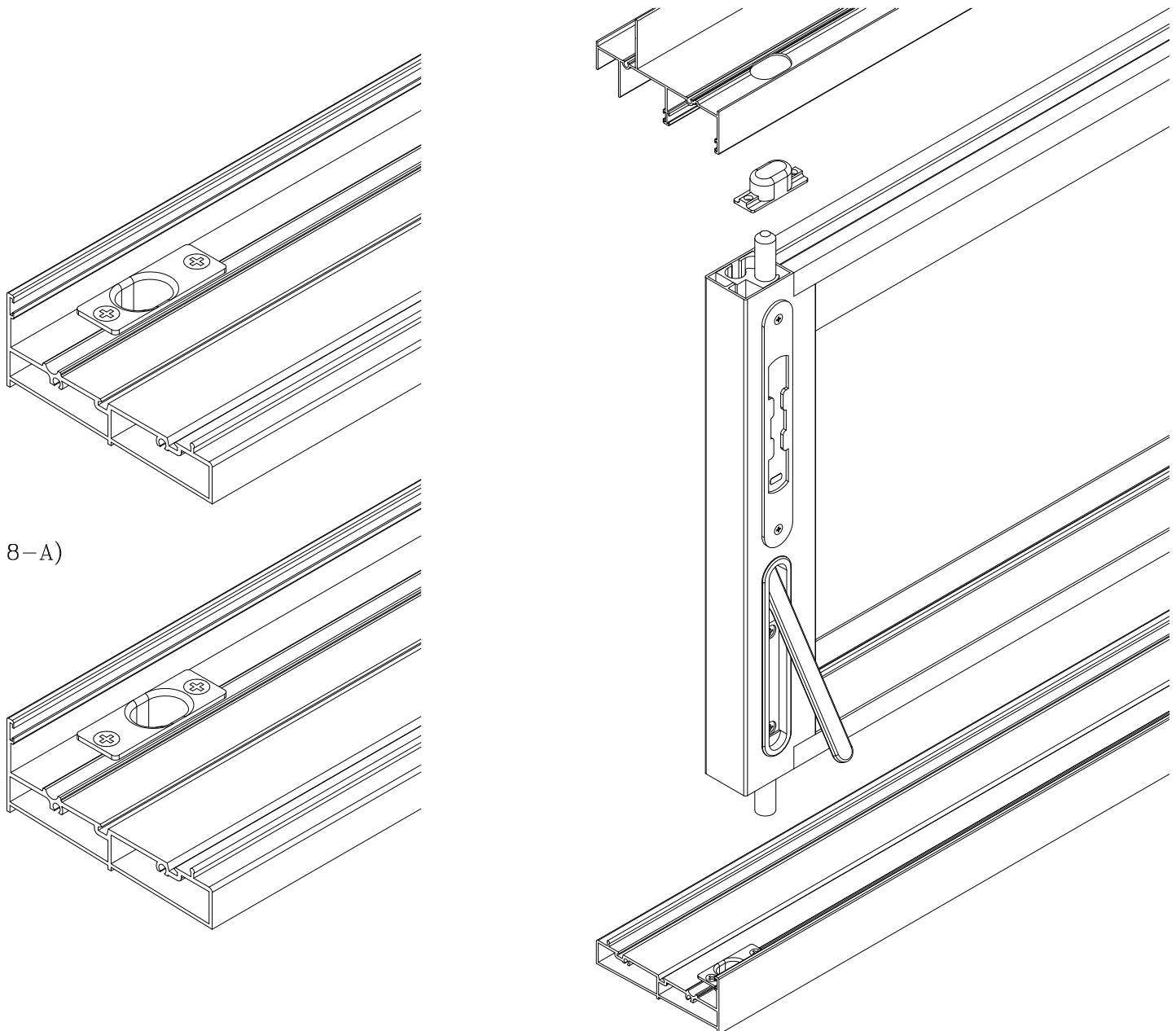
(Fig 7-A) MOUNTING CENTERLOCKING HANDLE





FLUSH MOUNT HANDLE

1. HERITAGE's proprietary flush mount handle and lock comes factory assembled.
2. The head and sill will have a keeper (receiver).
3. The keeper is a molded part. A tight engagement of the rod to this keeper will ensure that the panels will not move. Engage the lock stile to the jamb as close as possible. Throw the rods to sill and head. If they do not engage, do not force them. You need to adjust the lock keepers. Make sure that they engage to the sill hole snug against the sliding direction of the vent. P/N 160 keeper can be moved in either direction about 1/8". Its hole location is asymmetric and by reversing it will help you gain new location if it is not snug (Fig 8-A). After determining the exact location, run 2 ea. 326 screws.
4. Push the fixed panel toward the other jamb to interlock the panels against each other. Refer to page 6, item 9. (Fig 6-B)

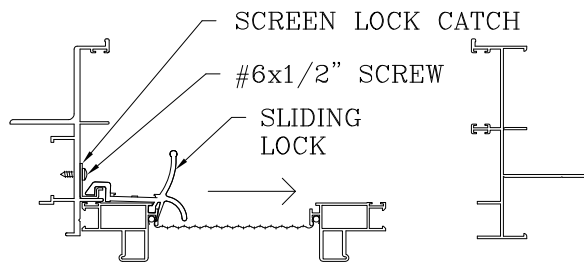


(Fig 8-A)

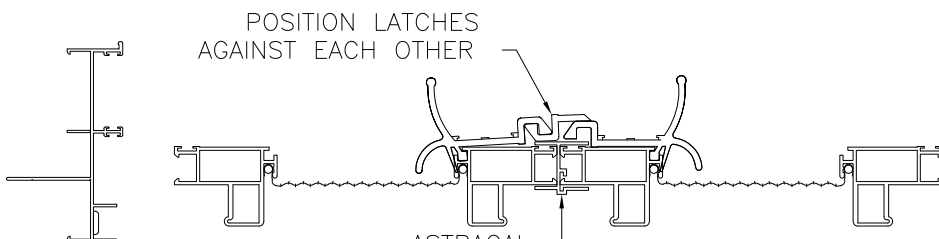
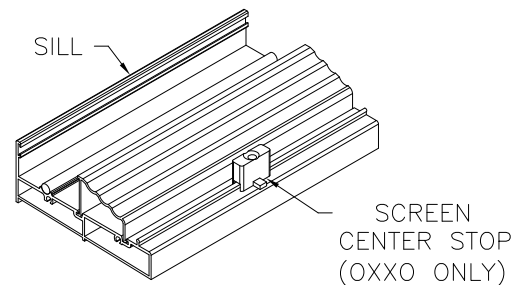
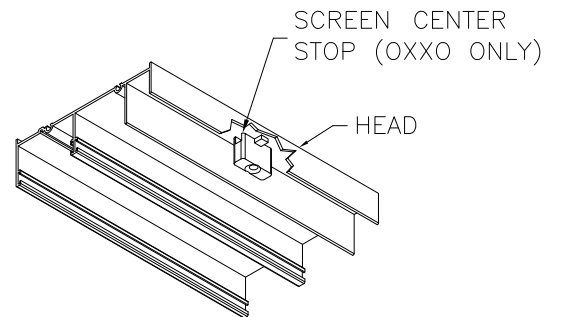


SCREEN

1. SCREEN INSTALLATION: Insert screen into outermost track in the frame head and place rollers onto the outermost track on the sill. Position the screen latch toward the jamb or OXO adapter. (In OXXO doors, position latches against each other. Position edges of screen back stiles along with glass panel edges. Install head stop first. In order to install sill stop, notch vinyl covered sill rail so that installation screw would bite. One of the screens has a metal astragal which can be slid 1/4" up and down.) Adjust four top and bottom rollers with Phillips screwdriver so that the screen rolls freely on the sill track and top rollers are fully extended into the head track. Mount two lock catches into the jamb with different spacing so that the sliding latch will engage them. Use #6x1/2" self tapping screws. The lock needs to be engaged to the catch manually.



OXO SCREEN PLACEMENT



OXXO SCREEN PLACEMENT