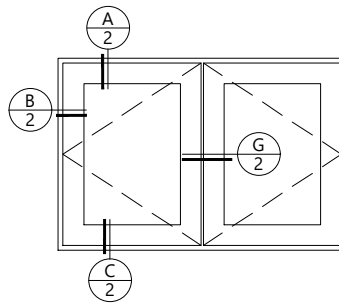
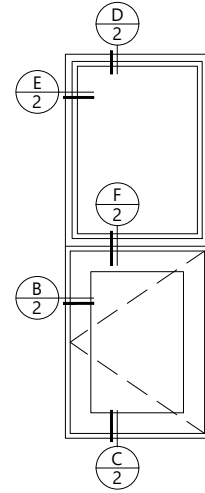


Single Casement



Twin Casement
 Integral Join



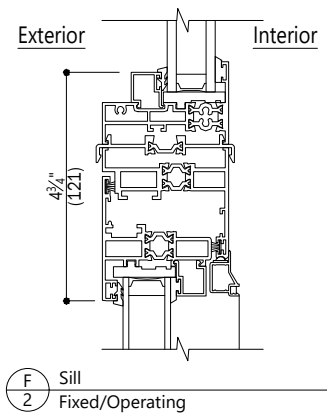
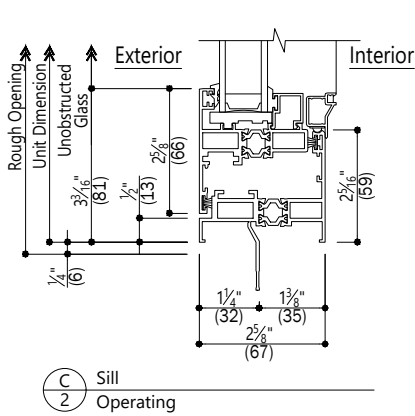
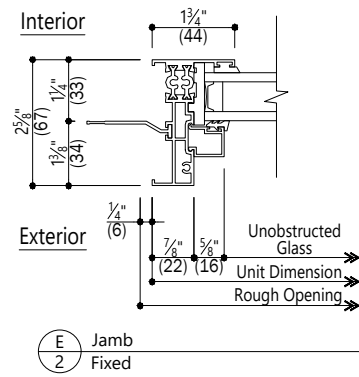
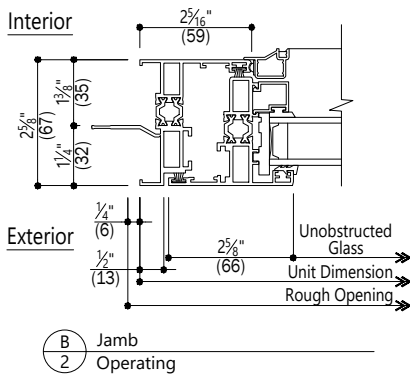
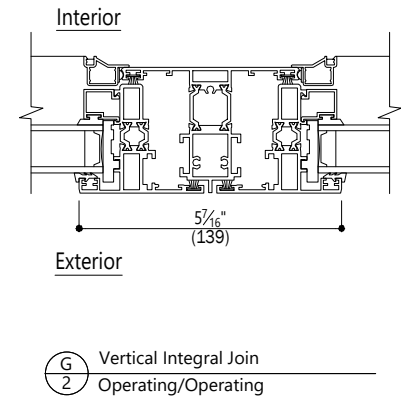
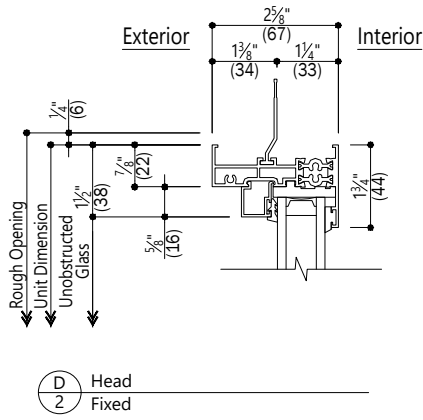
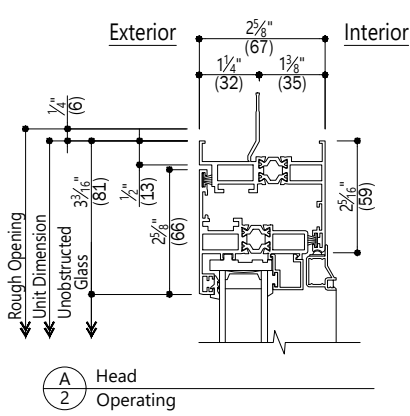
Stationary Over Casement
 Non-integral Join

Scale: 1/2" (13) = 1' (305)

Notes:

Details have been optimized for use in architectural software and do not match manufacturing specifications.
 Dimensions in parentheses are in millimeters.
 Andersen Windows, Inc. reserves the right to change drawing specifications without notice.

Date: 05/30/23

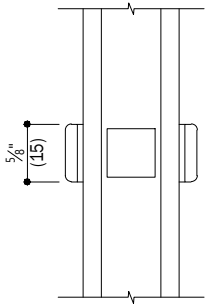


Scale: 3" (76) = 1' (305)

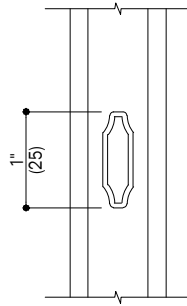
Notes:

Details have been optimized for use in architectural software and do not match manufacturing specifications. Dimensions in parentheses are in millimeters. Andersen Windows, Inc. reserves the right to change drawing specifications without notice.

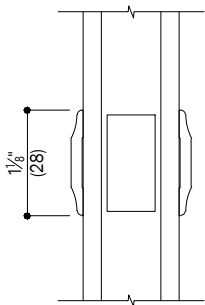
Date: 05/30/23



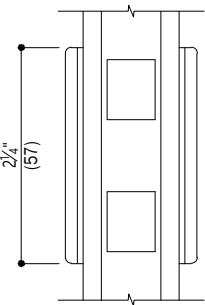
A
 3 5/8" Full Divided Light (Flat)



D
 3 1" Finelight (Contoured)



B
 3 1 1/8" Full Divided Light (Contoured)



C
 3 2 1/4" Full Divided Light (Flat Grille)

Scale: 6" (152) = 1' (305)

Notes:

Details have been optimized for use in architectural software and do not match manufacturing specifications.
 Dimensions in parentheses are in millimeters.
 Andersen Windows, Inc. reserves the right to change drawing specifications without notice.

Date: 05/30/23