



## ANDERSEN® A-SERIES WINDOW AND PATIO DOOR CUSTOM-SIZE MINIMUM & MAXIMUM DIMENSIONS

Casement Windows . . . . .	.2
Awning Windows . . . . .	.2
Double-Hung Windows . . . . .	.2
Picture Windows . . . . .	.3
Transom Windows . . . . .	.3
Gliding Patio Doors . . . . .	.4
Hinged Patio Doors . . . . .	5 - 6

For information on clear opening dimensions, visit [www.andersenwindows.com\clearopening](http://www.andersenwindows.com\clearopening).

For the most up-to-date version of this document go to [www.andersenwindows.com](http://www.andersenwindows.com).

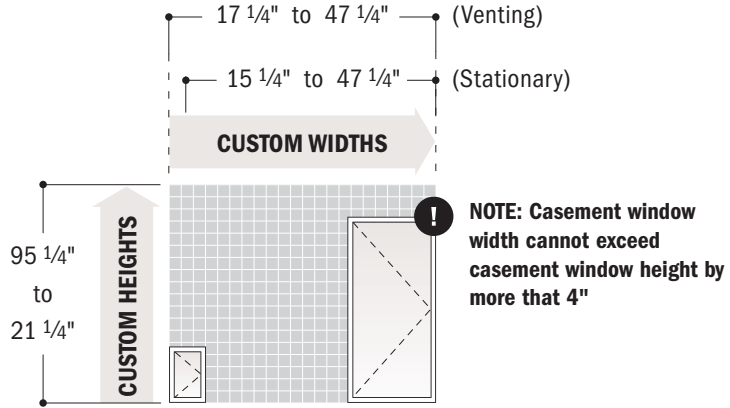
Custom-size minimum and maximum dimensions for windows and patio doors with Stormwatch® Protection are in publication 9055441 and online @ [www.andersenwindows.com](http://www.andersenwindows.com).

# CUSTOM-SIZE MINIMUMS & MAXIMUMS AVAILABLE IN 1/8" INCREMENTS

## Casement Windows

**Andersen® A-Series Casement Windows**

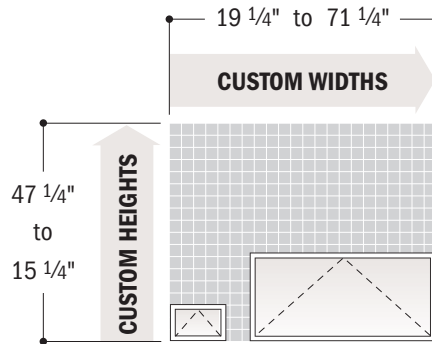
STATIONARY & VENTING



## Awning Windows

**Andersen® A-Series Awning Windows**

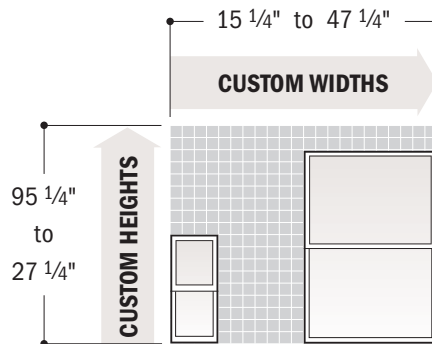
STATIONARY & VENTING



## Double-Hung Windows

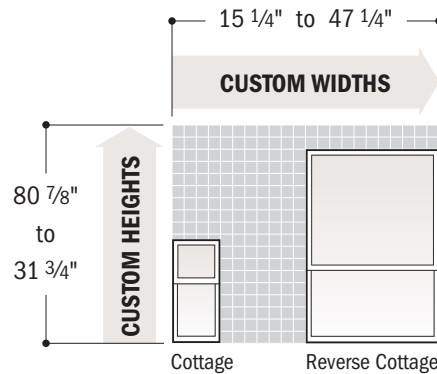
**Andersen® A-Series Double-Hung Windows**

EQUAL SASH



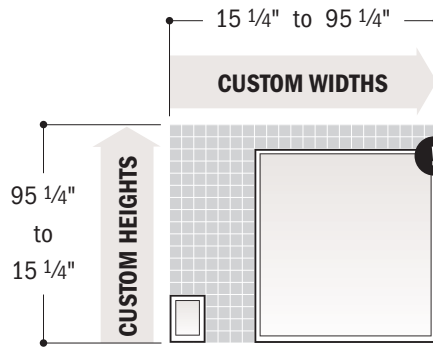
**Andersen® A-Series Double-Hung Windows**

COTTAGE SASH (2:3 Sash Ratio) & REVERSE COTTAGE SASH (3:2 Sash Ratio)



## Picture Windows

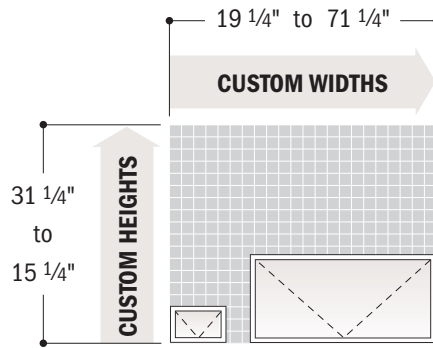
**Andersen® A-Series  
 Picture  
 Windows**



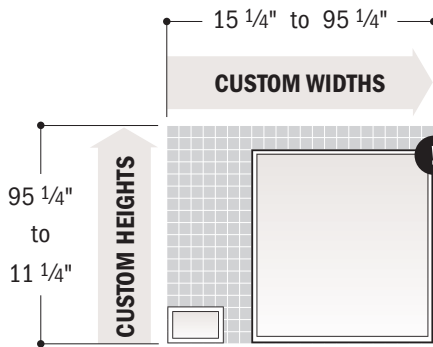
**Largest size available**  
 95 1/4" x 71 1/4"  
 or  
 71 1/4" x 95 1/4"

## Transom Windows

**Andersen® A-Series  
 Venting Transom  
 Windows**



**Andersen® A-Series  
 Fixed Transom  
 Windows**



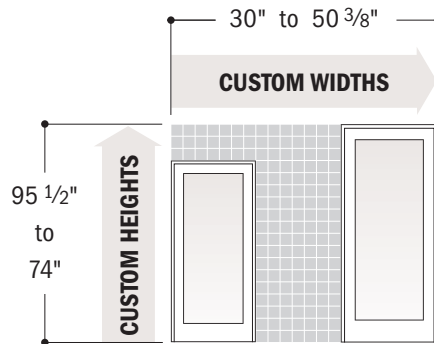
**Largest size available**  
 95 1/4" x 71 1/4"  
 or  
 71 1/4" x 95 1/4"

# CUSTOM-SIZE MINIMUMS & MAXIMUMS AVAILABLE IN 1/8" INCREMENTS

## Gliding Patio Doors

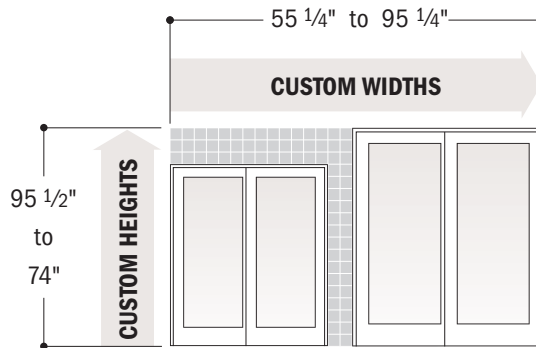
**Andersen® A-Series  
Frenchwood®  
Gliding Patio Doors**

SINGLE  
STATIONARY PANEL



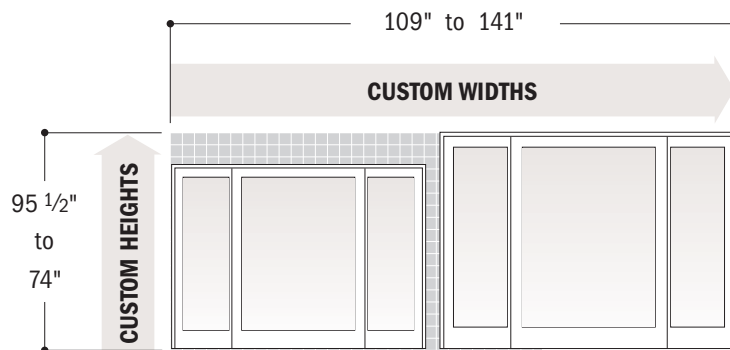
**Andersen® A-Series  
Frenchwood®  
Gliding Patio Doors**

2-PANEL



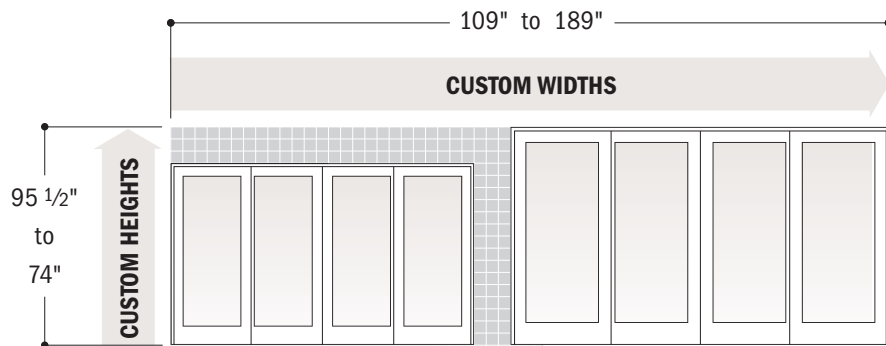
**Andersen® A-Series  
Frenchwood®  
Gliding Patio Doors**

3-PANEL



**Andersen® A-Series  
Frenchwood®  
Gliding Patio Doors**

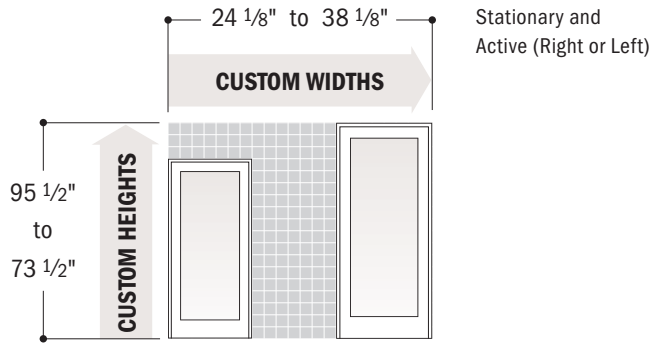
4-PANEL



## Hinged Patio Doors

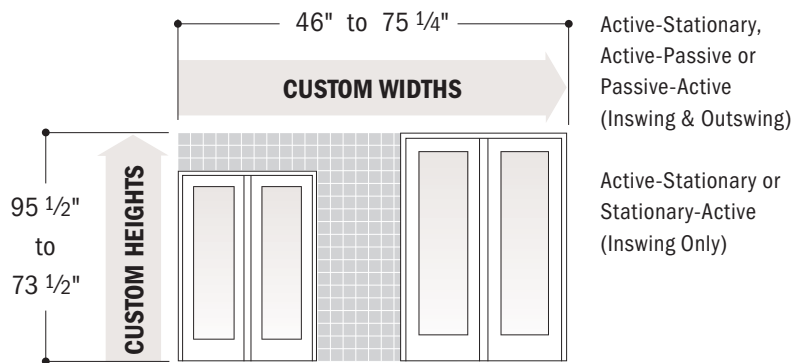
**Andersen® A-Series  
 Frenchwood®  
 Hinged Patio Doors  
 Inswing & Outswing**

SINGLE PANEL &  
 SINGLE STATIONARY  
 PANEL



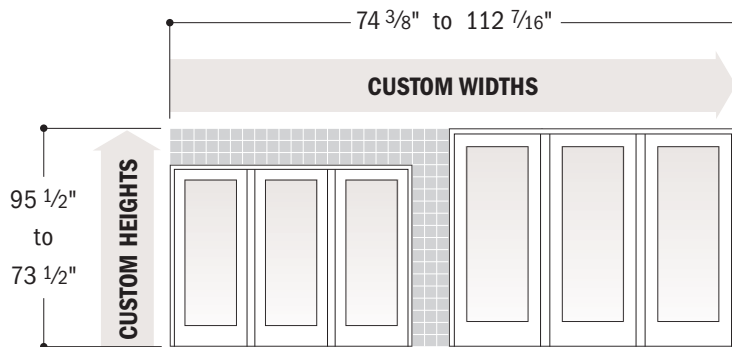
**Andersen® A-Series  
 Frenchwood®  
 Hinged Patio Doors  
 Inswing & Outswing**

2-PANEL



**Andersen® A-Series  
 Frenchwood®  
 Hinged Patio Doors  
 Inswing**

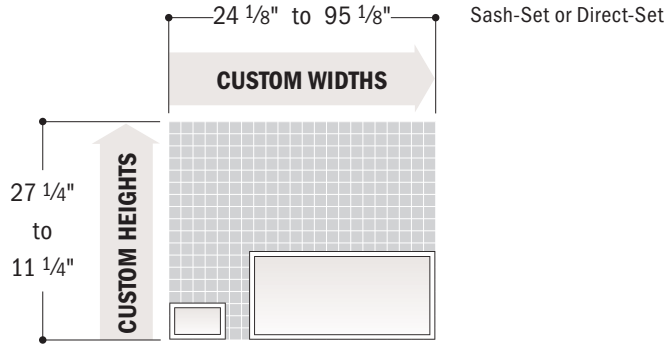
3-PANEL



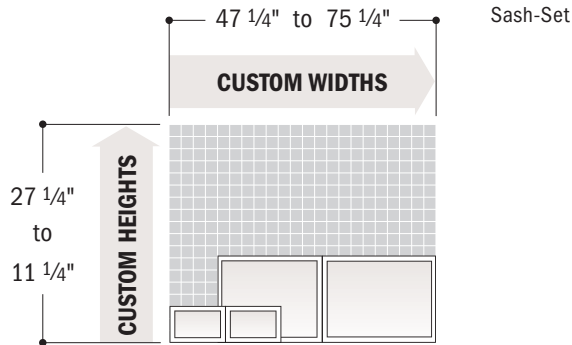
# CUSTOM-SIZE MINIMUMS & MAXIMUMS AVAILABLE IN 1/8" INCREMENTS

## Hinged Patio Doors (continued)

Andersen® A-Series  
Frenchwood®  
Patio Doors  
Transom  
SINGLE



Andersen® A-Series  
Frenchwood®  
Patio Doors  
Transom  
DOUBLE



Andersen® A-Series  
Frenchwood®  
Patio Doors  
Sidelight

