



## ANDERSEN® WINDOW & PATIO DOOR CUSTOM-SIZE MINIMUMS & MAXIMUMS

Custom-size minimum and maximum dimensions for **400, 200 & 100 Series** windows and patio doors.

Casement Windows . . . . .	2
Awning Windows . . . . .	2
Double-Hung Windows. . . . .	3
Single-Hung Windows . . . . .	5
Gliding Windows . . . . .	6
Picture Windows . . . . .	7
Transom Windows . . . . .	8
Gliding Patio Doors . . . . .	10
Hinged Patio Doors . . . . .	12

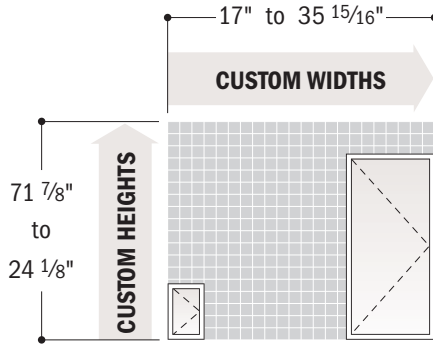
For information on clear opening dimensions, visit [www.andersenwindows.com\clearopening](http://www.andersenwindows.com\clearopening).

For the most up-to-date version of this document go to [www.andersenwindows.com](http://www.andersenwindows.com). Custom-size minimum and maximum size ranges for windows and doors with Stormwatch® Protection are not included in this publication. Contact your Andersen supplier for more information.

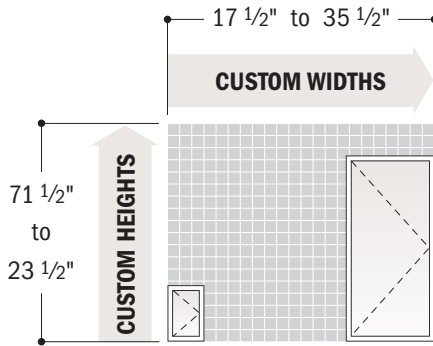
# CUSTOM-SIZE MINIMUMS & MAXIMUMS AVAILABLE IN 1/8" INCREMENTS

## Casement Windows

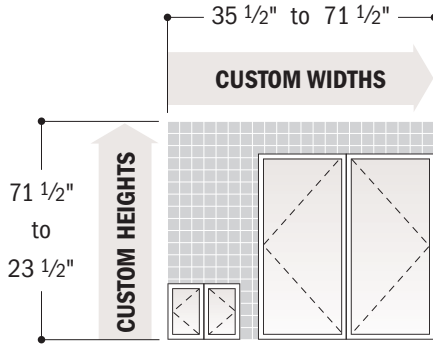
**Andersen® 400 Series Casement Windows**  
STATIONARY & VENTING



**Andersen 100 Series Casement Windows**  
STATIONARY & VENTING

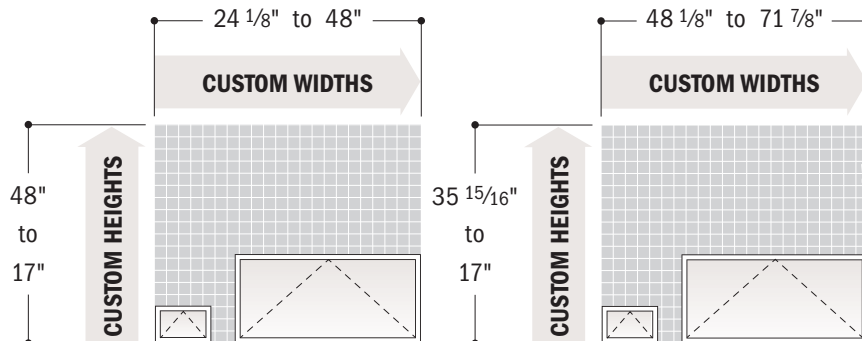


**Andersen 100 Series Casement Windows**  
DOUBLE-WIDE  
STATIONARY & VENTING



## Awning Windows

**Andersen 400 Series Awning Windows**  
VENTING

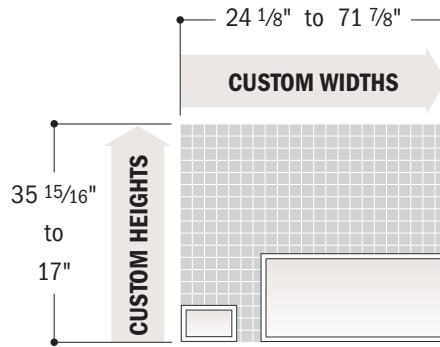


For information on clear opening dimensions, visit [www.andersenwindows.com/clearopening](http://www.andersenwindows.com/clearopening).  
For the most up-to-date version of this document go to [www.andersenwindows.com](http://www.andersenwindows.com).

## Awning Windows (continued)

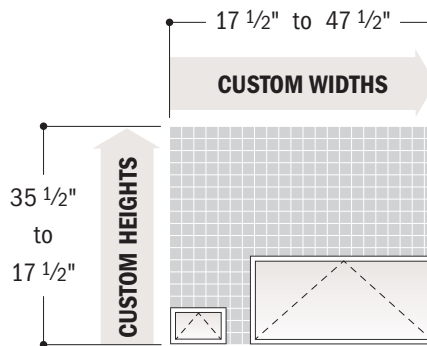
**Andersen 400 Series  
 Awning Windows**

STATIONARY



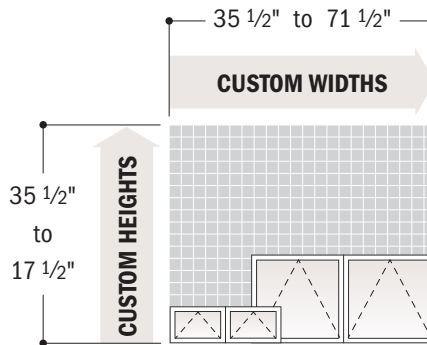
**Andersen® 100 Series  
 Awning Windows**

STATIONARY & VENTING



**Andersen 100 Series  
 Awning Windows**

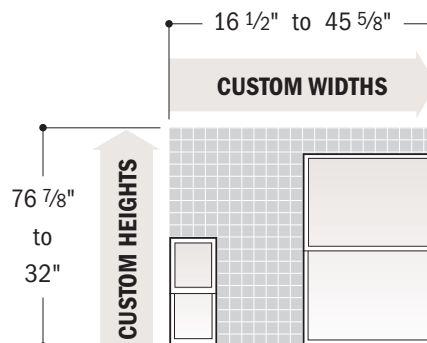
DOUBLE-WIDE  
 STATIONARY & VENTING



## Double-Hung Windows

**Andersen 400 Series  
 Woodwright®  
 Double-Hung  
 Full-Frame Windows**

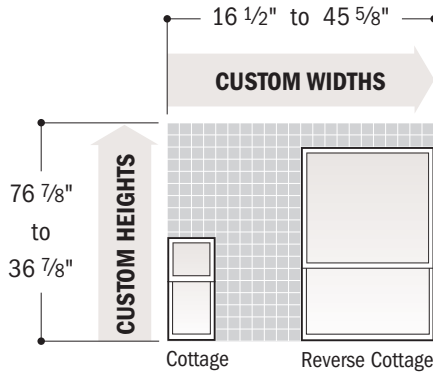
EQUAL SASH



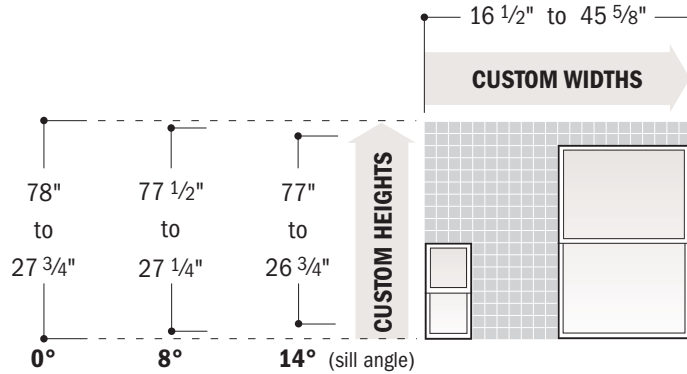
# CUSTOM-SIZE MINIMUMS & MAXIMUMS AVAILABLE IN 1/8" INCREMENTS

## Double-Hung Windows (continued)

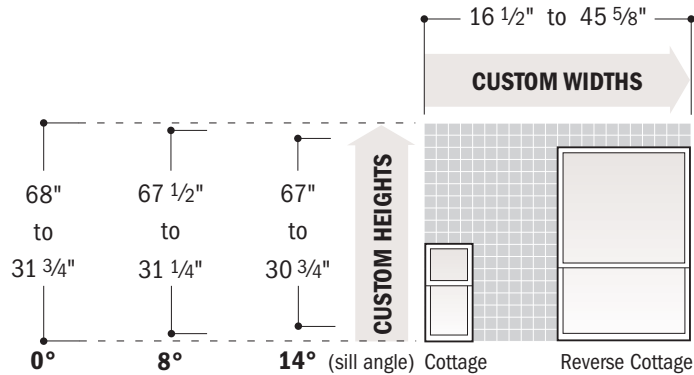
**Andersen 400 Series Woodwright Double-Hung Full-Frame Windows**  
COTTAGE & REVERSE COTTAGE SASH



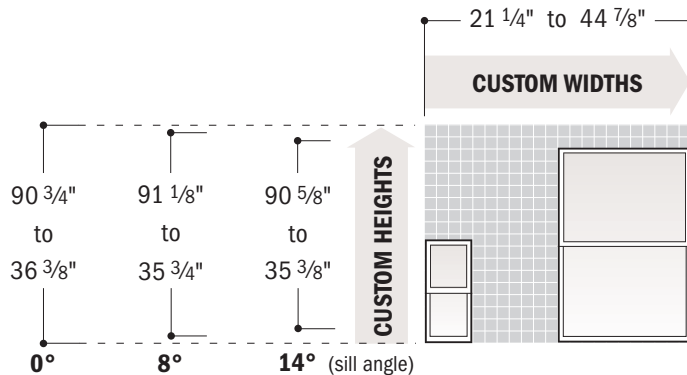
**Andersen® 400 Series Woodwright® Double-Hung Insert Windows**  
EQUAL SASH



**Andersen 400 Series Woodwright Double-Hung Insert Windows**  
COTTAGE & REVERSE COTTAGE SASH

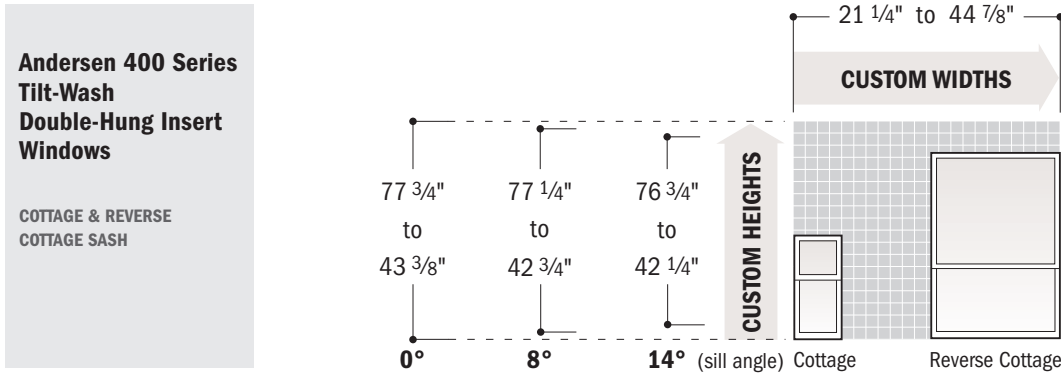


**Andersen 400 Series Tilt-Wash Double-Hung Insert Windows**  
EQUAL SASH

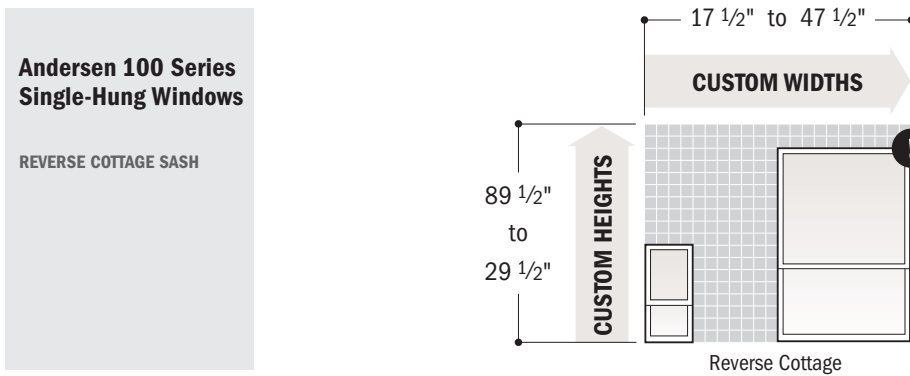
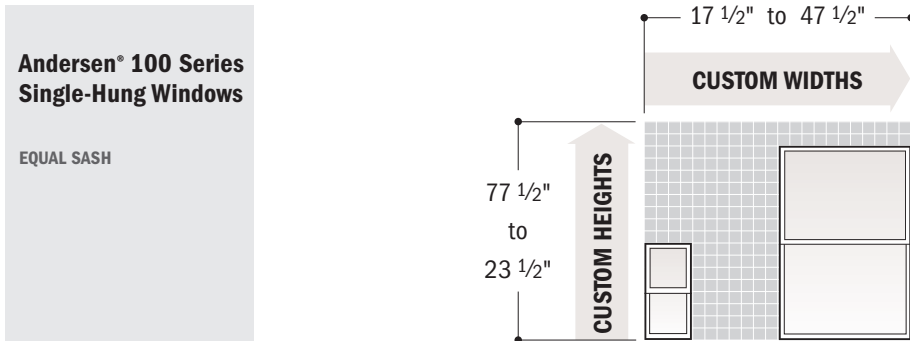


For information on clear opening dimensions, visit [www.andersenwindows.com/clearopening](http://www.andersenwindows.com/clearopening).  
For the most up-to-date version of this document go to [www.andersenwindows.com](http://www.andersenwindows.com).

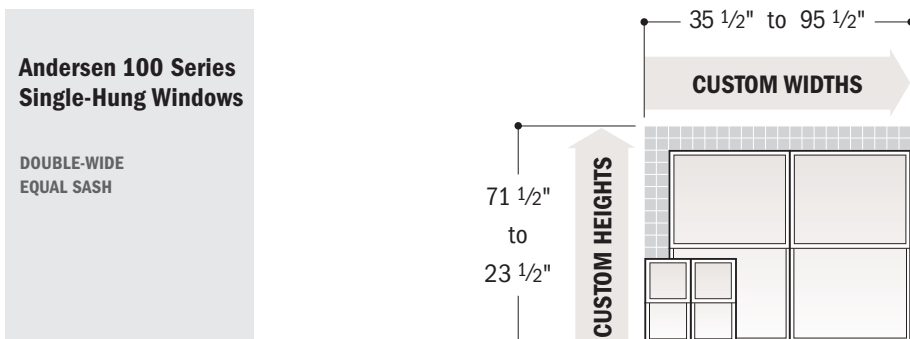
## Double-Hung Windows (continued)



## Single-Hung Windows



**!** Windows taller than 77 1/2" have a larger upper to lower sash ratio. See the 100 Series product guide for details.



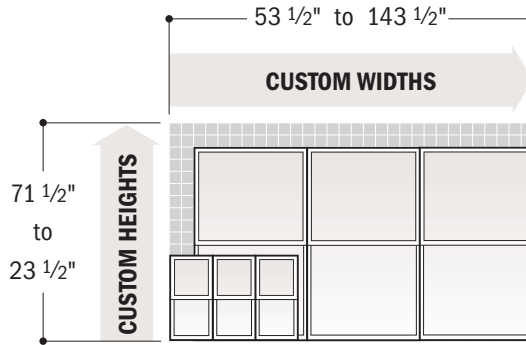
For information on clear opening dimensions, visit [www.andersenwindows.com/clearopening](http://www.andersenwindows.com/clearopening).  
For the most up-to-date version of this document go to [www.andersenwindows.com](http://www.andersenwindows.com).

# CUSTOM-SIZE MINIMUMS & MAXIMUMS AVAILABLE IN 1/8" INCREMENTS

## Single-Hung Windows (continued)

**Andersen 100 Series  
Single-Hung Windows**

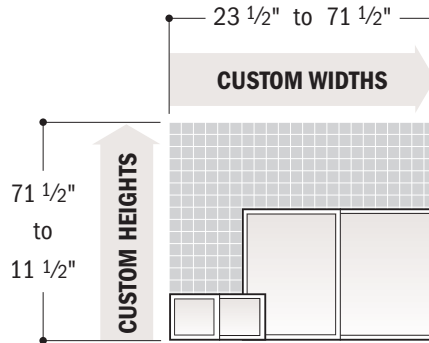
TRIPLE-WIDE  
EQUAL SASH



## Gliding Windows

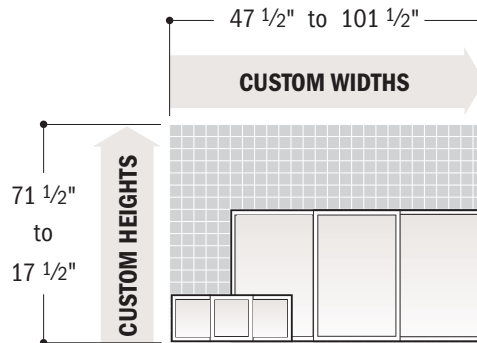
**Andersen® 100 Series  
Gliding Windows**

X0 & 0X



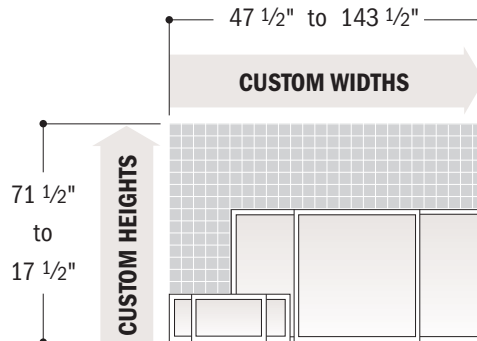
**Andersen 100 Series  
Gliding Windows**

X0X  
EQUAL SASH



**Andersen 100 Series  
Gliding Windows**

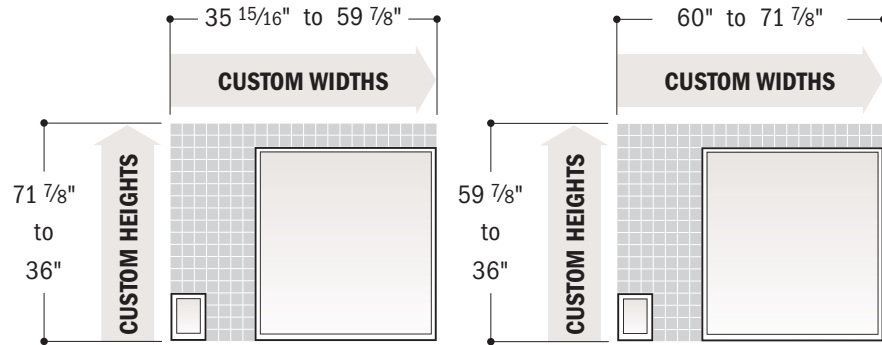
X0X  
1:2:1 SASH RATIO



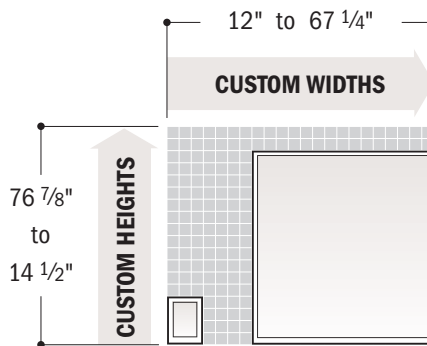
For information on clear opening dimensions, visit [www.andersenwindows.com/clearopening](http://www.andersenwindows.com/clearopening).  
For the most up-to-date version of this document go to [www.andersenwindows.com](http://www.andersenwindows.com).

## Picture Windows

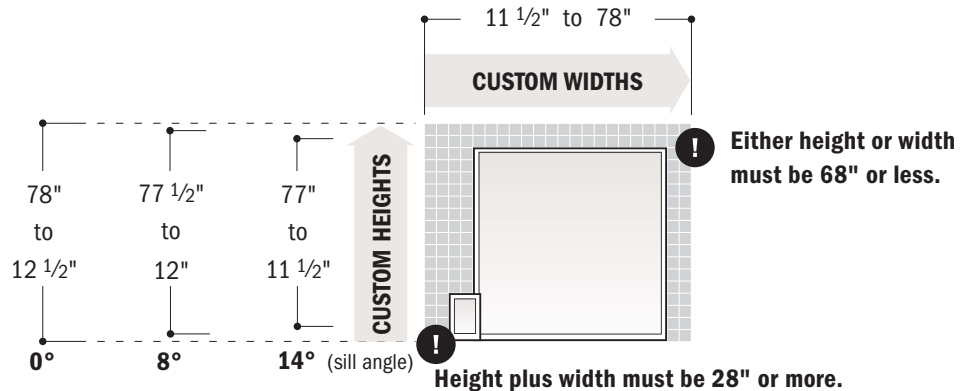
### Andersen 400 Series Casement/Awning Picture Windows



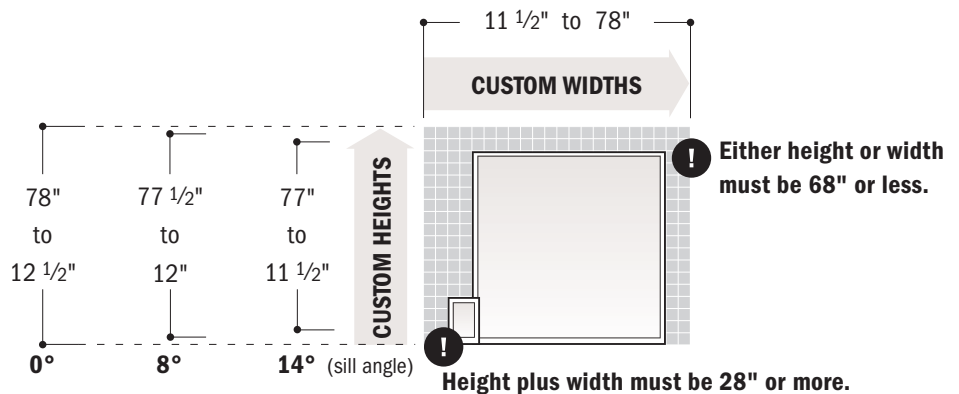
### Andersen® 400 Series Woodwright® Picture Full-Frame Windows



### Andersen 400 Series Woodwright Picture Insert Windows



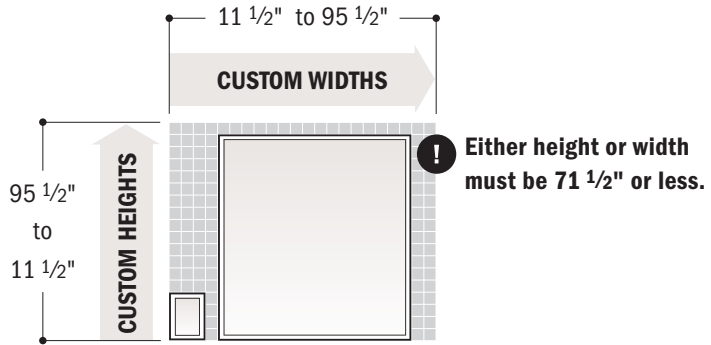
### Andersen 400 Series Tilt-Wash Picture Insert Windows



# CUSTOM-SIZE MINIMUMS & MAXIMUMS AVAILABLE IN 1/8" INCREMENTS

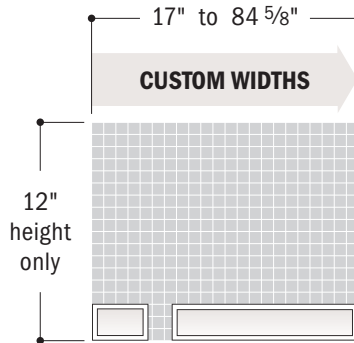
## Picture Windows (continued)

**Andersen 100 Series  
Picture/Transom  
Windows**

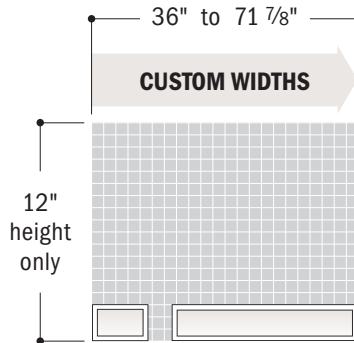


## Transom Windows

**Andersen® 400 Series  
Casement/Awning  
Transom Windows**



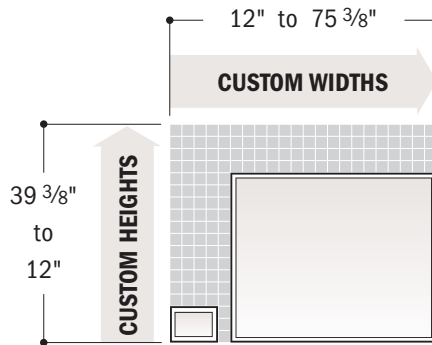
**Andersen® 400 Series  
Casement/Awning  
Picture Transom  
Windows**



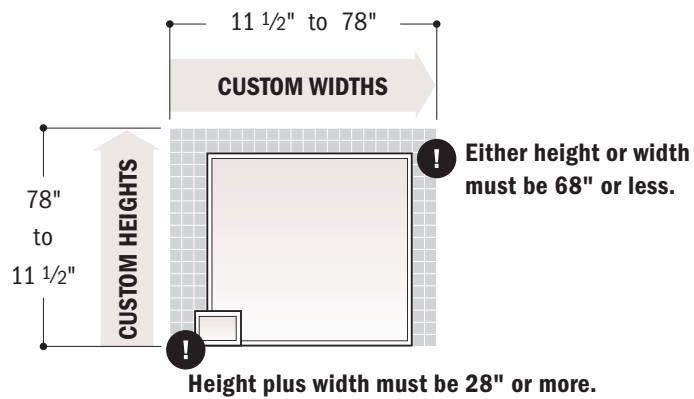


## Transom Windows (continued)

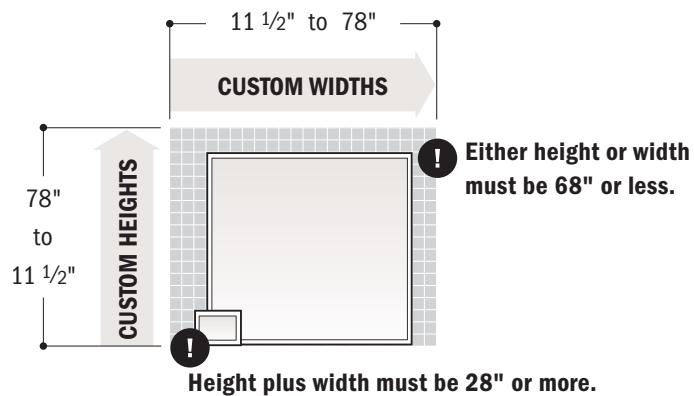
**Andersen 400 Series  
 Woodwright Transom  
 Full-Frame Windows**



**Andersen 400 Series  
 Woodwright Transom  
 Insert Windows**



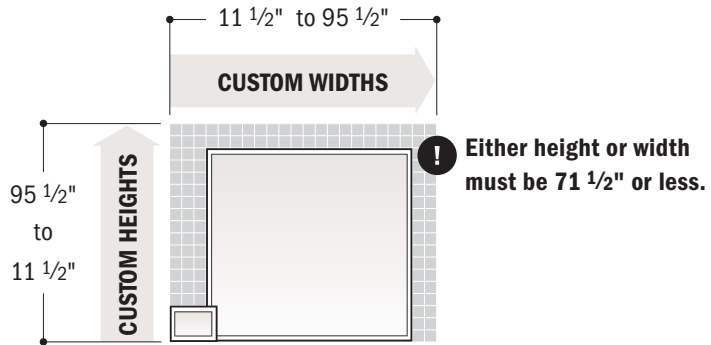
**Andersen 400 Series  
 Tilt-Wash Transom  
 Insert Windows**



# CUSTOM-SIZE MINIMUMS & MAXIMUMS AVAILABLE IN 1/8" INCREMENTS

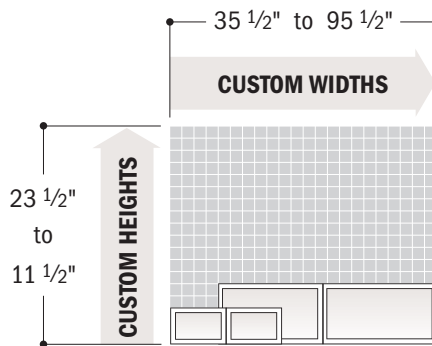
## Transom Windows (continued)

**Andersen® 100 Series  
Picture/Transom  
Windows**



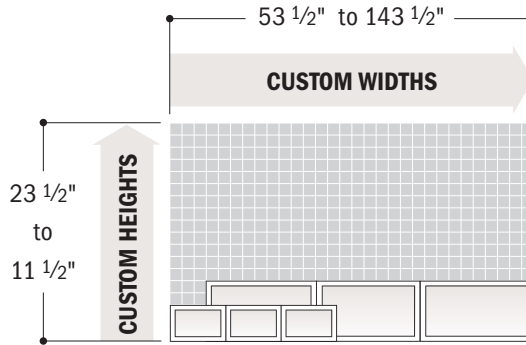
**Andersen 100 Series  
Transom Windows**

DOUBLE-WIDE



**Andersen 100 Series  
Transom Windows**

TRIPLE-WIDE

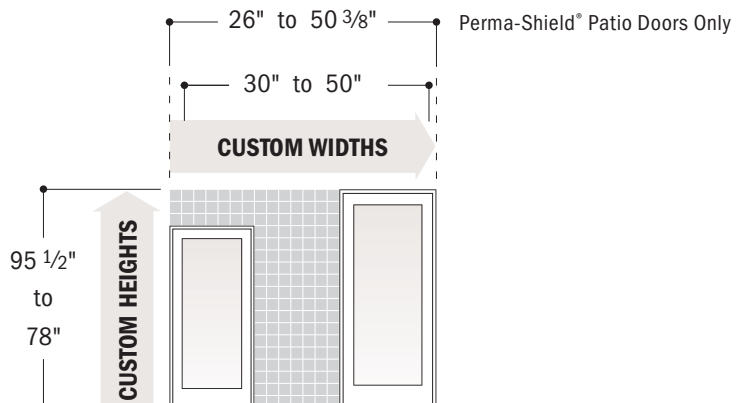


## Gliding Patio Doors

**Single Stationary  
Panel**

ANDERSEN 400 SERIES  
FRENCHWOOD® GLIDING PATIO  
DOORS

ANDERSEN 200 SERIES  
NARROLINE® & PERMA-SHIELD®  
GLIDING PATIO DOORS

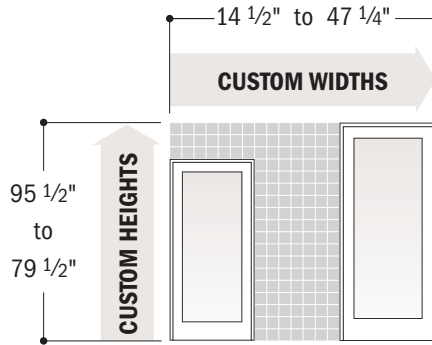


For information on clear opening dimensions, visit [www.andersenwindows.com/clearopening](http://www.andersenwindows.com/clearopening).  
For the most up-to-date version of this document go to [www.andersenwindows.com](http://www.andersenwindows.com).

## Gliding Patio Doors (continued)

**Single Stationary Panel (Sidelight)**

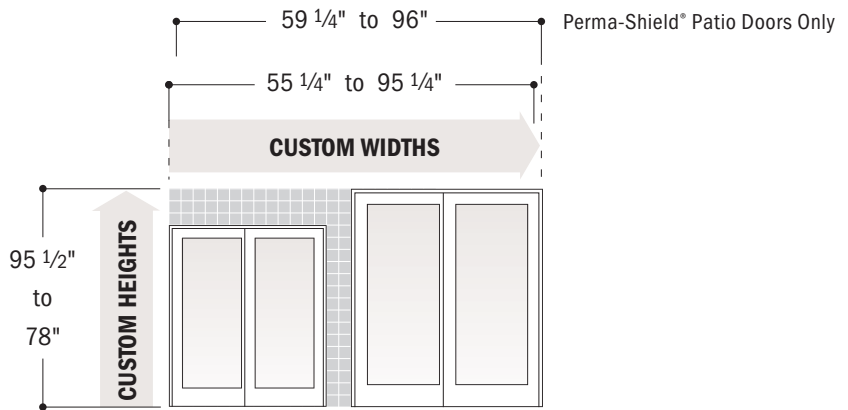
ANDERSEN® 100 SERIES  
 GLIDING PATIO DOORS  
 (SIDELIGHT)



**2-Panel**

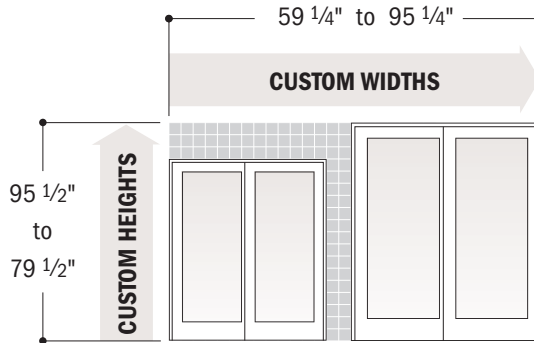
ANDERSEN 400 SERIES  
 FRENCHWOOD® GLIDING PATIO  
 DOORS

ANDERSEN 200 SERIES  
 NARROLINE® & PERMA-SHIELD®  
 GLIDING PATIO DOORS



**2-Panel**

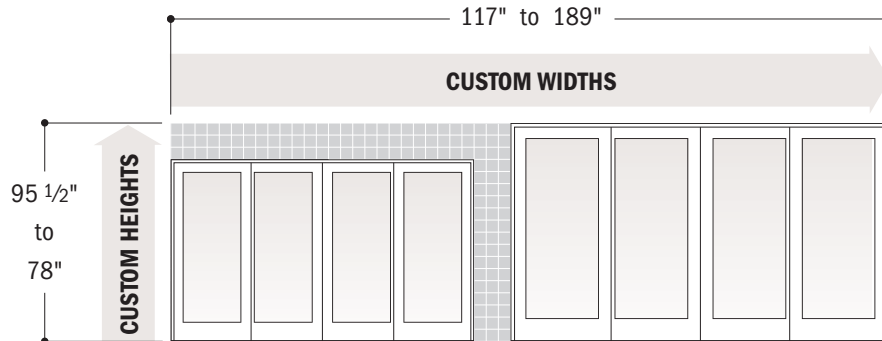
ANDERSEN 100 SERIES  
 GLIDING PATIO DOORS



**4-Panel**

ANDERSEN 400 SERIES  
 FRENCHWOOD GLIDING  
 PATIO DOORS

ANDERSEN 200 SERIES  
 NARROLINE GLIDING PATIO  
 DOORS

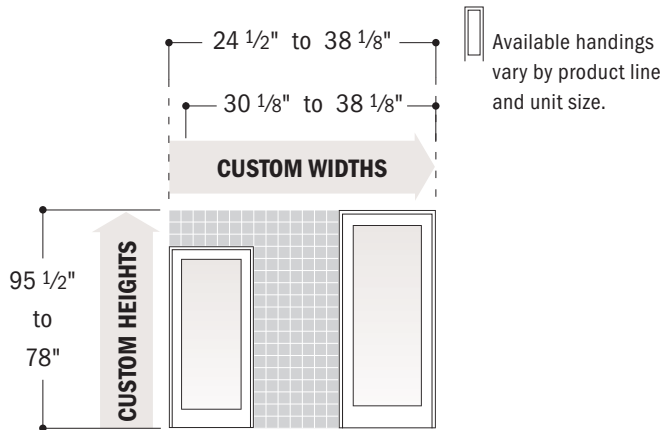


# CUSTOM-SIZE MINIMUMS & MAXIMUMS AVAILABLE IN 1/8" INCREMENTS

## Hinged Patio Doors

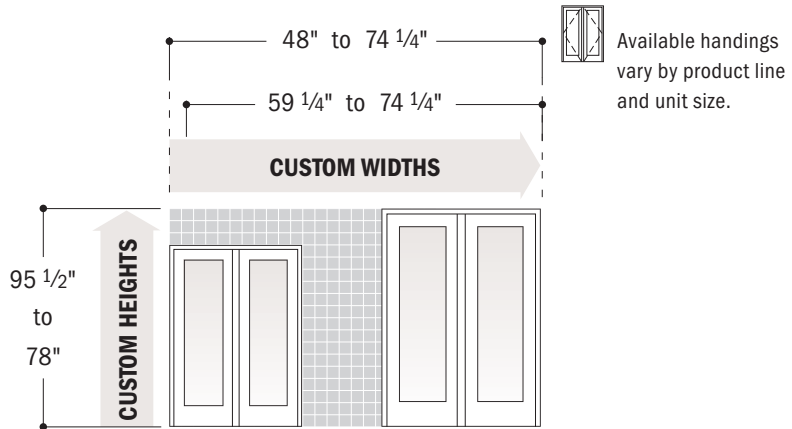
**Single Panel & Single Stationary Panel**

ANDERSEN® 400 SERIES FRENCHWOOD® INSWING & OUTSWING PATIO DOORS



**2-Panel**

ANDERSEN 400 SERIES FRENCHWOOD INSWING & OUTSWING PATIO DOORS



**3-Panel**

ANDERSEN 400 SERIES FRENCHWOOD INSWING PATIO DOORS

