

Roller Replacement Instructions for:

- **Product Series** - Big Doors
- **Product Type** - MultiGlide™ Door

Read these instructions and the Product Safety Information before starting procedure.

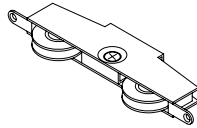
Parts Included



(2) - #8 x 1"
Phillips Head
Screw



(2) - Roller
Assembly Spacer
(On-Floor Drainage Sill Only)

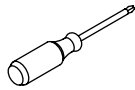


(1) - Roller
Assembly

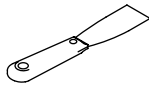
Tools and Supplies Needed



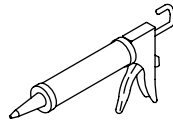
Safety
Glasses



#2 Phillips Head
Screwdriver



Thin Blade
Putty Knife



Caulk Gun
and Sealant

Safety Information

WARNING

- Windows and doors can be heavy. Use safe lifting techniques and a reasonable number of people with enough strength to lift, carry, and install window and door products. Heavier windows and doors will require mechanical assistance. Failure to do so could result in injury, product or property damage.

WARNING

- Windows and doors have small parts (e.g. hole plugs, operator spline caps, fasteners, etc.). Small parts if swallowed could pose a choking hazard to young children. Dispose of unused, loose, or easily removed small parts. Failure to do so could result in injury.

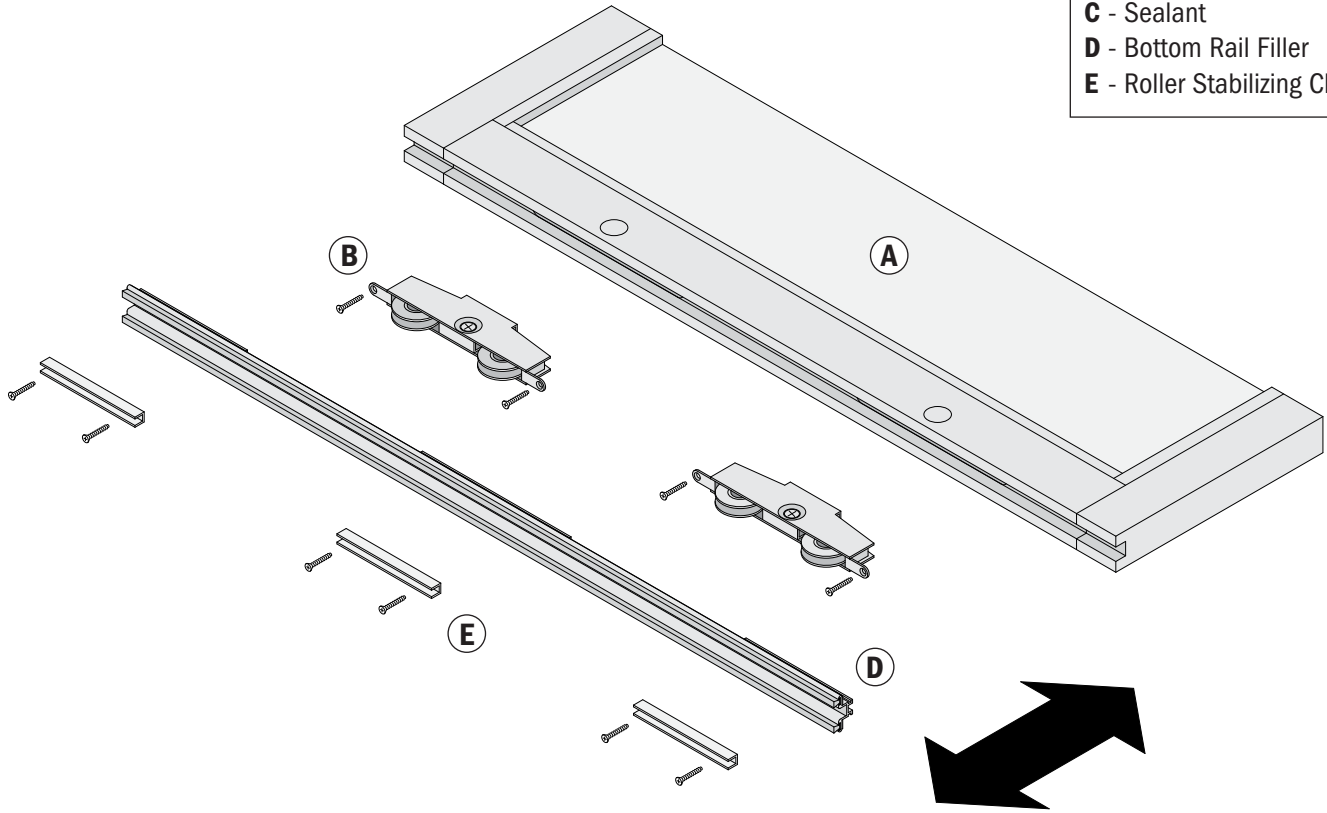
WARNING

- Follow manufacturers' instructions for hand and power tools. Always wear safety glasses. Failure to do so could result in injury, product or property damage.

Thank you for choosing Andersen.

With Flush Sill

- A - Door Panel
- B - Roller Assembly
- C - Sealant
- D - Bottom Rail Filler
- E - Roller Stabilizing Clips



1. Remove the panel with the damaged roller.
2. Remove the roller stabilizing clips and save for reuse.
3. Remove the bottom rail filler and save for reuse
4. Remove the damaged roller assembly and dispose of properly.
5. Position and fasten the new roller assembly.
6. Remove adhesive tape residue from the bottom rail filler and bottom of panel. (Fig. 1)
7. Apply two (2) 1/8" beads of sealant, full length to the bottom rail filler. (Fig. 2)
8. Reposition the bottom rail filler and fasten.
9. Reattach the roller stabilizing clips and fasten.
10. Reinstall the Panel.

Roller replacement is complete.

Fig. 1

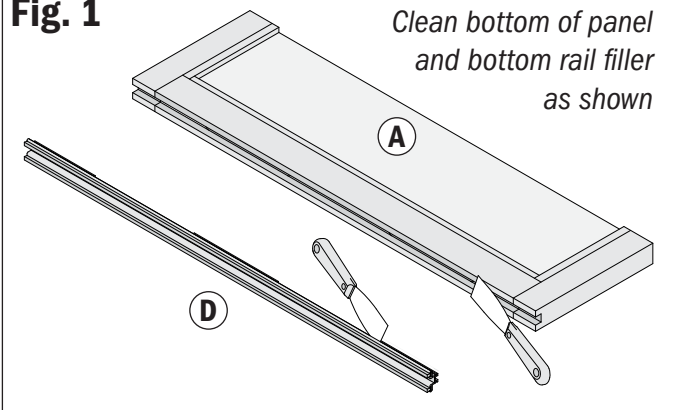
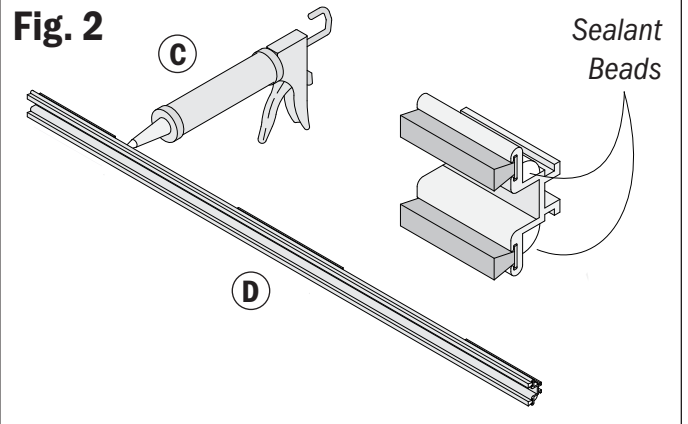
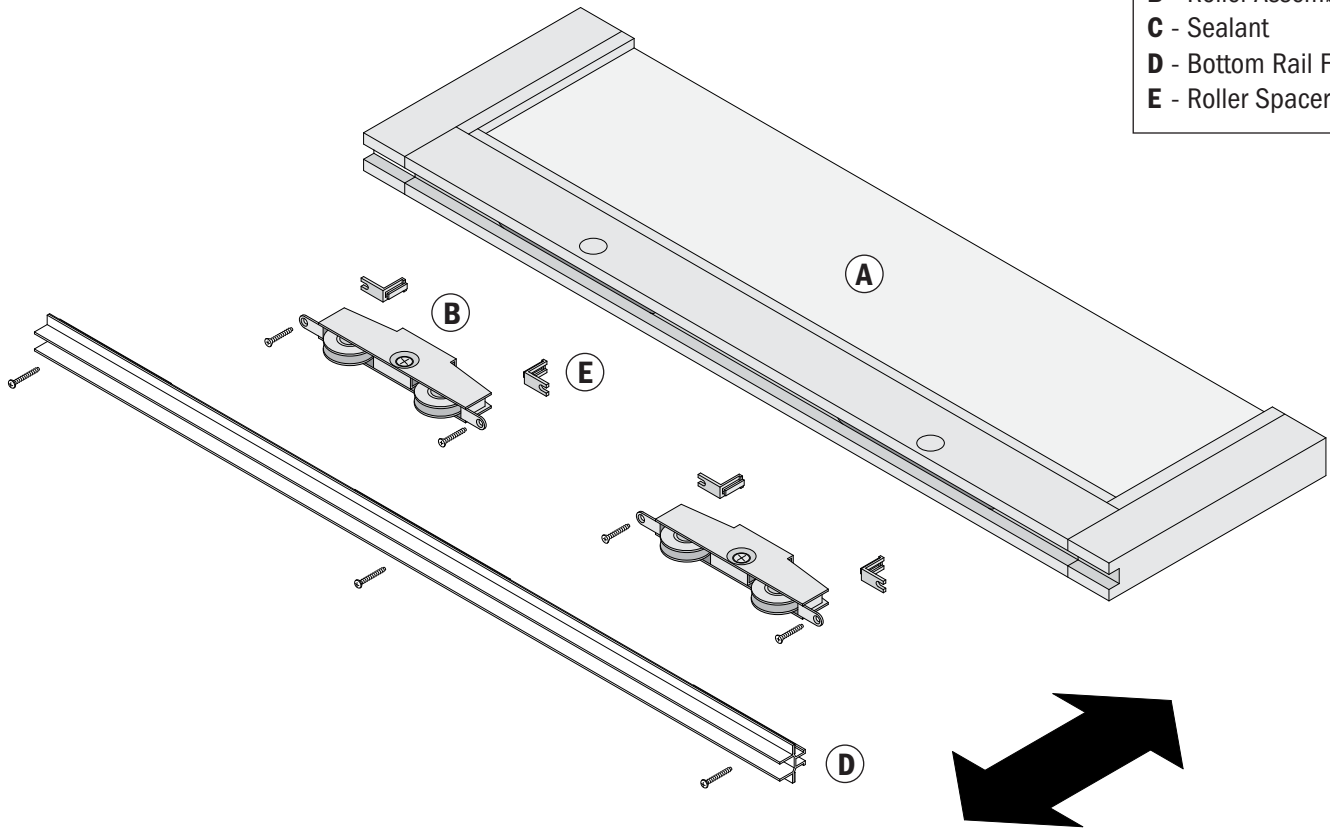


Fig. 2



With On-Floor Drainage Sill

- A** - Door Panel
- B** - Roller Assembly
- C** - Sealant
- D** - Bottom Rail Filler
- E** - Roller Spacers



1. Remove the panel with the damaged roller.
 2. Remove the bottom rail filler and save for reuse.
 3. Remove the damaged roller assembly and dispose of properly.
 4. Position the roller spacers on the new roller assembly. (Fig. 1)
 5. Position and fasten the new roller assembly.
 6. Remove adhesive tape residue from the bottom rail filler and bottom of panel. (Fig. 2)
 7. Apply two (2) 1/8" beads of sealant, full length to the bottom rail filler. (Fig. 3)
 8. Reposition the bottom rail filler and fasten.
 9. Reinstall the panel.
- Roller replacement is complete.*

