



DEPARTMENT OF REGULATORY AND ECONOMIC RESOURCES (RER)  
BOARD AND CODE ADMINISTRATION DIVISION

MIAMI-DADE COUNTY  
PRODUCT CONTROL SECTION  
11805 SW 26 Street, Room 208  
T (786) 315-2590 F (786) 315-2599

[www.miamidade.gov/economy](http://www.miamidade.gov/economy)

**NOTICE OF ACCEPTANCE (NOA)**

Andersen Corporation  
100 Fourth Avenue North  
Bayport, MN 55003

**SCOPE:**

This NOA is being issued under the applicable rules and regulations governing the use of construction materials. The documentation submitted has been reviewed and accepted by Miami-Dade County RER - Product Control Section to be used in Miami Dade County and other areas where allowed by the Authority Having Jurisdiction (AHJ).

This NOA shall not be valid after the expiration date stated below. The Miami-Dade County Product Control Section (In Miami Dade County) and/or the AHJ (in areas other than Miami Dade County) reserve the right to have this product or material tested for quality assurance purposes. If this product or material fails to perform in the accepted manner, the manufacturer will incur the expense of such testing and the AHJ may immediately revoke, modify, or suspend the use of such product or material within their jurisdiction. RER reserves the right to revoke this acceptance, if it is determined by Miami-Dade County Product Control Section that this product or material fails to meet the requirements of the applicable building code.

This product is approved as described herein, and has been designed to comply with the Florida Building Code, including the High Velocity Hurricane Zone.

**DESCRIPTION: 4-9/16" & 6-9/16" Laminated Veneered Lumber (LVL) Clipped Wood Mullion – L.M.I.**

**APPROVAL DOCUMENT:** Drawing No. **M05-01**, titled "Laminated Veneered Lumber Mullion System" Sheets 1 through 12, 12.1 and 13 of 13, dated 08/15/05, with revision D dated 05/13/13, prepared by Al-Farooq Corporation, signed and sealed by Javad Ahmad, P.E., bearing the Miami-Dade County Product Control Revision stamp with the Notice of Acceptance number and expiration date by the Miami-Dade County Product Control Section.

**MISSILE IMPACT RATING: Large and Small Missile Impact Resistant**

**LABELING:** Each unit shall bear a permanent label with the manufacturer's name or logo, city, state, model/series, and following statement: "Miami-Dade County Product Control Approved", unless otherwise noted herein.

**RENEWAL** of this NOA shall be considered after a renewal application has been filed and there has been no change in the applicable building code negatively affecting the performance of this product.

**TERMINATION** of this NOA will occur after the expiration date or if there has been a revision or change in the materials, use, and/or manufacture of the product or process. Misuse of this NOA as an endorsement of any product, for sales, advertising or any other purposes shall automatically terminate this NOA. Failure to comply with any section of this NOA shall be cause for termination and removal of NOA.

**ADVERTISEMENT:** The NOA number preceded by the words Miami-Dade County, Florida, and followed by the expiration date may be displayed in advertising literature. If any portion of the NOA is displayed, then it shall be done in its entirety.

**INSPECTION:** A copy of this entire NOA shall be provided to the user by the manufacturer or its distributors and shall be available for inspection at the job site at the request of the Building Official.

This NOA revises NOA# 12-0308.29 and consists of this page 1 and evidence page E-1, as well as approval document mentioned above.

The submitted documentation was reviewed by **Manuel Perez, P.E.**



*WP*  
7/6/13/13

NOA No. 13-0411.01  
Expiration Date: December 20, 2017  
Approval Date: June 20, 2013  
Page 1

Andersen Corporation

NOTICE OF ACCEPTANCE: EVIDENCE SUBMITTED

**A. DRAWINGS**

1. Manufacturer's die drawings and sections.
2. Drawing No. **M05-01**, titled "Laminated Veneered Lumber Mullion System" Sheets 1 through 12. 12.1 and 13 of 13, dated 08/15/05, with revision D dated 05/13/13, prepared by Al-Farooq Corporation, signed and sealed by Javad Ahmad, P.E.

**B. TESTS**

1. Test reports on: 1) Uniform Static Air Pressure Test, Loading per FBC TAS 202-94  
2) Large Missile Impact Test per FBC, TAS 201-94  
3) Cyclic Wind Pressure Loading per FBC, TAS 203-94  
along with marked-up drawings and installation diagram of six LVL structural mulled assemblies,(per Testing Proposal #06-0072), prepared by Architectural Testing, Inc. Test Report No. **ATI-65617.01-201-18**, dated 11/29/06, signed and sealed by Joseph A. Reed, P.E.  
*(Submitted under previous NOA #07-1025.08)*

**C. CALCULATIONS**

1. Anchor verification calculations and structural analysis, complying with FBC-2007, dated 04/09/10 and revised on 11/14/12, prepared, signed and sealed by Javad Ahmad, P.E.  
*(Submitted partially under previous NOA#10-0616.01)*
2. Glazing complies with ASTM E1300-04

**D. QUALITY ASSURANCE**

1. Miami-Dade Department of Regulatory and Economic Resources (RER)

**E. MATERIAL CERTIFICATIONS**

1. None.

**F. STATEMENTS**

1. Statement letter of conformance, complying with FBC-2010, and of no financial interest, dated September 19, 2012, signed and sealed by Javad Ahmad, P.E.

**G. OTHERS**

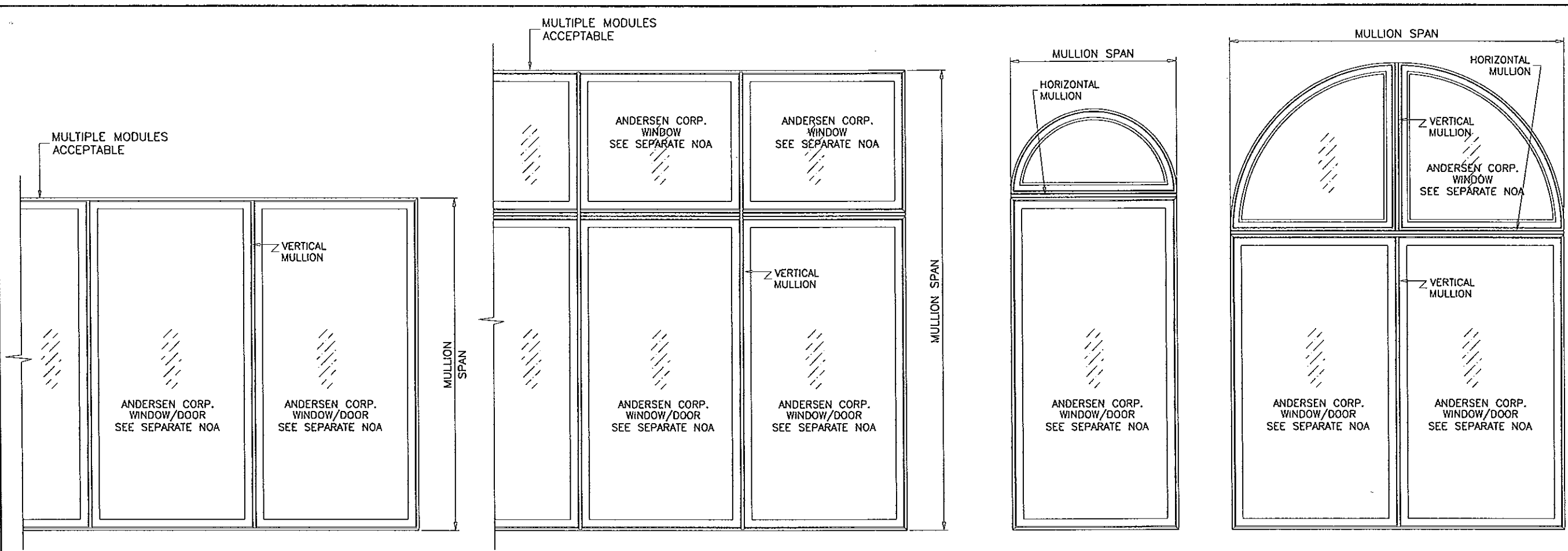
1. Notice of Acceptance No. **12-0308.29**, issued to Andersen Corporation for their 4-9/16" & 6-9/16" Laminated Veneered Lumber (LVL) Clipped Wood Mullion System – L.M.I., approved on 05/17/12 and expiring on 12/20/17.

  
Manuel Perez, P.E.

Product Control Examiner  
NOA No. 13-0411.01

Expiration Date: December 20, 2017

Approval Date: June 20, 2013



MULLION SYSTEM IS RATED FOR LARGE & SMALL MISSILE IMPACT. AND CAN BE USED WITH ALL MIAMI-DADE COUNTY APPROVED IMPACT AND NON-IMPACT RESISTANT PRODUCTS.

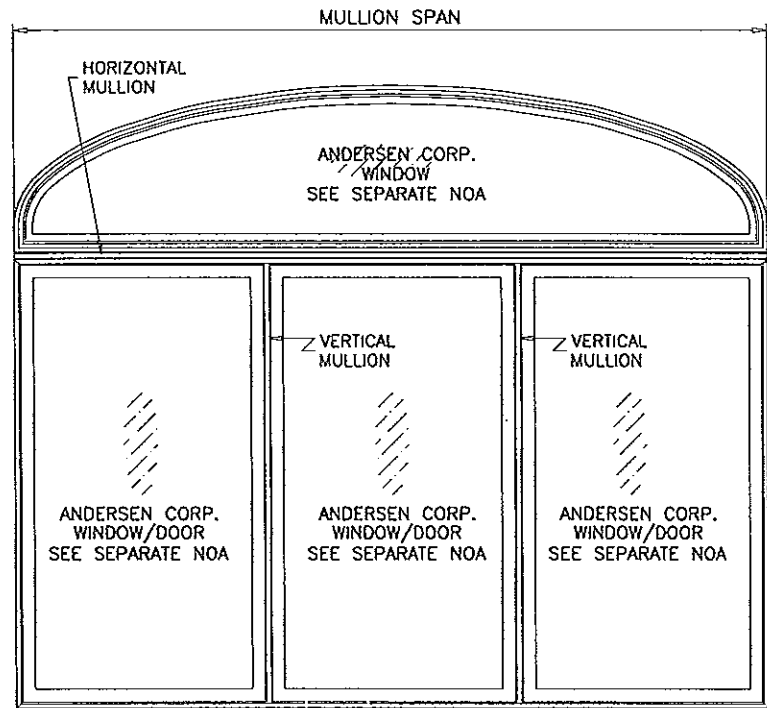
**TYPICAL MULLION ARRANGEMENT**

INDEX OF DRAWING	
SHEET NO.	DESCRIPTION
1	GENERAL NOTES
2	WINDOW FRAME DETAILS
3	DOOR FRAME DETAILS
4	MULLION DETAILS
5	CHART FOR 4-9/16" & 6-9/16" MULLIONS WITHOUT HORIZONTALS
6	CHART FOR 4-9/16" & 6-9/16" MULLIONS WITH HORIZONTALS
7 THRU 10	DETAILS SHOWS VERTICAL AND HORIZONTAL MULLION CONNECTION WITH FRAME MEMBERS.
11	HORIZ./VERT. MULLION CONNECTION DETAILS WITH BRACKET
12	HORIZ./VERT. MULLION CONNECTION DETAILS WITH GUSSET PLATE
13	VERT. MULLION CONNECTION DETAIL TO HORIZ. MULLION

**INSTRUCTIONS:**

USE DRAWING AS FOLLOWS.

1. DETERMINE THE PRESSURE (LOAD) REQUIREMENTS FOR THE INSTALLATION USING ASCE 7 FOR THE OPENING.
2. DEPENDING ON THE 'TYPICAL MULLION ARRANGEMENT' ON SHEET 1, SELECT THE MULLION SPAN, TRIBUTARY WIDTH (W) AND MULLION SIZE 4-9/16" OR 6-9/16".
3. DEPENDING ON THE WINDOWS ARRANGEMENT AND SIZE OF MULLION, USING SHEETS 7 TO 10, SELECT THE GROUP NUMBER.
4. USING SHEETS 5 AND 6 DETERMINE THE DESIGN PRESSURE RATING, THE MULLION SELECTED MUST MEET OR EXCEED THE PRESSURE (LOAD) REQUIRED IN STEP 1.
5. USING SHEETS 7, 8, 9 AND 10 DETERMINE THE WINDOW TO MULLION ANCHOR.
6. USING SHEETS 11 AND 12, DETERMINE THE MULLION TO SUBSTRATE ANCHORS.
7. USING SHEET 13, DETERMINE MULLION TO MULLION ANCHORS.



**LAMINATED VENEERED LUMBER (LVL) MULLION SYSTEM WINDOW FRAME MEMBERS INCLUDED IN PROPERTIES**

DESIGN LOAD RATING FOR THIS MULLION TO BE AS PER CHARTS SHOWN ON SHEETS 5 AND 6.

APPROVAL APPLIES TO MULLIONS COMBINATIONS WITH FRAME MEMBERS OF ANDERSEN CORPORATION WINDOW AND DOORS IN ANY COMBINATIONS SEE SHEET 2 FOR WINDOW FRAME MEMBER DETAILS. SEE SHEET 3 FOR DOOR FRAME MEMBER DETAILS.

SEE SEPARATE NOA FOR WINDOW/DOOR ANCHORS AND DESIGN LOAD CAPACITY.

LOWEST VALUE RESULTING FROM MULLION, WINDOW OR DOOR APPROVAL WILL APPLY TO ENTIRE SYSTEM.

THIS PRODUCT HAS BEEN DESIGNED AND TESTED TO COMPLY WITH THE REQUIREMENTS OF THE 2010 FLORIDA BUILDING CODE INCLUDING HIGH VELOCITY HURRICANE ZONE (HVHZ).

ALL GLAZING PRODUCTS USED WITH THESE MULLIONS MUST MEET THE APPLICABLE BUILDING CODE REQUIREMENTS I.E: WIND LOAD, WATER INFILTRATION, FORCED ENTRY RESISTANCE, SAFEGUARDS ETC.

WOOD BUCKS BY OTHERS, MUST BE ANCHORED PROPERLY TO TRANSFER LOADS TO THE STRUCTURE.

ANCHORS SHALL BE AS LISTED, SPACED AS SHOWN ON DETAILS, EMBEDMENT TO BASE MATERIAL SHALL BE BEYOND WALL COVERING (STUCCO, TILE ETC.).

ANCHORING CONDITIONS OTHER THAN THOSE SHOWN IN THESE DETAILS ARE NOT PART OF THIS APPROVAL.

A LOAD DURATION INCREASE IS USED IN DESIGN OF ANCHORS INTO WOOD ONLY.

MATERIALS INCLUDING BUT NOT LIMITED TO STEEL/METAL SCREWS, THAT COME INTO CONTACT WITH OTHER DISSIMILAR MATERIALS SHALL MEET THE REQUIREMENTS OF THE FLORIDA BLDG. CODE SECTION 2003.8.4.

Engr: JAVAD AHMAD  
CIVIL  
FLA. PE # 70592  
C.A.N. 3538

**MAY 20 2013**

PRODUCT REVISED  
as complying with the Florida  
Building Code  
Acceptance No 13-0411.01  
Expiration Date Dec. 10, 2017

By *[Signature]*  
Miami Dade Product Control

**af c**

**AL-FAROOQ CORPORATION**  
ENGINEERS & PRODUCT DEVELOPMENT  
1235 S.W. 87 AVE  
MIAMI, FLORIDA 33174  
TEL. (305) 264-8100 FAX. (305) 262-6978  
MULLION M05-01AC

LAMINATED VENEERED LUMBER MULLION SYSTEM

**ANDERSEN CORPORATION**  
100 FOURTH AVE. NORTH  
BAYPORT, MN. 55003-1096  
TEL. (800) 426-7691 FAX (-)

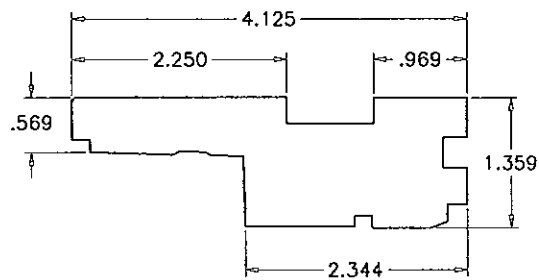
**AW**

Revisions:

no	date	by	description
A	04.16.10		UPDATED TO 2007 FBC
B	01.26.12		UPDATED TO 2010 FBC
C	11.15.12		GUSSET PLATE OPTION ADDED
D	05.13.13		REV. PER RER COMMENTS

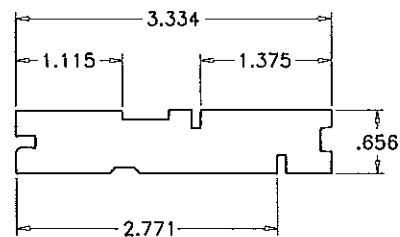
date: 08-15-05  
scale: 3/8"=1'-0"  
dr. by: HAMID  
chk. by:

drawing no.  
**M05-01**  
sheet 1 of 13

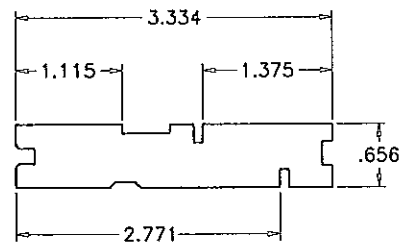


CASEMENT  
FRAME HEAD/SILL  
30835  
WOOD

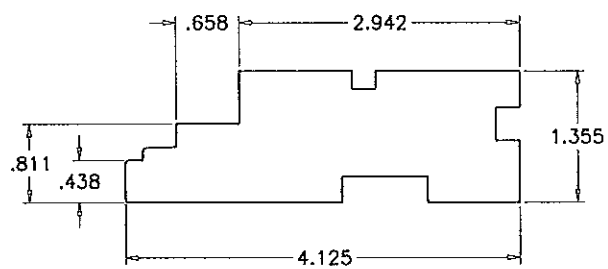
AWNING  
FRAME JAMB  
30836  
WOOD



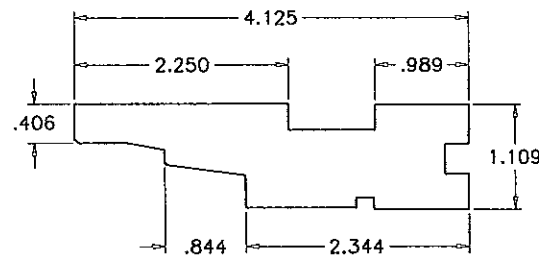
TILT-WASH DOUBLE HUNG  
FRAME HEAD  
WOOD



WOODWRIGHT DOUBLE HUNG  
FRAME HEAD/JAMB  
WOOD

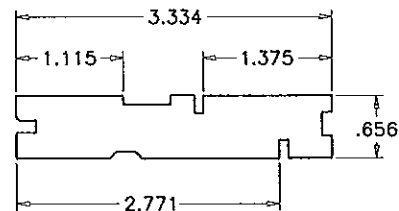


SPECIALITY DIRECT SET (CTC & CTQC)  
FRAME SILL  
27230  
WOOD



CASEMENT  
FRAME JAMB  
30838  
WOOD

AWNING  
FRAME HEAD/SILL  
30838  
WOOD

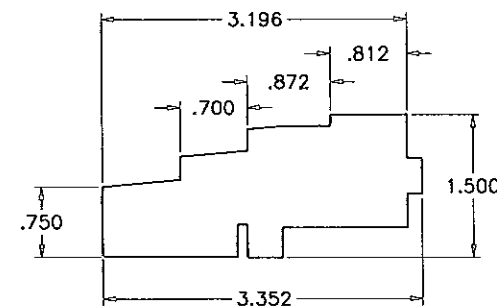


TILT-WASH DOUBLE HUNG  
FRAME JAMB  
WOOD

TILT-WASH FIXED  
FRAME HEAD/SILL/JAMB  
WOOD



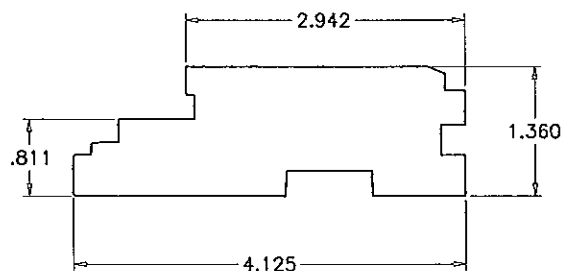
WOODWRIGHT FIXED  
FRAME HEAD/SILL/JAMB  
WOOD



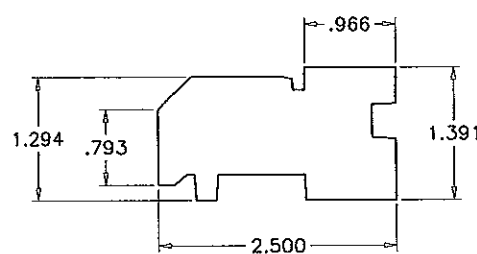
SPECIALITY DIRECT SET (CTN)  
FRAME SILL  
27122  
WOOD



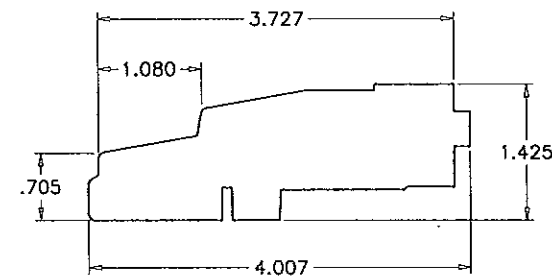
PSNL  
FRAME HEAD/SILL/JAMB  
WOOD



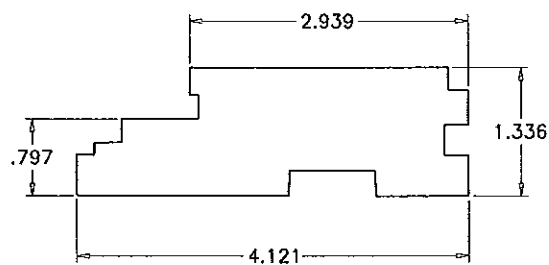
CASEMENT PICTURE  
FRAME HEAD/SILL/JAMB  
WOOD



FLEXIFRAME FIXED  
FRAME HEAD/SILL/JAMB  
WOOD



SPECIALITY DIRECT SET (ET)  
FRAME SILL  
53103  
WOOD



CASEMENT PICTURE (P)  
FRAME HEAD/SILL/JAMB  
30394  
WOOD

Engr: JAVAD AHMAD  
CIVIL  
FLA. PE # 70592  
C.A.N. 3538

MAY 20 2013

PRODUCT REVISED  
as complying with the Florida  
Building Code  
Acceptance No 13-0411.01  
Expiration Date Dec 20, 2017

dr. by: HAMD  
chk. by: Mameel Jery  
Miami Dade Product Control

**af c**

**AL-FAROOQ CORPORATION**  
ENGINEERS & PRODUCT DEVELOPMENT  
1.235 S.W. 87 AVE  
MIAMI, FLORIDA 33174  
TEL. (305) 264-8100 FAX. (305) 262-6978

MULLION M05-01AC

LAMINATED VENEERED LUMBER MULLION SYSTEM

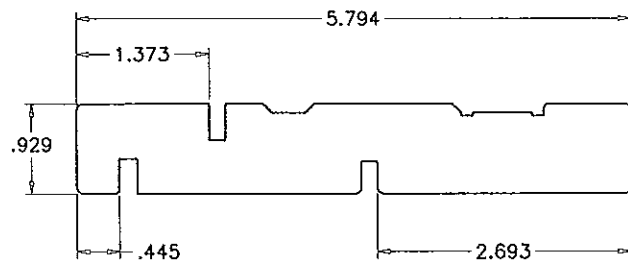
**ANDERSEN CORPORATION**  
100 FOURTH AVE. NORTH  
BAYPORT, MN. 55003-1096  
TEL. (800) 426-7691 FAX (-)

AW  
ANDERSEN

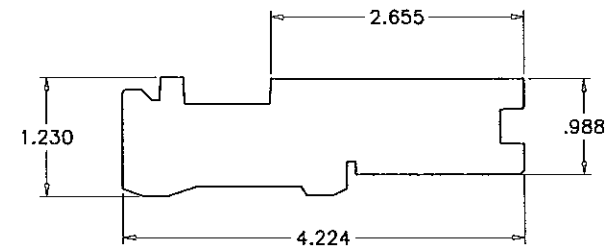
revisions:	no	date	by	description
	A	04.16.10		NO CHANGE THIS SHEET
	B	01.26.12		NO CHANGE THIS SHEET
	C	11.15.12		NO CHANGE THIS SHEET
	D	05.13.13		NO CHANGE THIS SHEET

date: 08-15-05  
scale: 1/2" = 1"  
dr. by: HAMD  
chk. by:

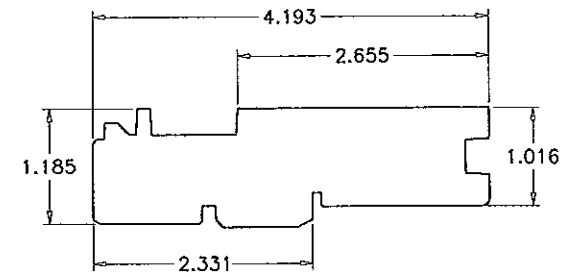
drawing no.  
**M05-01**  
sheet 2 of 13



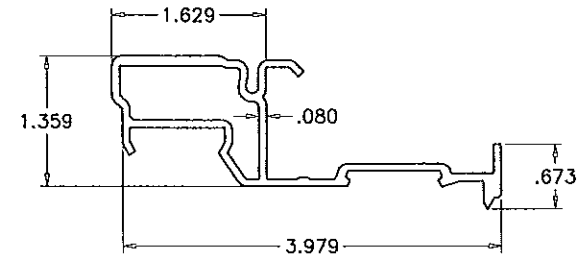
FWG  
GLIDING DOOR FRAME HEAD  
-  
WOOD



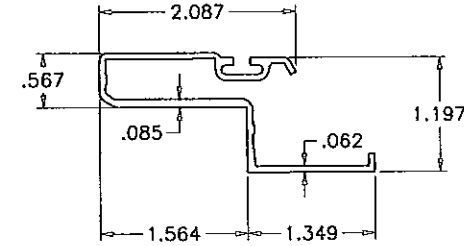
FWH  
HINGED DOOR HEAD/JAMB (OPERATING/STATIONARY)  
52253  
WOOD



FWO  
OUTSWING DOOR HEAD/JAMB (OPERATING/STATIONARY)  
57019  
WOOD



FWH  
HINGED HEAD/JAMB COVER (OPERATING/STATIONARY)  
52225  
FIBERGLASS



FWO  
OUTSWING HEAD/JAMB COVER (OPERATING/STATIONARY)  
57031  
FIBERGLASS



**AL-FAROOQ CORPORATION**  
ENGINEERS & PRODUCT DEVELOPMENT  
1235 S.W. 87 AVE  
MIAMI, FLORIDA 33174  
TEL. (305) 264-8100 FAX. (305) 262-6978

MULLION M05-01AC

LAMINATED VENEERED LUMBER MULLION SYSTEM

**ANDERSEN CORPORATION**  
100 FOURTH AVE. NORTH  
BAYPORT, MN. 55003-1096  
TEL. (800) 426-7691 FAX (-)



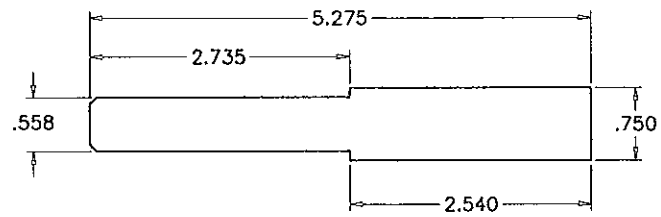
no	date	description
A	04.16.10	NO CHANGE THIS SHEET
B	01.26.12	NO CHANGE THIS SHEET
C	11.15.12	NO CHANGE THIS SHEET
D	05.13.13	NO CHANGE THIS SHEET

Engr: JAVAD AHMAD  
CIVIL  
FLA. PE # 70592  
C.A.N. 3538  
  
MAY 20 2013

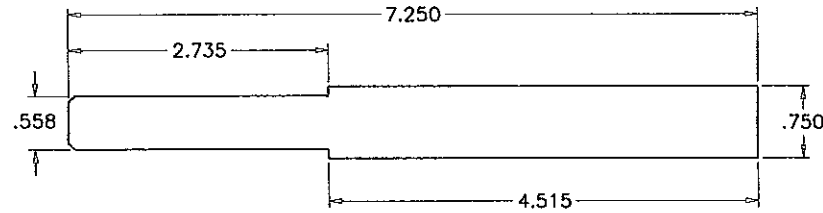
PRODUCT REVISED  
as complying with the Florida  
Building Code  
Acceptance No 13-041101  
Expiration Date Dec 30, 2017  
By *Manuel Jara*  
Miami Dade Product Control

date: 08-15-05  
scale: 1/2" = 1"  
dr. by: H-AMID  
chk. by:

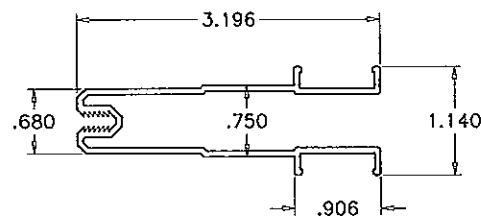
drawing no.  
M05-01  
sheet 3 of 13



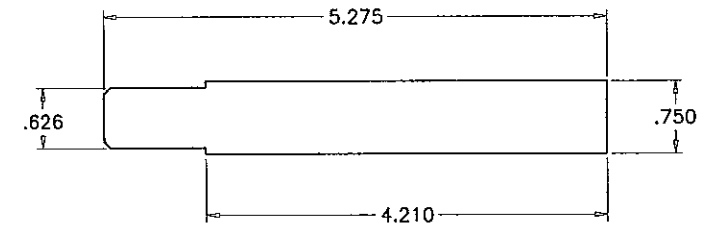
4-9/16" MULLION  
LAMINATED VENEERED LUMBER



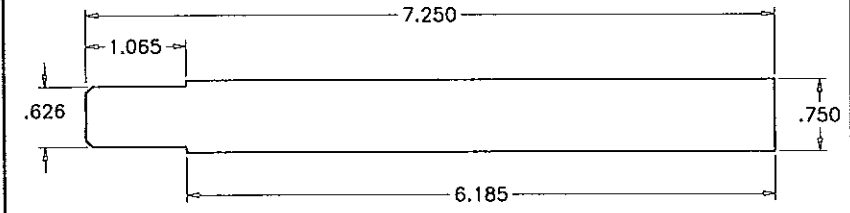
6-9/16" MULLION  
LAMINATED VENEERED LUMBER



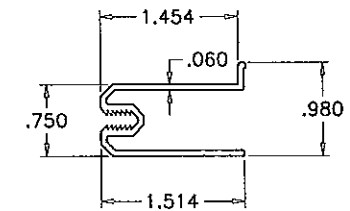
MULLION COVER  
ALUMINUM



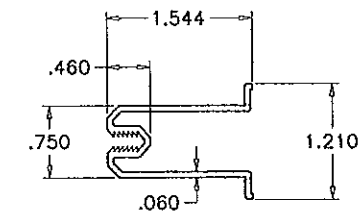
4-9/16" MULLION  
29353  
LAMINATED VENEERED LUMBER



6-9/16" MULLION  
29434  
LAMINATED VENEERED LUMBER



MULLION COVER  
29351  
ALUMINUM



MULLION COVER  
29351  
ALUMINUM

**af c**  
**AL-FAROOQ CORPORATION**  
ENGINEERS & PRODUCT DEVELOPMENT  
1235 S.W. 87 AVE  
MIAMI, FLORIDA 33174  
TEL. (305) 264-8100 FAX. (305) 262-6978  
MULLION\M05-01AC

LAMINATED VENEERED LUMBER MULLION SYSTEM  
**ANDERSEN CORPORATION**  
100 FOURTH AVE. NORTH  
BAYPORT, MN. 55003-1096  
TEL. (800) 426-7691 FAX (-)

no	date	by	description
A	04.16.10		NO CHANGE THIS SHEET
B	01.26.12		NO CHANGE THIS SHEET
C	11.15.12		NO CHANGE THIS SHEET
D	05.13.13		NO CHANGE THIS SHEET

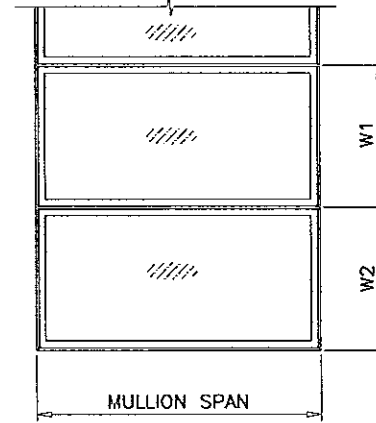
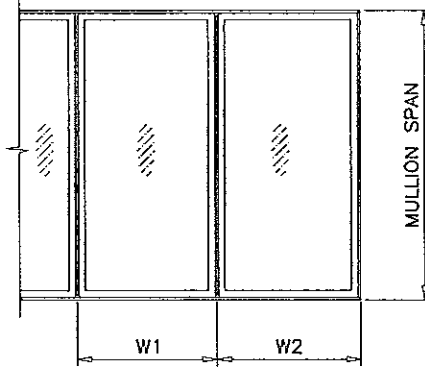
Engr: JAVAD AHMAD  
CIVIL  
FLA. PE # 70592  
C.A.N. 3538  
**MAY 20 2013**

PRODUCT REVISED  
as complying with the Florida  
Building Code  
Acceptance No. 13-04101  
Expiration Date Dec. 20, 2017  
By *Manuel Perez*  
Miami Dade Product Control

date: 08-15-05  
scale: 1/2" = 1"  
dr. by: HAMID  
chk. by:

drawing no.  
**M05-01**  
sheet 4 of 13

DESIGN LOAD CAPACITY - PSF 4-9/16" MULLION						
WINDOW DIMS. WIDTH (W) MULL SPAN		W/O INTERMEDIATE HORIZONTALS				
		GROUP #1	GROUP #2	GROUP #3	GROUP #4	
30"	48"	70.0	70.0	70.0	70.0	
36"		70.0	70.0	70.0	70.0	
42"		70.0	70.0	70.0	70.0	
48"		70.0	70.0	70.0	70.0	
51-3/8"		70.0	70.0	70.0	70.0	
54"		70.0	70.0	70.0	70.0	
60"		70.0	70.0	70.0	70.0	
72"		70.0	70.0	70.0	70.0	
30"	54"	70.0	70.0	70.0	70.0	
36"		70.0	70.0	70.0	70.0	
42"		70.0	70.0	70.0	70.0	
48"		70.0	70.0	70.0	70.0	
51-3/8"		70.0	70.0	70.0	70.0	
54"		70.0	70.0	70.0	70.0	
60"		68.0	68.0	68.0	68.0	
66"		61.8	61.8	61.8	61.8	
72"	56.7	56.7	56.7	56.7		
30"	60"	70.0	70.0	70.0	70.0	
36"		70.0	70.0	70.0	70.0	
42"		70.0	70.0	70.0	70.0	
48"		70.0	70.0	70.0	70.0	
51-3/8"		65.0	65.0	65.0	65.0	
54"		61.5	61.5	61.5	61.5	
60"		55.1	55.1	55.1	55.1	
66"		50.1	50.1	50.1	50.1	
72"	45.9	45.9	45.9	45.9		
30"	66"	70.0	70.0	70.0	70.0	
36"		67.4	70.0	70.0	70.0	
42"		60.1	68.2	68.2	68.2	
48"		55.3	58.6	58.6	58.6	
51-3/8"		53.4	54.2	54.2	54.2	
54"		51.3	51.3	51.3	51.3	
60"		45.7	45.7	45.7	45.7	
30"		72"	65.0	70.0	70.0	70.0
36"	55.6		63.3	69.4	69.4	
42"	49.3		56.1	58.1	58.1	
48"	44.9		49.8	49.8	49.8	
51-3/8"	43.1		46.1	46.1	46.1	
54"	41.9		43.6	43.6	43.6	
60"	38.7		38.7	38.7	38.7	
30"	78"		54.9	62.5	70.0	70.0
36"		46.8	53.2	59.9	59.9	
42"		41.2	46.9	50.1	50.1	
48"		37.3	42.5	43.0	43.0	
51-3/8"		35.6	39.7	39.7	39.7	
54"		34.5	37.5	37.5	37.5	
30"		84"	47.0	53.5	64.2	64.2
36"			39.9	45.4	52.2	52.2
42"	35.0		39.9	43.7	43.7	
48"	31.5		35.9	37.5	37.5	
51-3/8"	30.0		34.1	34.6	34.6	



$$\text{WIDTH (W)} = \frac{W1 + W2}{2}$$

DESIGN LOAD CAPACITY - PSF 6-9/16" MULLION							
WINDOW DIMS. WIDTH (W) MULL SPAN		W/O INTERMEDIATE HORIZONTALS					
		GROUP #5	GROUP #6	GROUP #7	GROUP #8	GROUP #9	
24"	60"	70.0	70.0	70.0	70.0	70.0	
30"		70.0	70.0	70.0	70.0	70.0	
36"		70.0	70.0	70.0	70.0	70.0	
40"		70.0	70.0	70.0	70.0	70.0	
42"		70.0	70.0	70.0	70.0	70.0	
48"		70.0	70.0	70.0	70.0	70.0	
54"		70.0	70.0	70.0	70.0	70.0	
60"		70.0	70.0	70.0	70.0	70.0	
66"		64.0	64.0	64.0	64.0	64.0	
72"		58.7	58.7	58.7	58.7	58.7	
24"		66"	70.0	70.0	70.0	70.0	70.0
30"			70.0	70.0	70.0	70.0	70.0
36"	70.0		70.0	70.0	70.0	70.0	
40"	70.0		70.0	70.0	70.0	70.0	
42"	70.0		70.0	70.0	70.0	70.0	
48"	70.0		70.0	70.0	70.0	70.0	
54"	70.0		70.0	70.0	70.0	70.0	
60"	64.2		64.2	64.2	64.2	64.2	
24"	72"		70.0	70.0	70.0	70.0	70.0
30"			70.0	70.0	70.0	70.0	70.0
36"			70.0	70.0	70.0	70.0	70.0
40"			70.0	70.0	70.0	70.0	70.0
42"		70.0	70.0	70.0	70.0	70.0	
48"		70.0	70.0	70.0	70.0	70.0	
54"		69.9	69.9	69.9	69.9	69.9	
60"		61.1	61.1	61.1	61.1	61.1	
24"		78"	70.0	70.0	70.0	70.0	70.0
30"			70.0	70.0	70.0	70.0	70.0
36"			70.0	70.0	70.0	70.0	70.0
40"			70.0	70.0	70.0	70.0	70.0
42"	70.0		70.0	70.0	70.0	70.0	
48"	60.3		60.3	60.3	60.3	60.3	
54"	52.6		52.6	52.6	52.6	52.6	
24"	84"		70.0	70.0	70.0	70.0	70.0
30"			70.0	70.0	70.0	70.0	70.0
36"			68.6	70.0	70.0	70.0	70.0
40"			62.7	64.9	64.9	64.9	64.9
42"			60.2	61.3	61.3	61.3	61.3
48"		52.6	52.6	52.6	52.6	52.6	
24"		90"	70.0	70.0	70.0	70.0	70.0
30"			70.0	70.0	70.0	70.0	70.0
36"			59.3	64.4	64.4	64.4	64.4
40"			54.1	57.1	57.1	57.1	57.1
42"			51.9	54.0	54.0	54.0	54.0
48"			46.3	46.3	46.3	46.3	46.3
24"	96"		70.0	70.0	70.0	70.0	70.0
30"			61.2	70.0	70.0	70.0	70.0
36"			51.8	57.1	57.1	57.1	57.1
40"			47.1	50.6	50.6	50.6	50.6
42"			45.2	47.9	47.9	47.9	47.9
45"			42.2	44.7	44.7	44.7	44.7

DESIGN LOAD CAPACITY - PSF 6-9/16" MULLION						
WINDOW DIMS. WIDTH (W) MULL SPAN		W/O INTERMEDIATE HORIZONTALS				
		GROUP #5	GROUP #6	GROUP #7	GROUP #8	GROUP #9
24"	102"	66.9	70.0	70.0	70.0	70.0
30"		54.1	61.9	62.6	62.6	62.6
36"		45.6	51.0	51.0	51.0	51.0
40"		41.5	45.2	45.2	45.2	45.2
42"		39.7	42.8	42.8	42.8	42.8
24"	108"	59.6	68.2	70.0	70.0	70.0
30"		48.1	55.0	56.2	56.2	56.2
36"		40.5	45.8	45.8	45.8	45.8
40"		36.8	40.7	40.7	40.7	40.7

Engr: JAVAD AHMAD  
CIVIL  
FLA. PE # 70592  
C.A.N. 3538

MAY 20 2013

PRODUCT REVISED  
as complying with the Florida  
Building Code  
Acceptance No 13-DAL-01  
Expiration Date Dec 20, 2017

By *Manuel Perez*  
Miami Dade Product Control

**afC**

**AL-FAROOQ CORPORATION**  
ENGINEERS & PRODUCT DEVELOPMENT  
1235 S.W. 87 AVE  
MIAMI, FLORIDA 33174  
TEL. (305) 264-8100 FAX. (305) 262-6978  
MULLION\M05-01AC

LAMINATED VENEERED LUMBER MULLION SYSTEM

**ANDERSEN CORPORATION**  
100 FOURTH AVE. NORTH  
BAYPORT, MN. 55003-1096  
TEL. (800) 426-7891 FAX (-)

AW

no	date	description
A	04.16.10	UPDATED TO 2007 FBC
B	01.26.12	NO CHANGE THIS SHEET
C	11.15.12	NO CHANGE THIS SHEET
D	05.13.13	NO CHANGE THIS SHEET

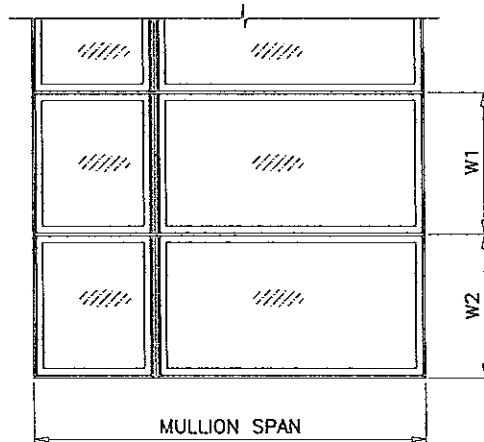
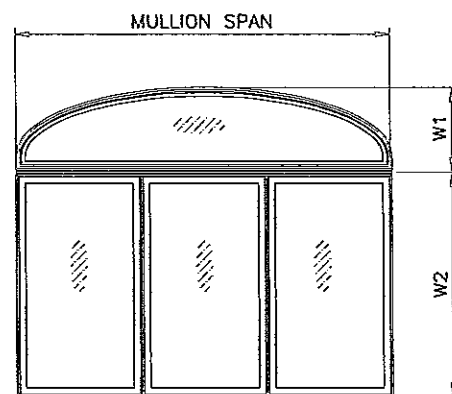
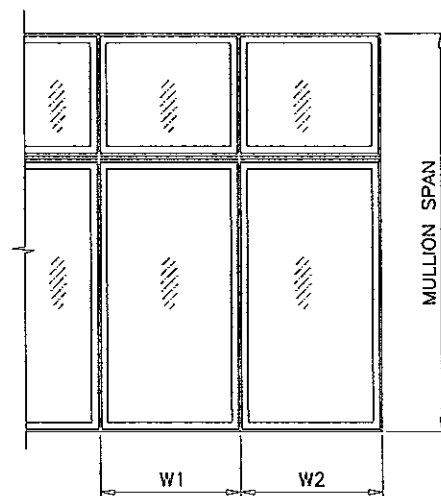
revisions:

date: 08-15-05  
scale: 1/2" = 1"  
dr. by: HAMID  
chk. by:

drawing no.  
**M05-01**

sheet 5 of 13

DESIGN LOAD CAPACITY - PSF 4-9/16" MULLION						
WINDOW DIMS. WIDTH (W) MULL SPAN		WITH INTERMEDIATE HORIZONTALS				
		GROUP #1	GROUP #2	GROUP #3	GROUP #4	
30"	48"	70.0	70.0	70.0	70.0	
36"		70.0	70.0	70.0	70.0	
42"		70.0	70.0	70.0	70.0	
48"		70.0	70.0	70.0	70.0	
51-3/8"		70.0	70.0	70.0	70.0	
54"		70.0	70.0	70.0	70.0	
60"		69.0	70.0	70.0	70.0	
66"		62.7	70.0	70.0	70.0	
72"	57.5	65.4	70.0	70.0		
30"	54"	70.0	70.0	70.0	70.0	
36"		70.0	70.0	70.0	70.0	
42"		70.0	70.0	70.0	70.0	
48"		68.1	70.0	70.0	70.0	
51-3/8"		63.7	70.0	70.0	70.0	
54"		60.6	68.9	70.0	70.0	
60"		54.5	62.0	70.0	70.0	
66"		49.6	56.4	70.0	70.0	
72"	45.4	51.7	64.8	65.2		
30"	60"	70.0	70.0	70.0	70.0	
36"		70.0	70.0	70.0	70.0	
42"		63.1	70.0	70.0	70.0	
48"		55.2	62.8	70.0	70.0	
51-3/8"		51.6	58.7	70.0	70.0	
54"		49.1	55.8	70.0	70.0	
60"		44.2	50.3	63.0	70.0	
66"		40.1	45.7	57.2	64.0	
72"	36.8	41.9	52.5	58.7		
30"	66"	70.0	70.0	70.0	70.0	
36"		60.8	69.2	70.0	70.0	
42"		52.1	59.3	70.0	70.0	
48"		45.6	51.9	65.0	70.0	
51-3/8"		42.6	48.5	60.8	70.0	
54"		40.5	46.2	57.8	67.5	
60"		36.5	41.5	52.0	60.7	
30"		72"	61.3	69.8	70.0	70.0
36"	51.1		58.2	70.0	70.0	
42"	43.8		49.9	62.5	70.0	
48"	38.3		43.6	54.7	63.8	
51-3/8"	35.8		40.8	51.1	59.6	
54"	34.1		38.8	48.6	56.7	
60"	30.7		34.9	43.7	51.0	
30"	78"		52.3	59.5	70.0	70.0
36"		43.5	49.6	62.1	70.0	
42"		37.3	42.5	53.2	62.1	
48"		32.7	37.2	46.6	54.3	
51-3/8"		30.5	34.7	43.5	50.8	
54"		29.0	33.0	41.4	48.3	
30"		84"	45.1	51.3	64.3	70.0
36"			37.5	42.7	53.5	60.6
42"	32.2		36.6	45.9	51.9	
48"	28.2		32.1	40.2	45.4	
51-3/8"	26.3		29.9	37.5	42.4	



$$\text{WIDTH (W)} = \frac{W1 + W2}{2}$$

DESIGN LOAD CAPACITY - PSF 6-9/16" MULLION							
WINDOW DIMS. WIDTH (W) MULL SPAN		WITH INTERMEDIATE HORIZONTALS					
		GROUP #5	GROUP #6	GROUP #7	GROUP #8	GROUP #9	
24"	60"	70.0	70.0	70.0	70.0	70.0	
30"		70.0	70.0	70.0	70.0	70.0	
36"		70.0	70.0	70.0	70.0	70.0	
40"		70.0	70.0	70.0	70.0	70.0	
42"		70.0	70.0	70.0	70.0	70.0	
48"		70.0	70.0	70.0	70.0	70.0	
54"		70.0	70.0	70.0	70.0	70.0	
60"		70.0	70.0	70.0	70.0	70.0	
66"		64.0	64.0	64.0	64.0	64.0	
72"		58.7	-	-	-	-	
24"		66"	70.0	70.0	70.0	70.0	70.0
30"			70.0	70.0	70.0	70.0	70.0
36"	70.0		70.0	70.0	70.0	70.0	
40"	70.0		70.0	70.0	70.0	70.0	
42"	70.0		70.0	70.0	70.0	70.0	
48"	70.0		70.0	70.0	70.0	70.0	
54"	69.7		70.0	70.0	70.0	70.0	
60"	62.7		64.0	64.0	64.0	64.0	
24"	72"		70.0	70.0	70.0	70.0	70.0
30"			70.0	70.0	70.0	70.0	70.0
36"			70.0	70.0	70.0	70.0	70.0
40"			70.0	70.0	70.0	70.0	70.0
42"		70.0	70.0	70.0	70.0	70.0	
48"		65.9	70.0	70.0	70.0	70.0	
54"		58.6	65.2	65.2	65.2	65.2	
60"		52.7	58.7	58.7	-	-	
24"		78"	70.0	70.0	70.0	70.0	70.0
30"			70.0	70.0	70.0	70.0	70.0
36"			70.0	70.0	70.0	70.0	70.0
40"			67.4	70.0	70.0	70.0	70.0
42"	64.2		70.0	70.0	70.0	70.0	
48"	56.1		64.3	67.7	67.7	67.7	
54"	49.9		57.1	60.2	-	-	
24"	84"		70.0	70.0	70.0	70.0	70.0
30"			70.0	70.0	70.0	70.0	70.0
36"			64.5	70.0	70.0	70.0	70.0
40"			58.1	66.5	70.0	70.0	70.0
42"			55.3	63.3	69.8	70.0	70.0
48"		48.4	55.4	61.1	62.9	62.9	
24"		90"	70.0	70.0	70.0	70.0	70.0
30"			67.5	70.0	70.0	70.0	70.0
36"			56.2	64.4	70.0	70.0	70.0
40"			50.6	57.9	63.8	68.7	68.7
42"			48.2	55.2	60.8	65.4	65.4
48"			42.2	48.3	53.2	57.2	57.2
24"	96"		70.0	70.0	70.0	70.0	70.0
30"			59.3	67.9	70.0	70.0	70.0
36"			49.4	56.6	62.3	67.0	67.1
40"			44.5	50.9	56.1	60.3	60.4
42"			42.4	48.5	53.4	57.5	57.5
45"			39.6	45.3	49.8	53.6	53.6

DESIGN LOAD CAPACITY - PSF 6-9/16" MULLION						
WINDOW DIMS. WIDTH (W) MULL SPAN		WITH INTERMEDIATE HORIZONTALS				
		GROUP #5	GROUP #6	GROUP #7	GROUP #8	GROUP #9
24"	102"	65.7	70.0	70.0	70.0	70.0
30"		52.5	60.1	66.3	70.0	70.0
36"		43.8	50.1	55.2	59.4	59.4
40"		39.4	45.1	49.7	53.5	53.5
42"		37.5	42.9	47.3	50.9	50.9
24"	108"	58.6	67.0	70.0	70.0	70.0
30"		46.8	53.6	59.1	62.5	62.5
36"		39.0	44.7	49.3	52.1	52.1
40"		35.1	40.2	44.3	46.9	46.9

Engr: JAVAD AHMAD  
CIVIL  
FLA. PE # 70592  
C.A.N. 3538

MAY 20 2013

PRODUCT REVISED  
as complying with the Florida  
Building Code  
Acceptance No 13-0411-01  
Expiration Date Dec 20, 2017

By *Muhammad*  
Miami Dade Product Control

**af c**  
**AL-FAROOQ CORPORATION**  
ENGINEERS & PRODUCT DEVELOPMENT  
1235 S.W. 87 AVE  
MIAMI, FLORIDA 33174  
TEL. (305) 264-8100 FAX. (305) 262-6978  
MULLION\M05-01AC

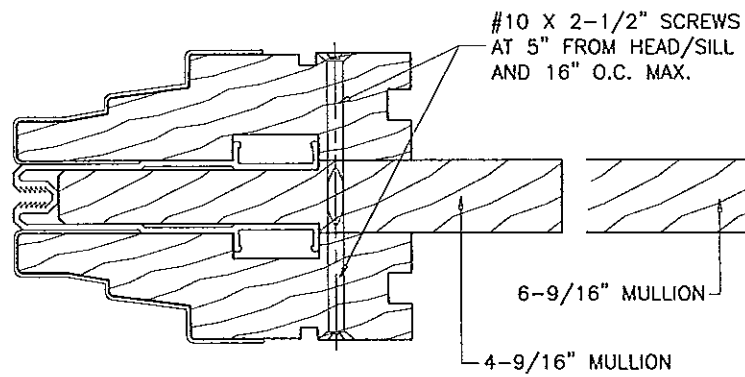
LAMINATED VENEERED LUMBER MULLION SYSTEM  
**ANDERSEN CORPORATION**  
100 FOURTH AVE. NORTH  
BAYPORT, MN. 55003-1096  
TEL. (800) 426-7691 FAX (-)

no	date	description
A	04.16.10	UPDATED TO 2007 FBC
B	01.26.12	NO CHANGE THIS SHEET
C	11.15.12	NO CHANGE THIS SHEET
D	05.13.13	NO CHANGE THIS SHEET

date: 08-15-05  
scale: 1/2" = 1"  
dr. by: HAMID  
chk. by:

drawing no.  
**M05-01**  
sheet 6 of 13

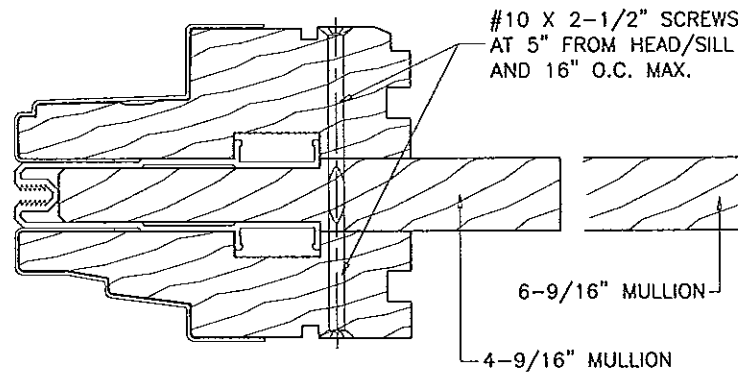




CASEMENT TO CASEMENT  
VERTICAL JOIN

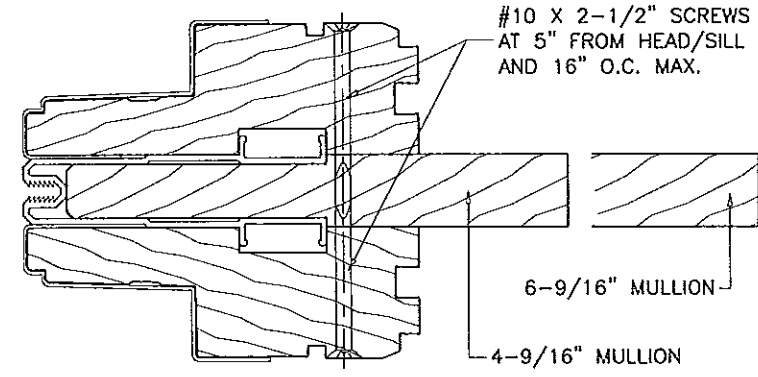
AWNING TO AWNING  
HORIZONTAL JOIN

MULLION TYPE	GROUP NO.
4-9/16"	3
6-9/16"	7



CASEMENT TO AWNING  
VERTICAL OR HORIZONTAL JOIN

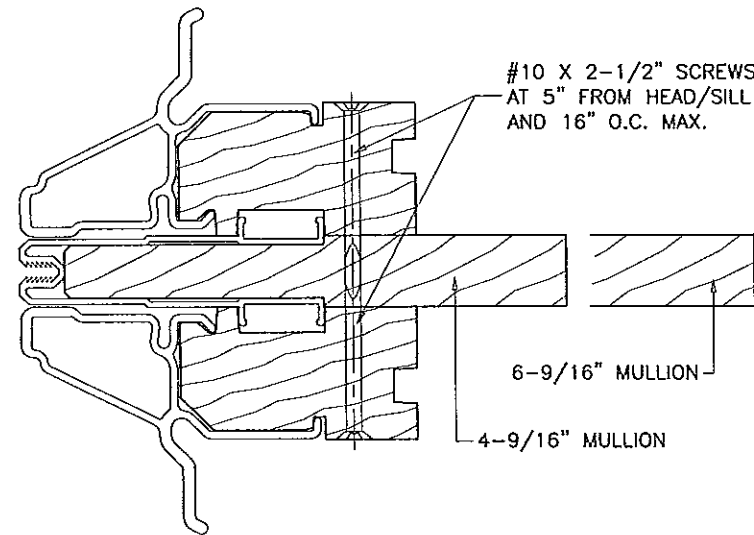
MULLION TYPE	GROUP NO.
4-9/16"	3
6-9/16"	7



CASEMENT TO CASEMENT  
HORIZONTAL JOIN

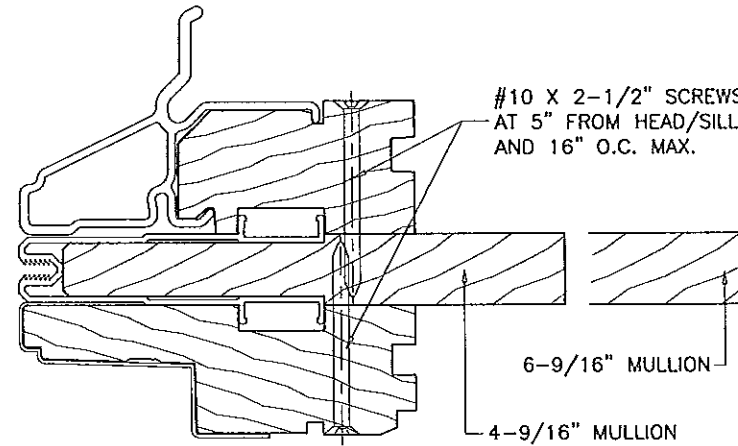
AWNING TO AWNING  
VERTICAL JOIN

MULLION TYPE	GROUP NO.
4-9/16"	3
6-9/16"	7



FLEXIFRAME TO FLEXIFRAME  
VERTICAL OR HORIZONTAL JOIN

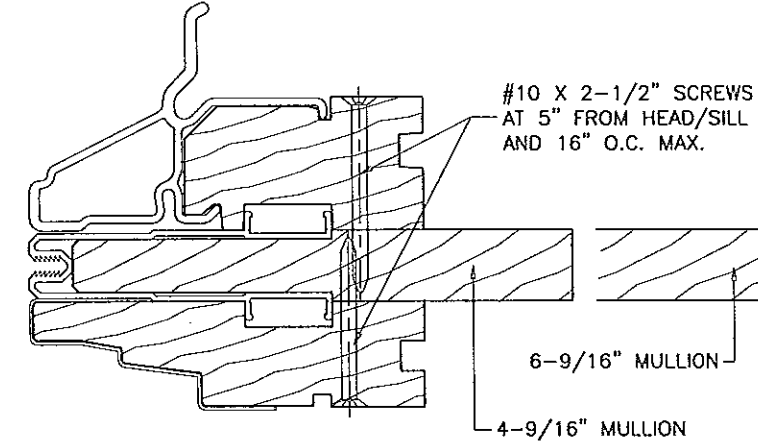
MULLION TYPE	GROUP NO.
4-9/16"	2
6-9/16"	5



CASEMENT TO FLEXIFRAME  
HORIZONTAL JOIN

AWNING TO FLEXIFRAME  
VERTICAL JOIN

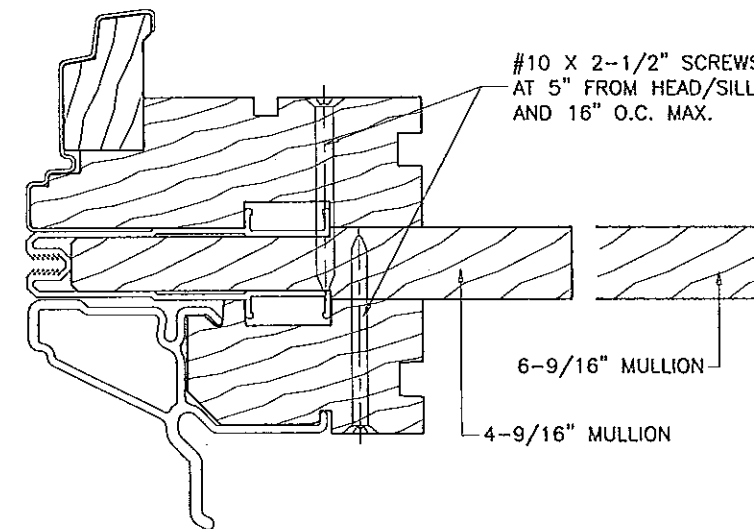
MULLION TYPE	GROUP NO.
4-9/16"	2
6-9/16"	6



CASEMENT TO FLEXIFRAME  
VERTICAL JOIN

AWNING TO FLEXIFRAME  
HORIZONTAL JOIN

MULLION TYPE	GROUP NO.
4-9/16"	2
6-9/16"	6



FLEXIFRAME TO CIRCLE TOP/QUARTER  
VERTICAL OR HORIZONTAL JOIN

MULLION TYPE	GROUP NO.
4-9/16"	2
6-9/16"	6


SEE SHEET 9 FOR 'I' VALUES OF VARIOUS GROUPS

Engr: JAVAD AHMAD  
CIVIL  
FLA. PE # 70592  
C.A.N. 3538

MAY 20 2013

PRODUCT REVISED  
as complying with the Florida  
Building Code  
Acceptance No 13-041101  
Expiration Date Dec 20, 2017  
By *Manuel Perez*  
Miami Dade Product Control

**af c**  
**AL-FAROOQ CORPORATION**  
ENGINEERS & PRODUCT DEVELOPMENT  
1235 S.W. 87 AVE  
MIAMI, FLORIDA 33174  
TEL. (305) 264-8100 FAX. (305) 262-6978  
MULLION\M05-01AC

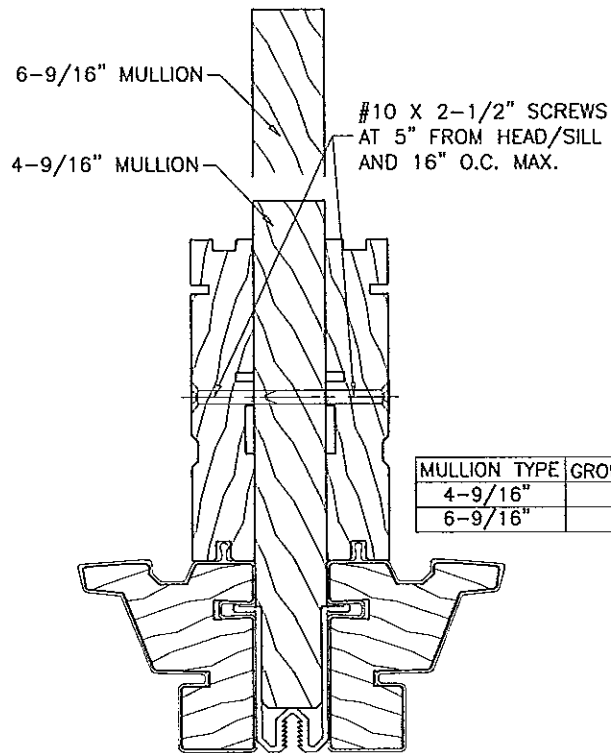
LAMINATED VENEERED LUMBER MULLION SYSTEM  
**ANDERSEN CORPORATION**  
100 FOURTH AVE. NORTH  
BAYPORT, MN. 55003-1096  
TEL. (800) 426-7691 FAX (-)  


revisions:

no	date	by	description
A	04.16.10		NO CHANGE THIS SHEET
B	01.26.12		NO CHANGE THIS SHEET
C	11.15.12		NO CHANGE THIS SHEET
D	05.13.13		NO CHANGE THIS SHEET

date: 08-15-05  
scale: 1/2" = 1"  
dr. by: HAMID  
chk. by:

drawing no.  
**M05-01**  
sheet 7 of 13



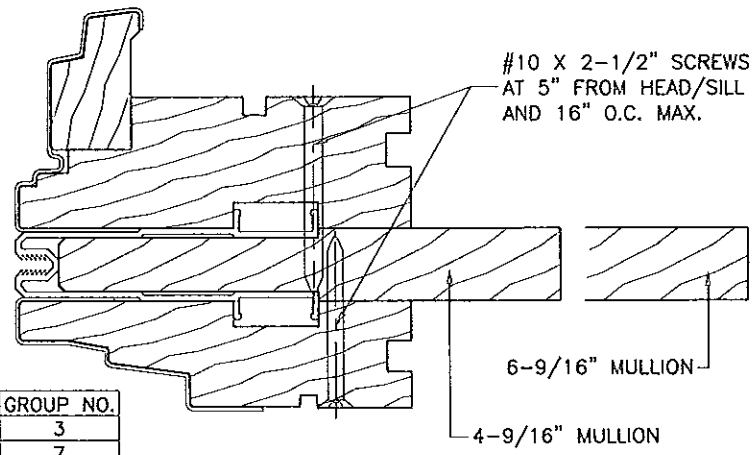
#10 X 2-1/2" SCREWS  
AT 5" FROM HEAD/SILL  
AND 16" O.C. MAX.

MULLION TYPE	GROUP NO.
4-9/16"	1
6-9/16"	8

400 TWDH WDW TO 400 TWDH WDW  
VERTICAL JOIN

400 TWDH WDW TO 400 TWDH PICTURE WDW  
VERTICAL JOIN

MULLION TYPE	GROUP NO.
4-9/16"	3
6-9/16"	7

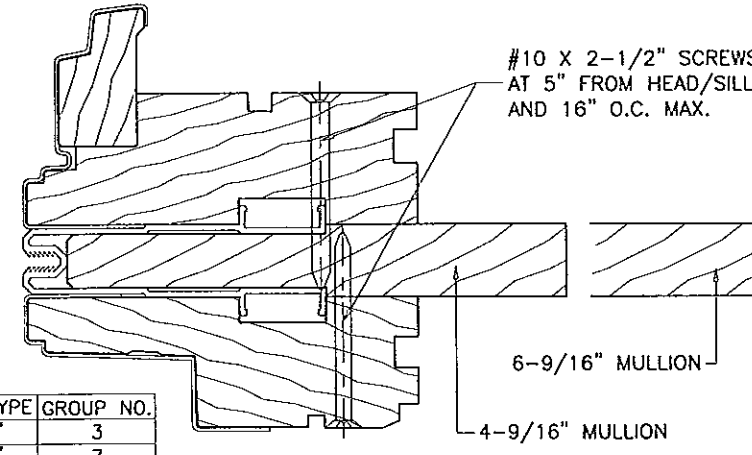


#10 X 2-1/2" SCREWS  
AT 5" FROM HEAD/SILL  
AND 16" O.C. MAX.

CIRCLE TOP TO AWNING  
HORIZONTAL JOIN

SEE SHEET 9 FOR 'I' VALUES OF VARIOUS GROUPS

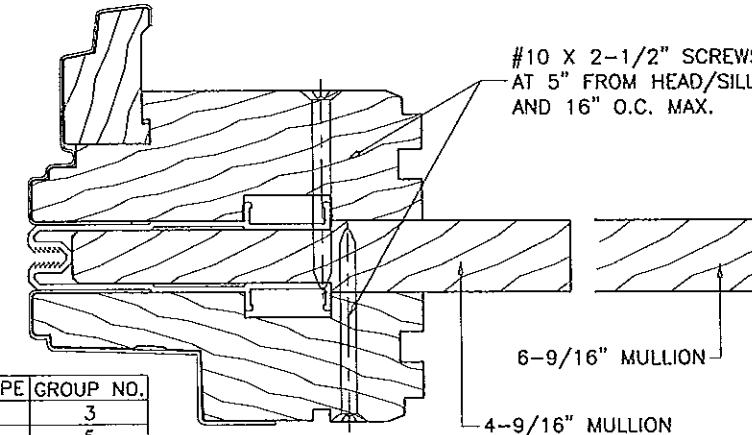
MULLION TYPE	GROUP NO.
4-9/16"	3
6-9/16"	7



#10 X 2-1/2" SCREWS  
AT 5" FROM HEAD/SILL  
AND 16" O.C. MAX.

CIRCLE TOP TO CASEMENT  
HORIZONTAL JOIN

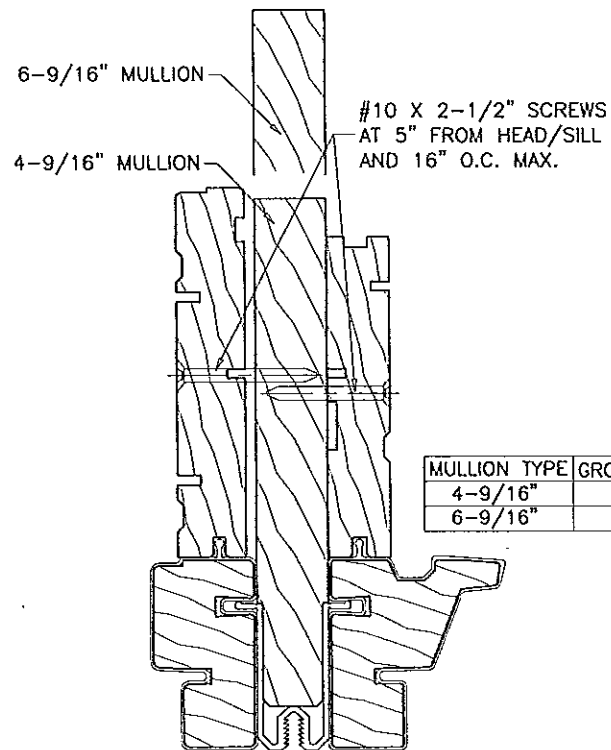
MULLION TYPE	GROUP NO.
4-9/16"	3
6-9/16"	5



#10 X 2-1/2" SCREWS  
AT 5" FROM HEAD/SILL  
AND 16" O.C. MAX.

CASMT PICTURE WDW. TO AWNING  
VERTICAL JOIN

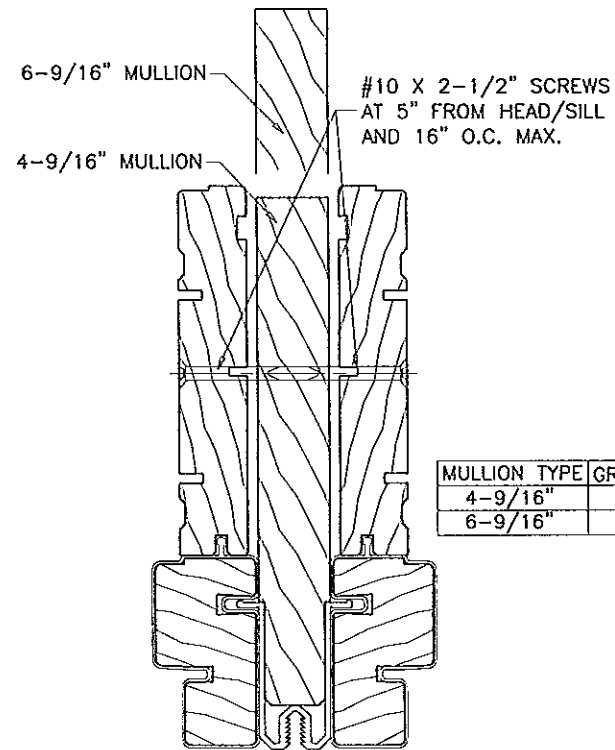
CASMT PICTURE WDW. TO CASEMENT  
HORIZONTAL JOIN



#10 X 2-1/2" SCREWS  
AT 5" FROM HEAD/SILL  
AND 16" O.C. MAX.

MULLION TYPE	GROUP NO.
4-9/16"	1
6-9/16"	8

PSNL WDW TO 400 TWDH PICTURE WDW  
VERTICAL JOIN

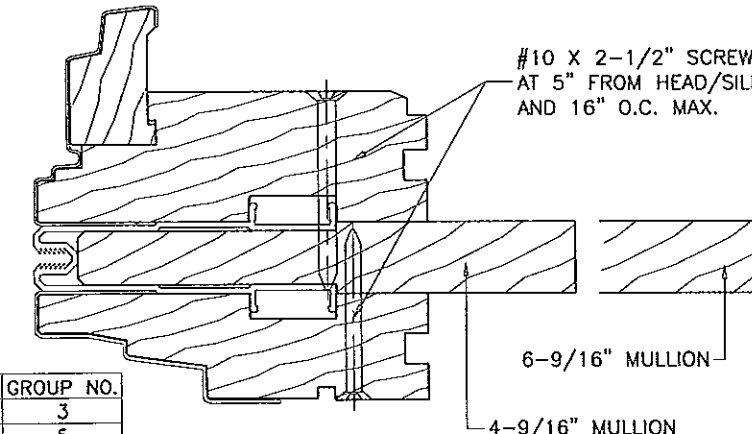


#10 X 2-1/2" SCREWS  
AT 5" FROM HEAD/SILL  
AND 16" O.C. MAX.

MULLION TYPE	GROUP NO.
4-9/16"	1
6-9/16"	9

PSNL WDW TO PSNL WDW  
VERTICAL JOIN

MULLION TYPE	GROUP NO.
4-9/16"	3
6-9/16"	5



#10 X 2-1/2" SCREWS  
AT 5" FROM HEAD/SILL  
AND 16" O.C. MAX.

CASMT PICTURE WDW. TO AWNING  
HORIZONTAL JOIN

CASMT PICTURE WDW. TO CASEMENT  
VERTICAL JOIN

Engr: JAVAD AHMAD  
CIVIL  
FLA. PE # 70592  
C.A.N. 3538  
MAY 20 2013

PRODUCT REVISED  
as complying with the Florida  
Building Code  
Acceptance No 13-041101  
Expiration Date Dec. 20, 2017  
By Manuel Jerez  
Miami Dade Product Control

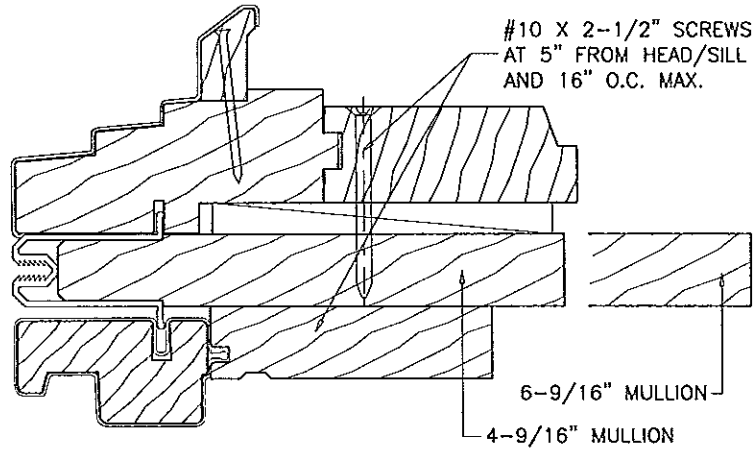
**AL-FAROOQ CORPORATION**  
ENGINEERS & PRODUCT DEVELOPMENT  
1235 S.W. 87 AVE  
MIAMI, FLORIDA 33174  
TEL. (305) 264-8100 FAX. (305) 262-6975  
MULLION\M05-01AC

LAMINATED VENEERED LUMBER MULLION SYSTEM  
**ANDERSEN CORPORATION**  
100 FOURTH AVE. NORTH  
BAYPORT, MN. 55003-1096  
TEL. (800) 426-7691 FAX (-)  
AW

no	date	by	description
A	04.16.10		NO CHANGE THIS SHEET
B	01.26.12		NO CHANGE THIS SHEET
C	11.15.12		NO CHANGE THIS SHEET
D	05.13.13		NO CHANGE THIS SHEET

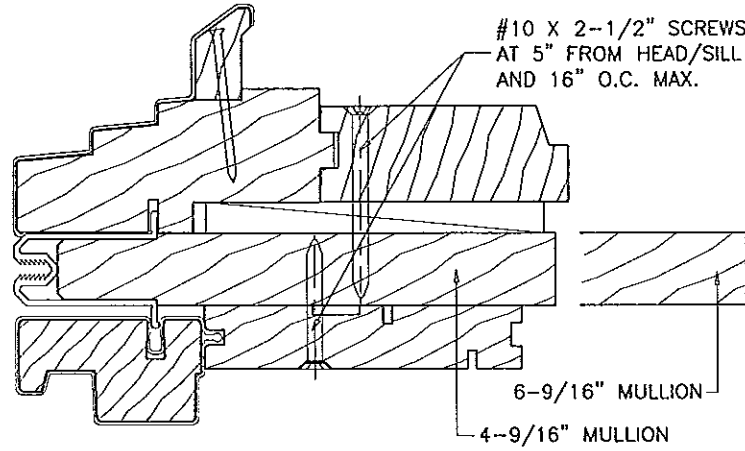
date: 08-15-05  
scale: 1/2" = 1"  
dr. by: HAMID  
chk. by:

drawing no.  
**M05-01**  
sheet 8 of 13



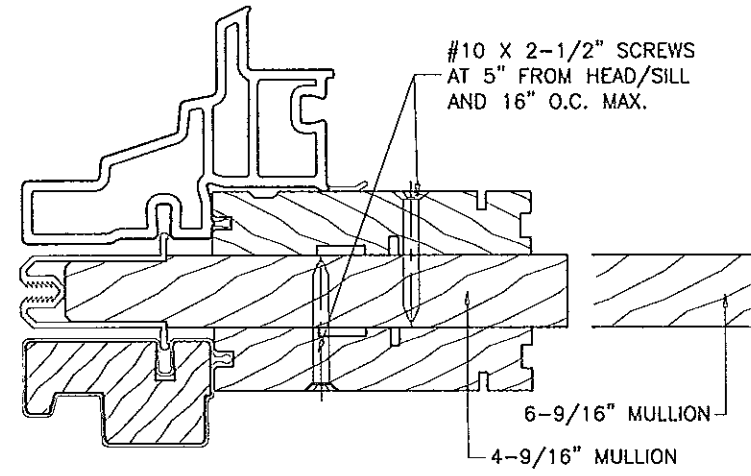
PSNL TO CIRCLE TOP-NL  
HORIZONTAL JOIN

MULLION TYPE	GROUP NO.
4-9/16"	1
6-9/16"	8



400 TW TO CIRCLE TOP-NL  
HORIZONTAL JOIN

MULLION TYPE	GROUP NO.
4-9/16"	1
6-9/16"	9



400 TW TO TW TRANSOM  
HORIZONTAL JOIN

MULLION TYPE	GROUP NO.
4-9/16"	1
6-9/16"	6

VALUES USED GROUP		ALUMINUM COVER	WOOD+MULL 4-9/16"	WOOD+MULL 6-9/16"	TOTAL 'I' IN TERMS OF WOOD
1	Ix IN^4	0.0655	12.2451	-	12.7489
	Sx IN^3	0.0719	4.5182	-	
2	Ix IN^4	0.5801	10.7178	-	15.1801
	Sx IN^3	0.3427	3.7804	-	
3	Ix IN^4	0.5801	11.7200	-	16.1823
	Sx IN^3	0.3427	5.2952	-	
4	Ix IN^4	0.0655	15.6790	-	16.1828
	Sx IN^3	0.0719	8.0691	-	
5	Ix IN^4	0.5801	-	25.1317	29.5940
	Sx IN^3	0.3427	-	6.8663	
6	Ix IN^4	0.5801	-	25.1317	29.5940
	Sx IN^3	0.3427	-	7.8598	
7	Ix IN^4	0.0655	-	29.0902	29.5940
	Sx IN^3	0.0719	-	10.0284	
8	Ix IN^4	0.0655	-	29.0902	29.5940
	Sx IN^3	0.0719	-	10.7842	
9	Ix IN^4	0.0655	-	29.0902	29.5940
	Sx IN^3	0.0719	-	11.9135	

NOTE: TO OBTAIN TOTAL COMBINED 'I' VALUES  
 $E_{ALUM} = 10^7$   
 $E_{WOOD} = 1,300,000 \text{ PSI}$

Engr: JAVAD AHMAD  
 CIVIL  
 FLA. PE # 70592  
 C.A.N. 3538

PRODUCT REVISED  
 as complying with the Florida  
 Building Code  
 Acceptance No 13-0411.01  
 Expiration Date Dec 20, 2017  
 By *Manuel Perez*  
 Miami Dade Product Control

MAY 20 2013

**af c**  
**AL-FAROOQ CORPORATION**  
 ENGINEERS & PRODUCT DEVELOPMENT  
 1235 S.W. 87 AVE  
 MIAMI, FLORIDA 33174  
 TEL. (305) 264-8100 FAX. (305) 262-6978  
 MULLION M05-01AC

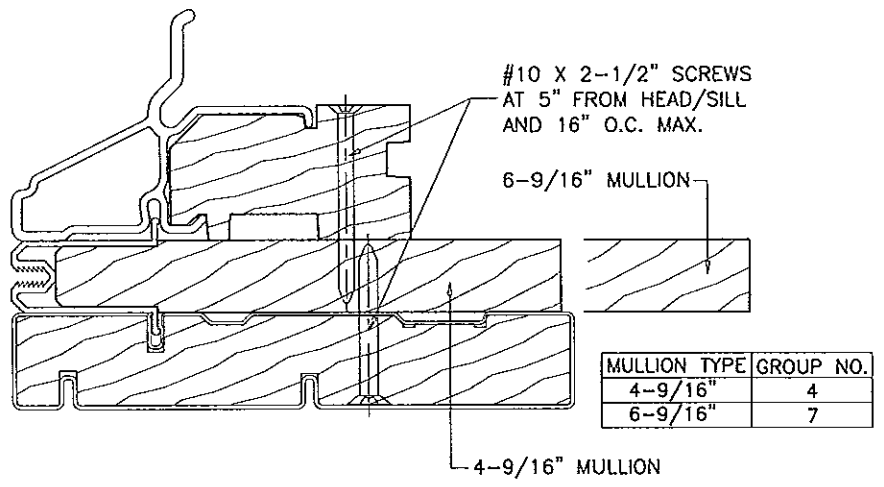
LAMINATED VENEERED LUMBER MULLION SYSTEM  
**ANDERSEN CORPORATION**  
 100 FOURTH AVE. NORTH  
 BAYPORT, MN. 55003-1096  
 TEL. (800) 426-7891 FAX (-)

no	date	by	description
A	04.16.10		NO CHANGE THIS SHEET
B	01.26.12		NO CHANGE THIS SHEET
C	11.15.12		NO CHANGE THIS SHEET
D	05.13.13		NO CHANGE THIS SHEET

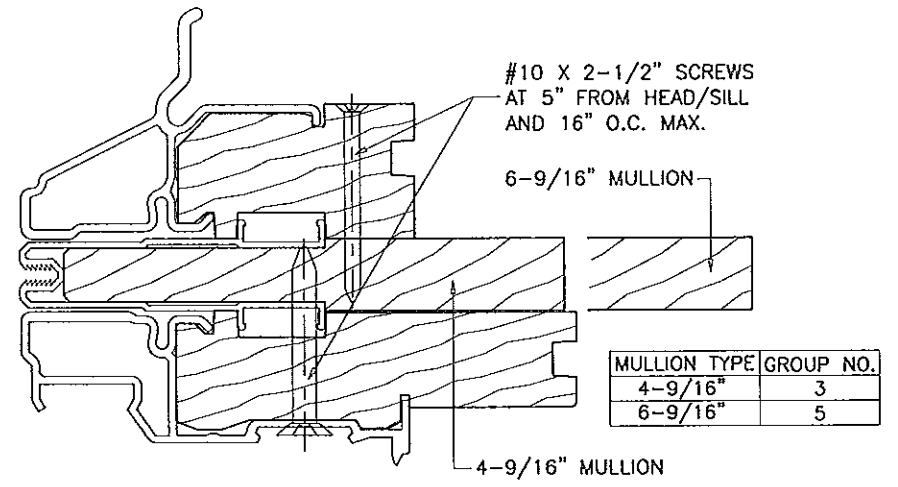
date: 08-15-05  
 scale: 1/2" = 1"  
 dr. by: HAMID  
 chk. by:

drawing no.  
 M05-01

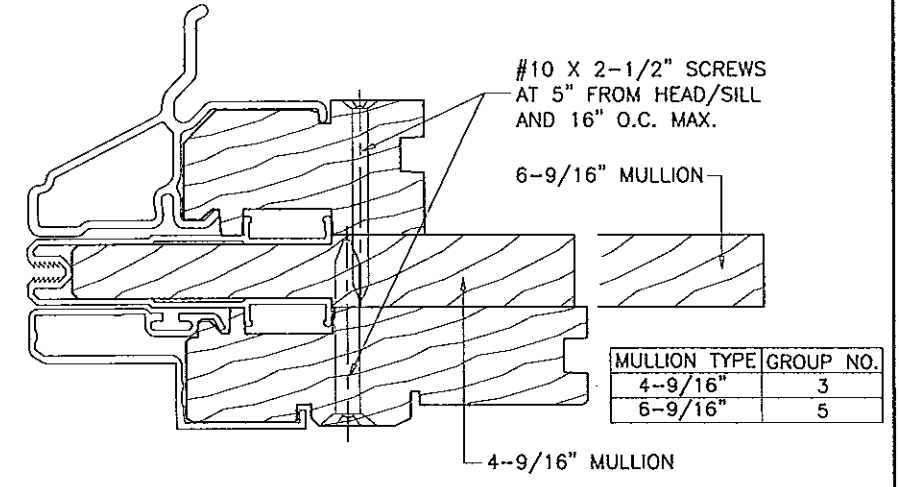
sheet 9 of 13



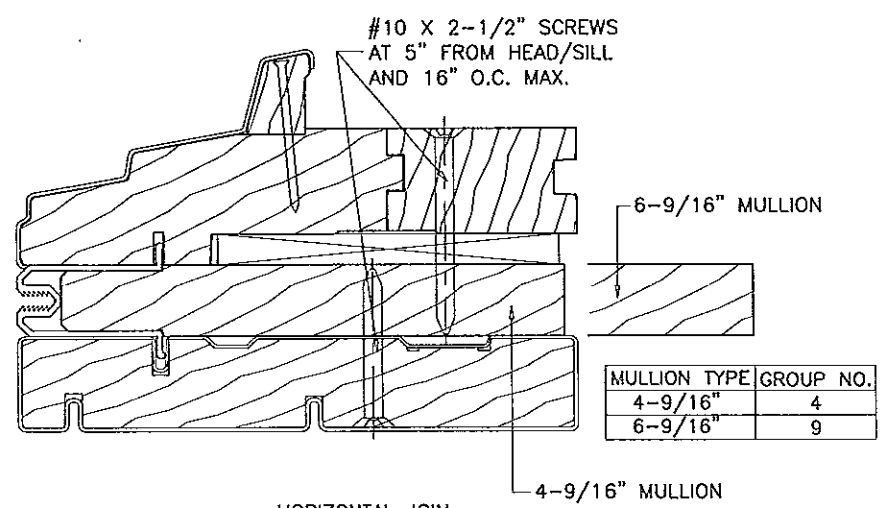
FLEXIFRAME/ARCH/SPRINGLINE TO FW GLIDING DOOR  
HORIZONTAL JOIN



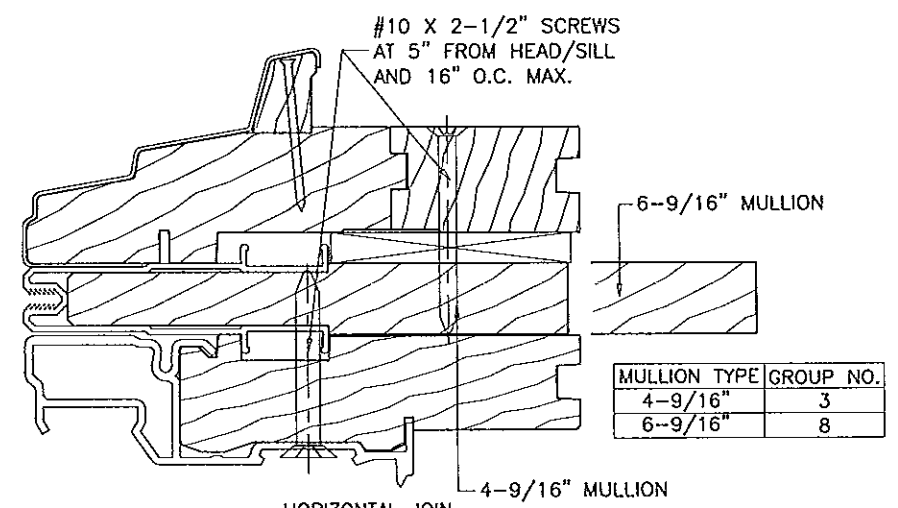
FLEXIFRAME/ARCH/SPRINGLINE TO FWH DOOR  
HORIZONTAL JOIN



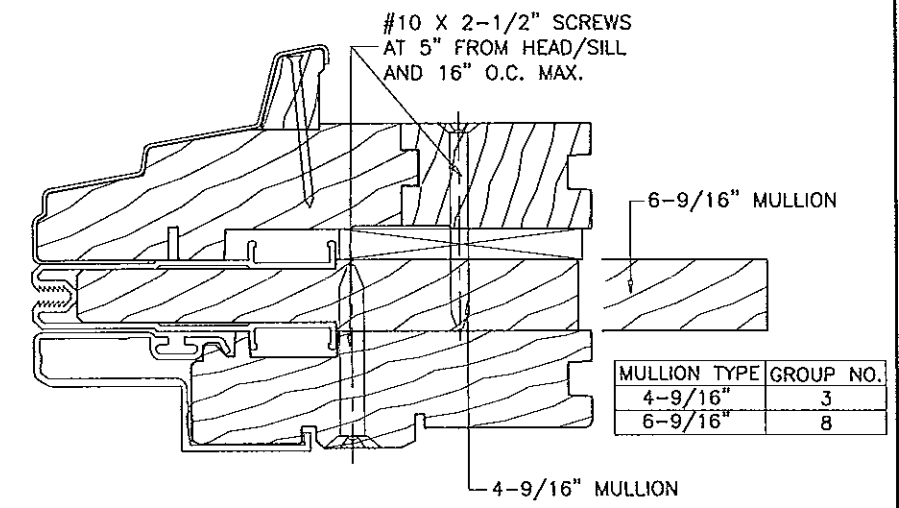
FLEXIFRAME/ARCH/SPRINGLINE TO FWO DOOR  
HORIZONTAL JOIN



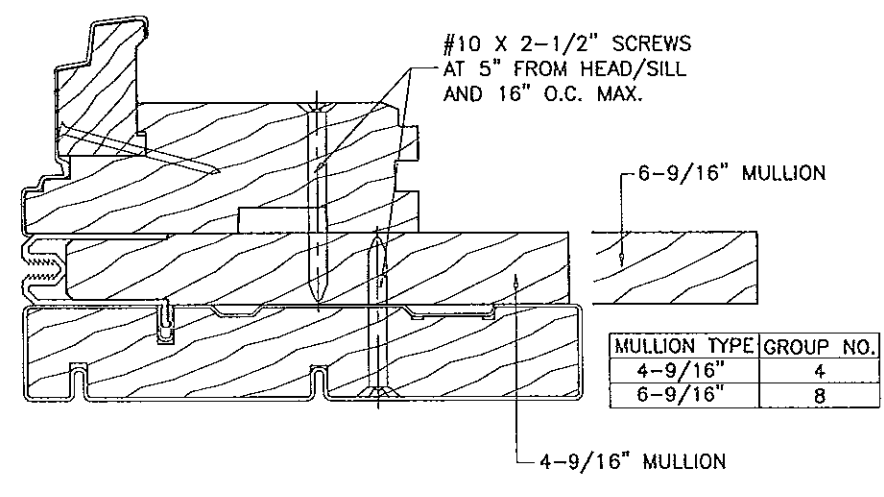
FLEXIFRAME/ARCH/SPRINGLINE TO FW GLIDING DOOR  
HORIZONTAL JOIN



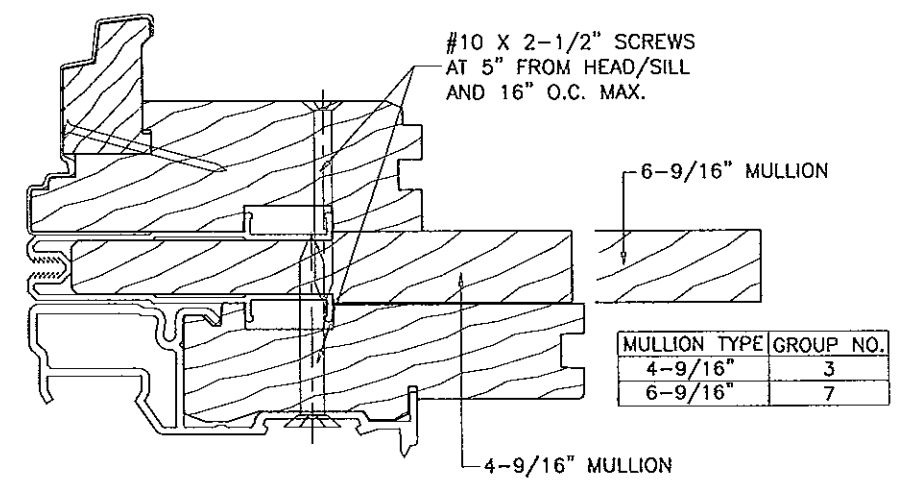
FLEXIFRAME/ARCH/SPRINGLINE TO FWH DOOR  
HORIZONTAL JOIN



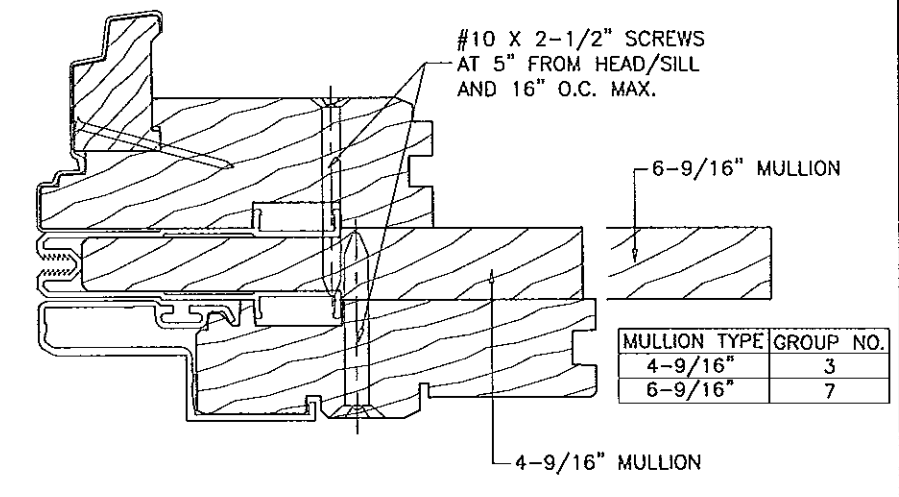
FLEXIFRAME/ARCH/SPRINGLINE TO FWO DOOR  
HORIZONTAL JOIN



PSCA PICTURE WDW TO FW GLIDING DOOR  
HORIZONTAL JOIN



PSCA PICTURE WDW TO FWH DOOR  
HORIZONTAL JOIN



PSCA PICTURE WDW TO FWO DOOR  
HORIZONTAL JOIN

SEE SHEET 9 FOR 'I' VALUES OF VARIOUS GROUPS

Engr: JAVAD AHMAD  
CIVIL  
FLA. PE # 70592  
C.A.N. 3538  
MAY 20 2013

PRODUCT REVISED  
as complying with the Florida  
Building Code  
Acceptance No. 13-0411-01  
Expiration Date Dec 20, 2017  
By *Mauro Perez*  
Miami Dade Product Control

**af c**  
**AL-FAROOQ CORPORATION**  
ENGINEERS & PRODUCT DEVELOPMENT  
1235 S.W. 87 AVE  
MIAMI, FLORIDA 33174  
TEL. (305) 264-8100 FAX. (305) 262-6978  
MULLION\M05-01AC

LAMINATED VENEERED LUMBER MULLION SYSTEM  
**ANDERSEN CORPORATION**  
100 FOURTH AVE. NORTH  
BAYPORT, MN. 55003-1096  
TEL. (800) 426-7681 FAX (-)  
**AW**

no.	date	by	description
A	04.16.10		NO CHANGE THIS SHEET
B	01.26.12		NO CHANGE THIS SHEET
C	11.15.12		NO CHANGE THIS SHEET
D	05.13.13		NO CHANGE THIS SHEET

date: 08-15-05  
scale: 1/2" = 1"  
dr. by: HAMID  
chk. by:

drawing no.  
**M05-01**

ADDL. BRACKET REQD.  
FOR CONC./MASONRY INSTALLATIONS ONLY  
WITH (2) ANCHORS TYPE 'B'  
IN OUTER 2 HOLES OF BRACKET

HEAD/SILL BRACKET  
(1) REQD. AT MULL END FOR WOOD & METAL STRUCTURES  
(2) REQD. AT MULL END FOR CONC./MASONRY STRUCTURES

4-9/16" MULLION  
6-9/16" MULLION  
CONNECTION DETAIL W/ BRACKET

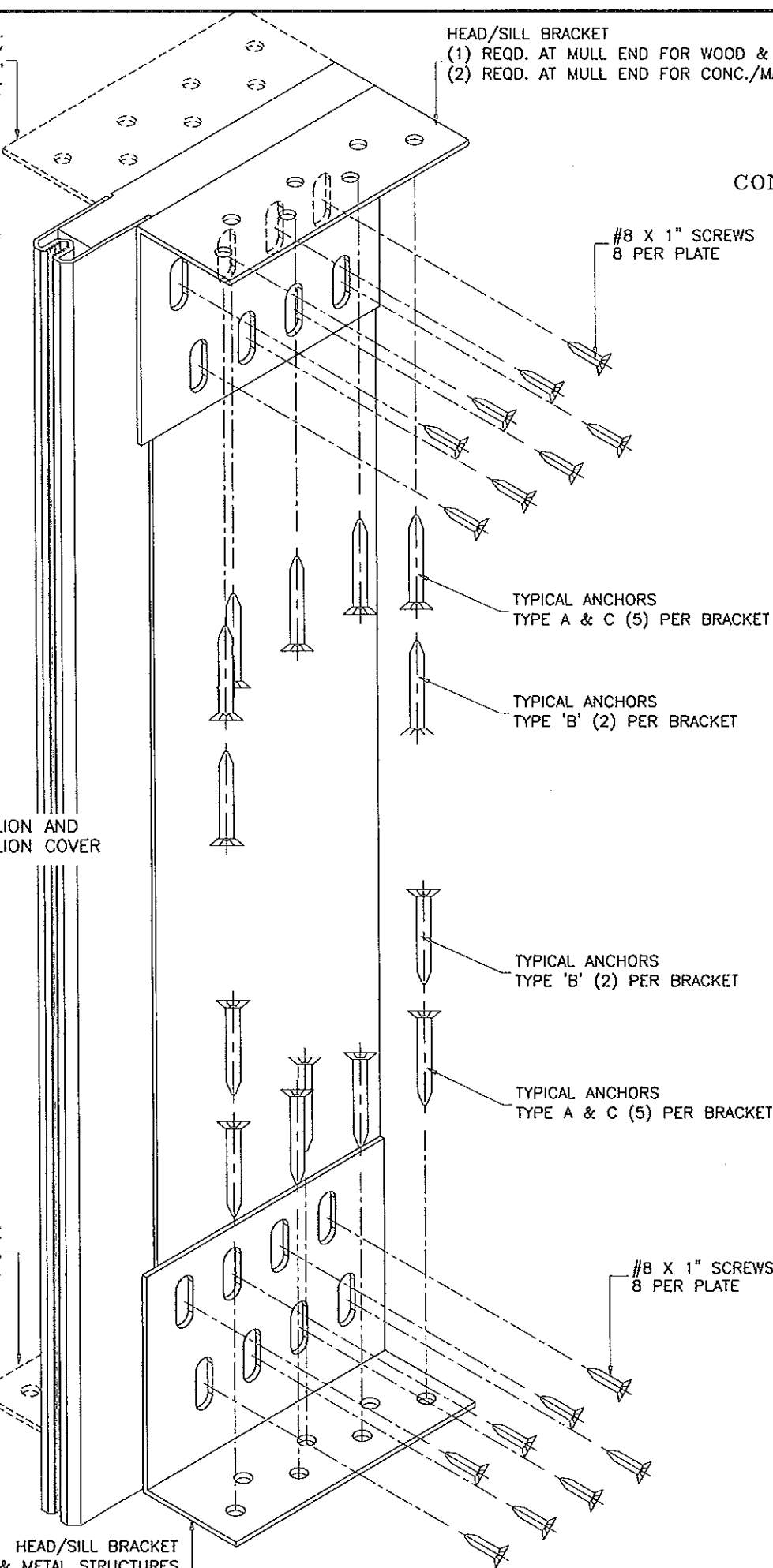
VERT. MULL  
HEAD CONNECTION

HORIZ. MULL  
JAMB CONNECTION

MULLION AND  
MULLION COVER

ADDL. BRACKET REQD.  
FOR CONC./MASONRY INSTALLATIONS ONLY  
WITH (2) ANCHORS TYPE 'B'  
IN OUTER 2 HOLES OF BRACKET

VERT. MULL  
SILL CONNECTION



#8 X 1" SCREWS  
8 PER PLATE

TYPICAL ANCHORS  
TYPE A & C (5) PER BRACKET

TYPICAL ANCHORS  
TYPE 'B' (2) PER BRACKET

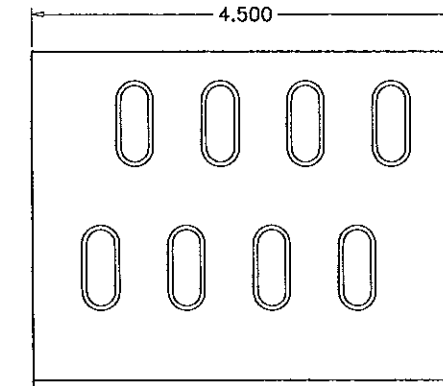
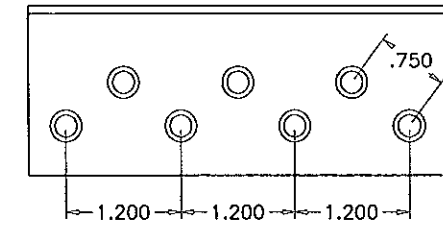
TYPICAL ANCHORS  
TYPE 'B' (2) PER BRACKET

TYPICAL ANCHORS  
TYPE A & C (5) PER BRACKET

#8 X 1" SCREWS  
8 PER PLATE

HEAD/SILL BRACKET

(1) REQD. AT MULL END FOR WOOD & METAL STRUCTURES  
(2) REQD. AT MULL END FOR CONC./MASONRY STRUCTURES



HEAD/SILL BRACKET  
14 GA. ZINC PLATED STEEL

**TYPICAL ANCHORS:** SEE ELEV. FOR SPACING

TYPE 'A'- 1/4" DIA. ULTRACON BY 'ELCO' (Fu=177 KSI, Fy=155 KSI)  
INTO 2BY WOOD BUCKS OR WOOD STRUCTURES  
1-1/2" MIN. PENETRATION INTO WOOD

TYPE 'B'- 1/4" DIA. ULTRACON BY 'ELCO' (Fu=177 KSI, Fy=155 KSI)  
THRU 1BY BUCKS INTO CONC. OR MASONRY  
1-1/4" MIN. EMBED INTO CONC. OR MASONRY  
DIRECTLY INTO CONC. OR MASONRY  
1-1/4" MIN. EMBED INTO CONC. OR MASONRY

TYPE 'C'- #12 SMS OR SELF DRILLING SCREWS (GRADE 2 CRS)  
INTO METAL STRUCTURES  
STEEL : 12 GA. MIN. (Fy = 36 KSI MIN.)  
ALUMINUM : 1/8" THK. MIN. (6063-T5 MIN.)  
(STEEL IN CONTACT WITH ALUMINUM TO BE PLATED OR PAINTED)

**TYPICAL EDGE DISTANCE**

INTO CONCRETE AND MASONRY = 2" MIN.  
INTO WOOD STRUCTURE = 1" MIN.  
INTO METAL STRUCTURE = 3/4" MIN.

**ANCHORS CL TO CL DISTANCES**

INTO CONCRETE AND MASONRY = 3" MIN.  
INTO WOOD STRUCTURE = 3/4" MIN.  
INTO METAL STRUCTURE = 3/4" MIN.

CONCRETE AT HEAD, SILL OR JAMBS f'c = 3000 PSI MIN.  
C-90 HOLLOW/FILLED BLOCK AT JAMBS f'm = 2000 PSI MIN.

PRODUCT REVISED  
as complying with the Florida  
Building Code  
Acceptance No 13-0411.01  
Expiration Date Dec 20, 2017  
By Manuel Torres  
Miami Trade Product Control

**af c**  
**AL-FAROOQ CORPORATION**  
ENGINEERS & PRODUCT DEVELOPMENT  
1235 S.W. 87 AVE  
MIAMI, FLORIDA 33174  
TEL. (305) 264-8100 FAX. (305) 262-6978  
MULLION\M05-01AC

LAMINATED VENEERED LUMBER MULLION SYSTEM  
**ANDERSEN CORPORATION**  
100 FOURTH AVE. NORTH  
BAYPORT, MN. 55003-1096  
TEL (800) 426-7891 FAX (-)  
AW

no	date	description	by
A	04.16.10	NO CHANGE THIS SHEET	
B	01.26.12	NO CHANGE THIS SHEET	
C	11.15.12	ANCHORS REVISED	
D	05.13.13	NO CHANGE THIS SHEET	

date: 08-15-05  
scale: 1/2" = 1"  
dr. by: HAMID  
chk. by:

Engr: JAVAD AHMAD  
CIVIL  
FLA. PE # 70592  
C.A.N. 3538  
**MAY 20 2013**

drawing no.  
**M05-01**  
sheet 11 of 13

**TYPICAL ANCHORS:** SEE ELEV. FOR SPACING

TYPE 'A' - 1/4" DIA. ULTRACON BY 'ELCO' (Fu=177 KSI, Fy=155 KSI)  
 INTO 2BY WOOD BUCKS OR WOOD STRUCTURES  
 1-1/2" MIN. PENETRATION INTO WOOD

TYPE 'B' - 1/4" DIA. ULTRACON BY 'ELCO' (Fu=177 KSI, Fy=155 KSI)  
 THRU 1BY BUCKS INTO CONC. OR MASONRY  
 1-1/4" MIN. EMBED INTO CONC. OR MASONRY  
 DIRECTLY INTO CONC. OR MASONRY  
 1-1/4" MIN. EMBED INTO CONC. OR MASONRY

TYPE 'D' - #8 SMS OR SELF DRILLING SCREWS (GRADE 2 CRS)  
 INTO METAL STRUCTURES  
 STEEL : 12 GA. MIN. (Fy = 36 KSI MIN.)  
 ALUMINUM : 1/8" THK. MIN. (6063-T5 MIN.)  
 (STEEL IN CONTACT WITH ALUMINUM TO BE PLATED OR PAINTED)

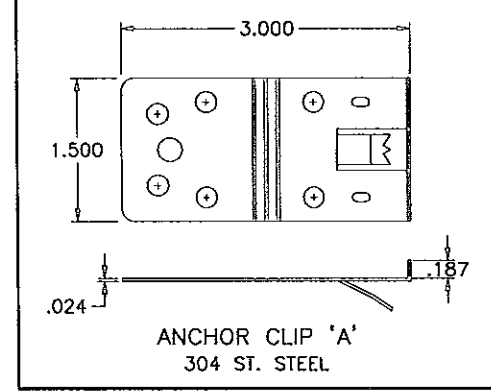
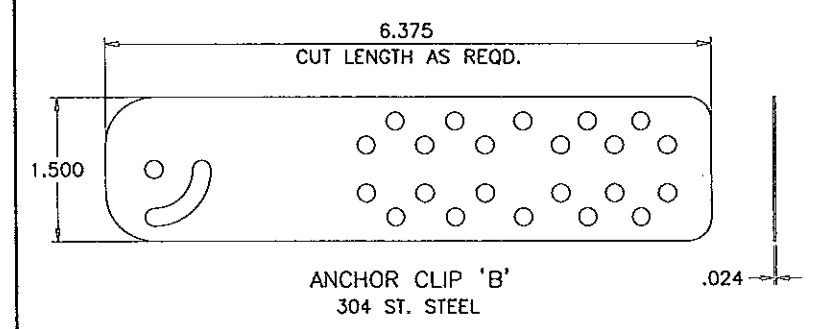
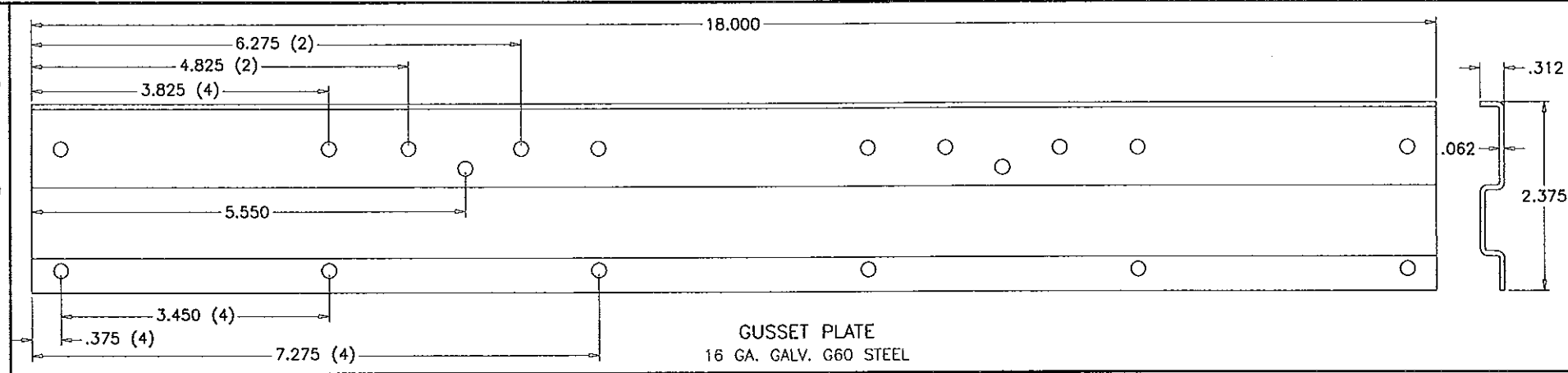
**TYPICAL EDGE DISTANCE**

INTO CONCRETE AND MASONRY = 1-1/4" MIN.  
 INTO WOOD STRUCTURE = 1" MIN.  
 INTO METAL STRUCTURE = 3/4" MIN.

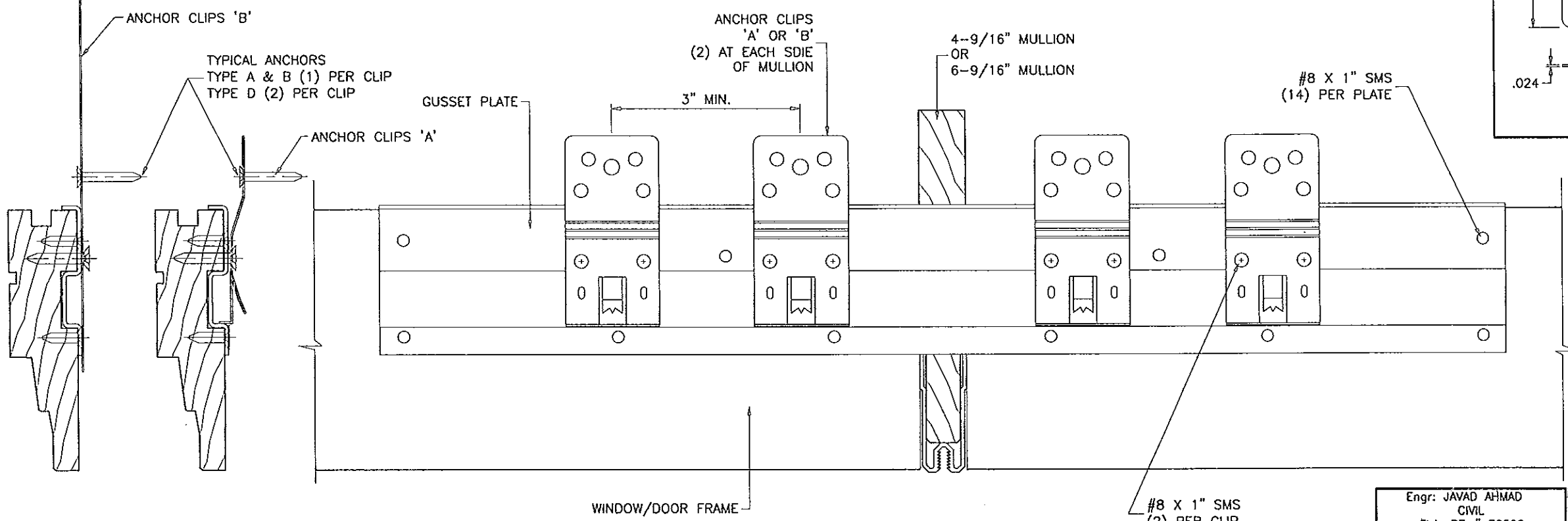
**ANCHORS CL TO CL DISTANCES**

INTO CONCRETE AND MASONRY = 3" MIN.  
 INTO WOOD STRUCTURE = 3/4" MIN.  
 INTO METAL STRUCTURE = 3/4" MIN.

CONCRETE AT HEAD, SILL OR JAMBS f'c = 3000 PSI MIN.  
 C-90 HOLLOW/FILLED BLOCK AT JAMBS f'm = 2000 PSI MIN.



4-9/16" MULLION  
 6-9/16" MULLION  
 CONNECTION DETAIL W/ GUSSET PLATE



GUSSET PLATE FASTENED TO HEAD OR SILL OF TWO ADJACENT DOOR/WINDOW FRAMES.  
 ANCHOR CLIPS ATTACHED TO GUSSET PLATES AS SHOWN ABOVE.  
 SEE SHEET 12.1 FOR ILLUSTRATION

Engr: JAVAD AHMAD  
 CIVIL  
 FLA. PE # 70592  
 C.A.N. 3538  
 MAY 20 2013

PRODUCT REVISED  
 as complying with the Florida  
 Building Code  
 Acceptance No. 13-041-01  
 Expiration Date Dec. 20, 2017  
 By *Muhammad J. Jara*  
 Miami Dade Product Control

**af c**  
**AL-FAROOQ CORPORATION**  
 ENGINEERS & PRODUCT DEVELOPMENT  
 1235 S.W. 87 AVE  
 MIAMI, FLORIDA 33174  
 TEL. (305) 264-8100 FAX. (305) 262-6978  
 MULLION M05-01AC

LAMINATED VENEERED LUMBER MULLION SYSTEM  
**ANDERSEN CORPORATION**  
 100 FOURTH AVE. NORTH  
 BAYPORT, MN. 55003-1096  
 TEL. (800) 426-7891 FAX (-)

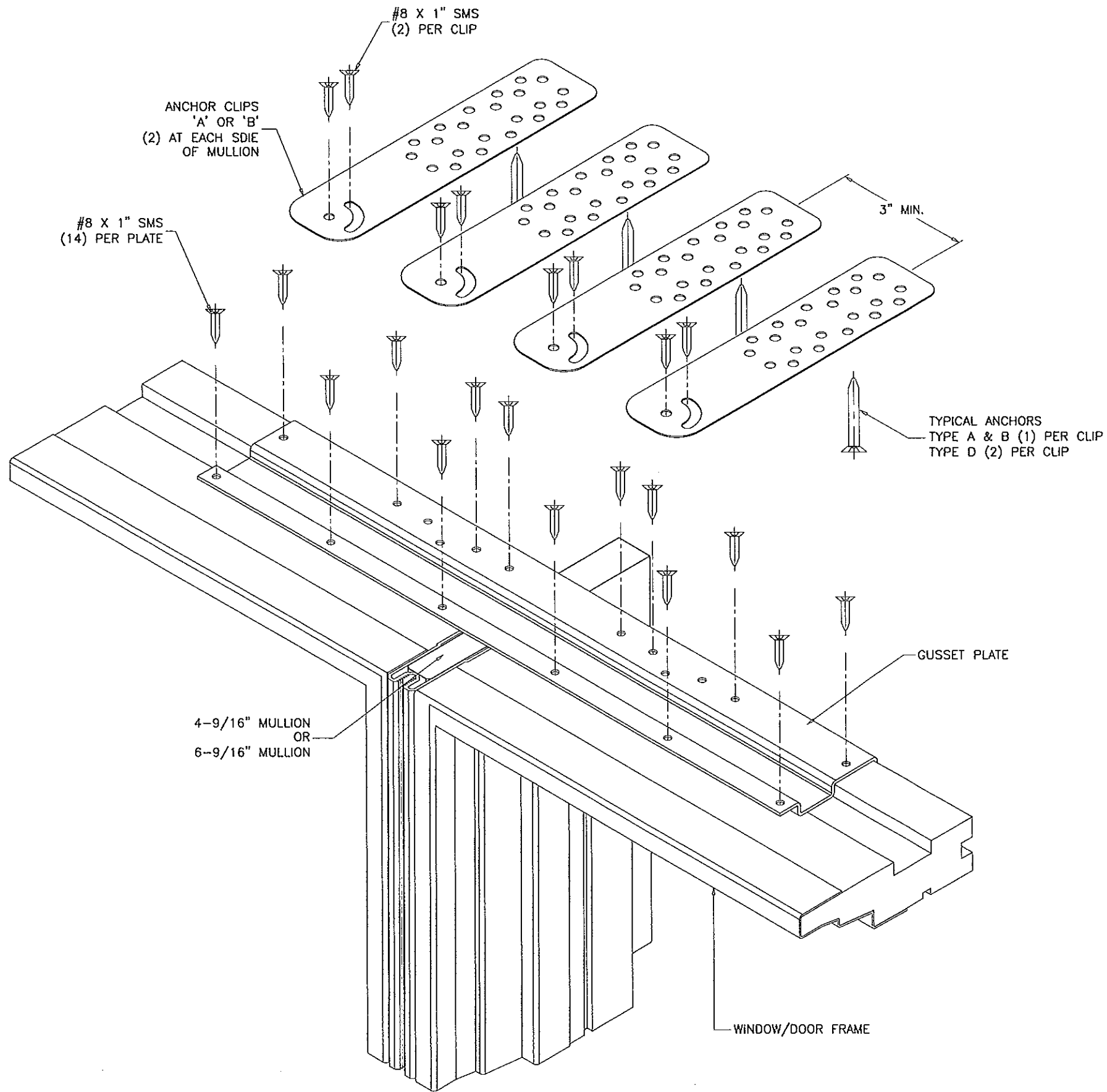
Revisions:		by description	
no	date		
C	11.15.12	GUSSET PLATE OPTION ADDED	
D	05.13.13	REV. PER PER COMMENTS	

date:	08-15-05
scale:	1/2" = 1"
dr. by:	HAMID
chk. by:	

drawing no.	M05-01
sheet	12 of 13




Engr: JAVAD AHMAD  
 CIVIL  
 FLA. PE # 70592  
 C.A.N. 3538

**MAY 20 2013**

PRODUCT REVISED  
 as complying with the Florida  
 Building Code  
 Acceptance No. 13-0411-01  
 Expiration Date Dec 30, 2017

By *Manuel Jerez*  
 Miami Dade Product Control




---

**AL-FAROQQ CORPORATION**  
 ENGINEERS & PRODUCT DEVELOPMENT  
 1235 S.W. 87 AVE  
 MIAMI, FLORIDA 33174  
 TEL. (305) 264-8100 FAX. (305) 262-6978  
 MULLION\M05-01AC

---

LAMINATED VENEERED LUMBER MULLION SYSTEM

**ANDERSEN CORPORATION**  
 100 FOURTH AVE. NORTH  
 BAYPORT, MN. 55003-1096  
 TEL. (800) 426-7691 FAX (-)




---

revisions:	
no	date by description
D	05.13.13 REV. PER PER COMMENTS

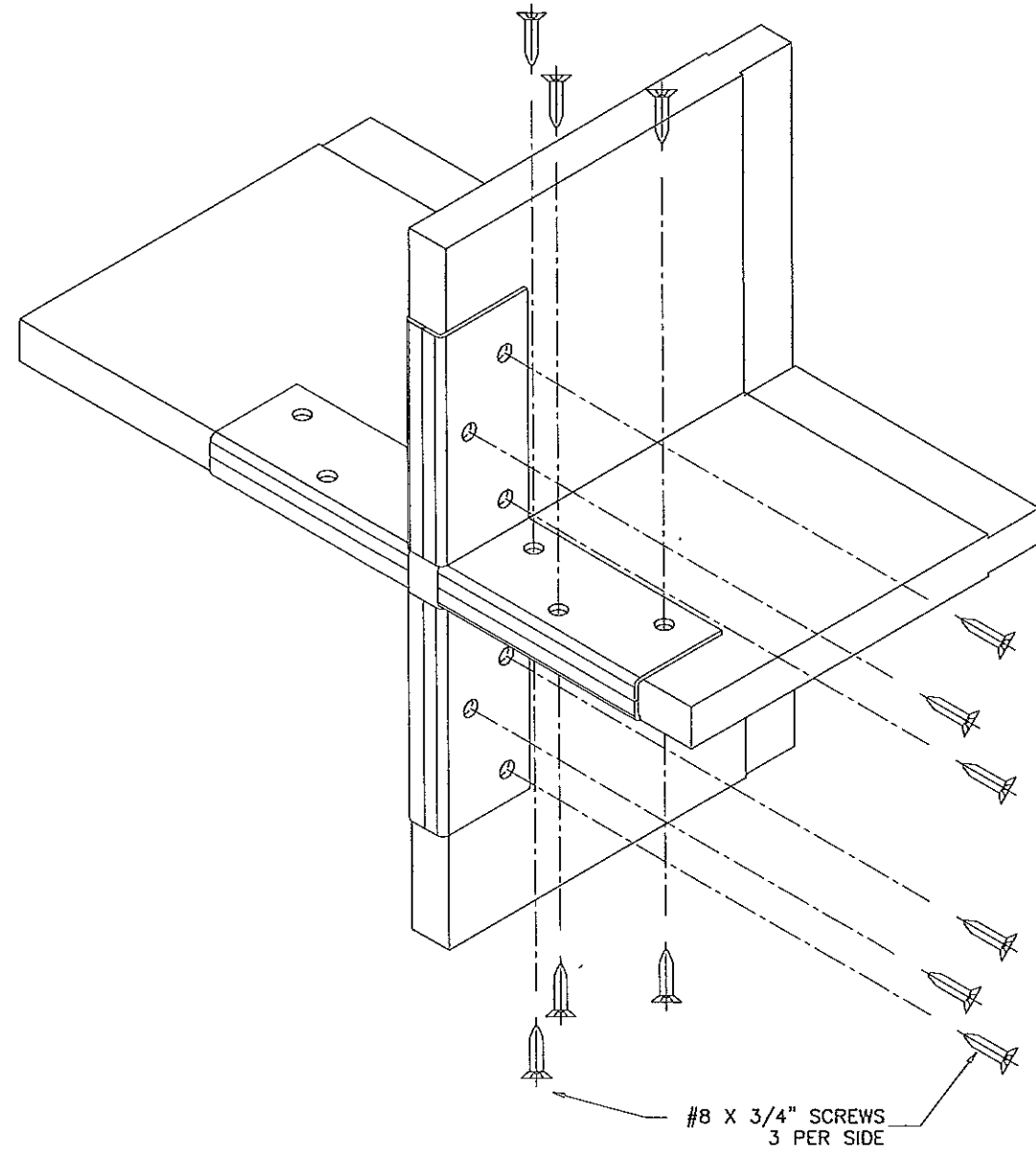
---

date: 08-15-05	scale: 1/2" = 1"	dr. by: HAMID	chk. by:
----------------	------------------	---------------	----------

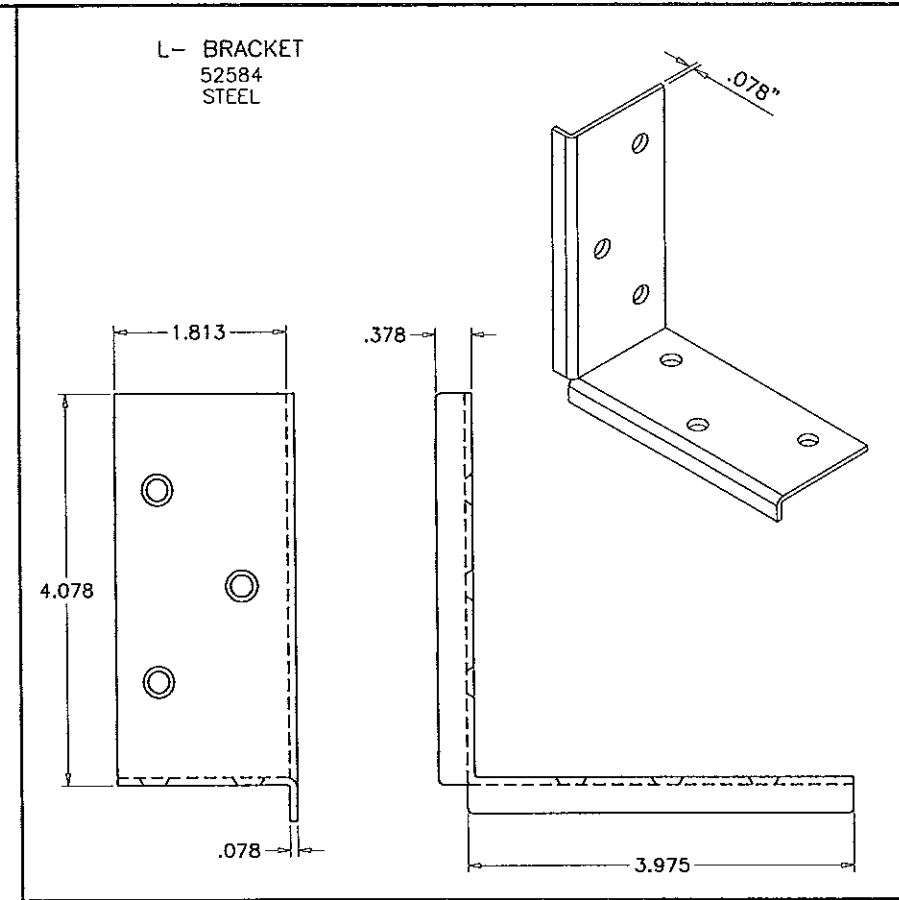
---

drawing no.  
**M05-01**

sheet 12.1 of 13



VERT. MULLION CONNECTION TO HORIZONTAL MULLION



Engr: JAVAD AHMAD  
 CIVIL  
 FLA. PE # 70592  
 C.A.N. 3538


MAY 20 2013

PRODUCT REVISED  
 as complying with the Florida  
 Building Code  
 Acceptance No 13-0411.01  
 Expiration Date Dec 20, 2017

By *Manuel Perez*  
 Miami Dade Product Control

**af c**  
**AL-FAROOQ CORPORATION**  
 ENGINEERS & PRODUCT DEVELOPMENT  
 1235 S.W. 87 AVE  
 MIAMI, FLORIDA 33174  
 TEL. (305) 264-8100 FAX. (305) 262-6978  
 MULLION\M05-01AC

LAMINATED VENEERED LUMBER MULLION SYSTEM  
**ANDERSEN CORPORATION**  
 100 FOURTH AVE. NORTH  
 BAYPORT, MN. 55003-1096  
 TEL. (800) 426-7691 FAX (-)



no	date	description
A	04.16.10	NO CHANGE THIS SHEET
B	01.26.12	NO CHANGE THIS SHEET
C	11.15.12	NO CHANGE THIS SHEET
D	05.13.13	REV. PER PER COMMENTS

date: 08-15-05  
 scale: 1/2" = 1"  
 dr. by: HAMID  
 chk. by:

drawing no.  
**M05-01**  
 sheet 13 of 13