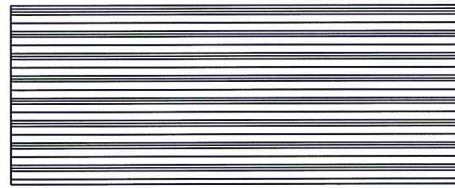


**LVL WOOD MULLION**



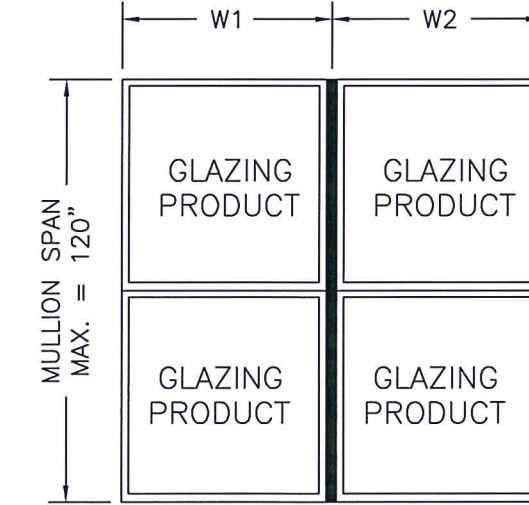
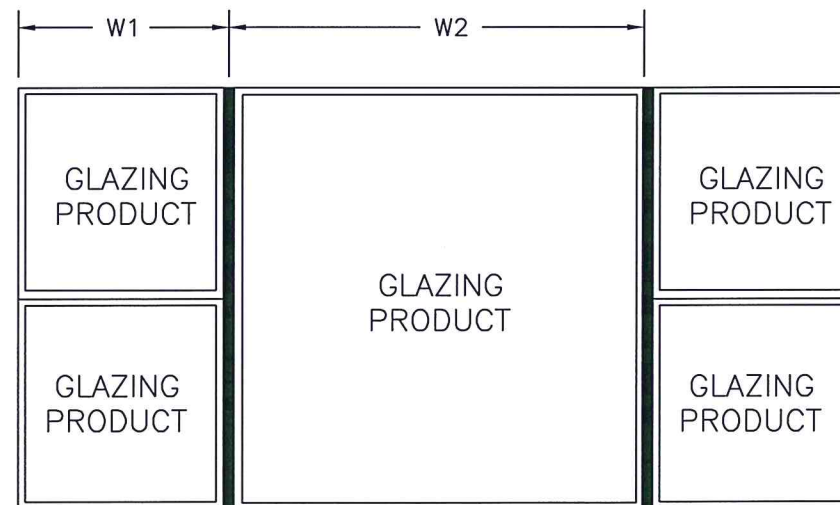
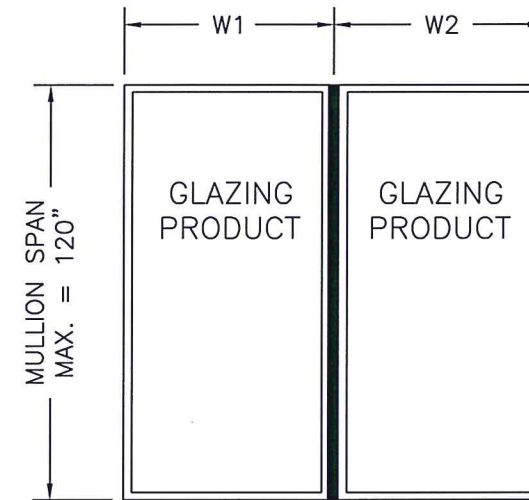
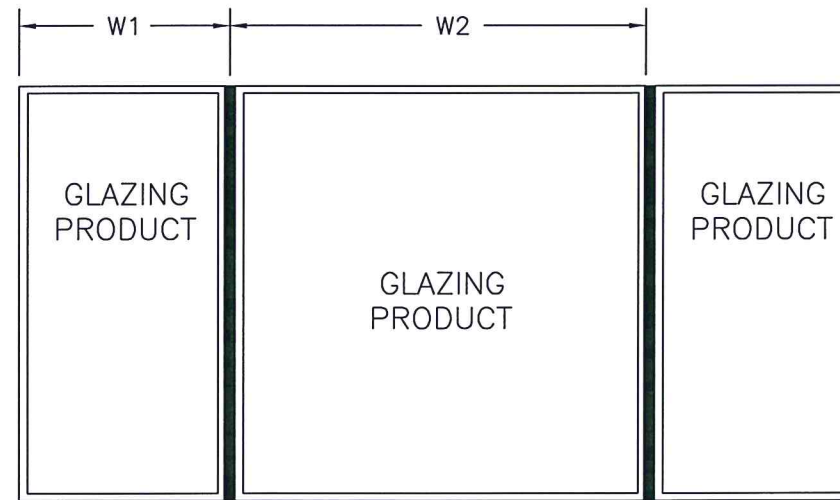
**2" x 5" LVL WOOD MULLION**

**GENERAL NOTES:**

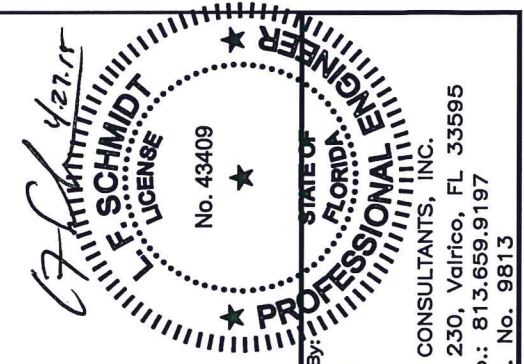
1. This product has been evaluated and is in compliance with the 5th Edition (2014) Florida Building Code (FBC) structural requirements excluding the "High Velocity Hurricane Zone".
2. When used in areas requiring wind borne debris protection this product complies with Section 1609.1.2 of the FBC and does not require an impact resistant covering. This product meets missile level "D" and excludes Wind Zone 4 as defined in ASTM E 1996 and Section 1609.1.2.2 of the FBC.
3. Wood bucks by others, must be anchored properly to transfer loads to the structure and be reviewed by the Building Official.
4. Mullion anchor embedment to base material shall be beyond wall dressing or stucco.
5. Separate product approvals for each glazing product used with these mullions must be submitted along with this mullion product approval.
6. Anchoring of each glazing product to the mullion shall be as shown in each individual glazing product approval.
7. Any conditions not covered in this evaluation are subject to separate Engineering evaluation.
8. Mullion design pressure rating, see load rating table sheets 2 - 6 of this drawing.
9. The design pressure rating of the assembly shall be the lesser of the load capacity of the mullion as determined using this approval or the design pressure rating of the individual glazing products used.

**TABLE OF CONTENTS**

SHEET #	DESCRIPTION
1	Typical Elevations & General Notes
2	Mullion Load Table: Anchor Clip B5 (Concrete Screws)
3	Mullion Load Table: Anchor Clip B5 (Wood Screws)
4	Mullion Load Table: Anchor Clip B2 (Concrete Screws)
5	Mullion Load Table: Anchor Clip B2 (Wood Screws)
6	Mullion Load Table: Anchor Plate (Wood/Concrete Screws)
7	Anchor Clip B5: Anchoring Details
8	Anchor Clip B2: Anchoring Details
9	Mullion Anchor Plate: Anchoring Details



**TYPICAL MULLION CONFIGURATIONS**

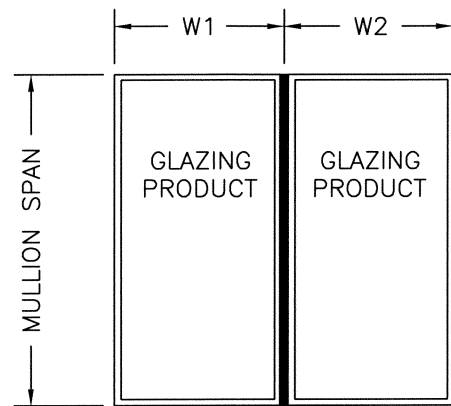


Documents Prepared By:  
 Lyndon F. Schmidt  
 P.E. No. 43409  
 R.W. BUILDING CONSULTANTS, INC.  
 P.O. Box 230, Vairico, FL 33595  
 Phone No.: 813.659.9197  
 FBPE C.A. No. 9813

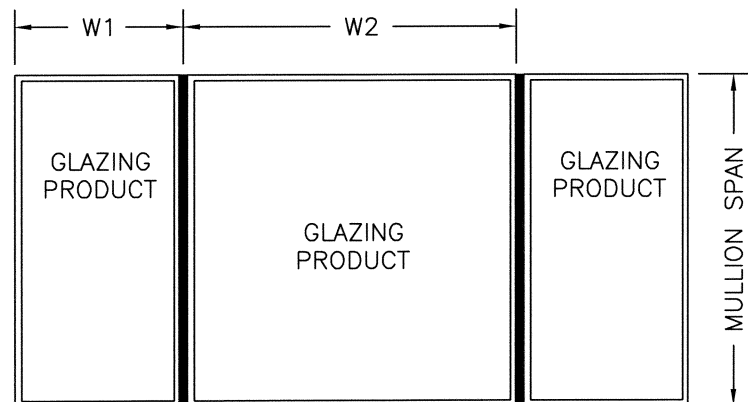
PRODUCT: STRUCTURAL MULLION  
 PART OR ASSEMBLY: TYPICAL ELEVATION & GENERAL NOTES

NO.	DATE	DESCRIPTION	LFS	BY
1	4/17/15	UPDATE TO 5TH ED. (2014) FBC		

DATE: 02/28/12  
 SCALE: NTS  
 DWG. BY: EW  
 CHK. BY: LFS  
 DRAWING NO.: FL-15267.7  
 SHEET 1 OF 9



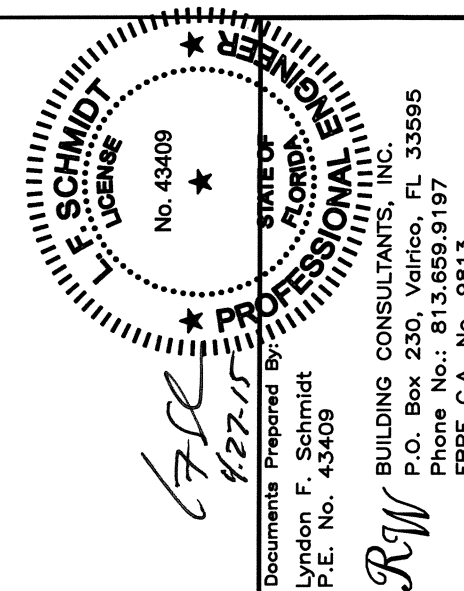
$$\text{TRIBUTARY WIDTH} = \frac{W1 + W2}{2}$$



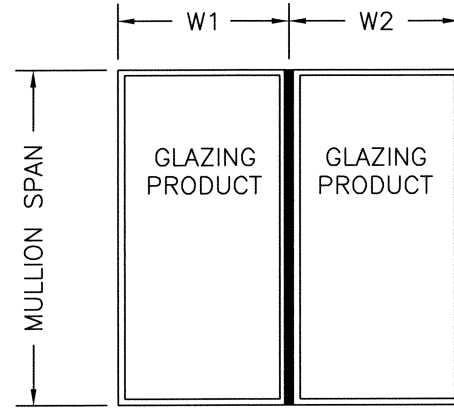
CONCRETE SCREW	2" x 5" LVL STRUCTURAL BEAM MULLION LOAD TABLE (PSF) - ANCHOR CLIP B5													
	TRIBUTARY WIDTH													
	24.0"	28.0"	30.0"	32.0"	34.0"	36.0"	38.0"	40.0"	42.0"	44.0"	46.0"	48.0"	50.0"	
120.0"	41.89	36.58	34.47	32.63	31.00	29.57	28.29	27.14	26.11	25.18	24.33	23.56	22.86	
116.0"	43.50	38.02	35.83	33.93	32.26	30.78	29.46	28.28	27.21	26.25	25.38	24.59	23.86	
112.0"	45.24	39.57	37.31	35.34	33.61	32.09	30.72	29.50	28.41	27.42	26.52	25.70	24.96	
108.0"	47.13	41.25	38.92	36.88	35.09	33.51	32.10	30.85	29.71	28.69	27.77	26.93	26.16	
104.0"	49.17	43.09	40.67	38.56	36.71	35.07	33.61	32.31	31.15	30.09	29.14	28.28	27.49	
100.0"	51.41	45.09	42.58	40.39	38.47	36.78	35.27	33.93	32.72	31.64	30.65	29.76	28.95	
96.0"	53.86	47.29	44.68	42.41	40.42	38.67	37.11	35.72	34.47	33.35	32.33	31.42	30.57	
92.0"	56.55	49.71	47.00	44.64	42.58	40.76	39.14	37.70	36.41	35.25	34.21	33.24	32.33	
88.0"	59.53	52.40	49.58	47.13	44.98	43.09	41.41	39.92	38.58	37.39	36.29	35.25	34.27	
84.0"	62.83	55.40	52.45	49.90	47.66	45.70	43.96	42.41	41.03	39.77	38.58	37.47	36.41	
80.0"	66.53	58.75	55.68	53.02	50.69	48.65	46.84	45.24	43.78	42.41	41.13	39.92	38.78	
76.0"	70.69	62.54	59.33	56.55	54.13	52.00	50.13	48.43	46.84	45.35	43.96	42.65	41.41	
72.0"	75.40	66.86	63.49	60.59	58.06	55.85	53.86	52.00	50.27	48.65	47.13	45.70	44.35	
68.0"	80.79	71.81	68.29	65.25	62.62	60.25	58.06	56.02	54.13	52.35	50.69	49.13	47.66	
64.0"	87.00	77.55	73.86	70.69	67.86	65.25	62.83	60.59	58.50	56.55	54.73	53.02	51.41	
60.0"	94.25	84.30	80.43	77.00	73.86	70.96	68.29	65.80	63.49	61.34	59.33	57.45	55.68	
56.0"	102.82	92.33	88.13	84.30	80.79	77.55	74.57	71.81	69.24	66.86	64.63	62.54	60.59	
52.0"	113.10	101.85	97.12	92.80	88.85	85.22	81.88	78.79	75.93	73.26	70.78	68.46	66.29	
48.0"	125.67	113.10	107.71	102.82	98.35	94.25	90.48	87.00	83.78	80.79	78.00	75.40	72.97	
44.0"	141.01	126.55	120.37	114.77	109.67	105.01	100.72	96.77	93.12	89.73	86.58	83.65	80.91	
40.0"	150.00	142.86	135.72	129.26	123.38	118.02	113.10	108.58	104.40	100.53	96.94	93.60	90.48	
36.0"	150.00	150.00	150.00	147.12	140.28	134.04	128.34	123.10	118.27	113.81	109.67	105.82	102.24	
32.0"	150.00	150.00	150.00	150.00	150.00	150.00	147.52	141.38	135.72	130.50	125.67	121.18	117.00	
28.0"	150.00	150.00	150.00	150.00	150.00	150.00	150.00	150.00	150.00	150.00	146.33	141.01	136.06	
24.0"	150.00	150.00	150.00	150.00	150.00	150.00	150.00	150.00	150.00	150.00	150.00	150.00	150.00	
20.0"	150.00	150.00	150.00	150.00	150.00	150.00	150.00	150.00	150.00	150.00	150.00	150.00	150.00	

**INSTRUCTIONS FOR USE OF THE MULLION LOAD TABLE:**

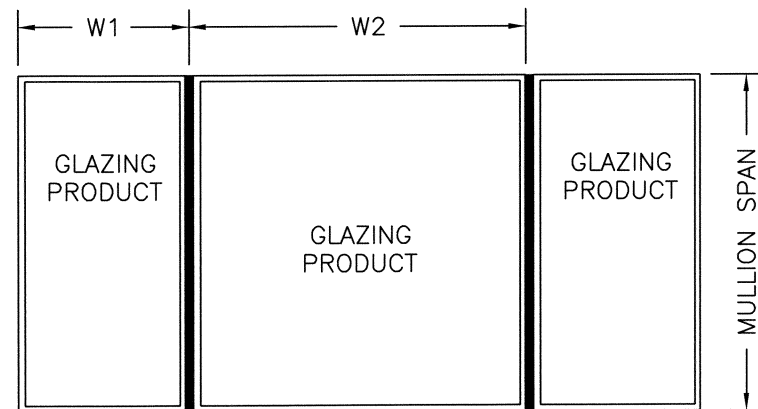
1. DETERMINE THE DESIGN LOAD REQUIREMENT PER CHAPTER 16 OF THE FBC FOR THE PARTICULAR OPENING.
2. FOR THE PARTICULAR OPENING, DETERMINE THE TRIBUTARY WIDTH AND MULLION SPAN. REFERENCE THE SKETCHES ON THIS SHEET FOR MULLION SPAN AND TRIBUTARY WIDTH DETERMINATION.
3. IN THE FIRST COLUMN OF THE TABLE, LOCATE THE MULLION SPAN. IN THE FIRST ROW OF THE TABLE, LOCATE THE TRIBUTARY WIDTH. AT THE INTERSECTION OF THE ROW CONTAINING THE MULLION SPAN AND THE COLUMN CONTAINING THE TRIBUTARY WIDTH, READ THE MULLION LOAD RATING GIVEN IN PSF. THE MULLION LOAD RATING MUST BE EQUAL TO OR GREATER THAN THE DESIGN LOAD REQUIREMENT DETERMINED IN STEP 1 ABOVE.



PRODUCT:	STRUCTURAL MULLION
PART OR ASSEMBLY:	MULLION LOAD TABLE: ANCHOR CLIP B5 (CONCRETE SCREWS)
DATE:	02/28/12
SCALE:	NTS
DWG. BY:	EW
CHK. BY:	LFS
DRAWING NO.:	FL-15267.7
SHEET	2 OF 9



$$\text{TRIBUTARY WIDTH} = \frac{W1 + W2}{2}$$



WOOD SCREW	2" x 5" LVL STRUCTURAL BEAM MULLION LOAD TABLE (PSF) - ANCHOR CLIP B5													
	TRIBUTARY WIDTH													
	24.0"	28.0"	30.0"	32.0"	34.0"	36.0"	38.0"	40.0"	42.0"	44.0"	46.0"	48.0"	50.0"	
120.0"	41.89	36.58	34.47	32.63	31.00	29.57	28.29	27.14	26.11	25.18	24.33	23.56	22.86	
116.0"	43.50	38.02	35.83	33.93	32.26	30.78	29.46	28.28	27.21	26.25	25.38	24.59	23.86	
112.0"	45.24	39.57	37.31	35.34	33.61	32.09	30.72	29.50	28.41	27.42	26.52	25.70	24.96	
108.0"	47.13	41.25	38.92	36.88	35.09	33.51	32.10	30.85	29.71	28.69	27.77	26.93	26.16	
104.0"	49.17	43.09	40.67	38.56	36.71	35.07	33.61	32.31	31.15	30.09	29.14	28.28	27.49	
100.0"	51.41	45.09	42.58	40.39	38.47	36.78	35.27	33.93	32.72	31.64	30.65	29.76	28.95	
96.0"	53.86	47.29	44.68	42.41	40.42	38.67	37.11	35.72	34.47	33.35	32.33	31.42	30.57	
92.0"	56.55	49.71	47.00	44.64	42.58	40.76	39.14	37.70	36.41	35.25	34.21	33.24	32.33	
88.0"	59.53	52.40	49.58	47.13	44.98	43.09	41.41	39.92	38.58	37.39	36.29	35.25	34.27	
84.0"	62.83	55.40	52.45	49.90	47.66	45.70	43.96	42.41	41.03	39.77	38.58	37.47	36.41	
80.0"	66.53	58.75	55.68	53.02	50.69	48.65	46.84	45.24	43.78	42.41	41.13	39.92	38.78	
76.0"	70.69	62.54	59.33	56.55	54.13	52.00	50.13	48.43	46.84	45.35	43.96	42.65	41.41	
72.0"	75.40	66.86	63.49	60.59	58.06	55.85	53.86	52.00	50.27	48.65	47.13	45.70	44.35	
68.0"	80.79	71.81	68.29	65.25	62.62	60.25	58.06	56.02	54.13	52.35	50.69	49.13	47.66	
64.0"	87.00	77.55	73.86	70.69	67.86	65.25	62.83	60.59	58.50	56.55	54.73	53.02	51.41	
60.0"	94.25	84.30	80.43	77.00	73.86	70.96	68.29	65.80	63.49	61.34	59.33	57.45	55.68	
56.0"	102.82	92.33	88.13	84.30	80.79	77.55	74.57	71.81	69.24	66.86	64.63	62.54	60.59	
52.0"	113.10	101.85	97.12	92.80	88.85	85.22	81.88	78.79	75.93	73.26	70.78	68.46	66.29	
48.0"	125.67	113.10	107.71	102.82	98.35	94.25	90.48	87.00	83.78	80.79	78.00	75.40	72.97	
44.0"	141.01	126.55	120.37	114.77	109.67	105.01	100.72	96.77	93.12	89.73	86.58	83.65	80.91	
40.0"	150.00	142.86	135.72	129.26	123.38	118.02	113.10	108.58	104.40	100.53	96.94	93.60	90.48	
36.0"	150.00	150.00	150.00	147.12	140.28	134.04	128.34	123.10	118.27	113.81	109.67	105.82	102.24	
32.0"	150.00	150.00	150.00	150.00	150.00	150.00	147.52	141.38	135.72	130.50	125.67	121.18	117.00	
28.0"	150.00	150.00	150.00	150.00	150.00	150.00	150.00	150.00	150.00	150.00	146.33	141.01	136.06	
24.0"	150.00	150.00	150.00	150.00	150.00	150.00	150.00	150.00	150.00	150.00	150.00	150.00	150.00	
20.0"	150.00	150.00	150.00	150.00	150.00	150.00	150.00	150.00	150.00	150.00	150.00	150.00	150.00	

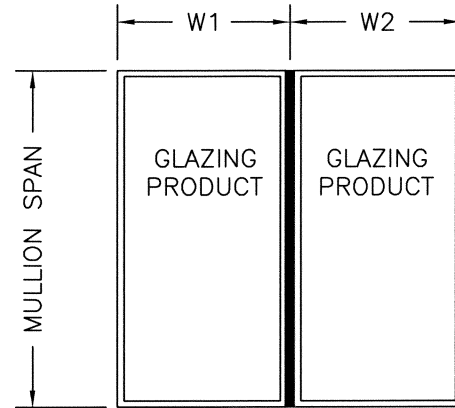
**INSTRUCTIONS FOR USE OF THE MULLION LOAD TABLE:**

1. DETERMINE THE DESIGN LOAD REQUIREMENT PER CHAPTER 16 OF THE FBC FOR THE PARTICULAR OPENING.
2. FOR THE PARTICULAR OPENING, DETERMINE THE TRIBUTARY WIDTH AND MULLION SPAN. REFERENCE THE SKETCHES ON THIS SHEET FOR MULLION SPAN AND TRIBUTARY WIDTH DETERMINATION.
3. IN THE FIRST COLUMN OF THE TABLE, LOCATE THE MULLION SPAN. IN THE FIRST ROW OF THE TABLE, LOCATE THE TRIBUTARY WIDTH. AT THE INTERSECTION OF THE ROW CONTAINING THE MULLION SPAN AND THE COLUMN CONTAINING THE TRIBUTARY WIDTH, READ THE MULLION LOAD RATING GIVEN IN PSF. THE MULLION LOAD RATING MUST BE EQUAL TO OR GREATER THAN THE DESIGN LOAD REQUIREMENT DETERMINED IN STEP 1 ABOVE.

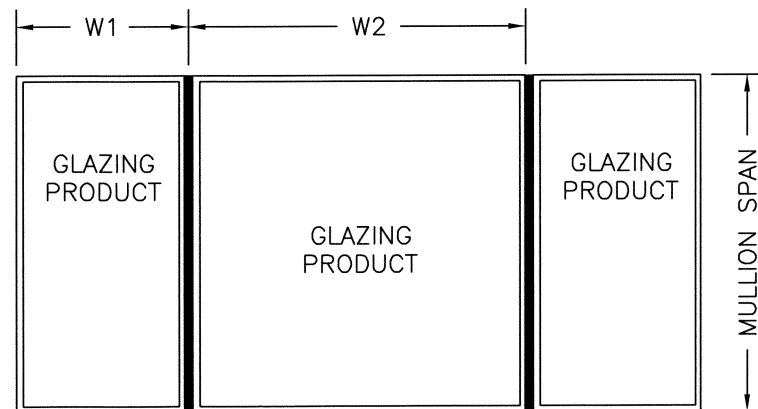
Documents Prepared By: *F. Schmidt*  
 Lyndon F. Schmidt  
 P.E. No. 43409

BUILDING CONSULTANTS, INC.  
 P.O. Box 230, Valrico, FL 33595  
 Phone No.: 813.659.9197  
 FBPE C.A. No. 9813

PRODUCT:	STRUCTURAL MULLION	
PART OR ASSEMBLY:	MULLION LOAD TABLE: ANCHOR CLIP B5 (WOOD SCREWS)	
DATE:	02/28/12	
SCALE:	NTS	
DWG. BY:	EW	
CHK. BY:	LFS	
DRAWING NO.:	FL-15267.7	
SHEET	3	OF 9



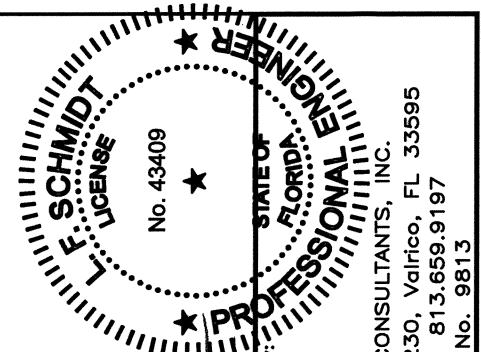
$$\text{TRIBUTARY WIDTH} = \frac{W1 + W2}{2}$$



CONCRETE SCREW		2" x 5" LVL STRUCTURAL BEAM MULLION LOAD TABLE (PSF) - ANCHOR CLIP B2												
		TRIBUTARY WIDTH												
		24.0"	28.0"	30.0"	32.0"	34.0"	36.0"	38.0"	40.0"	42.0"	44.0"	46.0"	48.0"	50.0"
MULLION SPAN	120.0"	44.83	38.80	36.39	34.28	32.43	30.78	29.30	27.98	26.78	25.69	24.70	23.79	22.96
	116.0"	49.73	43.06	40.39	38.06	36.00	34.18	32.55	31.08	29.75	28.55	27.45	26.45	25.53
	112.0"	55.37	47.96	45.00	42.41	40.12	38.10	36.29	34.66	33.19	31.85	30.63	29.52	28.49
	108.0"	61.90	53.63	50.33	47.44	44.90	42.64	40.62	38.81	37.17	35.68	34.32	33.08	31.94
	104.0"	69.49	60.24	56.54	53.31	50.46	47.94	45.68	43.65	41.82	40.15	38.63	37.25	35.97
	100.0"	78.38	67.97	63.82	60.19	56.99	54.15	51.61	49.33	47.27	45.40	43.70	42.14	40.71
	96.0"	82.14	72.13	68.15	64.69	61.65	58.97	56.60	54.47	52.57	50.84	49.15	47.59	46.06
	92.0"	86.25	75.82	71.69	68.09	64.94	62.16	59.70	57.50	55.53	53.77	52.17	50.64	49.16
	88.0"	90.79	79.92	75.62	71.88	68.60	65.71	63.16	60.88	58.85	57.02	55.35	53.77	52.27
	84.0"	95.83	84.49	80.00	76.10	72.70	69.70	67.04	64.69	62.59	60.66	58.85	57.14	55.53
	80.0"	101.47	89.61	84.92	80.86	77.31	74.19	71.44	69.00	66.77	64.69	62.73	60.88	59.14
	76.0"	107.81	95.39	90.49	86.25	82.55	79.31	76.45	73.86	71.44	69.17	67.04	65.04	63.16
	72.0"	115.00	101.97	96.84	92.41	88.56	85.19	82.14	79.31	76.67	74.19	71.88	69.70	67.65
	68.0"	123.21	109.52	104.15	99.52	95.50	91.90	88.56	85.45	82.55	79.85	77.31	74.93	72.70
	64.0"	132.69	118.29	112.65	107.81	103.50	99.52	95.83	92.41	89.22	86.25	83.47	80.86	78.41
	60.0"	143.75	128.57	122.67	117.45	112.65	108.24	104.15	100.36	96.84	93.56	90.49	87.62	84.92
	56.0"	150.00	140.82	134.42	128.57	123.21	118.29	113.74	109.52	105.61	101.97	98.57	95.39	92.41
	52.0"	150.00	150.00	148.12	141.54	135.52	129.98	124.89	120.17	115.80	111.74	107.95	104.41	101.10
	48.0"	150.00	150.00	150.00	150.00	150.00	143.75	138.00	132.69	127.78	123.21	118.97	115.00	111.29
	44.0"	150.00	150.00	150.00	150.00	150.00	150.00	150.00	147.59	142.02	136.86	132.06	127.58	123.40
40.0"	150.00	150.00	150.00	150.00	150.00	150.00	150.00	150.00	150.00	150.00	147.86	142.76	138.00	
36.0"	150.00	150.00	150.00	150.00	150.00	150.00	150.00	150.00	150.00	150.00	150.00	150.00	150.00	
32.0"	150.00	150.00	150.00	150.00	150.00	150.00	150.00	150.00	150.00	150.00	150.00	150.00	150.00	
28.0"	150.00	150.00	150.00	150.00	150.00	150.00	150.00	150.00	150.00	150.00	150.00	150.00	150.00	
24.0"	150.00	150.00	150.00	150.00	150.00	150.00	150.00	150.00	150.00	150.00	150.00	150.00	150.00	
20.0"	150.00	150.00	150.00	150.00	150.00	150.00	150.00	150.00	150.00	150.00	150.00	150.00	150.00	

**INSTRUCTIONS FOR USE OF THE MULLION LOAD TABLE:**

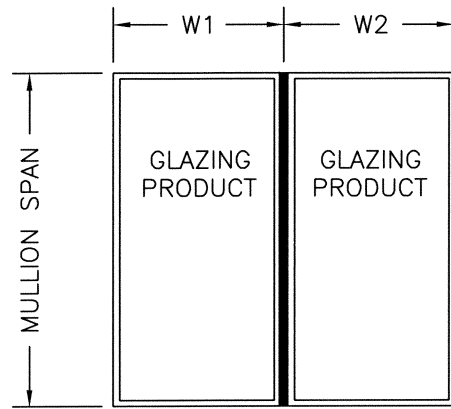
1. DETERMINE THE DESIGN LOAD REQUIREMENT PER CHAPTER 16 OF THE FBC FOR THE PARTICULAR OPENING.
2. FOR THE PARTICULAR OPENING, DETERMINE THE TRIBUTARY WIDTH AND MULLION SPAN. REFERENCE THE SKETCHES ON THIS SHEET FOR MULLION SPAN AND TRIBUTARY WIDTH DETERMINATION.
3. IN THE FIRST COLUMN OF THE TABLE, LOCATE THE MULLION SPAN. IN THE FIRST ROW OF THE TABLE, LOCATE THE TRIBUTARY WIDTH. AT THE INTERSECTION OF THE ROW CONTAINING THE MULLION SPAN AND THE COLUMN CONTAINING THE TRIBUTARY WIDTH, READ THE MULLION LOAD RATING GIVEN IN PSF. THE MULLION LOAD RATING MUST BE EQUAL TO OR GREATER THAN THE DESIGN LOAD REQUIREMENT DETERMINED IN STEP 1 ABOVE.



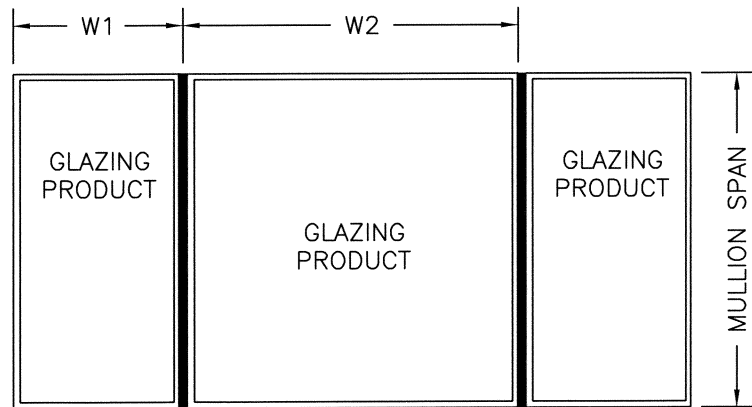
Documents Prepared By:  
Lyndon F. Schmidt  
P.E. No. 43409

**RW** BUILDING CONSULTANTS, INC.  
P.O. Box 230, Vairico, FL 33595  
Phone No.: 813.659.9197  
FBPE C.A. No. 9813

PRODUCT:	STRUCTURAL MULLION	
PART OR ASSEMBLY:	MULLION LOAD TABLE: ANCHOR CLIP B2 (CONCRETE SCREWS)	
DATE:	02/28/12	
SCALE:	NTS	
DWG. BY:	EW	
CHK. BY:	LFS	
DRAWING NO.:	FL-15267.7	
SHEET	4	OF 9



$$\text{TRIBUTARY WIDTH} = \frac{W1 + W2}{2}$$



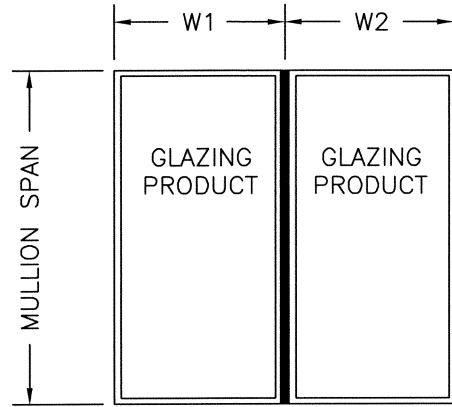
WOOD SCREW	2" x 5" LVL STRUCTURAL BEAM MULLION LOAD TABLE (PSF) - ANCHOR CLIP B2													
	TRIBUTARY WIDTH													
	24.0"	28.0"	30.0"	32.0"	34.0"	36.0"	38.0"	40.0"	42.0"	44.0"	46.0"	48.0"	50.0"	
MULLION SPAN 120.0"	44.83	38.80	36.39	34.28	32.43	30.78	29.30	27.98	26.78	25.69	24.70	23.79	22.96	
MULLION SPAN 116.0"	49.73	43.06	40.39	38.06	36.00	34.18	32.55	31.08	29.75	28.55	27.45	26.45	25.53	
MULLION SPAN 112.0"	55.37	47.96	45.00	42.41	40.12	38.10	36.29	34.66	33.19	31.85	30.63	29.52	28.49	
MULLION SPAN 108.0"	61.90	53.63	50.33	47.44	44.90	42.64	40.62	38.81	37.17	35.68	34.32	33.08	31.94	
MULLION SPAN 104.0"	69.49	60.24	56.54	53.31	50.46	47.94	45.68	43.65	41.82	40.15	38.63	37.25	35.97	
MULLION SPAN 100.0"	78.38	67.97	63.82	60.19	56.99	54.15	51.61	49.33	47.27	45.40	43.70	42.14	40.71	
MULLION SPAN 96.0"	82.14	72.13	68.15	64.69	61.65	58.97	56.60	54.47	52.57	50.84	49.15	47.59	46.16	
MULLION SPAN 92.0"	86.25	75.82	71.69	68.09	64.94	62.16	59.70	57.50	55.53	53.77	52.17	50.70	49.27	
MULLION SPAN 88.0"	90.79	79.92	75.62	71.88	68.60	65.71	63.16	60.88	58.85	57.02	55.35	53.77	52.27	
MULLION SPAN 84.0"	95.83	84.49	80.00	76.10	72.70	69.70	67.04	64.69	62.59	60.66	58.85	57.14	55.53	
MULLION SPAN 80.0"	101.47	89.61	84.92	80.86	77.31	74.19	71.44	69.00	66.77	64.69	62.73	60.88	59.14	
MULLION SPAN 76.0"	107.81	95.39	90.49	86.25	82.55	79.31	76.45	73.86	71.44	69.17	67.04	65.04	63.16	
MULLION SPAN 72.0"	115.00	101.97	96.84	92.41	88.56	85.19	82.14	79.31	76.67	74.19	71.88	69.70	67.65	
MULLION SPAN 68.0"	123.21	109.52	104.15	99.52	95.50	91.90	88.56	85.45	82.55	79.85	77.31	74.93	72.70	
MULLION SPAN 64.0"	132.69	118.29	112.65	107.81	103.50	99.52	95.83	92.41	89.22	86.25	83.47	80.86	78.41	
MULLION SPAN 60.0"	143.75	128.57	122.67	117.45	112.65	108.24	104.15	100.36	96.84	93.56	90.49	87.62	84.92	
MULLION SPAN 56.0"	150.00	140.82	134.42	128.57	123.21	118.29	113.74	109.52	105.61	101.97	98.57	95.39	92.41	
MULLION SPAN 52.0"	150.00	150.00	148.12	141.54	135.52	129.98	124.89	120.17	115.80	111.74	107.95	104.41	101.10	
MULLION SPAN 48.0"	150.00	150.00	150.00	150.00	150.00	143.75	138.00	132.69	127.78	123.21	118.97	115.00	111.29	
MULLION SPAN 44.0"	150.00	150.00	150.00	150.00	150.00	150.00	150.00	147.59	142.02	136.86	132.06	127.58	123.40	
MULLION SPAN 40.0"	150.00	150.00	150.00	150.00	150.00	150.00	150.00	150.00	150.00	150.00	147.86	142.76	138.00	
MULLION SPAN 36.0"	150.00	150.00	150.00	150.00	150.00	150.00	150.00	150.00	150.00	150.00	150.00	150.00	150.00	
MULLION SPAN 32.0"	150.00	150.00	150.00	150.00	150.00	150.00	150.00	150.00	150.00	150.00	150.00	150.00	150.00	
MULLION SPAN 28.0"	150.00	150.00	150.00	150.00	150.00	150.00	150.00	150.00	150.00	150.00	150.00	150.00	150.00	
MULLION SPAN 24.0"	150.00	150.00	150.00	150.00	150.00	150.00	150.00	150.00	150.00	150.00	150.00	150.00	150.00	
MULLION SPAN 20.0"	150.00	150.00	150.00	150.00	150.00	150.00	150.00	150.00	150.00	150.00	150.00	150.00	150.00	

**INSTRUCTIONS FOR USE OF THE MULLION LOAD TABLE:**

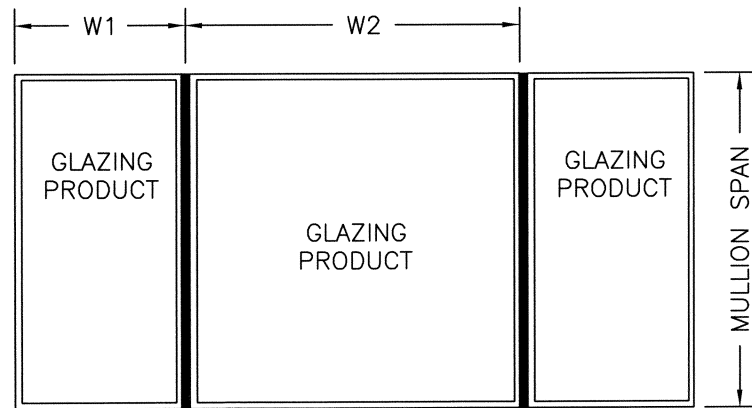
1. DETERMINE THE DESIGN LOAD REQUIREMENT PER CHAPTER 16 OF THE FBC FOR THE PARTICULAR OPENING.
2. FOR THE PARTICULAR OPENING, DETERMINE THE TRIBUTARY WIDTH AND MULLION SPAN. REFERENCE THE SKETCHES ON THIS SHEET FOR MULLION SPAN AND TRIBUTARY WIDTH DETERMINATION.
3. IN THE FIRST COLUMN OF THE TABLE, LOCATE THE MULLION SPAN. IN THE FIRST ROW OF THE TABLE, LOCATE THE TRIBUTARY WIDTH. AT THE INTERSECTION OF THE ROW CONTAINING THE MULLION SPAN AND THE COLUMN CONTAINING THE TRIBUTARY WIDTH, READ THE MULLION LOAD RATING GIVEN IN PSF. THE MULLION LOAD RATING MUST BE EQUAL TO OR GREATER THAN THE DESIGN LOAD REQUIREMENT DETERMINED IN STEP 1 ABOVE.

Documents Prepared By: *LF* Lyndon F. Schmidt
   
 P.E. No. 43409
   
 BUILDING CONSULTANTS, INC.
   
 P.O. Box 230, Vairico, FL 33595
   
 Phone No.: 813.659.9197
   
 FBPE C.A. No. 9813

PRODUCT:	STRUCTURAL MULLION	
PART OR ASSEMBLY:	MULLION LOAD TABLE: ANCHOR CLIP B2 (WOOD SCREWS)	
DATE:	02/28/12	
SCALE:	NTS	
DWG. BY:	EW	
CHK. BY:	LFS	
DRAWING NO.:	FL-15267.7	
SHEET	5	OF 9



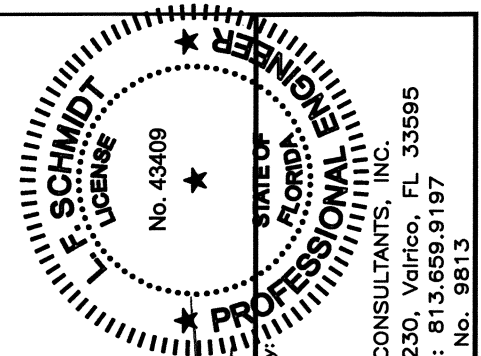
$$\text{TRIBUTARY WIDTH} = \frac{W1 + W2}{2}$$



WOOD OR CONCRETE SCREW	2" x 5" LVL STRUCTURAL BEAM MULLION LOAD TABLE (PSF) - ANCHOR PLATE													
	TRIBUTARY WIDTH													
	24.0"	28.0"	30.0"	32.0"	34.0"	36.0"	38.0"	40.0"	42.0"	44.0"	46.0"	48.0"	50.0"	
MULLION SPAN	120.0"	44.83	38.80	36.39	34.28	32.43	30.78	29.30	27.98	26.78	25.69	24.70	23.79	22.96
	116.0"	49.73	43.06	40.39	38.06	36.00	34.18	32.55	31.08	29.75	28.55	27.45	26.45	25.53
	112.0"	55.37	47.96	45.00	42.41	40.12	38.10	36.29	34.66	33.19	31.85	30.63	29.52	28.49
	108.0"	61.90	53.63	50.33	47.44	44.90	42.64	40.62	38.81	37.17	35.68	34.32	33.08	31.94
	104.0"	69.49	60.24	56.54	53.31	50.46	47.94	45.68	43.65	41.82	40.15	38.63	37.25	35.97
	100.0"	78.38	67.97	63.82	60.19	56.99	54.15	51.61	49.33	47.27	45.40	43.70	42.14	40.71
	96.0"	88.85	77.10	72.40	68.30	64.69	61.48	58.29	55.37	52.74	50.34	48.15	46.14	44.30
	92.0"	100.49	86.13	80.39	75.37	70.93	66.99	63.47	60.29	57.42	54.81	52.43	50.24	48.23
	88.0"	109.83	94.14	87.86	82.37	77.53	73.22	69.37	65.90	62.76	59.91	57.30	54.92	52.72
	84.0"	120.54	103.32	96.43	90.41	85.09	80.36	76.13	72.32	68.88	65.75	62.89	60.27	57.86
	80.0"	132.90	113.91	106.32	99.67	93.81	88.60	83.93	79.74	75.94	72.49	69.34	66.45	63.79
	76.0"	147.25	126.22	117.80	110.44	103.94	98.17	93.00	88.35	84.14	80.32	76.83	73.63	70.68
	72.0"	150.00	140.63	131.25	123.05	115.81	109.38	103.62	98.44	93.75	89.49	85.60	82.03	78.75
	68.0"	150.00	150.00	147.15	137.95	129.84	122.63	116.17	110.36	105.11	100.33	95.97	91.97	88.29
	64.0"	150.00	150.00	150.00	150.00	146.58	138.43	131.15	124.59	118.66	113.26	108.34	103.82	99.67
	60.0"	150.00	150.00	150.00	150.00	150.00	150.00	149.22	141.76	135.00	128.87	123.27	118.13	113.40
	56.0"	150.00	150.00	150.00	150.00	150.00	150.00	150.00	150.00	150.00	147.94	141.50	135.61	130.18
	52.0"	150.00	150.00	150.00	150.00	150.00	150.00	150.00	150.00	150.00	150.00	150.00	150.00	149.80
	48.0"	150.00	150.00	150.00	150.00	150.00	150.00	150.00	150.00	150.00	150.00	150.00	150.00	150.00
	44.0"	150.00	150.00	150.00	150.00	150.00	150.00	150.00	150.00	150.00	150.00	150.00	150.00	150.00
	40.0"	150.00	150.00	150.00	150.00	150.00	150.00	150.00	150.00	150.00	150.00	150.00	150.00	150.00
	36.0"	150.00	150.00	150.00	150.00	150.00	150.00	150.00	150.00	150.00	150.00	150.00	150.00	150.00
	32.0"	150.00	150.00	150.00	150.00	150.00	150.00	150.00	150.00	150.00	150.00	150.00	150.00	150.00
	28.0"	150.00	150.00	150.00	150.00	150.00	150.00	150.00	150.00	150.00	150.00	150.00	150.00	150.00
	24.0"	150.00	150.00	150.00	150.00	150.00	150.00	150.00	150.00	150.00	150.00	150.00	150.00	150.00
	20.0"	150.00	150.00	150.00	150.00	150.00	150.00	150.00	150.00	150.00	150.00	150.00	150.00	150.00

**INSTRUCTIONS FOR USE OF THE MULLION LOAD TABLE:**

1. DETERMINE THE DESIGN LOAD REQUIREMENT PER CHAPTER 16 OF THE FBC FOR THE PARTICULAR OPENING.
2. FOR THE PARTICULAR OPENING, DETERMINE THE TRIBUTARY WIDTH AND MULLION SPAN. REFERENCE THE SKETCHES ON THIS SHEET FOR MULLION SPAN AND TRIBUTARY WIDTH DETERMINATION.
3. IN THE FIRST COLUMN OF THE TABLE, LOCATE THE MULLION SPAN. IN THE FIRST ROW OF THE TABLE, LOCATE THE TRIBUTARY WIDTH. AT THE INTERSECTION OF THE ROW CONTAINING THE MULLION SPAN AND THE COLUMN CONTAINING THE TRIBUTARY WIDTH, READ THE MULLION LOAD RATING GIVEN IN PSF. THE MULLION LOAD RATING MUST BE EQUAL TO OR GREATER THAN THE DESIGN LOAD REQUIREMENT DETERMINED IN STEP 1 ABOVE.

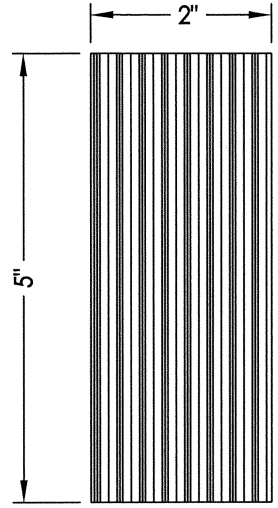


Documents Prepared By:  
Lyndon F. Schmidt  
P.E. No. 43409

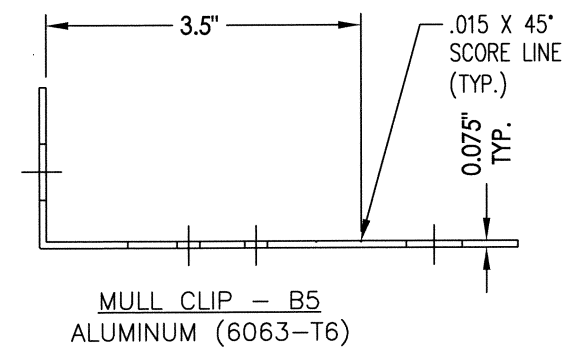
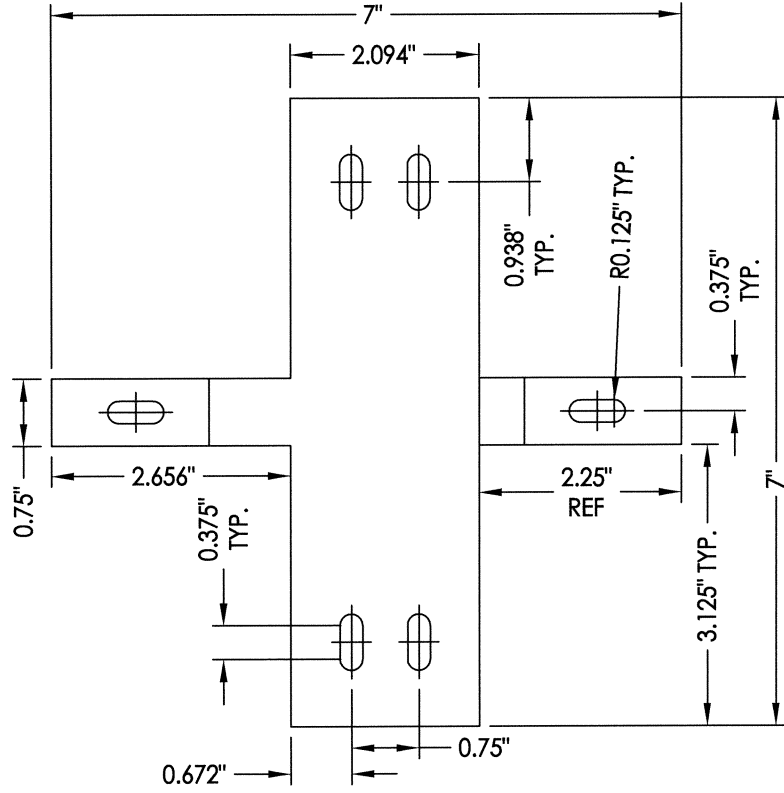
**RW** BUILDING CONSULTANTS, INC.  
P.O. Box 230, Vairico, FL 33595  
Phone No.: 813.659.9197  
FBPE C.A. No. 9813

PRODUCT:	STRUCTURAL MULLION
PART OR ASSEMBLY:	MULLION LOAD TABLE: ANCHOR PLATE (WOOD/CONCRETE SCREWS)
DATE:	02/28/12
SCALE:	NTS
DWG. BY:	EW
CHK. BY:	LFS
DRAWING NO.:	FL-15267.7
SHEET	6 OF 9

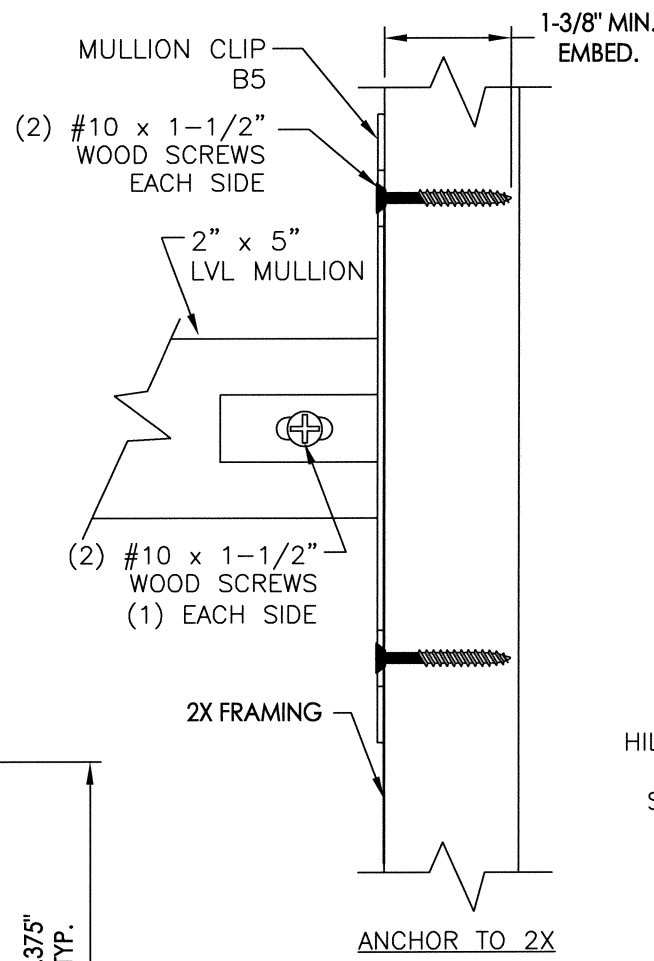
R:\Clients\Eagle Window and Door PERMANENT\Florida Product Approvals\FL-15267 - Windows - Mullions\C - Drawings\FL 15267 (2014)\FL-15267.7.dwg, 7.7



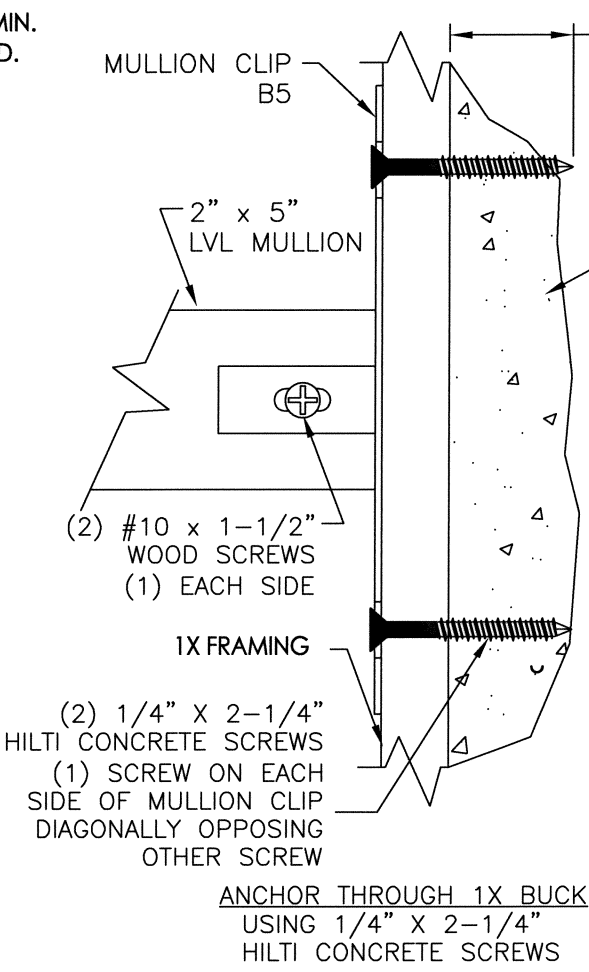
**2" x 5" LVL MULLION**  
Pacific Wood Laminates Douglas-Fir LVL (PacWorks Series)  
Minimum Design Properties: F = 2400 psi, E = 1.8 x 10<sup>6</sup> psi



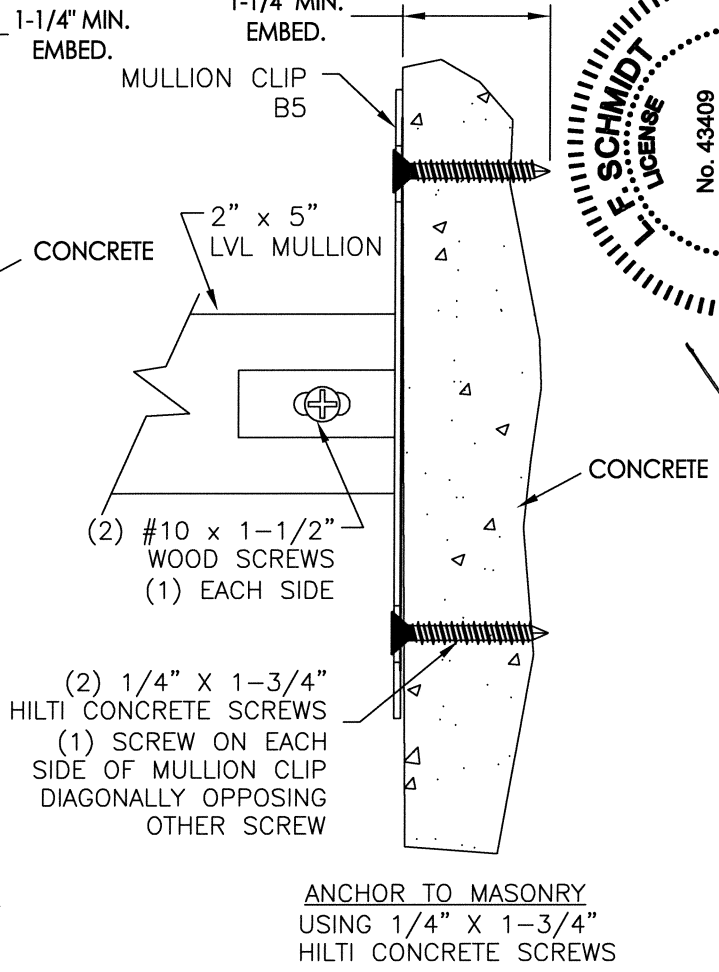
**MULLION CLIP - B5**  
ALUMINUM (6063-T6)



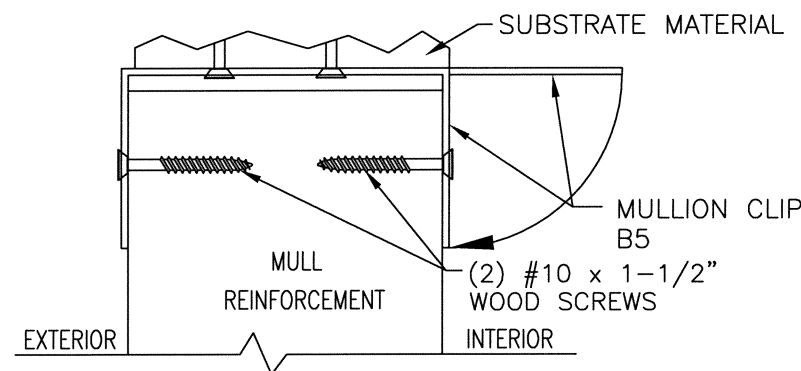
**ANCHOR TO 2X**



**ANCHOR THROUGH 1X BUCK**  
USING 1/4" X 2-1/4" HILTI CONCRETE SCREWS



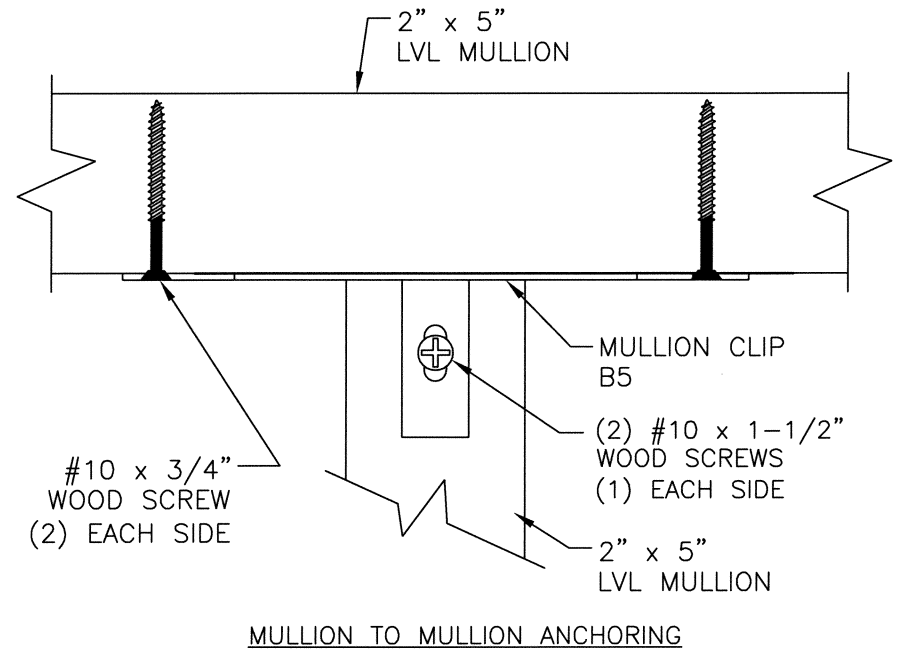
**ANCHOR TO MASONRY**  
USING 1/4" X 1-3/4" HILTI CONCRETE SCREWS



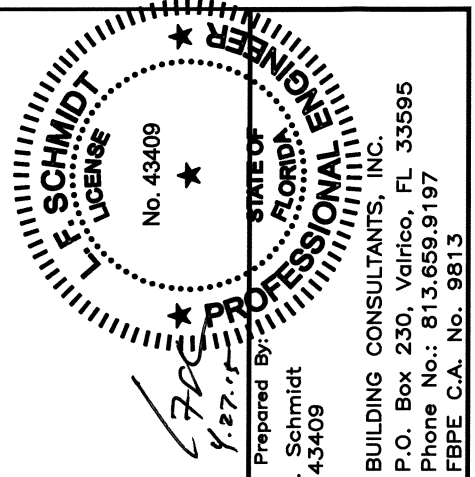
**INSTALLATION PROCEDURE**  
SEE 2X, 1X TO MASONRY & MASONRY ANCHORING ABOVE

MULLION ANCHOR BRACKET ANCHOR SCHEDULE				
ANCHOR	SUBSTRATE	EMBEDMENT (MIN.)	EDGE DISTANCE (MIN.)	CENTER-TO-CENTER SPACING (MIN.)
#10 PFH WOOD SCREW	WOOD	1-3/8"	1"	1"
1/4" Ø PFH HILTI KWIK-CON II+	HOLLOW BLOCK	1-1/4"	2-1/2"	3"
	CONCRETE	1-1/4"	2-1/2"	3"

CONCRETE CONFORMING TO ACI 301 (3,000 PSI MIN.) OR HOLLOW BLOCK CONFORMING TO ASTM C90 WOOD FRAMING (S.G. >= 0.42)



**MULLION TO MULLION ANCHORING**

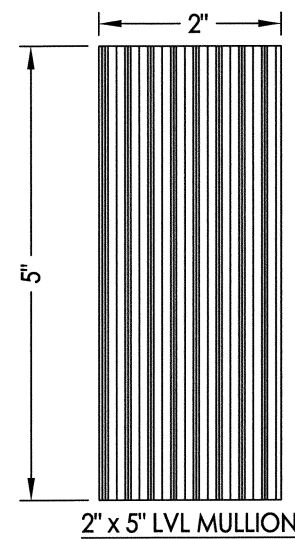


Documents Prepared By:  
**Lyndon F. Schmidt**  
P.E. No. 43409

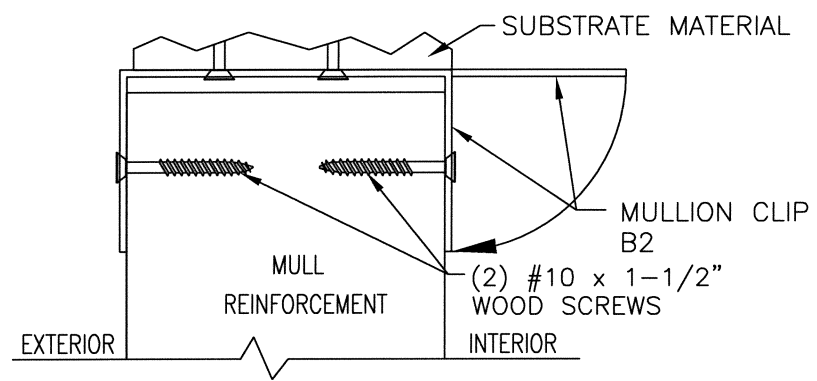
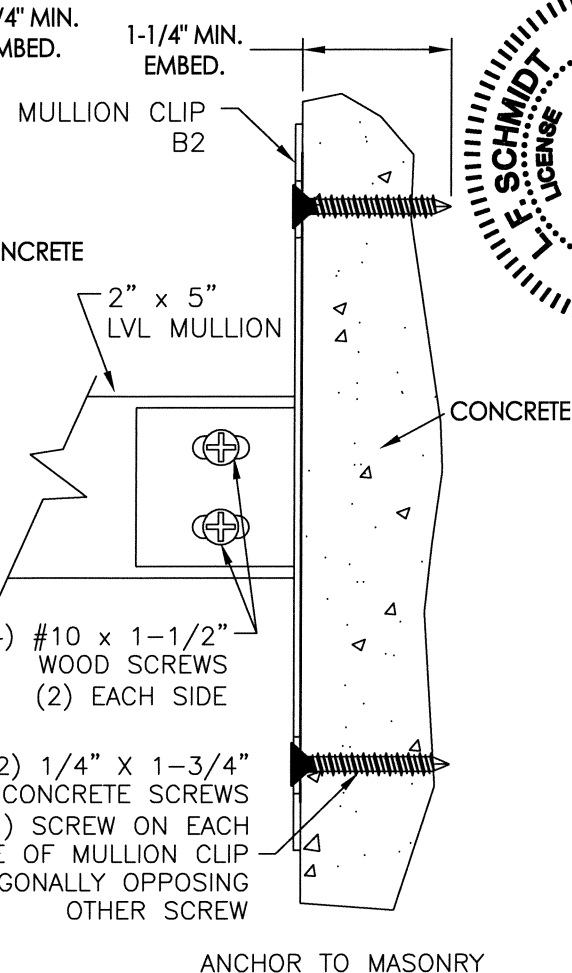
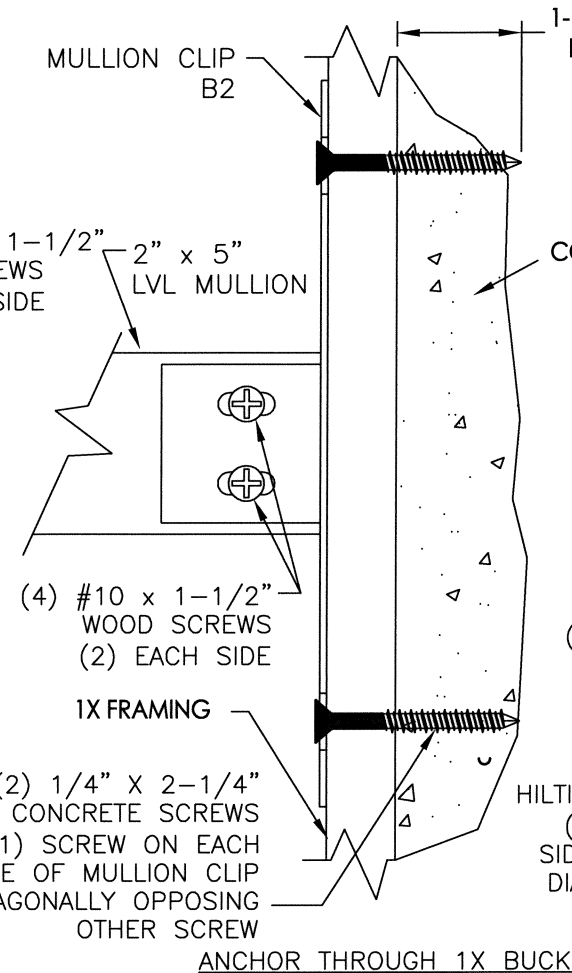
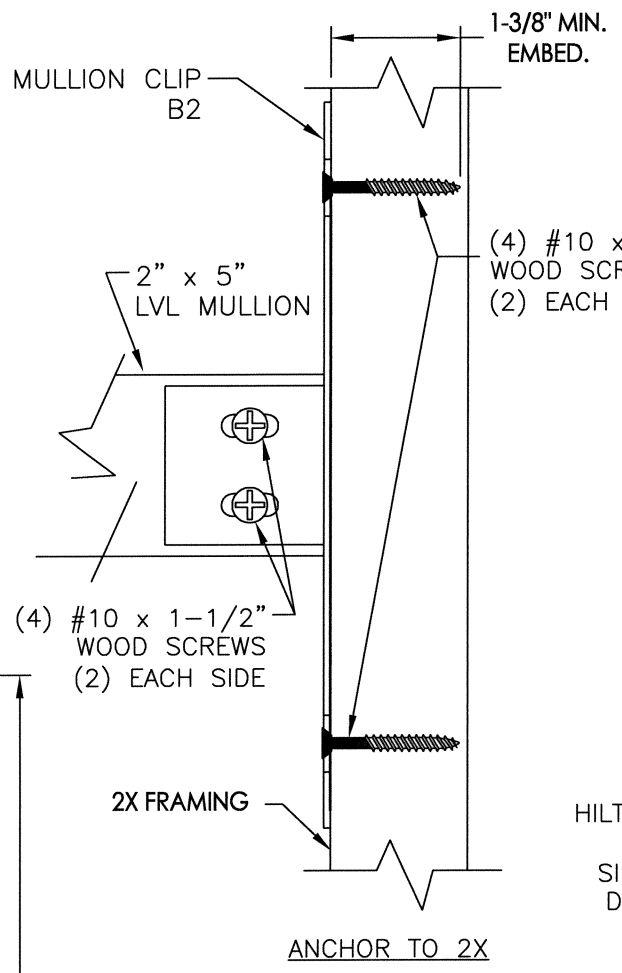
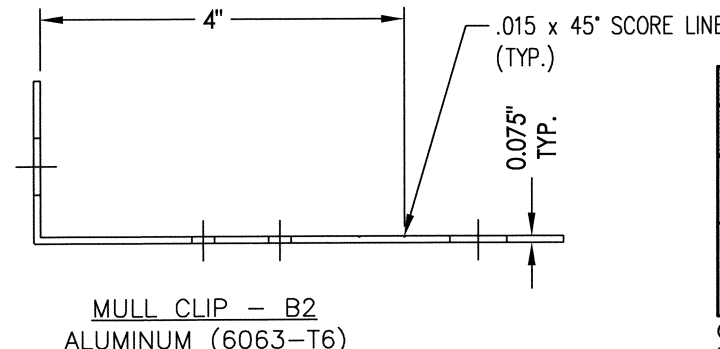
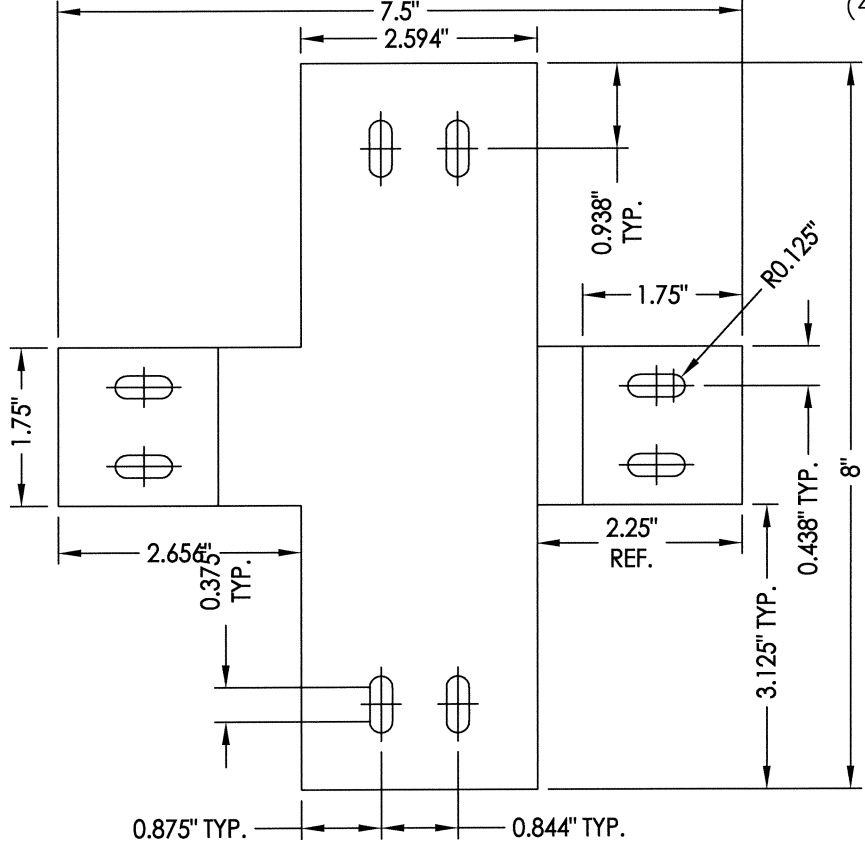
**RW** BUILDING CONSULTANTS, INC.  
P.O. Box 230, Valrico, FL 33595  
Phone No.: 813.659.9197  
FBPE C.A. No. 9813

PRODUCT:	STRUCTURAL MULLION		
PART OR ASSEMBLY:	ANCHORING CLIP B5 ANCHORING DETAILS		
DATE	NO.	BY	LFS
4/17/15	1		
UPDATE TO 5TH ED. (2014) FBC			
REVISIONS			
DATE:	02/28/12		
SCALE:	NTS		
DWG. BY:	EW		
CHK. BY:	LFS		
DRAWING NO.:	FL-15267.7		
SHEET	7 OF 9		

R:\Clients\Eagle Window and Door PERMANENT\Florida Product Approvals\FL-15267 - Windows - Mullions\C - Drawings\FL 15267 (2014)\FL-15267.7.dwg, 7.8

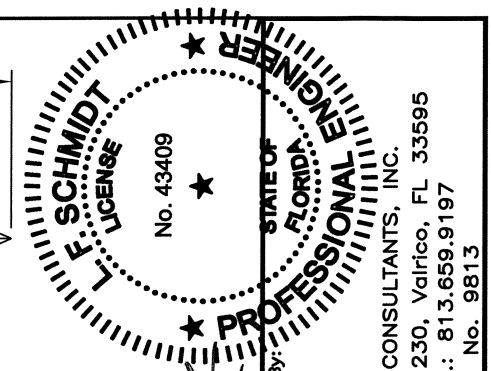
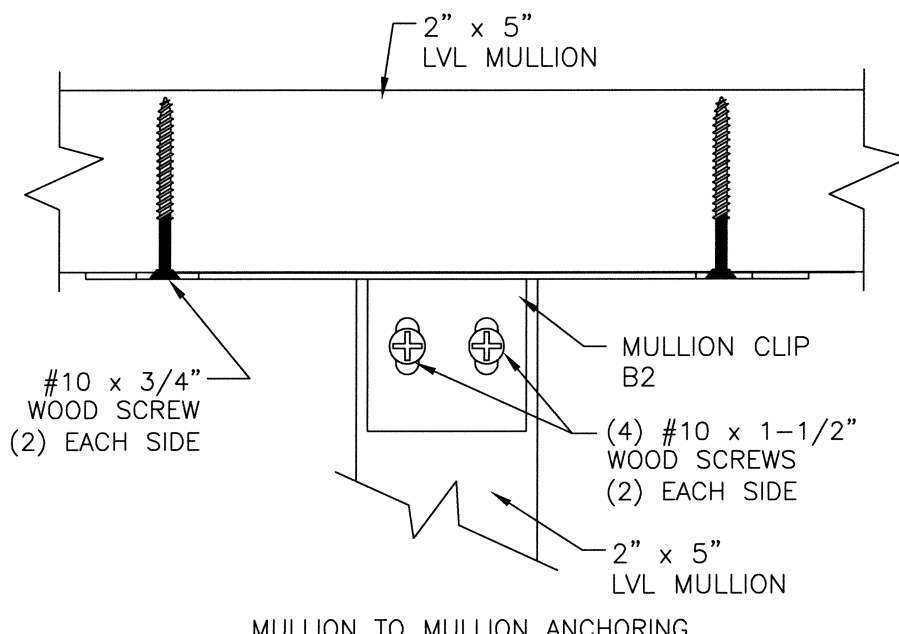


Pacific Wood Laminates Douglas-Fir LVL (PacWorks Series)  
Minimum Design Properties: F = 2400 psi, E = 1.8 x 10 psi



MULLION ANCHOR BRACKET ANCHOR SCHEDULE				
ANCHOR	SUBSTRATE	EMBEDMENT (MIN.)	EDGE DISTANCE (MIN.)	CENTER-TO-CENTER SPACING (MIN.)
#10 PFH WOOD SCREW	WOOD	1-3/8"	1"	1"
1/4" Ø PFH HILTI KWIK-CON II+	HOLLOW BLOCK	1-1/4"	2-1/2"	3"
	CONCRETE	1-1/4"	2-1/2"	3"

CONCRETE CONFORMING TO ACI 301 (3,000 PSI MIN.) OR HOLLOW BLOCK CONFORMING TO ASTM C90 WOOD FRAMING (S.G. >= 0.42)

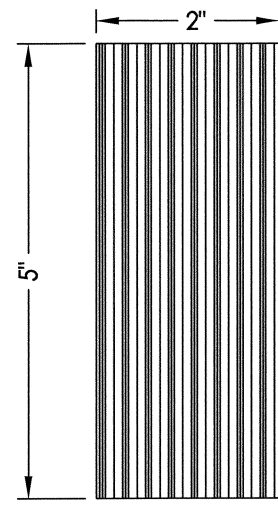


Documents Prepared By:  
Lyndon F. Schmidt  
P.E. No. 43409

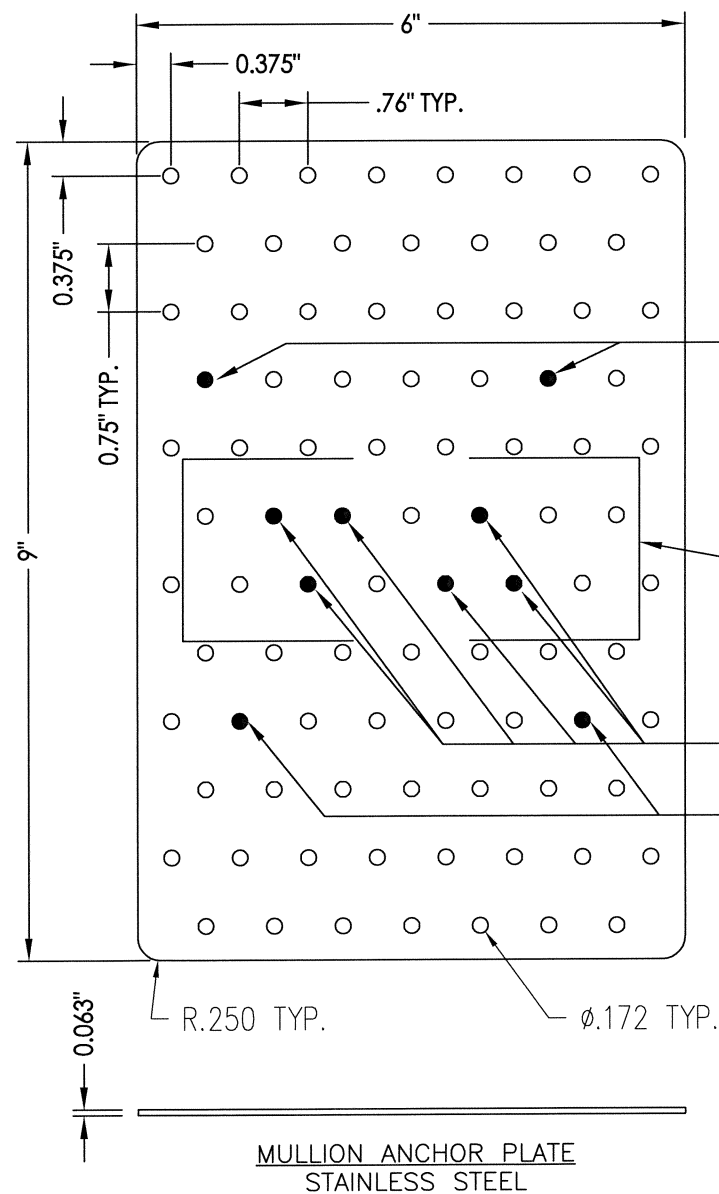
RW BUILDING CONSULTANTS, INC.  
P.O. Box 230, Valrico, FL 33595  
Phone No.: 813.659.9197  
FBPE C.A. No. 9813

PRODUCT:	STRUCTURAL MULLION	
PART OR ASSEMBLY:	ANCHORING CLIP B2 ANCHORING DETAILS	
NO.	DATE	BY
1	4/17/15	LFS
UPDATE TO 5TH ED. (2014) FBC		
REVISIONS		
DATE:	02/28/12	
SCALE:	NTS	
DWG. BY:	EW	
CHK. BY:	LFS	
DRAWING NO.:	FL-15267.7	
SHEET	8	OF 9

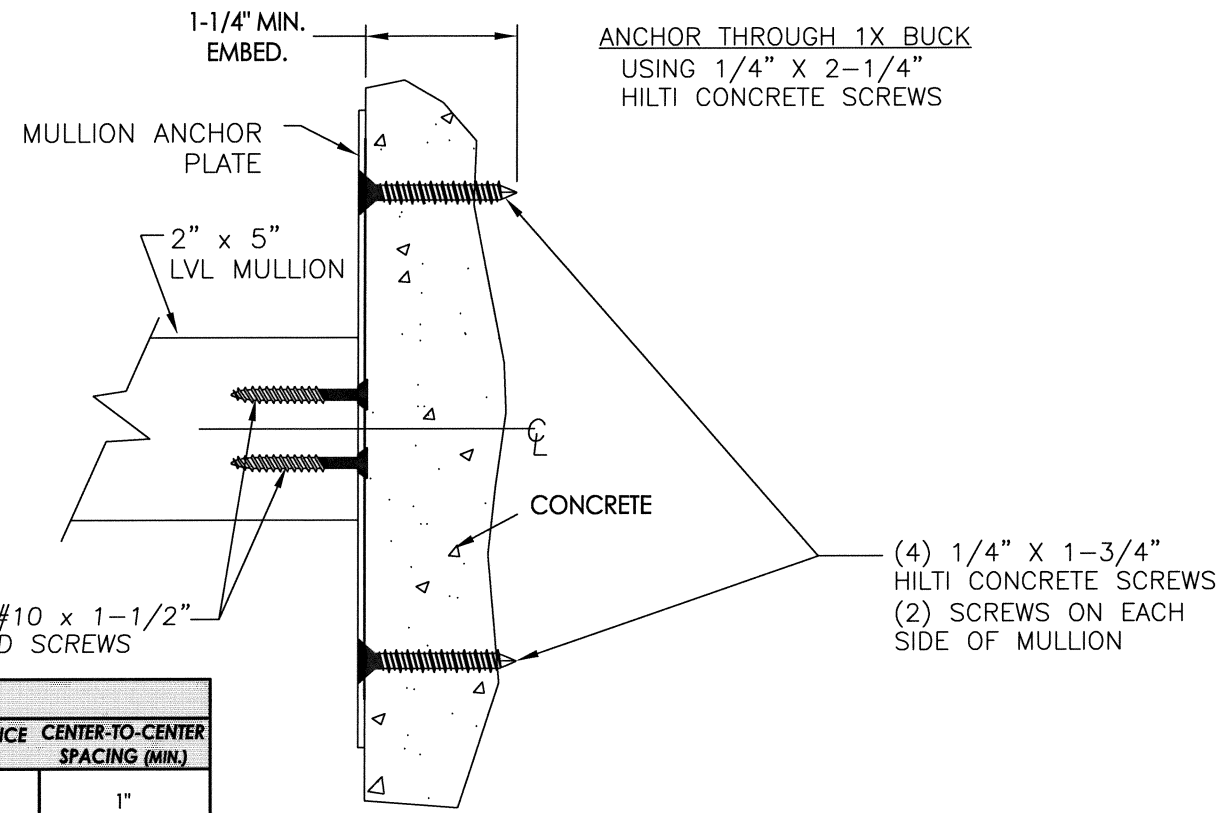
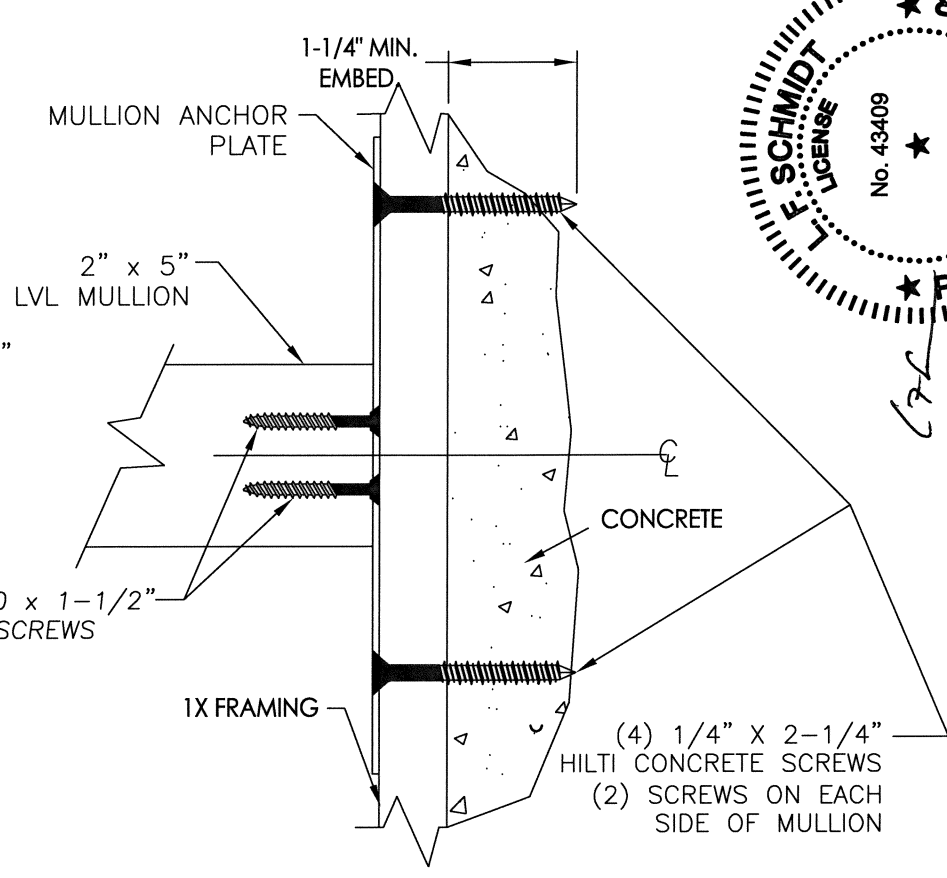
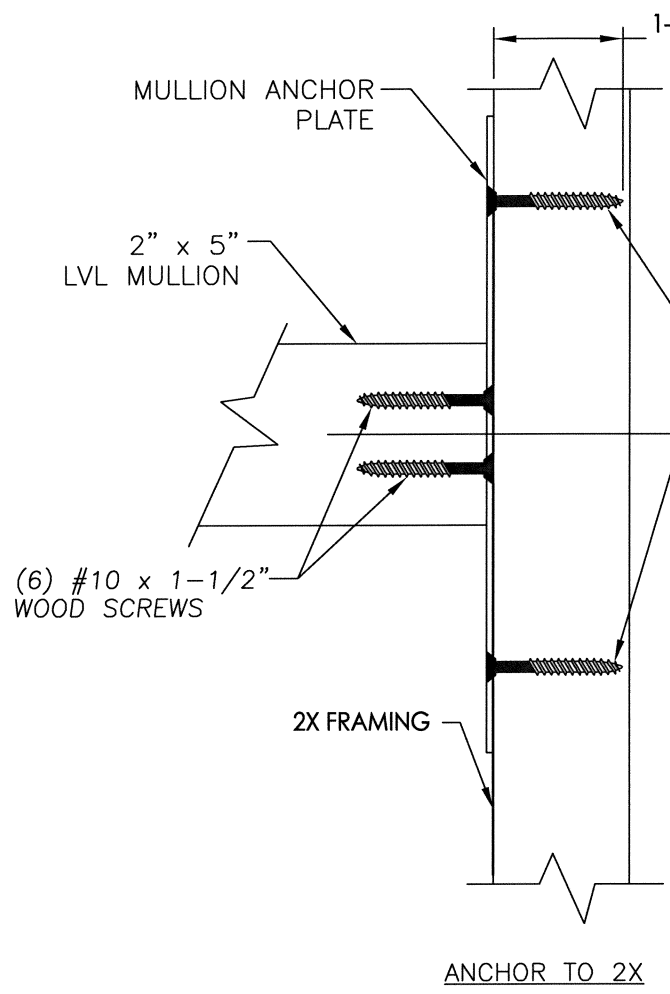




Pacific Wood Laminates Douglas-Fir LVL (PacWorks Series)  
Minimum Design Properties: F = 2400 psi, E = 1.8 x 10 psi



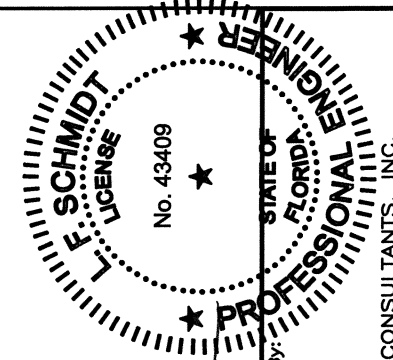
MULLION ANCHOR PLATE  
STAINLESS STEEL



ANCHOR TO MASONRY  
USING 1/4" x 1-3/4" HILTI CONCRETE SCREWS

MULLION ANCHOR BRACKET ANCHOR SCHEDULE				
ANCHOR	SUBSTRATE	EMBEDMENT (MIN.)	EDGE DISTANCE (MIN.)	CENTER-TO-CENTER SPACING (MIN.)
#10 PFH WOOD SCREW	WOOD	1-3/8"	1"	1"
1/4" Ø PFH HILTI KWIK-CON II+	HOLLOW BLOCK	1-1/4"	2-1/2"	3"
	CONCRETE	1-1/4"	2-1/2"	3"

CONCRETE CONFORMING TO ACI 301 (3,000 PSI MIN.) OR HOLLOW BLOCK CONFORMING TO ASTM C90 WOOD FRAMING (S.G. >= 0.42)



Documents Prepared By:  
Lyndon F. Schmidt  
P.E. No. 43409

**RW** BUILDING CONSULTANTS, INC.  
P.O. Box 230, Valrico, FL 33595  
Phone No.: 813.659.9197  
FBPE C.A. No. 9813

PRODUCT:	STRUCTURAL MULLION
PART OR ASSEMBLY:	MULLION ANCHOR PLATE: ANCHORING DETAILS

NO.	DATE	BY
1	4/17/15	LFS
UPDATE TO 5TH ED. (2014) FBC		

DATE:	02/28/12
SCALE:	NTS
DWG. BY:	EW
CHK. BY:	LFS
DRAWING NO.:	FL-15267.7
SHEET	9 OF 9