

ANDERSEN CORPORATION

400 SERIES COMPLEMENTARY CASEMENT WINDOW



100 FOURTH AVE NORTH
BAYPORT, MN 55003-1096
PH: (651) 264-5150 FX: (651) 264-5485

INSTALLATION NOTES:

- INSTALLATION CLIPS: ONE (1) INSTALLATION ANCHOR CLIP IS REQUIRED AT EACH ANCHOR LOCATION SHOWN, EACH CLIP IS TO USE TWO (2) #8 WOOD SCREWS INTO WINDOW & TWO INSTALLATION ANCHORS (2) TO SUBSTRATE.
- THROUGH FRAME: ONE (1) INSTALLATION ANCHOR IS REQUIRED AT EACH ANCHOR LOCATION SHOWN.
- INSTALL INDIVIDUAL INSTALLATION ANCHORS WITHIN A TOLERANCE OF ±1/2 INCH OF THE DEPICTED LOCATION IN THE ANCHOR LAYOUT DETAIL (I.E., WITHOUT CONSIDERATION OF TOLERANCES). TOLERANCES ARE NOT CUMULATIVE FROM ONE INSTALLATION ANCHOR TO THE NEXT.
- INSTALLATION CLIP:** FOR INSTALLATION INTO 2X BUCK USE TWO (2) #10 PAN HEAD WOOD SCREWS PER INSTALLATION CLIP OF SUFFICIENT LENGTH TO ACHIEVE 1 1/2 INCH MINIMUM EMBEDMENT INTO WOOD SUBSTRATE AND SHALL MAINTAIN MINIMUM 3/4" EDGE DISTANCE. ANCHORS THROUGH CLIP SHALL BE STAGGERED SUCH THAT THEY ARE SPACED A MIN. OF 1" APART.
 - NAIL FIN:** NAIL FIN IS REQUIRED WHEN USING INSTALLATION CLIP METHOD. USE #8 PAN HEAD WOOD SCREWS OR 10D COMMON NAILS OF SUFFICIENT LENGTH TO ACHIEVE 1 1/2 INCH MINIMUM EMBEDMENT INTO WOOD SUBSTRATE AND SHALL MAINTAIN MINIMUM 3/8" EDGE DISTANCE. ANCHOR NAIL FIN 6" FROM CORNERS AND 10.5" O.C.
- INSTALLATION CLIP:** FOR INSTALLATION THROUGH METAL STUD USE TWO (2) #10 HWH GRADE 5 SELF-DRILLING OR SELF-TAPPING SCREWS PER INSTALLATION CLIP OF SUFFICIENT LENGTH TO ACHIEVE 3 THREADS MINIMUM PENETRATION BEYOND METAL FRAME SUBSTRATE AND SHALL MAINTAIN MINIMUM 3/4" EDGE DISTANCE. ANCHORS THROUGH CLIP SHALL BE STAGGERED SUCH THAT THEY ARE SPACED A MINIMUM OF 1" APART.
 - NAIL FIN:** NAIL FIN IS REQUIRED WHEN USING INSTALLATION CLIP METHOD. USE #8 HWH GRADE 5 SELF-DRILLING OR SELF-TAPPING SCREWS OF SUFFICIENT LENGTH TO ACHIEVE 3 THREADS MINIMUM PENETRATION BEYOND METAL FRAME SUBSTRATE ANCHORS SHALL BE PLACED TO MAINTAIN MINIMUM 3/8" EDGE DISTANCE. ANCHOR NAIL FIN 6" FROM CORNERS AND 10.5" O.C.
- THROUGH FRAME:** FOR INSTALLATION INTO 2X BUCK USE #10 WOOD SCREWS OF SUFFICIENT LENGTH TO ACHIEVE 1 1/2 INCH MINIMUM EMBEDMENT INTO WOOD SUBSTRATE AND SHALL MAINTAIN MINIMUM 3/4" EDGE DISTANCE.
- THROUGH FRAME:** FOR INSTALLATION THROUGH 1X BUCK TO CONCRETE/MASONRY, OR DIRECTLY INTO CONCRETE/MASONRY, USE ONE (1) 3/16 INCH ITW TAPCON OF SUFFICIENT LENGTH TO ACHIEVE 1 1/4 INCH MINIMUM EMBEDMENT AND SHALL MAINTAIN MINIMUM 2" EDGE DISTANCE.
- THROUGH FRAME:** FOR INSTALLATION INTO METAL SUBSTRATES USE #10 HWH GRADE 5 SELF-DRILLING OR SELF-TAPPING SCREWS OF SUFFICIENT LENGTH TO ACHIEVE 3 THREADS MINIMUM PENETRATION BEYOND METAL FRAME SUBSTRATE AND SHALL MAINTAIN MINIMUM 3/4" EDGE DISTANCE.
- MINIMUM EMBEDMENT AND EDGE DISTANCE EXCLUDE WALL FINISHES, INCLUDING BUT NOT LIMITED TO STUCCO, FOAM, BRICK VENEER, AND SIDING.
- INSTALLATION ANCHORS AND ASSOCIATED HARDWARE MUST BE MADE OF CORROSION RESISTANT MATERIAL OR HAVE A CORROSION RESISTANT COATING.
- FOR HOLLOW BLOCK AND GROUT FILLED BLOCK, DO NOT INSTALL INSTALLATION ANCHORS INTO MORTAR JOINTS. EDGE DISTANCE IS MEASURED FROM FREE EDGE OF BLOCK OR EDGE OF MORTAR JOINT INTO FACE SHELL OF BLOCK.

INSTALLATION NOTES (CONTINUED):

- INSTALLATION ANCHORS SHALL BE INSTALLED IN ACCORDANCE WITH ANCHOR MANUFACTURER'S INSTALLATION INSTRUCTIONS, AND ANCHORS SHALL NOT BE USED IN SUBSTRATES WITH STRENGTHS LESS THAN THE MINIMUM STRENGTH SPECIFIED BY THE ANCHOR MANUFACTURER.
- INSTALLATION ANCHOR CAPACITIES FOR PRODUCTS HEREIN ARE BASED ON SUBSTRATE MATERIALS WITH THE FOLLOWING PROPERTIES:
 - WOOD - MINIMUM SPECIFIC GRAVITY OF 0.55.
 - CONCRETE - MINIMUM COMPRESSIVE STRENGTH OF 3000 PSI.
 - MASONRY - STRENGTH CONFORMANCE TO ASTM C-90
 - STEEL - MINIMUM YIELD STRENGTH OF 33 KSI. MINIMUM WALL THICKNESS OF 48 MILS (18 GAUGE).
 - ALUMINUM - MINIMUM WALL THICKNESS OF 1/8", 6063-T5 ALLOY OR BETTER.

GENERAL NOTES:

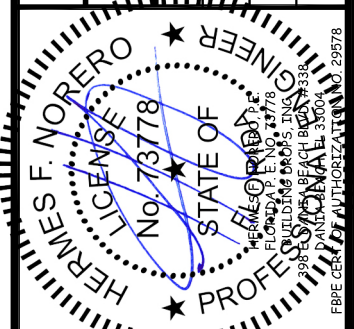
- THE PRODUCT SHOWN HEREIN IS DESIGNED AND MANUFACTURED TO COMPLY WITH THE 5TH EDITION (2014) FLORIDA BUILDING CODE, EXCLUDING HVHZ. THE PRODUCT HAS BEEN EVALUATED TO THE FOLLOWING:
 - AAMA/WDMA/CSA 101/1.S.2/A440-08/11
- ADEQUACY OF THE EXISTING STRUCTURAL CONCRETE/MASONRY, 2X AND METAL STUD FRAMING AS A MAIN WIND FORCE RESISTING SYSTEM CAPABLE OF WITHSTANDING AND TRANSFERRING APPLIED PRODUCT LOADS TO THE FOUNDATION IS THE RESPONSIBILITY OF THE ENGINEER OR ARCHITECT OF RECORD FOR THE PROJECT OF INSTALLATION.
- 1X AND 2X BUCKS (WHEN USED) SHALL BE DESIGNED AND ANCHORED TO PROPERLY TRANSFER ALL LOADS TO THE STRUCTURE. BUCK DESIGN AND INSTALLATION IS THE RESPONSIBILITY OF THE ENGINEER OR ARCHITECT OF RECORD FOR THE PROJECT OF INSTALLATION.
- THE INSTALLATION DETAILS DESCRIBED HEREIN ARE GENERIC AND MAY NOT REFLECT ACTUAL CONDITIONS FOR A SPECIFIC SITE. IF SITE CONDITIONS CAUSE INSTALLATION TO DEVIATE FROM THE REQUIREMENTS DETAILED HEREIN, A LICENSED ENGINEER OR ARCHITECT SHALL PREPARE SITE SPECIFIC DOCUMENTS FOR USE WITH THIS DOCUMENT.
- APPROVED IMPACT PROTECTIVE SYSTEM **IS REQUIRED** TO PROTECT THIS PRODUCT IN AREAS REQUIRING IMPACT RESISTANCE.
- WINDOW FRAME MATERIAL: *ALUMINUM CLAD AND WOOD*
- SEE SHEET 4 FOR GLAZING DETAILS.
- DESIGNATIONS "X" AND "O" STAND FOR THE FOLLOWING:
 - X: OPERABLE PANEL
 - O: FIXED PANEL

TABLE OF CONTENTS		
SHEET	REVISION	SHEET DESCRIPTION
1	-	GENERAL & INSTALLATION NOTES
2	-	ELEVATIONS
3	-	THROUGH FRAME ANCHOR LAYOUT
4	-	CLIP INSTALLATION ANCHOR LAYOUT & GLAZING DETAIL
5	-	THROUGH FRAME INSTALLATION DETAILS
6	-	CLIP AND NAIL FIN INSTALLATION DETAILS
7	-	VERTICAL AND HORIZONTAL DETAILS
8	-	BILL OF MATERIALS & COMPONENTS
9	-	COMPONENTS

DESIGN PRESSURE RATING				
SIZE	CONFIGURATION	DESIGN PRESSURE	TYPE	GLASS
35.9" X 84"	X	+50/-50 PSF	SPRINGLINE	G1 OR G3
35.9" X 46.8"	X	+50/-50 PSF	ARCHTOP	G2 OR G3
35.9" X 75.8"	X	+50/-50 PSF	ARCHTOP	G1 OR G3
35.9" X 84"	X	+50/-50 PSF	RECTANGULAR	G1 OR G3
35.9" X 84"	X	+50/-50 PSF	ARCHTOP	G1 OR G3
71.9" X 84"	XX	+50/-50 PSF	RECTANGULAR	G1 OR G3

TITLE: 400 SERIES COMPLEMENTARY CASEMENT WINDOW
 GENERAL & INSTALLATION NOTES
 PREPARED BY:
 BUILDING DROPS, INC.
 398 E. DANIA BEACH BLVD. #338
 DANIA BEACH, FL 33004
 PH: (954) 399-8478 FX: (954) 744-4738

REVISIONS	DESCRIPTION	NO.	BY		DATE	
			BY	DATE	BY	DATE

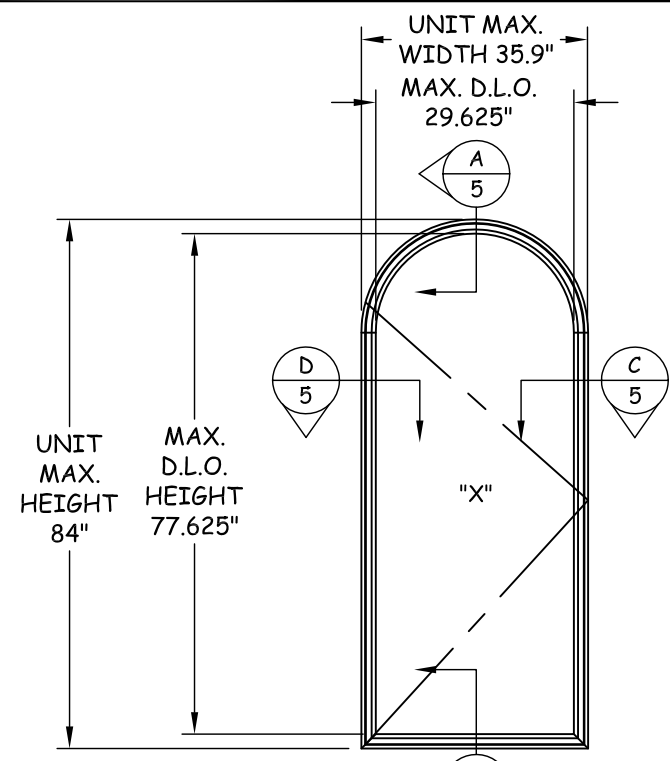


DATE: 11.10.16
 DWN BY: AM
 CHK BY: HFN
 SCALE: NTS
 DWG #: AWD104
 SHEET: 1 OF 9

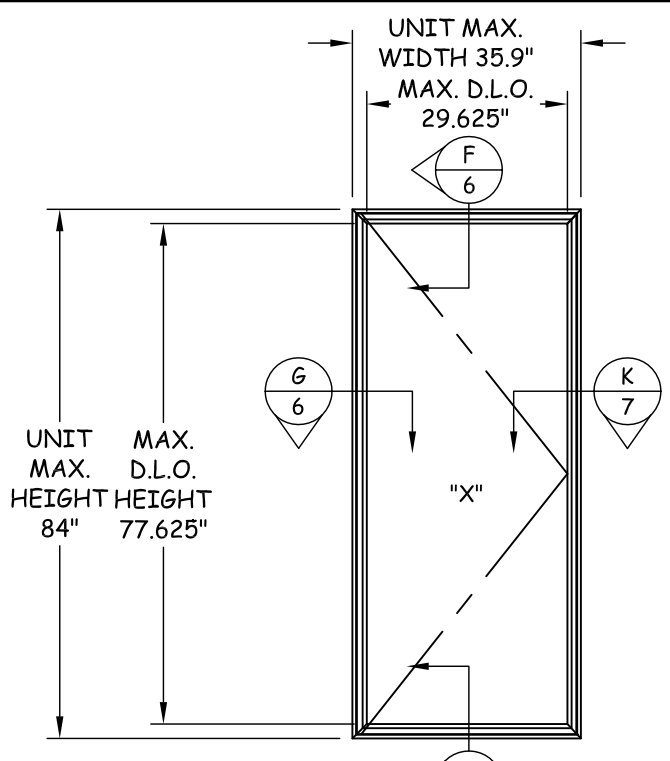
FL21840



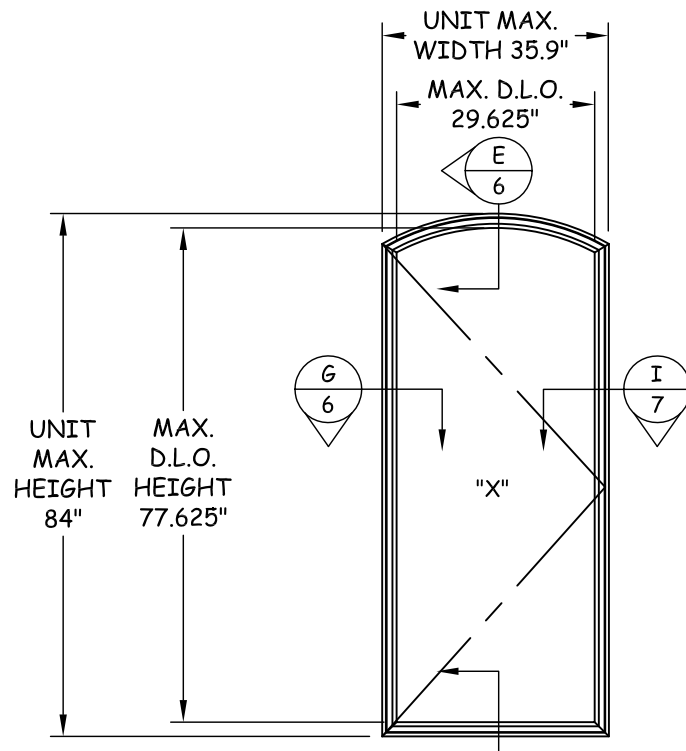
100 FOURTH AVE NORTH
 BAYPORT, MN 55003-1096
 PH: (651) 264-5150 FX: (651) 264-5485



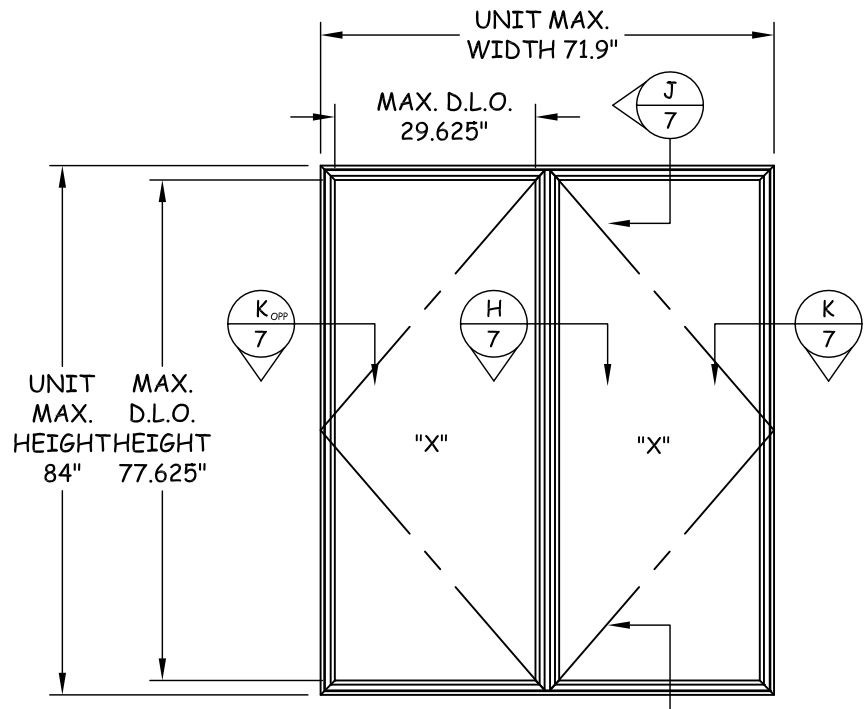
ELEVATION
 SINGLE CASEMENT
 35.9" X 84" UNIT
 SPRINGLINE



ELEVATION
 SINGLE CASEMENT
 35.9" X 84" UNIT
 RECTANGULAR



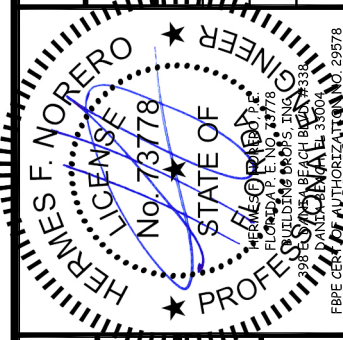
ELEVATION
 SINGLE CASEMENT
 35.9" X 84" UNIT
 ARCHTOP



ELEVATION
 DOUBLE CASEMENT
 71.9" X 84" UNIT
 RECTANGULAR

TITLE: 400 SERIES COMPLEMENTARY CASEMENT WINDOW ELEVATIONS
 PREPARED BY:
 BUILDING DROPS, INC.
 398 E. DANIA BEACH BLVD. #338
 DANIA BEACH, FL 33004
 PH: (954) 399-8478 FX: (954) 744-4738

REVISIONS	
DESCRIPTION	DATE

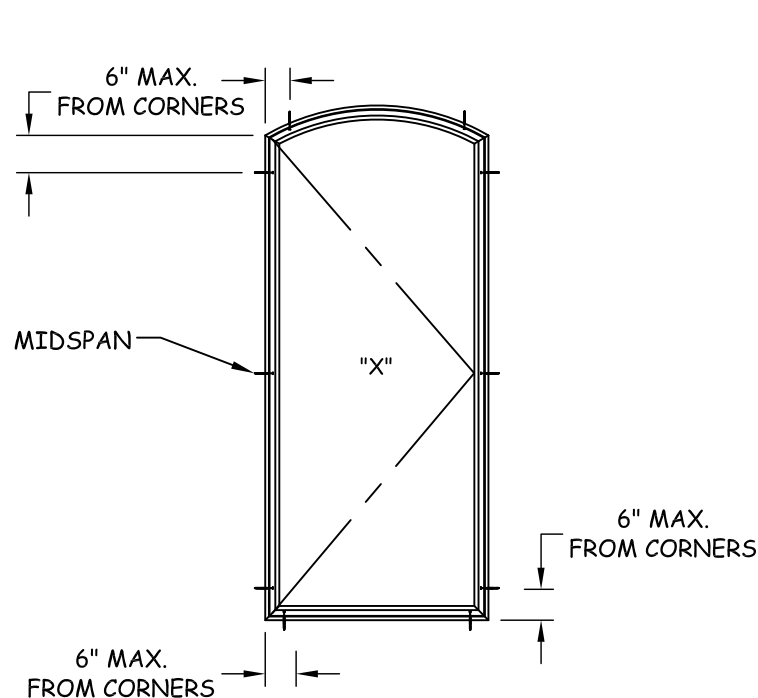


DATE: 11.10.16
 DWN BY: AM
 CHK BY: HFN
 SCALE: NTS

DWG #: **AWD104**
 SHEET: **2 OF 9**



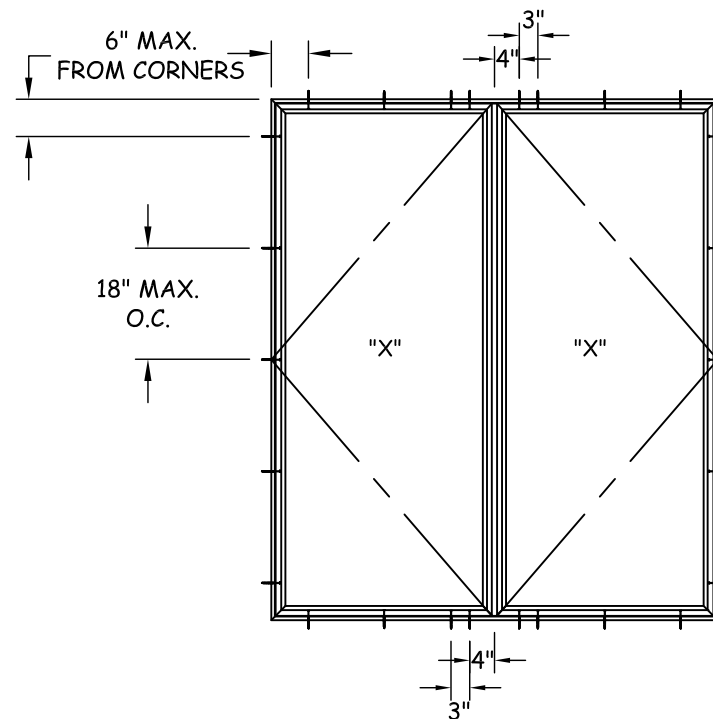
100 FOURTH AVE NORTH
BAYPORT, MN 55003-1096
PH: (651) 264-5150 FX: (651) 264-5485



TYPICAL ANCHOR LAYOUT

SINGLE CASEMENT (50 PSF)
THROUGH FRAME INSTALLATION

- NOTES:
- SINGLE ARCHTOP CASEMENT SHOWN, ANCHOR SPACING APPLIES TO SPRINGLINE AND SINGLE RECTANGULAR UNITS.
 - USE OF NAILING FIN IS OPTIONAL WHEN THROUGH FRAME INSTALLATION IS USED



TYPICAL ANCHOR LAYOUT

DOUBLE CASEMENT (50 PSF)
THROUGH FRAME INSTALLATION

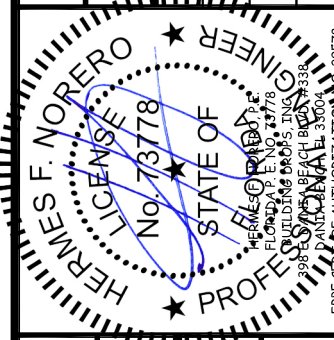
- BUTT HINGE ANCHOR REQUIREMENTS**
WHERE BUTT HINGES ARE PROVIDED, THE TOP AND BOTTOM HINGES SHALL BE ANCHORED TO THE OPENING WITH TWO ANCHORS AS FOLLOWS (MAX 1/4" SHIM):
- FOR INSTALLATION TO WOOD:**
- USE TWO (2) #10 WOOD SCREWS PER HINGE
 - MIN. 1 1/2" EMBEDMENT
 - MIN. 3/4" EDGE DISTANCE
 - MIN. 1" CENTER TO CENTER SPACING
- FOR INSTALLATION TO CONCRETE/CMU:**
- USE TWO (2) 3/16" ITW TAPCONS PER HINGE
 - MIN. 1 1/4" EMBEDMENT
 - MIN. 2" EDGE DISTANCE
 - MIN. 2" CENTER TO CENTER SPACING
- FOR INSTALLATION TO METAL:**
- USE TWO (2) #10 GR. 5 SMS PER HINGE
 - MIN. 3 THREADS PENETRATION BEYOND WALL
 - MIN. 1/2" EDGE DISTANCE
 - MIN. 1" CENTER TO CENTER SPACING

TITLE: 400 SERIES COMPLEMENTARY CASEMENT WINDOW THROUGH FRAME ANCHOR LAYOUTS

PREPARED BY:
BUILDING DROPS, INC.
398 E. DANIA BEACH BLVD. #338
DANIA BEACH, FL 33004

PH: (954) 399-8478 FX: (954) 744-4738

REVISIONS	
DESCRIPTION	DATE

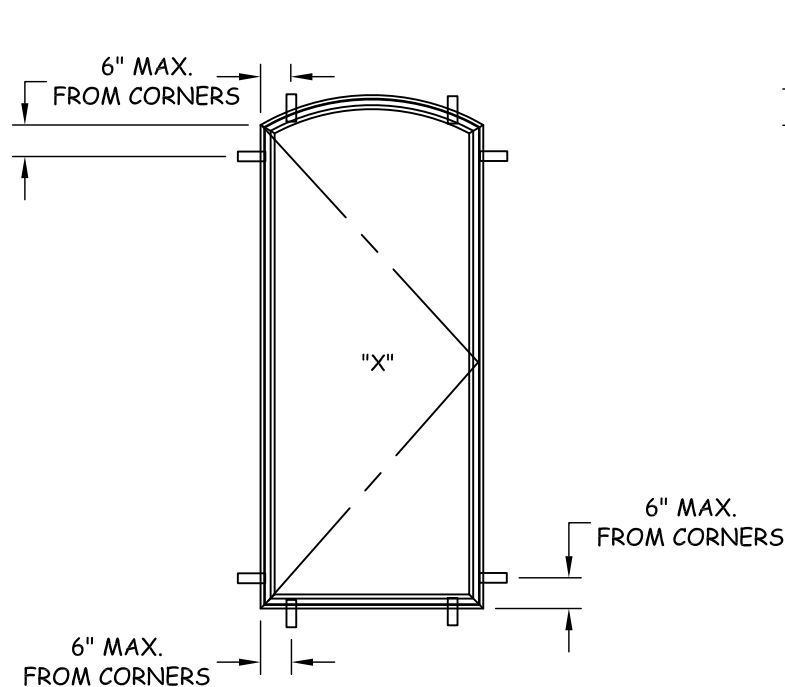


DATE: 11.10.16
DWN BY: AM
CHK BY: HFN
SCALE: NTS

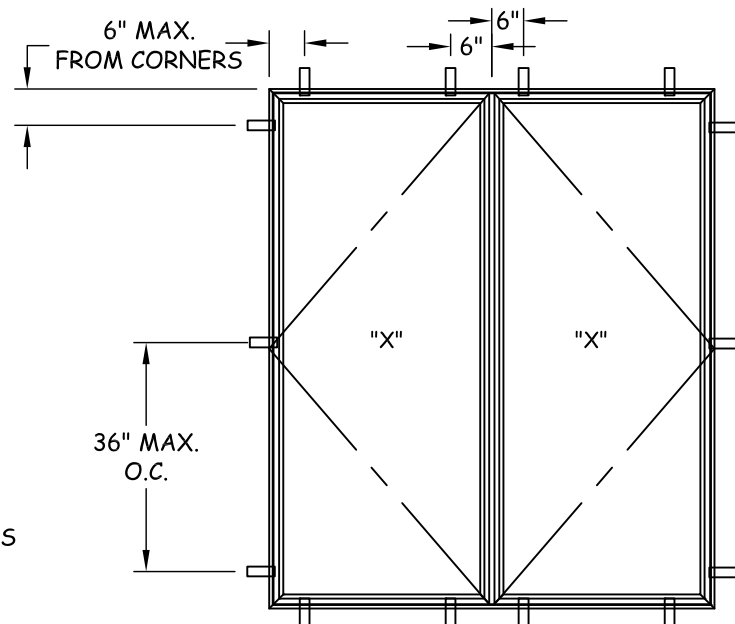
DWG #: **AWD104**
SHEET: **3 OF 9**



100 FOURTH AVE NORTH
BAYPORT, MN 55003-1096
PH: (651) 264-5150 FX: (651) 264-5485



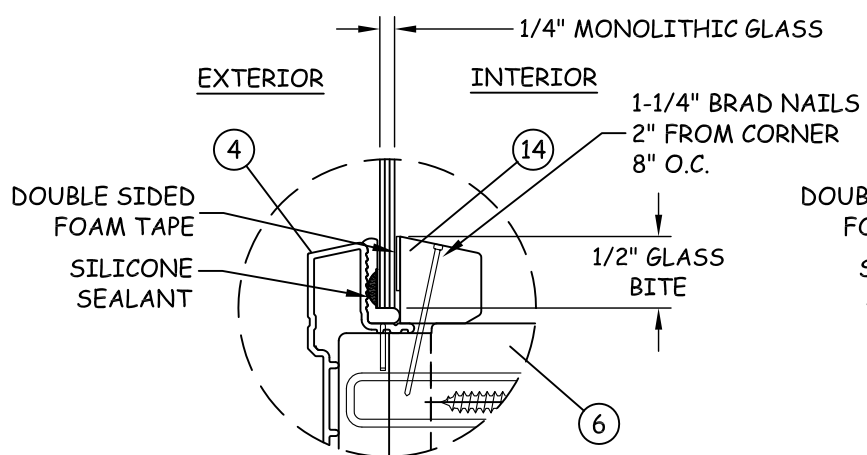
TYPICAL ANCHOR LAYOUT
SINGLE CASEMENT (50 PSF)
CLIP INSTALLATION



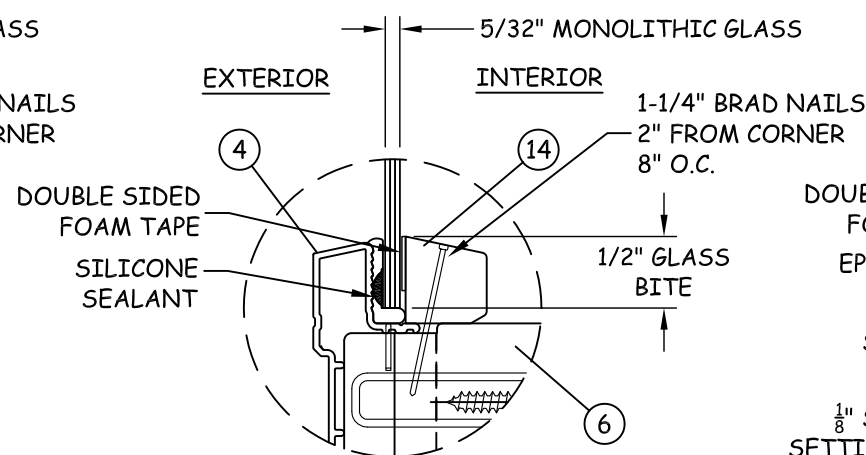
TYPICAL ANCHOR LAYOUT
DOUBLE CASEMENT (50 PSF)
CLIP INSTALLATION

- NOTES:**
- SINGLE ARCHTOP CASEMENT SHOWN, ANCHOR SPACING APPLIES TO SPRINGLINE AND SINGLE RECTANGULAR UNITS.
 - USE OF NAILING FIN IS REQUIRED WHEN CLIP INSTALLATION IS USED

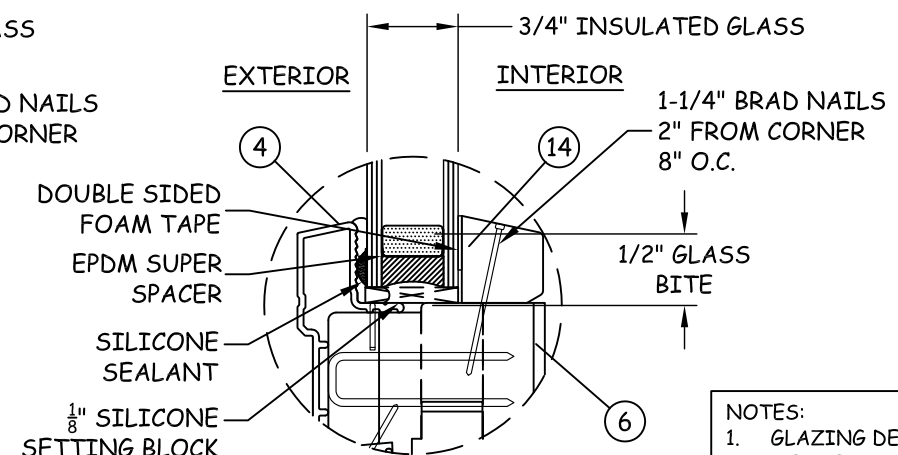
- BUTT HINGE ANCHOR REQUIREMENTS**
WHERE BUTT HINGES ARE PROVIDED, THE TOP AND BOTTOM HINGES SHALL BE ANCHORED TO THE OPENING WITH TWO ANCHORS AS FOLLOWS (MAX 1/4" SHIM):
- FOR INSTALLATION TO WOOD:**
- USE TWO (2) #10 WOOD SCREWS PER HINGE
 - MIN. 1 1/2" EMBEDMENT
 - MIN. 3/4" EDGE DISTANCE
 - MIN. 1" CENTER TO CENTER SPACING
- FOR INSTALLATION TO CONCRETE/CMU:**
- USE TWO (2) 3/16" ITW TAPCONS PER HINGE
 - MIN. 1 1/4" EMBEDMENT
 - MIN. 2" EDGE DISTANCE
 - MIN. 2" CENTER TO CENTER SPACING
- FOR INSTALLATION TO METAL:**
- USE TWO (2) #10 GR. 5 SMS PER HINGE
 - MIN. 3 THREADS PENETRATION BEYOND WALL
 - MIN. 1/2" EDGE DISTANCE
 - MIN. 1" CENTER TO CENTER SPACING



GLAZING DETAIL - G1



GLAZING DETAIL - G2



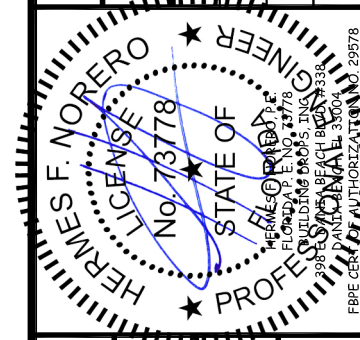
GLAZING DETAIL - G3

- NOTES:**
- GLAZING DETAILS SHOW LINEAL FRAME MEMBERS. THE SAME REQUIREMENTS APPLY AT CURVED FRAME MEMBERS.
 - GLASS TYPE AND THICKNESS SHALL COMPLY WITH ASTM E1300-04 GLASS CHART REQUIREMENTS.

TITLE: 400 SERIES COMPLEMENTARY CASEMENT WINDOW INSTALLATION CLIP ANCHOR LAYOUTS & GLAZING DETAIL

PREPARED BY:
BUILDING DROPS, INC.
398 E. DANIA BEACH BLVD. #338
DANIA BEACH, FL 33004
PH: (954) 399-8478 FX: (954) 744-4738

NO.	DESCRIPTION	REVISIONS	
		BY	DATE

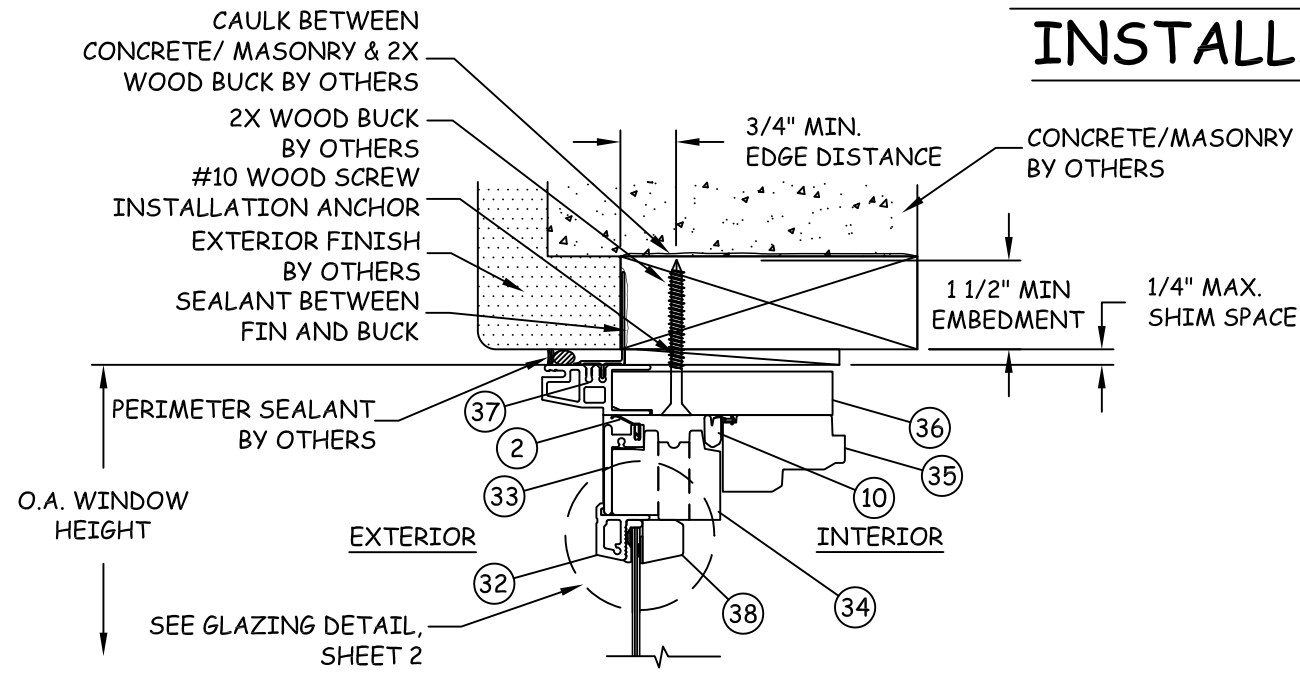


DATE: 11.10.16
DWN BY: AM
CHK BY: HFN
SCALE: NTS

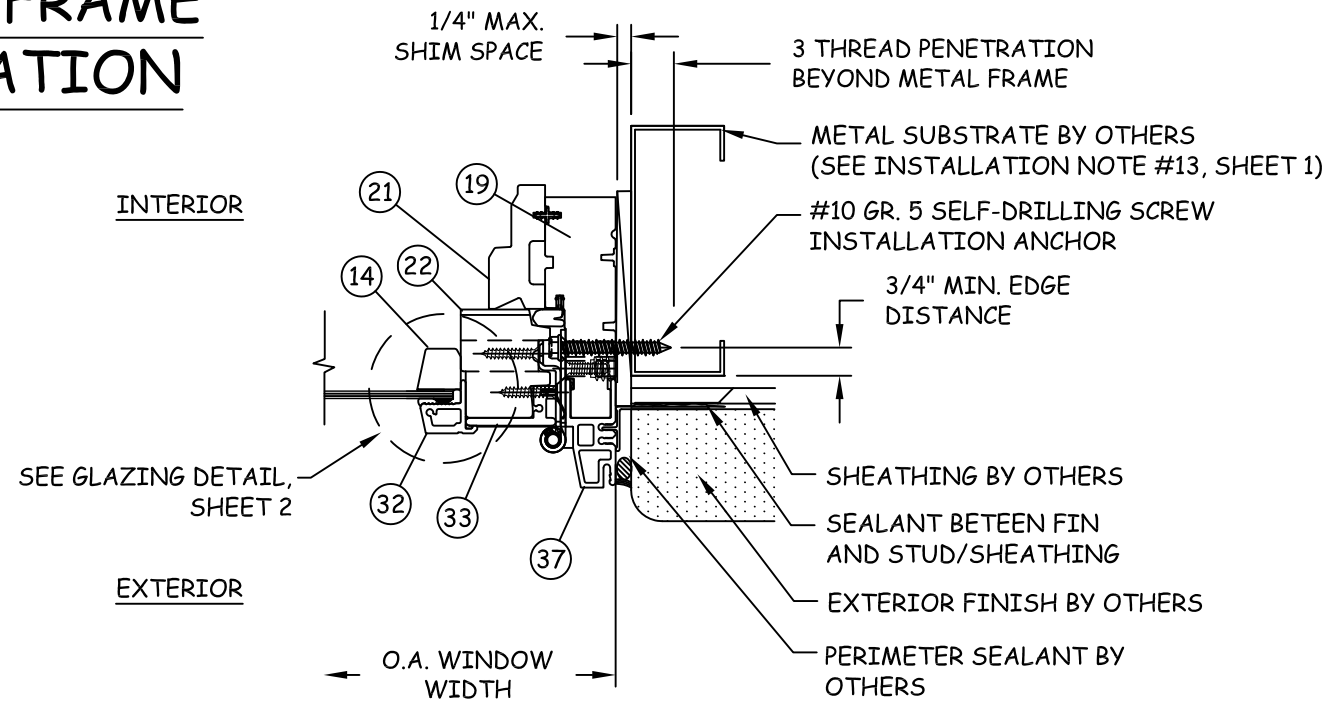
DWG #: **AWD104**

SHEET: **4 OF 9**

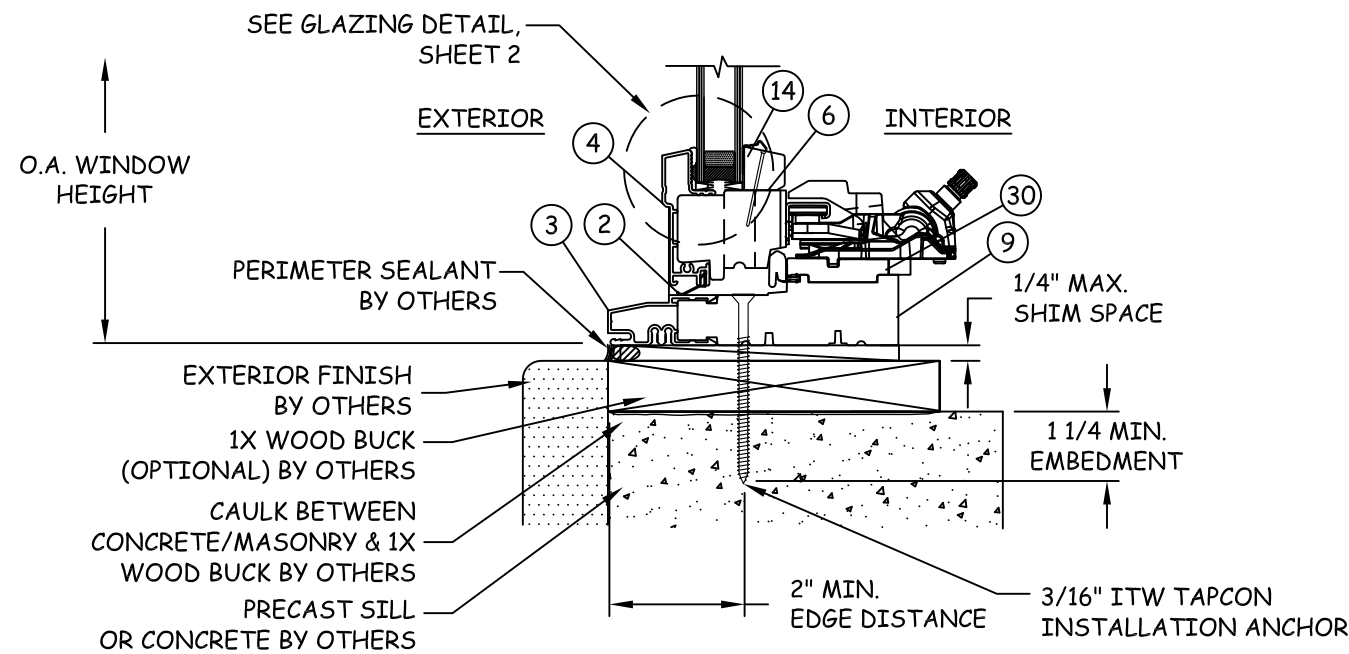
THROUGH FRAME INSTALLATION



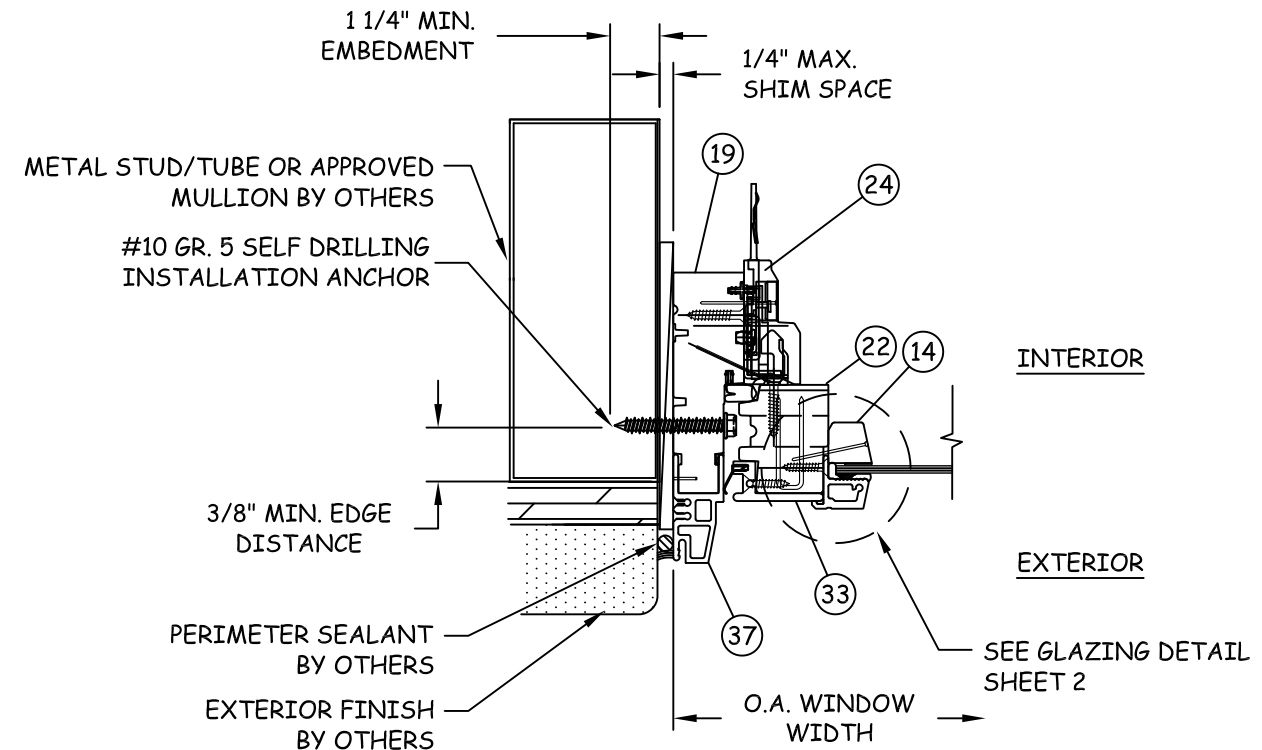
A
5 **VERTICAL SECTION**
HEAD - 2X WOOD BUCK
THROUGH FRAME W/ OPTIONAL NAIL FIN



C
5 **HORIZONTAL SECTION**
JAMB - METAL FRAME SUBSTRATE
THROUGH FRAME W/ OPTIONAL NAIL FIN



B
5 **VERTICAL SECTION**
SILL - 1X WOOD ON CONCRETE/MASONRY
THROUGH FRAME



D
5 **HORIZONTAL SECTION**
JAMB - METAL TUBE OR APPROVED MULLION
THROUGH FRAME

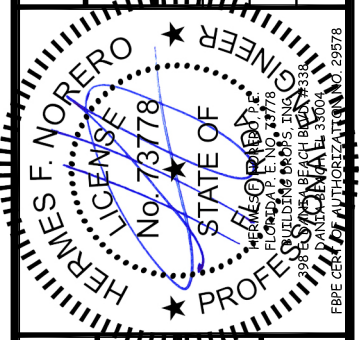
NOTE: THROUGH FRAME
INSTALLATION METHOD MAY BE
USED WITH LINEAL OR CURVED
FRAMES.



100 FOURTH AVE NORTH
BAYPORT, MN 55003-1096
PH: (651) 264-5150 FX: (651) 264-5485

TITLE: 400 SERIES COMPLEMENTARY
CASEMENT WINDOW
THROUGH FRAME
INSTALLATION DETAILS
PREPARED BY:
BUILDING DROPS, INC.
398 E. DANIA BEACH BLVD. #338
DANIA BEACH, FL 33004
PH: (954) 399-8478 FX: (954) 744-4738

REVISIONS	DESCRIPTION	NO.	BY	DATE



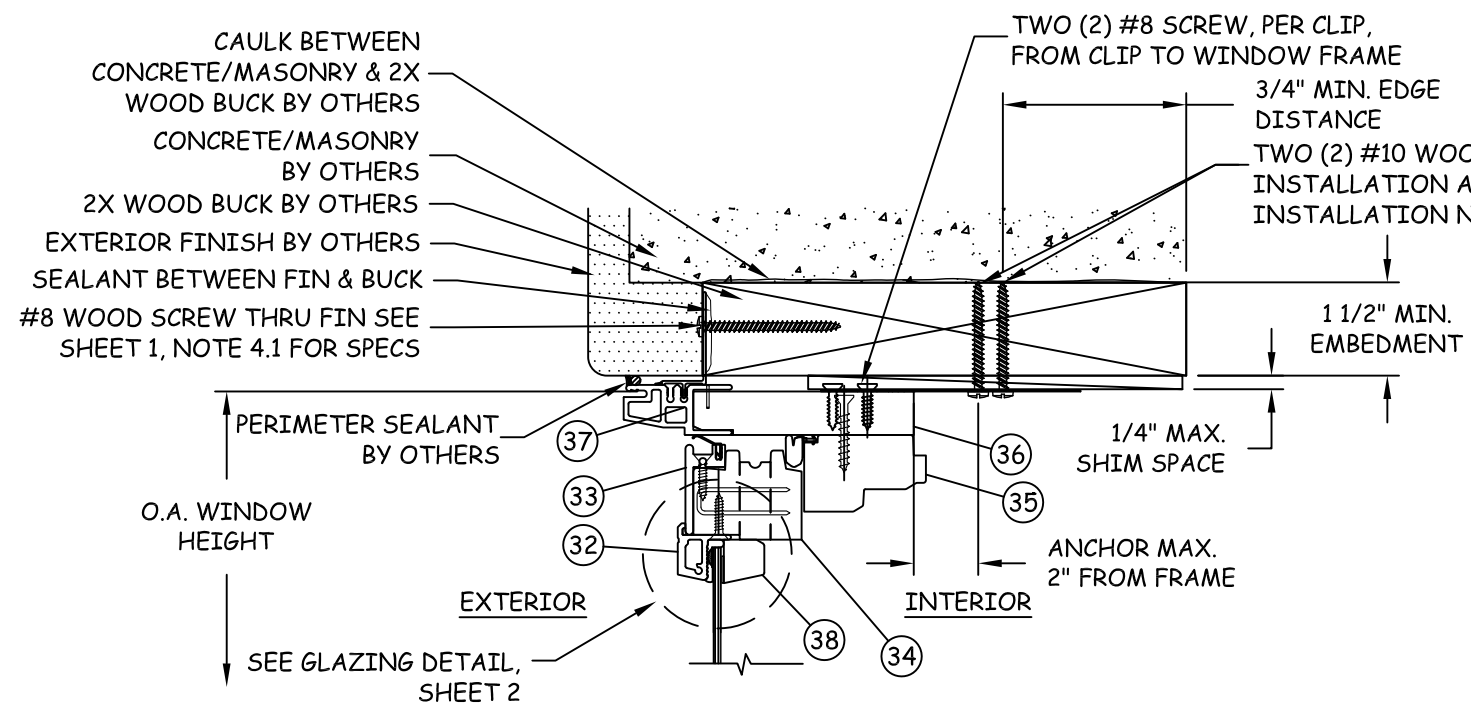
DATE: 11.10.16
DWN BY: AM
CHK BY: HFN
SCALE: NTS

DWG #: **AWD104**
SHEET: **5 OF 9**

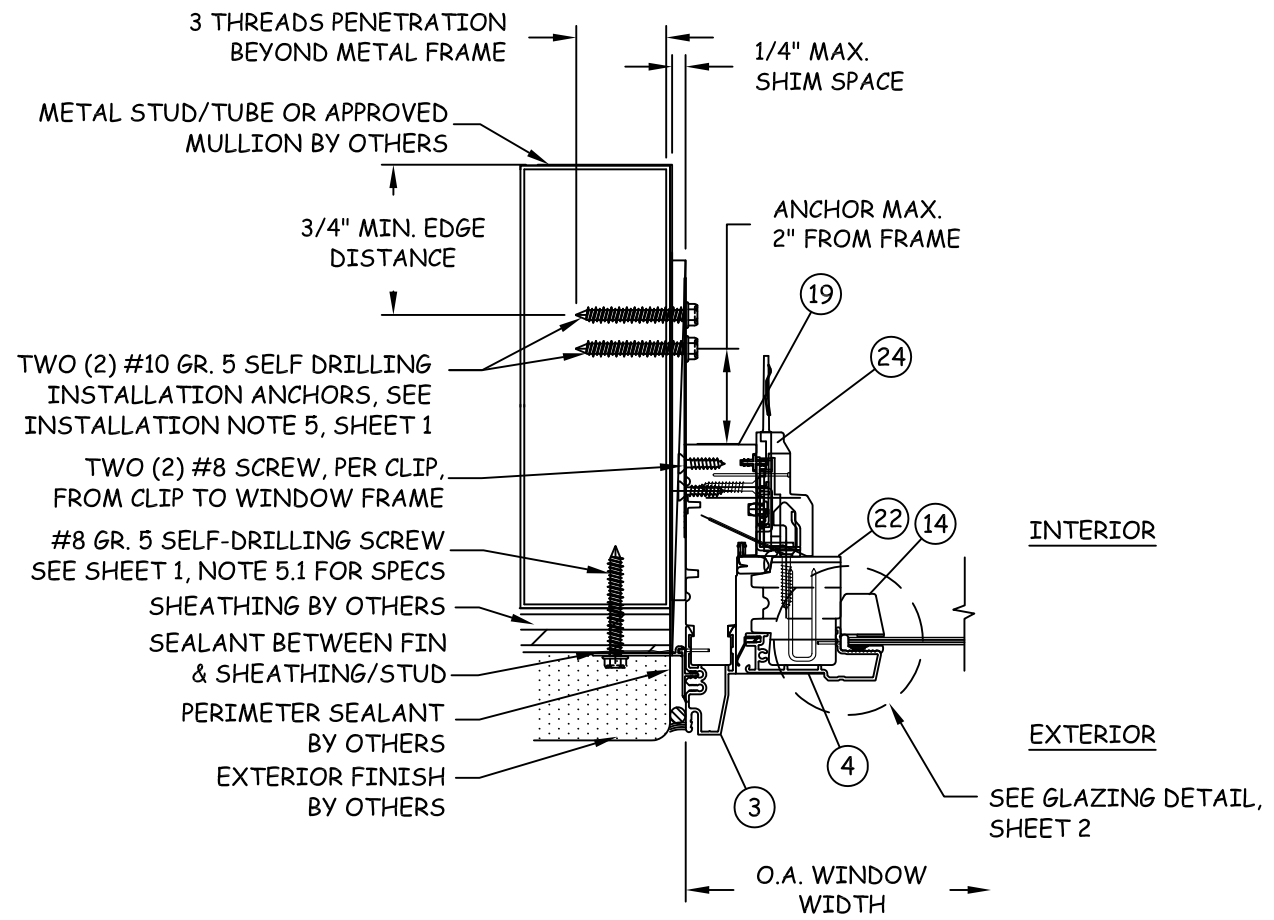


100 FOURTH AVE NORTH
BAYPORT, MN 55003-1096
PH: (651) 264-5150 FX: (651) 264-5485

TITLE: 400 SERIES COMPLEMENTARY CASEMENT WINDOW CLIP & NAIL FIN INSTALLATION DETAILS
PREPARED BY: BUILDING DROPS, INC. 398 E. DANIA BEACH BLVD. #338 DANIA BEACH, FL 33004
PH: (954) 399-8478 FX: (954) 744-4738



E
6 VERTICAL SECTION
HEAD - 2X WOOD BUCK
CLIP AND NAIL FIN INSTALLATION

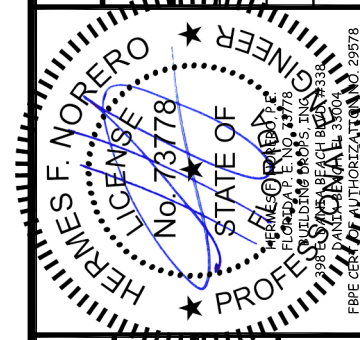


G
6 HORIZONTAL SECTION
JAMB- METAL TUBE OR APPROVED MULLION
CLIP AND NAIL FIN INSTALLATION

- NOTES:
- USE NAIL FIN COMPONENT #1 AT LINEAL FRAME MEMBERS AND #41 AT CURVED MEMBERS
 - NAIL FIN ANCHORS SHALL BE INSTALLED 4" MAX. FROM CORNERS AND 10.5" MAX. O.C.

NOTE: CLIP AND NAIL FIN INSTALLATION METHOD MAY BE USED WITH LINEAL OR CURVED FRAMES.

NO.	REVISIONS	DESCRIPTION	BY	DATE



DATE: 11.10.16
DWN BY: AM
CHK BY: HFN
SCALE: NTS

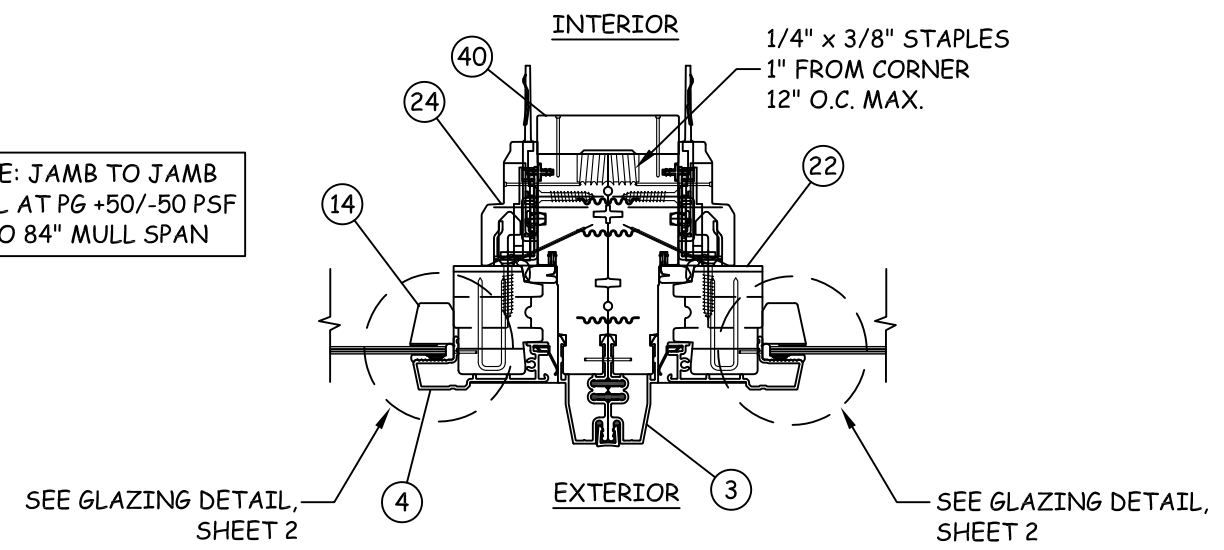
DWG #: AWD104
SHEET: 6 OF 9



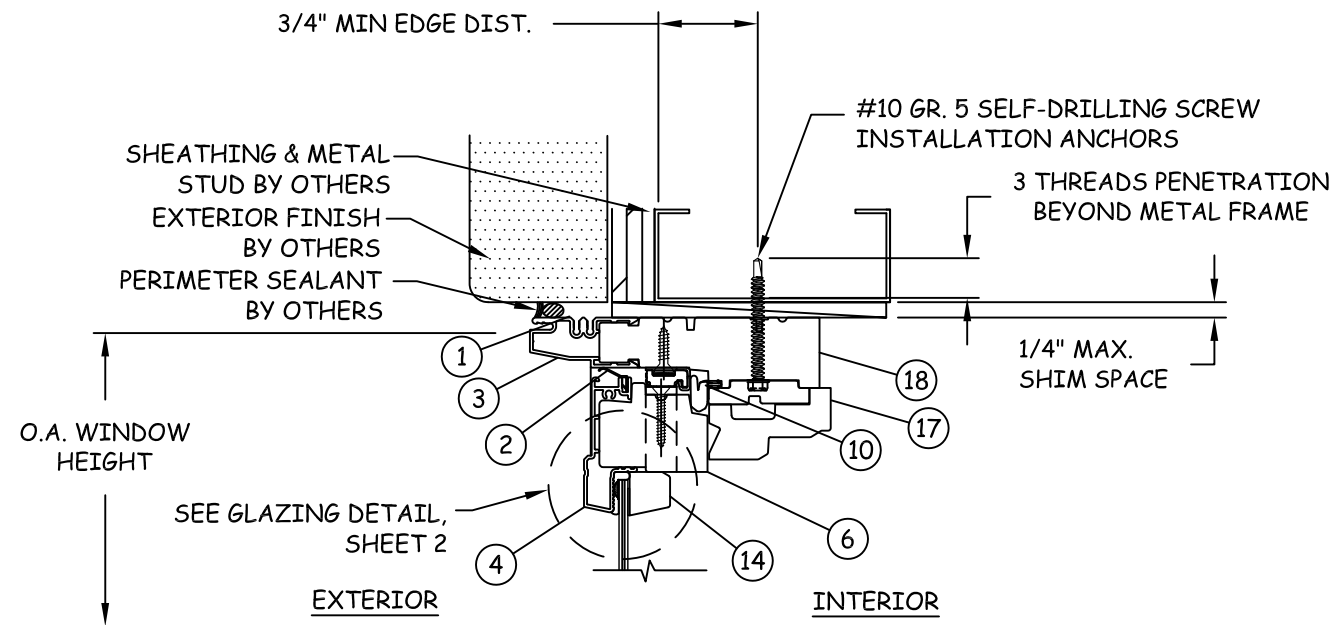
100 FOURTH AVE NORTH
BAYPORT, MN 55003-1096
PH: (651) 264-5150 FX: (651) 264-5485

TITLE: 400 SERIES COMPLEMENTARY CASEMENT WINDOW
INSTALLATION CLIP DETAILS
PREPARED BY:
BUILDING DROPS, INC.
398 E. DANIA BEACH BLVD. #338
DANIA BEACH, FL 33004
PH: (954) 399-8478 FX: (954) 744-4738

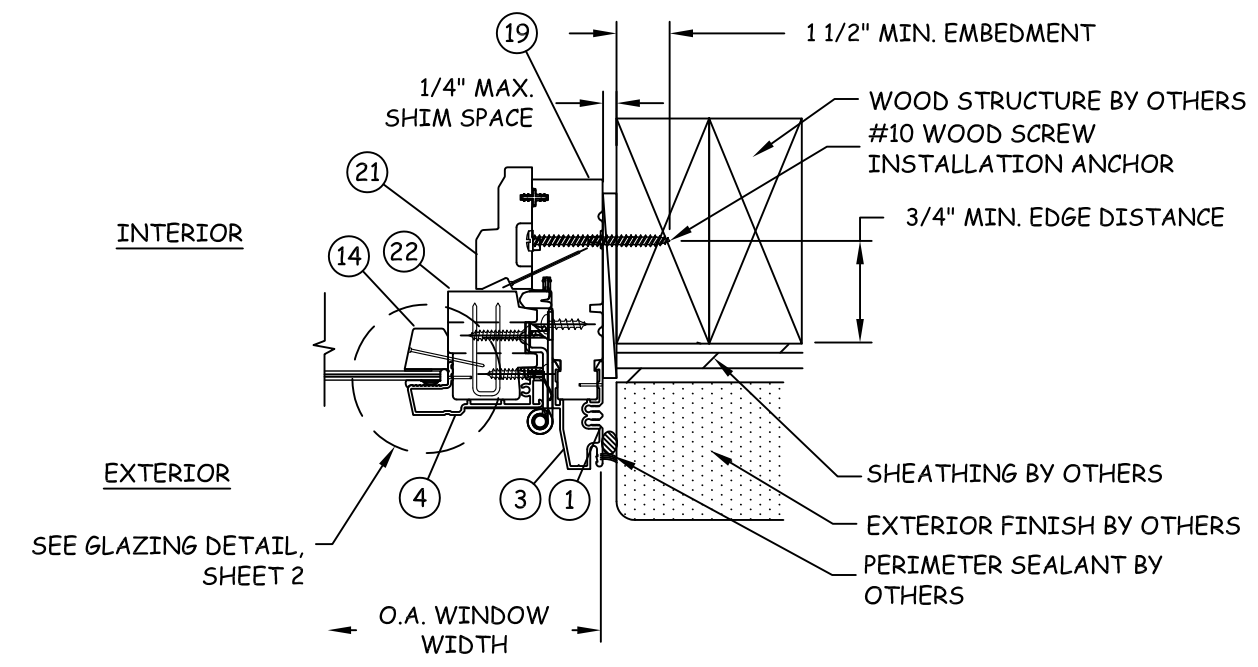
NOTE: JAMB TO JAMB MULL AT PG +50/-50 PSF UP TO 84" MULL SPAN



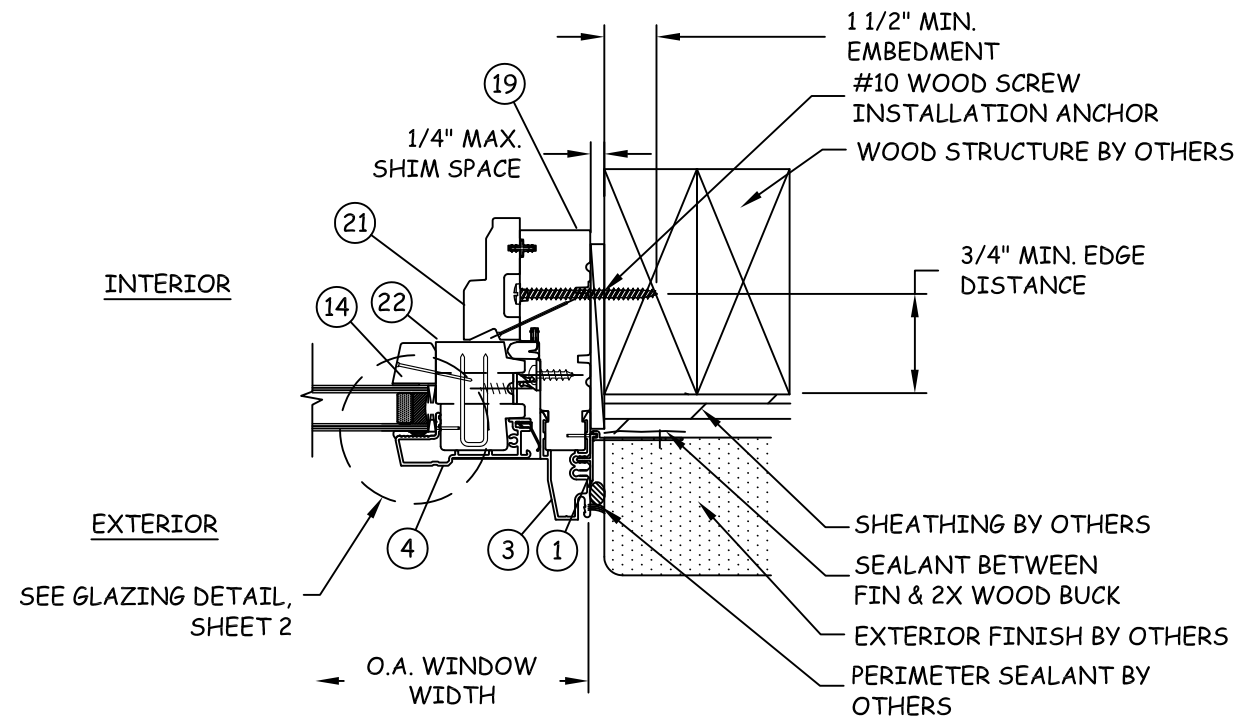
H
7 HORIZONTAL SECTION
JAMB TO JAMB MULLION



J
7 VERTICAL SECTION
LINEAL HEAD - METAL FRAME SUBSTRATE THROUGH FRAME



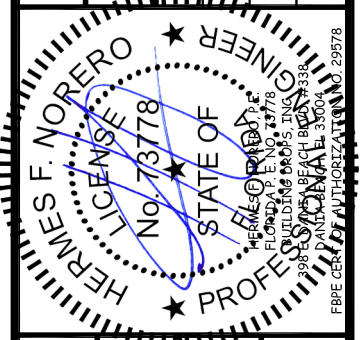
I
7 HORIZONTAL SECTION
CURVED JAMB - WOOD BUCK THROUGH FRAME



K
7 HORIZONTAL SECTION
LINEAL JAMB - WOOD BUCK THROUGH FRAME W/ OPTIONAL NAIL FIN

REVISIONS

NO.	DESCRIPTION	BY	DATE



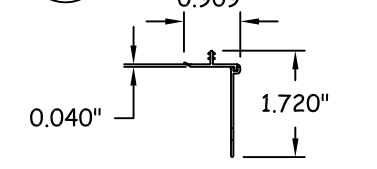
DATE: 11.10.16
DWN BY: AM
CHK BY: HFN
SCALE: NTS
DWG #: **AWD104**
SHEET: **7 OF 9**



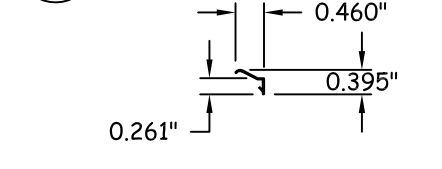
100 FOURTH AVE NORTH
BAYPORT, MN 55003-1096
PH: (651) 264-5150 FX: (651) 264-5485

TITLE: 400 SERIES COMPLEMENTARY CASEMENT WINDOW
BILL OF MATERIALS
PREPARED BY:
BUILDING DROPS, INC.
398 E. DANIA BEACH BLVD. #338
DANIA BEACH, FL 33004
PH: (954) 399-8478 FX: (954) 744-4738

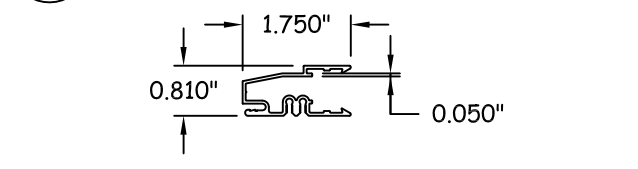
1 NAILING FIN



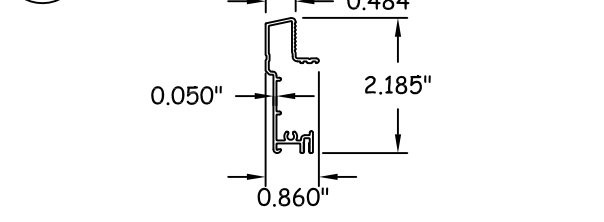
2 SASH RAINSKIRT



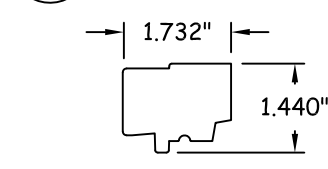
3 ALUMINUM FRAME CLADDING



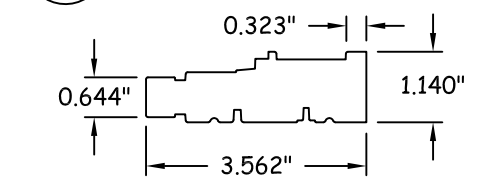
4 ALUMINUM SASH CLADDING



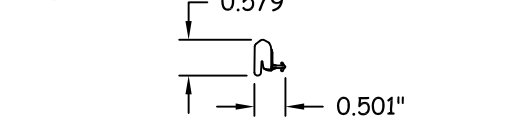
6 SASH RAIL



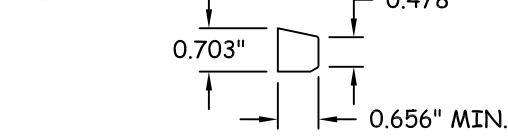
9 SILL FRAME LINEAL



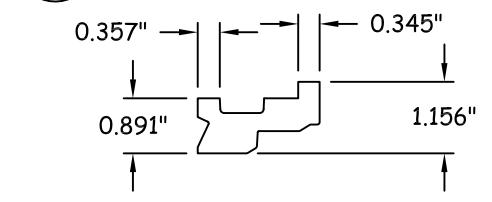
10 FRAME WEATHERSEAL



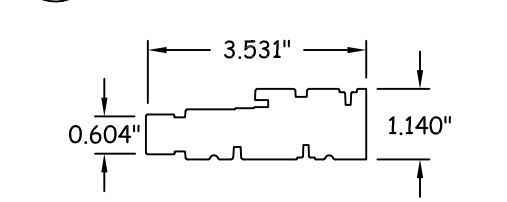
14 LINEAL GLAZING STOP



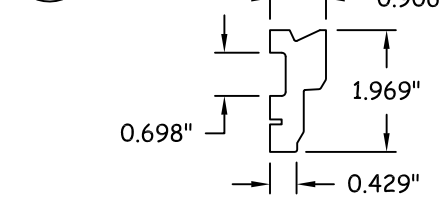
17 HEAD SASH STOP



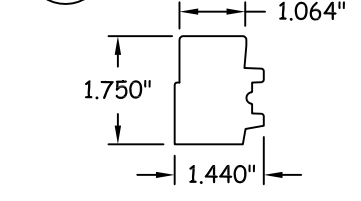
19 JAMB FRAME



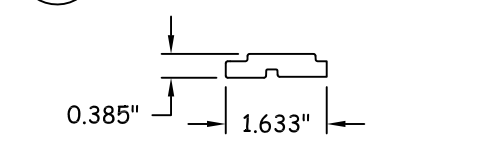
21 JAMB SASH STOP



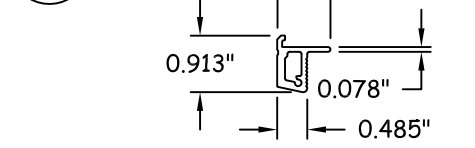
22 SASH STILE



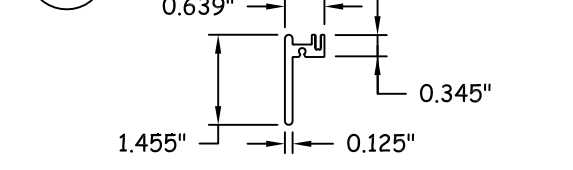
30 HEAD & SILL SPACER



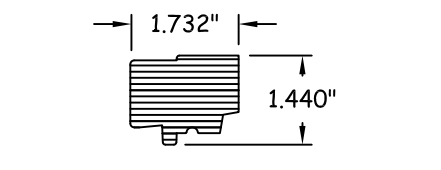
32 CURVED GLASS STOP



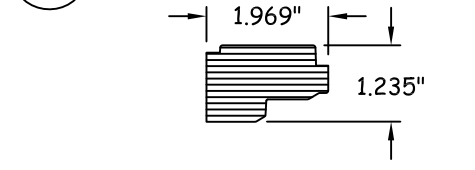
33 CURVED SASH CLADDING



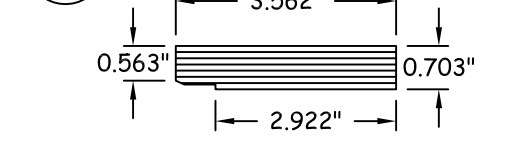
34 CURVED SASH RAIL



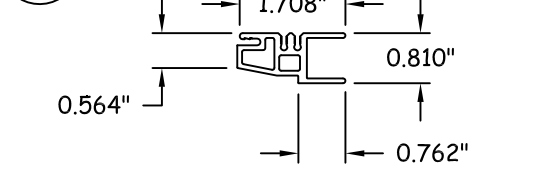
35 CURVED SASH STOP



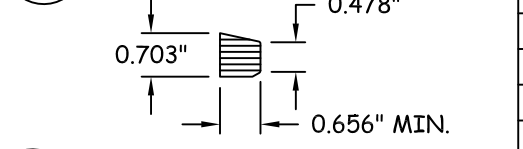
36 CURVED HEAD FRAME



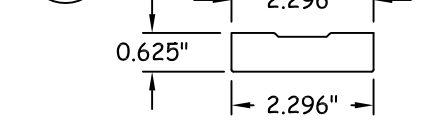
37 CURVED FRAME CLADDING



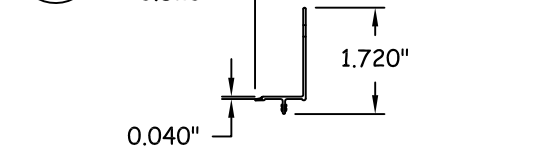
38 CURVED GLAZING STOP



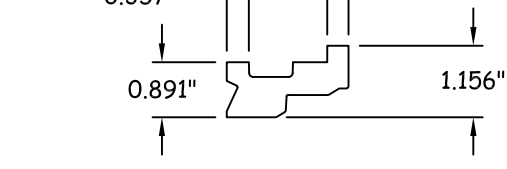
40 MULLION COVER



41 FLEXIBLE NAILING FIN



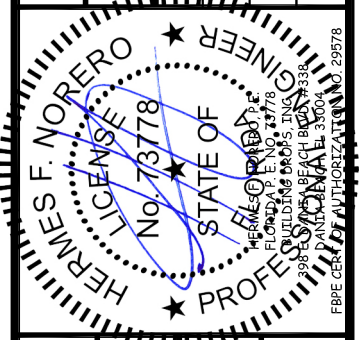
24 LOCKSIDE SASH STOP



ITEM	DESCRIPTION	PART NO.
41	FLEXIBLE NAILING FIN	PF1886
40	MULLION COVER	PF1796
39	BUTT HINGES	
38	CURVED GLAZING STOP	PF1011/1483/1755/1016
37	CURVED FRAME CLADDING	PF1001
36	CLAD CASEMENT HEAD FRAME MEMBER, CURVED	PF1763
35	CASEMENT INTERIOR SASH STOP - CURVED	PF1776
34	TOP SASH RAIL - CURVED	PF1767
33	CURVED SASH CLADDING	PF1018
32	CURVED ALUMINUM GLASS STOP	PF1017 OR 1458
31	CONCEALED FASTENER SPLINE	PF2506
30	CASEMENT HEAD & SILL MITERED FRAME SPACER	PF2500
29	NOT USED	
28	FRAME GASKET FOR MITERED FRAME (COLOR)	114211, 114212, 114213
27	INSTALLATION CLIP	P/N112736
26	OPERATOR COVER - STRAIGHT ARM	PF2144
25	NOT USED	
24	LOCK SIDE SASH STOP	PF2502
23	NOT USED	
22	SASH STILE - LINEAL	PF1767
21	JAMB SASH STOP MITERED FRAME	PF2502
20	HARDWARE KIT 'X' SASH LOCK	VARIES BY HEIGHT
19	JAMB FRAME MEMBER MITERED FRAME - LINEAL	PF2501
18	HEAD FRAME MEMBER MITERED FRAME - LINEAL	PF2Y98
17	HEAD SASH STOP MITERED FRAME - LINEAL	PF2503
16	TOP SASH RAIL - LINEAL	PF1766
15	NOT USED	
14	INTERIOR GLAZING STOP - LINEAL	PF1011/1483/1755/1008
13	OPERATOR COVER - SPLIT ARM	PF2144
12B	NOT USED	
12A	NOT USED	
11	NOT USED	
10	FRAME WEATHERSEAL - LINEAL	PF2561
9	SILL FRAME MEMBER MITERED FRAME - LINEAL	PF2498
8	NOT USED	
7	NOT USED	
6	SASH RAIL	PF1766
5	NOT USED	
4	ALUMINUM SASH CLADDING - LINEAL	PF1074
3	ALUMINUM FRAME CLADDING - LINEAL	PF1002
2	SASH RAINSKIRT - LINEAL	PF1026
1	NAILING FIN	PF2081

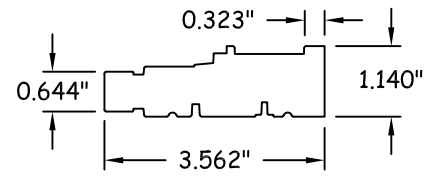
REVISIONS

NO.	DESCRIPTION	BY	DATE



DATE: 11.10.16
DWN BY: AM
CHK BY: HFN
SCALE: NTS
DWG #: AWD104
SHEET: 8 OF 9

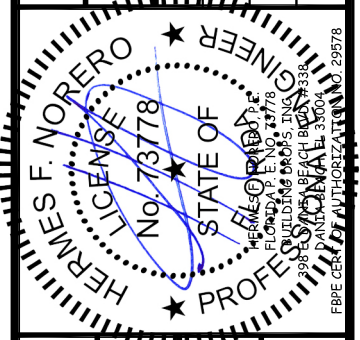
18 HEAD FRAME LINEAL



100 FOURTH AVE NORTH
 BAYPORT, MN 55003-1096
 PH: (651) 264-5150 FX: (651) 264-5485

TITLE: 400 SERIES COMPLEMENTARY
 CASEMENT WINDOW
 BILL OF MATERIALS
 PREPARED BY:
 BUILDING DROPS, INC.
 398 E. DANIA BEACH BLVD. #338
 DANIA BEACH, FL 33004
 PH: (954) 399-8478 FX: (954) 744-4738

REVISIONS		
NO.	DESCRIPTION	BY DATE



DATE: 11.10.16
 DWN BY: AM
 CHK BY: HFN
 SCALE: NTS

DWG #: **AWD104**
 SHEET: **9 OF 9**