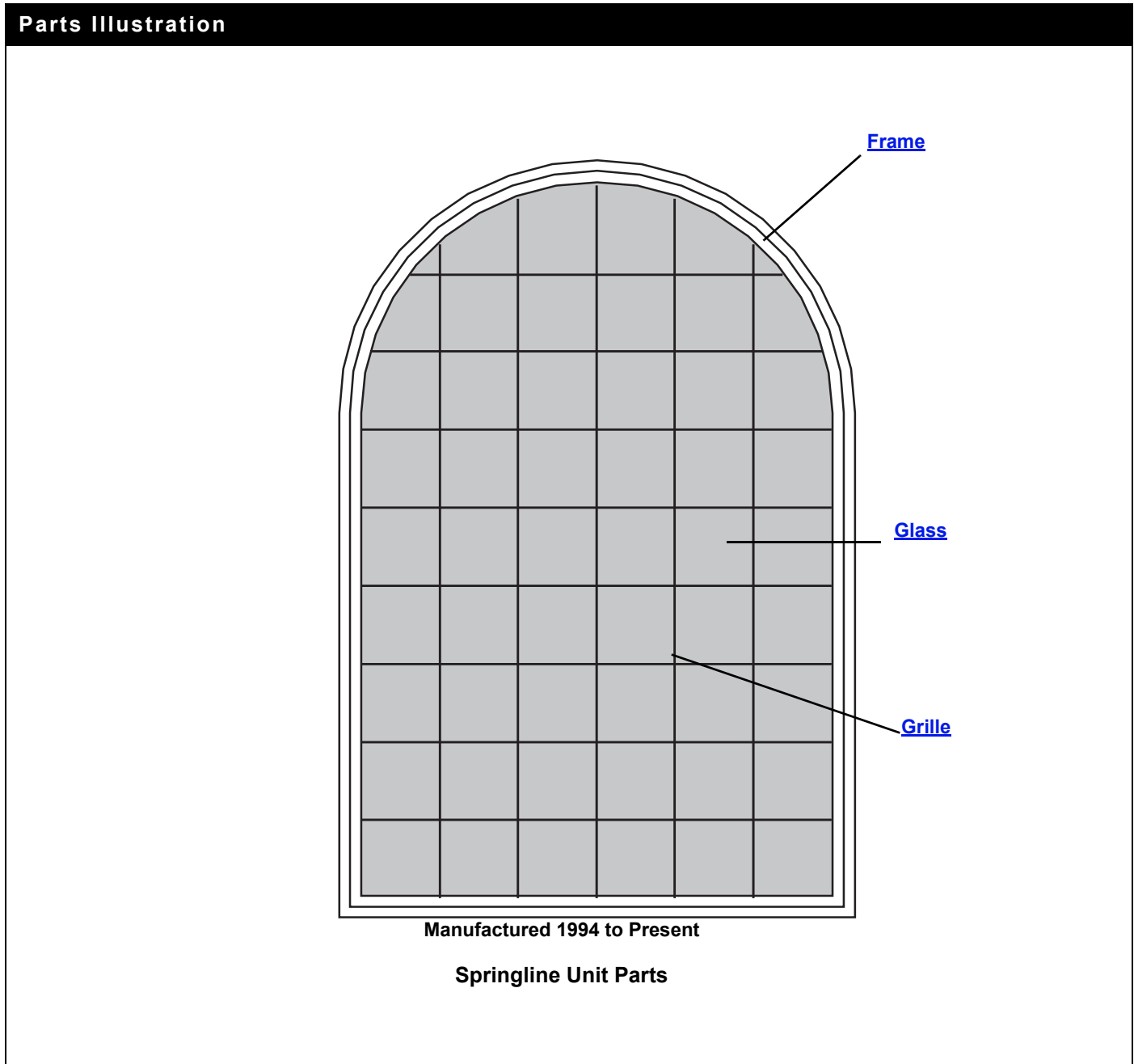


<b>What's in This Section</b>
-------------------------------

<b>Standard Windows</b> .....	<b>Page 3</b>
<b>Parts Illustration</b> .....	<b>3</b>
<b>Unit Sizes</b> .....	<b>4</b>
400 Series Product Label .....	4
Unit Size Chart .....	5
<b>Product History</b> .....	<b>7</b>
Product History .....	7
<b>Glass</b> .....	<b>8</b>
Glass Size Table .....	8
Glass .....	10
Glass Parts .....	11
<b>Grilles</b> .....	<b>12</b>
Interior Grilles - Colonial .....	12
Interior Grilles - Renaissance .....	17
Interior Grille Parts .....	22
<b>Frames</b> .....	<b>23</b>
Frame Assembly .....	23
Trim Options and Applications .....	24
Inside Casing .....	25
Drywall Return Bead .....	26
Extension Jambs .....	27
Stops .....	28
Block - Component Key .....	30
Trim Parts .....	30
Installation Flanges .....	31
Installation Kits for Standard (Non-IR) Units .....	31
<b>Joining Components</b> .....	<b>32</b>
Narrow Mullion .....	32
Support Mullion .....	34
Reinforced Mull Joining Components - Steel .....	35
Reinforced Mull Joining Components - Aluminum .....	38
<b>Stormwatch™ Protection (Coastal Product)</b> .....	<b>Page 41</b>
<b>Glass</b> .....	<b>41</b>
Glass (Impact Resistant) .....	41
<b>Frames</b> .....	<b>42</b>
Inside Casing (Impact Resistant) .....	42

Installation Kit (For Impact Resistant Units) .....	42
<b>Service Replacement .....</b>	<b>Page 43</b>
<b>Service Replacement Only Parts .....</b>	<b>43</b>
Service Replacement Only Parts .....	43
Exterior Grilles - HDN .....	43



*Unit viewed from exterior.*

## Unit Sizes

---

### 400 Series Product Label

**Note:**

Some Springline™ windows will have an identification label or glass etching containing a unique Product ID. The Product ID on Springline™ windows will be located at the bottom of the window frame or etched into the glass. See [Service Guide 9051877](#). The Product ID may be up to 14 digits long (excluding hyphens), depending on the age of the unit. Replacement parts will also get their own unique Product ID. When ordering replacement parts, providing the Product ID ensures that replacement parts match the specifications.

# 400 Series Springline™ Windows (1994 to Present)

Standard Windows

## Unit Sizes

### Unit Size Chart

**Note:**

Unit Dimension refers to overall outside-to-outside frame. Unobstructed Glass refers to visible glass dimensions. Numbers in parentheses are metric measurements. Units with an asterisk (\*) come standard with tempered glazing.

	18 3/4" (476)	32 1/4" (819)	34 1/4" (870)	36" (914)	18 3/4" (476)	32 1/4" (819)	34 1/4" (870)	36" (914)
<b>CHORD HEIGHT</b>	18 3/4" (476)	32 1/4" (819)	34 1/4" (870)	36" (914)	18 3/4" (476)	32 1/4" (819)	34 1/4" (870)	36" (914)
Radius	18 3/4" (476)	32 1/4" (819)	34 1/4" (870)	3" (914)	18 3/4" (476)	32 1/4" (819)	34 1/4" (870)	3" (914)
Unit Dimension	3'-1 1/2" (953)	5'-4 1/2" (1638)	5'-8 1/2" (1740)	6'-0" (1829)	3'-1 1/2" (953)	5'-4 1/2" (1638)	5'-8 1/2" (1740)	6'-0" (1829)
<b>Rough Opening</b>	3'-2" (965)	5'-5" (1651)	5'-9" (1753)	6'-0 1/2" (1842)	3'-2" (965)	5'-5" (1651)	5'-9" (1753)	6'-0 1/2" (1842)
Unobstructed Glass	32 3/4" (832)	59 3/4" (1518)	63 3/4" (1619)	67 1/4" (1708)	32 3/4" (832)	59 3/4" (1518)	63 3/4" (1619)	67 1/4" (1708)
<b>SHOULDER HEIGHT</b> (See notes above for determining unit and rough opening heights.)	6" (152)				4'-4 13/16" (1341)			
	SE3106	SE5406	SE5806	SE6006	SE3145	SE5445	SE5845	SE6045
12" (305)	SE311	SE541	SE581	SE601				
2'-0 1/8" (613)	SE312	SE542	SE582	SE602	4'-11 7/8" (1521)			
	SE313	SE543	SE583	SE603	SE315	SE545	SE585	SE605*
2'-11 15/16" (913)	SE313	SE543	SE583	SE603				
3'-4 13/16" (1037)	SE3135	SE5435	SE5835	SE6035	5'-4 13/16" (1646)			
	SE314	SE544	SE584	SE604	SE3155	SE5455	SE5855*	SE6055*
4'-0" (1219)	SE314	SE544	SE584	SE604	5'-11 7/8" (1826)			
	SE316	SE546*	SE586*	SE606*	SE316	SE546*	SE586*	SE606*

### Springline Unit Sizes

Unit viewed from exterior.

# Unit Sizes

## Unit Size Chart

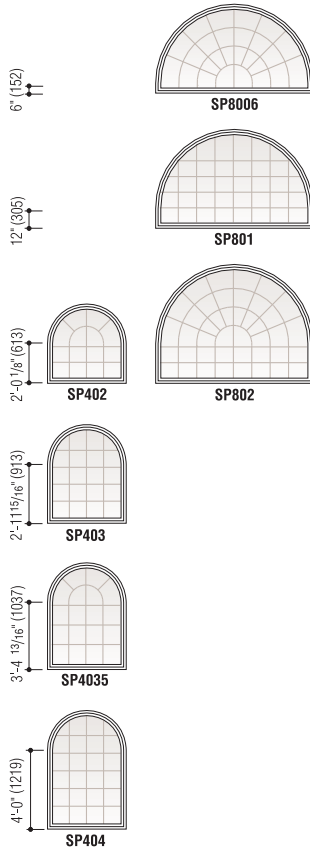
**Note:**

Unit Dimension refers to overall outside-to-outside frame. Unobstructed Glass refers to visible glass dimensions. Numbers in parentheses are metric measurements.

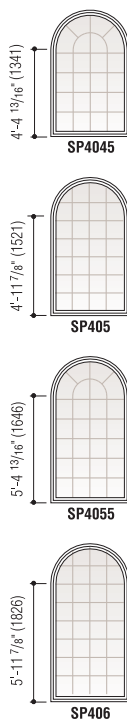
<b>CHORD HEIGHT</b>	24" (610)	48" (1219)	24" (610)
Radius	2' (610)	4' (1219)	2' (610)
Unit Dimension	4'-0" (1219)	8'-0" (2438)	4'-0" (1219)
<b>Rough Opening</b>	4'-0 1/2" (1232)	8'-0 1/2" (2451)	4'-0 1/2" (1232)
Unobstructed Glass	43 1/4" (1099)	91 1/4" (2318)	43 1/4" (1099)

<b>CHORD HEIGHT</b>	30 13/16" (783)	41 9/16" (1056)
Radius	3' (914)	4' (1219)
Unit Dimension	5'-11 1/4" (1810)	7'-11 1/8" (2416)
<b>Rough Opening</b>	5'-11 3/4" (1822)	7'-11 5/8" (2429)
Unobstructed Glass	66 1/2" (1689)	90 3/8" (2296)

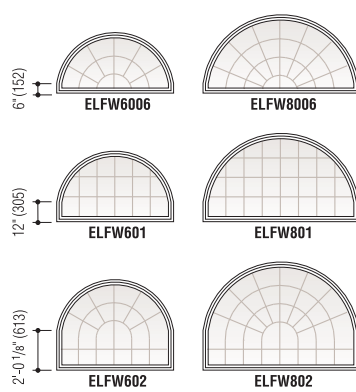
**SHOULDER HEIGHT**  
(See notes above for determining unit and rough opening heights.)



**SHOULDER HEIGHT**  
(See notes above for determining unit and rough opening heights.)



**SHOULDER HEIGHT**  
(See notes above for determining unit and rough opening heights.)



All unit sizes are available in both colonial and renaissance grille patterns.

### Springline Unit Sizes

Unit viewed from exterior.

# 400 Series Springline™ Windows (1994 to Present)

*Standard Windows*

## Product History

### Product History

- 2003** Stormwatch™ Protection (Coastal Product) with design pressure upgrades, glass options, and structural enhancements introduced for Springline units.
- 1994** Springline Windows introduced.

## Glass

### Glass Size Table

**Note:**

Width and height are measured at the highest point.

Glass Size Table		
Unit No.	Unobstructed Glass (w x h)	Actual Glass (w x h)
SE3106	32 3/4 x 20	34 3/16 x 21 7/16
SE311	32 3/4 x 26	34 3/16 x 27 7/16
SE312	32 3/4 x 38 1/8	34 3/16 x 39 7/16
SE313	32 3/4 x 49 15/16	34 3/16 x 51 3/8
SE3135	32 3/4 x 54 13/16	34 3/16 x 56 1/4
SE314	32 3/4 x 62	34 3/16 x 63 7/16
SE3145	32 3/4 x 66 13/16	34 3/16 x 68 1/4
SE315	32 3/4 x 74 3/4	34 3/16 x 75 5/16
SE3155	32 3/4 x 79 9/16	34 3/16 x 80 1/4
SE316	32 3/4 x 86 3/4	34 3/16 x 87 5/16
SE5406	59 3/4 x 33 1/2	61 3/16 x 34 15/16
SE541	59 3/4 x 39 1/2	61 3/16 x 40 15/16
SE542	59 3/4 x 51 5/8	61 3/16 x 53 1/16
SE543	59 3/4 x 63 3/4	61 3/16 x 64 7/8
SE5435	59 3/4 x 68 5/16	61 3/16 x 69 3/4
SE544	59 3/4 x 75 1/2	61 3/16 x 79 15/16
SE5445	59 3/4 x 80 5/16	61 3/16 x 81 3/4
SE545	59 3/4 x 87 1/2	61 3/16 x 88 13/16
SE5455	59 3/4 x 92 5/16	61 3/16 x 93 3/4
SE546	59 3/4 x 99 3/8	61 3/16 x 100 13/16
SE5806	63 3/4 x 35 1/2	65 3/16 x 36 15/16
SE581	63 3/4 x 41 1/2	65 3/16 x 42 15/16
SE582	63 3/4 x 53 5/8	65 3/16 x 55 1/16
SE583	63 3/4 x 65 3/4	65 3/16 x 66 7/8
SE5835	63 3/4 x 70 5/16	65 3/16 x 71 3/4
SE584	63 3/4 x 77 1/2	65 3/16 x 78 15/16
SE5845	63 3/4 x 82 5/16	65 3/16 x 83 3/4
SE585	63 3/4 x 89 3/8	65 3/16 x 90 13/16
SE5855	63 3/4 x 94 5/16	65 3/16 x 95 3/4
SE586	63 3/4 x 101 3/8	65 3/16 x 102 13/16
SE6006	67 1/4 x 37 1/4	68 11/16 x 38 11/16
SE601	67 1/4 x 43 1/4	68 11/16 x 44 11/16
SE602	67 1/4 x 55 3/8	68 11/16 x 56 13/16



# 400 Series Springline™ Windows (1994 to Present)

Standard Windows

## Glass

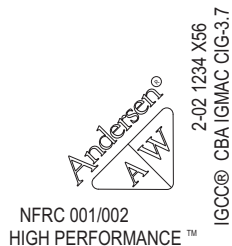
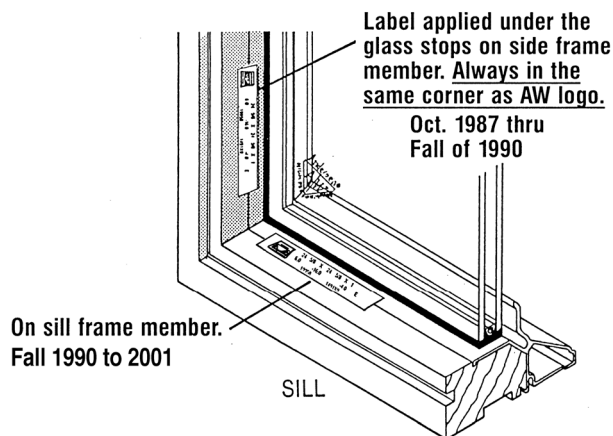
Glass Size Table		
Unit No.	Unobstructed Glass (w x h)	Actual Glass (w x h)
SE603	67 1/4 × 67 1/8	68 11/16 × 68 5/8
SE6035	67 1/4 × 72 1/16	68 11/16 × 73 1/2
SE604	67 1/4 × 79 1/4	68 11/16 × 80 11/16
SE6045	67 1/4 × 84 1/16	68 11/16 × 85 1/2
SE605	67 1/4 × 91 1/8	68 11/16 × 92 9/16
SE6055	67 1/4 × 96 1/16	68 11/16 × 97 1/2
SE606	67 1/4 × 103 1/8	68 11/16 × 104 9/16
SP402	43 1/4 × 43 3/8	44 11/16 × 44 13/16
SP403	43 1/4 × 55 1/8	44 11/16 × 56 5/8
SP4035	43 1/4 × 60 1/16	44 11/16 × 61 1/2
SP404	43 1/4 × 67 1/4	44 11/16 × 68 11/16
SP4045	43 1/4 × 72 1/16	44 11/16 × 73 1/2
SP405	43 1/4 × 79 1/8	44 11/16 × 80 9/16
SP4055	43 1/4 × 84 1/16	44 11/16 × 85 1/2
SP406	43 1/4 × 91 1/8	44 11/16 × 92 9/16
SP8006	91 1/4 × 49 1/4	92 11/16 × 50 11/16
SP801	91 1/4 × 55 1/4	92 11/16 × 56 11/16
SP802	91 1/4 × 67 3/8	92 11/16 × 68 13/16
ELFW6006	66 1/2 × 32 1/16	67 15/16 × 33 1/2
ELFW601	66 1/2 × 38 1/16	67 15/16 × 39 1/2
ELFW602	66 1/2 × 50 3/16	67 15/16 × 51 21/32
ELFW8006	90 3/8 × 42 1/4	91 13/16 × 44 1/4
ELFW801	90 3/8 × 48 1/4	91 13/16 × 50 1/4
ELFW802	90 3/8 × 60 3/8	91 13/16 × 62 13/32

## Glass

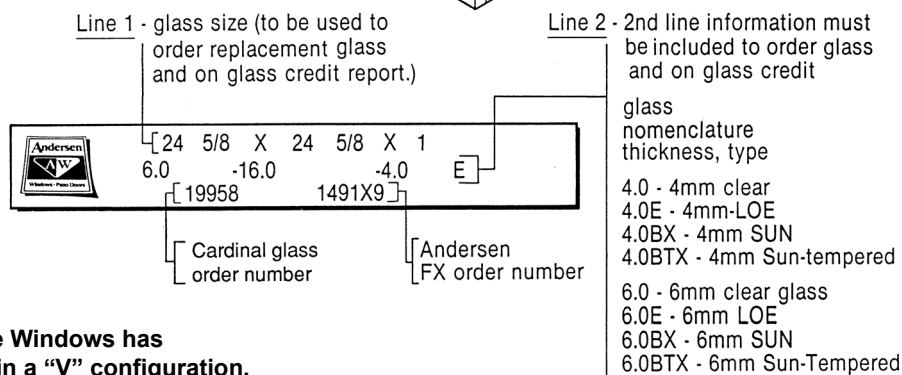
### Glass

**Note:**

Glass is available as High-Performance, High-Performance Finelight, High-Performance Sun 3, High-Performance Sun II, High-Performance Tempered, High-Performance Sun 3 Tempered, and High-Performance Sun II Tempered. Use the glass label on the unit (see illustration below) to order by description.



**2002 to Present:**  
 The glass logo on Springline Windows has similar identifying numbers in a “V” configuration.



**Springline Glass Dimension Label**

### Glass - High-Performance

**Note:**

Available by description.

### Glass - High-Performance Sun 3

**Note:**

Available by description.

### Glass - High-Performance Sun II

**Note:**

Available by description.

# 400 Series Springline™ Windows (1994 to Present)

Standard Windows

## Glass

### Glass - High-Performance Finelight

**Note:**  
Available by description.

### Glass - High-Performance Tempered

**Note:**  
Available by description.

### Glass - High-Performance Sun 3 Tempered

**Note:**  
Available by description.

### Glass - High-Performance Sun II Tempered

**Note:**  
Available by description.

### Glass - High-Performance Tempered Finelight

**Note:**  
Available by description.

## Glass Parts

### Setting Block

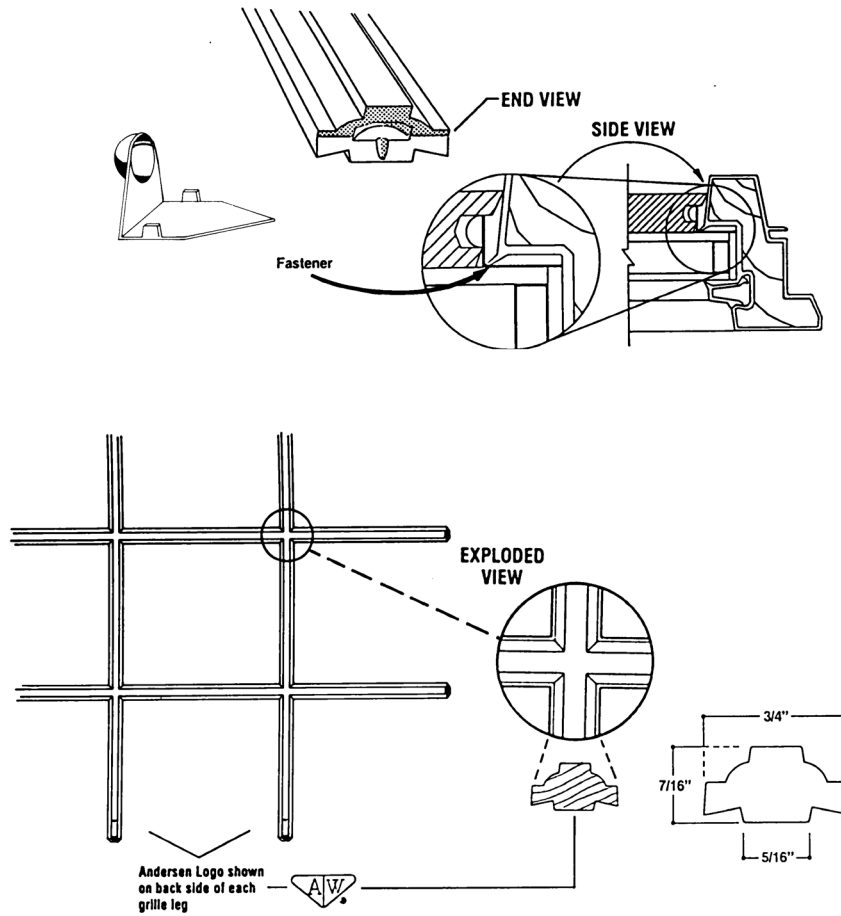
**Note:**  
Available by description as glass widths can vary.  
Use the glass label on the unit (see illustration on [page 10](#)) to order.  
Standard size setting blocks are shown below.

	Dimensions	Order No.
	1 x 1/8 x 6	2250002
<b>Setting Block - Head and Side</b>		
	7/8 x 1/8 x 6	2250109
<b>Setting Block - Spacer</b>		
	1 x 1/4 x 6	2250106
<b>Lateral Spacer - Arch and Quarter Round</b>		
<b>Note:</b> Order by the foot. Install between glass and aluminum outer frame.		Order No. 2230012

## Grilles

### Interior Grilles - Colonial

**Note:**  
Grilles include fasteners. See [size chart](#) for select grille patterns.



Springline Interior Grilles - 7/8" Wood

# 400 Series Springline™ Windows (1994 to Present)

Standard Windows

## Grilles

Interior Grille - Colonial / 7/8" Wood / Natural Wood Interior									
Unit No.	Dimensions (w x h)	Exterior							
		White	Terra- tone	Sandtone	Forest Green	Canvas	Dark Bronze	Black	
		Maple Interior							
<b>SE31</b>	<b>SE3106</b>	32 <sup>13</sup> / <sub>16</sub> × 19 <sup>1</sup> / <sub>8</sub>	2262728	2262614	2262501	2267176	9053711	9073116	9128295
	<b>SE311</b>	32 × 25 <sup>1</sup> / <sub>8</sub>	2262729	2262615	2262502	2267177	9053712	9073117	9128296
	<b>SE312</b>	32 <sup>13</sup> / <sub>16</sub> × 37 <sup>15</sup> / <sub>64</sub>	2262730	2262616	2262503	2267178	9053713	9073118	9128297
	<b>SE313</b>	32 <sup>13</sup> / <sub>16</sub> × 49 <sup>3</sup> / <sub>64</sub>	2262731	2262617	2262504	2267179	9053714	9073119	9128298
	<b>SE3135</b>	32 <sup>13</sup> / <sub>16</sub> × 53 <sup>59</sup> / <sub>64</sub>	2262732	2262618	2262505	2267180	9053715	9073120	9128299
	<b>SE314</b>	32 <sup>13</sup> / <sub>16</sub> × 61 <sup>1</sup> / <sub>8</sub>	2262733	2262619	2262506	2267181	9053716	9073121	9128300
	<b>SE3145</b>	32 <sup>13</sup> / <sub>16</sub> × 65 <sup>59</sup> / <sub>64</sub>	2262734	2262620	2262507	2267182	9053717	9073122	9128301
	<b>SE315</b>	32 <sup>13</sup> / <sub>16</sub> × 72 <sup>63</sup> / <sub>64</sub>	2262735	2262621	2262508	2267183	9053718	9073123	9128302
	<b>SE3155</b>	32 <sup>13</sup> / <sub>16</sub> × 77 <sup>59</sup> / <sub>64</sub>	2262736	2262622	2262509	2267184	9053719	9073124	9128303
<b>SE316</b>	32 <sup>13</sup> / <sub>16</sub> × 84 <sup>63</sup> / <sub>64</sub>	2262737	2262623	2262510	2267185	9053720	9073125	9128304	
<b>SE54</b>	<b>SE5406</b>	59 <sup>7</sup> / <sub>8</sub> × 33 <sup>5</sup> / <sub>8</sub>	2262738	2262624	2262511	2267186	9053721	9073126	9128305
	<b>SE541</b>	59 × 39 <sup>5</sup> / <sub>8</sub>	2262739	2262625	2262512	2267187	9053722	9073127	9128306
	<b>SE542</b>	59 <sup>7</sup> / <sub>8</sub> × 51 <sup>3</sup> / <sub>4</sub>	2262740	2262626	2262513	2267188	9053723	9073128	9128307
	<b>SE543</b>	59 <sup>7</sup> / <sub>8</sub> × 63 <sup>9</sup> / <sub>16</sub>	2262741	2262627	2262514	2267189	9053724	9073129	9128308
	<b>SE5435</b>	59 <sup>7</sup> / <sub>8</sub> × 68 <sup>7</sup> / <sub>16</sub>	2262742	2262628	2262515	2267190	9053725	9073130	9128309
	<b>SE544</b>	59 <sup>7</sup> / <sub>8</sub> × 75 <sup>5</sup> / <sub>8</sub>	2262743	2262629	2262516	2267191	9053726	9073131	9128310
	<b>SE5445</b>	59 <sup>7</sup> / <sub>8</sub> × 80 <sup>7</sup> / <sub>16</sub>	2262744	2262630	2262517	2267192	9053727	9073132	9128311
	<b>SE545</b>	59 <sup>7</sup> / <sub>8</sub> × 87 <sup>1</sup> / <sub>2</sub>	2262745	2262631	2262518	2267193	9053728	9073133	9128312
	<b>SE5455</b>	59 <sup>7</sup> / <sub>8</sub> × 92 <sup>7</sup> / <sub>16</sub>	2262746	2262632	2262519	2267194	9053729	9073134	9128313
<b>SE546</b>	59 <sup>7</sup> / <sub>8</sub> × 99 <sup>1</sup> / <sub>2</sub>	2262747	2262633	2262520	2267195	9053730	9073135	9128314	
<b>SE58</b>	<b>SE5806</b>	63 <sup>13</sup> / <sub>16</sub> × 35 <sup>9</sup> / <sub>16</sub>	2262748	2262634	2262521	2267196	9053731	9073136	9128315
	<b>SE581</b>	63 × 41 <sup>9</sup> / <sub>16</sub>	2262749	2262635	2262522	2267197	9053732	9073137	9128316
	<b>SE582</b>	63 <sup>13</sup> / <sub>16</sub> × 53 <sup>11</sup> / <sub>16</sub>	2262750	2262636	2262523	2267198	9053733	9073138	9128317
	<b>SE583</b>	63 <sup>13</sup> / <sub>16</sub> × 65 <sup>1</sup> / <sub>2</sub>	2262751	2262637	2262524	2267199	9053734	9073139	9128318
	<b>SE5835</b>	63 <sup>13</sup> / <sub>16</sub> × 70 <sup>3</sup> / <sub>8</sub>	2262752	2262638	2262525	2267201	9053735	9073140	9128319
	<b>SE584</b>	63 <sup>13</sup> / <sub>16</sub> × 77 <sup>9</sup> / <sub>16</sub>	2262753	2262639	2262526	2267202	9053736	9073141	9128320
	<b>SE5845</b>	63 <sup>13</sup> / <sub>16</sub> × 82 <sup>3</sup> / <sub>8</sub>	2262754	2262640	2262527	2267203	9053737	9073142	9128321
	<b>SE585</b>	63 <sup>13</sup> / <sub>16</sub> × 89 <sup>7</sup> / <sub>16</sub>	2262755	2262641	2262528	2267204	9053738	9073143	9128322
	<b>SE5855</b>	63 <sup>13</sup> / <sub>16</sub> × 94 <sup>3</sup> / <sub>8</sub>	2262756	2262642	2262529	2267205	9053739	9073144	9128323
<b>SE586</b>	63 <sup>13</sup> / <sub>16</sub> × 101 <sup>7</sup> / <sub>16</sub>	2262757	2262643	2262530	2267206	9053740	9073145	9128324	

## Grilles

Interior Grille - Colonial / 7/8" Wood / Natural Wood Interior									
Unit No.	Dimensions (w x h)	Exterior							Maple Interior
		White	Terra-tone	Sandtone	Forest Green	Canvas	Dark Bronze	Black	
<b>SE60</b>	<b>SE6006</b>	67 <sup>5</sup> / <sub>16</sub> × 37 <sup>5</sup> / <sub>16</sub>	2262758	2262644	2262531	2267207	9053741	9073146	9128325
	<b>SE601</b>	66 <sup>1</sup> / <sub>2</sub> × 43 <sup>5</sup> / <sub>16</sub>	2262759	2262645	2262532	2267208	9053742	9073147	9128326
	<b>SE602</b>	67 <sup>5</sup> / <sub>16</sub> × 55 <sup>5</sup> / <sub>16</sub>	2262760	2262646	2262533	2267209	9053743	9073148	9128327
	<b>SE603</b>	67 <sup>5</sup> / <sub>16</sub> × 67 <sup>1</sup> / <sub>4</sub>	2262761	2262647	2262534	2267210	9053744	9073149	9128328
	<b>SE6035</b>	67 <sup>5</sup> / <sub>16</sub> × 72 <sup>1</sup> / <sub>8</sub>	2262762	2262648	2262535	2267211	9053745	9073150	9128329
	<b>SE604</b>	67 <sup>5</sup> / <sub>16</sub> × 79 <sup>5</sup> / <sub>16</sub>	2262763	2262649	2262536	2267212	9053746	9073151	9128330
	<b>SE6045</b>	67 <sup>5</sup> / <sub>16</sub> × 84 <sup>1</sup> / <sub>8</sub>	2262764	2262650	2262537	2267213	9053747	9073152	9128331
	<b>SE605</b>	67 <sup>5</sup> / <sub>16</sub> × 91 <sup>5</sup> / <sub>16</sub>	2262765	2262651	2262538	2267214	9053748	9073153	9128332
	<b>SE6055</b>	67 <sup>5</sup> / <sub>16</sub> × 96 <sup>1</sup> / <sub>8</sub>	2262766	2262652	2262785	2267215	9053770	9073175	9128354
<b>SE606</b>	67 <sup>5</sup> / <sub>16</sub> × 103 <sup>3</sup> / <sub>16</sub>	2262767	2262653	2262539	2267216	9053749	9073154	9128333	
<b>SP40</b>	<b>SP402</b>	43 <sup>5</sup> / <sub>16</sub> × 43 <sup>7</sup> / <sub>16</sub>	2262768	2262654	2262540	2267217	9053750	9073155	9128334
	<b>SP403</b>	43 <sup>5</sup> / <sub>16</sub> × 55 <sup>1</sup> / <sub>4</sub>	2262769	2262655	2262541	2267218	9053751	9073156	9128335
	<b>SP4035</b>	43 <sup>5</sup> / <sub>16</sub> × 60 <sup>1</sup> / <sub>8</sub>	2262770	2262656	2262542	2267219	9053752	9073157	9128336
	<b>SP404</b>	43 <sup>5</sup> / <sub>16</sub> × 67 <sup>5</sup> / <sub>16</sub>	2262771	2262657	2262543	2267220	9053753	9073158	9128337
	<b>SP4045</b>	43 <sup>5</sup> / <sub>16</sub> × 72 <sup>1</sup> / <sub>8</sub>	2262772	2262658	2262544	2267221	9053754	9073159	9128338
	<b>SP405</b>	43 <sup>5</sup> / <sub>16</sub> × 79 <sup>3</sup> / <sub>16</sub>	2262773	2262659	2262545	2267222	9053755	9073160	9128339
	<b>SP4055</b>	43 <sup>5</sup> / <sub>16</sub> × 84 <sup>1</sup> / <sub>8</sub>	2262774	2262660	2262546	2267223	9053756	9073161	9128340
<b>SP406</b>	43 <sup>5</sup> / <sub>16</sub> × 91 <sup>3</sup> / <sub>16</sub>	2262775	2262661	2262547	2267224	9053757	9073162	9128341	
<b>SP80</b>	<b>SP8006</b>	91 <sup>5</sup> / <sub>16</sub> × 49 <sup>9</sup> / <sub>64</sub>	2262776	2262662	2262548	2267225	9053758	9073163	9128342
	<b>SP801</b>	90 <sup>1</sup> / <sub>2</sub> × 55 <sup>9</sup> / <sub>64</sub>	2262777	2262663	2262549	2267226	9053759	9073164	9128343
	<b>SP802</b>	91 <sup>5</sup> / <sub>16</sub> × 67 <sup>17</sup> / <sub>64</sub>	2262778	2262664	2262550	2267227	9053760	9073165	9128344
<b>ELFW 60</b>	<b>ELFW6006</b>	66 <sup>9</sup> / <sub>16</sub> × 31 <sup>1</sup> / <sub>8</sub>	2262779	2262665	2262551	2267228	9053761	9073166	9128345
	<b>ELFW601</b>	66 <sup>9</sup> / <sub>16</sub> × 38 <sup>1</sup> / <sub>8</sub>	2262780	2262666	2262552	2267229	9053762	9073167	9128346
	<b>ELFW602</b>	66 <sup>9</sup> / <sub>16</sub> × 50 <sup>1</sup> / <sub>4</sub>	2262781	2262667	2262553	2267230	9053763	9073168	9128347
<b>ELFW 80</b>	<b>ELFW8006</b>	90 <sup>7</sup> / <sub>16</sub> × 42 <sup>43</sup> / <sub>64</sub>	2262782	2262668	2262554	2267231	9053764	9073172	9128351
	<b>ELFW801</b>	90 <sup>7</sup> / <sub>16</sub> × 48 <sup>43</sup> / <sub>64</sub>	2262783	2262669	2262555	2267232	9053765	9073173	9128352
	<b>ELFW802</b>	90 <sup>7</sup> / <sub>16</sub> × 60 <sup>51</sup> / <sub>64</sub>	2262784	2262670	2262556	2267233	9053766	9073174	9128353

# 400 Series Springline™ Windows (1994 to Present)

Standard Windows

## Grilles

Interior Grille - Colonial / 7/8" Wood / Prefinished Interior										
Unit No.	Dimensions (w x h)	Exterior								
		White	Terra-tone	Sand-tone	Forest Green	Canvas	Dark Bronze	Black		
		Interior								
		White	Terra-tone	Sand-tone	Forest Green	Canvas	Dark Bronze	Black		
<b>SE31</b>	<b>SE3106</b>	32 13/16 × 19 1/8	2262671	2262557	2262443	OBD	9053657	9073062	9128241	
	<b>SE311</b>	32 × 25 1/8	2262672	2262558	2262444	OBD	9053658	9073063	9128242	
	<b>SE312</b>	32 13/16 × 37 15/64	2262673	2262559	2262445	OBD	9053659	9073064	9128243	
	<b>SE313</b>	32 13/16 × 49 3/64	2262674	2262560	2262446	OBD	9053660	9073065	9128244	
	<b>SE3135</b>	32 13/16 × 53 59/64	2262675	2262561	2262447	OBD	9053661	9073066	9128245	
	<b>SE314</b>	32 13/16 × 61 1/8	2262676	2262562	2262448	OBD	9053662	9073067	9128246	
	<b>SE3145</b>	32 13/16 × 65 59/64	2262677	2262563	2262449	OBD	9053663	9073068	9128247	
	<b>SE315</b>	32 13/16 × 72 63/64	2262678	2262564	2262450	OBD	9053664	9073069	9128248	
	<b>SE3155</b>	32 13/16 × 77 59/64	2262679	2262565	2262451	OBD	9053665	9073070	9128249	
	<b>SE316</b>	32 13/16 × 84 63/64	2262680	2262566	2262452	OBD	9053666	9073071	9128250	
<b>SE54</b>	<b>SE5406</b>	59 7/8 × 33 5/8	2262681	2262567	2262453	OBD	9053667	9073072	9128251	
	<b>SE541</b>	59 × 39 5/8	2262682	2262568	2262454	OBD	9053668	9073073	9128252	
	<b>SE542</b>	59 7/8 × 51 3/4	2262683	2262569	2262455	OBD	9053669	9073074	9128253	
	<b>SE543</b>	59 7/8 × 63 9/16	2262684	2262570	2262456	OBD	9053670	9073075	9128254	
	<b>SE5435</b>	59 7/8 × 68 7/16	2262685	2262571	2262457	OBD	9053671	9073076	9128255	
	<b>SE544</b>	59 7/8 × 75 5/8	2262686	2262572	2262458	OBD	9053672	9073077	9128256	
	<b>SE5445</b>	59 7/8 × 80 7/16	2262687	2262573	2262459	OBD	9053673	9073078	9128257	
	<b>SE545</b>	59 7/8 × 87 1/2	2262688	2262574	2262460	OBD	9053674	9073079	9128258	
	<b>SE5455</b>	59 7/8 × 92 7/16	2262689	2262575	2262461	OBD	9053675	9073080	9128259	
	<b>SE546</b>	59 7/8 × 99 1/2	2262690	2262576	2262462	OBD	9053676	9073081	9128260	
<b>SE58</b>	<b>SE5806</b>	63 13/16 × 35 9/16	2262691	2262577	2262463	OBD	9053677	9073082	9128261	
	<b>SE581</b>	63 × 41 9/16	2262692	2262578	2262464	OBD	9053678	9073083	9128262	
	<b>SE582</b>	63 13/16 × 53 11/16	2262693	2262579	2262465	OBD	9053679	9073084	9128263	
	<b>SE583</b>	63 13/16 × 65 1/2	2262694	2262580	2262466	OBD	9053680	9073085	9128264	
	<b>SE5835</b>	63 13/16 × 70 3/8	2262695	2262581	2262467	OBD	9053681	9073086	9128265	
	<b>SE584</b>	63 13/16 × 77 9/16	2262696	2262582	2262468	OBD	9053682	9073087	9128266	
	<b>SE5845</b>	63 13/16 × 82 3/8	2262697	2262583	2262469	OBD	9053683	9073088	9128267	
	<b>SE585</b>	63 13/16 × 89 7/16	2262698	2262584	2262470	OBD	9053684	9073089	9128268	
	<b>SE5855</b>	63 13/16 × 94 3/8	2262699	2262585	2262471	OBD	9053685	9073090	9128269	
	<b>SE586</b>	63 13/16 × 101 7/16	2262791	2262586	2262472	OBD	9053686	9073091	9128270	

## Grilles

Interior Grille - Colonial / 7/8" Wood / Prefinished Interior										
Unit No.		Dimensions (w x h)		Exterior						
				White	Terra-tone	Sand-tone	Forest Green	Canvas	Dark Bronze	Black
				Interior						
		White	Terra-tone	Sand-tone	Forest Green	Canvas	Dark Bronze	Black		
<b>SE60</b>	<b>SE6006</b>	67 <sup>5</sup> / <sub>16</sub> × 37 <sup>5</sup> / <sub>16</sub>	2262701	2262587	2262473	OBD	9053687	9073092	9128271	
	<b>SE601</b>	66 <sup>1</sup> / <sub>2</sub> × 43 <sup>5</sup> / <sub>16</sub>	2262702	2262588	2262474	OBD	9053688	9073093	9128272	
	<b>SE602</b>	67 <sup>5</sup> / <sub>16</sub> × 55 <sup>5</sup> / <sub>16</sub>	2262703	2262589	2262475	OBD	9053689	9073094	9128273	
	<b>SE603</b>	67 <sup>5</sup> / <sub>16</sub> × 67 <sup>1</sup> / <sub>4</sub>	2262704	2262590	2262476	OBD	9053690	9073095	9128274	
	<b>SE6035</b>	67 <sup>5</sup> / <sub>16</sub> × 72 <sup>1</sup> / <sub>8</sub>	2262705	2262591	2262477	OBD	9053691	9073096	9128275	
	<b>SE604</b>	67 <sup>5</sup> / <sub>16</sub> × 79 <sup>5</sup> / <sub>16</sub>	2262706	2262592	2262478	OBD	9053692	9073097	9128276	
	<b>SE6045</b>	67 <sup>5</sup> / <sub>16</sub> × 84 <sup>1</sup> / <sub>8</sub>	2262707	2262593	2262479	OBD	9053693	9073098	9128277	
	<b>SE605</b>	67 <sup>5</sup> / <sub>16</sub> × 91 <sup>5</sup> / <sub>16</sub>	2262708	2262594	2262480	OBD	9053694	9073099	9128278	
	<b>SE6055</b>	67 <sup>5</sup> / <sub>16</sub> × 96 <sup>1</sup> / <sub>8</sub>	2262709	2262595	2262481	OBD	9053695	9073100	9128279	
	<b>SE606</b>	67 <sup>5</sup> / <sub>16</sub> × 103 <sup>3</sup> / <sub>16</sub>	2262710	2262596	2262482	OBD	9053696	9073101	9128280	
<b>SP40</b>	<b>SP402</b>	43 <sup>5</sup> / <sub>16</sub> × 43 <sup>7</sup> / <sub>16</sub>	2262711	2262597	2262483	OBD	9053697	9073102	9128281	
	<b>SP403</b>	43 <sup>5</sup> / <sub>16</sub> × 55 <sup>1</sup> / <sub>4</sub>	2262712	2262598	2262484	OBD	9053698	9073103	9128282	
	<b>SP4035</b>	43 <sup>5</sup> / <sub>16</sub> × 60 <sup>1</sup> / <sub>8</sub>	2262713	2262599	2262485	OBD	9053699	9073104	9128283	
	<b>SP404</b>	43 <sup>5</sup> / <sub>16</sub> × 67 <sup>5</sup> / <sub>16</sub>	2262714	2262790	2262486	OBD	9053700	9073105	9128284	
	<b>SP4045</b>	43 <sup>5</sup> / <sub>16</sub> × 72 <sup>1</sup> / <sub>8</sub>	2262715	2262601	2262487	OBD	9053701	9073106	9128285	
	<b>SP405</b>	43 <sup>5</sup> / <sub>16</sub> × 79 <sup>3</sup> / <sub>16</sub>	2262716	2262602	2262488	OBD	9053702	9073107	9128286	
	<b>SP4055</b>	43 <sup>5</sup> / <sub>16</sub> × 84 <sup>1</sup> / <sub>8</sub>	2262717	2262603	2262489	OBD	9053703	9073108	9128287	
	<b>SP406</b>	43 <sup>5</sup> / <sub>16</sub> × 91 <sup>3</sup> / <sub>16</sub>	2262718	2262604	2262490	OBD	9053704	9073109	9128288	
<b>SP80</b>	<b>SP8006</b>	91 <sup>5</sup> / <sub>16</sub> × 49 <sup>9</sup> / <sub>64</sub>	2262719	2262605	2262491	OBD	9053705	9073110	9128289	
	<b>SP801</b>	90 <sup>1</sup> / <sub>2</sub> × 55 <sup>9</sup> / <sub>64</sub>	2262720	2262606	2262492	OBD	9053706	9073111	9128290	
	<b>SP802</b>	91 <sup>5</sup> / <sub>16</sub> × 67 <sup>17</sup> / <sub>64</sub>	2262721	2262607	2262493	OBD	9053707	9073112	9128291	
<b>ELFW 60</b>	<b>ELFW6006</b>	66 <sup>9</sup> / <sub>16</sub> × 31 <sup>1</sup> / <sub>8</sub>	2262722	2262608	2262494	OBD	9053708	9073113	9128292	
	<b>ELFW601</b>	66 <sup>9</sup> / <sub>16</sub> × 38 <sup>1</sup> / <sub>8</sub>	2262723	2262609	2262495	OBD	9053709	9073114	9128293	
	<b>ELFW602</b>	66 <sup>9</sup> / <sub>16</sub> × 50 <sup>1</sup> / <sub>4</sub>	2262724	2262610	2262496	OBD	9053710	9073115	9128294	
<b>ELFW 80</b>	<b>ELFW8006</b>	90 <sup>7</sup> / <sub>16</sub> × 42 <sup>43</sup> / <sub>64</sub>	2262725	2262611	2262497	OBD	9053767	9073169	9128348	
	<b>ELFW801</b>	90 <sup>7</sup> / <sub>16</sub> × 48 <sup>43</sup> / <sub>64</sub>	2262726	2262612	2262498	OBD	9053768	9073170	9128349	
	<b>ELFW802</b>	90 <sup>7</sup> / <sub>16</sub> × 60 <sup>51</sup> / <sub>64</sub>	2262727	2262613	2262789	OBD	9053769	9073171	9128350	



# 400 Series Springline™ Windows (1994 to Present)

Standard Windows

## Grilles

### Interior Grilles - Renaissance

**Note:**

Grilles include fasteners. See [size chart](#) for select grille patterns.

Interior Grille - Renaissance / 7/8" Wood / Natural Wood Interior									
Unit No.	Dimensions (w x h)	Exterior							
		White	Terra-tone	Sand-tone	Forest Green	Canvas	Dark Bronze	Black	
		Maple Interior							
<b>SE31</b>	<b>SE3106</b>	32 <sup>13</sup> / <sub>16</sub> × 17 <sup>15</sup> / <sub>64</sub>	2262386	2262272	2262158	2267120	9053424	9072834	9128013
	<b>SE311</b>	32 <sup>13</sup> / <sub>16</sub> × 23 <sup>55</sup> / <sub>64</sub>	2262387	2262273	2262159	2267121	9053425	9072835	9128014
	<b>SE312</b>	32 <sup>13</sup> / <sub>16</sub> × 35 <sup>37</sup> / <sub>64</sub>	2262388	2262274	2262160	2267122	9053426	9072836	9128015
	<b>SE313</b>	32 <sup>13</sup> / <sub>16</sub> × 47 <sup>7</sup> / <sub>16</sub>	2262389	2262275	2262161	2267123	9053427	9072837	9128016
	<b>SE3135</b>	32 <sup>13</sup> / <sub>16</sub> × 52 <sup>19</sup> / <sub>64</sub>	2262390	2262276	2262162	2267124	9053428	9072838	9128017
	<b>SE314</b>	32 <sup>13</sup> / <sub>16</sub> × 59 <sup>31</sup> / <sub>64</sub>	2262391	2262277	2262163	2267125	9053429	9072839	9128018
	<b>SE3145</b>	32 <sup>13</sup> / <sub>16</sub> × 64 <sup>21</sup> / <sub>64</sub>	2262392	2262278	2262164	2267126	9053430	9072840	9128019
	<b>SE315</b>	32 <sup>13</sup> / <sub>16</sub> × 71 <sup>3</sup> / <sub>8</sub>	2262393	2262279	2262165	2267127	9053431	9072841	9128020
	<b>SE3155</b>	32 <sup>13</sup> / <sub>16</sub> × 76 <sup>21</sup> / <sub>64</sub>	2262394	2262280	2262166	2267128	9053432	9072842	9128021
	<b>SE316</b>	32 <sup>13</sup> / <sub>16</sub> × 83 <sup>1</sup> / <sub>32</sub>	2262395	2262281	2262167	2267129	9053433	9072843	9128022
<b>SE54</b>	<b>SE5406</b>	59 <sup>13</sup> / <sub>16</sub> × 33 <sup>9</sup> / <sub>16</sub>	2262396	2262282	2262168	2267130	9053434	9072844	9128023
	<b>SE541</b>	59 × 39 <sup>9</sup> / <sub>16</sub>	2262397	2262283	2262169	2267131	9053435	9072845	9128024
	<b>SE542</b>	59 <sup>13</sup> / <sub>16</sub> × 51 <sup>11</sup> / <sub>16</sub>	2262398	2262284	2262170	2267132	9053436	9072846	9128025
	<b>SE543</b>	59 <sup>13</sup> / <sub>16</sub> × 63 <sup>31</sup> / <sub>64</sub>	2262399	2262285	2262171	2267133	9053437	9072847	9128026
	<b>SE5435</b>	59 <sup>13</sup> / <sub>16</sub> × 68 <sup>3</sup> / <sub>8</sub>	2262788	2262286	2262172	2267234	9053438	9072848	9128027
	<b>SE544</b>	59 <sup>13</sup> / <sub>16</sub> × 75 <sup>9</sup> / <sub>16</sub>	2262401	2262287	2262173	2267134	9053439	9072849	9128028
	<b>SE5445</b>	59 <sup>13</sup> / <sub>16</sub> × 80 <sup>3</sup> / <sub>8</sub>	2262402	2262288	2262174	2267135	9053440	9072850	9128029
	<b>SE545</b>	59 <sup>13</sup> / <sub>16</sub> × 87 <sup>7</sup> / <sub>16</sub>	2262403	2262289	2262175	2267136	9053441	9072851	9128030
	<b>SE5455</b>	59 <sup>13</sup> / <sub>16</sub> × 92 <sup>3</sup> / <sub>8</sub>	2262404	2262290	2262176	2267137	9053442	9072852	9128031
	<b>SE546</b>	59 <sup>13</sup> / <sub>16</sub> × 99 <sup>7</sup> / <sub>16</sub>	2262405	2262291	2262177	2267138	9053443	9072853	9128032

### Grilles

Interior Grille - Renaissance / 7/8" Wood / Natural Wood Interior									
Unit No.	Dimensions (w x h)	Exterior							
		White	Terra-tone	Sand-tone	Forest Green	Canvas	Dark Bronze	Black	
		Maple Interior							
<b>SE58</b>	<b>SE5806</b>	63 13/16 × 35 9/16	2262406	2262292	2262178	2267139	9053444	9072854	9128033
	<b>SE581</b>	63 × 41 9/16	2262407	2262293	2262179	2267140	9053445	9072855	9128034
	<b>SE582</b>	63 13/16 × 53 11/16	2262408	2262294	2262180	2267141	9053446	9072856	9128035
	<b>SE583</b>	63 13/16 × 65 1/2	2262409	2262295	2262181	2267142	9053447	9072587	9128036
	<b>SE5835</b>	63 13/16 × 70 3/8	2262410	2262296	2262182	2267143	9053448	9072858	9128037
	<b>SE584</b>	63 13/16 × 77 9/16	2262411	2262297	2262183	2267144	9053449	9072859	9128038
	<b>SE5845</b>	63 13/16 × 82 3/8	2262412	2262298	2262184	2267145	9053450	9072860	9128039
	<b>SE585</b>	63 13/16 × 89 7/16	2262413	2262299	2262185	2267146	9053451	9072861	9128040
	<b>SE5855</b>	63 13/16 × 94 3/8	2262414	2262787	2262186	2267147	9053452	9072862	9128041
	<b>SE586</b>	63 13/16 × 101 7/16	2262415	2262301	2262187	2267148	9053453	9072863	9128042
<b>SE60</b>	<b>SE6006</b>	67 5/16 × 37 5/16	2262416	2262302	2262188	2267149	9053454	9072864	9128043
	<b>SE601</b>	66 × 43 5/16	2262417	2262303	2262189	2267150	9053455	9072865	9128044
	<b>SE602</b>	67 5/16 × 55 7/16	2262418	2262304	2262190	2267151	9053456	9072866	9128045
	<b>SE603</b>	67 5/16 × 67 15/64	2262419	2262305	2262191	2267152	9053457	9072867	9128046
	<b>SE6035</b>	67 5/16 × 72 1/8	2262420	2262306	2262192	2267153	9053458	9072868	9128047
	<b>SE604</b>	67 5/16 × 79 5/16	2262421	2262307	2262193	2267154	9053459	9072869	9128048
	<b>SE6045</b>	67 5/16 × 84 1/8	2262422	2262308	2262194	2267155	9053460	9072870	9128049
	<b>SE605</b>	67 5/16 × 91 3/16	2262423	2262309	2262195	2267156	9053461	9072871	9128050
	<b>SE6055</b>	67 5/16 × 96 1/8	2262424	2262310	2262196	2267157	9053462	9072872	9128051
	<b>SE606</b>	67 5/16 × 103 3/16	2262425	2262311	2262197	2267158	9053463	9072873	9128052
<b>SP40</b>	<b>SP402</b>	43 5/16 × 43 7/16	2262426	2262312	2262198	2267159	9053464	9072874	9128053
	<b>SP403</b>	43 5/16 × 55 1/4	2262427	2262313	2262199	2267160	9053465	9072875	9128054
	<b>SP4035</b>	43 5/16 × 60 1/8	2262428	2262314	2262786	2267161	By description	By description	By description
	<b>SP404</b>	43 5/16 × 67 5/16	2262429	2262315	2262201	2267162	9053466	9072876	9128055
	<b>SP4045</b>	43 5/16 × 72 1/8	2262430	2262316	2262202	2267163	9053467	9072877	9128056
	<b>SP405</b>	43 5/16 × 79 3/16	2262431	2262317	2262203	2267164	9053468	9072878	9128057
	<b>SP4055</b>	43 5/16 × 84 1/8	2262432	2262318	2262204	2267165	9053469	9072879	9128058
	<b>SP406</b>	43 5/16 × 91 3/16	2262433	2262319	2262205	2267166	9053470	9072880	9128059
<b>SP80</b>	<b>SP8006</b>	91 5/16 × 49 1/8	2262434	2262320	2262206	2267167	9053471	9072881	9128060
	<b>SP801</b>	90 1/2 × 55 1/8	2262435	2262321	2262207	2267168	9053649	9073054	9128233
	<b>SP802</b>	91 5/16 × 67 17/64	2262436	2262322	2262208	2267169	9053650	9073055	9128234

# 400 Series Springline™ Windows (1994 to Present)

Standard Windows

## Grilles

Interior Grille - Renaissance / 7/8" Wood / Natural Wood Interior									
Unit No.		Dimensions (w x h)		Exterior					
				White	Terra-tone	Sand-tone	Forest Green	Canvas	Dark Bronze
				Maple Interior					
<b>ELFW 60</b>	<b>ELFW6006</b>	66 <sup>9</sup> / <sub>16</sub> × 32 <sup>1</sup> / <sub>8</sub>	2262437	2262323	2262209	2267170	9053651	9073056	9128235
	<b>ELFW601</b>	66 <sup>9</sup> / <sub>16</sub> × 38 <sup>3</sup> / <sub>16</sub>	2262438	2262324	2262210	2267171	9053652	9073057	9128236
	<b>ELFW602</b>	66 <sup>9</sup> / <sub>16</sub> × 50 <sup>5</sup> / <sub>16</sub>	2262439	2262325	2262211	2267172	9053653	9073058	9128237
<b>ELFW 80</b>	<b>ELFW8006</b>	90 <sup>7</sup> / <sub>16</sub> × 342 <sup>43</sup> / <sub>64</sub>	2262440	2262326	2262212	2267173	9053654	9073059	9128238
	<b>ELFW801</b>	90 <sup>7</sup> / <sub>16</sub> × 48 <sup>43</sup> / <sub>64</sub>	2262441	2262327	2262213	2267174	9053655	9073060	9128239
	<b>ELFW802</b>	90 <sup>7</sup> / <sub>16</sub> × 60 <sup>51</sup> / <sub>64</sub>	2262442	2262328	2262214	2267175	9053656	9073061	9128240

## Grilles

Interior Grille - Renaissance / 7/8" Wood / Prefinished Interior										
Unit No.		Dimensions (w x h)		Exterior						
				White	Terra-tone	Sand-tone	Forest Green	Canvas	Dark Bronze	Black
				Interior						
				White	Terra-tone	Sand-tone	Forest Green	Canvas	Dark Bronze	Black
SE31	SE3106	32 13/16 x 17 15/64		2262329	2262215	2262101	OBD	9053376	9072786	9127965
	SE311	32 13/16 x 23 55/64		2262330	2262216	2262102	OBD	9053377	9072787	9127966
	SE312	32 13/16 x 35 37/64		2262331	2262217	2262103	OBD	9053378	9072788	9127967
	SE313	32 13/16 x 47 7/16		2262332	2262218	2262104	OBD	9053379	9072789	9127968
	SE3135	32 13/16 x 52 19/64		2262333	2262219	2262105	OBD	9053380	9072790	9127969
	SE314	32 13/16 x 59 31/64		2262334	2262220	2262106	OBD	9053381	9072791	9127970
	SE3145	32 13/16 x 64 21/64		2262335	2262221	2262107	OBD	9053382	9072792	9127971
	SE315	32 13/16 x 71 3/8		2262336	2262222	2262108	OBD	9053383	9072793	9127972
	SE3155	32 13/16 x 76 21/64		2262337	2262223	2262109	OBD	9053384	9072794	9127973
	SE316	32 13/16 x 83 1/32		2262338	2262224	2262110	OBD	9053385	9072795	9127974
SE54	SE5406	59 13/16 x 33 9/16		2262339	2262225	2262111	OBD	9053386	9072796	9127975
	SE541	59 x 39 9/16		2262340	2262226	2262112	OBD	9053387	9072797	9127976
	SE542	59 13/16 x 51 11/16		2262341	2262227	2262113	OBD	9053388	9072798	9127977
	SE543	59 13/16 x 63 31/64		2262342	2262228	2262114	OBD	9053389	9072799	9127978
	SE5435	59 13/16 x 68 3/8		2262343	2262229	2262115	OBD	9053390	9072800	9127979
	SE544	59 13/16 x 75 9/16		2262344	2262230	2262116	OBD	9053391	9072801	9127980
	SE5445	59 13/16 x 80 3/8		2262345	2262231	2262117	OBD	9053392	9072802	9127981
	SE545	59 13/16 x 87 7/16		2262346	2262232	2262118	OBD	9053393	9072803	9127982
	SE5455	59 13/16 x 92 3/8		2262347	2262233	2262119	OBD	9053394	9072804	9127983
	SE546	59 13/16 x 99 7/16		2262348	2262234	2262120	OBD	9053395	9072805	9127984
SE58	SE5806	63 13/16 x 35 9/16		2262349	2262235	2262121	OBD	9053396	9072806	9127985
	SE581	63 x 41 9/16		2262350	2262236	2262122	OBD	9053397	9072807	9127986
	SE582	63 13/16 x 53 11/16		2262351	2262237	2262123	OBD	9053398	9072808	9127987
	SE583	63 13/16 x 65 1/2		2262352	2262238	2262124	OBD	9053399	9072809	9127988
	SE5835	63 13/16 x 70 3/8		2262353	2262239	2262125	OBD	9053400	9072810	9127989
	SE584	63 13/16 x 77 9/16		2262354	2262240	2262126	OBD	9053401	9072811	9127990
	SE5845	63 13/16 x 82 3/8		2262355	2262241	2262127	OBD	9053402	9072812	9127991
	SE585	63 13/16 x 89 7/16		2262356	2262242	2262128	OBD	9053403	9072813	9127992
	SE5855	63 13/16 x 94 3/8		2262357	2262243	2262129	OBD	9053404	9072814	9127993
SE586	63 13/16 x 101 7/16		2262358	2262244	2262130	OBD	9053405	9072815	9127994	

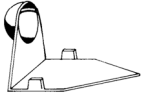
# 400 Series Springline™ Windows (1994 to Present)

Standard Windows

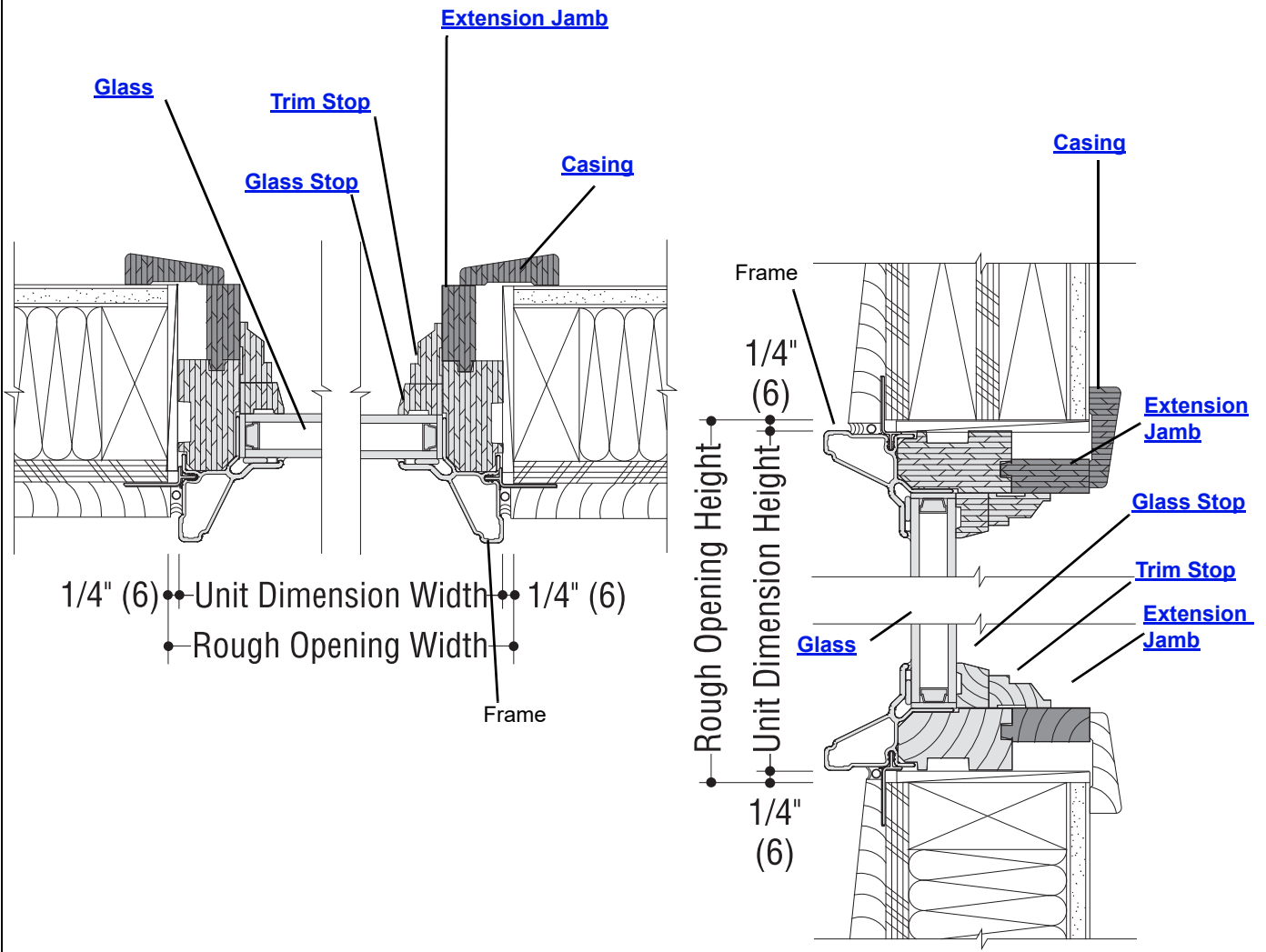
## Grilles

Interior Grille - Renaissance / 7/8" Wood / Prefinished Interior										
Unit No.		Dimensions (w x h)		Exterior						
				White	Terra-tone	Sand-tone	Forest Green	Canvas	Dark Bronze	Black
				Interior						
				White	Terra-tone	Sand-tone	Forest Green	Canvas	Dark Bronze	Black
<b>SE60</b>	<b>SE6006</b>	67 <sup>5</sup> / <sub>16</sub> × 37 <sup>5</sup> / <sub>16</sub>		2262359	2262245	2262131	OBD	9053406	9072816	9127995
	<b>SE601</b>	66 × 43 <sup>5</sup> / <sub>16</sub>		2262360	2262246	2262132	OBD	9053407	9072817	9127996
	<b>SE602</b>	67 <sup>5</sup> / <sub>16</sub> × 55 <sup>7</sup> / <sub>16</sub>		2262361	2262247	2262133	OBD	9053408	9072818	9127997
	<b>SE603</b>	67 <sup>5</sup> / <sub>16</sub> × 67 <sup>15</sup> / <sub>64</sub>		2262362	2262248	2262134	OBD	9053409	9072819	9127998
	<b>SE6035</b>	67 <sup>5</sup> / <sub>16</sub> × 72 <sup>1</sup> / <sub>8</sub>		2262363	2262249	2262135	OBD	9053410	9072820	9127999
	<b>SE604</b>	67 <sup>5</sup> / <sub>16</sub> × 79 <sup>5</sup> / <sub>16</sub>		2262364	2262250	2262136	OBD	9053411	9072821	9128000
	<b>SE6045</b>	67 <sup>5</sup> / <sub>16</sub> × 84 <sup>1</sup> / <sub>8</sub>		2262365	2262251	2262137	OBD	9053412	9072822	9128001
	<b>SE605</b>	67 <sup>5</sup> / <sub>16</sub> × 91 <sup>3</sup> / <sub>16</sub>		2262366	2262252	2262138	OBD	9053413	9072823	9128002
	<b>SE6055</b>	67 <sup>5</sup> / <sub>16</sub> × 96 <sup>1</sup> / <sub>8</sub>		2262367	2262253	2262139	OBD	9053414	9072824	9128003
	<b>SE606</b>	67 <sup>5</sup> / <sub>16</sub> × 103 <sup>3</sup> / <sub>16</sub>		2262368	2262254	2262140	OBD	9053415	9072825	9128004
<b>SP40</b>	<b>SP402</b>	43 <sup>5</sup> / <sub>16</sub> × 43 <sup>7</sup> / <sub>16</sub>		2262369	2262255	2262141	OBD	9053416	9072826	9128005
	<b>SP403</b>	43 <sup>5</sup> / <sub>16</sub> × 55 <sup>1</sup> / <sub>4</sub>		2262370	2262256	2262142	OBD	9053417	9072827	9128006
	<b>SP4035</b>	43 <sup>5</sup> / <sub>16</sub> × 60 <sup>1</sup> / <sub>8</sub>		2262371	2262257	2262143	OBD	9053418	9072828	9128007
	<b>SP404</b>	43 <sup>5</sup> / <sub>16</sub> × 67 <sup>5</sup> / <sub>16</sub>		2262372	2262258	2262144	OBD	9053419	9072829	9128008
	<b>SP4045</b>	43 <sup>5</sup> / <sub>16</sub> × 72 <sup>1</sup> / <sub>8</sub>		2262373	2262259	2262145	OBD	9053420	9072830	9128009
	<b>SP405</b>	43 <sup>5</sup> / <sub>16</sub> × 79 <sup>3</sup> / <sub>16</sub>		2262374	2262260	2262146	OBD	9053421	9072831	9128010
	<b>SP4055</b>	43 <sup>5</sup> / <sub>16</sub> × 84 <sup>1</sup> / <sub>8</sub>		2262375	2262261	2262147	OBD	9053422	9072832	9128011
	<b>SP406</b>	43 <sup>5</sup> / <sub>16</sub> × 91 <sup>3</sup> / <sub>16</sub>		2262376	2262262	2262148	OBD	9053423	9072833	9128012
<b>SP80</b>	<b>SP8006</b>	91 <sup>5</sup> / <sub>16</sub> × 49 <sup>1</sup> / <sub>8</sub>		2262377	2262263	2262149	OBD	9053640	9073045	9128224
	<b>SP801</b>	90 <sup>1</sup> / <sub>2</sub> × 55 <sup>1</sup> / <sub>8</sub>		2262378	2262264	2262150	OBD	9053641	9073046	9128225
	<b>SP802</b>	91 <sup>5</sup> / <sub>16</sub> × 67 <sup>17</sup> / <sub>64</sub>		2262379	2262265	2262151	OBD	9053642	9073047	9128226
<b>ELFW 60</b>	<b>ELFW6006</b>	66 <sup>9</sup> / <sub>16</sub> × 32 <sup>1</sup> / <sub>8</sub>		2262380	2262266	2262152	OBD	9053643	9073048	9128227
	<b>ELFW601</b>	66 <sup>9</sup> / <sub>16</sub> × 38 <sup>3</sup> / <sub>16</sub>		2262381	2262267	2262153	OBD	9053644	9073049	9128228
	<b>ELFW602</b>	66 <sup>9</sup> / <sub>16</sub> × 50 <sup>5</sup> / <sub>16</sub>		2262382	2262268	2262154	OBD	9053645	9073050	9128229
<b>ELFW 80</b>	<b>ELFW8006</b>	90 <sup>7</sup> / <sub>16</sub> × 32 <sup>43</sup> / <sub>64</sub>		2262383	2262269	2262155	OBD	9053646	9073051	9128230
	<b>ELFW801</b>	90 <sup>7</sup> / <sub>16</sub> × 48 <sup>43</sup> / <sub>64</sub>		2262384	2262270	2262156	OBD	9053647	9073052	9128231
	<b>ELFW802</b>	90 <sup>7</sup> / <sub>16</sub> × 60 <sup>51</sup> / <sub>64</sub>		2262385	2262271	2262157	OBD	9053648	9073053	9128232

## Grilles

Interior Grille Parts		
Interior Grille Fastener - Barbed		
	<p><b>Note:</b> For standard pattern and non-standard pattern "P" units. Also used on products with a wood stop next to glass.</p>	<p><b>Order No.</b> 1974314</p>

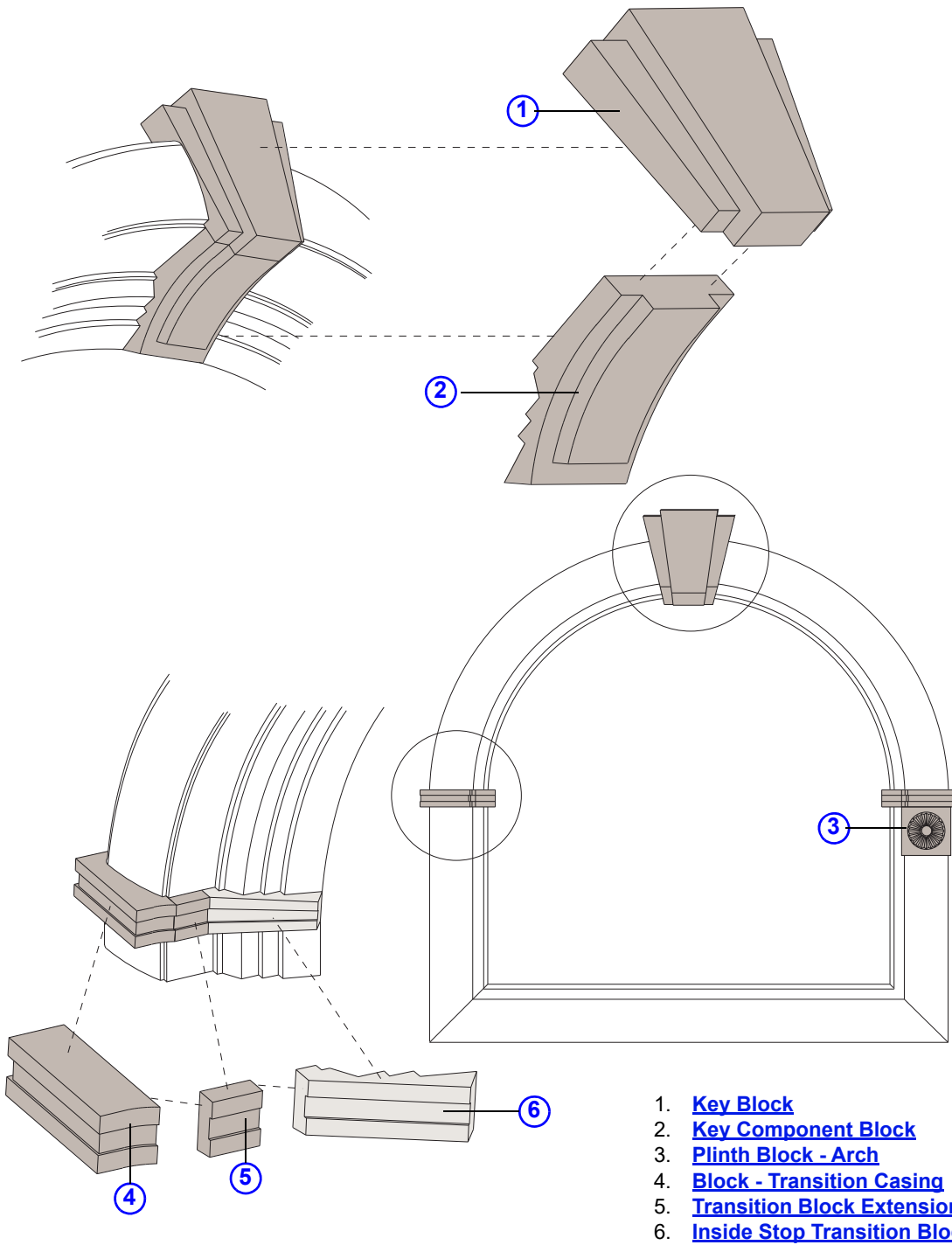
Frame Assembly



Springline Frame Assembly

**Frames**

**Trim Options and Applications**





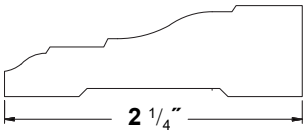
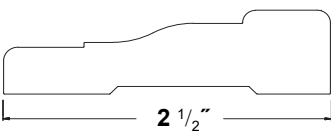
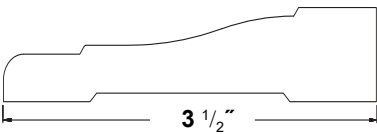
# 400 Series Springline™ Windows (1994 to Present)

Standard Windows

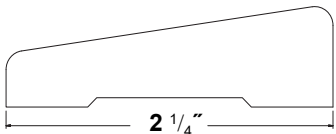
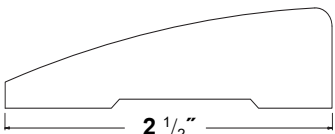
## Frames

### Inside Casing

#### Inside Casing - Arch / Colonial with Narrow Transition Blocks

Unit No.	Radius	2 1/4			2 1/2			3 1/2		
										
		WM366			WM351			WM444		
		Pine	Maple	Oak	Pine	Maple	Oak	Pine	Maple	Oak
SE31	18 3/4	9074285	2230360	2230362	9074286	2230364	N/A	9074287	2230366	2230367
SE54	32 1/4	9074288	2230368	2230370	9074289	2230372	N/A	9074290	2230374	2230375
SE58	34 1/4	9074291	2230376	2230378	9074292	2230380	N/A	9074293	2230382	2230383
SE60/ EL60	36	9074294	2230384	2230386	9074295	2230388	N/A	9074296	2230390	2230391
SP40	24	9074297	2230392	2230394	9074298	2230396	N/A	9074299	2230398	2230399
SP80/ EL80	48	9074282	2230320	2230322	9074283	2230324	N/A	9074284	2230326	2230327

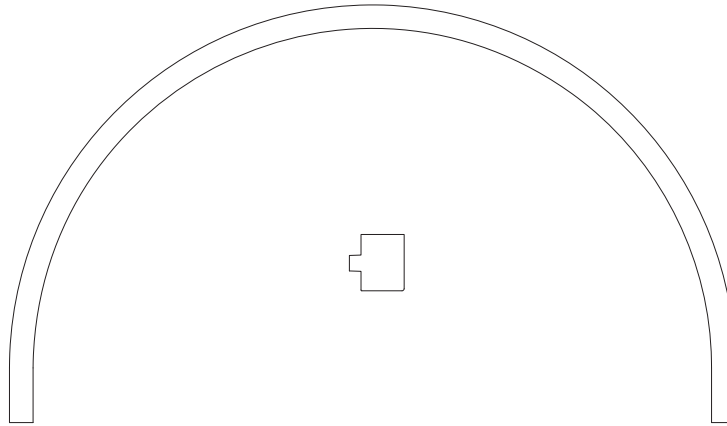
#### Inside Casing - Arch / Ranch with Narrow Transition Blocks

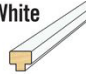
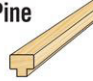
Unit No.	Radius	2 1/4			2 1/2		
							
		WM324			WM315		
		Pine	Maple	Oak	Pine	Maple	Oak
SE31	18 3/4	9074302	2230361	2230363	9074303	2230365	N/A
SE54	32 1/4	9074304	2230369	2230371	9074305	2230373	N/A
SE58	34 1/4	9074306	2230377	2230379	9074307	2230381	N/A
SE60/ EL60	36	9074308	2230385	2230387	9074309	2230389	N/A
SP40	24	9074310	2230393	2230395	9074311	2230397	N/A
SP80/ EL80	48	9074300	2230321	2230323	9074301	2230325	N/A

## Frames

### Drywall Return Bead

#### Drywall Return Bead - Curved Wide



Unit No.	White 	Pine 
SE31	9117509	9117508
SP40	9117462	9117460
SE54	9117511	9117510
SE58	9117513	9117512
SE60	9117515	9117514
SP80	9117469	9117468

# 400 Series Springline™ Windows (1994 to Present)

Standard Windows

## Frames

### Extension Jambs

**Note:**

As of April 1995, 7 9/16" width was replaced with 7 1/8". See [casing kits](#) and [transition blocks](#) for additional trim components.

### Arch Extension Jambs - Pine

Unit No.	Pieces	Radius	Also Used On	4 9/16"	5 1/4"	6 9/16"	7 1/8"
SE31	1	18 3/4	-	2234975	2234981	2234987	2234993
SE54	1	32 1/4	GT2036 GT2440	2234976	2234982	2234988	2234994
SE58	1	34 1/4	-	2234977	2234983	2234989	2234995
SE60	1	36	GT3046 FR60	2234978	2234984	2234990	2234996
SP40	1	24	FR40	2234979	2234985	2234991	2234997
SP80	2	48	GT4056 QR40	2234980	2234986	2234992	2234998

### Arch Extension Jambs - White

Unit No.	Pieces	Radius	Also Used On	4 9/16"	5 1/4"	6 9/16"	7 1/8"
SE31	1	18 3/4	-	2235129	2235135	2235141	2235147
SE54	1	32 1/4	GT2036 GT2440	2235130	2235136	2235142	2235148
SE58	1	34 1/4	-	2235131	2235137	2235143	2235149
SE60	1	36	GT3046 FR60	2235132	2235138	2235144	2235150
SP40	1	24	FR40	2235133	2235139	2235145	2235151
SP80	2	48	GT4056 QR40	2235134	2235140	2235146	2235152

### Extension Jambs - Non-Arch

Non-arch extension jambs are available in 4 9/16", 5 1/4", 6 9/16" and 7 1/8" widths. Order replacement extension jambs by description.

## Frames

### Transition Block - Extension Jamb Ref No. 5, [page 24](#)

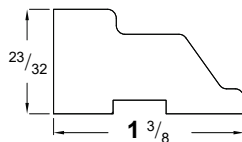
**Note:**  
For units 48" radius and larger; all extension jamb depths. Transition block may need to be cut, dependent on extension jamb depth. Fasten with 1" finishing nails.

For 4 <sup>9</sup>/<sub>16</sub>" and 5 <sup>1</sup>/<sub>4</sub>", order one block per two transitions.  
For 6 <sup>9</sup>/<sub>16</sub>" and 7 <sup>1</sup>/<sub>8</sub>", order two blocks per two transitions.

Color/Species	Order No.
Maple	2250112
White	2250122
Dark Bronze	9183823
Black	9183809

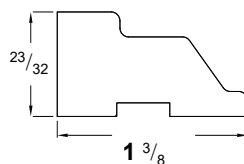
## Stops

### Trim Stop - Arch



Unit No.	Pieces	Natural	White
SE31	1	2230070	6033030
SE54	1	2230072	6033035
SE58	1	2230074	6033040
SE60	1	2230073	6033045
SP40	1	2230071	6033050
SP80	2	2230075	6033055

### Trim Stop - Lineal



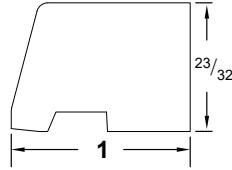
Length	Pine	White	Terratone	Sandtone	Forest Green	Canvas
22	2230087	2233055	9185203	9185189	9185259	9185245
46	2230088	2233056	9185204	9185190	9185260	9185246
70	2230089	2233057	9185205	9185191	9185261	9185247
80	2230093	9055292	9185208	9185194	9185264	9185250
94	2230090	2233058	9185206	9185192	9185262	9185248
142	2230091	2233059	9185207	9185193	9185263	9185249
Length	Prairie Grass	Cocoa Bean	Dove Gray	Red Rock	Dark Bronze	Black
22	9185287	9185315	9185273	9185301	9185231	9185217
46	9185288	9185316	9185274	9185302	9185232	9185218
70	9185289	9185317	9185275	9185303	9185233	9185219
80	9185292	9185320	9185278	9185306	9185236	9185222
94	9185290	9185318	9185276	9185304	9185234	9185220
142	9185291	9185319	9185277	9185305	9185235	9185221

# 400 Series Springline™ Windows (1994 to Present)

Standard Windows

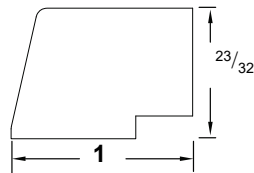
## Frames

### Glass Stop - Arch



Unit No.	Pieces	Natural	White
SE31	1	2230076	6032030
SE54	1	2230078	6032035
SE58	1	2230080	6032040
SE60	1	2230079	6032045
SP40	1	2230077	6032050
SP80	2	2230081	6032055

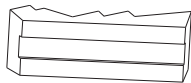
### Glass Stop - Lineal



Length	Natural	White	Terratone	Sandtone	Forest Green	Canvas
22	2230082	2233050	9185055	9185041	9185111	9185097
46	2230083	2233051	9185056	9185042	9185112	9185098
70	2230084	2233052	9185057	9185043	9185113	9185099
80	2230092	9055293	9185060	9185046	9185116	9185102
94	2230085	2233053	9185058	9185044	9185114	9185100
142	2230086	2233054	9185059	9185045	9185115	9185101
Length	Prairie Grass	Cocoa Bean	Dove Gray	Red Rock	Dark Bronze	Black
22	9185139	9185167	9185125	9185153	9185083	9185069
46	9185140	9185168	9185126	9185154	9185084	9185070
70	9185141	9185169	9185127	9185155	9185085	9185071
80	9185144	9185172	9185130	9185158	9185088	9185074
94	9185142	9185170	9185128	9185156	9185086	9185072
142	9185143	9185171	9185129	9185157	9185087	9185073

### Inside Stop Transition Block Ref No. 6, [page 24](#)

**Note:**  
All units



Color/Species	Order No.
Maple	2250110
White	9130039
Dark Bronze	9183836
Black	9183822

## Frames

Block - Component Key					
<b>Note:</b> Key block comes standard with SP80 and EL80 units only.					
<b>Key Component Block</b> Ref No. 2 <a href="#">page 24</a>					
	<b>Unit No.</b>	<b>Maple</b>	<b>Oak</b>	<b>Pine</b>	<b>White</b>
	All Units	2231110	2231112	9074413	9130038
Dowels - Key Component					
	<b>Unit No.</b>	<b>Order No.</b>			
	All Units	8231901			
<b>Key Block</b> Ref No. 1 <a href="#">page 24</a>					
	<b>Unit No.</b>	<b>Maple</b>	<b>Oak</b>	<b>Pine</b>	
	All Units	2231114	2231115	9074414	

Trim Parts																
<b>Block - Transition Casing / Narrow</b> Ref No. 4 <a href="#">page 24</a>																
	<table border="1"> <thead> <tr> <th></th> <th>Dim A</th> <th>Dim B</th> </tr> </thead> <tbody> <tr> <td>2 1/4</td> <td rowspan="2">3.062</td> <td rowspan="2">3.187</td> </tr> <tr> <td>2 1/2</td> </tr> <tr> <td>3 1/2</td> <td>4.187</td> <td>4.312</td> </tr> </tbody> </table>		Dim A	Dim B	2 1/4	3.062	3.187	2 1/2	3 1/2	4.187	4.312	<b>Unit No.</b>	<b>2 1/4" and 2 1/2"</b>		<b>3 1/2"</b>	
			Dim A	Dim B												
		2 1/4	3.062	3.187												
		2 1/2														
3 1/2	4.187	4.312														
	All Units	2231116	2231117	2231118	2231119											

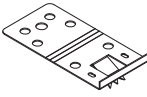
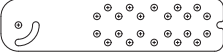
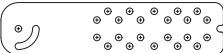
Plinth Block Ref No. 3, <a href="#">page 24</a>						
	<b>2 7/8"</b>			<b>3 7/8"</b>		
<b>Product Line</b>	<b>Pine</b>	<b>Maple</b>	<b>Oak</b>	<b>Pine</b>	<b>Maple</b>	<b>Oak</b>
<b>Multiple</b>	9074427	1387108	1387104	9074428	1387112	1387110

# 400 Series Springline™ Windows (1994 to Present)

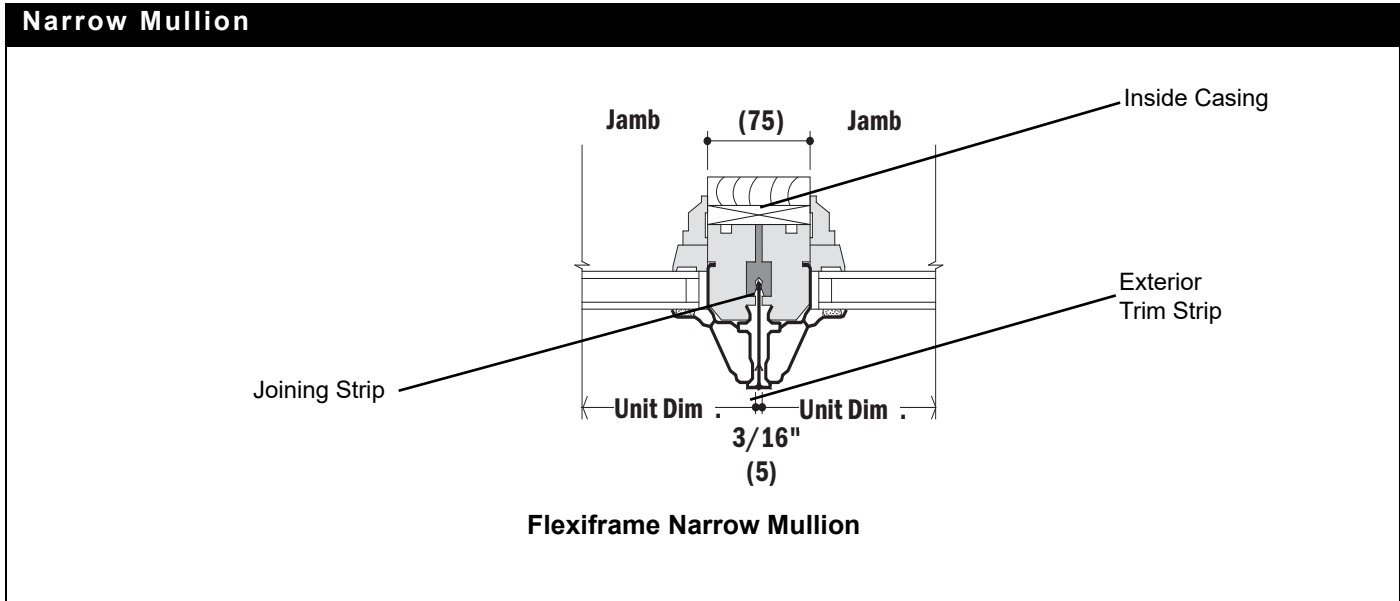
Standard Windows

## Frames

Installation Flanges		
<b>Nailing Flange - Arch</b>		
	<b>Length</b>	<b>Order No.</b>
	156	8240605
<b>Nailing Flange - Installation</b>		
	<b>Length</b>	<b>Order No.</b>
	74	8240606
	150	8240607

Installation Kits for Standard (Non-IR) Units					
<b>Jamb Clip Kit - 3"</b>					
	<b>Kit includes:</b> (18) jamb clips (36) 8-18 x 1-1/4 PH FL 316 SS PASS TYP AB screws 1 instruction sheet	<b>Order No.</b>			
		1399980			
<b>Jamb Clip Kit - 6" (for standard units with pre-applied extension jambs)</b>					
	<b>Kit includes:</b> Jamb clips and screws for standard (non-IR) Springline windows.  <b>Note:</b> For use with pre-applied extension jambs. Made of 304 annealed stainless steel, making it compatible with ACQ treated lumber. The clips are pre-punched with holes for unit installation in wall thicknesses from 4-9/16" to 7-1/8". Additional pre-punched holes are available to compensate for wall thickness variations.	<b>Quantity</b>	<b>Clip Dimensions</b>	<b>Order No.</b>	
		18 clips	6 3/8 x 1 1/2	9014868	
<b>Jamb Clips - 6" (for standard units with pre-applied extension jambs)</b>					
			<b>Quantity</b>	<b>Clip Dimensions</b>	<b>Order No.</b>
			500 clips	6 3/8 x 1 1/2	1376707

## Joining Components



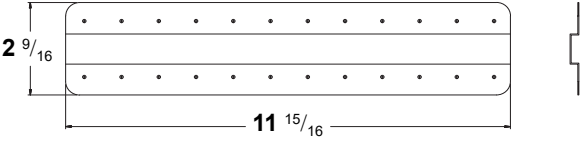
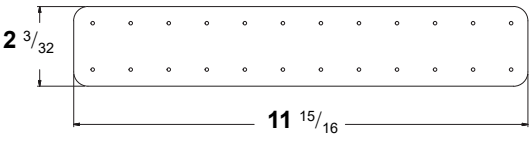
Exterior Trim Strip - Narrow Mullion				
	Length	Color		Order No.
	144"	White		1348520
		Terratone		1448520
		Sandtone		0607234
		Forest Green		0514105
		Canvas		9033596
		Dark Bronze		By description
		Black		9127235
Inside Casing - Mullion				
Length	2 3/8"	2 5/8"	2 7/8"	
96"	1349022	1386812	1507622	
144"	1349024	1386814	1507624	
Exterior Flashing - Narrow Mullion				
	Length	Color		Order No.
	6"	White		1356008
		Terratone		1456008
		Sandtone		0608402
		Forest Green		0514129
		Canvas		9033568
		Dark Bronze		9073185
	Black		9127235	



# 400 Series Springline™ Windows (1994 to Present)

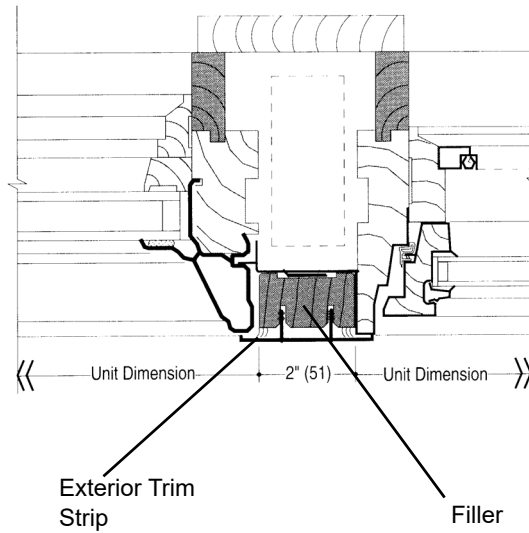
Standard Windows

## Joining Components

Gusset Plate - Head and Sill / Flexiframe		
		<b>Order No.</b>
		1359508
Gusset Plate - Arch & Springline		
		<b>Order No.</b>
		9142727
Gusset - Metal 12"		
		<b>Order No.</b>
		2250208
Gusset Plate - 18"		
		<b>Order No.</b>
		1600199

## Joining Components

### Support Mullion



**Springline Support Mullion**

#### Exterior Trim Strip - Support Mullion

	Length	White	Terra-tone	Sand-tone	Forest Green	Canvas	Dark Bronze	Black
	144"	1348620	1448620	0611034	0514106	9033617	9073213	9129244

#### Exterior Flashing - Support Mullion

	Length	White	Terra-tone	Sand-tone	Forest Green	Canvas	Dark Bronze	Black
	8"	2222040	2222042	2222044	By description	9053181	9073180	9127236
	6"	1356012	1456012	0608404	0514130	9033569	9073186	9127238

#### Filler - Support Mullion

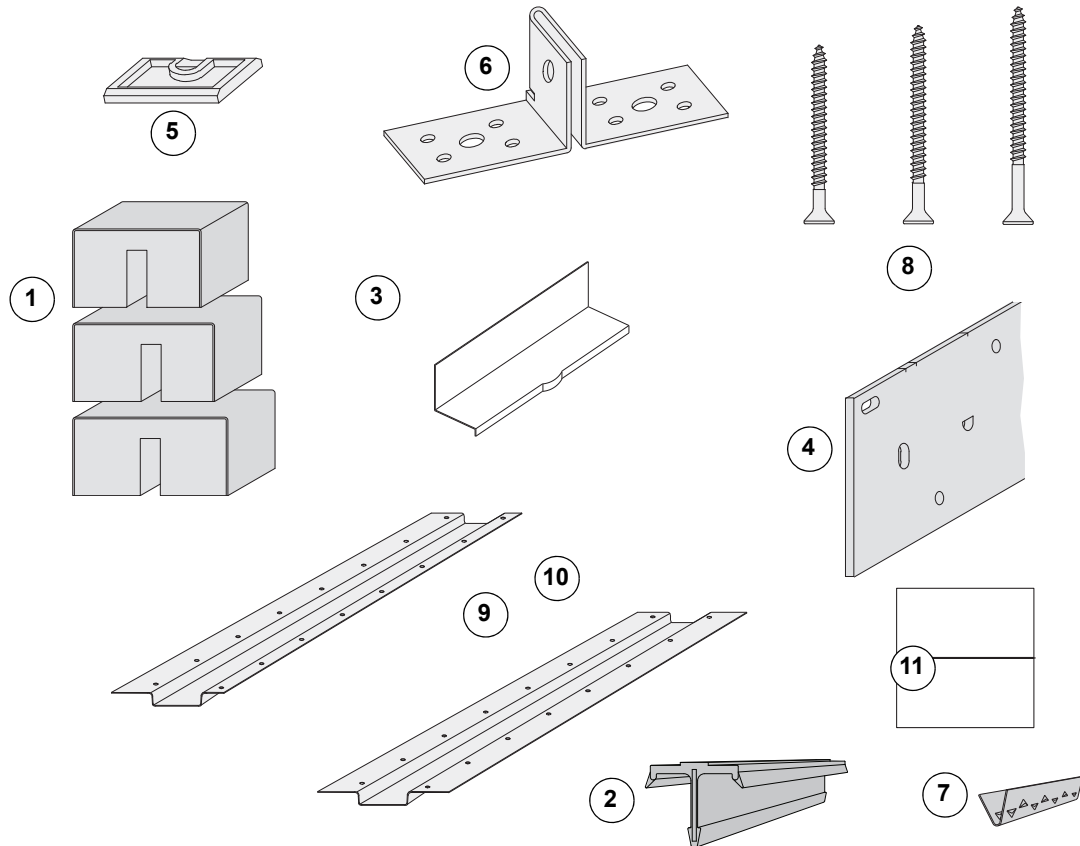
	Length	Order No.
	72"	1348812

## Joining Components

### Reinforced Mull Joining Components - Steel

**Notes:**

See [Joining Guide 0005172](#)



**Steel Reinforced Narrow Mullion  
for Casement, Awning, Specialty, and Circle Top™ Windows**

**IMPORTANCE OF PROPER SELECTION:**

It is essential that you select the proper joining members for Andersen windows. Andersen strongly recommends consultation with an experienced structural engineer, contractor, architect or your local Andersen window supplier prior to the installation of any Andersen product. Installation of Andersen products is the sole responsibility of the architect, building owner, contractor, and/or consumer, and Andersen has no responsibility in this regard. For more information about joining materials, please see the Andersen Residential Product Guide, the Andersen Commercial Catalog, or the Andersen Architectural Detail File.

## Joining Components

Inside Casing - Pine Ref. No. 1 <a href="#">page 35</a>					
	Species/Color	Length	2 3/8"	2 5/8"	2 15/16"
	Pine	96"	2340602	2340606	2340614
	White		2340617	2340619	2340621
	Dark Bronze		9183804	9183806	9183841
	Black		9183838	9183840	9183841
	Pine	144"	2340604	2340608	2340616
	White		2340618	2340620	2340622
	Dark Bronze		9183837	9183839	9183808
	Black		9183803	9183805	9183842

Exterior Trim Strip - Reinforced Mullion Ref. No. 2 <a href="#">page 35</a>								
	Length	White	Terratone	Sandtone	Forest Green	Canvas	Dark Bronze	Black
	96"	2340504	2340508	2340512	2340528	9043184	9074013	9129253
	150"	2340502	2340506	2340510	2340526	9043183	9074012	9129252

Exterior Narrow Mull Flashing Ref. No. 3 <a href="#">page 35</a>								
	Length	White	Terratone	Sandtone	Forest Green	Canvas	Dark Bronze	Black
	6"	1356008	1456008	0608402	0514129	9033568	9073185	9127237

Joining Strip - Steel Reinforced Mullion Ref. No. 4 <a href="#">page 35</a>				
			Unit Size	Order No.
			96 1/4"	2340406
			114"	2340408
			150"	2340410


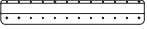
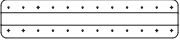
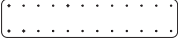

End Bracket Kit - Steel Reinforced Mullion / PSC/A/CT/FF Ref. No. 5 to 8 <a href="#">page 35</a>		
	Includes: Instruction Sheet, Trim Strip Clips, Screw Packages RMA1, RMB1, RMC1, Location Blocks and 2 - End brackets.	Order No.
		2340414

End Bracket - Steel Reinforced Mullion Ref. No. 6 <a href="#">page 35</a>	
	Order No.
	2340424

# 400 Series Springline™ Windows (1994 to Present)

Standard Windows

## Joining Components

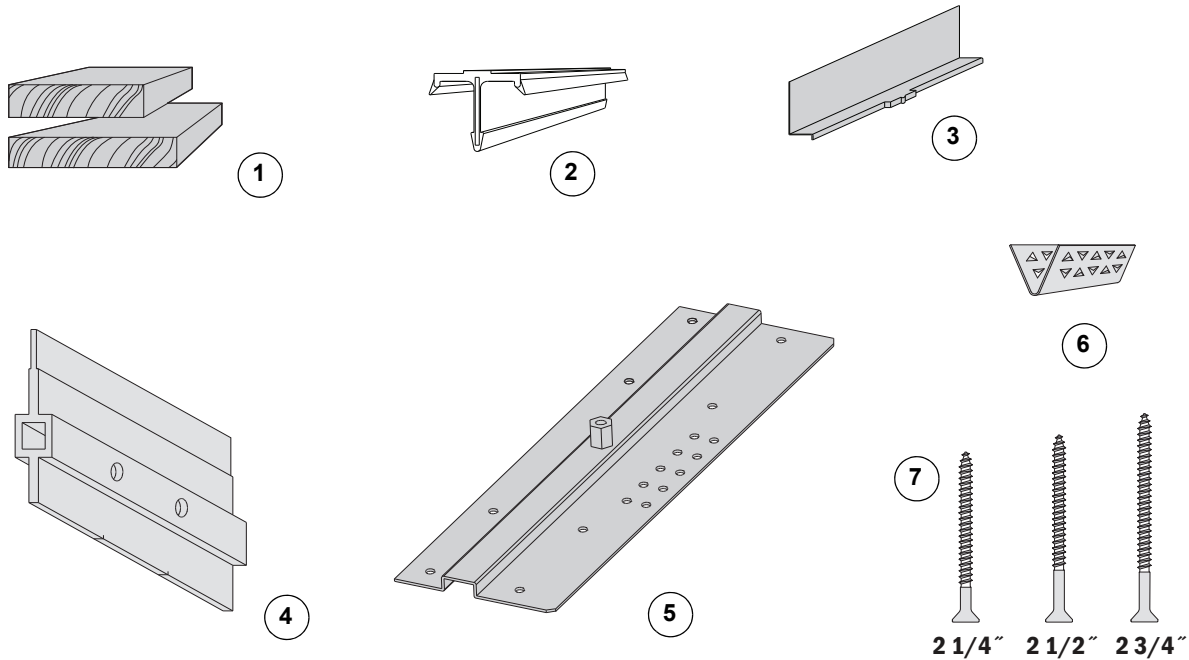
Clip - Trim Strip / Reinforced Mullion Ref. No. 7 <a href="#">page 35</a>		
		<b>Order No.</b> 2340423
Gusset Plate Kit - Steel Reinforced Mullion / ET Ref. No. 11, 5, and 7 <a href="#">page 35</a>		
	<b>Includes:</b> Gussets, Location locks, and Screw packages: RMA-2, RMB-2, RMC-2.	<b>Order No.</b> 2340416
Gusset Plate - Metal / PS/FF Ref. No. 9 <a href="#">page 35</a>		
		<b>Order No.</b> 2250208
Gusset Plate - Head and Sill Ref. No. 10 <a href="#">page 35</a>		
		<b>Order No.</b> 1359508
Gusset Plate - CTC/CTN/ET/DH		
		<b>Order No.</b> 1359510
Flange Gasket - Mull Ref. No 11 <a href="#">page 35</a>		
	<b>Note:</b> Used over flange.	<b>Order No.</b> 9122508

## Joining Components

### Reinforced Mull Joining Components - Aluminum

**Notes:**

See [Joining Guide 0005165](#)



**Aluminum Reinforced Narrow Mullion  
for Casement, Awning, Specialty, and Circle Top™ Windows**

#### Inside Casing - Aluminum Reinforced Mullion Ref. No. 1

	Length	2 3/8"	2 5/8"	2 7/8"
		Casement to Casement	Casement to Flexiframe	Flexiframe to Flexiframe
	96 in	1349022	1386812	1507622
	144 in	1349024	1386814	1507624

#### Exterior Trim Strip - Reinforced Mullion Ref. No. 2

Unit Size	White	Terratone	Sandtone	Forest Green	Canvas	Dark Bronze	Black
96"	2340504	2340508	2340512	2340528	9043184	9074013	9129252
150"	2340502	2340506	2340510	2340526	9043183	9074012	9129253

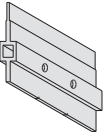
#### Exterior Flashing Ref. No. 3

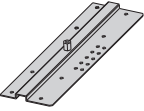
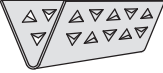
Length	White	Terratone	Sandtone	Forest Green	Canvas	Dark Bronze	Black
6"	1356008	1456008	0608402	0514129	9033568	9073185	9127237

# 400 Series Springline™ Windows (1994 to Present)

Standard Windows

## Joining Components

Joining Strip - Reinforced Mullion Ref. No. 4			
		Unit Size	Order No.
		72 <sup>3</sup> / <sub>32</sub> "	2340402
		92"	2340404

End Plate Kit - Reinforced Mullion / PSC/A/CT/FF Ref. No. 5, 6, and 7 <a href="#">page 38</a>			
	<b>Includes:</b> End plates, trim strip clip, and screws		Order No.
			2340412
End Plate - Reinforced Mullion Ref. No. 5 <a href="#">page 38</a>			
			Order No.
			2340422
Trim Clip - Reinforced Mullion Ref. No. 6 <a href="#">page 38</a>			
			Order No.
			2340423

## Notes

---



# 400 Series Springline™ Windows (1994 to Present)

## Stormwatch™ Protection (Coastal Product)

Andersen® products with Stormwatch protection are designed for use in coastal areas. They feature design pressure upgrades, glass options, and structural enhancements.

### Glass

#### Glass (Impact Resistant)

##### Glass - High-Performance (Impact Resistant)

**Note:**

Available by description.

##### Glass - High-Performance Sun 3 (Impact Resistant)

**Note:**

Available by description.

##### Glass - High-Performance Sun II (Impact Resistant)

**Note:**

Available by description.

##### Glass - High-Performance Tempered (Impact Resistant)

**Note:**

Available by description.

##### Glass - High-Performance Sun 3 Tempered (Impact Resistant)

**Note:**

Available by description.

##### Glass - High-Performance Sun II Tempered (Impact Resistant)

**Note:**

Available by description.

##### Glass - Clear Laminated Monolithic

**Note:**

Available by description.

##### Glass - Gray Laminated Monolithic

**Note:**

Available by description.

## Frames

### Inside Casing (Impact Resistant)

#### Inside Casing - Arch / Colonial with Wide Transition Blocks (Impact Resistant)

Unit No.	Radius	2 1/4"		2 1/2"		3 1/2"	
		Maple	Oak	Maple	Oak	Maple	Oak
SE31	18 3/4	2232009	2232011	2232013	N/A	2232015	2232016
SE54	32 1/4	2232017	2232019	2232021	N/A	2232023	2232024
SE58	34 1/4	2232025	2232027	2232029	N/A	2232031	2232032
SE60/EL60	36	2232033	2232035	2232037	N/A	2232039	2232040
SP40	24	2232041	2232043	2232045	N/A	2232047	2232048
SP80/EL80	48	2232001	2232003	2232005	N/A	2232007	2232008
SC31	18 3/4	2232049	2232058	2232052	N/A	2232055	2232061
SC54	32 1/4	2232050	2232059	2232053	N/A	2232056	2232062
SC60	34 1/4	2232051	2232060	2232054	N/A	2232057	2232063

#### Inside Casing - Arch / Ranch with Wide Transition Blocks (Impact Resistant)

Unit No.	Radius	2 1/4"		2 1/2"	
		Maple	Oak	Maple	Oak
SE31	18 3/4	2232010	2232012	2232014	N/A
SE54	32 1/4	2232018	2232020	2232022	N/A
SE58	34 1/4	2232026	2232028	2232030	N/A
SE60/EL60	36	2232034	2232036	2232038	N/A
SP40	24	2232042	2232044	2232046	N/A
SP80/EL80	48	2232002	2232004	2232006	N/A

#### Transition Casing / Wide (Impact Resistant)

	2 1/4" and 2 1/2"		3 1/2"	
	Maple	Oak	Maple	Oak
	2231120	2231121	2231122	2231123

### Installation Kit (For Impact Resistant Units)

#### Installation Screw Package (Impact Resistant)

<b>Kit Includes:</b> 16 - 10-12 x 3 " STST PH FLT HD T-17 screws 1 Instruction sheet	<b>Order No.</b>
	2299101

# 400 Series Springline™ Windows (1994 to Present)

## Service Replacement

### Service Replacement Only Parts

#### Service Replacement Only Parts

**Note:**

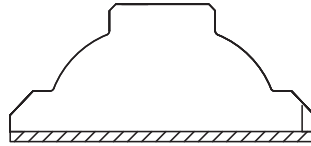
This section is specifically designed for parts that should only be ordered if a Field Service Manager/Service Provider has requested them to be ordered or if the customer agrees to also pay for a non-warranty repair/replace service job (subject to availability) for these parts to be installed. We do not recommend anyone other than a trained AW employee or Service Provider install these parts due to the complexity of installation, modifications required for installation and/or requirement of special tools.

#### Exterior Grilles - HDN

##### Exterior Grille - HDN / Lineal / PVC

**Note:**

These grilles can only be ordered by SAR/SPC.



Length	White			Terratone			Sandtone		
	3/4"	7/8"	1 1/8"	3/4"	7/8"	1 1/8"	3/4"	7/8"	1 1/8"
60"	2322030	2322034	2322038	N/A	N/A	N/A	N/A	N/A	N/A
84"	2322031	2322035	2322039	N/A	N/A	N/A	N/A	N/A	N/A

## Notes

---