

What's in This Section

Standard Windows	Page 3
Parts Illustration	3
Parts Illustration	3
Colors - Exterior	4
Colors/Species/Finishes - Interior	5
Unit Sizes	6
Standard and Custom Window Sizes	6
E-Series Product Label	6
Unit Size Chart - Standard Windows	7
Product History	8
Milestones	8
Sash	9
Sash Size Table	9
Sash Graphic	11
Sash Graphic / Detail	12
Sash	13
Weatherstrip	14
Glass	15
Glass	15
Glass Stops	16
Glass Parts	17
Insect Screens	18
Insect Screen	18
Insect Screen - Standard Screens	19
Insect Screen Parts	20
Grilles	21
Grilles	21
Grille Options	22
Interior Grille Parts	23
Hardware	24
Hinge Components	24
Handles	26
Locks and Lock Components	27
Optional Hardware	28
Frames	29
Frame Graphic - Side Jambs	29

Frame Graphic - Head Jamb and Sill	30
Frame	31
Stops	32
Weatherstrip	33
Frame Parts	34

E-Series Push Out Awning Windows (2012 to 2022)

Standard Windows

Parts Illustration

Parts Illustration



Manufactured 2012 to 2022

E-Series Push Out Awning Window Unit Parts

Unit viewed from interior

Parts Illustration

Colors - Exterior

Note:
(*) Anodized Finishes

				Colony White	White	Abalone	Balsa White
			Canvas	Maple Syrup	Harvest Gold	Prairie Grass	
Flagstone	Sandtone	Pebble Tan	Carmel	Terratone	Hot Chocolate	Bourbon	
Acorn	Coffee Bean	Cocoa Bean	Sierra Bronze	Dark Bronze	Clay Canyon	Red Rock	
Cardinal	Bing Cherry	Fire Engine Red	Cinnamon Toast	Olive	Sage	Billiard Green	
Moss	Forest Green	Mallard Green	Spearmint	Aquamarine	Patina	Sky Blue	
Country Blue	Blue Denim	Watercolor Blue	Caribbean Blue	Slate	Moody Blue	Stormy Blue	
Dove Gray	Harbor Mist	Yorktown Pewter	Smokey Gray	Mystic Gray	Dark Ash	Black	
Light Bronze*	Champagne*	Clear Anodized*	Black	Dark Bronze*	Copper*	Medium Bronze*	

Colors/Species/Finishes - Interior

Species Interior Options



Pine



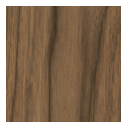
Mixed Grain
Douglas Fir



Oak



Maple



Walnut



Alder



Hickory



Mahogany



Vertical Grain
Douglas Fir



Cherry



White Oak

Stained Interior Options



Clear Coat



Wheat



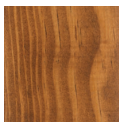
Autumn Oak



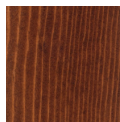
Golden Hickory



Honey



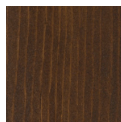
Cinnamon



Russet

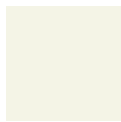


Mocha

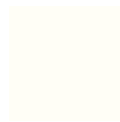


Espresso

Painted Interior Options



White



Birch Bark



Primed



Canvas



Sandtone



Terratone



Forest Green



Dark Bronze



Dove Gray



Prairie Grass



Red Rock



Cocoa Bean



Black



Anodized Silver ¹

Unit Sizes

Standard and Custom Window Sizes

Note:

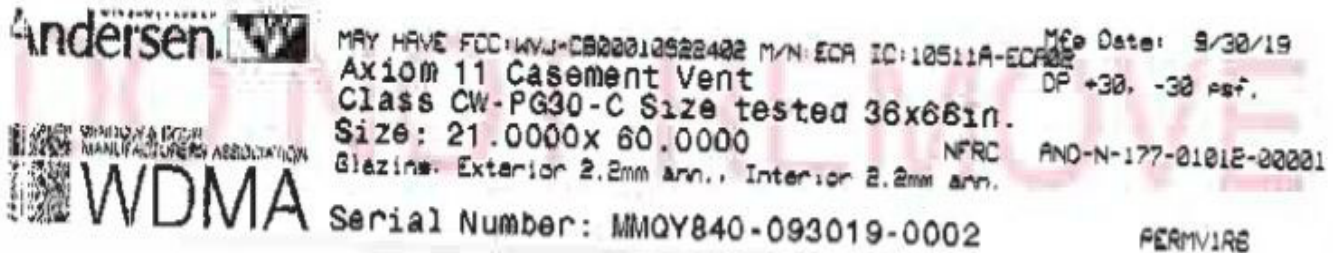
E-Series Push Out Awning Windows are available in standard sizes (see standard size charts, [page 6](#)). Replacement parts for some standard windows can be ordered using the numbers listed in this catalog. Many replacement parts for standard windows are made to order. These items are ordered using the Product ID found on the identification label and a description of the part is needed. See [Service Guide 9051877](#).

E-Series Push Out Awning Windows are also available in custom sizes in 1/8" increments between the smallest and the largest standard sizes. Most replacement parts for custom-sized windows are made to order and can be ordered with the Product ID found on the identification label and a description of the part needed. See [Service Guide 9051877](#).

E-Series Product Label

Note:

Every E-Series Push Out Awning Window will have an identification label or glass etching containing a unique Product ID. The Product ID on E-Series Push Out Awning Windows will be located at the top of the window frame or etched into the glass. See [Service Guide 9051877](#). The Product ID may be up to 14 digits long (excluding hyphens), depending on the age of the unit. Replacement parts will also get their own unique Product ID. When ordering replacement parts, providing the Product ID ensures that replacement parts match the specifications.



E-Series Push Out Awning Windows (2012 to 2022)

Standard Windows

Unit Sizes

Unit Size Chart - Standard Windows

Note:

F.S. refers to overall outside-to-outside frame. R.O. refers to rough opening. See latest [Size Grid](#).

Push Out Awning Window Sizes

	2' 0 1/2"	2' 4 1/2"	2' 6 1/2"	2' 8 1/2"	3' 0 1/2"	3' 4 1/2"	4' 0 1/2"
	2' 0"	2' 4"	2' 6"	2' 8"	3' 0"	3' 4"	4' 0"
1' 8"							
2' 0"							
2' 6"							
3' 0"							
3' 4"							
4' 0"							

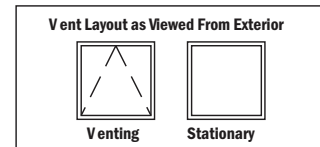
NOTES

If glass is positioned within 18" of the finished floor, safety/tempered glass may be required. Local codes may differ. Verify tempered glass requirements with your local building code official.

Use structural joining material when necessary or required by code.

The light patterns illustrated apply to rectangular removable interior wood grilles, Full Divided Light, Simulated Divided Light, Decorelle 100, 150 and 400 and Finelight™ Grilles-Between-the-Glass. All removable interior wood grilles will be installed in the units unless otherwise specified.

For a metric conversion in millimeters, multiply dimensions in inches by 25.4.



FORMULA FOR COMBINATION WINDOWS

The overall frame dimension (both width and height) is equal to the sum of the individual unit frame dimensions plus joining material dimension(s).

The overall rough opening (both width and height) is equal to the overall frame dimensions plus 1/4" on all sides.

Any unit within each combination can be operating or stationary.

PUSH OUT AWNING

Units ≥ 36" Actual Frame Height receive (2) friction stays.

E-Series Push Out Awning Standard Window Unit Sizes

Product History

Milestones

2022 Push Out Awning windows discontinued. See [Bulletin 80-21](#) for more detail.

E-Series Push Out Awning Windows (2012 to 2022)

Standard Windows

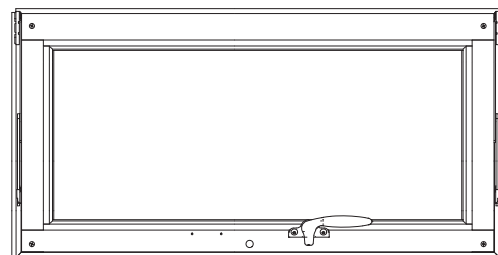
Sash

Sash Size Table

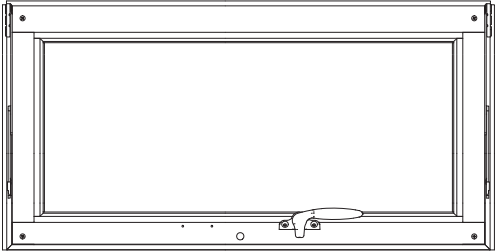
Note:

Sash shown is Push Out Awning. Overall Sash is measured outside edge to outside edge of frame.

Sash Size Table			
Unit No.	Sash Dimensions (w x h)	Visible Glass Dimensions (w x h)	Graphic
20	APOAX2018	22 1/2 x 18 1/2	17 7/8 x 13 7/8
	APOAX2020	22 1/2 x 22 1/2	17 7/8 x 17 7/8
	APOAX2026	22 1/2 x 28 1/2	17 7/8 x 23 7/8
	APOAX2030	22 1/2 x 34 1/2	17 7/8 x 29 7/8
	APOAX2034	22 1/2 x 38 1/2	17 7/8 x 33 7/8
	APOAX2040	22 1/2 x 46 1/2	17 7/8 x 41 7/8
24	APOAX2418	26 1/2 x 22 1/2	21 7/8 x 13 7/8
	APOAX2420	26 1/2 x 28 1/2	21 7/8 x 17 7/8
	APOAX2426	26 1/2 x 30 1/2	21 7/8 x 23 7/8
	APOAX2430	26 1/2 x 34 1/2	21 7/8 x 29 7/8
	APOAX2434	26 1/2 x 38 1/2	21 7/8 x 33 7/8
	APOAX2440	26 1/2 x 46 1/2	21 7/8 x 41 7/8
26	APOAX2620	28 1/2 x 22 1/2	23 7/8 x 13 7/8
	APOAX2626	28 1/2 x 28 1/2	23 7/8 x 17 7/8
	APOAX2628	28 1/2 x 30 1/2	23 7/8 x 23 7/8
	APOAX2630	28 1/2 x 34 1/2	23 7/8 x 29 7/8
	APOAX2634	28 1/2 x 38 1/2	23 7/8 x 33 7/8
	APOAX2640	28 1/2 x 46 1/2	23 7/8 x 41 7/8
28	APOAX2820	30 1/2 x 22 1/2	25 7/8 x 13 7/8
	APOAX2826	30 1/2 x 28 1/2	25 7/8 x 17 7/8
	APOAX2828	30 1/2 x 30 1/2	25 7/8 x 23 7/8
	APOAX2830	30 1/2 x 34 1/2	25 7/8 x 29 7/8
	APOAX2834	30 1/2 x 38 1/2	25 7/8 x 33 7/8
	APOAX2840	30 1/2 x 46 1/2	25 7/8 x 41 7/8
30	APOAX3020	34 1/2 x 22 1/2	29 7/8 x 13 7/8
	APOAX3026	34 1/2 x 28 1/2	29 7/8 x 17 7/8
	APOAX3028	34 1/2 x 30 1/2	29 7/8 x 23 7/8
	APOAX3030	34 1/2 x 34 1/2	29 7/8 x 29 7/8
	APOAX3034	34 1/2 x 38 1/2	29 7/8 x 33 7/8
	APOAX3040	34 1/2 x 46 1/2	29 7/8 x 41 7/8



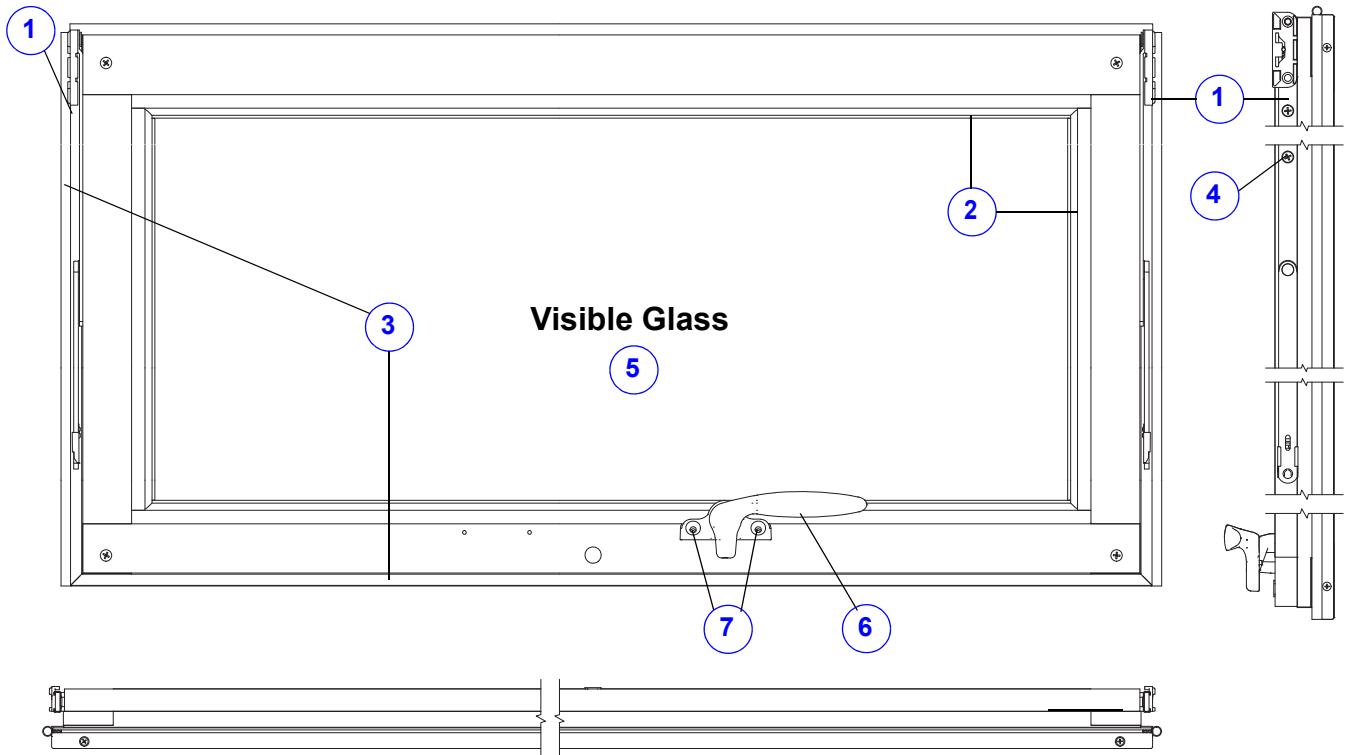
Sash

Sash Size Table				
Unit No.	Sash Dimensions (w x h)	Visible Glass Dimensions (w x h)	Graphic	
34	APOAX3420	38 1/2 x 22 1/2	33 7/8 x 13 7/8	
	APOAX3426	38 1/2 x 28 1/2	33 7/8 x 17 7/8	
	APOAX3428	38 1/2 x 30 1/2	33 7/8 x 23 7/8	
	APOAX3430	38 1/2 x 34 1/2	33 7/8 x 29 7/8	
	APOAX3434	38 1/2 x 38 1/2	33 7/8 x 33 7/8	
	APOAX3440	38 1/2 x 46 1/2	33 7/8 x 41 7/8	
40	APOAX4020	46 1/2 x 22 1/2	41 7/8 x 13 7/8	
	APOAX4026	46 1/2 x 28 1/2	41 7/8 x 17 7/8	
	APOAX4028	46 1/2 x 30 1/2	41 7/8 x 23 7/8	
	APOAX4030	46 1/2 x 34 1/2	41 7/8 x 29 7/8	
	APOAX4034	46 1/2 x 38 1/2	41 7/8 x 33 7/8	
	APOAX4040	46 1/2 x 46 1/2	41 7/8 x 41 7/8	

Sash Graphic

Note:

Standard Push Out Awning sash shown. See additional [Awning types](#).



- 1. [Hinge](#)
- 2. [Stop](#)
- 3. [Weatherstrip](#)
- 4. [Screw \(Hinge\)](#)
- 5. [Glass](#)
- 6. [Handle](#)
- 7. [Screw \(Handle\)](#)

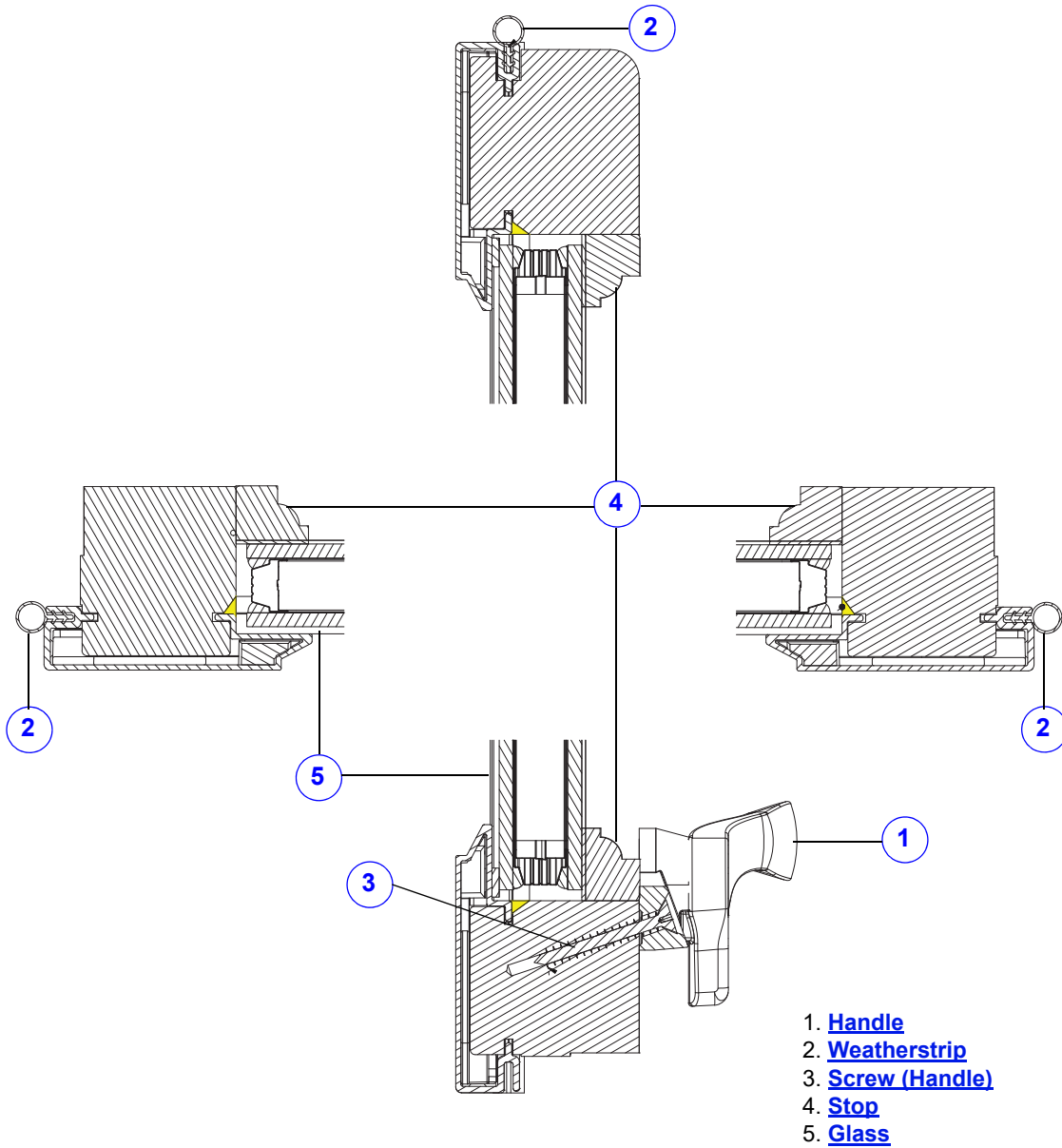
E-Series Push Out Awning Sash

Sash viewed from interior

Sash

Sash Graphic / Detail

Note:
 Push Out Awning sash detail shown. See additional [Awning types](#).

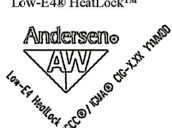
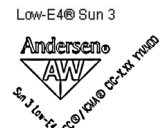


Sash

Sash - Operating

Note:

Replacement sash are made to order and can be configured through iQ+. Current glazings replace previous vintage glazings. Product ID label is located on the head jamb.



TEMPERED
UA
16 CFR 1201.11
ANSI Z97.1-2009
SGCC XXXX
CIG-XX Xmm MM/DD/YR
CAN/CGSB 12.1-M90

Exterior color options:

Interior species/finish/color options:

Glass options (See Logo/Etching Examples):

Low-E4®	Low-E4® HeatLock	Low-E4® SmartSun HeatLock
Low-E4® SmartSun™	Low-E4® Smart-Sun HeatLock	Low-E4® Triple-Pane
Low-E4® Passive Sun	Low-E4® Sun Heat-Lock	Low-E4® Smart-Sun Triple-Pane
Low-E4® Sun 3	Low-E4® HeatLock Tempered	Low-E4® Enhanced Triple-Pane
Low-E4® Tempered	Dual Pane Clear	Low-E4® Smart-Sun Enhanced Triple-Pane
Low-E4® SmartSun Tempered	Cascade	Low-E4® Enhanced Triple-Pane Heat-Lock
Low-E4® Passive Sun Tempered	Fern	Low-E4® Smart-Sun Enhanced Triple-Pane HeatLock
Low-E4® Sun Tempered	Reed	


To order, state:

Product ID (from product label, see [Service Guide 9051877](#))

OR

1. Unit or frame size (APOAX XXXX or frame W x H dimensions)
2. Description of part (Sash)
3. Sash handing (Right, Left, or Stationary)
4. Exterior color of sash to be replaced
5. Interior wood species/finish/color of sash to be replaced
6. Glazing/Grille type
7. Glass Stop Type (Ovolo, Contemporary)
8. Manufacturing Date

Sash

Weatherstrip				
Weatherstrip				
		Color	Size	Order No.
		White	10 ft (120")	9103912
		Black		9103913
		White	25 ft (300")	9103816
Black	9103817			

E-Series Push Out Awning Windows (2012 to 2022)

Standard Windows

Glass

Glass																									
<p>Note: Replacement glass is made to order and can be configured through iQ+. Current glazings replace previous vintage glazings. Product ID label is located on the head jamb. Glass ships with sealant and spacers. See Accessory Guide 9176386.</p>																									
		<p>Exterior color options: Interior species/finish/color options: Glass options (See Logo/Etching Examples):</p> <table border="1"> <thead> <tr> <th>Low-E4®</th> <th>Low-E4® HeatLock</th> <th>Low-E4® SmartSun HeatLock</th> </tr> </thead> <tbody> <tr> <td>Low-E4® SmartSun™</td> <td>Low-E4® Smart-Sun HeatLock</td> <td>Low-E4® Triple-Pane</td> </tr> <tr> <td>Low-E4® Passive Sun</td> <td>Low-E4® Sun Heat-Lock</td> <td>Low-E4® Smart-Sun Triple-Pane</td> </tr> <tr> <td>Low-E4® Sun 3</td> <td>Low-E4® HeatLock Tempered</td> <td>Low-E4® Enhanced Triple-Pane</td> </tr> <tr> <td>Low-E4® Tempered</td> <td>Dual Pane Clear</td> <td>Low-E4® Smart-Sun Enhanced Triple-Pane</td> </tr> <tr> <td>Low-E4® SmartSun Tempered</td> <td>Cascade</td> <td>Low-E4® Enhanced Triple-Pane Heat-Lock</td> </tr> <tr> <td>Low-E4® Passive Sun Tempered</td> <td>Fern</td> <td rowspan="2">Low-E4® Smart-Sun Enhanced Triple-Pane HeatLock</td> </tr> <tr> <td>Low-E4® Sun Tempered</td> <td>Reed</td> </tr> </tbody> </table>	Low-E4®	Low-E4® HeatLock	Low-E4® SmartSun HeatLock	Low-E4® SmartSun™	Low-E4® Smart-Sun HeatLock	Low-E4® Triple-Pane	Low-E4® Passive Sun	Low-E4® Sun Heat-Lock	Low-E4® Smart-Sun Triple-Pane	Low-E4® Sun 3	Low-E4® HeatLock Tempered	Low-E4® Enhanced Triple-Pane	Low-E4® Tempered	Dual Pane Clear	Low-E4® Smart-Sun Enhanced Triple-Pane	Low-E4® SmartSun Tempered	Cascade	Low-E4® Enhanced Triple-Pane Heat-Lock	Low-E4® Passive Sun Tempered	Fern	Low-E4® Smart-Sun Enhanced Triple-Pane HeatLock	Low-E4® Sun Tempered	Reed
Low-E4®	Low-E4® HeatLock	Low-E4® SmartSun HeatLock																							
Low-E4® SmartSun™	Low-E4® Smart-Sun HeatLock	Low-E4® Triple-Pane																							
Low-E4® Passive Sun	Low-E4® Sun Heat-Lock	Low-E4® Smart-Sun Triple-Pane																							
Low-E4® Sun 3	Low-E4® HeatLock Tempered	Low-E4® Enhanced Triple-Pane																							
Low-E4® Tempered	Dual Pane Clear	Low-E4® Smart-Sun Enhanced Triple-Pane																							
Low-E4® SmartSun Tempered	Cascade	Low-E4® Enhanced Triple-Pane Heat-Lock																							
Low-E4® Passive Sun Tempered	Fern	Low-E4® Smart-Sun Enhanced Triple-Pane HeatLock																							
Low-E4® Sun Tempered	Reed																								
<p>TEMPERED UA 16 CFR 1201 II ANSI Z97.1 2009 SGCC XXXX CIG-XX Xmm MM/DD/YR CAN/CGSB 12.1-M90</p>		<p>To order, state: Product ID (from product label, see Service Guide 9051877) OR</p> <ol style="list-style-type: none"> Unit or frame size (APOAX XXXX or frame W x H dimensions) Description of part (Glass) Glazing/Grille type Glass Stop Type (Ovolo, Contemporary) Manufacturing Date 																							

Glass

Glass Stops

Stops - Top / Bottom / Side

Note:

Stops (top, bottom and side) are made to order.

To order, state:

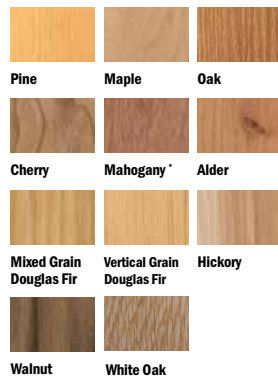
Product ID (from product label, see [Service Guide 9051877](#))

OR

1. Description of Part/Size (Stop)
2. Color/Species/Finish
3. Location/Handing (Top, Bottom, Side)
4. Type (Ovolo, Contemporary)
5. Manufacturing Date

Interior species/finish/color options

WOOD SPECIES



FACTORY-FINISHED INTERIORS



PAINTED OPTIONS



E-Series Push Out Awning Windows (2012 to 2022)

Standard Windows

Glass

Glass Parts			
Glazing Tape			
Note: See Accessory Guide 9064542 .			
		Color	Order No.
		Gray	33751RL
Silicone Bed Glazing			
		Color	Order No.
		Dove Gray	9164412

Insect Screens

Insect Screen

Note:

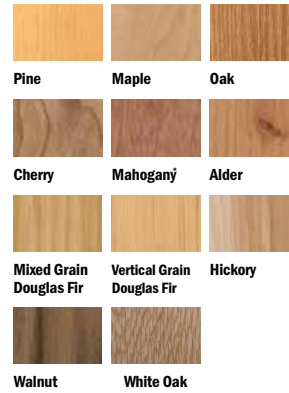
Swinging screens available in fiberglass and aluminum mesh while retractable screens are only available in fiberglass mesh. Replacement insect screens can be configured in iQ+.

Color/finish options

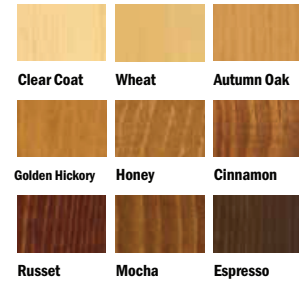


Species/finish/color options

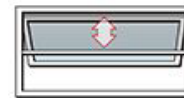
WOOD SPECIES



FACTORY-FINISHED INTERIORS



Swinging



Retractable Screen

E-Series Push Out Awning Windows (2012 to 2022)

Standard Windows

Insect Screens

Insect Screen - Standard Screens

Insect Screen - Standard Screens



Unit No.	Dimensions (w x h)
20	APOAX2018 20 ¹³ / ₃₂ X 15 ²¹ / ₃₂
	APOAX2020 20 ¹³ / ₃₂ X 19 ²¹ / ₃₂
	APOAX2026 20 ¹³ / ₃₂ X 25 ²¹ / ₃₂
	APOAX2030 20 ¹³ / ₃₂ X 31 ²¹ / ₃₂
	APOAX2034 20 ¹³ / ₃₂ X 35 ²¹ / ₃₂
	APOAX2040 20 ¹³ / ₃₂ X 43 ²¹ / ₃₂
24	APOAX2418 24 ¹³ / ₃₂ X 15 ²¹ / ₃₂
	APOAX2420 24 ¹³ / ₃₂ X 19 ²¹ / ₃₂
	APOAX2426 24 ¹³ / ₃₂ X 25 ²¹ / ₃₂
	APOAX2430 24 ¹³ / ₃₂ X 31 ²¹ / ₃₂
	APOAX2434 24 ¹³ / ₃₂ X 35 ²¹ / ₃₂
	APOAX2440 24 ¹³ / ₃₂ X 43 ²¹ / ₃₂
26	APOAX2620 26 ¹³ / ₃₂ X 19 ²¹ / ₃₂
	APOAX2626 26 ¹³ / ₃₂ X 25 ²¹ / ₃₂
	APOAX2628 26 ¹³ / ₃₂ X 27 ²¹ / ₃₂
	APOAX2630 26 ¹³ / ₃₂ X 31 ²¹ / ₃₂
	APOAX2634 26 ¹³ / ₃₂ X 35 ²¹ / ₃₂
	APOAX2640 26 ¹³ / ₃₂ X 43 ²¹ / ₃₂
28	APOAX2820 28 ¹³ / ₃₂ X 19 ²¹ / ₃₂
	APOAX2826 28 ¹³ / ₃₂ X 25 ²¹ / ₃₂
	APOAX2828 28 ¹³ / ₃₂ X 27 ²¹ / ₃₂
	APOAX2830 28 ¹³ / ₃₂ X 31 ²¹ / ₃₂
	APOAX2834 28 ¹³ / ₃₂ X 35 ²¹ / ₃₂
	APOAX2840 28 ¹³ / ₃₂ X 43 ²¹ / ₃₂
30	APOAX3020 32 ¹³ / ₃₂ X 19 ²¹ / ₃₂
	APOAX3026 32 ¹³ / ₃₂ X 25 ²¹ / ₃₂
	APOAX3028 32 ¹³ / ₃₂ X 27 ²¹ / ₃₂
	APOAX3030 32 ¹³ / ₃₂ X 32 ¹³ / ₃₂
	APOAX3034 32 ¹³ / ₃₂ X 35 ²¹ / ₃₂
	APOAX3040 32 ¹³ / ₃₂ X 43 ²¹ / ₃₂

Insect Screens

Insect Screen - Standard Screens



Unit No.		Dimensions (w x h)
34	APOAX3420	36 ¹³ / ₃₂ X 19 ²¹ / ₃₂
	APOAX3426	36 ¹³ / ₃₂ X 25 ²¹ / ₃₂
	APOAX3428	36 ¹³ / ₃₂ X 27 ²¹ / ₃₂
	APOAX3430	36 ¹³ / ₃₂ X 31 ²¹ / ₃₂
	APOAX3434	36 ¹³ / ₃₂ X 35 ²¹ / ₃₂
40	APOAX4020	44 ¹³ / ₃₂ X 19 ²¹ / ₃₂
	APOAX4026	44 ¹³ / ₃₂ X 25 ²¹ / ₃₂
	APOAX4028	44 ¹³ / ₃₂ X 27 ²¹ / ₃₂
	APOAX4030	44 ¹³ / ₃₂ X 31 ²¹ / ₃₂

Insect Screen Parts

Installation Kit

Kit Includes:
 (2) Bushings
 (2) Housings
 (2) Magnets
 (2) Fasteners #4 x 3/4"

	Order No. 9133478
--	-----------------------------

Grilles

Grilles

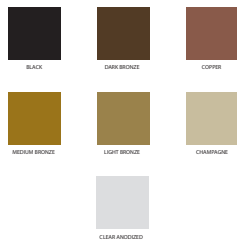
Note:

Replacement sash with permanently applied grilles and finelight grilles can be configured in iQ+. Replacement removable interior grilles can be configured in iQ+. Removable grilles are only available in 7/8" profile.

Exterior color/finish options

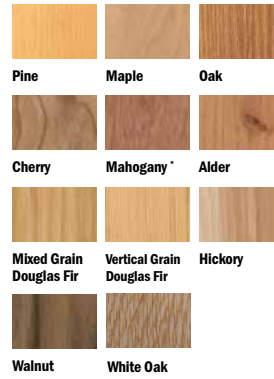


ANNODIZED FINISHES



Interior species/finish/color options

WOOD SPECIES



FACTORY-FINISHED INTERIORS



PAINTED OPTIONS



Grilles

Grille Options

Note:

Replacement sash with permanently applied grilles and finelight grilles can be configured in iQ+. Replacement removable interior grilles can be configured in iQ+. Removable grilles are only available in 7/8" profile.

Types



Full Divided Light

Give any window an authentic look with full divided light grilles that are permanently applied to the interior and exterior of your window with a spacer between the glass.



Simulated Divided Light

An economical solution with traditional beauty, our Simulated Divided Light features fixed exterior and interior grilles without an internal spacer.



Removable Interior Wood Grilles

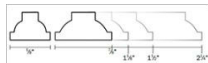
Our removable wood grilles are installed on the interior surface. They are available with an optional surround and an optional permanently applied exterior grille.



Finelight™ Grilles-Between-the-Glass

Aluminum grilles conveniently placed between two panes of glass make the glass easy to clean inside and out.

Profiles



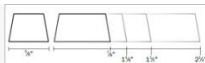
Interior Wood: Ovolo (Colonial)

Widths:

- 5/8"
- 7/8"
- 1 1/8"
- 1 1/2"
- 2 1/4"

Available with:

- Full Divided Light
- Simulated Divided Light



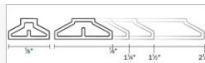
Interior Wood: Contemporary

Widths:

- 5/8"
- 7/8"
- 1 1/8"
- 1 1/2"
- 2 1/4"

Available with:

- Full Divided Light
- Simulated Divided Light



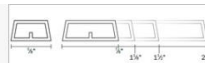
Exterior Aluminum: Chamfer

Widths:

- 5/8"
- 7/8"
- 1 1/8"
- 1 1/2"
- 2 1/4"

Available with:

- Full Divided Light
- Simulated Divided Light
- Removable Interior Wood with Optional Permanently Applied Exterior Grille



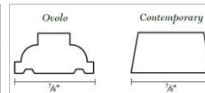
Exterior Aluminum: Contemporary

Widths:

- 5/8"
- 7/8"
- 1 1/8"
- 1 1/2"
- 2 1/4"

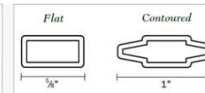
Available with:

- Full Divided Light
- Simulated Divided Light
- Removable Interior Wood with Optional Permanently Applied Exterior Grille



Removable Interior Wood Grilles

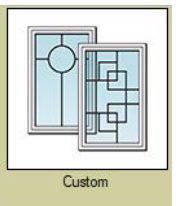
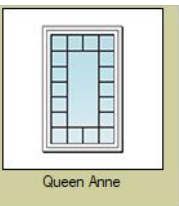
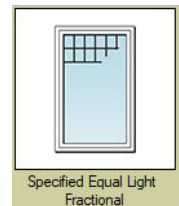
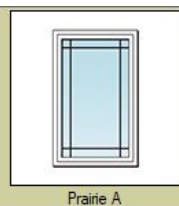
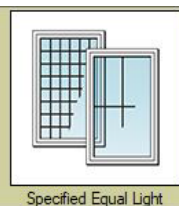
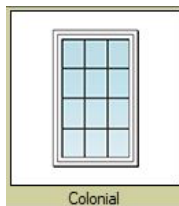
Ovolo or Contemporary profiles in 7/8" width



Finelight Grille Profiles and Widths

Flat or Contoured profiles in 5/8" or 1" widths

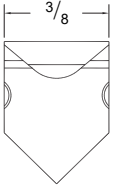
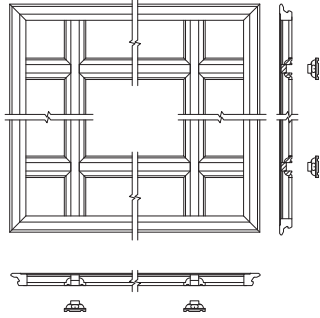
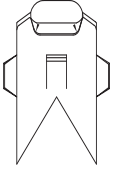
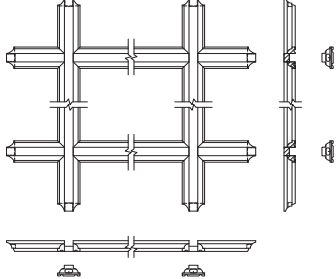
Patterns



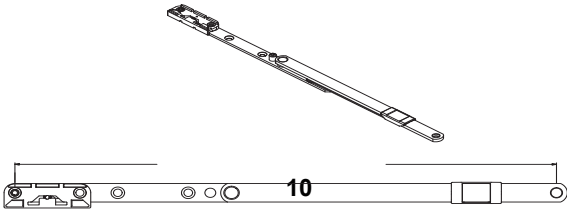
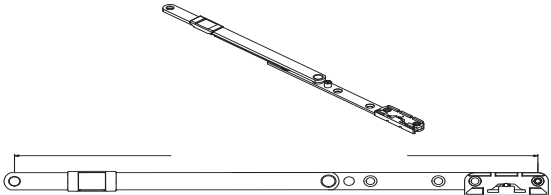
E-Series Push Out Awning Windows (2012 to 2022)

Standard Windows

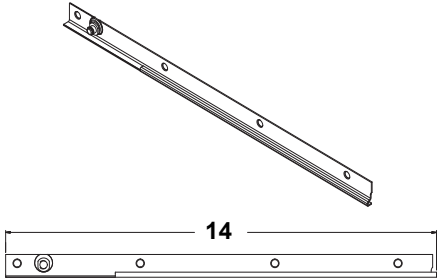
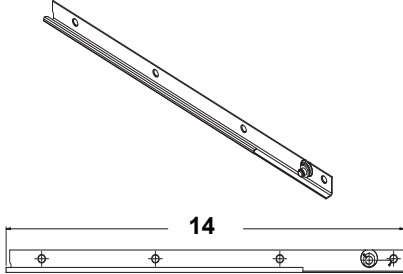
Grilles

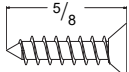
Interior Grille Parts		
Clip - Surround		
Note: Used with framed removable grilles.		
		Order No. 0004900
Clip - Knocked Down		
Note: Used with knocked down removable grilles.		
		Order No. 0004901

Hardware

Hinge Components				
Hinge Arm - Stainless Steel				
Note: Secures to sash.				
 <p style="text-align: center;">10</p> <p style="text-align: center;">LH</p>		 <p style="text-align: center;">RH</p>		
		Standard		
	Size	Frame Height		
			Left	
			Right	
	14"	<20"	0011222	0011223
	18"	>=20" <=37.5"	0014051	0014052
	22"	<37.5"	0014055	0014056

Screw / Hinge Arm		
Note: Also used to secure hinge arm. #6 screw used with hardwoods, #7 screw used with pine.		
	Description	Order No.
	#7 X 1 1/4 PFHSMS Type AB 18-8 SS	0027959
	#6 X 1 1/4 PFHSMS Teks SS 410	9105801

Hinge Track - Stainless Steel 14"				
Note: Secures to side jambs.				
 <p style="text-align: center;">14</p> <p style="text-align: center;">LH</p>		 <p style="text-align: center;">14</p> <p style="text-align: center;">RH</p>		
		Order No.		
	Size	Frame Height		
			Left	
			Right	
	14"	<20"	0011224	0011225
	18"	>=20" <=37.5"	0014053	0014054
	22"	<37.5"	0014057	0014058

Screw / Hinge Track			
	Description	Finish	Order No.
	#8 x 1" PFHSMS Type AB Z & Y	Z & Y	0013396

E-Series Push Out Awning Windows (2012 to 2022)

Standard Windows

Hardware

Restrictor Arm - 14"			
<p>Note: Use with units that have a frame height greater than 36".</p>			
<table border="1"> <tr> <td>Order No.</td> </tr> <tr> <td>0011481</td> </tr> </table>		Order No.	0011481
Order No.			
0011481			

Hinge Stop / 14" Friction Hinge			
<p>Note: Use with unit heights $\geq 20"$ and $< 36"$. Specify height dimension.</p>			
		Finish	Order No.
		Aluminum	By description

Hardware

Handles

Handle / Lock

Note:

Standard LH handle shown used on units with one handle. Two handles (RH and LH) used on units >= 40". Security handle includes magnet.

		Finish	LH	RH	Security LH	Security RH
		Black	0044286	0044292	9122519	9122526
		White	0044290	0044296	9122523	9122530
		Antique Brass	0044285	0044291	9122517	9122524
		Brass	0044287	0044293	9122520	9122527
		Satin Chrome	0044289	0044295	9122522	9122529
		Bright Chrome	-	-	9122518	9122525
		Oil Rubbed Bronze	0044288	0044294	9122521	9122528

Screw / Screw / Handle

	Description	Finish	Order No.
	#8 x 1 1/4" FHSMS Type AB	White	0020521
		Antique Brass	0020515
		Brass	0020516
		Satin Chrome	0020517
		Oil Rubbed Bronze	0020518

E-Series Push Out Awning Windows (2012 to 2022)

Standard Windows

Hardware

Locks and Lock Components

Lock Strike			
		Finish	Order No.
		Black	0015984
		Brass	0017136
		White	0015986
		Antique Brass	0017135
		Satin Chrome	0017137
		Oil Rubbed Bronze	0017134

Screw / Lock Strike				
		Description	Finish	Order No.
		#8 X 1 1/4 FHSMS Type AB	Black	0020518
			Brass	0020516
			White	0020521
			Antique Brass	0020515
			Satin Chrome	0020517

Sensor / Verilock Security			
		LH	RH
		0010221	0010222

Screw / Verilock				
		Description	Finish	Order No.
		#4 x 1/2" PFHSMS Type AB SS	Stainless Steel	0009884

Hardware

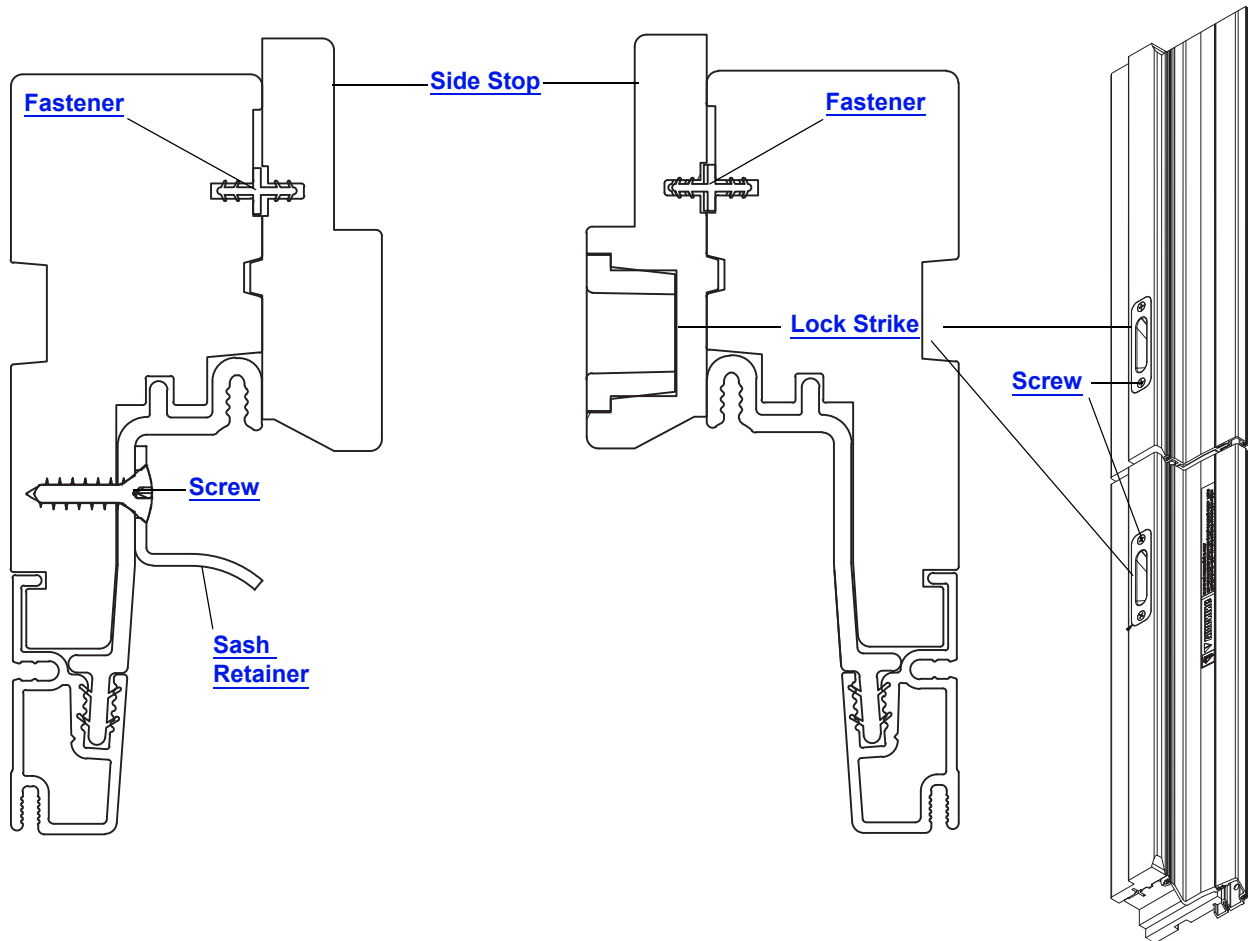
Optional Hardware

Sleeve Magnet			
	Note: Used with Verilock.	Finish	Order No.
		White	0015968
		Stone	0015967

Frame Graphic - Side Jamb

Note:

Standard Push Out Awning unit shown. See additional [Awning types](#).



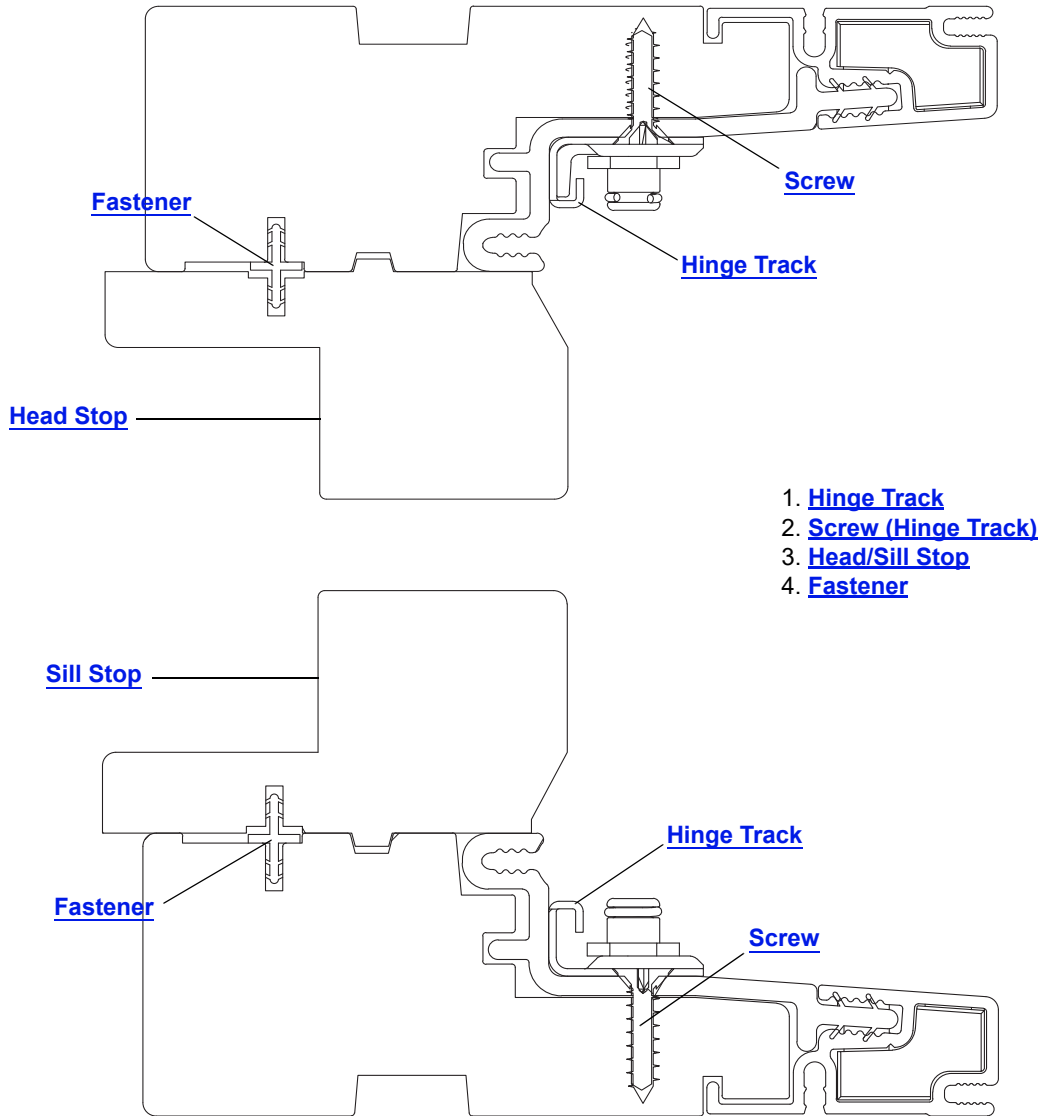
1. [Lock Strike](#)
2. [Screw \(Lock Strike\)](#)
3. [Side Stop](#)
4. [Sash Retainer](#)
5. [Screw \(Sash Retainer\)](#)
6. [Fastener](#)

Push Out Awning Frame (Side Jamb) Assembly

Frames

Frame Graphic - Head Jamb and Sill

Note:
See latest [details](#).



Push Out Awning Frame (Head and Sill) Assembly

E-Series Push Out Awning Windows (2012 to 2022)

Standard Windows

Frames

Frame

Note:

Replacement frames ship with hardware.

To order, state:

Product ID (from product label, see [Service Guide 9051877](#))

OR

1. Description of Part/Size (APOAX XXXX or frame W X H dimensions)
2. Colors/Species/Finish
3. Manufacturing Date

Exterior color/finish options

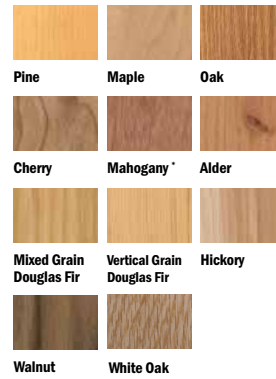


ANNODIZED FINISHES



Interior species/finish/color options

WOOD SPECIES



FACTORY-FINISHED INTERIORS



PAINTED OPTIONS



Frames

Stops

Stops - Head / Sill / Side

Note:

Stops (head, sill and side) are made to order.

To order, state:

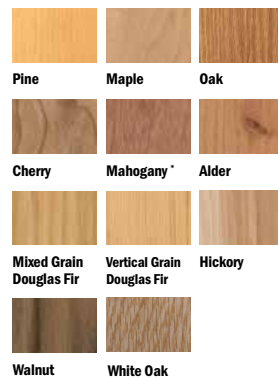
Product ID (from product label, see [Service Guide 9051877](#))

OR

1. Description of Part/Size (Stop)
2. Color/Species/Finish
3. Location/Handing (Head, Sill, Lock Jamb, Hinge Jamb, LH, RH)
4. Manufacturing Date

Interior species/finish/color options

WOOD SPECIES



FACTORY-FINISHED INTERIORS




PAINTED OPTIONS



E-Series Push Out Awning Windows (2012 to 2022)

Standard Windows

Frames

Weatherstrip			
Weatherstrip			
		Size	Order No.
		10 ft (120")	9103914
		25 ft (300")	9103915

Frames

Frame Parts

Fastener		Size	Order No.
		3"	000CFS3
		6"	000CFS6
		34"	00CFS34
		55"	00CFS55
		96"	00CFS96

Sash Retainer

Sash Retainer		Finish	Order No.
		Unfinished	9105321

Screw / Sash Retainer

Screw / Sash Retainer		Finish	Order No.
	Description	Unfinished	0040120
	#8 X 5/8 POHSMS Type AB SS		