

What's in This Section

Standard Windows	Page 3
Parts Illustration	3
Parts Illustration	3
Colors - Exterior	4
Colors/Species/Finishes - Interior	5
Unit Sizes	6
Standard and Custom Window Sizes	6
E-Series Product Label	6
Unit Size Chart - Standard Windows	7
Product History	8
Milestones	8
Sash	9
Sash Size Table	9
Sash Graphic	11
Sash Graphic / Detail	12
Sash	13
Weatherstrip	14
Glass	15
Glass	15
Glass Stops	16
Glass Parts	17
Insect Screens	18
Insect Screen	18
Insect Screen - Standard Screens	19
Insect Screen Parts	21
Grilles	22
Grilles	22
Grille Options	23
Interior Grille Parts	24
Hardware	25
Hinge - Piano	25
Hinge Components	26
Handles	28
Locks and Lock Components	29
Frames	30
Frame Graphic - Side Jambs	30

Frame Graphic - Head Jamb and Sill 31
Frame 32
Stops 33
Weatherstrip 34
Frame Parts 35

E-Series Push Out Casement Windows (2012 to 2022)

Standard Windows

Parts Illustration

Parts Illustration



Manufactured 2012 to 2022

E-Series Push Out Casement Window Unit Parts

Unit viewed from interior

Parts Illustration

Colors - Exterior

Note:
(*) Anodized Finishes

			Colony White	White	Abalone	Balsa White
			Canvas	Maple Syrup	Harvest Gold	Prairie Grass
Flagstone	Sandtone	Pebble Tan	Carmel	Terratone	Hot Chocolate	Bourbon
Acorn	Coffee Bean	Cocoa Bean	Sierra Bronze	Dark Bronze	Clay Canyon	Red Rock
Cardinal	Bing Cherry	Fire Engine Red	Cinnamon Toast	Olive	Sage	Billiard Green
Moss	Forest Green	Mallard Green	Spearmint	Aquamarine	Patina	Sky Blue
Country Blue	Blue Denim	Watercolor Blue	Caribbean Blue	Slate	Moody Blue	Stormy Blue
Dove Gray	Harbor Mist	Yorktown Pewter	Smokey Gray	Mystic Gray	Dark Ash	Black
Light Bronze*	Champagne*	Clear Anodized*	Black	Dark Bronze*	Copper*	Medium Bronze*

Colors/Species/Finishes - Interior

Species Interior Options



Pine



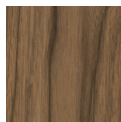
Mixed Grain
Douglas Fir



Oak



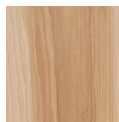
Maple



Walnut



Alder



Hickory



Mahogany



Vertical Grain
Douglas Fir



Cherry



White Oak

Stained Interior Options



Clear Coat



Wheat



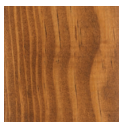
Autumn Oak



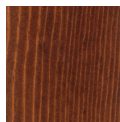
Golden Hickory



Honey



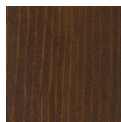
Cinnamon



Russet

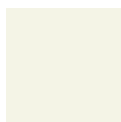


Mocha



Espresso

Painted Interior Options



White



Birch Bark



Primed



Canvas



Sandtone



Terratone



Forest Green



Dark Bronze



Dove Gray



Prairie Grass



Red Rock



Cocoa Bean



Black



Anodized Silver ¹

Unit Sizes

Standard and Custom Window Sizes

Note:

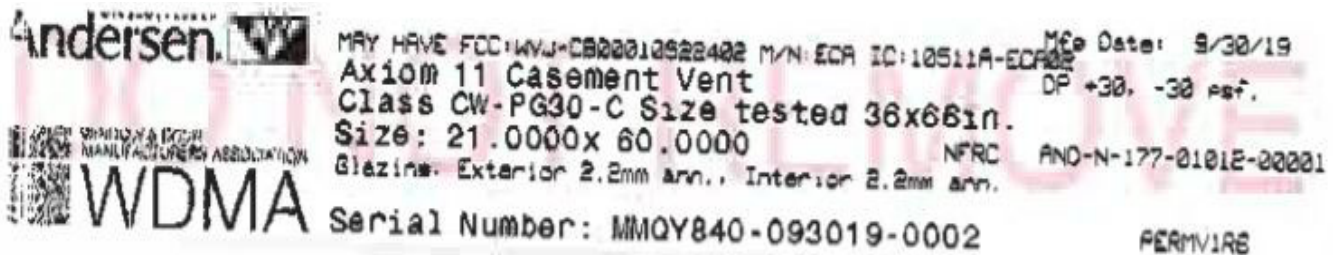
E-Series Push Out Casement Windows are available in standard sizes (see standard size charts, [page 6](#)). Replacement parts for some standard windows can be ordered using the numbers listed in this catalog. Many replacement parts for standard windows are made to order. These items are ordered using the Product ID found on the identification label and a description of the part needed. See [Service Guide 9051877](#).

E-Series Push Out Casement Windows are also available in custom sizes in 1/8" increments between the smallest and the largest standard sizes. Most replacement parts for custom-sized windows are made to order and can be ordered with the Product ID found on the identification label and a description of the part needed. See [Service Guide 9051877](#).

E-Series Product Label

Note:

Every E-Series Push Out Casement Window will have an identification label **or** glass etching containing a unique Product ID. The Product ID on E-Series Push Out Casement Windows will be located at the top of the window frame or etched into the glass. See [Service Guide 9051877](#). The Product ID may be up to 14 digits long (excluding hyphens), depending on the age of the unit. Replacement parts will also get their own unique Product ID. When ordering replacement parts, providing the Product ID ensures that replacement parts match the specifications.



E-Series Push Out Casement Windows (2012 to 2022)

Standard Windows

Unit Sizes

Unit Size Chart - Standard Windows

Note:

F.S. refers to overall outside-to-outside frame. R.O. refers to rough opening. See latest [Size Grid](#).

Push Out Casement Window Sizes

	1' 6 1/4"	1' 8 1/2"	2' 0 1/2"	2' 4 1/2"	2' 6 1/2"	2' 8 1/2"	3' 0 1/2"
	1' 5 3/4"	1' 8"	2' 0"	2' 4"	2' 6"	2' 8"	3' 0"
	1 1/8"	1' 1 1/4"	1' 5 3/8"	1' 9 7/8"	1' 11 7/8"	2' 1 7/8"	2' 5 7/8"
	PCMT15 3/4 20	PCMT1820	PCMT2020	PCMT2420	PCMT2620	PCMT2820	PCMT3020
	PCMT15 3/4 26	PCMT1826	PCMT2026	PCMT2426	PCMT2626	PCMT2826	PCMT3026
	PCMT15 3/4 28	PCMT1828	PCMT2028	PCMT2428	PCMT2628	PCMT2828	PCMT3028
	PCMT15 3/4 30	PCMT1830	PCMT2030	PCMT2430	PCMT2630	PCMT2830	PCMT3030
	PCMT15 3/4 34	PCMT1834	PCMT2034	PCMT2434	PCMT2634	PCMT2834	PCMT3034
	PCMT15 3/4 40	PCMT1840	PCMT2040	PCMT2440	PCMT2640	PCMT2840	PCMT3040 †
	PCMT15 3/4 46	PCMT1846	PCMT2046	PCMT2446	PCMT2646	PCMT2846	PCMT3046 †
	PCMT15 3/4 50	PCMT1850	PCMT2050	PCMT2450	PCMT2650	PCMT2850	PCMT3050 †
	PCMT15 3/4 56	PCMT1856	PCMT2056	PCMT2456	PCMT2656	PCMT2856	PCMT3056 †
	PCMT15 3/4 60	PCMT1860	PCMT2060	PCMT2460	PCMT2660	PCMT2860	PCMT3060 †

NOTES
 † These units meet or exceed the following dimensions: Clear Opening Area 5.7 sq. ft., Clear Opening Width 20", Clear Opening Height 24" and 44" maximum floor to sill height (with standard 6'10-1/2" structural header height). Local codes may differ. Verify egress requirements with your local building code official.

Units ≤ 24" Actual Frame Width (AFW) will receive hinges only (no clip or friction arm).
 Units > 24" AFW and ≤ 30" AFW receive clip only.
 Units > 30" AFW receive (2) 14" friction arms.

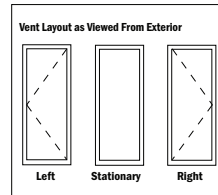
If glass is positioned within 18" of the finished floor, safety/tempered glass may be required. Local codes may differ. Verify tempered glass requirements with your local building code official.

Use structural joining material when necessary or required by code.

The light patterns illustrated apply to rectangular removable interior wood grilles, Full Divided Light, Simulated Divided Light, Decorelle 100, 150 and 400 and Finelight™ Grilles-Between-the-Glass. All removable interior wood grilles will be installed in the units unless otherwise specified.

For a metric conversion in millimeters, multiply dimensions in inches by 25.4.

R.O. = Rough Opening
 F.S. = Frame Size
 V.G. = Visible Glass



FORMULA FOR COMBINATION WINDOWS
 The overall frame dimension (both width and height) is equal to the sum of the individual unit frame dimensions plus joining material dimension(s).

The overall rough opening (both width and height) is equal to the overall frame dimensions plus 1/4" on all sides.

Any unit within each combination can be operating or stationary.

Joined Casement Combinations	2-Wide		3-Wide		4-Wide		5-Wide	
	Single Unit Frame Width	Rough Opening Width	Frame Width	Rough Opening Width	Frame Width	Rough Opening Width	Frame Width	Rough Opening Width
	1'-5 3/4"	3'-0"	2'-11 1/2"	4'-5 3/4"	4'-5 1/4"	5'-11 1/2"	5'-11"	7'-5 1/4"
	1'-8"	3'-4 1/2"	3'-4"	5'-0 1/2"	5'-0"	6'-8 1/2"	6'-8"	8'-4"
	2'-0"	4'-0 1/2"	4'-0"	6'-0 1/2"	6'-0"	8'-0 1/2"	8'-0"	10'-0 1/2"
	2'-4"	4'-8 1/2"	4'-8"	7'-0 1/2"	7'-0"	9'-4 1/2"	9'-4"	11'-8 1/2"
	2'-6"	5'-0 1/2"	5'-0"	7'-6 1/2"	7'-6"	10'-0 1/2"	10'-0"	12'-6 1/2"
	2'-8"	5'-4 1/2"	5'-4"	8'-0 1/2"	8'-0"	10'-8 1/2"	10'-8"	13'-4 1/2"
	3'-0"	6'-0 1/2"	6'-0"	9'-0 1/2"	9'-0"	12'-0 1/2"	12'-0"	15'-0 1/2"

E-Series Push Out Casement Standard Window Unit Sizes

Product History

Milestones

2022 Push Out Casement windows discontinued. See [Bulletin 80-21](#) for more detail.

E-Series Push Out Casement Windows (2012 to 2022)

Standard Windows

Sash

Sash Size Table

Note:

Sash shown is Push Out Casement. Overall Sash is measured outside edge to outside edge of frame.

Sash Size Table				
Unit No.	Sash Dimensions (w x h)	Visible Glass Dimensions (w x h)	Graphic	
15 3/4	CPOAX1520	16 1/4 x 22 1/2	11 5/8 x 17 7/8	
	CPOAX1526	16 1/4 x 28 1/2	11 5/8 x 23 7/8	
	CPOAX1528	16 1/4 x 30 1/2	11 5/8 x 25 7/8	
	CPOAX1530	16 1/4 x 34 1/2	11 5/8 x 29 7/8	
	CPOAX1534	16 1/4 x 38 1/2	11 5/8 x 33 7/8	
	CPOAX1540	16 1/4 x 46 1/2	11 5/8 x 41 7/8	
	CPOAX1546	16 1/4 x 52 1/2	11 5/8 x 47 7/8	
	CPOAX1550	16 1/4 x 58 1/2	11 5/8 x 53 7/8	
	CPOAX1556	16 1/4 x 64 1/2	11 5/8 x 59 7/8	
	CPOAX1560	16 1/4 x 70 1/2	11 5/8 x 65 7/8	
18	CPOAX1820	18 1/2 x 22 1/2	13 7/8 x 17 7/8	
	CPOAX1826	18 1/2 x 28 1/2	13 7/8 x 23 7/8	
	CPOAX1828	18 1/2 x 30 1/2	13 7/8 x 25 7/8	
	CPOAX1830	18 1/2 x 34 1/2	13 7/8 x 29 7/8	
	CPOAX1834	18 1/2 x 38 1/2	13 7/8 x 33 7/8	
	CPOAX1840	18 1/2 x 46 1/2	13 7/8 x 41 7/8	
	CPOAX1846	18 1/2 x 52 1/2	13 7/8 x 47 7/8	
	CPOAX1850	18 1/2 x 58 1/2	13 7/8 x 53 7/8	
	CPOAX1856	18 1/2 x 64 1/2	13 7/8 x 59 7/8	
	CPOAX1860	18 1/2 x 70 1/2	13 7/8 x 65 7/8	
20	CPOAX2020	22 1/2 x 22 1/2	17 7/8 x 17 7/8	
	CPOAX2026	22 1/2 x 28 1/2	17 7/8 x 23 7/8	
	CPOAX2028	22 1/2 x 30 1/2	17 7/8 x 25 7/8	
	CPOAX2030	22 1/2 x 34 1/2	17 7/8 x 29 7/8	
	CPOAX2034	22 1/2 x 38 1/2	17 7/8 x 33 7/8	
	CPOAX2040	22 1/2 x 46 1/2	17 7/8 x 41 7/8	
	CPOAX2046	22 1/2 x 52 1/2	17 7/8 x 47 7/8	
	CPOAX2050	22 1/2 x 58 1/2	17 7/8 x 53 7/8	
	CPOAX2056	22 1/2 x 64 1/2	17 7/8 x 59 7/8	
	CPOAX2060	22 1/2 x 70 1/2	17 7/8 x 65 7/8	

Sash

Sash Size Table				
Unit No.	Sash Dimensions (w x h)	Visible Glass Dimensions (w x h)	Graphic	
24	CPOAX2420	26 1/2 x 22 1/2	21 7/8 x 17 7/8	
	CPOAX2426	26 1/2 x 28 1/2	21 7/8 x 23 7/8	
	CPOAX2428	26 1/2 x 30 1/2	21 7/8 x 25 7/8	
	CPOAX2430	26 1/2 x 34 1/2	21 7/8 x 29 7/8	
	CPOAX2434	26 1/2 x 38 1/2	21 7/8 x 33 7/8	
	CPOAX2440	26 1/2 x 46 1/2	21 7/8 x 41 7/8	
	CPOAX2446	26 1/2 x 52 1/2	21 7/8 x 47 7/8	
	CPOAX2450	26 1/2 x 58 1/2	21 7/8 x 53 7/8	
	CPOAX2456	26 1/2 x 64 1/2	21 7/8 x 59 7/8	
	CPOAX2460	26 1/2 x 70 1/2	21 7/8 x 65 7/8	
26	CPOAX2620	28 1/2 x 22 1/2	23 7/8 x 17 7/8	
	CPOAX2626	28 1/2 x 28 1/2	23 7/8 x 23 7/8	
	CPOAX2628	28 1/2 x 30 1/2	23 7/8 x 25 7/8	
	CPOAX2630	28 1/2 x 34 1/2	23 7/8 x 29 7/8	
	CPOAX2634	28 1/2 x 38 1/2	23 7/8 x 33 7/8	
	CPOAX2640	28 1/2 x 46 1/2	23 7/8 x 41 7/8	
	CPOAX2646	28 1/2 x 52 1/2	23 7/8 x 47 7/8	
	CPOAX2650	28 1/2 x 58 1/2	23 7/8 x 53 7/8	
	CPOAX2656	28 1/2 x 64 1/2	23 7/8 x 59 7/8	
	CPOAX2660	28 1/2 x 70 1/2	23 7/8 x 65 7/8	
28	CPOAX2820	30 1/2 x 22 1/2	25 7/8 x 17 7/8	
	CPOAX2826	30 1/2 x 28 1/2	25 7/8 x 23 7/8	
	CPOAX2828	30 1/2 x 30 1/2	25 7/8 x 25 7/8	
	CPOAX2830	30 1/2 x 34 1/2	25 7/8 x 29 7/8	
	CPOAX2834	30 1/2 x 38 1/2	25 7/8 x 33 7/8	
	CPOAX2840	30 1/2 x 46 1/2	25 7/8 x 41 7/8	
	CPOAX2846	30 1/2 x 52 1/2	25 7/8 x 47 7/8	
	CPOAX2850	30 1/2 x 58 1/2	25 7/8 x 53 7/8	
	CPOAX2856	30 1/2 x 64 1/2	25 7/8 x 59 7/8	
	CPOAX2860	30 1/2 x 70 1/2	25 7/8 x 65 7/8	
30	CPOAX3020	34 1/2 x 22 1/2	29 7/8 x 17 7/8	
	CPOAX3026	34 1/2 x 28 1/2	29 7/8 x 23 7/8	
	CPOAX3028	34 1/2 x 30 1/2	29 7/8 x 25 7/8	
	CPOAX3030	34 1/2 x 34 1/2	29 7/8 x 29 7/8	
	CPOAX3034	34 1/2 x 38 1/2	29 7/8 x 33 7/8	
	CPOAX3040	34 1/2 x 46 1/2	29 7/8 x 41 7/8	
	CPOAX3046	34 1/2 x 52 1/2	29 7/8 x 47 7/8	
	CPOAX3050	34 1/2 x 58 1/2	29 7/8 x 53 7/8	
	CPOAX3056	34 1/2 x 64 1/2	29 7/8 x 59 7/8	
	CPOAX3060	34 1/2 x 70 1/2	29 7/8 x 65 7/8	

E-Series Push Out Casement Windows (2012 to 2022)

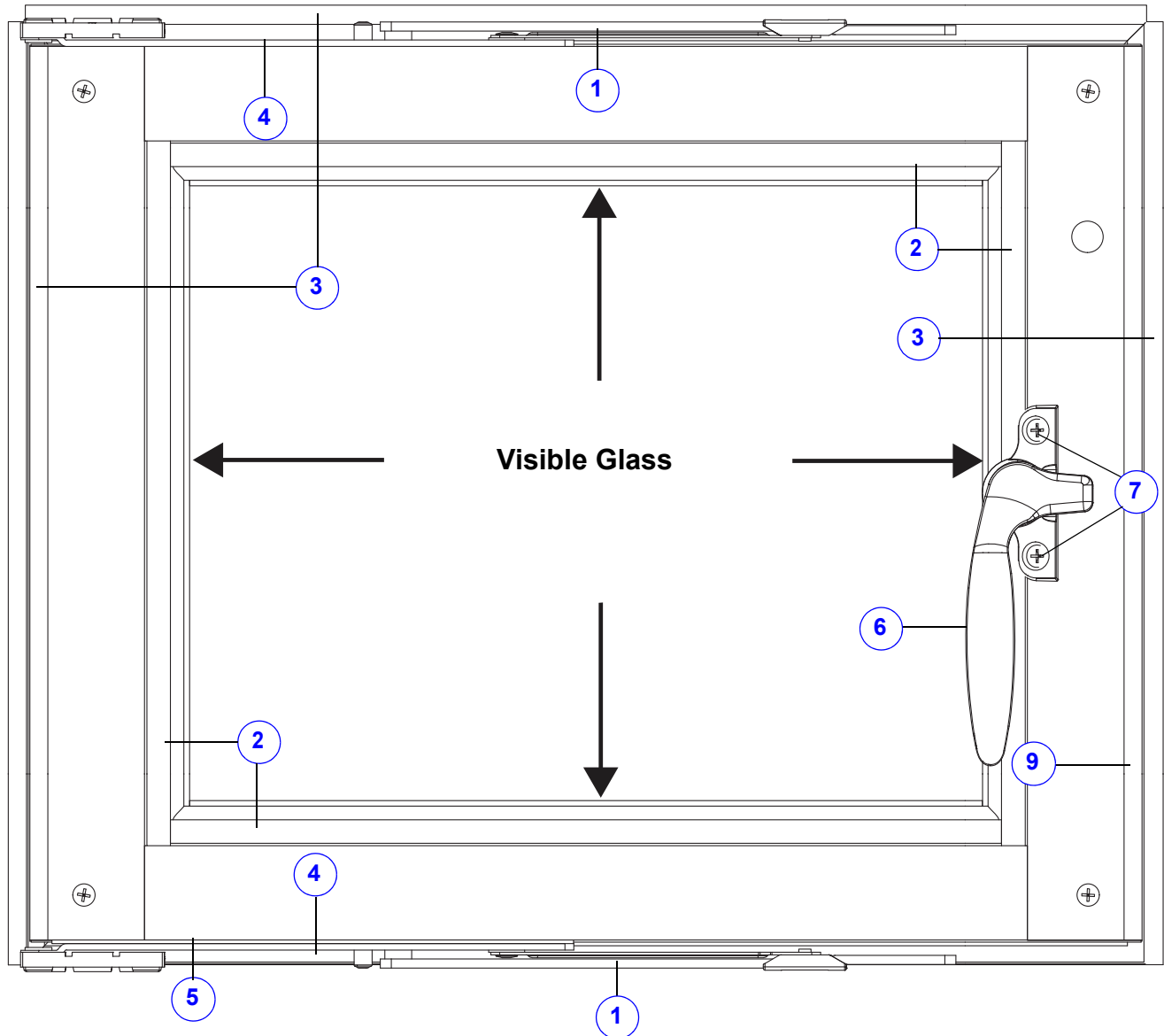
Standard Windows

Sash

Sash Graphic

Note:

Standard Push Out Casement sash shown. See additional [casement types](#).



- 1. [Hinge](#)
- 2. [Stop](#)
- 3. [Weatherstrip](#)
- 4. [Screw \(Hinge\)](#)
- 5. [Hinge Shim](#)
- 6. [Handle](#)
- 7. [Screw \(Handle\)](#)

E-Series Push Out Casement Sash

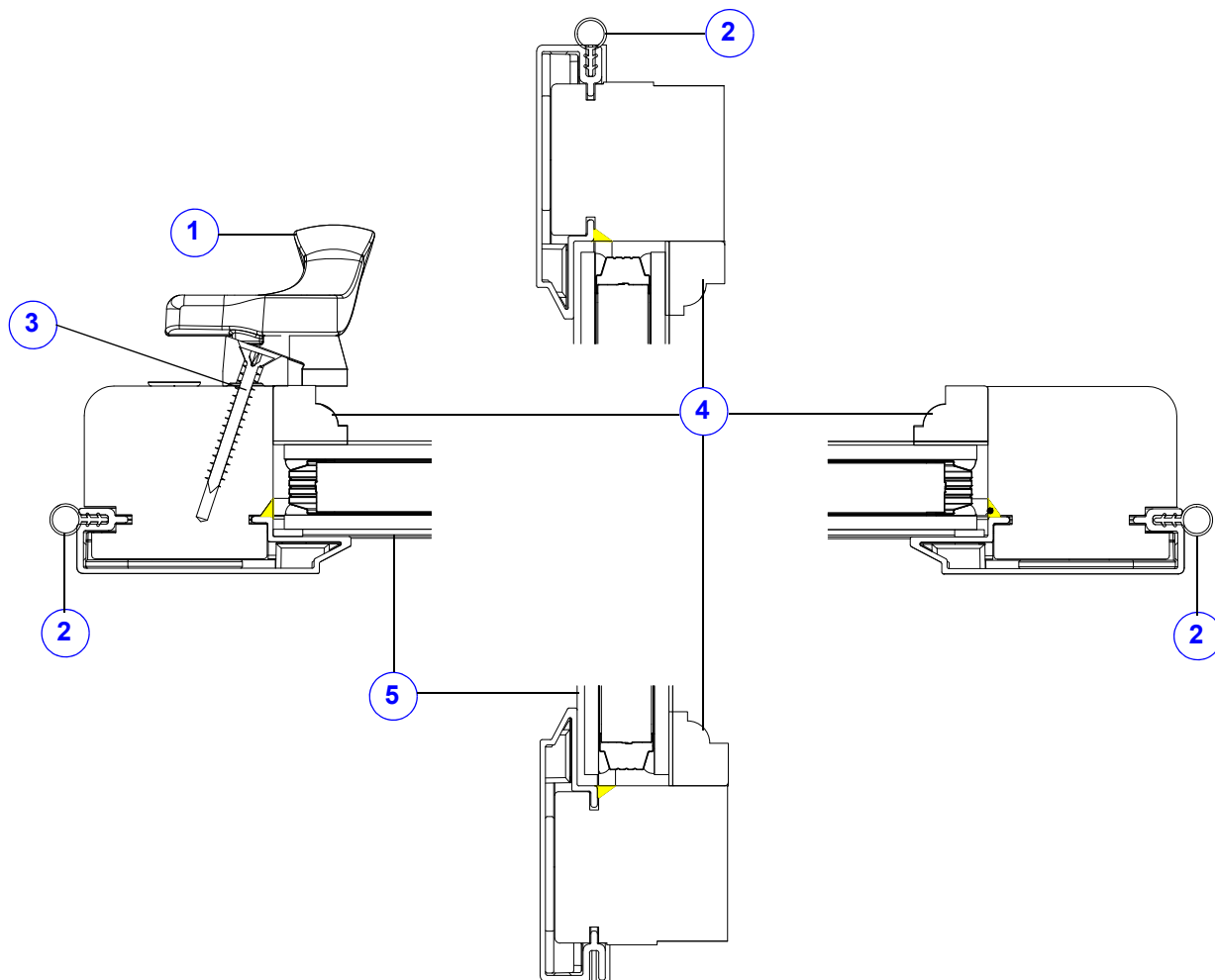
Sash viewed from interior

Sash

Sash Graphic / Detail

Note:

Push Out Casement sash detail shown. See additional [casement types](#).



1. [Handle](#)
2. [Weatherstrip](#)
3. [Screw \(Handle\)](#)
4. [Stop](#)
5. [Glass](#)

Sash

Sash - Operating

Note:

Replacement sash are made to order and can be configured through iQ+. Current glazings replace previous vintage glazings. Product ID label is located on the head jamb.



TEMPERED
UA
16 CFR 1201.11
ANSI Z97.1-2009
SGCC XXXX
CIG-XX Xmm MM/DD/YR
CAN/CGSB 12.1-M90

Exterior color options:

Interior species/finish/color options:

Glass options (See Logo/Etching Examples):

Low-E4®	Low-E4® HeatLock	Low-E4® SmartSun HeatLock
Low-E4® SmartSun™	Low-E4® Smart-Sun HeatLock	Low-E4® Triple-Pane
Low-E4® Passive Sun	Low-E4® Sun Heat-Lock	Low-E4® Smart-Sun Triple-Pane
Low-E4® Sun 3	Low-E4® HeatLock Tempered	Low-E4® Enhanced Triple-Pane
Low-E4® Tempered	Dual Pane Clear	Low-E4® Smart-Sun Enhanced Triple-Pane
Low-E4® SmartSun Tempered	Cascade	Low-E4® Enhanced Triple-Pane Heat-Lock
Low-E4® Passive Sun Tempered	Fern	Low-E4® Smart-Sun Enhanced Triple-Pane HeatLock
Low-E4® Sun Tempered	Reed	


To order, state:

Product ID (from product label, see [Service Guide 9051877](#))

OR

1. Unit or frame size (CPOAX XXXX or frame W x H dimensions)
2. Description of part (Sash)
3. Sash handing (Right, Left, or Stationary)
4. Exterior color of sash to be replaced
5. Interior wood species/finish/color of sash to be replaced
6. Glazing/Grille type
7. Glass Stop Type (Ovolo, Contemporary)
8. Manufacturing Date

Sash

Weatherstrip				
Weatherstrip				
		Color	Size	Order No.
		White	10 ft (120")	9103912
		Black		9103913
		White	25 ft (300")	9103816
Black	9103817			

E-Series Push Out Casement Windows (2012 to 2022)

Standard Windows

Glass

Glass																									
<p>Note: Replacement glass is made to order and can be configured through iQ+. Current glazings replace previous vintage glazings. Product ID label is located on the head jamb. Glass ships with sealant and spacers. See Accessory Guide 9176386.</p>																									
		<p>Exterior color options: Interior species/finish/color options: Glass options (See Logo/Etching Examples):</p> <table border="1"> <thead> <tr> <th>Low-E4®</th> <th>Low-E4® HeatLock</th> <th>Low-E4® SmartSun HeatLock</th> </tr> </thead> <tbody> <tr> <td>Low-E4® SmartSun™</td> <td>Low-E4® Smart-Sun HeatLock</td> <td>Low-E4® Triple-Pane</td> </tr> <tr> <td>Low-E4® Passive Sun</td> <td>Low-E4® Sun Heat-Lock</td> <td>Low-E4® Smart-Sun Triple-Pane</td> </tr> <tr> <td>Low-E4® Sun 3</td> <td>Low-E4® HeatLock Tempered</td> <td>Low-E4® Enhanced Triple-Pane</td> </tr> <tr> <td>Low-E4® Tempered</td> <td>Dual Pane Clear</td> <td>Low-E4® Smart-Sun Enhanced Triple-Pane</td> </tr> <tr> <td>Low-E4® SmartSun Tempered</td> <td>Cascade</td> <td>Low-E4® Enhanced Triple-Pane Heat-Lock</td> </tr> <tr> <td>Low-E4® Passive Sun Tempered</td> <td>Fern</td> <td rowspan="2">Low-E4® Smart-Sun Enhanced Triple-Pane HeatLock</td> </tr> <tr> <td>Low-E4® Sun Tempered</td> <td>Reed</td> </tr> </tbody> </table>	Low-E4®	Low-E4® HeatLock	Low-E4® SmartSun HeatLock	Low-E4® SmartSun™	Low-E4® Smart-Sun HeatLock	Low-E4® Triple-Pane	Low-E4® Passive Sun	Low-E4® Sun Heat-Lock	Low-E4® Smart-Sun Triple-Pane	Low-E4® Sun 3	Low-E4® HeatLock Tempered	Low-E4® Enhanced Triple-Pane	Low-E4® Tempered	Dual Pane Clear	Low-E4® Smart-Sun Enhanced Triple-Pane	Low-E4® SmartSun Tempered	Cascade	Low-E4® Enhanced Triple-Pane Heat-Lock	Low-E4® Passive Sun Tempered	Fern	Low-E4® Smart-Sun Enhanced Triple-Pane HeatLock	Low-E4® Sun Tempered	Reed
Low-E4®	Low-E4® HeatLock	Low-E4® SmartSun HeatLock																							
Low-E4® SmartSun™	Low-E4® Smart-Sun HeatLock	Low-E4® Triple-Pane																							
Low-E4® Passive Sun	Low-E4® Sun Heat-Lock	Low-E4® Smart-Sun Triple-Pane																							
Low-E4® Sun 3	Low-E4® HeatLock Tempered	Low-E4® Enhanced Triple-Pane																							
Low-E4® Tempered	Dual Pane Clear	Low-E4® Smart-Sun Enhanced Triple-Pane																							
Low-E4® SmartSun Tempered	Cascade	Low-E4® Enhanced Triple-Pane Heat-Lock																							
Low-E4® Passive Sun Tempered	Fern	Low-E4® Smart-Sun Enhanced Triple-Pane HeatLock																							
Low-E4® Sun Tempered	Reed																								
<p>TEMPERED UA 16 CFR 1201 II ANSI Z97.1 2009 SGCC XXXX CIG-XX Xmm MM/DD/YR CAN/CGSB 12.1-M90</p>		<p>To order, state: Product ID (from product label, see Service Guide 9051877) OR</p> <ol style="list-style-type: none"> Unit or frame size (CPOAX XXXX or frame W x H dimensions) Description of part (Glass) Glazing/Grille type Glass Stop Type (Ovolo, Contemporary) Manufacturing Date 																							

Glass

Glass Stops

Stops - Top / Bottom / Side

Note:

Stops (top, bottom and side) are made to order.

To order, state:

Product ID (from product label, see [Service Guide 9051877](#))

OR

1. Description of Part/Size (Stop)
2. Color/Species/Finish
3. Location/Handing (Top, Bottom, Side)
4. Type (Ovolo, Contemporary)
5. Manufacturing Date

Interior species/finish/color options

WOOD SPECIES



Pine Maple Oak



Cherry Mahogany * Alder



Mixed Grain Douglas Fir Vertical Grain Douglas Fir Hickory



Walnut White Oak

FACTORY-FINISHED INTERIORS



Clear Coat Wheat Autumn Oak



Golden Hickory Honey Cinnamon



Russet Mocha Espresso

PAINTED OPTIONS



White Birch Bark Primed (for paint)



Canvas Sandtone Terratone



Forest Green Dark Bronze Dove Gray



Prairie Grass Red Rock Cocoa Bean



Black

Painted options available with pine and maple only.

E-Series Push Out Casement Windows (2012 to 2022)

Standard Windows

Glass

Glass Parts			
Glazing Tape			
Note: See Accessory Guide 9064542 .			
		Color	Order No.
		Gray	33751RL
Silicone Bed Glazing			
		Color	Order No.
		Dove Gray	9164412

Insect Screens

Insect Screen

Note:

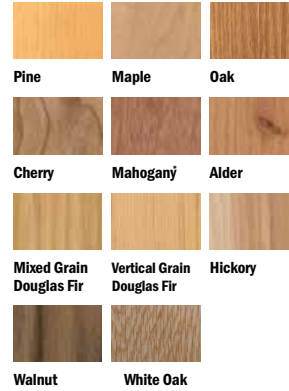
Swinging screens available in fiberglass and aluminum mesh while retractable screens are only available in fiberglass mesh. Replacement insect screens can be configured in iQ+.

Color/finish options



Species/finish/color options

WOOD SPECIES



FACTORY-FINISHED INTERIORS



Swinging Screen



Retractable Screen

E-Series Push Out Casement Windows (2012 to 2022)

Standard Windows

Insect Screens


Insect Screen - Standard Screens

Insect Screen - Standard Screens



Unit No.		Dimensions (w x h)
15 3/4	CPOAX1520	14 5/32 X 19 21/32
	CPOAX1526	14 5/32 X 25 21/32
	CPOAX1528	14 5/32 X 27 21/32
	CPOAX1530	14 5/32 X 31 21/32
	CPOAX1534	14 5/32 X 35 21/32
	CPOAX1540	14 5/32 X 43 21/32
	CPOAX1546	14 5/32 X 49 21/32
	CPOAX1550	14 5/32 X 55 21/32
	CPOAX1556	14 5/32 X 61 21/32
	CPOAX1560	14 5/32 X 67 21/32
18	CPOAX1820	16 13/32 X 19 21/32
	CPOAX1826	16 13/32 X 25 21/32
	CPOAX1828	16 13/32 X 27 21/32
	CPOAX1830	16 13/32 X 31 21/32
	CPOAX1834	16 13/32 X 35 21/32
	CPOAX1840	16 13/32 X 43 21/32
	CPOAX1846	16 13/32 X 49 21/32
	CPOAX1856	16 13/32 X 55 21/32
	CPOAX1866	16 13/32 X 61 21/32
	CPOAX1860	16 13/32 X 67 21/32
20	CPOAX2020	20 13/32 X 19 21/32
	CPOAX2026	20 13/32 X 25 21/32
	CPOAX2028	20 13/32 X 27 21/32
	CPOAX2030	20 13/32 X 31 21/32
	CPOAX2034	20 13/32 X 35 21/32
	CPOAX2040	20 13/32 X 43 21/32
	CPOAX2046	20 13/32 X 49 21/32
	CPOAX2050	20 13/32 X 55 21/32
	CPOAX2056	20 13/32 X 61 21/32
	CPOAX2060	20 13/32 X 67 21/32


Insect Screens

Insect Screen - Standard Screens		
		
Unit No.		Dimensions (w x h)
24	CPOAX2420	24 ¹³ / ₃₂ X 19 ²¹ / ₃₂
	CPOAX2426	24 ¹³ / ₃₂ X 25 ²¹ / ₃₂
	CPOAX2428	24 ¹³ / ₃₂ X 27 ²¹ / ₃₂
	CPOAX2430	24 ¹³ / ₃₂ X 32 ¹³ / ₃₂
	CPOAX2434	24 ¹³ / ₃₂ X 35 ²¹ / ₃₂
	CPOAX2440	24 ¹³ / ₃₂ X 43 ²¹ / ₃₂
	CPOAX2446	24 ¹³ / ₃₂ X 49 ²¹ / ₃₂
	CPOAX2450	24 ¹³ / ₃₂ X 55 ²¹ / ₃₂
	CPOAX2456	24 ¹³ / ₃₂ X 61 ²¹ / ₃₂
	CPOAX2460	24 ¹³ / ₃₂ X 67 ²¹ / ₃₂
26	CPOAX2620	26 ¹³ / ₃₂ X 19 ²¹ / ₃₂
	CPOAX2626	26 ¹³ / ₃₂ X 25 ²¹ / ₃₂
	CPOAX2628	26 ¹³ / ₃₂ X 27 ²¹ / ₃₂
	CPOAX2630	26 ¹³ / ₃₂ X 31 ²¹ / ₃₂
	CPOAX2634	26 ¹³ / ₃₂ X 35 ²¹ / ₃₂
	CPOAX2640	26 ¹³ / ₃₂ X 43 ²¹ / ₃₂
	CPOAX2646	26 ¹³ / ₃₂ X 49 ²¹ / ₃₂
	CPOAX2650	26 ¹³ / ₃₂ X 55 ²¹ / ₃₂
	CPOAX2656	26 ¹³ / ₃₂ X 61 ²¹ / ₃₂
	CPOAX2660	26 ¹³ / ₃₂ X 67 ²¹ / ₃₂
28	CPOAX2820	28 ¹³ / ₃₂ X 19 ²¹ / ₃₂
	CPOAX2826	28 ¹³ / ₃₂ X 25 ²¹ / ₃₂
	CPOAX2828	28 ¹³ / ₃₂ X 27 ²¹ / ₃₂
	CPOAX2830	28 ¹³ / ₃₂ X 31 ²¹ / ₃₂
	CPOAX2834	28 ¹³ / ₃₂ X 35 ²¹ / ₃₂
	CPOAX2840	28 ¹³ / ₃₂ X 43 ²¹ / ₃₂
	CPOAX2846	28 ¹³ / ₃₂ X 49 ²¹ / ₃₂
	CPOAX2850	28 ¹³ / ₃₂ X 55 ²¹ / ₃₂
	CPOAX2856	28 ¹³ / ₃₂ X 61 ²¹ / ₃₂
	CPOAX2860	28 ¹³ / ₃₂ X 67 ²¹ / ₃₂

E-Series Push Out Casement Windows (2012 to 2022)

Standard Windows

Insect Screens

Insect Screen - Standard Screens		
		
Unit No.	Dimensions (w x h)	
30	CPOAX3020	32 ¹³ / ₃₂ X 19 ²¹ / ₃₂
	CPOAX3026	32 ¹³ / ₃₂ X 25 ²¹ / ₃₂
	CPOAX3028	32 ¹³ / ₃₂ X 27 ²¹ / ₃₂
	CPOAX3030	32 ¹³ / ₃₂ X 31 ²¹ / ₃₂
	CPOAX3034	32 ¹³ / ₃₂ X 35 ²¹ / ₃₂
	CPOAX3040	32 ¹³ / ₃₂ X 43 ²¹ / ₃₂
	CPOAX3046	32 ¹³ / ₃₂ X 49 ²¹ / ₃₂
	CPOAX3050	32 ¹³ / ₃₂ X 55 ²¹ / ₃₂
	CPOAX3056	32 ¹³ / ₃₂ X 61 ²¹ / ₃₂
	CPOAX3060	32 ¹³ / ₃₂ X 67 ²¹ / ₃₂

Insect Screen Parts		
Pull		
Note: Typically matches sash handle color.		
		Order No.
		By description

Grilles

Grilles

Note:

Replacement sash with permanently applied grilles and finelight grilles can be configured in iQ+. Replacement removable interior grilles can be configured in iQ+. Removable grilles are only available in 7/8" profile.

Exterior color/finish options

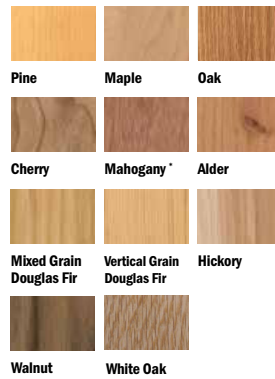


ANNODIZED FINISHES



Interior species/finish/color options

WOOD SPECIES



FACTORY-FINISHED INTERIORS



PAINTED OPTIONS



Painted options available with pine and maple only.

Grille Options

Note:

Replacement sash with permanently applied grilles and finelight grilles can be configured in iQ+. Replacement removable interior grilles can be configured in iQ+. Removable grilles are only available in 7/8" profile.

Types



Full Divided Light

Give any window an authentic look with full divided light grilles that are permanently applied to the interior and exterior of your window with a spacer between the glass.



Simulated Divided Light

An economical solution with traditional beauty, our Simulated Divided Light features fixed exterior and interior grilles without an internal spacer.



Removable Interior Wood Grilles

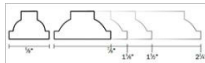
Our removable wood grilles are installed on the interior surface. They are available with an optional surround and an optional permanently applied exterior grille.



Finelight™ Grilles-Between-the-Glass

Aluminum grilles conveniently placed between two panes of glass make the glass easy to clean inside and out.

Profiles



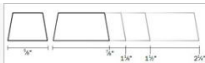
Interior Wood: Ovolo (Colonial)

Widths:

- 5/8"
- 7/8"
- 1 1/8"
- 1 1/2"
- 2 1/4"

Available with:

- Full Divided Light
- Simulated Divided Light



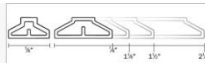
Interior Wood: Contemporary

Widths:

- 5/8"
- 7/8"
- 1 1/8"
- 1 1/2"
- 2 1/4"

Available with:

- Full Divided Light
- Simulated Divided Light



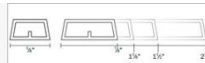
Exterior Aluminum: Chamfer

Widths:

- 5/8"
- 7/8"
- 1 1/8"
- 1 1/2"
- 2 1/4"

Available with:

- Full Divided Light
- Simulated Divided Light
- Removable Interior Wood with Optional Permanently Applied Exterior Grille



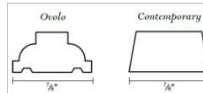
Exterior Aluminum: Contemporary

Widths:

- 5/8"
- 7/8"
- 1 1/8"
- 1 1/2"
- 2 1/4"

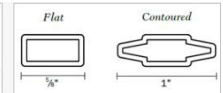
Available with:

- Full Divided Light
- Simulated Divided Light
- Removable Interior Wood with Optional Permanently Applied Exterior Grille



Removable Interior Wood Grilles

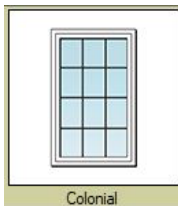
Ovolo or Contemporary profiles in 7/8" width



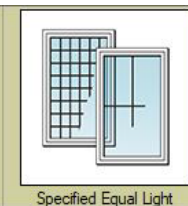
Finelight Grille Profiles and Widths

Flat or Contoured profiles in 5/8" or 1" widths

Patterns



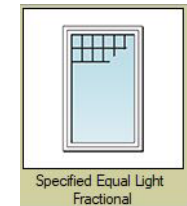
Colonial



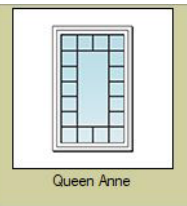
Specified Equal Light



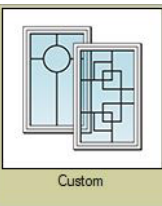
Prairie A



Specified Equal Light Fractional

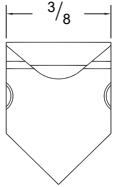
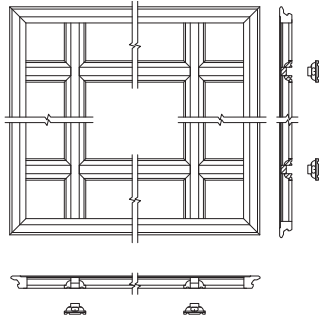
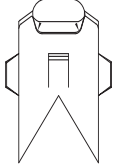
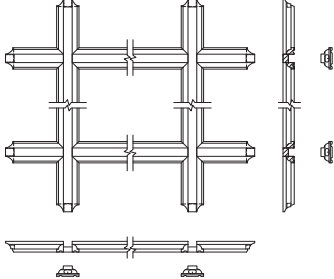


Queen Anne



Custom

Grilles

Interior Grille Parts		
Clip - Surround		
Note: Used with framed removable grilles.		
		Order No. 0004900
Clip - Knocked Down		
Note: Used with knocked down removable grilles.		
		Order No. 0004901

E-Series Push Out Casement Windows (2012 to 2022)

Standard Windows

Hardware

Hinge - Piano

Hinge - Piano

Note:

Secures to sash and frame.

To order, state:

Product ID (from product label, see [Service Guide 9051877](#))

OR

1. Unit height
2. Description of part (Piano Hinge 2")
3. Hinge color (Black, Stainless Steel)

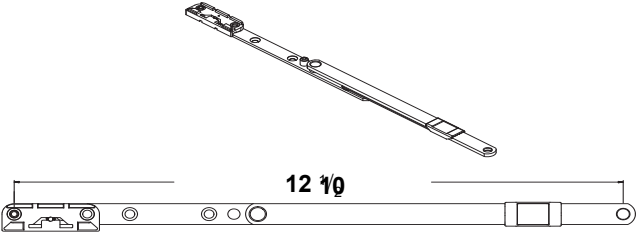
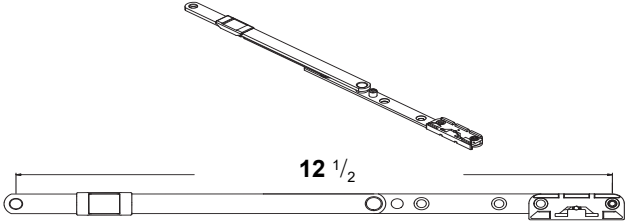
Screw - Piano Hinge

	Description	Order No.
	#6 X 1 1/4 PFHSMS Type AB 18-8 SS	0021983

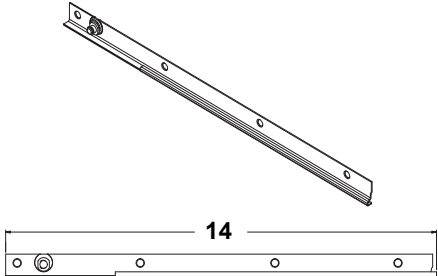
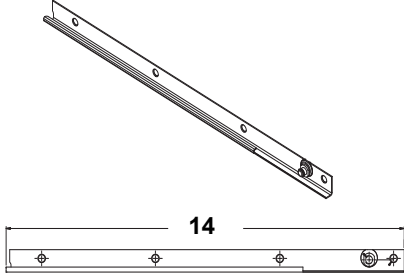
Screw - Piano Hinge (Frame)

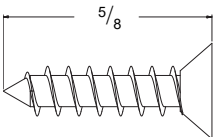
	Description	Order No.
	#7 X 5/8 SS	0015331

Hardware

Hinge Components						
Hinge Arm - Stainless Steel 14"						
Note: Secures to sash.						
 <p>12 1/8</p> <p>LH</p>	 <p>12 1/2</p> <p>RH</p>					
		Standard				
		<table border="1"> <tr> <th>Left</th> <th>Right</th> </tr> <tr> <td>0011423</td> <td>0011424</td> </tr> </table>	Left	Right	0011423	0011424
Left	Right					
0011423	0011424					

Screw - Hinge Arm		
Note: #6 used with hardwoods, #7 used with pine.		
	Description	Order No.
	#6 X 1 1/4 PFHSMS TEKS SS	9105801
	#7 X 1 1/4 PFHSMS Type AB 18-8 SS	0027959

Hinge Track - Stainless Steel 14"						
Note: Secures to sill and head.						
 <p>14</p> <p>LH</p>	 <p>14</p> <p>RH</p>					
		Order No.				
		<table border="1"> <tr> <th>Left</th> <th>Right</th> </tr> <tr> <td>0011425</td> <td>0011426</td> </tr> </table>	Left	Right	0011425	0011426
Left	Right					
0011425	0011426					

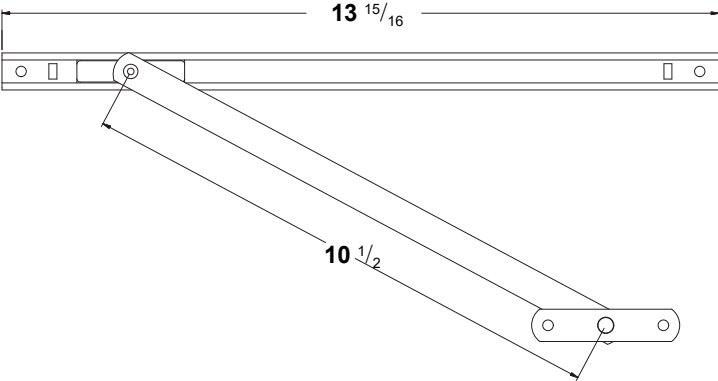
Screw - Hinge Track			
 <p>5/8</p>	Description	Finish	Order No.
	#7 x 5/8" PFHSMS	Stainless Steel	0015331

E-Series Push Out Casement Windows (2012 to 2022)

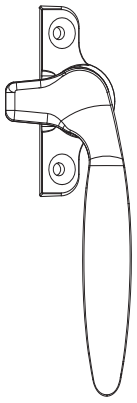
Standard Windows

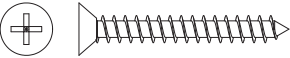
Hardware

Shim - Hinge	
	Order No.
	0011415

Restrictor Arm - 14"	
Note: Use with units that have a frame width greater than 30".	
	
	Head/Sill
	0011481

Hardware

Handles						
Handle / Lock						
Note: Standard LH handle shown. Security handle includes magnet						
	Finish	LH	RH	Security LH	Security RH	
	Black	0044286	0044292	9122519	9122526	
	White	0044290	0044296	9122523	9122530	
	Antique Brass	0044285	0044291	9122517	9122524	
	Brass	0044287	0044293	9122520	9122527	
	Satin Chrome	0044289	0044295	9122522	9122529	
	Bright Chrome	-	-	9122518	9122525	
Oil Rubbed Bronze	0044288	0044294	9122521	9122528		

Screw - Handle			
	Description	Finish	Order No.
	#8 x 1 1/4" FHSMS Type AB	White	0020521
		Antique Brass	0020515
		Brass	0020516
		Satin Chrome	0020517
Oil Rubbed Bronze		0020518	

E-Series Push Out Casement Windows (2012 to 2022)

Standard Windows

Hardware

Locks and Lock Components

Lock Strike			
		Finish	Order No.
		Black	0015984
		Brass	0017136
		White	0015986
		Antique Brass	0017135
		Satin Chrome	0017137
		Oil Rubbed Bronze	0017134

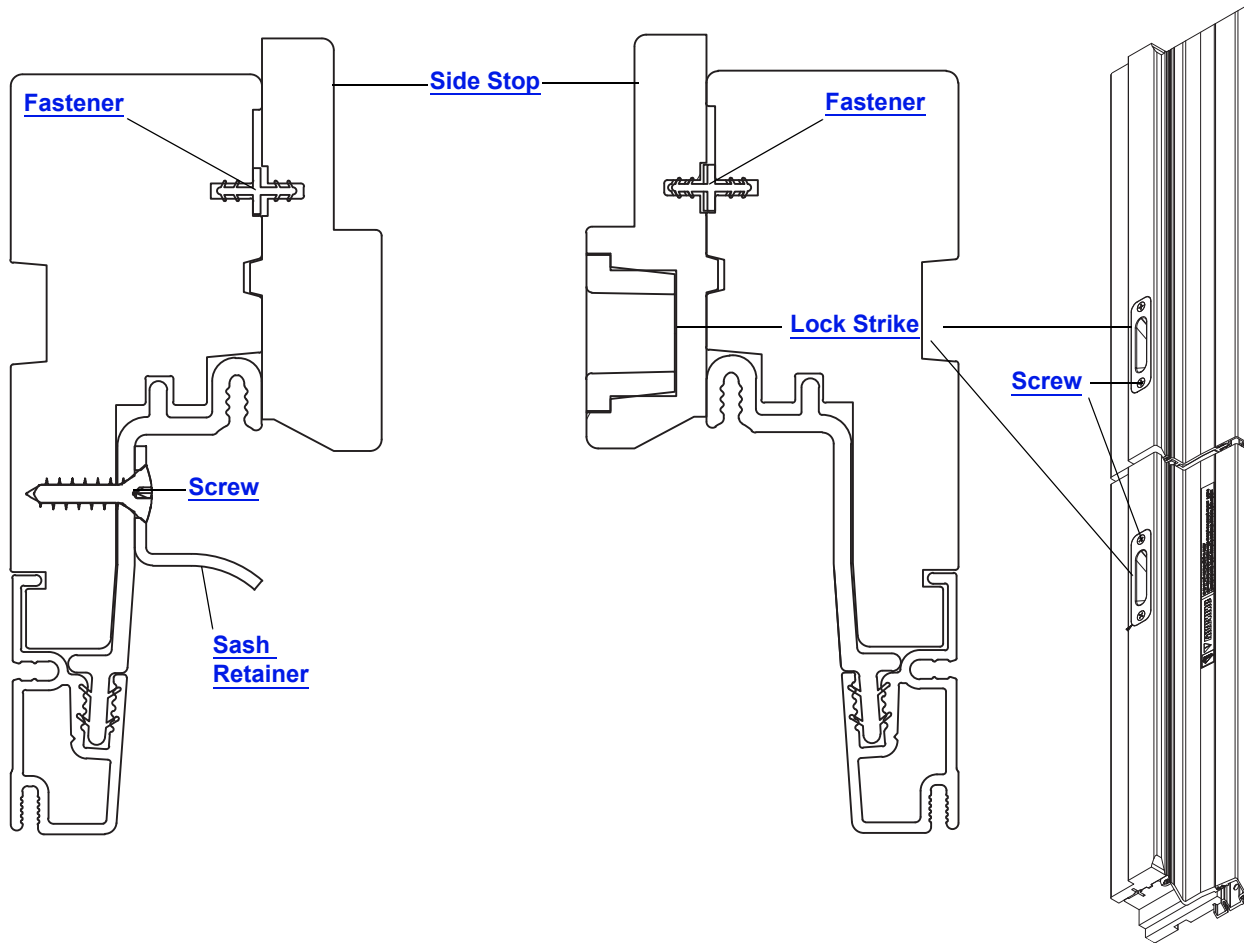
Screw - Lock Strike				
		Description	Finish	Order No.
		#8 X 1 1/4 FHSMS Type AB	Black	0020518
			Brass	0020516
			White	0020521
			Antique Brass	0020515
			Satin Chrome	0020517

Frames

Frame Graphic - Side Jamb

Note:

Standard Push Out Casement unit shown. See additional [casement types](#).



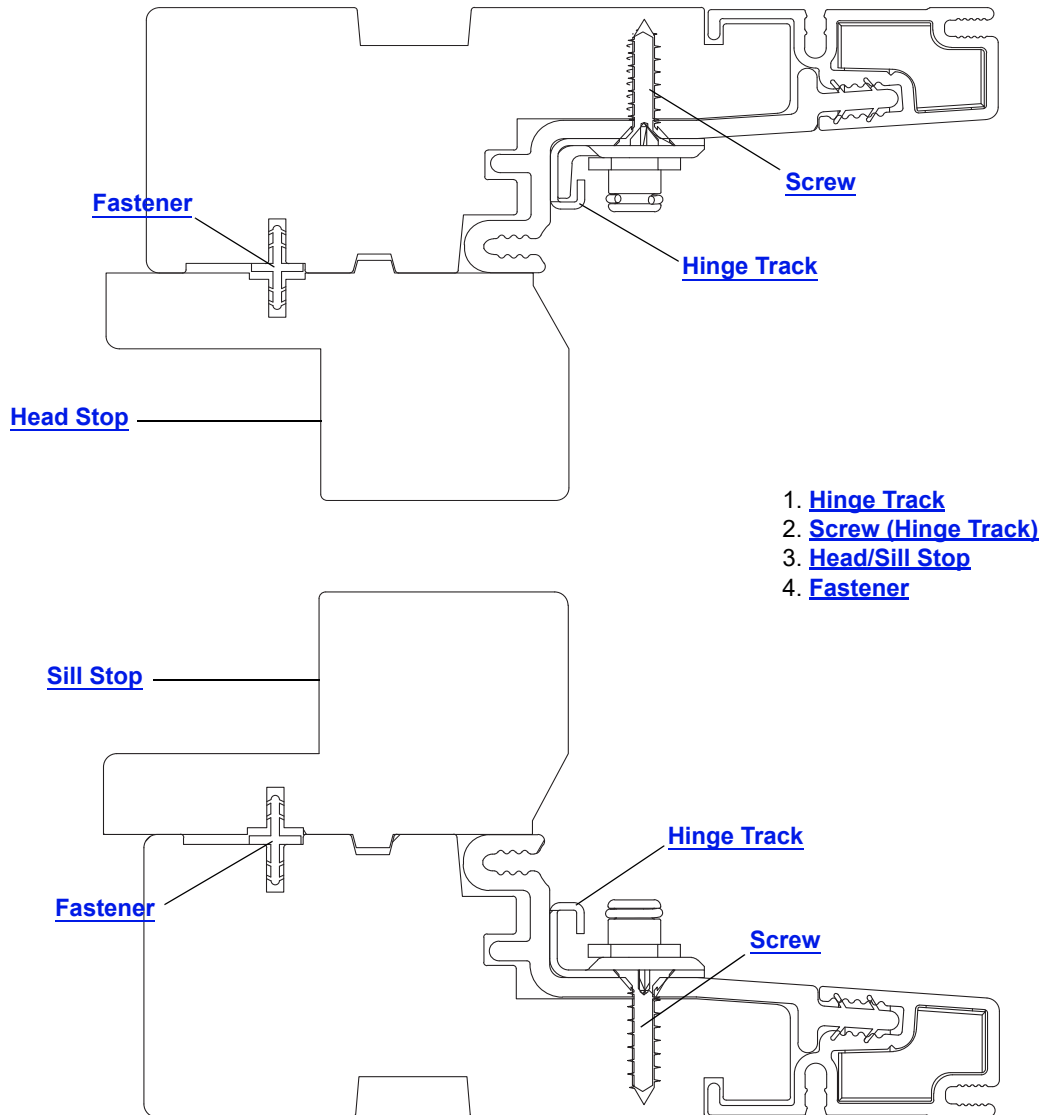
- 1. [Lock Strike](#)
- 2. [Screw \(Lock Strike\)](#)
- 3. [Side Stop](#)
- 4. [Sash Retainer](#)
- 5. [Screw \(Sash Retainer\)](#)
- 6. [Fastener](#)

Push Out Casement Frame (Side Jamb) Assembly

Frame Graphic - Head Jamb and Sill

Note:

See latest [details](#).



Push Out Casement Frame (Head and Sill) Assembly

Frames

Frame

Note:

Replacement frames ship with hardware.

To order, state:

Product ID (from product label, see [Service Guide 9051877](#))

OR

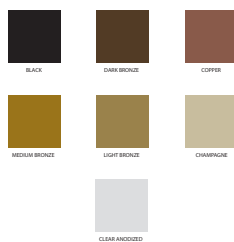
1. Description of Part/Size (CPOAX XXXX or frame W X H dimensions)
2. Colors/Species/Finish
3. Manufacturing Date

Exterior color/finish options

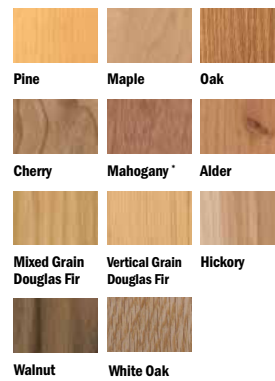
Interior species/finish/color options



ANNODIZED FINISHES



WOOD SPECIES



FACTORY-FINISHED INTERIORS



PAINTED OPTIONS



Stops

Stops - Head / Sill / Side

Note:

Stops (head, sill and side) are made to order.

To order, state:

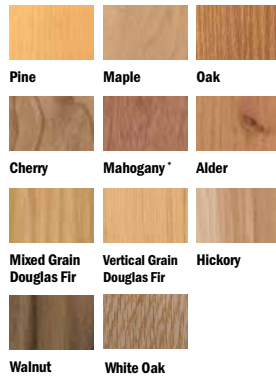
Product ID (from product label, see [Service Guide 9051877](#))

OR

1. Description of Part/Size (Stop)
2. Color/Species/Finish
3. Location/Handing (Head, Sill, Lock Jamb, Hinge Jamb, LH, RH)
4. Manufacturing Date

Interior species/finish/color options

WOOD SPECIES



FACTORY-FINISHED INTERIORS



PAINTED OPTIONS



Frames


Weatherstrip			
Weatherstrip			
		Size	Order No.
		10 ft (120")	9103914
		25 ft (300")	9103915

E-Series Push Out Casement Windows (2012 to 2022)

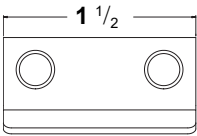
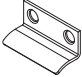
Standard Windows

Frames

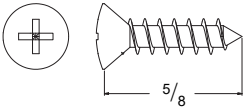
Frame Parts

Fastener			
		Size	Order No.
		3"	000CFS3
		6"	000CFS6
		34"	00CFS34
		55"	00CFS55
		96"	00CFS96

Sash Retainer

 		Finish	Order No.
		Unfinished	9105321

Screw - Sash Retainer

	Description	Finish	Order No.
	#8 X 5/8 POHSMS Type AB SS	Unfinished	0040120

Frames
