

What's in This Section

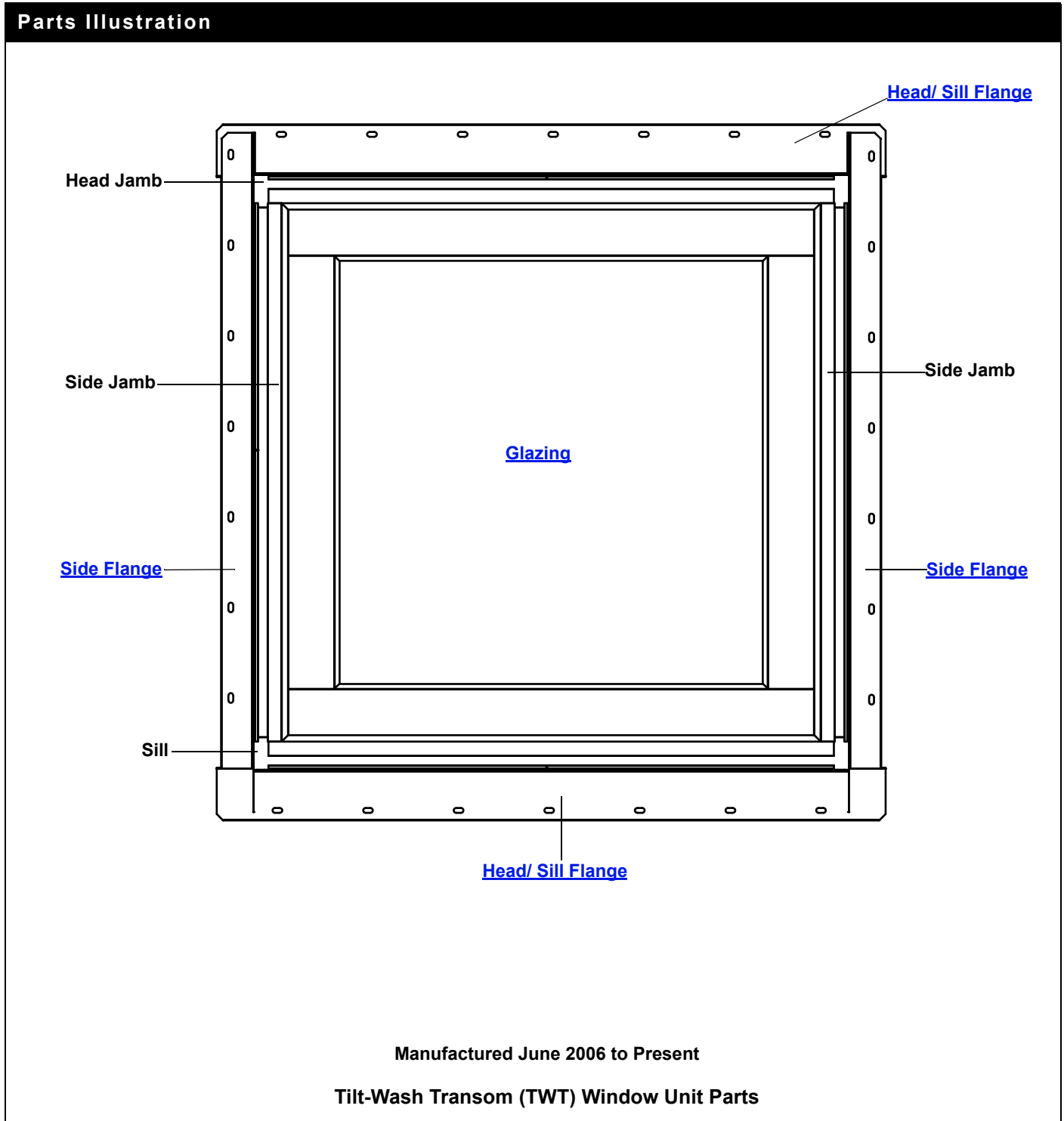
| | |
|--|--------------------|
| Transom Windows | Page 3 |
| Parts Illustration | 3 |
| Unit Sizes | 4 |
| Standard and Custom Window Sizes | 4 |
| 400 Series Product Label | 4 |
| Unit Size Chart - Transom Windows | 5 |
| Product History | 6 |
| Milestones | 6 |
| Glass | 7 |
| Glass Size Table | 7 |
| Glass | 9 |
| Grilles | 11 |
| Interior Grilles with Chisel Plungers <i>(5/2010 to Present)</i> | 11 |
| Interior Grille Parts | 16 |
| Interior Grilles with Clips <i>(2006 to 5/2010)</i> | 17 |
| Interior Grille Parts | 22 |
| Frames | 23 |
| Frame Assembly | 23 |
| Glass Stops | 24 |
| Trim Stops | 26 |
| Filler | 28 |
| Nailing Flanges | 29 |
| Extension Jambs | 30 |
| Extension Jamb / Wood / Lineal | 31 |
| Extension Jamb / Painted / Lineal | 32 |
| Installation Kit | 33 |
| Joining Components | 34 |
| Joining Kits | 34 |
| Joining Kit Components | 34 |
| Art Glass Components | 35 |
| Art Glass Panels | 35 |
| Trim Stops - Art Glass | 35 |
| Stormwatch® Protection (Coastal Product) | Page 37 |
| DP Upgrade and Impact Resistant Window Assembly | 37 |
| Glass (Impact Resistant) | 38 |

| | |
|--|----------------|
| Glass - (Impact Resistant) | 38 |
| Frames (Impact Resistant) | 40 |
| Installation Kit | 40 |
| Glass Stops (Impact Resistant) | 40 |
| Reinforced Stops - Side (Impact Resistant) | 40 |
| Service Replacement | Page 43 |
| Service Replacement Only Parts | 43 |
| Service Replacement Only Parts | 43 |
| Cartons | 43 |

400 Series Tilt-Wash Transom Window (TWT) (2006 to Present)

Transom Windows

Parts Illustration



Unit viewed from exterior.

Unit Sizes

Standard and Custom Window Sizes

Note:

Tilt Wash Transom Windows are available in standard sizes. Replacement parts for some standard windows can be ordered using the numbers listed in this catalog. Some replacement parts for standard windows are made to order. These items are ordered using the Product ID found on the identification label and a description of the part needed. See [Service Guide 9051877](#).

Tilt Wash Transom Windows are also available in custom sizes in 1/8" increments between the smallest and the largest standard sizes. Most replacement parts for custom-sized windows are made to order and can be ordered with the Product ID found on the identification label and a description of the part needed. See [Service Guide 9051877](#).

400 Series Product Label

Note:

Some Tilt Wash Transom Windows will have an identification label **or** glass etching containing a unique Product ID. The Product ID on Tilt Wash Transom Windows will be located at the bottom of the window frame or etched into the glass. See [Service Guide 9051877](#). The Product ID may be up to 14 digits long (excluding hyphens), depending on the age of the unit. Replacement parts will also get their own unique Product ID. When ordering replacement parts, providing the Product ID ensures that replacement parts match the specifications.

400 Series Tilt-Wash Transom Window (TWT) (2006 to Present)

Transom Windows

Unit Sizes

Unit Size Chart - Transom Windows

Note:

Unit Dimension refers to overall outside-to-outside frame. Unobstructed Glass refers to visible glass dimensions. Numbers in parentheses are metric measurements.

Table of Transom Unit Sizes Scale 1/8" = 1'-0" (1:96)

| Unit Dimension | 1'-9 5/8" | 2'-1 5/8" | 2'-5 5/8" | 2'-7 5/8" | 2'-9 5/8" | 2'-11 5/8" | 3'-1 5/8" | 3'-5 5/8" | 3'-9 5/8" |
|-----------------------|-------------|------------|-------------|------------|------------|------------|-----------|-----------|------------|
| Minimum Rough Opening | 1'-10 1/8" | 2'-2 1/8" | 2'-6 1/8" | 2'-8 1/8" | 2'-10 1/8" | 3'-0 1/8" | 3'-2 1/8" | 3'-6 1/8" | 3'-10 1/8" |
| Unobstructed Glass | 15" | 19" | 23" | 25" | 27" | 29" | 31" | 35" | 39" |
| | (380) | (482) | (583) | (635) | (685) | (737) | (787) | (888) | (990) |
| 1'-0" | (305) | (318) | (318) | (318) | (318) | (318) | (318) | (318) | (318) |
| | 1'-0 1/2" | 1'-0 1/2" | 1'-0 1/2" | 1'-0 1/2" | 1'-0 1/2" | 1'-0 1/2" | 1'-0 1/2" | 1'-0 1/2" | 1'-0 1/2" |
| | 5 3/8" | 5 3/8" | 5 3/8" | 5 3/8" | 5 3/8" | 5 3/8" | 5 3/8" | 5 3/8" | 5 3/8" |
| | (136) | (136) | (136) | (136) | (136) | (136) | (136) | (136) | (136) |
| | TWT1810 | TWT2010 | TWT2410 | TWT2610 | TWT2810 | TWT21010 | TWT3010 | TWT3410 | TWT3810 |
| 1'-7 5/16" | (491) | (504) | (504) | (504) | (504) | (504) | (504) | (504) | (504) |
| | 1'-7 7/8" | 1'-7 7/8" | 1'-7 7/8" | 1'-7 7/8" | 1'-7 7/8" | 1'-7 7/8" | 1'-7 7/8" | 1'-7 7/8" | 1'-7 7/8" |
| | 12 11/16" | 12 11/16" | 12 11/16" | 12 11/16" | 12 11/16" | 12 11/16" | 12 11/16" | 12 11/16" | 12 11/16" |
| | (321) | (321) | (321) | (321) | (321) | (321) | (321) | (321) | (321) |
| | TWT1815 | TWT2015 | TWT2415 | TWT2615 | TWT2815 | TWT21015 | TWT3015 | TWT3415 | TWT3815 |
| 1'-9 5/16" | (541) | (555) | (555) | (555) | (555) | (555) | (555) | (555) | (555) |
| | 1'-9 7/8" | 1'-9 7/8" | 1'-9 7/8" | 1'-9 7/8" | 1'-9 7/8" | 1'-9 7/8" | 1'-9 7/8" | 1'-9 7/8" | 1'-9 7/8" |
| | 14 11/16" | 14 11/16" | 14 11/16" | 14 11/16" | 14 11/16" | 14 11/16" | 14 11/16" | 14 11/16" | 14 11/16" |
| | (372) | (372) | (372) | (372) | (372) | (372) | (372) | (372) | (372) |
| | TWT1817 | TWT2017 | TWT2417 | TWT2617 | TWT2817 | TWT21017 | TWT3017 | TWT3417 | TWT3817 |
| 2'-1 5/16" | (643) | (657) | (657) | (657) | (657) | (657) | (657) | (657) | (657) |
| | 2'-1 7/8" | 2'-1 7/8" | 2'-1 7/8" | 2'-1 7/8" | 2'-1 7/8" | 2'-1 7/8" | 2'-1 7/8" | 2'-1 7/8" | 2'-1 7/8" |
| | 18 11/16" | 18 11/16" | 18 11/16" | 18 11/16" | 18 11/16" | 18 11/16" | 18 11/16" | 18 11/16" | 18 11/16" |
| | (474) | (474) | (474) | (474) | (474) | (474) | (474) | (474) | (474) |
| | TWT18111 | TWT20111 | TWT24111 | TWT26111 | TWT28111 | TWT210111 | TWT30111 | TWT34111 | TWT38111 |
| 2'-3 5/16" | (694) | (707) | (707) | (707) | (707) | (707) | (707) | (707) | (707) |
| | 2'-3 7/8" | 2'-3 7/8" | 2'-3 7/8" | 2'-3 7/8" | 2'-3 7/8" | 2'-3 7/8" | 2'-3 7/8" | 2'-3 7/8" | 2'-3 7/8" |
| | 20 11/16" | 20 11/16" | 20 11/16" | 20 11/16" | 20 11/16" | 20 11/16" | 20 11/16" | 20 11/16" | 20 11/16" |
| | (525) | (525) | (525) | (525) | (525) | (525) | (525) | (525) | (525) |
| | TWT1821 | TWT2021 | TWT2421 | TWT2621 | TWT2821 | TWT21021 | TWT3021 | TWT3421 | TWT3821 |
| 2'-5 5/16" | (745) | (758) | (758) | (758) | (758) | (758) | (758) | (758) | (758) |
| | 2'-5 7/8" | 2'-5 7/8" | 2'-5 7/8" | 2'-5 7/8" | 2'-5 7/8" | 2'-5 7/8" | 2'-5 7/8" | 2'-5 7/8" | 2'-5 7/8" |
| | 22 11/16" | 22 11/16" | 22 11/16" | 22 11/16" | 22 11/16" | 22 11/16" | 22 11/16" | 22 11/16" | 22 11/16" |
| | (575) | (575) | (575) | (575) | (575) | (575) | (575) | (575) | (575) |
| | TWT1823 | TWT2023 | TWT2423 | TWT2623 | TWT2823 | TWT21023 | TWT3023 | TWT3423 | TWT3823 |
| 2'-9 5/16" | (846) | (860) | (860) | (860) | (860) | (860) | (860) | (860) | (860) |
| | 2'-9 7/8" | 2'-9 7/8" | 2'-9 7/8" | 2'-9 7/8" | 2'-9 7/8" | 2'-9 7/8" | 2'-9 7/8" | 2'-9 7/8" | 2'-9 7/8" |
| | 26 11/16" | 26 11/16" | 26 11/16" | 26 11/16" | 26 11/16" | 26 11/16" | 26 11/16" | 26 11/16" | 26 11/16" |
| | (677) | (677) | (677) | (677) | (677) | (677) | (677) | (677) | (677) |
| | TWT1827 | TWT2027 | TWT2427 | TWT2627 | TWT2827 | TWT21027 | TWT3027 | TWT3427 | TWT3827 |
| 3'-3 5/16" | (999) | (1012) | (1012) | (1012) | (1012) | (1012) | (1012) | (1012) | (1012) |
| | 3'-3 7/8" | 3'-3 7/8" | 3'-3 7/8" | 3'-3 7/8" | 3'-3 7/8" | 3'-3 7/8" | 3'-3 7/8" | 3'-3 7/8" | 3'-3 7/8" |
| | 32 11/16" | 32 11/16" | 32 11/16" | 32 11/16" | 32 11/16" | 32 11/16" | 32 11/16" | 32 11/16" | 32 11/16" |
| | (829) | (829) | (829) | (829) | (829) | (829) | (829) | (829) | (829) |
| | TWT1831 | TWT2031 | TWT2431 | TWT2631 | TWT2831 | TWT21031 | TWT3031 | TWT3431 | TWT3831 |
| Unit Dimension | 3'-11 5/16" | 4'-3 5/16" | 4'-11 5/16" | 5'-7 5/16" | 6'-3 5/16" | | | | |
| Minimum Rough Opening | 3'-11 7/8" | 4'-3 7/8" | 4'-11 7/8" | 5'-7 7/8" | 6'-3 7/8" | | | | |
| Unobstructed Glass | 41 1/4" | 45 1/4" | 53 1/4" | 61 1/4" | 69 1/4" | | | | |
| | (1048) | (1149) | (1353) | (1556) | (1745) | | | | |
| 1'-0" | (305) | (318) | (318) | (318) | (318) | | | | |
| | 1'-0 1/2" | 1'-0 1/2" | 1'-0 1/2" | 1'-0 1/2" | 1'-0 1/2" | | | | |
| | 6 3/16" | 6 3/16" | 6 3/16" | 6 3/16" | 6 3/16" | | | | |
| | (157) | (157) | (157) | (157) | (157) | | | | |
| | TWT31010 | TWT4210 | TWT41010 | TWT5610 | TWT6210 | | | | |

Tilt-Wash Transom (TWT) Window Unit Sizes

Unit viewed from exterior.

Product History

Milestones

2006 Double-Hung Transom (TWT) Windows introduced

400 Series Tilt-Wash Transom Window (TWT) (2006 to Present)

Transom Windows

Glass

Glass Size Table

Note:

Unobstructed Glass is dimension from outside edge to outside edge of visible glass only. Actual Glass is dimension of outside edge to outside edge of glass, including glass that is not visible.

| Glass Size Table | | |
|------------------|---------------------------------------|---|
| Unit No. | Unobstructed Glass (w x h) | Actual Glass (w x h) |
| TWT1810 | 15 × 5 ³ / ₈ | 16 ²⁹ / ₃₂ × 7 ⁹ / ₃₂ |
| TWT1815 | 15 × 12 ¹¹ / ₁₆ | 16 ²⁹ / ₃₂ × 14 ¹⁹ / ₃₂ |
| TWT1817 | 15 × 14 ¹¹ / ₁₆ | 16 ²⁹ / ₃₂ × 16 ¹⁹ / ₃₂ |
| TWT18111 | 15 × 18 ¹¹ / ₁₆ | 16 ²⁹ / ₃₂ × 20 ¹⁹ / ₃₂ |
| TWT1821 | 15 × 20 ¹¹ / ₁₆ | 16 ²⁹ / ₃₂ × 22 ¹⁹ / ₃₂ |
| TWT1823 | 15 × 22 ¹¹ / ₁₆ | 16 ²⁹ / ₃₂ × 24 ¹⁹ / ₃₂ |
| TWT1827 | 15 × 26 ¹¹ / ₁₆ | 16 ²⁹ / ₃₂ × 28 ¹⁹ / ₃₂ |
| TWT1831 | 15 × 32 ¹¹ / ₁₆ | 16 ²⁹ / ₃₂ × 34 ¹⁹ / ₃₂ |
| TWT2010 | 19 × 5 ³ / ₈ | 20 ²⁹ / ₃₂ × 7 ⁹ / ₃₂ |
| TWT2015 | 19 × 12 ¹¹ / ₁₆ | 20 ²⁹ / ₃₂ × 14 ¹⁹ / ₃₂ |
| TWT2017 | 19 × 14 ¹¹ / ₁₆ | 20 ²⁹ / ₃₂ × 16 ¹⁹ / ₃₂ |
| TWT20111 | 19 × 18 ¹¹ / ₁₆ | 20 ²⁹ / ₃₂ × 20 ¹⁹ / ₃₂ |
| TWT2021 | 19 × 20 ¹¹ / ₁₆ | 20 ²⁹ / ₃₂ × 22 ¹⁹ / ₃₂ |
| TWT2023 | 19 × 22 ¹¹ / ₁₆ | 20 ²⁹ / ₃₂ × 24 ¹⁹ / ₃₂ |
| TWT2027 | 19 × 26 ¹¹ / ₁₆ | 20 ²⁹ / ₃₂ × 28 ¹⁹ / ₃₂ |
| TWT2031 | 19 × 32 ¹¹ / ₁₆ | 20 ²⁹ / ₃₂ × 34 ¹⁹ / ₃₂ |
| TWT2410 | 23 × 5 ³ / ₈ | 24 ²⁹ / ₃₂ × 7 ⁹ / ₃₂ |
| TWT2415 | 23 × 12 ¹¹ / ₁₆ | 24 ²⁹ / ₃₂ × 14 ¹⁹ / ₃₂ |
| TWT2417 | 23 × 14 ¹¹ / ₁₆ | 24 ²⁹ / ₃₂ × 16 ¹⁹ / ₃₂ |
| TWT24111 | 23 × 18 ¹¹ / ₁₆ | 24 ²⁹ / ₃₂ × 20 ¹⁹ / ₃₂ |
| TWT2421 | 23 × 20 ¹¹ / ₁₆ | 24 ²⁹ / ₃₂ × 22 ¹⁹ / ₃₂ |
| TWT2423 | 23 × 22 ¹¹ / ₁₆ | 24 ²⁹ / ₃₂ × 24 ¹⁹ / ₃₂ |
| TWT2427 | 23 × 26 ¹¹ / ₁₆ | 24 ²⁹ / ₃₂ × 28 ¹⁹ / ₃₂ |
| TWT2431 | 23 × 32 ¹¹ / ₁₆ | 24 ²⁹ / ₃₂ × 34 ¹⁹ / ₃₂ |
| TWT2610 | 25 × 5 ³ / ₈ | 26 ²⁹ / ₃₂ × 7 ⁹ / ₃₂ |
| TWT2615 | 25 × 12 ¹¹ / ₁₆ | 26 ²⁹ / ₃₂ × 14 ¹⁹ / ₃₂ |
| TWT2617 | 25 × 14 ¹¹ / ₁₆ | 26 ²⁹ / ₃₂ × 16 ¹⁹ / ₃₂ |
| TWT26111 | 25 × 18 ¹¹ / ₁₆ | 26 ²⁹ / ₃₂ × 20 ¹⁹ / ₃₂ |
| TWT2621 | 25 × 20 ¹¹ / ₁₆ | 26 ²⁹ / ₃₂ × 22 ¹⁹ / ₃₂ |
| TWT2623 | 25 × 22 ¹¹ / ₁₆ | 26 ²⁹ / ₃₂ × 24 ¹⁹ / ₃₂ |
| TWT2627 | 25 × 26 ¹¹ / ₁₆ | 26 ²⁹ / ₃₂ × 28 ¹⁹ / ₃₂ |
| TWT2631 | 25 × 32 ¹¹ / ₁₆ | 26 ²⁹ / ₃₂ × 34 ¹⁹ / ₃₂ |

Glass

| Glass Size Table | | |
|------------------|------------------------------|--|
| Unit No. | Unobstructed Glass (w x h) | Actual Glass (w x h) |
| TWT2810 | $27 \times 5 \frac{3}{8}$ | $28 \frac{29}{32} \times 7 \frac{9}{32}$ |
| TWT2815 | $27 \times 12 \frac{11}{16}$ | $28 \frac{29}{32} \times 14 \frac{19}{32}$ |
| TWT2817 | $27 \times 14 \frac{11}{16}$ | $28 \frac{29}{32} \times 16 \frac{19}{32}$ |
| TWT28111 | $27 \times 18 \frac{11}{16}$ | $28 \frac{29}{32} \times 20 \frac{19}{32}$ |
| TWT2821 | $27 \times 20 \frac{11}{16}$ | $28 \frac{29}{32} \times 22 \frac{19}{32}$ |
| TWT2823 | $27 \times 22 \frac{11}{16}$ | $28 \frac{29}{32} \times 24 \frac{19}{32}$ |
| TWT2827 | $27 \times 26 \frac{11}{16}$ | $28 \frac{29}{32} \times 28 \frac{19}{32}$ |
| TWT2831 | $27 \times 32 \frac{11}{16}$ | $28 \frac{29}{32} \times 34 \frac{19}{32}$ |
| TWT21010 | $29 \times 5 \frac{3}{8}$ | $30 \frac{29}{32} \times 7 \frac{9}{32}$ |
| TWT21015 | $29 \times 12 \frac{11}{16}$ | $30 \frac{29}{32} \times 14 \frac{19}{32}$ |
| TWT21017 | $29 \times 14 \frac{11}{16}$ | $30 \frac{29}{32} \times 16 \frac{19}{32}$ |
| TWT210111 | $29 \times 18 \frac{11}{16}$ | $30 \frac{29}{32} \times 20 \frac{19}{32}$ |
| TWT21021 | $29 \times 20 \frac{11}{16}$ | $30 \frac{29}{32} \times 22 \frac{19}{32}$ |
| TWT21023 | $29 \times 22 \frac{11}{16}$ | $30 \frac{29}{32} \times 24 \frac{19}{32}$ |
| TWT21027 | $29 \times 26 \frac{11}{16}$ | $30 \frac{29}{32} \times 28 \frac{19}{32}$ |
| TWT21031 | $29 \times 32 \frac{11}{16}$ | $30 \frac{29}{32} \times 34 \frac{19}{32}$ |
| TWT3010 | $31 \times 5 \frac{3}{8}$ | $32 \frac{29}{32} \times 7 \frac{9}{32}$ |
| TWT3015 | $31 \times 12 \frac{11}{16}$ | $32 \frac{29}{32} \times 14 \frac{19}{32}$ |
| TWT3017 | $31 \times 14 \frac{11}{16}$ | $32 \frac{29}{32} \times 16 \frac{19}{32}$ |
| TWT30111 | $31 \times 18 \frac{11}{16}$ | $32 \frac{29}{32} \times 20 \frac{19}{32}$ |
| TWT3021 | $31 \times 20 \frac{11}{16}$ | $32 \frac{29}{32} \times 22 \frac{19}{32}$ |
| TWT3023 | $31 \times 22 \frac{11}{16}$ | $32 \frac{29}{32} \times 24 \frac{19}{32}$ |
| TWT3027 | $31 \times 26 \frac{11}{16}$ | $32 \frac{29}{32} \times 28 \frac{19}{32}$ |
| TWT3031 | $31 \times 32 \frac{11}{16}$ | $32 \frac{29}{32} \times 34 \frac{19}{32}$ |
| TWT3410 | $35 \times 5 \frac{3}{8}$ | $36 \frac{29}{32} \times 7 \frac{9}{32}$ |
| TWT3415 | $35 \times 12 \frac{11}{16}$ | $36 \frac{29}{32} \times 14 \frac{19}{32}$ |
| TWT3417 | $35 \times 14 \frac{11}{16}$ | $36 \frac{29}{32} \times 16 \frac{19}{32}$ |
| TWT34111 | $35 \times 18 \frac{11}{16}$ | $36 \frac{29}{32} \times 20 \frac{19}{32}$ |
| TWT3421 | $35 \times 20 \frac{11}{16}$ | $36 \frac{29}{32} \times 22 \frac{19}{32}$ |
| TWT3423 | $35 \times 22 \frac{11}{16}$ | $36 \frac{29}{32} \times 24 \frac{19}{32}$ |
| TWT3427 | $35 \times 26 \frac{11}{16}$ | $36 \frac{29}{32} \times 28 \frac{19}{32}$ |
| TWT3431 | $35 \times 32 \frac{11}{16}$ | $36 \frac{29}{32} \times 34 \frac{19}{32}$ |
| TWT3810 | $39 \times 5 \frac{3}{8}$ | $40 \frac{29}{32} \times 7 \frac{9}{32}$ |
| TWT3815 | $39 \times 12 \frac{11}{16}$ | $40 \frac{29}{32} \times 14 \frac{19}{32}$ |
| TWT3817 | $39 \times 14 \frac{11}{16}$ | $40 \frac{29}{32} \times 16 \frac{19}{32}$ |
| TWT38111 | $39 \times 18 \frac{11}{16}$ | $40 \frac{29}{32} \times 20 \frac{19}{32}$ |
| TWT3821 | $39 \times 20 \frac{11}{16}$ | $40 \frac{29}{32} \times 22 \frac{19}{32}$ |

400 Series Tilt-Wash Transom Window (TWT) (2006 to Present)

Transom Windows

Glass

| Glass Size Table | | |
|------------------|--|---|
| Unit No. | Unobstructed Glass (w x h) | Actual Glass (w x h) |
| TWT3823 | 39 × 22 ¹¹ / ₁₆ | 40 ²⁹ / ₃₂ × 24 ¹⁹ / ₃₂ |
| TWT3827 | 39 × 26 ¹¹ / ₁₆ | 40 ²⁹ / ₃₂ × 28 ¹⁹ / ₃₂ |
| TWT3831 | 39 × 32 ¹¹ / ₁₆ | 40 ²⁹ / ₃₂ × 34 ¹⁹ / ₃₂ |
| TWT31010 | 41 ¹ / ₄ × 5 ³ / ₈ | 42 ⁹ / ₃₂ × 7 ⁹ / ₃₂ |
| TWT4210 | 45 ¹ / ₄ × 5 ³ / ₈ | 46 ⁹ / ₃₂ × 7 ⁹ / ₃₂ |
| TWT41010 | 53 ¹ / ₄ × 5 ³ / ₈ | 54 ⁹ / ₃₂ × 7 ⁹ / ₃₂ |
| TWT5610 | 61 ¹ / ₄ × 5 ³ / ₈ | 62 ⁹ / ₃₂ × 7 ⁹ / ₃₂ |
| TWT6210 | 69 ¹ / ₄ × 5 ³ / ₈ | 70 ⁹ / ₃₂ × 7 ⁹ / ₃₂ |

Glass

| Glass - High-Performance™ Low-E4® | | | | | |
|-----------------------------------|-----------|----------|-----------|----------|-----------|
| Unit No. | Order No. | Unit No. | Order No. | Unit No. | Order No. |
| TWT1810 | 1640701 | TWT2417 | 1640727 | TWT3021 | 1641021 |
| TWT1815 | 1640702 | TWT24111 | 1641001 | TWT3023 | 1641022 |
| TWT1817 | 1640703 | TWT2421 | 1640728 | TWT3027 | 1641023 |
| TWT18111 | 1640708 | TWT2423 | 1640729 | TWT3031 | 1641024 |
| TWT1821 | 1640704 | TWT2427 | 1640730 | TWT31010 | 1641026 |
| TWT1823 | 1640705 | TWT2431 | 1640731 | TWT3410 | 1641027 |
| TWT1827 | 1640706 | TWT2610 | 1641002 | TWT3415 | 1641030 |
| TWT1831 | 1640707 | TWT2615 | 1641003 | TWT3417 | 1641031 |
| TWT2010 | 1640709 | TWT2617 | 1641004 | TWT34111 | 1641036 |
| TWT2015 | 1640710 | TWT26111 | 1641009 | TWT3421 | 1641032 |
| TWT2017 | 1640711 | TWT2621 | 1641005 | TWT3423 | 1641033 |
| TWT20111 | 1640716 | TWT2623 | 1641006 | TWT3427 | 1641034 |
| TWT2021 | 1640712 | TWT2627 | 1641007 | TWT3431 | 1641035 |
| TWT2023 | 1640713 | TWT2631 | 1641008 | TWT3810 | 1641037 |
| TWT2027 | 1640714 | TWT2810 | 1641010 | TWT3815 | 1641038 |
| TWT2031 | 1640715 | TWT2815 | 1641011 | TWT3817 | 1641039 |
| TWT21010 | 1640717 | TWT2817 | 1641012 | TWT38111 | 1641044 |
| TWT21015 | 1640718 | TWT28111 | 1641017 | TWT3821 | 1641040 |
| TWT21017 | 1640719 | TWT2821 | 1641013 | TWT3823 | 1641041 |
| TWT210111 | 1640724 | TWT2823 | 1641014 | TWT3827 | 1641042 |
| TWT21021 | 1640720 | TWT2827 | 1641015 | TWT3831 | 1641043 |
| TWT21023 | 1640721 | TWT2831 | 1641016 | TWT41010 | 1641045 |
| TWT21027 | 1640722 | TWT3010 | 1641018 | TWT4210 | 1641046 |
| TWT21031 | 1640723 | TWT3015 | 1641019 | TWT5610 | 1641047 |
| TWT2410 | 1640725 | TWT3017 | 1641020 | TWT6210 | 1641048 |
| TWT2415 | 1640726 | TWT30111 | 1641025 | | |

Glass

| Glass - High-Performance™ Low-E4® Sun 3 | | | | | |
|--|------------------|-----------------|------------------|-----------------|------------------|
| Unit No. | Order No. | Unit No. | Order No. | Unit No. | Order No. |
| TWT1810 | 1641333 | TWT2417 | 1641359 | TWT3021 | 1641384 |
| TWT1815 | 1641334 | TWT24111 | 1641364 | TWT3023 | 1641385 |
| TWT1817 | 1641335 | TWT2421 | 1641360 | TWT3027 | 1641386 |
| TWT18111 | 1641340 | TWT2423 | 1641361 | TWT3031 | 1641387 |
| TWT1821 | 1641336 | TWT2427 | 1641362 | TWT31010 | 1641402 |
| TWT1823 | 1641337 | TWT2431 | 1641363 | TWT3410 | 1641403 |
| TWT1827 | 1641338 | TWT2610 | 1641365 | TWT3415 | 1641404 |
| TWT1831 | 1641339 | TWT2615 | 1641366 | TWT3417 | 1641405 |
| TWT2010 | 1641341 | TWT2617 | 1641367 | TWT34111 | 1641410 |
| TWT2015 | 1641342 | TWT26111 | 1641372 | TWT3421 | 1641406 |
| TWT2017 | 1641343 | TWT2621 | 1641368 | TWT3423 | 1641407 |
| TWT20111 | 1641348 | TWT2623 | 1641369 | TWT3427 | 1641408 |
| TWT2021 | 1641344 | TWT2627 | 1641370 | TWT3431 | 1641409 |
| TWT2023 | 1641345 | TWT2631 | 1641371 | TWT3810 | 1641411 |
| TWT2027 | 1641346 | TWT2810 | 1641373 | TWT3815 | 1641412 |
| TWT2031 | 1641347 | TWT2815 | 1641374 | TWT3817 | 1641413 |
| TWT21010 | 1641349 | TWT2817 | 1641375 | TWT38111 | 1641418 |
| TWT21015 | 1641350 | TWT28111 | 1641380 | TWT3821 | 1641414 |
| TWT21017 | 1641351 | TWT2821 | 1641376 | TWT3823 | 1641415 |
| TWT210111 | 1641356 | TWT2823 | 1641377 | TWT3827 | 1641416 |
| TWT21021 | 1641352 | TWT2827 | 1641378 | TWT3831 | 1641417 |
| TWT21023 | 1641353 | TWT2831 | 1641379 | TWT41010 | 1641419 |
| TWT21027 | 1641354 | TWT3010 | 1641381 | TWT4210 | 1641420 |
| TWT21031 | 1641355 | TWT3015 | 1641382 | TWT5610 | 1641421 |
| TWT2410 | 1641357 | TWT3017 | 1641383 | TWT6210 | 1641422 |
| TWT2415 | 1641358 | TWT30111 | 1641401 | | |

400 Series Tilt-Wash Transom Window (TWT) (2006 to Present)

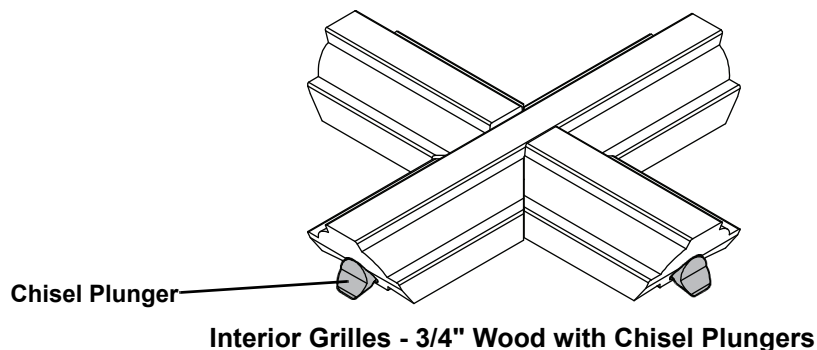
Transom Windows

Grilles

Interior Grilles with Chisel Plungers (5/2010 to Present)

Note:

Grilles include fasteners. See [Accessory Guide 9033637](#).



| Interior Grille with Chisel Plungers - Colonial / 3/4" Wood / Maple Interior (5/2010 – Present) | | | | | | | | | |
|---|--------------------|-------------------|-------------|----------|--------------|---------|-------------|----------------|---------|
| Unit No. | Dimensions (w x h) | Color/Species | | | | | | | |
| | | Exterior | | | | | | Maple Interior | |
| | | White | Terra-tone® | Sandtone | Forest Green | Canvas | Dark Bronze | Black | |
| | TWT10 | 5 11/16 | 9039078 | 9039159 | 9038744 | 9038488 | 9047707 | 9072428 | 9127607 |
| 18 | TWT1815 | 15 1/4 x 12 31/32 | 9038955 | 9039104 | 9038645 | 9038489 | 9047708 | 9072429 | 9127608 |
| | TWT1817 | 15 1/4 x 14 31/32 | 9038956 | 9039105 | 9038646 | 9038490 | 9047709 | 9072430 | 9127609 |
| | TWT18111 | 15 1/4 x 18 31/32 | 9038957 | 9039106 | 9038647 | 9038491 | 9047710 | 9072431 | 9127610 |
| | TWT1821 | 15 1/4 x 20 31/32 | 9038958 | 9039107 | 9038648 | 9038492 | 9047711 | 9072432 | 9127611 |
| | TWT1823 | 15 1/4 x 22 31/32 | 9038959 | 9039108 | 9038649 | 9038493 | 9047712 | 9072433 | 9127612 |
| | TWT1827 | 15 1/4 x 26 31/32 | 9038960 | 9039109 | 9038650 | 9038494 | 9047713 | 9072434 | 9127613 |
| | TWT1831 | 15 1/4 x 32 31/32 | 9038961 | 9039110 | 9038651 | 9038495 | 9047714 | 9072435 | 9127614 |
| 20 | TWT2015 | 19 1/4 x 12 31/32 | 9038962 | 9039111 | 9038652 | 9038496 | 9047715 | 9072436 | 9127615 |
| | TWT2017 | 19 1/4 x 14 31/32 | 9038963 | 9039112 | 9038653 | 9038497 | 9047716 | 9072437 | 9127616 |
| | TWT20111 | 19 1/4 x 18 31/32 | 9038964 | 9039113 | 9038654 | 9038498 | 9047717 | 9072438 | 9127617 |
| | TWT2021 | 19 1/4 x 20 31/32 | 9038965 | 9039114 | 9038655 | 9038499 | 9047718 | 9072439 | 9127618 |
| | TWT2023 | 19 1/4 x 22 31/32 | 9038966 | 9039115 | 9038656 | 9038500 | 9047719 | 9072440 | 9127619 |
| | TWT2027 | 19 1/4 x 26 31/32 | 9038967 | 9039116 | 9038657 | 9038501 | 9047720 | 9072441 | 9127620 |
| | TWT2031 | 19 1/4 x 32 31/32 | 9038968 | 9039117 | 9038658 | 9038502 | 9047721 | 9072442 | 9127621 |

Grilles

| Interior Grille with Chisel Plungers - Colonial / 3/4" Wood / Maple Interior (5/2010 – Present) | | | | | | | | | |
|---|--------------------|-------------------|-------------|----------|--------------|---------|-------------|---------|---------|
| Unit No. | Dimensions (w x h) | Color/Species | | | | | | | |
| | | Exterior | | | | | | | |
| | | White | Terra-tone® | Sandtone | Forest Green | Canvas | Dark Bronze | Black | |
| | | Maple Interior | | | | | | | |
| 210 | TWT21015 | 29 1/4 x 12 31/32 | 9039049 | 9039210 | 9038745 | 9038538 | 9047757 | 9072478 | 9127657 |
| | TWT21017 | 29 1/4 x 14 31/32 | 9039050 | 9039211 | 9038746 | 9038539 | 9047758 | 9072479 | 9127658 |
| | TWT210111 | 29 1/4 x 18 31/32 | 9039055 | 9039216 | 9038751 | 9038544 | 9047763 | 9072484 | 9127663 |
| | TWT21021 | 29 1/4 x 20 31/32 | 9039051 | 9039212 | 9038747 | 9038540 | 9047759 | 9072480 | 9127659 |
| | TWT21023 | 29 1/4 x 22 31/32 | 9039052 | 9039213 | 9038748 | 9038541 | 9047760 | 9072481 | 9127660 |
| | TWT21027 | 29 1/4 x 26 31/32 | 9039053 | 9039214 | 9038749 | 9038542 | 9047761 | 9072482 | 9127661 |
| | TWT21031 | 29 1/4 x 32 31/32 | 9039054 | 9039215 | 9038750 | 9038543 | 9047762 | 9072483 | 9127662 |
| 24 | TWT2415 | 23 1/4 x 12 31/32 | 9038969 | 9039118 | 9038659 | 9038503 | 9047722 | 9072443 | 9127622 |
| | TWT2417 | 23 1/4 x 14 31/32 | 9038970 | 9039119 | 9038660 | 9038504 | 9047723 | 9072444 | 9127623 |
| | TWT24111 | 23 1/4 x 18 31/32 | 9038971 | 9039120 | 9038661 | 9038505 | 9047724 | 9072445 | 9127624 |
| | TWT2421 | 23 1/4 x 20 31/32 | 9038972 | 9039121 | 9038662 | 9038506 | 9047725 | 9072446 | 9127625 |
| | TWT2423 | 23 1/4 x 22 31/32 | 9038973 | 9039122 | 9038663 | 9038507 | 9047726 | 9072447 | 9127626 |
| | TWT2427 | 23 1/4 x 26 31/32 | 9038974 | 9039123 | 9038664 | 9038508 | 9047727 | 9072448 | 9127627 |
| | TWT2431 | 23 1/4 x 32 31/32 | 9038975 | 9039124 | 9038665 | 9038509 | 9047728 | 9072449 | 9127628 |
| 26 | TWT2615 | 25 1/4 x 12 31/32 | 9039056 | 9039217 | 9038752 | 9038545 | 9047764 | 9072485 | 9127664 |
| | TWT2617 | 25 1/4 x 14 31/32 | 9039057 | 9039218 | 9038753 | 9038546 | 9047765 | 9072486 | 9127665 |
| | TWT26111 | 25 1/4 x 18 31/32 | 9039062 | 9039223 | 9038758 | 9038551 | 9047770 | 9072491 | 9127670 |
| | TWT2621 | 25 1/4 x 20 31/32 | 9039058 | 9039219 | 9038754 | 9038547 | 9047766 | 9072487 | 9127666 |
| | TWT2623 | 25 1/4 x 22 31/32 | 9039059 | 9039220 | 9038755 | 9038548 | 9047767 | 9072488 | 9127667 |
| | TWT2627 | 25 1/4 x 26 31/32 | 9039060 | 9039221 | 9038756 | 9038549 | 9047768 | 9072489 | 9127668 |
| | TWT2631 | 25 1/4 x 32 31/32 | 9039061 | 9039222 | 9038757 | 9038550 | 9047769 | 9072490 | 9127669 |
| 28 | TWT2815 | 27 1/4 x 12 31/32 | 9038976 | 9039125 | 9038666 | 9038510 | 9047729 | 9072450 | 9127629 |
| | TWT2817 | 27 1/4 x 14 31/32 | 9038977 | 9039126 | 9038667 | 9038511 | 9047730 | 9072451 | 9127630 |
| | TWT28111 | 27 1/4 x 18 31/32 | 9038978 | 9039127 | 9038668 | 9038512 | 9047731 | 9072452 | 9127631 |
| | TWT2821 | 27 1/4 x 20 31/32 | 9038979 | 9039128 | 9038669 | 9038513 | 9047732 | 9072453 | 9127632 |
| | TWT2823 | 27 1/4 x 22 31/32 | 9038980 | 9039129 | 9038670 | 9038514 | 9047733 | 9072454 | 9127633 |
| | TWT2827 | 27 1/4 x 26 31/32 | 9038981 | 9039130 | 9038671 | 9038515 | 9047734 | 9072455 | 9127634 |
| | TWT2831 | 27 1/4 x 32 31/32 | 9038982 | 9039131 | 9038672 | 9038516 | 9047735 | 9072456 | 9127635 |

400 Series Tilt-Wash Transom Window (TWT) (2006 to Present)

Transom Windows

Grilles

| Interior Grille with Chisel Plungers - Colonial / 3/4" Wood / Maple Interior (5/2010 – Present) | | | | | | | | | |
|---|-----------------------|-------------------|-----------------|----------|-----------------|---------|----------------|---------|---------|
| Unit No. | Dimensions (w x h) | Color/Species | | | | | | | |
| | | Exterior | | | | | | | |
| | | White | Terra- tone® | Sandtone | Forest Green | Canvas | Dark Bronze | Black | |
| | | Maple Interior | | | | | | | |
| 30 | TWT3015 | 31 1/4 x 12 31/32 | 9038983 | 9039132 | 9038673 | 9038517 | 9047736 | 9072457 | 9127636 |
| | TWT3017 | 31 1/4 x 14 31/32 | 9038984 | 9039133 | 9038674 | 9038518 | 9047737 | 9072458 | 9127637 |
| | TWT30111 | 31 1/4 x 18 31/32 | 9038985 | 9039134 | 9038675 | 9038519 | 9047738 | 9072459 | 9127638 |
| | TWT3021 | 31 1/4 x 20 31/32 | 9038986 | 9039135 | 9038676 | 9038520 | 9047739 | 9072460 | 9127639 |
| | TWT3023 | 31 1/4 x 22 31/32 | 9038987 | 9039136 | 9038677 | 9038521 | 9047740 | 9072461 | 9127640 |
| | TWT3027 | 31 1/4 x 26 31/32 | 9038988 | 9039137 | 9038678 | 9038522 | 9047741 | 9072462 | 9127641 |
| | TWT3031 | 31 1/4 x 32 31/32 | 9038989 | 9039138 | 9038679 | 9038523 | 9047742 | 9072463 | 9127642 |
| 34 | TWT3415 | 35 1/4 x 12 31/32 | 9038990 | 9039139 | 9038680 | 9038524 | 9047743 | 9072464 | 9127643 |
| | TWT3417 | 35 1/4 x 14 31/32 | 9038991 | 9039140 | 9038681 | 9038525 | 9047744 | 9072465 | 9127644 |
| | TWT34111 | 35 1/4 x 18 31/32 | 9038992 | 9039141 | 9038682 | 9038526 | 9047745 | 9072466 | 9127645 |
| | TWT3421 | 35 1/4 x 20 31/32 | 9038993 | 9039142 | 9038683 | 9038527 | 9047746 | 9072467 | 9127646 |
| | TWT3423 | 35 1/4 x 22 31/32 | 9038994 | 9039143 | 9038684 | 9038528 | 9047747 | 9072468 | 9127647 |
| | TWT3427 | 35 1/4 x 26 31/32 | 9038995 | 9039144 | 9038685 | 9038529 | 9047748 | 9072469 | 9127648 |
| | TWT3431 | 35 1/4 x 32 31/32 | 9038996 | 9039145 | 9038686 | 9038530 | 9047749 | 9072470 | 9127649 |
| 38 | TWT3815 | 39 1/4 x 12 31/32 | 9038997 | 9039146 | 9038687 | 9038531 | 9047750 | 9072471 | 9127650 |
| | TWT3817 | 39 1/4 x 14 31/32 | 9038998 | 9039147 | 9038688 | 9038532 | 9047751 | 9072472 | 9127651 |
| | TWT38111 | 39 1/4 x 18 31/32 | 9038999 | 9039148 | 9038689 | 9038533 | 9047752 | 9072473 | 9127652 |
| | TWT3821 | 39 1/4 x 20 31/32 | 9039000 | 9039149 | 9038690 | 9038534 | 9047753 | 9072474 | 9127653 |
| | TWT3823 | 39 1/4 x 22 31/32 | 9039001 | 9039150 | 9038691 | 9038535 | 9047754 | 9072475 | 9127654 |
| | TWT3827 | 39 1/4 x 26 31/32 | 9039002 | 9039151 | 9038692 | 9038536 | 9047755 | 9072476 | 9127655 |
| | TWT3831 | 39 1/4 x 32 31/32 | 9039003 | 9039152 | 9038693 | 9038537 | 9047756 | 9072477 | 9127656 |

Grilles

| Interior Grille with Chisel Plungers - Colonial / 3/4" Prefinished Interior (May 2010 – Present) | | | | | |
|--|-----------|--------------------|----------|------------|----------|
| Unit No. | | Dimensions (w x h) | Color | | |
| | | | Exterior | | |
| | | | White | Terratone® | Sandtone |
| | | | Interior | | |
| | | | White | Terratone® | Sandtone |
| | TWT10 | 5 11/16 | 9039077 | 9039160 | 9038694 |
| 18 | TWT1815 | 15 1/4 x 12 31/32 | 9039079 | 9039161 | 9038695 |
| | TWT1817 | 15 1/4 x 14 31/32 | 9039080 | 9039162 | 9038696 |
| | TWT18111 | 15 1/4 x 18 31/32 | 9039081 | 9039163 | 9038697 |
| | TWT1821 | 15 1/4 x 20 31/32 | 9039082 | 9039164 | 9038698 |
| | TWT1823 | 15 1/4 x 22 31/32 | 9039004 | 9039165 | 9038699 |
| | TWT1827 | 15 1/4 x 26 31/32 | 9039005 | 9039166 | 9038700 |
| | TWT1831 | 15 1/4 x 32 31/32 | 9039006 | 9039167 | 9038701 |
| 20 | TWT2015 | 19 1/4 x 12 31/32 | 9039007 | 9039168 | 9038702 |
| | TWT2017 | 19 1/4 x 14 31/32 | 9039008 | 9039169 | 9038703 |
| | TWT20111 | 19 1/4 x 18 31/32 | 9039009 | 9039170 | 9038704 |
| | TWT2021 | 19 1/4 x 20 31/32 | 9039010 | 9039171 | 9038705 |
| | TWT2023 | 19 1/4 x 22 31/32 | 9039011 | 9039172 | 9038706 |
| | TWT2027 | 19 1/4 x 26 31/32 | 9039012 | 9039173 | 9038707 |
| | TWT2031 | 19 1/4 x 32 31/32 | 9039013 | 9039174 | 9038708 |
| 210 | TWT21015 | 29 1/4 x 12 31/32 | 9039063 | 9039224 | 9038759 |
| | TWT21017 | 29 1/4 x 14 31/32 | 9039064 | 9039225 | 9038760 |
| | TWT210111 | 29 1/4 x 18 31/32 | 9039069 | 9039230 | 9038765 |
| | TWT21021 | 29 1/4 x 20 31/32 | 9039065 | 9039226 | 9038761 |
| | TWT21023 | 29 1/4 x 22 31/32 | 9039066 | 9039227 | 9038762 |
| | TWT21027 | 29 1/4 x 26 31/32 | 9039067 | 9039228 | 9038763 |
| | TWT21031 | 29 1/4 x 32 31/32 | 9039068 | 9039229 | 9038764 |
| 24 | TWT2415 | 23 1/4 x 12 31/32 | 9039014 | 9039175 | 9038709 |
| | TWT2417 | 23 1/4 x 14 31/32 | 9039015 | 9039176 | 9038710 |
| | TWT24111 | 23 1/4 x 18 31/32 | 9039016 | 9039177 | 9038711 |
| | TWT2421 | 23 1/4 x 20 31/32 | 9039017 | 9039178 | 9038712 |
| | TWT2423 | 23 1/4 x 22 31/32 | 9039018 | 9039179 | 9038713 |
| | TWT2427 | 23 1/4 x 26 31/32 | 9039019 | 9039180 | 9038714 |
| | TWT2431 | 23 1/4 x 32 31/32 | 9039020 | 9039181 | 9038715 |
| 26 | TWT2615 | 25 1/4 x 12 31/32 | 9039070 | 9039231 | 9038766 |
| | TWT2617 | 25 1/4 x 14 31/32 | 9039071 | 9039232 | 9038767 |
| | TWT26111 | 25 1/4 x 18 31/32 | 9039076 | 9039237 | 9038772 |
| | TWT2621 | 25 1/4 x 20 31/32 | 9039072 | 9039233 | 9038768 |
| | TWT2623 | 25 1/4 x 22 31/32 | 9039073 | 9039234 | 9038769 |
| | TWT2627 | 25 1/4 x 26 31/32 | 9039074 | 9039235 | 9038770 |
| | TWT2631 | 25 1/4 x 32 31/32 | 9039075 | 9039236 | 9038771 |


400 Series Tilt-Wash Transom Window (TWT) (2006 to Present)

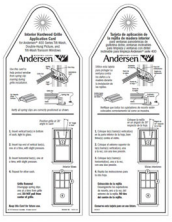
Transom Windows

Grilles

| Interior Grille with Chisel Plungers - Colonial / 3/4" Prefinished Interior (May 2010 – Present) | | | | | |
|--|----------|--------------------|----------|------------|----------|
| Unit No. | | Dimensions (w x h) | Color | | |
| | | | Exterior | | |
| | | | White | Terratone® | Sandtone |
| | | | Interior | | |
| | | | White | Terratone® | Sandtone |
| 28 | TWT2815 | 27 1/4 × 12 31/32 | 9039021 | 9039182 | 9038716 |
| | TWT2817 | 27 1/4 × 14 31/32 | 9039022 | 9039183 | 9038717 |
| | TWT28111 | 27 1/4 × 18 31/32 | 9039023 | 9039184 | 9038718 |
| | TWT2821 | 27 1/4 × 20 31/32 | 9039024 | 9039185 | 9038719 |
| | TWT2823 | 27 1/4 × 22 31/32 | 9039025 | 9039186 | 9038720 |
| | TWT2827 | 27 1/4 × 26 31/32 | 9039026 | 9039187 | 9038721 |
| | TWT2831 | 27 1/4 × 32 31/32 | 9039027 | 9039188 | 9038722 |
| 30 | TWT3015 | 31 1/4 × 12 31/32 | 9039028 | 9039189 | 9038723 |
| | TWT3017 | 31 1/4 × 14 31/32 | 9039029 | 9039190 | 9038724 |
| | TWT30111 | 31 1/4 × 18 31/32 | 9039030 | 9039191 | 9038725 |
| | TWT3021 | 31 1/4 × 20 31/32 | 9039031 | 9039192 | 9038726 |
| | TWT3023 | 31 1/4 × 22 31/32 | 9039032 | 9039193 | 9038727 |
| | TWT3027 | 31 1/4 × 26 31/32 | 9039033 | 9039194 | 9038728 |
| | TWT3031 | 31 1/4 × 32 31/32 | 9039034 | 9039195 | 9038729 |
| 34 | TWT3415 | 35 1/4 × 12 31/32 | 9039035 | 9039196 | 9038730 |
| | TWT3417 | 35 1/4 × 14 31/32 | 9039036 | 9039197 | 9038731 |
| | TWT34111 | 35 1/4 × 18 31/32 | 9039037 | 9039198 | 9038732 |
| | TWT3421 | 35 1/4 × 20 31/32 | 9039038 | 9039199 | 9038733 |
| | TWT3423 | 35 1/4 × 22 31/32 | 9039039 | 9039200 | 9038734 |
| | TWT3427 | 35 1/4 × 26 31/32 | 9039040 | 9039201 | 9038735 |
| | TWT3431 | 35 1/4 × 32 31/32 | 9039041 | 9039202 | 9038736 |
| 38 | TWT3815 | 39 1/4 × 12 31/32 | 9039042 | 9039203 | 9038737 |
| | TWT3817 | 39 1/4 × 14 31/32 | 9039043 | 9039204 | 9038738 |
| | TWT38111 | 39 1/4 × 18 31/32 | 9039044 | 9039205 | 9038739 |
| | TWT3821 | 39 1/4 × 20 31/32 | 9039045 | 9039206 | 9038740 |
| | TWT3823 | 39 1/4 × 22 31/32 | 9039046 | 9039207 | 9038741 |
| | TWT3827 | 39 1/4 × 26 31/32 | 9039047 | 9039208 | 9038742 |
| | TWT3831 | 39 1/4 × 32 31/32 | 9039048 | 9039209 | 9038743 |

Grilles

| Interior Grille Parts | | |
|---|--|------------------|
| Fastener - Grille Plunger | | |
|  | | Order No. |
| | | 1344401 |

| Installation Guide/Aid | | |
|---|--|------------------|
| <p>Note: Grilles include fasteners. See Accessory Guide 9033637.</p> | | |
|  | | Order No. |
| | | 9033637 |

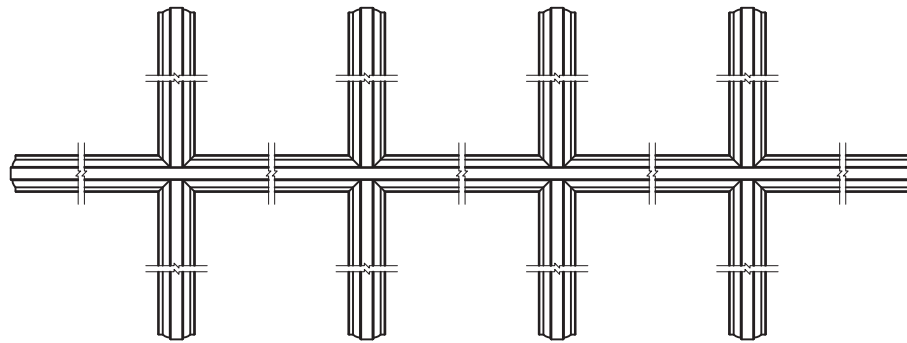
400 Series Tilt-Wash Transom Window (TWT) (2006 to Present)

Transom Windows

Grilles


Interior Grilles with Clips (2006 to 5/2010)

Note:
Grilles include fasteners.



Interior Grilles - Colonial / 3/4" with Clips

Interior Grille with Clips - Colonial / 3/4" Wood / Maple Interior (2006 – May 2010)

| Unit No. | Dimensions (w x h) | Color/Species | | | | | |
|----------|--------------------|--|------------|----------|--------------|---------|----------------|
| | | Exterior | | | | | Maple Interior |
| | | White | Terratone® | Sandtone | Forest Green | Canvas | |
| | | Maple Interior | | | | | |
| | |  | | | | | |
| | TWT10 | 5 11/16 | 1684811 | 2711921 | 1140762 | 0314751 | 9047707 |
| 18 | TWT1815 | 15 1/4 x 12 31/32 | 1684002 | 2709944 | 1140604 | 0314802 | 9047708 |
| | TWT1817 | 15 1/4 x 14 31/32 | 1684003 | 2709945 | 1140605 | 0314803 | 9047709 |
| | TWT18111 | 15 1/4 x 18 31/32 | 1684004 | 2709946 | 1140606 | 0314804 | 9047710 |
| | TWT1821 | 15 1/4 x 20 31/32 | 1684005 | 2709947 | 1140607 | 0314805 | 9047711 |
| | TWT1823 | 15 1/4 x 22 31/32 | 1684006 | 2709948 | 1140608 | 0314806 | 9047712 |
| | TWT1827 | 15 1/4 x 26 31/32 | 1684007 | 2709949 | 1140609 | 0314807 | 9047713 |
| | TWT1831 | 15 1/4 x 32 31/32 | 1684008 | 2709950 | 1140610 | 0314808 | 9047714 |
| 20 | TWT2015 | 19 1/4 x 12 31/32 | 1684010 | 2709952 | 1140612 | 0314810 | 9047715 |
| | TWT2017 | 19 1/4 x 14 31/32 | 1684011 | 2709953 | 1140613 | 0314811 | 9047716 |
| | TWT20111 | 19 1/4 x 18 31/32 | 1684012 | 2709954 | 1140614 | 0314812 | 9047717 |
| | TWT2021 | 19 1/4 x 20 31/32 | 1684013 | 2709955 | 1140615 | 0314813 | 9047718 |
| | TWT2023 | 19 1/4 x 22 31/32 | 1684014 | 2709956 | 1140616 | 0314814 | 9047719 |
| | TWT2027 | 19 1/4 x 26 31/32 | 1684015 | 2709957 | 1140617 | 0314815 | 9047720 |
| | TWT2031 | 19 1/4 x 32 31/32 | 1684016 | 2709958 | 1140618 | 0314816 | 9047721 |

Grilles

| Interior Grille with Clips - Colonial / 3/4" Wood / Maple Interior (2006 – May 2010) | | | | | | | |
|--|--------------------|----------------------------------|------------|----------|--------------|---------|---------|
| Unit No. | Dimensions (w x h) | Color/Species | | | | | |
| | | Exterior | | | | | |
| | | White | Terratone® | Sandtone | Forest Green | Canvas | |
| | | Maple Interior | | | | | |
| | | [Image of Maple Interior Grille] | | | | | |
| 210 | TWT21015 | 29 1/4 x 12 31/32 | 1684701 | 2712411 | 1140801 | 0315001 | 9047757 |
| | TWT21017 | 29 1/4 x 14 31/32 | 1684702 | 2712412 | 1140802 | 0315002 | 9047758 |
| | TWT210111 | 29 1/4 x 18 31/32 | 1684707 | 2712417 | 1140807 | 0315007 | 9047763 |
| | TWT21021 | 29 1/4 x 20 31/32 | 1684703 | 2712413 | 1140803 | 0315003 | 9047759 |
| | TWT21023 | 29 1/4 x 22 31/32 | 1684704 | 2712414 | 1140804 | 0315004 | 9047760 |
| | TWT21027 | 29 1/4 x 26 31/32 | 1684705 | 2712415 | 1140805 | 0315005 | 9047761 |
| | TWT21031 | 29 1/4 x 32 31/32 | 1684706 | 2712416 | 1140806 | 0315006 | 9047762 |
| 24 | TWT2415 | 23 1/4 x 12 31/32 | 1684018 | 2709960 | 1140621 | 0314818 | 9047722 |
| | TWT2417 | 23 1/4 x 14 31/32 | 1684019 | 2709961 | 1140622 | 0314819 | 9047723 |
| | TWT24111 | 23 1/4 x 18 31/32 | 1684020 | 2709962 | 1140623 | 0314820 | 9047724 |
| | TWT2421 | 23 1/4 x 20 31/32 | 1684021 | 2709963 | 1140625 | 0314821 | 9047725 |
| | TWT2423 | 23 1/4 x 22 31/32 | 1684022 | 2709964 | 1140626 | 0314822 | 9047726 |
| | TWT2427 | 23 1/4 x 26 31/32 | 1684023 | 2709965 | 1140627 | 0314823 | 9047727 |
| | TWT2431 | 23 1/4 x 32 31/32 | 1684024 | 2709966 | 1140628 | 0314824 | 9047728 |
| 26 | TWT2615 | 25 1/4 x 12 31/32 | 1684708 | 2712418 | 1140808 | 0315008 | 9047764 |
| | TWT2617 | 25 1/4 x 14 31/32 | 1684709 | 2712419 | 1140809 | 0315009 | 9047765 |
| | TWT26111 | 25 1/4 x 18 31/32 | 1684714 | 2712424 | 1140814 | 0315014 | 9047770 |
| | TWT2621 | 25 1/4 x 20 31/32 | 1684710 | 2712420 | 1140810 | 0315010 | 9047766 |
| | TWT2623 | 25 1/4 x 22 31/32 | 1684711 | 2712421 | 1140811 | 0315011 | 9047767 |
| | TWT2627 | 25 1/4 x 26 31/32 | 1684712 | 2712422 | 1140812 | 0315012 | 9047768 |
| | TWT2631 | 25 1/4 x 32 31/32 | 1684713 | 2712423 | 1140813 | 0315013 | 9047769 |
| 28 | TWT2815 | 27 1/4 x 12 31/32 | 1684026 | 2709968 | 1140630 | 0314826 | 9047729 |
| | TWT2817 | 27 1/4 x 14 31/32 | 1684027 | 2709969 | 1140631 | 0314827 | 9047730 |
| | TWT28111 | 27 1/4 x 18 31/32 | 1684028 | 2709970 | 1140632 | 0314828 | 9047731 |
| | TWT2821 | 27 1/4 x 20 31/32 | 1684029 | 2709971 | 1140633 | 0314829 | 9047732 |
| | TWT2823 | 27 1/4 x 22 31/32 | 1684030 | 2709972 | 1140634 | 0314830 | 9047733 |
| | TWT2827 | 27 1/4 x 26 31/32 | 1684031 | 2709973 | 1140635 | 0314831 | 9047734 |
| | TWT2831 | 27 1/4 x 32 31/32 | 1684032 | 2709974 | 1140636 | 0314832 | 9047735 |

400 Series Tilt-Wash Transom Window (TWT) (2006 to Present)

Transom Windows

Grilles

| Interior Grille with Clips - Colonial / 3/4" Wood / Maple Interior (2006 – May 2010) | | | | | | | |
|--|-----------------------|-------------------|------------|----------|--------------|---------|---------|
| Unit No. | Dimensions (w x h) | Color/Species | | | | | |
| | | Exterior | | | | | |
| | | White | Terratone® | Sandtone | Forest Green | Canvas | |
| | | Maple Interior | | | | | |
| | | | | | | | |
| 30 | TWT3015 | 31 1/4 × 12 31/32 | 1684034 | 2709976 | 1140638 | 0314834 | 9047736 |
| | TWT3017 | 31 1/4 × 14 31/32 | 1684035 | 2709977 | 1140639 | 0314835 | 9047737 |
| | TWT30111 | 31 1/4 × 18 31/32 | 1684036 | 2709978 | 1140640 | 0314836 | 9047738 |
| | TWT3021 | 31 1/4 × 20 31/32 | 1684037 | 2709979 | 1140641 | 0314837 | 9047739 |
| | TWT3023 | 31 1/4 × 22 31/32 | 1684038 | 2709980 | 1140642 | 0314838 | 9047740 |
| | TWT3027 | 31 1/4 × 26 31/32 | 1684039 | 2709981 | 1140643 | 0314839 | 9047741 |
| | TWT3031 | 31 1/4 × 32 31/32 | 1684040 | 2709982 | 1140644 | 0314840 | 9047742 |
| 34 | TWT3415 | 35 1/4 × 12 31/32 | 1684042 | 2709984 | 1140648 | 0314841 | 9047743 |
| | TWT3417 | 35 1/4 × 14 31/32 | 1684043 | 2709985 | 1140649 | 0314842 | 9047744 |
| | TWT34111 | 35 1/4 × 18 31/32 | 1684044 | 2709986 | 1140650 | 0314843 | 9047745 |
| | TWT3421 | 35 1/4 × 20 31/32 | 1684045 | 2709987 | 1140651 | 0314844 | 9047746 |
| | TWT3423 | 35 1/4 × 22 31/32 | 1684046 | 2709988 | 1140652 | 0314845 | 9047747 |
| | TWT3427 | 35 1/4 × 26 31/32 | 1684047 | 2709989 | 1140653 | 0314846 | 9047748 |
| | TWT3431 | 35 1/4 × 32 31/32 | 1684048 | 2709990 | 1140680 | 0314847 | 9047749 |
| 38 | TWT3815 | 39 1/4 × 12 31/32 | 1684050 | 2709992 | 1140682 | 0314848 | 9047750 |
| | TWT3817 | 39 1/4 × 14 31/32 | 1684051 | 2709993 | 1140683 | 0314849 | 9047751 |
| | TWT38111 | 39 1/4 × 18 31/32 | 1684052 | 2709994 | 1140684 | 0314850 | 9047752 |
| | TWT3821 | 39 1/4 × 20 31/32 | 1684053 | 2709995 | 1140685 | 0314851 | 9047753 |
| | TWT3823 | 39 1/4 × 22 31/32 | 1684054 | 2709996 | 1140686 | 0314854 | 9047754 |
| | TWT3827 | 39 1/4 × 26 31/32 | 1684055 | 2709997 | 1140687 | 0314855 | 9047755 |
| | TWT3831 | 39 1/4 × 32 31/32 | 1684056 | 2709998 | 1140688 | 0314856 | 9047756 |

Grilles

| Interior Grille with Clips - Colonial / 3/4" Wood / Prefinished Interior (2006 – May 2010) | | | | | | |
|--|-----------|--------------------|------------|----------|------------|----------|
| Unit No. | | Dimensions (w x h) | | Color | | |
| | | | | Exterior | | |
| | | | | White | Terratone® | Sandtone |
| | | | | Interior | | |
| | | White | Terratone® | Sandtone | | |
| | TWT10 | 5 11/16 | 1684810 | 2711943 | 1140703 | |
| 18 | TWT1815 | 15 1/4 x 12 31/32 | 1684896 | 2711944 | 1140704 | |
| | TWT1817 | 15 1/4 x 14 31/32 | 1684897 | 2711945 | 1140705 | |
| | TWT18111 | 15 1/4 x 18 31/32 | 1684898 | 2711946 | 1140706 | |
| | TWT1821 | 15 1/4 x 20 31/32 | 1684899 | 2711947 | 1140707 | |
| | TWT1823 | 15 1/4 x 22 31/32 | 1684601 | 2711948 | 1140708 | |
| | TWT1827 | 15 1/4 x 26 31/32 | 1684602 | 2711949 | 1140709 | |
| | TWT1831 | 15 1/4 x 32 31/32 | 1684603 | 2711950 | 1140710 | |
| 20 | TWT2015 | 19 1/4 x 12 31/32 | 1684605 | 2711952 | 1140712 | |
| | TWT2017 | 19 1/4 x 14 31/32 | 1684606 | 2711953 | 1140713 | |
| | TWT20111 | 19 1/4 x 18 31/32 | 1684607 | 2711954 | 1140714 | |
| | TWT2021 | 19 1/4 x 20 31/32 | 1684608 | 2711955 | 1140715 | |
| | TWT2023 | 19 1/4 x 22 31/32 | 1684609 | 2711956 | 1140716 | |
| | TWT2027 | 19 1/4 x 26 31/32 | 1684610 | 2711957 | 1140717 | |
| | TWT2031 | 19 1/4 x 32 31/32 | 1684611 | 2711958 | 1140718 | |
| 210 | TWT21015 | 29 1/4 x 12 31/32 | 1684715 | 2712425 | 1140815 | |
| | TWT21017 | 29 1/4 x 14 31/32 | 1684716 | 2712426 | 1140816 | |
| | TWT210111 | 29 1/4 x 18 31/32 | 1684721 | 2712431 | 1140821 | |
| | TWT21021 | 29 1/4 x 20 31/32 | 1684717 | 2712427 | 1140817 | |
| | TWT21023 | 29 1/4 x 22 31/32 | 1684718 | 2712428 | 1140818 | |
| | TWT21027 | 29 1/4 x 26 31/32 | 1684719 | 2712429 | 1140819 | |
| | TWT21031 | 29 1/4 x 32 31/32 | 1684720 | 2712430 | 1140820 | |
| 24 | TWT2415 | 23 1/4 x 12 31/32 | 1684613 | 2711960 | 1140721 | |
| | TWT2417 | 23 1/4 x 14 31/32 | 1684614 | 2711961 | 1140722 | |
| | TWT24111 | 23 1/4 x 18 31/32 | 1684615 | 2711962 | 1140723 | |
| | TWT2421 | 23 1/4 x 20 31/32 | 1684616 | 2711963 | 1140725 | |
| | TWT2423 | 23 1/4 x 22 31/32 | 1684617 | 2711964 | 1140726 | |
| | TWT2427 | 23 1/4 x 26 31/32 | 1684618 | 2711965 | 1140727 | |
| | TWT2431 | 23 1/4 x 32 31/32 | 1684619 | 2711966 | 1140728 | |
| 26 | TWT2615 | 25 1/4 x 12 31/32 | 1684722 | 2712432 | 1140822 | |
| | TWT2617 | 25 1/4 x 14 31/32 | 1684723 | 2712433 | 1140823 | |
| | TWT26111 | 25 1/4 x 18 31/32 | 1684728 | 2712438 | 1140828 | |
| | TWT2621 | 25 1/4 x 20 31/32 | 1684724 | 2712434 | 1140824 | |
| | TWT2623 | 25 1/4 x 22 31/32 | 1684725 | 2712435 | 1140825 | |
| | TWT2627 | 25 1/4 x 26 31/32 | 1684726 | 2712436 | 1140826 | |
| | TWT2631 | 25 1/4 x 32 31/32 | 1684727 | 2712437 | 1140827 | |

400 Series Tilt-Wash Transom Window (TWT) (2006 to Present)

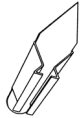
Transom Windows


Grilles

| Interior Grille with Clips - Colonial / 3/4" Wood / Prefinished Interior (2006 – May 2010) | | | | | |
|--|----------|--------------------|----------|------------|----------|
| Unit No. | | Dimensions (w x h) | Color | | |
| | | | Exterior | | |
| | | | White | Terratone® | Sandtone |
| | | | Interior | | |
| | | | White | Terratone® | Sandtone |
| 28 | TWT2815 | 27 1/4 × 12 31/32 | 1684621 | 2711968 | 1140730 |
| | TWT2817 | 27 1/4 × 14 31/32 | 1684622 | 2711969 | 1140731 |
| | TWT28111 | 27 1/4 × 18 31/32 | 1684623 | 2711970 | 1140732 |
| | TWT2821 | 27 1/4 × 20 31/32 | 1684624 | 2711971 | 1140733 |
| | TWT2823 | 27 1/4 × 22 31/32 | 1684625 | 2711972 | 1140734 |
| | TWT2827 | 27 1/4 × 26 31/32 | 1684626 | 2711973 | 1140735 |
| | TWT2831 | 27 1/4 × 32 31/32 | 1684627 | 2711974 | 1140736 |
| 30 | TWT3015 | 31 1/4 × 12 31/32 | 1684629 | 2711976 | 1140738 |
| | TWT3017 | 31 1/4 × 14 31/32 | 1684630 | 2711977 | 1140739 |
| | TWT30111 | 31 1/4 × 18 31/32 | 1684631 | 2711978 | 1140740 |
| | TWT3021 | 31 1/4 × 20 31/32 | 1684632 | 2711979 | 1140741 |
| | TWT3023 | 31 1/4 × 22 31/32 | 1684633 | 2711980 | 1140742 |
| | TWT3027 | 31 1/4 × 26 31/32 | 1684634 | 2711981 | 1140743 |
| | TWT3031 | 31 1/4 × 32 31/32 | 1684635 | 2711982 | 1140744 |
| 34 | TWT3415 | 35 1/4 × 12 31/32 | 1684637 | 2711984 | 1140748 |
| | TWT3417 | 35 1/4 × 14 31/32 | 1684638 | 2711985 | 1140749 |
| | TWT34111 | 35 1/4 × 18 31/32 | 1684639 | 2711986 | 1140750 |
| | TWT3421 | 35 1/4 × 20 31/32 | 1684640 | 2711987 | 1140751 |
| | TWT3423 | 35 1/4 × 22 31/32 | 1684641 | 2711988 | 1140752 |
| | TWT3427 | 35 1/4 × 26 31/32 | 1684642 | 2711989 | 1140753 |
| | TWT3431 | 35 1/4 × 32 31/32 | 1684643 | 2711990 | 1140754 |
| 38 | TWT3815 | 39 1/4 × 12 31/32 | 1684645 | 2711992 | 1140755 |
| | TWT3817 | 39 1/4 × 14 31/32 | 1684646 | 2711993 | 1140756 |
| | TWT38111 | 39 1/4 × 18 31/32 | 1684647 | 2711994 | 1140757 |
| | TWT3821 | 39 1/4 × 20 31/32 | 1684648 | 2711995 | 1140758 |
| | TWT3823 | 39 1/4 × 22 31/32 | 1684649 | 2711996 | 1140759 |
| | TWT3827 | 39 1/4 × 26 31/32 | 1684650 | 2711997 | 1140760 |
| | TWT3831 | 39 1/4 × 32 31/32 | 1684651 | 2711998 | 1140761 |

Grilles

Interior Grille Parts

| Fastener - Grille | | | |
|---|---|--------------|------------------|
|  | Note: Used for all custom pattern wood grilles. | Color | Order No. |
| | | White | 1974310 |
| | | Terratone® | 2601210 |
| | | Sandtone | 8154120 |
| | | Forest Green | 9046244 |
| | | Canvas | 9131693 |
| | | Dark Bronze | 9131694 |
| | | Black | 9131695 |

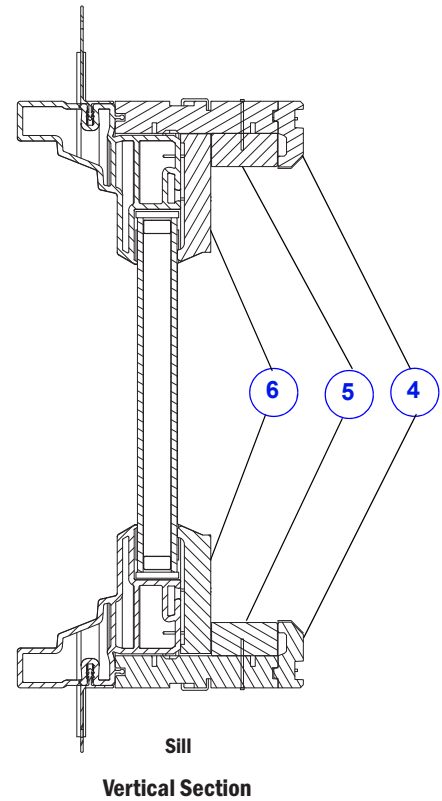
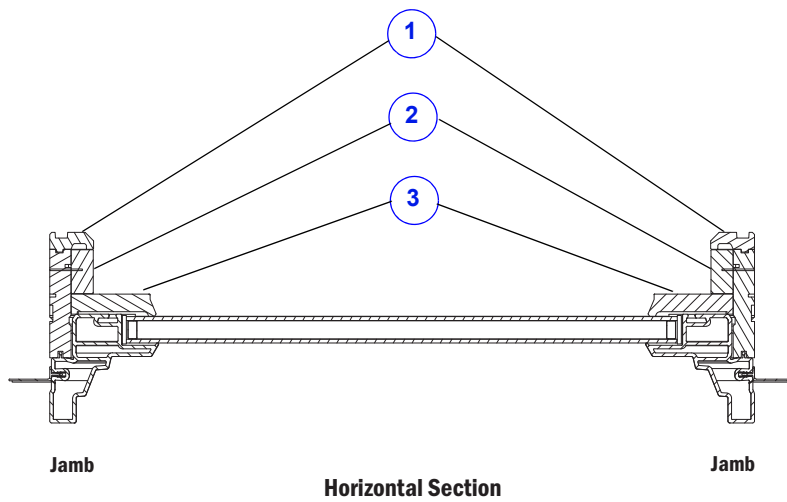
| Grille Fastener - Plunger | | |
|---|---|------------------|
|  | Note: Used with colonial pattern grilles. | Order No. |
| | | 1630038 |

Frame Assembly

Note:

See latest [Product Details](#).

1. [Inside Stop-Side](#)
2. [Transom Filler-Stile](#)
3. [Glass Stop- Side](#)
4. [Inside Stop-Head/Sill](#)
5. [Transom Filler-Head/Sill](#)
6. [Glass Stop-Head/Sill](#)



Tilt-Wash Transom (TWT) Window Frame Assembly

Frames

Glass Stops

Glass Stop - Head and Sill Ref. No 6 [page 23](#)

| Unit No. | Length | Pine | White | Terra-tone® | Sandtone | Forest Green |
|----------|---------|---------|-------------|-------------|----------|--------------|
| TWT18 | 19 7/8 | 1690432 | 1690484 | 9164918 | 9164964 | 9165010 |
| TWT20 | 23 7/8 | 1690433 | 1690485 | 9164920 | 9164966 | 9165012 |
| TWT24 | 27 7/8 | 1690435 | 1690487 | 9164926 | 9164972 | 9165018 |
| TWT26 | 29 7/8 | 1690436 | 1690488 | 9164928 | 9164974 | 9165020 |
| TWT28 | 31 7/8 | 1690437 | 1690489 | 9164932 | 9164978 | 9165024 |
| TWT210 | 33 7/8 | 1690434 | 1690486 | 9164952 | 9164998 | 9165044 |
| TWT30 | 35 7/8 | 1690438 | 1690490 | 9164934 | 9164980 | 9165026 |
| TWT34 | 39 7/8 | 1690440 | 1690492 | 9164938 | 9164984 | 9165030 |
| TWT38 | 43 7/8 | 1690441 | 1690493 | 9164941 | 9164987 | 9165033 |
| TWT310 | 45 9/16 | 1690439 | 1690491 | 9164954 | 9165000 | 9165046 |
| TWT42 | 49 9/16 | 1690443 | 1690495 | 9164943 | 9164989 | 9165035 |
| TWT410 | 57 9/16 | 1690442 | 1690494 | 9164956 | 9165002 | 9165048 |
| TWT56 | 65 9/16 | 1690444 | 1690496 | 9164945 | 9164991 | 9165037 |
| TWT62 | 73 9/16 | 1690431 | 1690483 | 9164947 | 9164993 | 9165039 |
| Unit No. | Length | Canvas | Dark Bronze | Black | | |
| TWT18 | 19 7/8 | 9165056 | 9146045 | 9145964 | | |
| TWT20 | 23 7/8 | 9165058 | 9146046 | 9145965 | | |
| TWT24 | 27 7/8 | 9165064 | 9146048 | 9145967 | | |
| TWT26 | 29 7/8 | 9165066 | 9146049 | 9145968 | | |
| TWT28 | 31 7/8 | 9165070 | 9146050 | 9145969 | | |
| TWT210 | 33 7/8 | 9165090 | 9146047 | 9145966 | | |
| TWT30 | 35 7/8 | 9165072 | 9146051 | 9145970 | | |
| TWT34 | 39 7/8 | 9165076 | 9146053 | 9145972 | | |
| TWT38 | 43 7/8 | 9165079 | 9146054 | 9145973 | | |
| TWT310 | 45 9/16 | 9165092 | 9146052 | 9145971 | | |
| TWT42 | 49 9/16 | 9165081 | 9146056 | 9145975 | | |
| TWT410 | 57 9/16 | 9165094 | 9146055 | 9145974 | | |
| TWT56 | 65 9/16 | 9165083 | 9146057 | 9145976 | | |
| TWT62 | 73 9/16 | 9165085 | 9146044 | 9145963 | | |

400 Series Tilt-Wash Transom Window (TWT) (2006 to Present)

Transom Windows

Frames

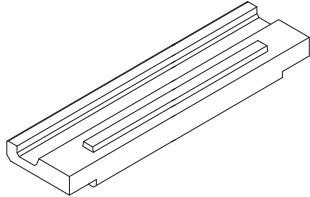
Glass Stop - Side Ref. No 3 [page 23](#)

| Unit No. | Length | Pine | White | Terra-tone® | Sandtone | Forest Green |
|----------|---------------------------------|---------|-------------|-------------|----------|--------------|
| TWT10 | 5 ²⁵ / ₃₂ | 1690423 | 1690475 | 9164911 | 9164957 | 9165003 |
| TWT15 | 13 ³ / ₃₂ | 1690425 | 1690477 | 9164913 | 9164959 | 9165005 |
| TWT17 | 15 ³ / ₃₂ | 1690426 | 1690478 | 9164915 | 9164961 | 9165007 |
| TWT111 | 19 ³ / ₃₂ | 1690424 | 1690476 | 9164949 | 9164995 | 9165041 |
| TWT21 | 21 ³ / ₃₂ | 1690427 | 1690479 | 9164921 | 9164967 | 9165013 |
| TWT23 | 23 ³ / ₃₂ | 1690428 | 1690480 | 9164923 | 9164969 | 9165015 |
| TWT27 | 27 ³ / ₃₂ | 1690429 | 1690481 | 9164929 | 9164975 | 9165021 |
| TWT31 | 33 ³ / ₃₂ | 1690430 | 1690482 | 9164935 | 9164981 | 9165027 |
| | | | | | | |
| Unit No. | Length | Canvas | Dark Bronze | Black | | |
| TWT10 | 5 ²⁵ / ₃₂ | 9165049 | 9145991 | 9145910 | | |
| TWT15 | 13 ³ / ₃₂ | 9165051 | 9145993 | 9145912 | | |
| TWT17 | 15 ³ / ₃₂ | 9165053 | 9145994 | 9145913 | | |
| TWT111 | 19 ³ / ₃₂ | 9165087 | 9145992 | 9145911 | | |
| TWT21 | 21 ³ / ₃₂ | 9165059 | 9145995 | 9145914 | | |
| TWT23 | 23 ³ / ₃₂ | 9165061 | 9145996 | 9145915 | | |
| TWT27 | 27 ³ / ₃₂ | 9165067 | 9145997 | 9145916 | | |
| TWT31 | 33 ³ / ₃₂ | 9165073 | 9145998 | 9145917 | | |

Frames

Trim Stops

Transom Stop - Head and Sill Ref. No 4 [page 23](#)



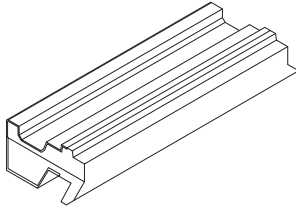
| Unit No. | Length | Pine | White | Terra-tone® | Sandtone | Forest Green |
|------------|---------------------------------|---------|---------|-------------|----------|--------------|
| DHT/TWT18 | 21 ⁹ / ₁₆ | 1642210 | 1642240 | 9201188 | 9201146 | 9201189 |
| DHT/TWT20 | 25 ⁹ / ₁₆ | 1642211 | 1642241 | 9201190 | 9201147 | 9201191 |
| DHT/TWT24 | 29 ⁹ / ₁₆ | 1642212 | 1642242 | 9201192 | 9201148 | 9201193 |
| DHT/TWT26 | 31 ⁹ / ₁₆ | 1642217 | 1642252 | 9201202 | 9201153 | 9201203 |
| DHT/TWT28 | 33 ⁹ / ₁₆ | 1642213 | 1642243 | 9201194 | 9201149 | 9201195 |
| DHT/TWT210 | 35 ⁹ / ₁₆ | 1642218 | 1642253 | 9201204 | 9201154 | 9201205 |
| DHT/TWT30 | 37 ⁹ / ₁₆ | 1642214 | 1642244 | 9201196 | 9201150 | 9201197 |
| DHT/TWT34 | 41 ⁹ / ₁₆ | 1642215 | 1642245 | 9201198 | 9201151 | 9201199 |
| DHT/TWT38 | 45 ⁹ / ₁₆ | 1642216 | 1642246 | 9201200 | 9201152 | 9201201 |
| DHT/TWT310 | 47 ¹ / ₄ | 1642201 | 1642247 | 9201455 | 9201450 | 9201456 |
| DHT/TWT42 | 51 ¹ / ₄ | 1642202 | 1642248 | 9201457 | 9201451 | 9201458 |
| DHT/TWT410 | 59 ¹ / ₄ | 1642203 | 1642249 | 9201459 | 9201452 | 9501460 |
| DHT/TWT56 | 67 ¹ / ₄ | 1642204 | 1642250 | 9201461 | 9201453 | 9201462 |
| DHT/TWT62 | 75 ¹ / ₄ | 1642205 | 1642251 | 9201463 | 9201454 | 9201464 |

| Unit No. | Length | Canvas | Dark | |
|------------|---------------------------------|---------|---------|---------|
| | | | Bronze | Black |
| DHT/TWT18 | 21 ⁹ / ₁₆ | 9201206 | 9201226 | 9201243 |
| DHT/TWT20 | 25 ⁹ / ₁₆ | 9201207 | 9201227 | 9201244 |
| DHT/TWT24 | 29 ⁹ / ₁₆ | 9201208 | 9201228 | 9201245 |
| DHT/TWT26 | 31 ⁹ / ₁₆ | 9201213 | 9201233 | 9201250 |
| DHT/TWT28 | 33 ⁹ / ₁₆ | 9201209 | 9201229 | 9201246 |
| DHT/TWT210 | 35 ⁹ / ₁₆ | 9201214 | 9201234 | 9201251 |
| DHT/TWT30 | 37 ⁹ / ₁₆ | 9201210 | 9201230 | 9201247 |
| DHT/TWT34 | 41 ⁹ / ₁₆ | 9201211 | 9201231 | 9201248 |
| DHT/TWT38 | 45 ⁹ / ₁₆ | 9201212 | 9201232 | 9201249 |
| DHT/TWT310 | 47 ¹ / ₄ | 9201468 | 9201473 | 9201478 |
| DHT/TWT42 | 51 ¹ / ₄ | 9201469 | 9201474 | 9201479 |
| DHT/TWT410 | 59 ¹ / ₄ | 9201470 | 9201475 | 9201480 |
| DHT/TWT56 | 67 ¹ / ₄ | 9201471 | 9201476 | 9201481 |
| DHT/TWT62 | 75 ¹ / ₄ | 9201512 | 9201513 | 9201514 |

400 Series Tilt-Wash Transom Window (TWT) (2006 to Present)

Transom Windows

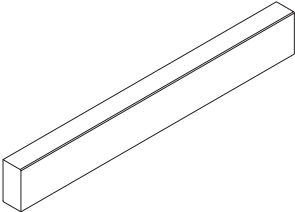
Frames

| Transom Stop - Side Ref. No 1 page 23 | | | | | | | |
|---|---------------------------------|---------------------------------|---------|-------------|------------|----------|--------------|
|  | Unit No. | Length | Pine | White | Terratone® | Sandtone | Forest Green |
| | TWT10 | 9 ²⁵ / ₃₂ | 1683566 | 3870385 | 9201138 | 9201130 | 9201122 |
| | TWT15 | 17 ³ / ₃₂ | 1683567 | 3870386 | 9201139 | 9201131 | 9201123 |
| | TWT17 | 19 ³ / ₃₂ | 1683568 | 3870387 | 9201140 | 9201132 | 9201124 |
| | TWT111 | 23 ³ / ₃₂ | 1683569 | 3870388 | 9201145 | 9201137 | 9201129 |
| | TWT21 | 25 ³ / ₃₂ | 1683570 | 3870389 | 9201141 | 9201133 | 9201125 |
| | TWT23 | 27 ³ / ₃₂ | 1683571 | 3870390 | 9201142 | 9201134 | 9201126 |
| | TWT27 | 31 ³ / ₃₂ | 1683572 | 3870391 | 9201143 | 9201135 | 9201127 |
| | TWT31 | 37 ³ / ₃₂ | 1683573 | 3870392 | 9201144 | 9201136 | 9201128 |
| | Unit No. | Length | Canvas | Dark Bronze | Black | | |
| | TWT10 | 9 ²⁵ / ₃₂ | 9201106 | 9201114 | 9201098 | | |
| | TWT15 | 17 ³ / ₃₂ | 9201107 | 9201115 | 9201099 | | |
| | TWT17 | 19 ³ / ₃₂ | 9201108 | 9201116 | 9201100 | | |
| | TWT111 | 23 ³ / ₃₂ | 9201113 | 9201121 | 9201105 | | |
| | TWT21 | 25 ³ / ₃₂ | 9201109 | 9201117 | 9201101 | | |
| | TWT23 | 27 ³ / ₃₂ | 9201110 | 9201118 | 9201102 | | |
| TWT27 | 31 ³ / ₃₂ | 9201111 | 9201119 | 9201103 | | | |
| TWT31 | 37 ³ / ₃₂ | 9201112 | 9201120 | 9201104 | | | |

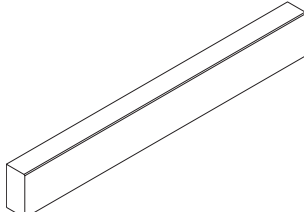
Frames

Filler

Filler - Transom / Stile Ref. No 2 [page 23](#)

|  | Unit No. | Length | Pine | Painted White |
|---|----------|---------------------------------|---------|---------------|
| | TWT10 | 9 ³ / ₄ | 1690401 | 1690453 |
| | TWT15 | 17 ¹ / ₁₆ | 1690403 | 1690455 |
| | TWT17 | 19 ¹ / ₁₆ | 1690404 | 1690456 |
| | TWT111 | 23 ¹ / ₁₆ | 1690402 | 1690454 |
| | TWT21 | 25 ¹ / ₁₆ | 1690407 | 1690459 |
| | TWT23 | 27 ¹ / ₁₆ | 1690409 | 1690461 |
| | TWT27 | 31 ¹ / ₁₆ | 1690412 | 1690464 |
| | TWT31 | 37 ¹ / ₁₆ | 1690415 | 1690467 |

Filler - Transom / Rail Ref. No 5 [page 23](#)

|  | Unit No. | Length | Pine | Painted White |
|--|--------------------------------|---------------------------------|---------|---------------|
| | TWT18 | 19 ³ / ₈ | 1690405 | 1690457 |
| | TWT20 | 23 ³ / ₈ | 1690406 | 1690458 |
| | TWT24 | 27 ³ / ₈ | 1690410 | 1690462 |
| | TWT26 | 29 ³ / ₈ | 1690411 | 1690463 |
| | TWT28 | 31 ³ / ₈ | 1690413 | 1690465 |
| | TWT210 | 33 ³ / ₈ | 1690408 | 1690460 |
| | TWT30 | 35 ³ / ₈ | 1690414 | 1690466 |
| | TWT34 | 39 ³ / ₈ | 1690417 | 1690469 |
| | TWT38 | 43 ³ / ₈ | 1690418 | 1690470 |
| | TWT310 | 45 ¹ / ₁₆ | 1690416 | 1690468 |
| | TWT42 | 49 ¹ / ₁₆ | 1690420 | 1690472 |
| | TWT410 | 57 ¹ / ₁₆ | 1690419 | 1690471 |
| | TWT56 | 65 ¹ / ₁₆ | 1690421 | 1690473 |
| TWT62 | 73 ³ / ₈ | 1690422 | 1690474 | |


400 Series Tilt-Wash Transom Window (TWT) (2006 to Present)

Transom Windows


Frames

Nailing Flanges

Nailing Flange - Side

|  | Unit No. | Length | Order No. |
|---|----------|---------------------------------|-----------|
| | TWT10 | 14 | 1679318 |
| | TWT15 | 21 ⁵ / ₁₆ | 1679319 |
| | TWT17 | 23 ⁵ / ₁₆ | 1679320 |
| | TWT111 | 27 ⁵ / ₁₆ | 1679321 |
| | TWT21 | 29 ⁵ / ₁₆ | 1679322 |
| | TWT23 | 31 ⁵ / ₁₆ | 1679323 |
| | TWT27 | 35 ⁵ / ₁₆ | 1679324 |
| | TWT31 | 41 ⁵ / ₁₆ | 1679325 |

Nailing Flange - Head and Sill

|  | Unit No. | Length | Order No. |
|--|----------|----------------------------------|-----------|
| | TW18 | 23 ¹⁵ / ₁₆ | 1625460 |
| | TW20 | 27 ¹⁵ / ₁₆ | 1625461 |
| | TW24 | 31 ¹⁵ / ₁₆ | 1625462 |
| | TW26 | 33 ¹⁵ / ₁₆ | 1625472 |
| | TW28 | 35 ¹⁵ / ₁₆ | 1625463 |
| | TW210 | 37 ¹⁵ / ₁₆ | 1625473 |
| | TW30 | 39 ¹⁵ / ₁₆ | 1625464 |
| | TW34 | 43 ¹⁵ / ₁₆ | 1625465 |
| | TW38 | 47 ¹⁵ / ₁₆ | 1625466 |

Frames

Extension Jambs

Note:

Natural wood interior and prefinished interior white (painted) are available in three widths. Vinyl wrapped white extension jambs are available in 6 9/16" depth. Pre-drilling may be needed depending upon the application method, only pre-drill sides and head. Extension jambs may have a notched back for an alternative application method.

| Extension Jamb - TWT Unit / Head and Sill (Pair) | | | | | | | | |
|--|---------|-------------|--------------|-------------|--------------------------------------|--------------|-------------|---------------------|
| Unit No. | Length | Pine | | | Prefinished Interior White (Painted) | | | Vinyl Wrapped White |
| | | 5 1/4" Wall | 6 9/16" Wall | 7 1/8" Wall | 5 1/4" Wall | 6 9/16" Wall | 7 1/8" Wall | 6 9/16" Wall |
| TW/TWT18 | 21 5/8 | 1636130 | 1636230 | 1636330 | 1694654 | 1694613 | 1694695 | N/A |
| TW/TWT20 | 25 5/8 | 1636131 | 1636231 | 1636331 | 1694655 | 1694614 | 1694696 | N/A |
| TW/TWT24 | 29 5/8 | 1636132 | 1636232 | 1636332 | 1694656 | 1694615 | 1694697 | N/A |
| TW/TWT26 | 31 5/8 | 1636137 | 1636237 | 1636337 | 1694661 | 1694620 | 1694703 | N/A |
| TW/TWT28 | 33 5/8 | 1636133 | 1636233 | 1636333 | 1694657 | 1694616 | 1694698 | N/A |
| TW/TWT210 | 35 5/8 | 1636138 | 1636238 | 1636338 | 1694681 | 1694640 | 1694723 | N/A |
| TW/TWT30 | 37 5/8 | 1636134 | 1636234 | 1636334 | 1694658 | 1694617 | 1694699 | N/A |
| TW/TWT34 | 41 5/8 | 1636135 | 1636235 | 1636335 | 1694659 | 1694618 | 1694701 | N/A |
| TW/TWT38 | 45 5/8 | 1636136 | 1636236 | 1636336 | 1694660 | 1694619 | 1694702 | N/A |
| TWT310 | 47 5/16 | 1636654 | 1639151 | 1636447 | 1694672 | 1694631 | 1694714 | N/A |
| TWT42/TWT20-2 | 51 5/16 | 1636621 | 1636631 | 1636641 | 1694663 | 1694622 | 1694705 | N/A |
| TWT410/TWT24-2 | 59 5/16 | 1636622 | 1639153 | 1636449 | 1694664 | 1694623 | 1694706 | N/A |
| TWT56/TWT28-2 | 67 5/16 | 1636623 | 1639154 | 1636450 | 1694665 | 1694624 | 1694707 | N/A |
| TWT62 | 75 5/16 | 1636624 | 1639176 | 1636451 | 1694666 | 1694625 | 1694708 | N/A |

| Extension Jamb - TWT Unit / Side (Pair) | | | | | | | | |
|---|----------|-------------|--------------|-------------|--------------------------------------|--------------|-------------|---------------------|
| Unit No. | Length | Pine | | | Prefinished Interior White (Painted) | | | Vinyl Wrapped White |
| | | 5 1/4" Wall | 6 9/16" Wall | 7 1/8" Wall | 5 1/4" Wall | 6 9/16" Wall | 7 1/8" Wall | 6 9/16" Wall |
| TWT10 | 10 5/8 | 1636430 | 1636427 | 1636459 | 1694680 | 1694639 | 1694722 | N/A |
| TWT15 | 17 15/16 | 1636431 | 1636426 | 1636458 | 1694679 | 1694638 | 1694721 | N/A |
| TWT17 | 19 15/16 | 1636432 | 1636425 | 1636457 | 1694678 | 1694637 | 1694720 | N/A |
| TWT111 | 23 15/16 | 1636433 | 1636424 | 1636456 | 1694677 | 1694636 | 1694719 | N/A |
| TWT21 | 25 15/16 | 1636434 | 1636423 | 1636455 | 1694676 | 1694635 | 1694718 | N/A |
| TWT23 | 27 15/16 | 1636435 | 1636422 | 1636454 | 1694675 | 1694634 | 1694717 | N/A |
| TWT27 | 31 15/16 | 1636436 | 1636421 | 1636453 | 1694674 | 1694633 | 1694716 | N/A |
| TWT31 | 37 15/16 | 1636437 | 1636420 | 1636452 | 1694673 | 1694632 | 1694715 | N/A |

400 Series Tilt-Wash Transom Window (TWT) (2006 to Present)

Transom Windows

Frames

| Extension Jamb / Wood / Lineal | | | | | | | | |
|---------------------------------|---------------------------------|---------------------------------|---------|---------|---------|---------|---------|---------|
| Extension Jamb / Wood / Lineal | | | | | | | | |
| Wall Depth | Dim A | Pine | | Oak | | Maple | | |
| | | 96" | 144" | 96" | 144" | 96" | 144" | |
| 5" | 5 | 1 ¹⁵ / ₃₂ | N/A | N/A | N/A | N/A | N/A | N/A |
| | | | | | | | | |
| 6" | 6 | 1 ¹⁵ / ₃₂ | 9104543 | 9104539 | 9104545 | 9104541 | 9104546 | 9104542 |
| | | | | | | | | |
| 7" | 7 | 2 ¹⁵ / ₃₂ | 9104663 | 9104659 | 9104665 | 9104661 | 9104666 | 9104662 |
| | 7 ¹ / ₁₆ | 2 ¹⁷ / ₃₂ | 9104671 | 9104667 | 9104673 | 9104669 | 9104674 | 9104670 |
| | 7 ¹ / ₈ | 2 ¹⁹ / ₃₂ | 1636647 | 1636648 | 9104425 | 9104422 | 9104426 | 9104423 |
| | 7 ³ / ₁₆ | 2 ²¹ / ₃₂ | 9204637 | 9204817 | 9204667 | 9204847 | 9204697 | 9204877 |
| | 7 ¹ / ₄ | 2 ²³ / ₃₂ | 9204638 | 9204818 | 9204668 | 9204848 | 9204698 | 9204878 |
| | 7 ⁵ / ₁₆ | 2 ²⁵ / ₃₂ | 9204639 | 9204819 | 9204669 | 9204849 | 9204699 | 9204879 |
| | 7 ³ / ₈ | 2 ²⁷ / ₃₂ | 9204640 | 9204820 | 9204670 | 9204850 | 9204700 | 9204880 |
| | 7 ⁷ / ₁₆ | 2 ²⁹ / ₃₂ | 9204641 | 9204821 | 9204671 | 9204851 | 9204701 | 9204881 |
| | 7 ¹ / ₂ | 2 ³¹ / ₃₂ | 9204642 | 9204822 | 9204672 | 9204852 | 9204702 | 9204882 |
| | 7 ⁹ / ₁₆ | 3 ¹ / ₃₂ | 9204643 | 9204823 | 9204673 | 9204853 | 9204703 | 9204883 |
| | 7 ⁵ / ₈ | 3 ³ / ₃₂ | 9204644 | 9204824 | 9204674 | 9204854 | 9204704 | 9204884 |
| | 7 ¹¹ / ₁₆ | 3 ⁵ / ₃₂ | 9204644 | 9204825 | 9204675 | 9204855 | 9204705 | 9204885 |
| | 7 ³ / ₄ | 3 ⁷ / ₃₂ | 9204646 | 9204826 | 9204676 | 9204856 | 9204706 | 9204886 |
| | 7 ¹³ / ₁₆ | 3 ⁹ / ₃₂ | 9204647 | 9204827 | 9204677 | 9204857 | 9204707 | 9204887 |
| | 7 ⁷ / ₈ | 3 ¹¹ / ₃₂ | 9204648 | 9204828 | 9204678 | 9204858 | 9204708 | 9204888 |
| 7 ¹⁵ / ₁₆ | 3 ¹³ / ₃₂ | 9204649 | 9204829 | 9204679 | 9204859 | 9204709 | 9204889 | |
| 8" | 8 | 3 ¹⁵ / ₃₂ | 9204650 | 9204830 | 9204680 | 9204860 | 9204710 | 9204890 |
| | 8 ¹ / ₁₆ | 3 ¹⁷ / ₃₂ | 9204651 | 9204831 | 9204681 | 9204861 | 9204711 | 9204891 |
| | 8 ¹ / ₈ | 3 ¹⁹ / ₃₂ | 9204652 | 9204832 | 9204682 | 9204862 | 9204712 | 9204892 |
| | 8 ³ / ₁₆ | 3 ²¹ / ₃₂ | 9204653 | 9204833 | 9204683 | 9204863 | 9204713 | 9204893 |
| | 8 ¹ / ₄ | 3 ²³ / ₃₂ | 9204654 | 9204834 | 9204684 | 9204864 | 9204714 | 9204894 |
| | 8 ⁵ / ₁₆ | 3 ²⁵ / ₃₂ | 9204655 | 9204835 | 9204685 | 9204865 | 9204715 | 9204895 |
| | 8 ³ / ₈ | 3 ²⁷ / ₃₂ | 9204656 | 9204836 | 9204686 | 9204866 | 9204716 | 9204896 |
| | 8 ⁷ / ₁₆ | 3 ²⁹ / ₃₂ | 9204657 | 9204837 | 9204687 | 9204867 | 9204717 | 9204897 |
| | 8 ¹ / ₂ | 3 ³¹ / ₃₂ | 9204658 | 9204838 | 9204688 | 9204868 | 9204718 | 9204898 |
| | 8 ⁹ / ₁₆ | 4 ¹ / ₃₂ | 9204659 | 9204839 | 9204689 | 9204869 | 9204719 | 9204899 |
| | 8 ⁵ / ₈ | 4 ³ / ₃₂ | 9204660 | 9204840 | 9204690 | 9204870 | 9204720 | 9204900 |
| | 8 ¹¹ / ₁₆ | 4 ⁵ / ₃₂ | 9204661 | 9204841 | 9204691 | 9204871 | 9204721 | 9204901 |
| | 8 ³ / ₄ | 4 ⁷ / ₃₂ | 9204662 | 9204842 | 9204692 | 9204872 | 9204722 | 9204902 |
| | 8 ¹³ / ₁₆ | 4 ⁹ / ₃₂ | 9204663 | 9204843 | 9204693 | 9204873 | 9204723 | 9204903 |
| | 8 ⁷ / ₈ | 4 ¹¹ / ₃₂ | 9204664 | 9204844 | 9204694 | 9204874 | 9204724 | 9204904 |
| 8 ¹⁵ / ₁₆ | 4 ¹³ / ₃₂ | 9204665 | 9204845 | 9204695 | 9204875 | 9204725 | 9204905 | |
| 9" | 9 | 4 ¹⁵ / ₃₂ | 9204666 | 9204846 | 9204696 | 9204876 | 9204726 | 9204906 |

Frames

| Extension Jamb / Painted / Lineal | | | | | | | | | | | | |
|-----------------------------------|---------------------------------|---------------------------------|---------|---------------------|------|---------------------|---------|---------------|---------|------------------|------|-----|
| Extension Jamb / Painted / Lineal | | | | | | | | | | | | |
| Wall Depth | Dim A | White Painted | | White Vinyl Wrapped | | Dark Bronze Painted | | Black Painted | | Sandtone Painted | | |
| | | 96" | 144" | 96" | 144" | 96" | 144" | 96" | 144" | 96" | 144" | |
| 5" | 5 | 1 ¹⁵ / ₃₂ | N/A | N/A | N/A | N/A | N/A | N/A | N/A | N/A | N/A | N/A |
| | | | | | N/A | N/A | | | | | N/A | N/A |
| 6" | 6 | 1 ¹⁵ / ₃₂ | 9104544 | 9104540 | N/A | N/A | 9145416 | 9145415 | 9144818 | 9144817 | N/A | N/A |
| | | | | | N/A | N/A | | | | | N/A | N/A |
| 7" | 7 | 2 ¹⁵ / ₃₂ | 9104664 | 9104660 | N/A | N/A | 9145446 | 9145445 | 9144848 | 9144847 | N/A | N/A |
| | 7 ¹ / ₁₆ | 2 ¹⁷ / ₃₂ | 9104672 | 9104668 | N/A | N/A | 9145448 | 9145447 | 9144850 | 9144849 | N/A | N/A |
| | 7 ¹ / ₈ | 2 ¹⁹ / ₃₂ | 1694711 | 1694712 | N/A | N/A | 9145386 | 9145385 | 9144788 | 9144787 | N/A | N/A |
| | 7 ³ / ₁₆ | 2 ²¹ / ₃₂ | 9204727 | 9204907 | N/A | N/A | 9204757 | 9204937 | 9204787 | 9205302 | N/A | N/A |
| | 7 ¹ / ₄ | 2 ²³ / ₃₂ | 9204728 | 9204908 | N/A | N/A | 9204758 | 9204938 | 9204788 | 9205303 | N/A | N/A |
| | 7 ⁵ / ₁₆ | 2 ²⁵ / ₃₂ | 9204729 | 9204909 | N/A | N/A | 9204759 | 9204939 | 9204789 | 9205304 | N/A | N/A |
| | 7 ³ / ₈ | 2 ²⁷ / ₃₂ | 9204730 | 9204910 | N/A | N/A | 9204760 | 9204940 | 9204790 | 9205305 | N/A | N/A |
| | 7 ⁷ / ₁₆ | 2 ²⁹ / ₃₂ | 9204731 | 9204911 | N/A | N/A | 9204761 | 9204941 | 9204791 | 9205306 | N/A | N/A |
| | 7 ¹ / ₂ | 2 ³¹ / ₃₂ | 9204732 | 9204912 | N/A | N/A | 9204762 | 9204942 | 9204792 | 9205307 | N/A | N/A |
| | 7 ⁹ / ₁₆ | 3 ¹ / ₃₂ | 9204733 | 9204913 | N/A | N/A | 9204763 | 9204943 | 9204793 | 9205308 | N/A | N/A |
| | 7 ⁵ / ₈ | 3 ³ / ₃₂ | 9204734 | 9204914 | N/A | N/A | 9204764 | 9204944 | 9204794 | 9205309 | N/A | N/A |
| | 7 ¹¹ / ₁₆ | 3 ⁵ / ₃₂ | 9204735 | 9204915 | N/A | N/A | 9204765 | 9204945 | 9204795 | 9205310 | N/A | N/A |
| | 7 ³ / ₄ | 3 ⁷ / ₃₂ | 9204736 | 9204916 | N/A | N/A | 9204766 | 9204946 | 9204796 | 9205311 | N/A | N/A |
| | 7 ¹³ / ₁₆ | 3 ⁹ / ₃₂ | 9204737 | 9204917 | N/A | N/A | 9204767 | 9204947 | 9204797 | 9205312 | N/A | N/A |
| | 7 ⁷ / ₈ | 3 ¹¹ / ₃₂ | 9204738 | 9204918 | N/A | N/A | 9204768 | 9204948 | 9204798 | 9205313 | N/A | N/A |
| 7 ¹⁵ / ₁₆ | 3 ¹³ / ₃₂ | 9204739 | 9204919 | N/A | N/A | 9204769 | 9204949 | 9204799 | 9205314 | N/A | N/A | |
| 8" | 8 | 3 ¹⁵ / ₃₂ | 9204740 | 9204920 | N/A | N/A | 9204770 | 9204950 | 9204800 | 9205315 | N/A | N/A |
| | 8 ¹ / ₁₆ | 3 ¹⁷ / ₃₂ | 9204741 | 9204921 | N/A | N/A | 9204771 | 9204951 | 9204801 | 9205316 | N/A | N/A |
| | 8 ¹ / ₈ | 3 ¹⁹ / ₃₂ | 9204742 | 9204922 | N/A | N/A | 9204772 | 9204952 | 9204802 | 9205317 | N/A | N/A |
| | 8 ³ / ₁₆ | 3 ²¹ / ₃₂ | 9204743 | 9204923 | N/A | N/A | 9204773 | 9204953 | 9204803 | 9205318 | N/A | N/A |
| | 8 ¹ / ₄ | 3 ²³ / ₃₂ | 9204744 | 9204924 | N/A | N/A | 9204774 | 9204954 | 9204804 | 9205319 | N/A | N/A |
| | 8 ⁵ / ₁₆ | 3 ²⁵ / ₃₂ | 9204745 | 9204925 | N/A | N/A | 9204775 | 9204955 | 9204805 | 9205320 | N/A | N/A |
| | 8 ³ / ₈ | 3 ²⁷ / ₃₂ | 9204746 | 9204926 | N/A | N/A | 9204776 | 9204956 | 9204806 | 9205321 | N/A | N/A |
| | 8 ⁷ / ₁₆ | 3 ²⁹ / ₃₂ | 9204747 | 9204927 | N/A | N/A | 9204777 | 9204957 | 9204807 | 9205322 | N/A | N/A |
| | 8 ¹ / ₂ | 3 ³¹ / ₃₂ | 9204748 | 9204928 | N/A | N/A | 9204778 | 9204958 | 9204808 | 9205323 | N/A | N/A |
| | 8 ⁹ / ₁₆ | 4 ¹ / ₃₂ | 9204749 | 9204929 | N/A | N/A | 9204779 | 9204959 | 9204809 | 9205324 | N/A | N/A |
| | 8 ⁵ / ₈ | 4 ³ / ₃₂ | 9204750 | 9204930 | N/A | N/A | 9204780 | 9204960 | 9204810 | 9205325 | N/A | N/A |
| | 8 ¹¹ / ₁₆ | 4 ⁵ / ₃₂ | 9204751 | 9204931 | N/A | N/A | 9204781 | 9205296 | 9204811 | 9205326 | N/A | N/A |
| | 8 ³ / ₄ | 4 ⁷ / ₃₂ | 9204752 | 9204932 | N/A | N/A | 9204782 | 9205297 | 9204812 | 9205327 | N/A | N/A |
| | 8 ¹³ / ₁₆ | 4 ⁹ / ₃₂ | 9204753 | 9204933 | N/A | N/A | 9204783 | 9205298 | 9204813 | 9205328 | N/A | N/A |
| | 8 ⁷ / ₈ | 4 ¹¹ / ₃₂ | 9204754 | 9204934 | N/A | N/A | 9204784 | 9205299 | 9204814 | 9205329 | N/A | N/A |
| 8 ¹⁵ / ₁₆ | 4 ¹³ / ₃₂ | 9204755 | 9204935 | N/A | N/A | 9204785 | 9205300 | 9204815 | 9205330 | N/A | N/A | |
| 9" | 9 | 4 ¹⁵ / ₃₂ | 9204756 | 9204936 | N/A | N/A | 9204786 | 9205301 | 9204816 | 9205331 | N/A | N/A |

400 Series Tilt-Wash Transom Window (TWT) (2006 to Present)

Transom Windows

Frames

| Installation Kit | | |
|---|--|-----------------------------|
| Installation Kit - TWT / Through The Jamb | | |
| Note: Used for units installed through the jamb. See Installation Guide 9177036 . | | |
| | Kit Includes: (24) Fasteners Installation Guide | Order No. 9176421 |

Joining Components

| Joining Kits | | | | | | | |
|--|---------|------------|----------|--------------|----------------|----------------|----------------|
| Joining Kit - Transom / CTN / TWT / FF over TW | | | | | | | |
| Kit includes: Transom outside trim, 2 block spacers, qty - 8 #8 x 2 flat head screws, 2 gusset plates and instruction sheet. | | | | | | | |
| Unit No. | White | Terratone® | Sandtone | Forest Green | Canvas | Dark Bronze | Black |
| TWT18 | 1611618 | 2751320 | 1141341 | 0312832 | 9076763 | 9076995 | 9129386 |
| TWT20 | 1656302 | 2751302 | 1141324 | 0312812 | 9076756 | 9076988 | 9129379 |
| TWT24 | 1656304 | 2751304 | 1141326 | 0312814 | 9076757 | 9076989 | 9129380 |
| TWT26 | 1656321 | 2751321 | 1141342 | 0312833 | 9076764 | 9076996 | 9129387 |
| TWT28 | 1656306 | 2751306 | 1141328 | 0312816 | 9076758 | 9076990 | 9129381 |
| TWT210 | 1656322 | 2751322 | 1141343 | 0312834 | 9076765 | 9076997 | 9129388 |
| TWT30 | 1656308 | 2751308 | 1141330 | 0312818 | 9076759 | 9076991 | 9129382 |
| TWT34 | 1656310 | 2751310 | 1141332 | 0312820 | 9076760 | 9076992 | 9129383 |
| TWT38 | 1611638 | 2751323 | 1141344 | 0312835 | 9076766 | 9076998 | 9129389 |
| TWT310 | 1656323 | 2751324 | 1141345 | 0312836 | 9076767 | 9076999 | 9129390 |
| TWT42 | 1656324 | 2751325 | 1141346 | 0312837 | 9076768 | 9077000 | 9129391 |
| TWT410 | 1656325 | 2751326 | 1141347 | 0312838 | 9076769 | 9077001 | 9129392 |
| TWT56 | 1656316 | 2751316 | 1141334 | 0312826 | By description | By description | By description |
| TWT62 | 1656318 | 2751318 | 1141336 | 0312828 | By description | By description | By description |

| Joining Kit Components | | | | | | | | |
|---|--------|---------|-------------|----------|--------------|---------|-------------|---------|
| Exterior Trim Strip | | | | | | | | |
| Note: See Joining Guide 0004378 for details on horizontal mull usage. | | | | | | | | |
| | | | | | | | | |
| Unit No. | Length | White | Terra-tone® | Sandtone | Forest Green | Canvas | Dark Bronze | Black |
| 150 | 150 | 1632926 | 2741726 | 1142426 | 0331797 | 9053177 | 9073178 | 9129320 |

| Accessory Package / Joining Kit | |
|--|-----------------------------|
| Kit Includes: (8) (Fasteners) PH Pan HD 8-15 x 1 1/2 Typ A (16) (Fasteners) PH FL Stl Z-Y-D 8-10 x 1 3/8 (4) Mull Spacer (4) Mull Clip (2) Gusset Plate Joining Guide 0005367 | |
| | Order No. 0102619 |

400 Series Tilt-Wash Transom Window (TWT) (2006 to Present)

Art Glass Components

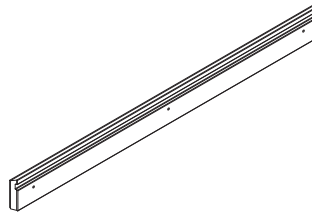
Art Glass Panels (1995 to Present)

Note:

Information about ordering replacement art glass panels can be found in the Andersen Art Glass section of the catalog.

Trim Stops - Art Glass

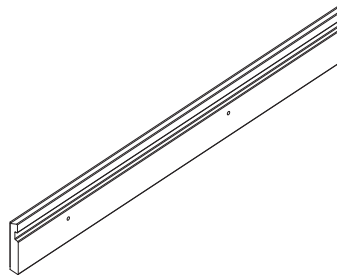
Trim Stop - Art Glass / Side



| Unit No. | Order No. | Unit No. | Order No. | Unit No. | Order No. | Unit No. | Order No. |
|----------|-----------|----------|-----------|-----------|-----------|----------|-----------|
| TWT1810 | 2370541 | TWT2421 | 2370544 | TWT2831 | 2370547 | TWT3417 | 2370540 |
| TWT1815 | 2370542 | TWT2423 | 2370545 | TWT21010 | 2370541 | TWT34111 | 2370543 |
| TWT1817 | 2370540 | TWT2427 | 2370546 | TWT21015 | 2370542 | TWT3421 | 2370544 |
| TWT18111 | 2370543 | TWT2431 | 2370547 | TWT21017 | 2370540 | TWT3423 | 2370545 |
| TWT1821 | 2370544 | TWT2610 | 2370541 | TWT210111 | 2370543 | TWT3427 | 2370546 |
| TWT1823 | 2370545 | TWT2615 | 2370542 | TWT21021 | 2370544 | TWT3431 | 2370547 |
| TWT1827 | 2370546 | TWT2617 | 2370540 | TWT21023 | 2370545 | TWT3810 | 2370541 |
| TWT1831 | 2370547 | TWT26111 | 2370543 | TWT21027 | 2370546 | TWT3815 | 2370542 |
| TWT2010 | 2370541 | TWT2621 | 2370544 | TWT21031 | 2370547 | TWT3817 | 2370540 |
| TWT2015 | 2370542 | TWT2623 | 2370545 | TWT3010 | 2370541 | TWT38111 | 2370543 |
| TWT2017 | 2370540 | TWT2627 | 2370546 | TWT3015 | 2370542 | TWT3821 | 2370544 |
| TWT20111 | 2370543 | TWT2631 | 2370547 | TWT3017 | 2370540 | TWT3823 | 2370545 |
| TWT2021 | 2370544 | TWT2810 | 2370541 | TWT30111 | 2370543 | TWT3827 | 2370546 |
| TWT2023 | 2370545 | TWT2815 | 2370542 | TWT3021 | 2370544 | TWT3831 | 2370547 |
| TWT2027 | 2370546 | TWT2817 | 2370540 | TWT3023 | 2370545 | TWT31010 | 2370541 |
| TWT2031 | 2370547 | TWT28111 | 2370543 | TWT3027 | 2370546 | TWT4210 | 2370541 |
| TWT2410 | 2370541 | TWT2821 | 2370544 | TWT3031 | 2370547 | TWT41010 | 2370541 |
| TWT2415 | 2370542 | TWT2823 | 2370545 | TWT3410 | 2370541 | TWT5610 | 2370541 |
| TWT2417 | 2370540 | TWT2827 | 2370546 | TWT3415 | 2370542 | TWT6210 | 2370541 |
| TWT24111 | 2370543 | | | | | | |

Art Glass Components

Trim Stop - Art Glass / Head and Sill



| Unit No. | Order No. | Unit No. | Order No. | Unit No. | Order No. |
|----------|-----------|----------|-----------|----------|-----------|
| TWT1810 | 2370548 | TWT21010 | 2370553 | TWT4210 | 2370558 |
| TWT2010 | 2370549 | TWT3010 | 2370554 | TWT41010 | 2370559 |
| TWT2410 | 2370550 | TWT3410 | 2370555 | TWT5610 | 2370560 |
| TWT2610 | 2370551 | TWT3810 | 2370556 | TWT6210 | 2370561 |
| TWT2810 | 2370552 | TWT31010 | 2370557 | | |

Bracket Package with Shims - Art Glass / Top and Bottom

| Order No. |
|-----------|
| 2370020 |

Screw Package - Art Glass

| Description | Order No. |
|------------------------------|-----------|
| AG 1 X 5 STD Brass Oval Head | 2370026 |

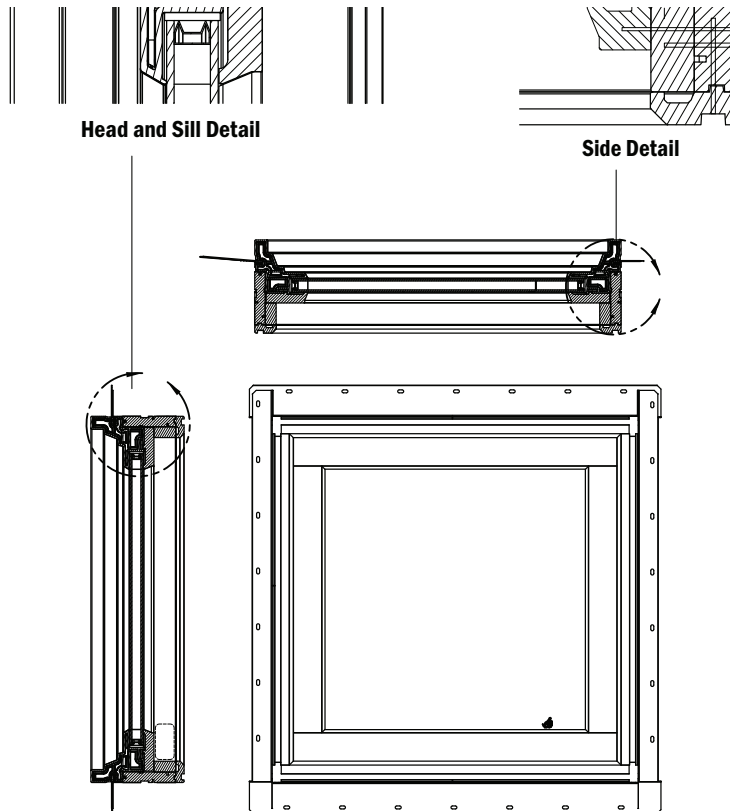
400 Series Tilt-Wash Transom Window (TWT) (2006 to Present)

Stormwatch® Protection (Coastal Product)

Andersen® products with Stormwatch® Protection are designed for use in coastal areas. They feature design pressure upgrades, glass options, and structural enhancements.

DP Upgrade and Impact Resistant Window Assembly

Window Assembly - DP Upgrade and Impact Resistant



Manufactured June 2006 to present

**DP Upgrade and Impact Resistant
Tilt-Wash Transom (TWT) Window Assembly**

Unit viewed from exterior.

Glass (Impact Resistant)

| Glass - (Impact Resistant) | | | | | |
|---|------------------|-----------------|------------------|-----------------|------------------|
| Glass - High-Performance™ Low-E4® (Impact Resistant) | | | | | |
| Unit No. | Order No. | Unit No. | Order No. | Unit No. | Order No. |
| TWT1810 | 1641145 | TWT2417 | 1641171 | TWT3021 | 1641209 |
| TWT1815 | 1641146 | TWT24111 | 1641176 | TWT3023 | 1641210 |
| TWT1817 | 1641147 | TWT2421 | 1641172 | TWT3027 | 1641211 |
| TWT18111 | 1641152 | TWT2423 | 1641173 | TWT3031 | 1641212 |
| TWT1821 | 1641148 | TWT2427 | 1641174 | TWT31010 | 1641214 |
| TWT1823 | 1641149 | TWT2431 | 1641175 | TWT3410 | 1641222 |
| TWT1827 | 1641150 | TWT2610 | 1641177 | TWT3415 | 1641216 |
| TWT1831 | 1641151 | TWT2615 | 1641178 | TWT3417 | 1641217 |
| TWT2010 | 1641153 | TWT2617 | 1641179 | TWT34111 | 1641215 |
| TWT2015 | 1641154 | TWT26111 | 1641184 | TWT3421 | 1641218 |
| TWT2017 | 1641155 | TWT2621 | 1641180 | TWT3423 | 1641219 |
| TWT20111 | 1641160 | TWT2623 | 1641181 | TWT3427 | 1641220 |
| TWT2021 | 1641156 | TWT2627 | 1641182 | TWT3431 | 1641221 |
| TWT2023 | 1641157 | TWT2631 | 1641183 | TWT3810 | 1641223 |
| TWT2027 | 1641158 | TWT2810 | 1641185 | TWT3815 | 1641224 |
| TWT2031 | 1641159 | TWT2815 | 1641186 | TWT3817 | 1641225 |
| TWT21010 | 1641161 | TWT2817 | 1641187 | TWT38111 | 1641232 |
| TWT21015 | 1641162 | TWT28111 | 1641205 | TWT3821 | 1641226 |
| TWT21017 | 1641163 | TWT2821 | 1641201 | TWT3823 | 1641227 |
| TWT210111 | 1641168 | TWT2823 | 1641202 | TWT3827 | 1641230 |
| TWT21021 | 1641164 | TWT2827 | 1641203 | TWT3831 | 1641231 |
| TWT21023 | 1641165 | TWT2831 | 1641204 | TWT41010 | 1641233 |
| TWT21027 | 1641166 | TWT3010 | 1641206 | TWT4210 | 1641234 |
| TWT21031 | 1641167 | TWT3015 | 1641207 | TWT5610 | 1641235 |
| TWT2410 | 1641169 | TWT3017 | 1641208 | TWT6210 | 1641236 |
| TWT2415 | 1641170 | TWT30111 | 1641213 | | |

400 Series Tilt-Wash Transom Window (TWT) (2006 to Present)

Stormwatch® Protection (Coastal Product)

Glass (Impact Resistant)

| Glass - High-Performance™ Low-E4® Sun 3 (Impact Resistant) | | | | | |
|---|------------------|-----------------|------------------|-----------------|------------------|
| Unit No. | Order No. | Unit No. | Order No. | Unit No. | Order No. |
| TWT1810 | 1641733 | TWT2417 | 1641759 | TWT3021 | 1641784 |
| TWT1815 | 1641734 | TWT24111 | 1641764 | TWT3023 | 1641785 |
| TWT1817 | 1641735 | TWT2421 | 1641760 | TWT3027 | 1641786 |
| TWT18111 | 1641740 | TWT2423 | 1641761 | TWT3031 | 1641787 |
| TWT1821 | 1641736 | TWT2427 | 1641762 | TWT31010 | 1643202 |
| TWT1823 | 1641737 | TWT2431 | 1641763 | TWT3410 | 1643203 |
| TWT1827 | 1641738 | TWT2610 | 1641765 | TWT3415 | 1643204 |
| TWT1831 | 1641739 | TWT2615 | 1641766 | TWT3417 | 1643205 |
| TWT2010 | 1641741 | TWT2617 | 1641767 | TWT34111 | 1643210 |
| TWT2015 | 1641742 | TWT26111 | 1641772 | TWT3421 | 1643206 |
| TWT2017 | 1641743 | TWT2621 | 1641768 | TWT3423 | 1643207 |
| TWT20111 | 1641748 | TWT2623 | 1641769 | TWT3427 | 1643208 |
| TWT2021 | 1641744 | TWT2627 | 1641770 | TWT3431 | 1643209 |
| TWT2023 | 1641745 | TWT2631 | 1641771 | TWT3810 | 1643211 |
| TWT2027 | 1641746 | TWT2810 | 1641773 | TWT3815 | 1643212 |
| TWT2031 | 1641747 | TWT2815 | 1641774 | TWT3817 | 1643213 |
| TWT21010 | 1641749 | TWT2817 | 1641775 | TWT38111 | 1643218 |
| TWT21015 | 1641750 | TWT28111 | 1641780 | TWT3821 | 1643214 |
| TWT21017 | 1641751 | TWT2821 | 1641776 | TWT3823 | 1643215 |
| TWT210111 | 1641756 | TWT2823 | 1641777 | TWT3827 | 1643216 |
| TWT21021 | 1641752 | TWT2827 | 1641778 | TWT3831 | 1643217 |
| TWT21023 | 1641753 | TWT2831 | 1641779 | TWT41010 | 1643515 |
| TWT21027 | 1641754 | TWT3010 | 1641781 | TWT4210 | 1643516 |
| TWT21031 | 1641755 | TWT3015 | 1641782 | TWT5610 | 1643517 |
| TWT2410 | 1641757 | TWT3017 | 1641783 | TWT6210 | 1643518 |
| TWT2415 | 1641758 | TWT30111 | 1643201 | | |

Frames (Impact Resistant)

Installation Kit

Installation Kit (Impact Resistant)

Kit includes:

12 Side jamb clips, 24 8 x 5/8 18-8 PH #6 Truss HD T-17 screws, instruction sheet, and warranty card

Order No.

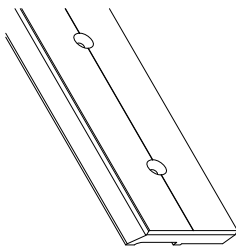
1611985

Glass Stops (Impact Resistant)

Glass Stop - Side (Impact Resistant)

Note:

Replace with standard side stop, [page 25](#)



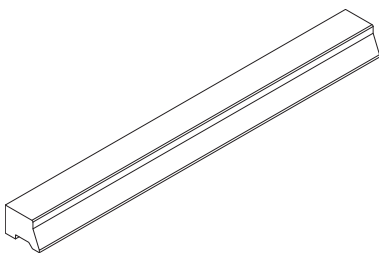
| Unit No. | Length | Pine | Painted White |
|----------|---------------------------------|------|---------------|
| TWT10 | 5 ²⁵ / ₃₂ | N/A | N/A |
| TWT15 | 13 ³ / ₃₂ | | |
| TWT17 | 15 ³ / ₃₂ | | |
| TWT111 | 19 ³ / ₃₂ | | |
| TWT21 | 21 ³ / ₃₂ | | |
| TWT23 | 23 ³ / ₃₂ | | |
| TWT27 | 27 ³ / ₃₂ | | |
| TWT31 | 33 ³ / ₃₂ | | |

Reinforced Stops - Side (Impact Resistant)

Reinforced Stop - Side (Impact Resistant)

Note:

Replace with standard side stop, [page 25](#)

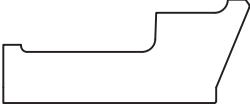



| Unit No. | Length | Pine | Painted White |
|----------|--------------------------------|------|---------------|
| TWT10 | 9 ⁵ / ₁₆ | N/A | N/A |
| TWT15 | 16 ⁵ / ₈ | | |
| TWT17 | 18 ⁵ / ₈ | | |
| TWT111 | 22 ⁵ / ₈ | | |
| TWT21 | 24 ⁵ / ₈ | | |
| TWT23 | 26 ⁵ / ₈ | | |
| TWT27 | 30 ⁵ / ₈ | | |
| TWT31 | 36 ⁵ / ₈ | | |

400 Series Tilt-Wash Transom Window (TWT) (2006 to Present)

Stormwatch® Protection (Coastal Product)

Frames (Impact Resistant)

| Reinforced Stop - Side (Monolithic) | | | | |
|---|----------|---------|---------|---------|
|  | Unit No. | Length | Pine | White |
| | TWT10 | 6 1/8 | 9015556 | 9015557 |
| | TWT15 | 13 7/16 | 9015558 | 9015559 |
| | TWT17 | 15 7/16 | 9015560 | 9015561 |
| | TWT111 | 19 7/16 | 9015562 | 9015563 |
| | TWT21 | 21 7/16 | 9015564 | 9015565 |
| | TWT23 | 23 7/16 | 9015566 | 9015567 |
| | TWT27 | 27 7/16 | 9015568 | 9015569 |
| | TWT31 | 33 7/16 | 9015570 | 9015571 |

| Reinforced Stop - Head and Sill (Monolithic) | | | | |
|---|----------|---------|---------|---------|
|  | Unit No. | Length | Pine | White |
| | TWT18 | 19 7/8 | 9015528 | 9015529 |
| | TWT20 | 23 7/8 | 9015530 | 9015531 |
| | TWT24 | 27 7/8 | 9015532 | 9015533 |
| | TWT26 | 29 7/8 | 9015634 | 9015535 |
| | TWT28 | 31 7/8 | 9015536 | 9015537 |
| | TWT210 | 33 7/8 | 9015538 | 9015539 |
| | TWT30 | 35 7/8 | 9015540 | 9015541 |
| | TWT34 | 39 7/8 | 9015542 | 9015543 |
| | TWT38 | 43 7/8 | 9015544 | 9015545 |
| | TWT310 | 45 9/16 | 9015546 | 9015547 |
| | TWT42 | 49 9/16 | 9015548 | 9015549 |
| | TWT410 | 57 9/16 | 9015550 | 9015551 |
| | TWT56 | 65 9/16 | 9015552 | 9015553 |
| | TWT62 | 73 9/16 | 9015554 | 9015555 |

Notes

400 Series Tilt-Wash Transom Window (TWT) (2006 to Present)

Service Replacement

Service Replacement Only Parts

Service Replacement Only Parts

Note:

This section is specifically designed for parts that should only be ordered if a Territory Service Manager/Service Provider Company has requested them to be ordered or if the customer agrees to also pay for a non-warranty repair/replace service job (subject to availability) for these parts to be installed. We do not recommend anyone other than a trained AW employee or Service Provider install these parts due to the complexity of installation, modifications required for installation and/or requirement of special tools.

Cartons

Note:

Ship via van only.

Cartons - Unit

| Unit No. | Order No. | Unit No. | Order No. | Unit No. | Order No. |
|----------|-----------|----------|-----------|----------|-----------|
| TWT2010 | 4686172 | TWT2417 | 4686213 | TWT2431 | 4686220 |
| TWT2410 | 4686174 | TWT2815 | 4686214 | TWT2831 | 4686221 |
| TWT2810 | 4686176 | TWT2817 | 4686215 | TWT3031 | 4686222 |
| TWT3010 | 4686178 | TWT3015 | 4686216 | TWT3431 | 4686223 |
| TWT3410 | 4686180 | TWT3017 | 4686217 | TWT3831 | 4686224 |
| TWT6210 | 4686192 | TWT1831 | 4686218 | TWT2631 | 4686226 |
| TWT2415 | 4686212 | TWT2031 | 4686219 | TWT21031 | 4686227 |

Cartons - Unit / 6 9/16

| Unit No. | Order No. | Unit No. | Order No. | Unit No. | Order No. |
|----------|-----------|----------|-----------|----------|-----------|
| TWT1831 | 4687579 | TWT2831 | 4687583 | TWT3831 | 4687587 |
| TWT2031 | 4687580 | TWT21031 | 4687584 | TWT2810 | 4687588 |
| TWT2431 | 4687581 | TWT3031 | 4687585 | TWT3010 | 4687589 |
| TWT2631 | 4687582 | TWT3431 | 4687586 | TWT6210 | 4687590 |

Notes
