

**What's in This Section**

<b>Conversion Kits</b> .....	<b>Page 3</b>
<b>Conversion Kits</b> .....	<b>3</b>
Conversion Kits .....	3
<b>Unit Sizes</b> .....	<b>7</b>
200/400 Series Product Label .....	7
Unit Size Chart .....	8
<b>Sash</b> .....	<b>9</b>
Sash - Upper and Lower / Conversion Kit .....	9
Sash Hardware - Lifts .....	10
Sash Hardware - Lock Kits/Components .....	12
Sash Hardware - Opening Control Device .....	14
Shim Kits/Components .....	15
Weatherstrip .....	16
<b>Sash Balancers</b> .....	<b>18</b>
Balancers - Conversion Kit .....	18
<b>Frames</b> .....	<b>23</b>
Jamb Liners - Conversion Kit .....	23
Retainers - Conversion Kit .....	23
Exterior Stops .....	23
Plugs .....	24
Conversion Kit Parts .....	24
Installation Materials .....	24



# Conversion Kit Double-Hung Windows (1995 to Present)

## Conversion Kits

### Conversion Kits

#### Conversion Kits

**Note:**

Use to convert Perma-Shield® Narroline® white units from 1968 to 2013. Most 400 Series Tilt-Wash colors (currently Sandtone and Terratone®) glazings and grille options are available by description. Introduced in 1995. Do not use Conversion Kit with Combination Units dated March 1994 or earlier. Date of manufacture is printed on the outer edge of the combination frame. If "AW" is not molded into the handle of the lower panel, the Combination Unit predates March 1994. Sash are standard Tilt-Wash sash that ship with hardware and will not have grommets, using 5/2010 - 8/2017 vintage sash for the 310 and 46 sizes and the 5/2010 - Present version for all other sizes. Current style (metal stone w/pine and metal white w/white PI finish) hardware shipped.

See [Accessory Guide 0005060](#). See [Conversion Kit Installation Video](#).



#### Conversion Kit - High-Performance™ Low-E4®

**Kit includes:**

Sash, jamb liner assemblies, retainers, wash instructions, and insect screen warning label. Sash are standard Tilt-Wash sash that ship with hardware and will not have grommets. Most Tilt-Wash glazing and grille options are available by description. Order PSNL full insect screens as needed. C after unit No. indicates cottage style unit.

Unit No.	Pine Interior White Exterior	Prefinished White Interior/ White Exterior	Unit No.	Pine Interior White Exterior	Prefinished White Interior/ White Exterior	Unit No.	Pine Interior White Exterior	Prefinished White Interior/ White Exterior
18210	1600301	1600411	2442	1600320	1600430	3056C	1600339	1600449
1832	1600302	1600412	2446	1600321	1600431	3062	1600340	1600450
18310	1600303	1600413	2452	1600322	1600432	34210	1600341	1600451
1842	1600304	1600414	2456C	1600323	1600433	3432	1600342	1600452
1846	1600305	1600415	2462	1600324	1600434	34310	1600343	1600453
1852	1600306	1600416	28210	1600325	1600435	3442	1600344	1600454
1856C	1600307	1600417	2832	1600326	1600436	3446	1600345	1600455
1862	1600308	1600418	28310	1600327	1600437	3452	1600346	1600456
20210	1600309	1600419	2842	1600328	1600438	3456C	1600347	1600457
2032	1600310	1600420	2846	1600329	1600439	3462	1600348	1600458
20310	1600311	1600421	2852	1600330	1600440	38210	1600349	1600459
2042	1600312	1600422	2856C	1600331	1600441	3832	1600350	1600460
2046	1600313	1600423	2862	1600332	1600442	38310	1600351	1600461
2052	1600314	1600424	30210	1600333	1600443	3842	1600352	1600462
2056C	1600315	1600425	3032	1600334	1600444	3846	1600353	1600463
2062	1600316	1600426	30310	1600335	1600445	3852	1600354	1600464
24210	1600317	1600427	3042	1600336	1600446	3856C	1600355	1600465
2432	1600318	1600428	3046	1600337	1600447	3862	1600356	1600466
24310	1600319	1600429	3052	1600338	1600448			

## Conversion Kits

Conversion Kit - High-Performance™ Low-E4® Sun 3								
Unit No.	Pine Interior White Exterior	Prefinished White Interior/ White Exterior	Unit No.	Pine Interior White Exterior	Prefinished White Interior/ White Exterior	Unit No.	Pine Interior White Exterior	Prefinished White Interior/ White Exterior
<b>18210</b>	1601640	1601901	<b>2442</b>	1601659	1601920	<b>3056C</b>	1601678	1601939
<b>1832</b>	1601641	1601902	<b>2446</b>	1601660	1601921	<b>3062</b>	1601679	1601940
<b>18310</b>	1601642	1601903	<b>2452</b>	1601661	1601922	<b>34210</b>	1601680	1601941
<b>1842</b>	1601643	1601904	<b>2456C</b>	1601662	1601923	<b>3432</b>	1601681	1601942
<b>1846</b>	1601644	1601905	<b>2462</b>	1601663	1601924	<b>34310</b>	1601682	1601943
<b>1852</b>	1601645	1601906	<b>28210</b>	1601664	1601925	<b>3442</b>	1601683	1601944
<b>1856C</b>	1601646	1601907	<b>2832</b>	1601665	1601926	<b>3446</b>	1601684	1601945
<b>1862</b>	1601647	1601908	<b>28310</b>	1601666	1601927	<b>3452</b>	1601685	1601946
<b>20210</b>	1601648	1601909	<b>2842</b>	1601667	1601928	<b>3456C</b>	1601686	1601947
<b>2032</b>	1601649	1601910	<b>2846</b>	1601668	1601929	<b>3462</b>	1601687	1601948
<b>20310</b>	1601650	1601911	<b>2852</b>	1601669	1601930	<b>38210</b>	1601688	1601949
<b>2042</b>	1601651	1601912	<b>2856C</b>	1601670	1601931	<b>3832</b>	1601689	1601950
<b>2046</b>	1601652	1601913	<b>2862</b>	1601671	1601932	<b>38310</b>	1601690	1601951
<b>2052</b>	1601653	1601914	<b>30210</b>	1601672	1601933	<b>3842</b>	1601691	1601952
<b>2056C</b>	1601654	1601915	<b>3032</b>	1601673	1601934	<b>3846</b>	1601692	1601953
<b>2062</b>	1601655	1601916	<b>30310</b>	1601674	1601935	<b>3852</b>	1601693	1601954
<b>24210</b>	1601656	1601917	<b>3042</b>	1601675	1601936	<b>3856C</b>	1601694	1601955
<b>2432</b>	1601657	1601918	<b>3046</b>	1601676	1601937	<b>3862</b>	1601695	1601956
<b>24310</b>	1601658	1601919	<b>3052</b>	1601677	1601938			

# Conversion Kit Double-Hung Windows (1995 to Present)

*Conversion Kits*

## Conversion Kits

Conversion Kit - High-Performance™ Low-E4® Tempered								
Unit No.	Pine Interior White Exterior	Prefinished White Interior/ White Exterior	Unit No.	Pine Interior White Exterior	Prefinished White Interior/ White Exterior	Unit No.	Pine Interior White Exterior	Prefinished White Interior/ White Exterior
<b>18210</b>	By Description	By Description	<b>2442</b>	1602163	1603863	<b>3056C</b>	1602182	1603882
<b>1832</b>	By Description	By Description	<b>2446</b>	1602164	1603864	<b>3062</b>	1602183	1603883
<b>18310</b>	By Description	By Description	<b>2452</b>	1602165	1603865	<b>34210</b>	By Description	By Description
<b>1842</b>	1602147	1603847	<b>2456C</b>	By Description	By Description	<b>3432</b>	By Description	By Description
<b>1846</b>	1602148	1603848	<b>2462</b>	By Description	By Description	<b>34310</b>	1602186	1603886
<b>1852</b>	By Description	By Description	<b>28210</b>	1602168	1603868	<b>3442</b>	By Description	By Description
<b>1856C</b>	By Description	By Description	<b>2832</b>	1602169	1603869	<b>3446</b>	1602188	1603888
<b>1862</b>	By Description	By Description	<b>28310</b>	1602170	1603870	<b>3452</b>	By Description	By Description
<b>20210</b>	1602152	1603852	<b>2842</b>	1602171	1603871	<b>3456C</b>	By Description	By Description
<b>2032</b>	1602153	1603853	<b>2846</b>	1602172	1603872	<b>3462</b>	By Description	By Description
<b>20310</b>	1602154	1603854	<b>2852</b>	1602173	1603873	<b>38210</b>	By Description	By Description
<b>2042</b>	1602155	1603855	<b>2856C</b>	1602174	1603874	<b>3832</b>	By Description	By Description
<b>2046</b>	1602156	1603856	<b>2862</b>	1602175	1603875	<b>38310</b>	By Description	By Description
<b>2052</b>	1602157	1603857	<b>30210</b>	1602176	1603876	<b>3842</b>	By Description	By Description
<b>2056C</b>	By Description	By Description	<b>3032</b>	1602177	1603877	<b>3846</b>	1602196	1603896
<b>2062</b>	By Description	By Description	<b>30310</b>	1602178	1603878	<b>3852</b>	By Description	By Description
<b>24210</b>	By Description	By Description	<b>3042</b>	1602179	1603879	<b>3856C</b>	By Description	By Description
<b>2432</b>	1602161	1603861	<b>3046</b>	1602180	1603880	<b>3862</b>	By Description	By Description
<b>24310</b>	1602162	1603862	<b>3052</b>	1602181	1603881			

## Conversion Kits

<b>Conversion Kit - High-Performance™ Finelight</b>								
<b>Kit Includes:</b>								
Sash, jamb liner assemblies, retainers, wash instructions, and insect screen warning label. Sash are standard Tilt-Wash sash that ship with hardware and will not have grommets.								
Most Tilt-Wash glazing and grille options are available by description. Order PSNL full insect screens as needed.								
C after unit No. indicates cottage style unit.								
Unit No.	Exterior		Unit No.	Exterior		Unit No.	Exterior	
	White	White		White	White		White	White
	Interior			Interior			Interior	
	PINE	PI White		PINE	PI White		PINE	PI White
<b>18210</b>	9132314	9132366	<b>2442</b>	9132331	9132385	<b>3056C</b>	9132350	9132404
<b>1832</b>	9132315	9132367	<b>2446</b>	9132332	9132386	<b>3062</b>	9132351	9132405
<b>18310</b>	9132316	9132368	<b>2452</b>	9132333	9132387	<b>34210</b>	9132352	9132406
<b>1842</b>	9132317	9132369	<b>2456C</b>	9132334	9132388	<b>3432</b>	9132353	9132407
<b>1846</b>	9132318	9132370	<b>2462</b>	9132335	9132389	<b>34310</b>	9132354	9132408
<b>1852</b>	9132319	9132371	<b>28210</b>	9132336	9132390	<b>3442</b>	9132355	9132409
<b>1856C</b>	By description	9132372	<b>2832</b>	9132337	9132391	<b>3446</b>	9132356	9132410
<b>1862</b>	9132320	9132373	<b>28310</b>	9132338	9132392	<b>3452</b>	9132357	9132411
<b>20210</b>	9132321	9132374	<b>2842</b>	9132339	9132393	<b>3456C</b>	9132358	9132412
<b>2032</b>	9132322	9132375	<b>2846</b>	9132340	9132394	<b>3462</b>	9132359	9132413
<b>20310</b>	9132323	9132376	<b>2852</b>	9132341	9132395	<b>38210</b>	9132360	9132414
<b>2042</b>	9132324	9132377	<b>2856C</b>	9132342	9132396	<b>3832</b>	9132361	9132415
<b>2046</b>	9132325	9132378	<b>2862</b>	9132343	9132397	<b>38310</b>	9132362	9132416
<b>2052</b>	9132326	9132379	<b>30210</b>	9132344	9132398	<b>3842</b>	9132363	9132417
<b>2056C</b>	By description	9132380	<b>3032</b>	9132345	9132399	<b>3846</b>	9132364	9132418
<b>2062</b>	9132327	9132381	<b>30310</b>	9132346	9132400	<b>3852</b>	9132365	9132419
<b>24210</b>	9132328	9132382	<b>3042</b>	9132347	9132401	<b>3856C</b>	By description	9132420
<b>2432</b>	9132329	9132383	<b>3046</b>	9132348	9132402	<b>3862</b>	By description	9132421
<b>24310</b>	9132330	9132384	<b>3052</b>	9132349	9132403			

# Conversion Kit Double-Hung Windows (1995 to Present)

*Conversion Kits*

## Unit Sizes

### 200/400 Series Product Label

**Note:**

Perma-Shield® Narroline® Conversion Kit Windows do NOT have a Product Label.

## Unit Sizes

### Unit Size Chart

**Note:**

Unobstructed/visible glass dimensions shown identify dimensions for existing Perma-Shield® Narroline Windows.

See [Measuring Visible Glass Video](#).

**Table of Basic Unit Sizes**      Scale  $\frac{1}{8}'' = 1'-0''$  (1:96)

Unobstructed Glass	16 $\frac{7}{16}''$	20 $\frac{7}{16}''$	24 $\frac{7}{16}''$	28 $\frac{7}{16}''$	32 $\frac{7}{16}''$	36 $\frac{7}{16}''$	40 $\frac{7}{16}''$
13 $\frac{15}{16}''$							
	18210	20210	24210	28210	30210	34210	38210
15 $\frac{15}{16}''$							
	1832	2032	2432	2832	3032	3432	3832
19 $\frac{15}{16}''$							
	18310	20310	24310	28310	30310	34310	38310
21 $\frac{15}{16}''$							
	1842	2042	2442	2842	3042	3442	3842
23 $\frac{15}{16}''$							
	1846	2046	2446	2846	3046	3446	3846
27 $\frac{15}{16}''$							
	1852	2052	2452	2852	3052	3452	3852
35 $\frac{15}{16}''$							
	1856	2056	2456	2856	3056	3456	3856
33 $\frac{15}{16}''$							
	1862	2062	2462	2862	3062	3462	3862

**Perma-Shield® Narroline® Window Unit Sizes**



# Conversion Kit Double-Hung Windows (1995 to Present)

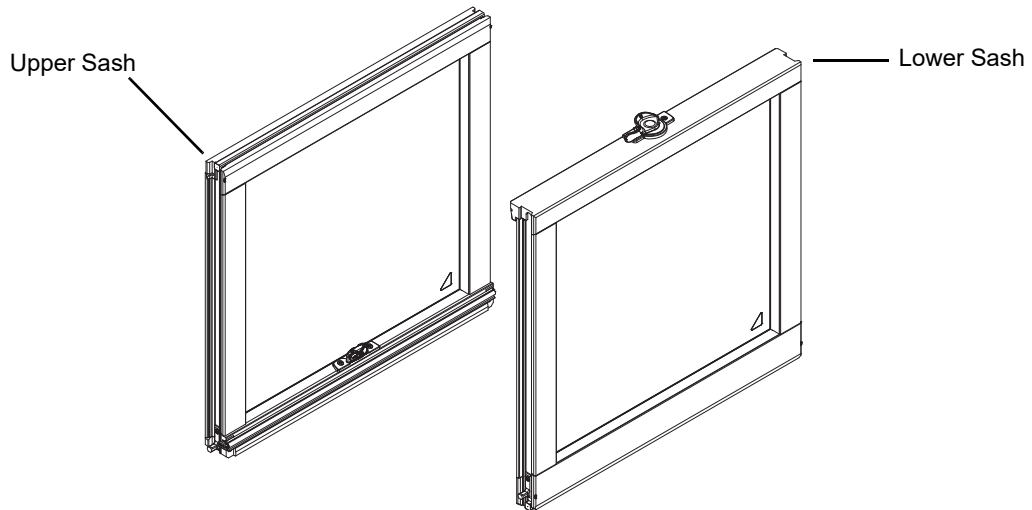
Conversion Kits

## Sash

### Sash - Upper and Lower / Conversion Kit

**Note:**

Conversion kit sash are standard Tilt-Wash sash. See [Tilt-Wash](#) section for parts not listed and replacement sash. Use 5/2010 - 8/2017 vintage sash for the 310 and 46 sizes. Use the 5/2010 - Present version sash for all other sizes.



## Sash

### Sash Hardware - Lifts

**Note:**

See [Accessory Guide 9166501](#). See [Installation Video](#).

#### Lift w/Screws - Contemporary (8/2017 - Present)

	<b>Bar Lift w/Screws</b>	
<b>Color</b>	<b>Order No.</b>	
White	9160290	
Stone	9160291	
Gold Dust	9160288	
Black	9160289	
Bright Brass	9160281	
Satin Nickel	9160285	
Oil-Rubbed Bronze	9160283	
Antique Brass	9160280	
Brushed Chrome	9160282	
Polished Chrome	9160284	
Distressed Bronze	9160286	
Distressed Nickel	9160287	

#### Lift w/Screws - Traditional (8/2017 - Present)

**Note:**

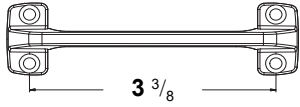
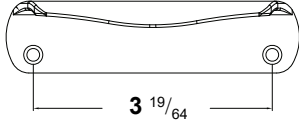
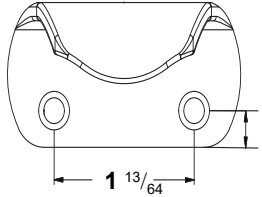
For sash manufactured from 1994 to July 2017 see vintage Traditional style lifts in [A-Series Double-Hung](#) section. Hand lift quantity of one, finger lift quantity of two. See [Accessory Guide 9166501](#). See [Accessory Guide 9159962](#).

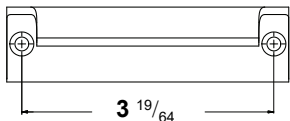
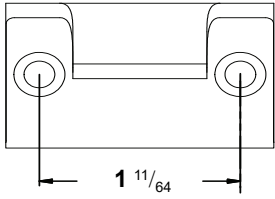
	<b>Bar Lift w/Screws</b>	<b>Hand Lift w/Screws</b>	<b>Finger Lift w/Screws</b>
<b>Color</b>	<b>Order No.</b>	<b>Order No.</b>	<b>Order No.</b>
White	9159470	9159482	9159494
Stone	9159471	9159483	9159495
Gold Dust	9159468	9159480	9159492
Black	9159469	9159481	9159493
Bright Brass	9159461	9159473	9159485
Satin Nickel	9159465	9159476	9159489
Oil-Rubbed Bronze	9159463	9159475	9159487
Antique Brass	9159460	9159472	9159484
Brushed Chrome	9159462	9159474	9159486
Polished Chrome	9159464	9159477	9159488
Distressed Bronze	9159466	9159478	9159490
Distressed Nickel	9159467	9159479	9159491

# Conversion Kit Double-Hung Windows (1995 to Present)

Conversion Kits

## Sash

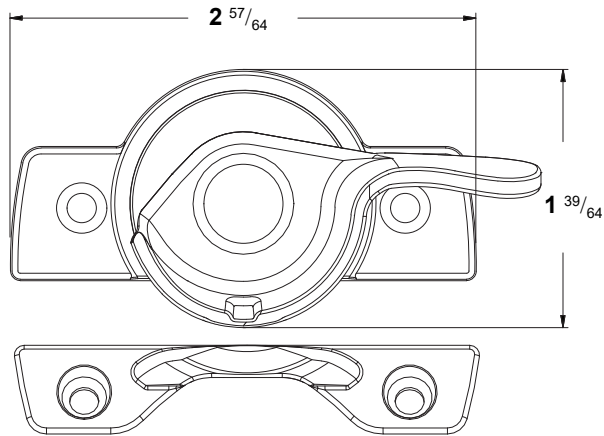
Lift w/Screws - Classic			
<b>Note:</b> See <a href="#">Accessory Guide 9011003</a> . Bar lift and hand lift quantity of one, finger lift quantity of two.			
	 <p style="text-align: center;"><math>3 \frac{3}{8}</math></p>	 <p style="text-align: center;"><math>3 \frac{19}{64}</math></p>	 <p style="text-align: center;"><math>1 \frac{13}{64}</math></p>
	<b>Sash Lift - Bar Classic with Screws</b>	<b>Sash Lift - Hand Classic with Screws</b>	<b>Sash Lift - Finger Classic with Screws</b>
<b>Color</b>	<b>Order No.</b>	<b>Order No.</b>	<b>Order No.</b>
White	1630025	1643002	1643004
Stone	1630027	1643001	1643003

Lift w/Screws - Estate		
<b>Note:</b> See <a href="#">Accessory Guide 9011003</a> . Bar lift and hand lift quantity of one, finger lift quantity of two.		
	 <p style="text-align: center;"><math>3 \frac{19}{64}</math></p>	 <p style="text-align: center;"><math>1 \frac{11}{64}</math></p>
	<b>Sash Lift - Hand Estate with Screws</b>	<b>Sash Lift - Finger Estate with Screws</b>
<b>Color</b>	<b>Order No.</b>	<b>Order No.</b>
Antique Brass	1600694	1600693
Bright Brass	1643043	1643040
Chrome	1643045	1643042
Brushed Chrome	1600404	1600402
Satin Nickel	1642922	1642920
Oil Rubbed Bronze	1642921	1642919
Distressed Bronze	1642932	1642931
Distressed Nickel	1600405	1600403

## Sash

### Sash Hardware - Lock Kits/Components

#### Lock Kit - Traditional

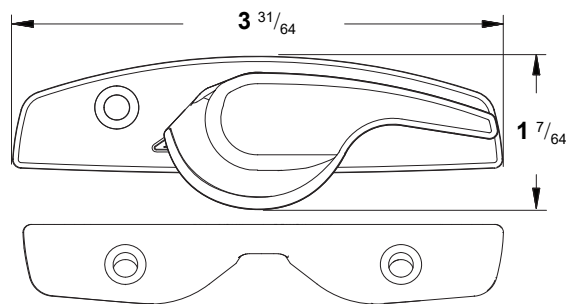


**Kit includes:**  
Lock, keeper and screws.

**Note:**  
Can be used as an upgrade on sash with flush mount hardware.

Finish	Order No.
Stone	9069432
White	9069433
Black	9069434
Gold Dust	9069435

#### Lock Kit - Flush Mount / Composite



**Kit includes:**  
Lock, keeper and screws

**Note:**  
Originally this lock was metal, and now it is composite. Used as standard from 1992-2013. Replaces all previous vintage lock hardware.

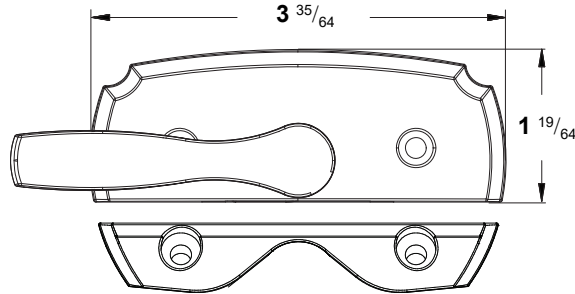
Finish	Order No.
Stone	1630020
White	1630029

# Conversion Kit Double-Hung Windows (1995 to Present)

Conversion Kits

## Sash

### Lock Kit - Flush Mount / Estate



**Kit Includes:**

Instruction sheet, screw package, lock and keeper.

**Note:**

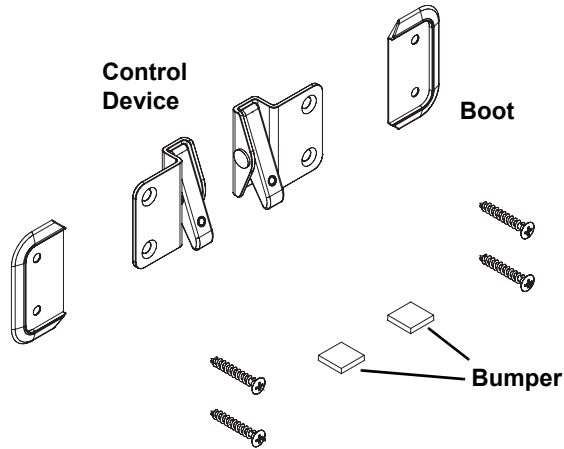
Can be used as an upgrade to standard hardware.

Finish	Order No.
Antique Brass	1600695
Bright Brass	1669321
Chrome	1669323
Brushed Chrome	1600406
Satin Nickel	1642924
Oil Rubbed Bronze	1642923
Distressed Bronze	1600407
Distressed Nickel	1600401

## Sash

### Sash Hardware - Opening Control Device

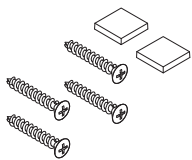
#### Opening Control Device Kit



**Kit Includes:**  
 (2) Opening control devices  
 (2) Boots  
 (2) Bumpers  
 (4) Screws  
[Accessory Guide 9021977](#)

	Finish	Order No.
	Stone	9021976
	White	9021975

#### Screw Pack - Opening Control Device Kit



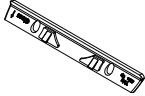

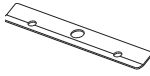
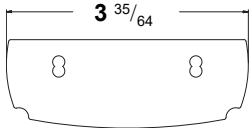
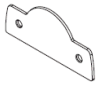
**Kit Includes:**  
 (2) Bumpers  
 (4) Screws

	Color	Order No.
	Stone	9031536
	White	9031535

# Conversion Kit Double-Hung Windows (1995 to Present)

Conversion Kits

## Sash

Shim Kits/Components					
Shim Kits					
					
		<b>Classic</b>		<b>Estate</b>	<b>Traditional</b>
<b>Color</b>	<b>Keeper</b>	<b>Lock</b>	<b>Keeper</b>	<b>Lock</b>	<b>Kit (Lock &amp; Keeper)</b>
White	0100083	1646144	1646143	9173745	9069437
Stone	0100085	1152528	1152527	9173746	9069436
Black	-	-	-	-	9069438
Gold Dust	-	-	-	-	9069439

## Sash

### Weatherstrip

**Note:**

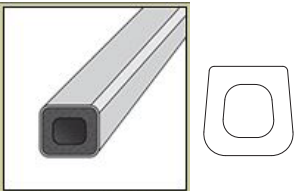
See [Weatherstrip Replacement Video](#).

#### Weatherstrip - Top and Bottom Rail (10/2019 - Present)

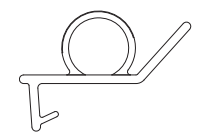
**Note:**

Cut to size. Replaces previous vintages of top/bottom rail weatherstrip.

Adhere with 1/8" bead of [Andersen Installation Sealant](#). See [Service Guide 9183983](#).

 <p>Top or Bottom Rail</p>		<b>Unit No.</b>	<b>Black</b>
		<b>TW38</b>	9181571

### Weatherstrip - HDN / Upper Check Rail


		<b>Unit No.</b>	<b>Dimensions</b>	<b>Order No.</b>
		<b>TW18</b>	18 <sup>9</sup> / <sub>32</sub>	1631836
		<b>TW20</b>	22 <sup>9</sup> / <sub>32</sub>	1631837
		<b>TW24</b>	26 <sup>9</sup> / <sub>32</sub>	1631838
		<b>TW26</b>	28 <sup>9</sup> / <sub>32</sub>	1631843
		<b>TW28</b>	30 <sup>9</sup> / <sub>32</sub>	1631839
		<b>TW210</b>	32 <sup>9</sup> / <sub>32</sub>	1631844
		<b>TW30</b>	34 <sup>9</sup> / <sub>32</sub>	1631840
		<b>TW34</b>	38 <sup>9</sup> / <sub>32</sub>	1631841
	<b>TW38</b>	42 <sup>9</sup> / <sub>32</sub>	1631842	



# Conversion Kit Double-Hung Windows (1995 to Present)

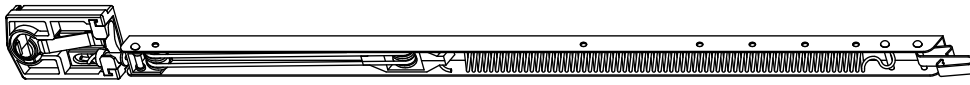
Conversion Kits

## Sash

Weatherstrip - Side / Stile				
	<b>Note:</b> Ships as a quantity of one. The 310 and 46 height sizes are unique in length with two separate part numbers for the weatherstrip used on upper and lower sash. Other height sizes to be used with upper <b>and</b> lower sash. See Dealer Bulletin 61-16 for more details.	Unit No.	Dimensions	Order No.
		<b>TW210</b>	16 <sup>15</sup> / <sub>16</sub>	1631540
		<b>TW32</b>	18 <sup>15</sup> / <sub>16</sub>	1631541
		<b>TW36</b>	20 <sup>15</sup> / <sub>16</sub>	1631560
		<b>TW310 Lower</b> <i>(9/2017 - Present)</i>	22 <sup>7</sup> / <sub>16</sub>	9168695
		<b>TW310</b> <i>(5/2010 - 8/2017)</i>	22 <sup>15</sup> / <sub>16</sub>	1631542
		<b>TW310 Upper</b> <i>(9/2017 - Present)</i>	23 <sup>7</sup> / <sub>16</sub>	9168694
		<b>TW42</b>	24 <sup>15</sup> / <sub>16</sub>	1631543
		<b>TW46 Lower</b> <i>(4/2017 - Present)</i>	26 <sup>7</sup> / <sub>16</sub>	9162508
		<b>TW46</b> <i>(5/2010 - 3/2017)</i>	26 <sup>15</sup> / <sub>16</sub>	1631544
		<b>TW46 Upper</b> <i>(4/2017 - Present)</i>	27 <sup>7</sup> / <sub>16</sub>	9161583
		<b>TW410</b>	28 <sup>15</sup> / <sub>16</sub>	1631561
		<b>TW52</b>	30 <sup>15</sup> / <sub>16</sub>	1631545
		<b>TW56E</b>	32 <sup>15</sup> / <sub>16</sub>	1631563
		<b>TW510</b>	34 <sup>15</sup> / <sub>16</sub>	1631562
		<b>TW62</b>	36 <sup>15</sup> / <sub>16</sub>	1631547
		<b>TW56C Lower</b> <i>(4/2017 - Present)</i>	38 <sup>7</sup> / <sub>16</sub>	9162509
		<b>TW56C</b>	38 <sup>15</sup> / <sub>16</sub>	1631546
		<b>TW56RC Upper</b> <i>(4/2017 - Present)</i>	39 <sup>7</sup> / <sub>16</sub>	9161584
		<b>TW72</b>	40 <sup>15</sup> / <sub>16</sub>	3870166
<b>TW76</b>	44 <sup>15</sup> / <sub>16</sub>	3870167		
<b>72 in</b>	72 <sup>15</sup> / <sub>16</sub>	1631514		

## Sash Balancers

### Balancers - Conversion Kit



**Perma-Shield® Narroline® Conversion Kit Balancer**

**Beginning in April of 2012, glass logo may be etched with 2.2 or 3.0 etchings.**

Sash made prior to April of 2012 use glass type to identify balancer needed.

Sash made after April 2012 use glass type and any 2.2 or 3.0 etching around logo to identify balancer needed.

Glass with 2.2 etchings will use Chart 1.

Glass with 3.0 etchings will use Chart 2.

See [Service Guide 0005181](#).

### Balancer Usage Chart

**Note for Chart 1:**

HP Low-E4®, HP Low-E4® Sun, HP-Low-E4® SmartSun™ and HP-Low-E4 PassiveSun™ manufactured prior to April 2012 will **not** have 2.2 etching, but will use Chart 1.

**Note for Chart 2:**

HP Low-E4® Tempered, HP Low-E4® Sun Tempered, HP Low-E4® SmartSun™ Tempered and HP Low-E4® PassiveSun™ will not have any 3.0 etching, but will use Chart 2.

	CHART 1	CHART 2
	HP Low-E4® (2.2) HP Low-E4® Sun (2.2) HP Low-E4® SmartSun™ (2.2) HP Low-E4® PassiveSun™ (2.2) Clear Dual Pane	HP Low-E4® (3.0) HP Low-E4® Sun (3.0) HP Low-E4® SmartSun™ (3.0) HP Low-E4® PassiveSun™ (3.0)  HP Low-E4® Tempered HP Low-E4® Sun Tempered HP Low-E4® SmartSun™ Tempered HP Low-E4® PassiveSun™ Tempered
Size	Upper and Lower	Upper and Lower
18210	CK414	CK414
1832	CK416	CK516
18310	CK520	CK620
1842	CK522	CK622
1846	CK524	CK724
1852	CK628	CK728
1856C	Upper: CK524/Lower: CK730	Upper: CK724/Lower: CK930
1856E	CK630	CK830

# Conversion Kit Double-Hung Windows (1995 to Present)

Conversion Kits

## Sash Balancers



### Balancer Usage Chart

**Note for Chart 1:**



HP Low-E4®, HP Low-E4® Sun, HP-Low-E4® SmartSun™ and HP-Low-E4 PassiveSun™ manufactured prior to April 2012 will **not** have 2.2 etching, but will use Chart 1.

**Note for Chart 2:**

HP Low-E4® Tempered, HP Low-E4® Sun Tempered, HP Low-E4® SmartSun™ Tempered and HP Low-E4® PassiveSun™ will not have any 3.0 etching, but will use Chart 2.

	CHART 1	CHART 2
	<p>HP Low-E4® (2.2)                      HP Low-E4® Sun (2.2)                      HP Low-E4® SmartSun™ (2.2)                      HP Low-E4® PassiveSun™ (2.2)                      Clear Dual Pane</p> 	<p>HP Low-E4® (3.0)                      HP Low-E4® Sun (3.0)                      HP Low-E4® SmartSun™ (3.0)                      HP Low-E4® PassiveSun™ (3.0)</p> <p>HP Low-E4® Tempered                      HP Low-E4® Sun Tempered                      HP Low-E4® SmartSun™ Tempered                      HP Low-E4® PassiveSun™ Tempered</p> 
Size	Upper and Lower	Upper and Lower
1862	CK734	CK934
20210	CK414	CK514
2032	CK516	CK616
20310	CK520	CK720
2042	CK622	CK722
2046	CK624	CK824
2052	CK728	CK928
2056C	Upper: CK624/Lower: CK830	Upper: CK824/Lower: CK1130
2056E	CK730	CK930
2062	CK834	CK1034
24210	CK514	CK614
2432	CK516	CK716
24310	CK620	CK820
2442	CK722	CK822
2446	CK724	CK924
2452	CK828	CK1028
2456C	Upper: CK724/Lower: CK930	Upper: CK924/Lower: CK1230
2456E	CK830	CK1130
2462	CK934	CK1234
2828	CK513	CK613
28210	CK514	CK714

## Sash Balancers

<b>Balancer Usage Chart</b>		
<p><b>Note for Chart 1:</b>                      HP Low-E4®, HP Low-E4® Sun, HP-Low-E4® SmartSun™ and HP-Low-E4 PassiveSun™ manufactured prior to April 2012 will <b>not</b> have 2.2 etching, but will use Chart 1.</p> <p><b>Note for Chart 2:</b>                      HP Low-E4® Tempered, HP Low-E4® Sun Tempered, HP Low-E4® SmartSun™ Tempered and HP Low-E4® PassiveSun™ will not have any 3.0 etching, but will use Chart 2.</p>		
	<b>CHART 1</b>	<b>CHART 2</b>
	HP Low-E4® (2.2) HP Low-E4® Sun (2.2) HP Low-E4® SmartSun™ (2.2) HP Low-E4® PassiveSun™ (2.2) Clear Dual Pane  	HP Low-E4® (3.0) HP Low-E4® Sun (3.0) HP Low-E4® SmartSun™ (3.0) HP Low-E4® PassiveSun™ (3.0)  HP Low-E4® Tempered HP Low-E4® Sun Tempered HP Low-E4® SmartSun™ Tempered HP Low-E4® PassiveSun™ Tempered  
<b>Size</b>	<b>Upper and Lower</b>	<b>Upper and Lower</b>
2832	CK616	CK816
28310	CK720	CK920
2842	CK722	CK1022
2846	CK824	CK1024
2852	CK928	CK1228
2856C	Upper: CK824/Lower: CK1130	Upper: CK1024/Lower: CK1430
2856E	CK1030	CK1230
2862	CK1134	CK1434
30210	CK614	CK814
3032	CK716	CK816
30310	CK820	CK1020
3042	CK822	CK1122
3046	CK924	CK1224
3048	CK925	CK1225
3052	CK1028	CK1328
3056C	Upper: CK924/Lower: CK1230	Upper: CK1224/Lower: CK1630
3056E	CK1130	CK1430
3062	CK1234	CK1634
34210	CK714	CK814
3432	CK716	CK916
34310	CK920	CK1120

# Conversion Kit Double-Hung Windows (1995 to Present)

Conversion Kits

## Sash Balancers



### Balancer Usage Chart

**Note for Chart 1:**

HP Low-E4®, HP Low-E4® Sun, HP-Low-E4® SmartSun™ and HP-Low-E4 PassiveSun™ manufactured prior to April 2012 will **not** have 2.2 etching, but will use Chart 1.

**Note for Chart 2:**

HP Low-E4® Tempered, HP Low-E4® Sun Tempered, HP Low-E4® SmartSun™ Tempered and HP Low-E4® PassiveSun™ will not have any 3.0 etching, but will use Chart 2.

	CHART 1	CHART 2
	<p>HP Low-E4® (2.2)                      HP Low-E4® Sun (2.2)                      HP Low-E4® SmartSun™ (2.2)                      HP Low-E4® PassiveSun™ (2.2)                      Clear Dual Pane</p> 	<p>HP Low-E4® (3.0)                      HP Low-E4® Sun (3.0)                      HP Low-E4® SmartSun™ (3.0)                      HP Low-E4® PassiveSun™ (3.0)</p> <p>HP Low-E4® Tempered                      HP Low-E4® Sun Tempered                      HP Low-E4® SmartSun™ Tempered                      HP Low-E4® PassiveSun™ Tempered</p> 
Size	Upper and Lower	Upper and Lower
3442	CK922	CK1222
3446	CK1024	CK1324
3452	CK1128	CK1626
3456C	Upper: CK1024/Lower: CK1430	Upper: CK1324/Lower: CKCK1834
3456E	CK1230	CK1630
3462	CK1334	CK1734
38210	CK714	CK914
3832	CK816	CK1016
38310	CK920	CK1220
3842	CK1022	CK1322
3846	CK1124	CK1424
3852	CK1228	CK1628
3856C	Upper: CK1124/Lower: CK1530	Upper: CK1424/Lower: CK2034
3856E	CK1330	CK1630
3862	CK1434	CK1934

## Sash Balancers

Balancer - Conversion Kit							
<b>Note:</b> See <a href="#">Service Guide 0005181</a> .							
Balancer No.	Order No.	Balancer No.	Order No.	Balancer No.	Order No.	Balancer No.	Order No.
CK513	9020876	CK1020	1626163	CK826	9020935	CK1730	9020903
CK613	9020877	CK1120	1626164	CK926	9020936	CK632	9020942
CK314	1625960	CK1220	9020882	CK1026	9020937	CK732	9020943
CK414	1625961	CK522	1625975	CK1126	9020938	CK832	9020944
CK514	1625962	CK622	1625976	CK1226	9020939	CK932	9020945
CK614	1625963	CK722	1625977	CK628	1625986	CK1032	9020946
CK714	1625964	CK822	1625978	CK728	1625987	CK1132	9020947
CK814	9020878	CK922	1626165	CK828	1625988	CK1232	9020948
CK914	9020879	CK1022	1626166	CK928	1626173	CK1332	9020949
CK416	1625966	CK1122	1626167	CK1028	1626174	CK1432	9020950
CK516	1625967	CK1222	9020883	CK1128	1626175	CK1532	9020951
CK616	1625968	CK1322	9020884	CK1228	1626176	CK1632	9020952
CK716	1625969	CK524	1625980	CK1328	1626177	CK1732	9020953
CK816	1626160	CK624	1625981	CK1428	9020887	CK734	1625992
CK916	9020880	CK724	1625982	CK1528	9020940	CK834	1625993
CK1016	9020881	CK824	1625983	CK1628	9020888	CK934	1626178
CK418	9020925	CK924	1626168	CK630	9020893	CK1034	1626179
CK518	9020926	CK1024	1626169	CK730	9020894	CK1134	1626180
CK618	9020927	CK1124	1626170	CK830	9020895	CK1234	1626181
CK718	9020928	CK1224	9020931	CK930	9020896	CK1334	1626182
CK818	9020929	CK1324	1626171	CK1030	9020897	CK1434	1626183
CK918	9020930	CK1424	1626172	CK1130	9020898	CK1534	1626184
CK420	1625970	CK925	9020885	CK1230	9020899	CK1634	1626185
CK520	1625971	CK1225	9020886	CK1330	9020900	CK1734	9020889
CK620	1625972	CK526	9020932	CK1430	9020901	CK1834	9020890
CK720	1625973	CK626	9020933	CK1530	9020902	CK1934	9020891
CK820	1626161	CK726	9020934	CK1630	9020941	CK2034	9020892
CK920	1626162						

Balancer Shoe - Conversion Kit		
	<b>Note:</b> Shoes on balancers manufactured after 6/01 cannot be replaced.	<b>Order No.</b>
		1636791
Spring Clip - Balancer		
	<b>Note:</b> Balancer clip replacement for conversion kit balancers uses standard 400 Series Tilt Wash balancer clip.	<b>Order No.</b>
		9045100

# Conversion Kit Double-Hung Windows (1995 to Present)

Conversion Kits

## Frames

### Jamb Liners - Conversion Kit

**Note:**

Conversion kit jamb liners are thinner than Tilt-Wash jamb liners and have different balancers and foam. The sash are standard Tilt-Wash sash.

Unit No.	Even Style				Cottage Style			
	White		Gray		White		Gray	
	Left	Right	Left	Right	Left	Right	Left	Right
210	1618190	1618201	9020844	9020852	N/A	N/A	N/A	N/A
32	1618191	1618202	9020845	9020853	N/A	N/A	N/A	N/A
310	1618192	1618203	9020846	9020854	9020860	9020864	9020868	9020872
42	1618193	1618204	9020847	9020855	9020861	9020865	9020869	9020873
46	1618194	1618205	9020848	9020856	9020862	9020866	9020870	9020874
52	1618195	1618206	9020849	9020857	9020863	9020867	9020871	9020875
56	1618196	1618207	9020850	9020858	1680926	9068897	9020779	9068892
62	1618197	1618208	9020851	9020859	N/A	N/A	N/A	N/A

### Retainers - Conversion Kit

**Note:**

Exterior stop not included.

#### Retainer - Conversion Kit

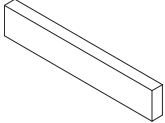
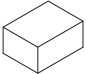
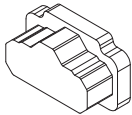


Unit No.	Natural Wood		White		Terratone®		Sandtone	
	Left	Right	Left	Right	Left	Right	Left	Right
210	1618250	1618270	1618260	1618280	9059613	9059621	9059629	9059637
32	1618251	1618271	1618261	1618281	9059614	9059622	9059630	9059638
310	1618252	1618272	1618262	1618282	9059615	9059623	9059631	9059639
42	1618253	1618273	1618263	1618283	9059616	9059624	9059632	9059640
46	1618254	1618274	1618264	1618284	9059617	9059625	9059633	9059641
52	1618255	1618275	1618265	1618285	9059618	9059626	9059634	9059642
56	1618256	1618276	1618266	1618286	9059619	9059627	9059635	9059643
62	1618257	1618277	1618267	1618287	9059620	9059628	9059636	9059644

### Exterior Stops

#### Exterior Stop

Unit No.	White		Terratone®		Sandtone	
	Left	Right	Left	Right	Left	Right
210	3870352	3870370	9020805	9020813	9020789	9020797
32	3870354	3870372	9020806	9020814	9020790	9020798
310	3870356	3870374	9020807	9020815	9020791	9020799
42	3870358	3870376	9020808	9020816	9020792	9020800
46	3870360	3870378	9020809	9020817	9020793	9020801
52	3870362	3870380	9020810	9020818	9020794	9020802
56	3870364	3870382	9020811	9020819	9020795	9020803
62	3870366	3870384	9020812	9020820	9020796	9020804

## Frames

<b>Plugs</b>			
<b>Note:</b> Used in jamb liners and jamb liner retainers.			
<b>Plug - Conversion Kit / Lower Retainer</b>			
		Dimensions	Order No.
		$3 \frac{1}{2} \times \frac{5}{8} \times \frac{3}{8}$	1636790
<b>Plug - Conversion Kit / Chimney / Side Jamb Liner</b>			
		Dimensions	Order No.
		$\frac{3}{4} \times \frac{1}{2} \times \frac{3}{8}$	1636792
<b>Plug - Balance Cavity</b>			
		Order No.	
		1636793	
<b>Wash Assist</b>			
		Gray	
		1643027	
<b>Stop - Wash Assist</b>			
		Color	Order No.
		Gray	1643028

<b>Conversion Kit Parts</b>			
<b>Note:</b> See the <a href="#">400 Series Tilt-Wash</a> (DC & TW) section for pile weatherstrip, and jamb liner support cover.			



# Conversion Kit Double-Hung Windows (1995 to Present)

Conversion Kits

## Frames

### Installation Materials

#### Installation Kit

**Note:**

Kit includes screen label, shim kit and instruction label.

		Color	Order No.
		White	9046471
		Stone	9046472

## Frames

---