

What's in This Section

| | |
|---|---------------|
| Standard and Picture Windows | Page 5 |
| Parts Illustration | 5 |
| Parts Illustration - Standard Window | 5 |
| Parts Illustration - Picture Window | 6 |
| Unit Sizes | 7 |
| Unit Size Chart - Standard Windows | 7 |
| Unit Size Chart - Picture Windows (Direct Set Glass) | 8 |
| Unit Size Chart - Picture Windows (CP Sash) | 9 |
| Product History | 10 |
| Milestones | 10 |
| Sash | 11 |
| Sash Size Table - Standard Windows | 11 |
| Sash Size Table - Picture Windows | 13 |
| Sash - Standard Windows / High Performance | 15 |
| Sash - Standard Windows / Dual Pane | 17 |
| Sash - Picture Windows / High Performance | 18 |
| Sash - Picture Windows / Dual Pane | 18 |
| Sash Parts | 19 |
| Weatherstrip | 20 |
| Glazing Beads - Vinyl | 21 |
| Glass | 22 |
| Glass Size Table - Picture Windows | 22 |
| Glass - Picture Windows / High Performance | 23 |
| Glass - Picture Windows / Dual Pane | 25 |
| Insect Screens | 27 |
| Insect Screens - TruScene® Screens | 27 |
| Insect Screens - Standard Screens | 27 |
| Insect Screen Parts | 28 |
| Grilles | 29 |
| Interior Grilles - Standard Windows / Colonial | 29 |
| Interior Grilles - Picture Windows / Colonial | 33 |
| Interior Grilles - Standard Window / Colonial / 3/4" Polycarbonate & Tycote | 37 |
| Interior Grille Parts | 37 |
| Hardware | 38 |
| Split Arm Operator | 38 |
| Straight Arm Operator | 40 |
| Operator Covers | 41 |

| | |
|---|----------------|
| Hinges | 42 |
| Hinge Hardware | 44 |
| Hardware Packs - Folding | 45 |
| Handles | 46 |
| Handle Parts | 46 |
| Locks and Lock Components | 47 |
| Frames | 49 |
| Frames - Standard Windows | 49 |
| Head and Sill Stops | 50 |
| Frames - Picture Windows | 51 |
| Stops - Picture Windows | 52 |
| Extension Jambs | 53 |
| Auxiliary Extension Jambs | 54 |
| Joining Components | 55 |
| Narrow Mullion | 55 |
| Factory Mullion | 57 |
| Support Mullion | 58 |
| Reinforced Mull Joining Components - Steel | 60 |
| Reinforced Mull Joining Components - Aluminum | 63 |
| Art Glass Components | 65 |
| Art Glass Trim Stops | 65 |
| Art Glass Hardware | 68 |
| Angle Bay Windows | Page 69 |
| Unit Sizes | 69 |
| Angle Bay Parts | 71 |
| Joining Components - Angle Bay | 71 |
| Interior Casing - Angle Bay | 73 |
| Head and Seat Boards - Angle Bay | 73 |
| Head and Seat Board Interior Trim - Angle Bay | 73 |
| Platform - Angle Bay | 74 |
| Extension Jambs - Angle Bay | 74 |
| Cable Support System - Angle Bay | 75 |
| Box Bay Windows | Page 77 |
| Unit Sizes | 77 |
| Box Bay Parts | 78 |
| Joining Components - Box Bay | 79 |
| Extension Jambs - Box Bay | 80 |
| Head and Seat Boards - Box Bay | 80 |
| Platform - Box Bay | 80 |
| Cable Support System - Box Bay | 81 |

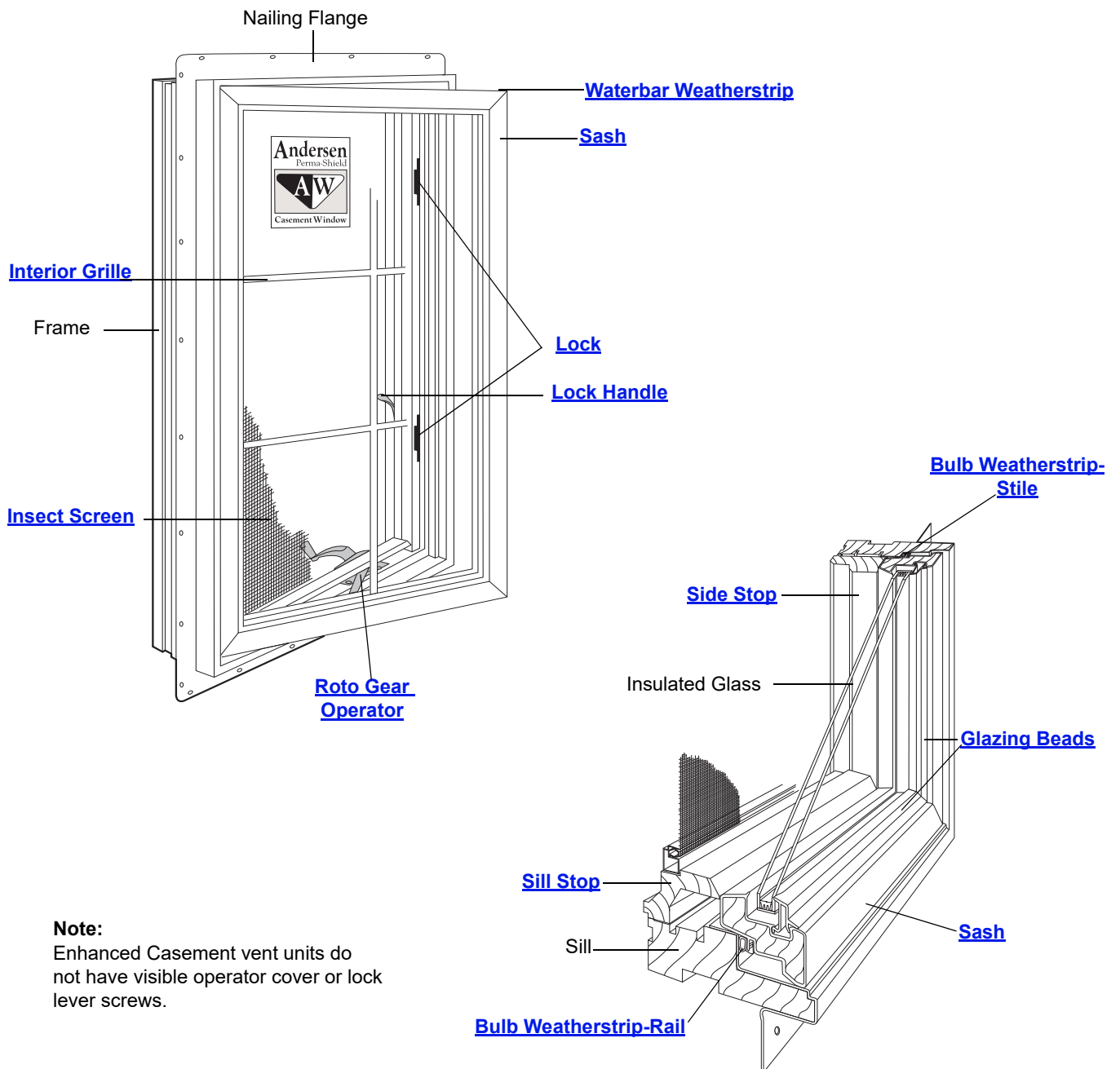
| | |
|---|----------------|
| Bow Windows | Page 83 |
| Unit Sizes | 83 |
| Bow Window Parts | 84 |
| Joining Components - Bow | 84 |
| Extension Jambs - Bow | 86 |
| Head and Seat Boards - Bow | 87 |
| Platform - Bow | 87 |
| Bow Parts | 87 |
| Cable Support System - Bow | 88 |
| | |
| Service Replacement | Page 89 |
| Service Replacement Only Parts | 89 |
| Service Replacement Only Parts | 89 |
| Hinge Shims | 89 |
| Frames | 89 |
| Cartons | 90 |

Perma-Shield® Enhanced Casement Windows (1995 to 1998)

Standard and Picture Windows

Parts Illustration

Parts Illustration - Standard Window



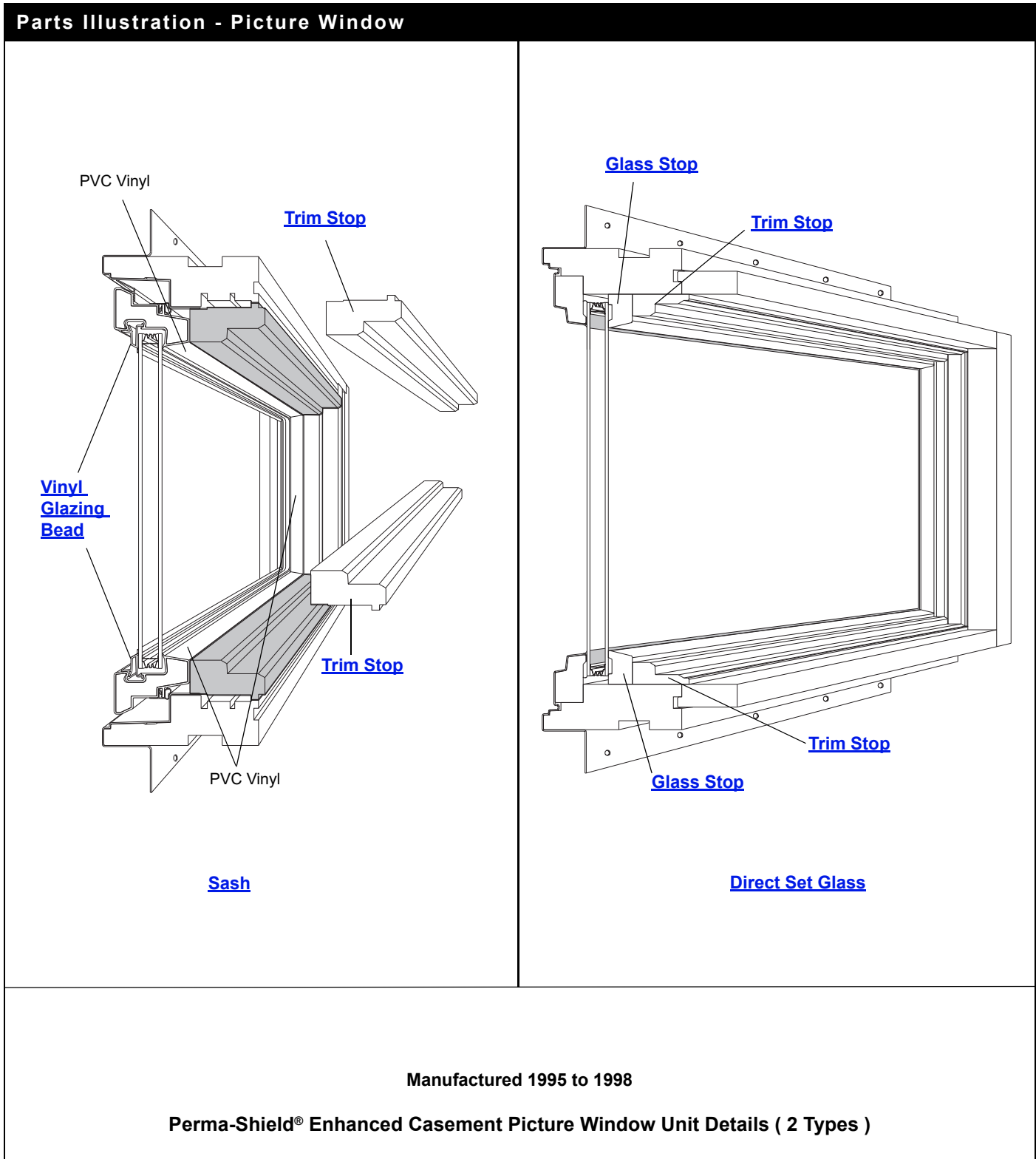
Note:
Enhanced Casement vent units do not have visible operator cover or lock lever screws.

Manufactured 1995 to 1998

Perma-Shield® Enhanced Casement Window Unit Parts

Unit viewed from exterior.

Parts Illustration



Unit viewed from interior.

Perma-Shield® Enhanced Casement Windows (1995 to 1998)

Standard and Picture Windows

Unit Sizes

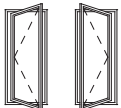
Unit Size Chart - Standard Windows

| Unit Dimension | 1'-5" (432) | 1'-8 1/2" (521) | 2'-0 1/8" (613) | 2'-4 3/8" (721) | 2'-11 15/16" (913) | 2'-9 3/4" (857) | 3'-4 3/4" (1035) | 4'-0" (1219) | 4'-8 1/2" (1435) | 5'-11 7/8" (1826) |
|---------------------|-----------------|-----------------|-----------------|-----------------|--------------------|------------------|------------------|------------------|------------------|-------------------|
| Rough Opening | 1'-5 1/2" (445) | 1'-9" (533) | 2'-0 5/8" (625) | 2'-4 7/8" (733) | 3'-0 1/2" (927) | 2'-10 1/4" (870) | 3'-5 1/4" (1048) | 4'-0 1/2" (1232) | 4'-9" (1448) | 6'-0 3/8" (1838) |
| Unobstructed Glass* | 12 5/8" (321) | 16 1/8" (410) | 19 3/4" (502) | 24" (610) | 31 9/16" (802) | 12 5/8" (321) | 16 1/8" (410) | 19 3/4" (502) | 24" (610) | 19 3/4" (502) |
| 2'-0 1/8" (613) | | | | | | | | | | |
| 2'-4 3/8" (721) | | | | | | | | | | |
| 2'-11 15/16" (913) | | | | | | | | | | |
| 3'-4 13/16" (1037) | | | | | | | | | | |
| 4'-0" (1219) | | | | | | | | | | |
| 4'-4 13/16" (1341) | | | | | | | | | | |
| 4'-11 7/8" (1521) | | | | | | | | | | |
| 5'-4 13/16" (1646) | | | | | | | | | | |
| 5'-11 7/8" (1826) | | | | | | | | | | |

Perma-Shield® Enhanced Casement Standard Window Unit Sizes

Unit viewed from exterior.

VENT LAYOUT



Left Hinged Right Hinged

Note:

Single sash indicates hinging left, right or stationary. Handing is viewed from exterior. Unit Dimension refers to overall outside-to-outside frame. Unobstructed Glass refers to visible glass dimensions. Numbers in parentheses are metric measurements.

Unit Sizes

Unit Size Chart - Picture Windows (Direct Set Glass)

Note:

Unit Dimension refers to overall outside-to-outside frame. Unobstructed Glass refers to visible glass dimensions. Numbers in parentheses are metric measurements. The gray shaded windows can be sash or direct set glass. To determine if window is a sash or direct set glass, examine interior glass edges as shown on [page 6](#). The [sash](#) picture window has vinyl against the glass. The direct set [glass](#) picture window has wood against the glass.

| | Unit Dimension | 2'-11 ⁵ / ₁₆ " (913) | 3'-4 ¹³ / ₁₆ " (1037) | 4'-0" (1219) | 4'-4 ¹³ / ₁₆ " (1341) | 4'-11 ⁷ / ₈ " (1521) | 5'-4 ¹³ / ₁₆ " (1646) | 5'-11 ⁷ / ₈ " (1826) | |
|--|--|---|--|--|--|---|--|---|--|
| | Rough Opening | 3'-0 ¹ / ₂ " (927) | 3'-5 ³ / ₈ " (1051) | 4'-0 ¹ / ₂ " (1232) | 4'-5 ³ / ₈ " (1356) | 5'-0 ³ / ₈ " (1534) | 5'-5 ³ / ₈ " (1660) | 6'-0 ³ / ₈ " (1838) | |
| | Unobstructed Glass | 31 ¹ / ₈ " (791) | 36" (914) | 43 ³ / ₁₆ " (1097) | 48" (1219) | 55 ¹ / ₁₆ " (1410) | 60" (1524) | 67 ¹ / ₂ " (1715) | |
| 2'-11 ⁵ / ₁₆ " (913) | 3'-0 ¹ / ₂ " (927) | 31 ¹ / ₈ " (791) | | | | | | | |
| 3'-4 ¹³ / ₁₆ " (1037) | 3'-5 ³ / ₈ " (1051) | 36" (914) | | | | | | | |
| 4'-0" (1219) | 4'-0 ¹ / ₂ " (1232) | 43 ³ / ₁₆ " (1097) | | | | | | | |
| 4'-4 ¹³ / ₁₆ " (1341) | 4'-5 ³ / ₈ " (1356) | 48" (1219) | | | | | | | |
| 4'-11 ⁷ / ₈ " (1521) | 5'-0 ³ / ₈ " (1534) | 55 ¹ / ₁₆ " (1399) | | | | | | | |
| 5'-4 ¹³ / ₁₆ " (1646) | 5'-5 ³ / ₈ " (1660) | 60" (1524) | | | | | | | |
| 5'-11 ⁷ / ₈ " (1826) | 6'-0 ³ / ₈ " (1838) | 67 ¹ / ₈ " (1703) | | | | | | | |

Columns shaded gray available as CP units. See [CP size grid](#) for sizes.

Perma-Shield® Enhanced Casement Picture Window Unit Sizes

Unit viewed from exterior.

Perma-Shield® Enhanced Casement Windows (1995 to 1998)

Standard and Picture Windows

Unit Sizes

Unit Size Chart - Picture Windows (CP Sash)

Note:

Unit Dimension refers to overall outside-to-outside frame. Unobstructed Glass refers to visible glass dimensions. Numbers in parentheses are metric measurements. To determine if window is a sash or direct set glass, examine interior glass edges as shown on [page 6](#). The [sash](#) picture window has vinyl against the glass. The direct set [glass](#) picture window has wood against the glass.

| | Unit Dimension | 3'-4 3/4" | 4'-0" | 4'-11 7/8" | 5'-11 7/8" |
|--------------|---------------------------|----------------|--------------|----------------|---------------|
| | Rough Opening | 3'-5 1/4" | 4'-0 1/2" | 5'-0 3/8" | 6'-0 3/8" |
| | Unobstructed Glass | 3'-0 1/2" | 43 5/8" | 55 1/2" | 67 1/2" |
| | | (1035) | (1219) | (1521) | (1826) |
| | | (1048) | (1232) | (1534) | (1838) |
| | | (924) | (1108) | (1410) | (1715) |
| 2'-11 15/16" | (813) | 3'-0 1/2" | 3'-5 3/8" | 4'-0 1/2" | 4'-5 3/8" |
| | | (927) | (1051) | (1232) | (1356) |
| | | 31 1/8" | 36" | 43 3/16" | 48" |
| | | (791) | (914) | (1097) | (1219) |
| | | CP353 | CP23 | CP503* | CP33 |
| 3'-4 13/16" | (1037) | 3'-5 3/8" | 4'-0 1/2" | 4'-5 3/8" | 5'-0 3/8" |
| | | (1051) | (1232) | (1356) | (1521) |
| | | 36" | 43 3/16" | 48" | 55 1/2" |
| | | (914) | (1097) | (1219) | (1399) |
| | | CP3535 | CP235 | CP5035* | CP335 |
| 4'-0" | (1219) | 4'-0 1/2" | 4'-5 3/8" | 5'-0 3/8" | 5'-5 3/8" |
| | | (1232) | (1356) | (1521) | (1680) |
| | | 43 3/16" | 48" | 55 1/2" | 60" |
| | | (1097) | (1219) | (1399) | (1524) |
| | | CP354* | CP24 | CP504* | CP34 |
| 4'-4 13/16" | (1341) | 4'-5 3/8" | 5'-0 3/8" | 5'-5 3/8" | 6'-0 3/8" |
| | | (1356) | (1521) | (1680) | (1845) |
| | | 48" | 55 1/2" | 60" | 67 1/2" |
| | | (1219) | (1399) | (1524) | (1703) |
| | | CP3545* | CP245 | CP5045* | CP345* |
| 4'-11 7/8" | (1521) | 5'-0 3/8" | 5'-5 3/8" | 6'-0 3/8" | 6'-5 3/8" |
| | | (1534) | (1680) | (1845) | (2000) |
| | | 55 1/2" | 60" | 67 1/2" | 72" |
| | | (1399) | (1524) | (1703) | (1878) |
| | | CP355* | CP25 | CP505 | CP35 |
| 5'-4 13/16" | (1646) | 5'-5 3/8" | 6'-0 3/8" | 6'-5 3/8" | 7'-0 3/8" |
| | | (1660) | (1845) | (2000) | (2165) |
| | | 60" | 67 1/2" | 72" | 79 1/2" |
| | | (1524) | (1703) | (1878) | (2057) |
| | | CP3555* | CP255 | CP5055* | |
| 5'-11 7/8" | (1826) | 6'-0 3/8" | 6'-5 3/8" | 7'-0 3/8" | 7'-5 3/8" |
| | | (1838) | (2000) | (2165) | (2330) |
| | | 67 1/2" | 72" | 79 1/2" | 84" |
| | | (1703) | (1878) | (2057) | (2232) |
| | | CP356* | CP26 | CP506* | |

Perma-Shield® Enhanced Casement Picture Window Unit Sizes

Product History

Milestones

| | |
|-------------|-------------------------------------|
| 1995 | Sashless picture window introduced. |
|-------------|-------------------------------------|

Perma-Shield® Enhanced Casement Windows (1995 to 1998)

Standard and Picture Windows

Sash

Sash Size Table - Standard Windows

Note:

Overall Sash is measured outside edge to outside edge of frame.

Unobstructed Glass is dimension from outside edge to outside edge of visible glass only.

Actual Glass is dimension of outside edge to outside edge of glass, including glass that is not visible.

| Sash Size Table - Standard Window | | | |
|-----------------------------------|---|---|---|
| Unit No. | Overall Sash (w x h) | Unobstructed Glass (w x h) | Actual Glass (w x h) |
| CR2 | 15 ²⁷ / ₃₂ × 22 ⁹ / ₁₆ | 12 ⁵ / ₈ × 19 ⁵ / ₁₆ | 13 ¹⁵ / ₃₂ × 20 ³ / ₁₆ |
| CR25 | 15 ²⁷ / ₃₂ × 26 ¹³ / ₁₆ | 12 ⁵ / ₈ × 23 ⁹ / ₁₆ | 13 ¹⁵ / ₃₂ × 24 ⁷ / ₁₆ |
| CR3 | 15 ²⁷ / ₃₂ × 34 ³ / ₈ | 12 ⁵ / ₈ × 31 ¹ / ₈ | 13 ¹⁵ / ₃₂ × 32 |
| CR35 | 15 ²⁷ / ₃₂ × 39 ¹ / ₄ | 12 ⁵ / ₈ × 36 | 13 ¹⁵ / ₃₂ × 36 ⁷ / ₈ |
| CR4 | 15 ²⁷ / ₃₂ × 46 ⁷ / ₁₆ | 12 ⁵ / ₈ × 43 ³ / ₁₆ | 13 ¹⁵ / ₃₂ × 44 ¹ / ₁₆ |
| CR45 | 15 ²⁷ / ₃₂ × 51 ¹ / ₄ | 12 ⁵ / ₈ × 48 | 13 ¹⁵ / ₃₂ × 48 ⁷ / ₈ |
| CR5 | 15 ²⁷ / ₃₂ × 58 ⁵ / ₁₆ | 12 ⁵ / ₈ × 55 ¹ / ₁₆ | 13 ¹⁵ / ₃₂ × 55 ¹⁵ / ₁₆ |
| CR55 | 15 ²⁷ / ₃₂ × 63 ¹ / ₄ | 12 ⁵ / ₈ × 60 | 13 ¹⁵ / ₃₂ × 60 ⁷ / ₈ |
| CR6 | 15 ²⁷ / ₃₂ × 70 ⁵ / ₁₆ | 12 ⁵ / ₈ × 67 ¹ / ₁₆ | 13 ¹⁵ / ₃₂ × 67 ¹⁵ / ₁₆ |
| CN2 | 19 ¹¹ / ₃₂ × 22 ⁹ / ₁₆ | 16 ¹ / ₈ × 19 ¹⁵ / ₁₆ | 16 ³¹ / ₃₂ × 20 ³ / ₁₆ |
| CN25 | 19 ¹¹ / ₃₂ × 26 ¹³ / ₁₆ | 16 ¹ / ₈ × 23 ⁹ / ₁₆ | 16 ³¹ / ₃₂ × 24 ⁷ / ₁₆ |
| CN3 | 19 ¹¹ / ₃₂ × 34 ³ / ₈ | 16 ¹ / ₈ × 31 ¹ / ₈ | 16 ³¹ / ₃₂ × 32 |
| CN35 | 19 ¹¹ / ₃₂ × 39 ¹ / ₄ | 16 ¹ / ₈ × 36 | 16 ³¹ / ₃₂ × 36 ⁷ / ₈ |
| CN4 | 19 ¹¹ / ₃₂ × 46 ⁷ / ₁₆ | 16 ¹ / ₈ × 43 ³ / ₁₆ | 16 ³¹ / ₃₂ × 44 ¹ / ₁₆ |
| CN45 | 19 ¹¹ / ₃₂ × 51 ¹ / ₄ | 16 ¹ / ₈ × 48 | 16 ³¹ / ₃₂ × 48 ⁷ / ₈ |
| CN5 | 19 ¹¹ / ₃₂ × 58 ⁵ / ₁₆ | 16 ¹ / ₈ × 55 ¹ / ₁₆ | 16 ³¹ / ₃₂ × 55 ¹⁵ / ₁₆ |
| CN55 | 19 ¹¹ / ₃₂ × 63 ¹ / ₄ | 16 ¹ / ₈ × 60 | 16 ³¹ / ₃₂ × 60 ⁷ / ₈ |
| CN6 | 19 ¹¹ / ₃₂ × 70 ⁵ / ₁₆ | 16 ¹ / ₈ × 67 ¹ / ₁₆ | 16 ³¹ / ₃₂ × 67 ¹⁵ / ₁₆ |
| C2 | 22 ³¹ / ₃₂ × 22 ⁹ / ₁₆ | 19 ³ / ₄ × 19 ⁵ / ₁₆ | 20 ¹⁹ / ₃₂ × 20 ³ / ₁₆ |
| C25 | 22 ³¹ / ₃₂ × 26 ¹³ / ₁₆ | 19 ³ / ₄ × 23 ⁹ / ₁₆ | 20 ¹⁹ / ₃₂ × 24 ⁷ / ₁₆ |
| C3 | 22 ³¹ / ₃₂ × 34 ³ / ₈ | 19 ³ / ₄ × 31 ¹ / ₈ | 20 ¹⁹ / ₃₂ × 32 |
| C35 | 22 ³¹ / ₃₂ × 39 ¹ / ₄ | 19 ³ / ₄ × 36 | 20 ¹⁹ / ₃₂ × 36 ⁷ / ₈ |
| C4 | 22 ³¹ / ₃₂ × 46 ⁷ / ₁₆ | 19 ³ / ₄ × 43 ³ / ₁₆ | 20 ¹⁹ / ₃₂ × 44 ¹ / ₁₆ |
| C45 | 22 ³¹ / ₃₂ × 51 ¹ / ₄ | 19 ³ / ₄ × 48 | 20 ¹⁹ / ₃₂ × 48 ⁷ / ₈ |
| C5 | 22 ³¹ / ₃₂ × 58 ⁵ / ₁₆ | 19 ³ / ₄ × 55 ¹ / ₁₆ | 20 ¹⁹ / ₃₂ × 55 ¹⁵ / ₁₆ |
| C55 | 22 ³¹ / ₃₂ × 63 ¹ / ₄ | 19 ³ / ₄ × 60 | 20 ¹⁹ / ₃₂ × 60 ⁷ / ₈ |
| C6 | 22 ³¹ / ₃₂ × 70 ⁵ / ₁₆ | 19 ³ / ₄ × 67 ¹ / ₁₆ | 20 ¹⁹ / ₃₂ × 67 ¹⁵ / ₁₆ |
| CW2 | 27 ⁷ / ₃₂ × 22 ⁹ / ₁₆ | 24 × 19 ⁵ / ₁₆ | 24 ²⁷ / ₃₂ × 20 ³ / ₁₆ |
| CW25 | 27 ⁷ / ₃₂ × 26 ¹³ / ₁₆ | 24 × 23 ⁹ / ₁₆ | 24 ²⁷ / ₃₂ × 24 ⁷ / ₁₆ |
| CW3 | 27 ⁷ / ₃₂ × 34 ³ / ₈ | 24 × 31 ¹ / ₈ | 24 ²⁷ / ₃₂ × 32 |

Sash

| Sash Size Table - Standard Window | | | |
|--|---|--|--|
| Unit No. | Overall Sash (w x h) | Unobstructed Glass (w x h) | Actual Glass (w x h) |
| CW35 | $27 \frac{7}{32} \times 39 \frac{1}{4}$ | 24×36 | $24 \frac{27}{32} \times 36 \frac{7}{8}$ |
| CW4 | $27 \frac{7}{32} \times 46 \frac{7}{16}$ | $24 \times 43 \frac{3}{16}$ | $24 \frac{27}{32} \times 44 \frac{1}{16}$ |
| CW45 | $27 \frac{7}{32} \times 51 \frac{1}{4}$ | 24×48 | $24 \frac{27}{32} \times 48 \frac{7}{8}$ |
| CW5 | $27 \frac{7}{32} \times 58 \frac{5}{16}$ | $24 \times 55 \frac{1}{16}$ | $24 \frac{27}{32} \times 55 \frac{15}{16}$ |
| CW55 | $27 \frac{7}{32} \times 63 \frac{1}{4}$ | 24×60 | $24 \frac{27}{32} \times 60 \frac{7}{8}$ |
| CW6 | $27 \frac{7}{32} \times 70 \frac{5}{16}$ | $24 \times 67 \frac{1}{16}$ | $24 \frac{27}{32} \times 67 \frac{15}{16}$ |
| CXW3 | $34 \frac{25}{32} \times 34 \frac{3}{8}$ | $31 \frac{9}{16} \times 31 \frac{1}{8}$ | $32 \frac{13}{32} \times 32$ |
| CXW35 | $34 \frac{25}{32} \times 39 \frac{1}{4}$ | $31 \frac{9}{16} \times 36$ | $32 \frac{13}{32} \times 36 \frac{7}{8}$ |
| CXW4 | $34 \frac{25}{32} \times 46 \frac{7}{16}$ | $31 \frac{9}{16} \times 43 \frac{3}{16}$ | $32 \frac{13}{32} \times 44 \frac{1}{16}$ |
| CXW45 | $34 \frac{25}{32} \times 51 \frac{1}{4}$ | $31 \frac{9}{16} \times 48$ | $32 \frac{13}{32} \times 48 \frac{7}{8}$ |
| CXW5 | $34 \frac{25}{32} \times 58 \frac{5}{16}$ | $31 \frac{9}{16} \times 55 \frac{1}{16}$ | $32 \frac{13}{32} \times 55 \frac{15}{16}$ |
| CXW55 | $34 \frac{25}{32} \times 63 \frac{1}{4}$ | $31 \frac{9}{16} \times 60$ | $32 \frac{13}{32} \times 60 \frac{7}{8}$ |
| CXW6 | $34 \frac{25}{32} \times 70 \frac{5}{16}$ | $31 \frac{9}{16} \times 67 \frac{1}{16}$ | $32 \frac{13}{32} \times 67 \frac{15}{16}$ |

Perma-Shield® Enhanced Casement Windows (1995 to 1998)

Standard and Picture Windows

Sash

Sash Size Table - Picture Windows

Sash Size Table - Picture Window

Note:

Overall Sash is measured outside edge to outside edge of frame.

Unobstructed Glass is dimension from outside edge to outside edge of visible glass only.

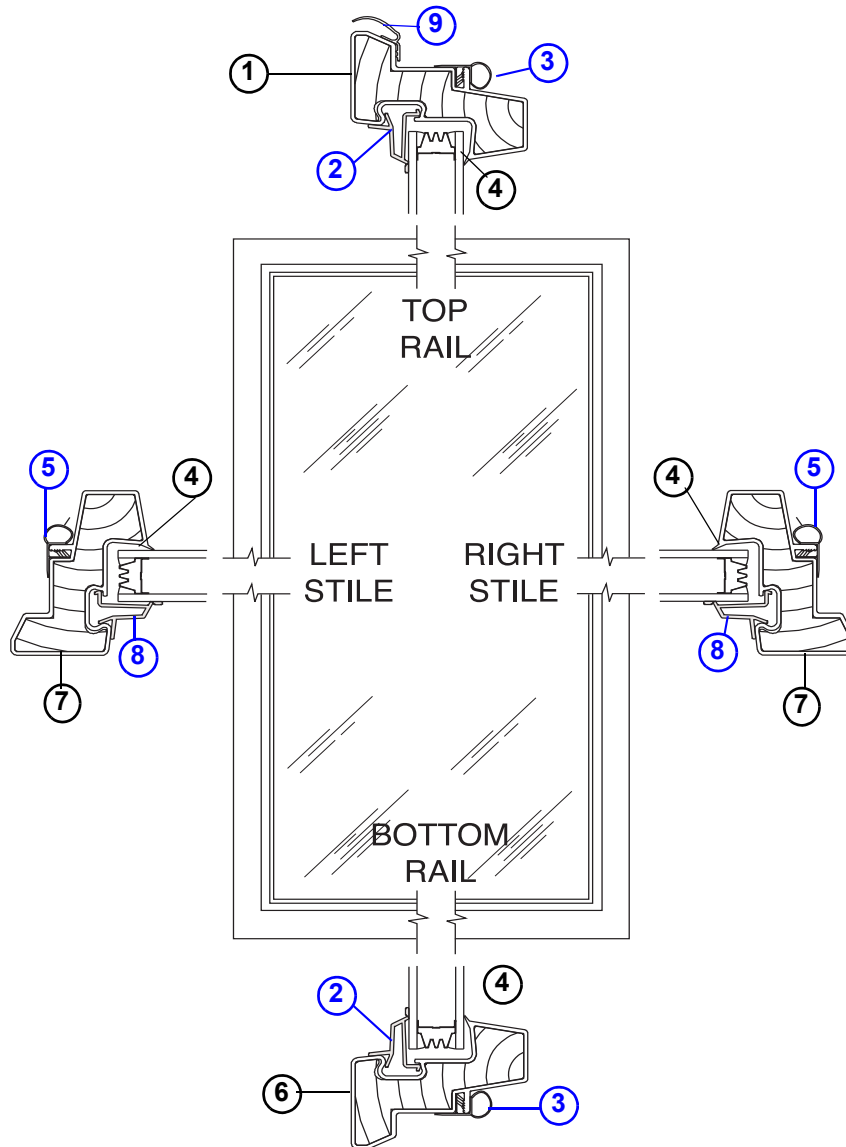
Actual Glass is dimension of outside edge to outside edge of glass, including glass that is not visible.

* CP26 and CP34 are close in size. The coped-end stop on CP34 is 69 3/16 long.

| Unit No. | Overall Sash (w x h) | Unobstructed Glass (w x h) | Actual Glass (w x h) |
|----------|--|--|---|
| CP353 | 39 ¹⁹ / ₃₂ × 34 ³ / ₈ | 36 ³ / ₈ × 31 ¹ / ₈ | 37 ⁹ / ₃₂ × 32 |
| CP3535 | 39 ¹⁹ / ₃₂ × 39 ¹ / ₄ | 36 ³ / ₈ × 36 | 37 ⁹ / ₃₂ × 36 ⁷ / ₈ |
| CP354 | 39 ¹⁹ / ₃₂ × 46 ⁷ / ₁₆ | 36 ³ / ₈ × 43 ³ / ₁₆ | 37 ⁹ / ₃₂ × 44 ¹ / ₁₆ |
| CP3545 | 39 ¹⁹ / ₃₂ × 51 ¹ / ₄ | 36 ³ / ₈ × 48 | 37 ⁹ / ₃₂ × 48 ⁷ / ₈ |
| CP355 | 39 ¹⁹ / ₃₂ × 58 ⁵ / ₁₆ | 36 ³ / ₈ × 55 ¹ / ₁₆ | 37 ⁹ / ₃₂ × 55 ¹⁵ / ₁₆ |
| CP3555 | 39 ¹⁹ / ₃₂ × 63 ¹ / ₄ | 36 ³ / ₈ × 60 | 37 ⁹ / ₃₂ × 60 ⁷ / ₈ |
| CP356 | 39 ¹⁹ / ₃₂ × 70 ⁵ / ₁₆ | 36 ³ / ₈ × 67 ¹ / ₁₆ | 37 ⁹ / ₃₂ × 67 ¹⁵ / ₁₆ |
| CP23 | 46 ²⁷ / ₃₂ × 34 ³ / ₈ | 43 ⁵ / ₈ × 31 ¹ / ₈ | 44 ¹⁵ / ₃₂ × 32 |
| CP235 | 46 ²⁷ / ₃₂ × 39 ¹ / ₄ | 43 ⁵ / ₈ × 36 | 44 ¹⁵ / ₃₂ × 36 ⁷ / ₈ |
| CP24 | 46 ²⁷ / ₃₂ × 46 ⁷ / ₁₆ | 43 ⁵ / ₈ × 43 ³ / ₁₆ | 44 ¹⁵ / ₃₂ × 44 ¹ / ₁₆ |
| CP245 | 46 ²⁷ / ₃₂ × 51 ¹ / ₄ | 43 ⁵ / ₈ × 48 | 44 ¹⁵ / ₃₂ × 48 ⁷ / ₈ |
| CP25 | 46 ²⁷ / ₃₂ × 58 ⁵ / ₁₆ | 43 ⁵ / ₈ × 55 ¹ / ₁₆ | 44 ¹⁵ / ₃₂ × 55 ¹⁵ / ₁₆ |
| CP255 | 46 ²⁷ / ₃₂ × 63 ¹ / ₄ | 43 ⁵ / ₈ × 60 | 44 ¹⁵ / ₃₂ × 60 ⁷ / ₈ |
| CP26* | 46 ²⁷ / ₃₂ × 70 ⁵ / ₁₆ | 43 ⁵ / ₈ × 67 ¹ / ₁₆ | 44 ¹⁵ / ₃₂ × 67 ¹⁵ / ₁₆ |
| CP503 | 58 ²³ / ₃₂ × 34 ³ / ₈ | 55 ¹ / ₂ × 31 ¹ / ₈ | 56 ¹¹ / ₃₂ × 32 |
| CP5035 | 58 ²³ / ₃₂ × 39 ¹ / ₄ | 55 ¹ / ₂ × 36 | 56 ¹¹ / ₃₂ × 36 ⁷ / ₈ |
| CP504 | 58 ²³ / ₃₂ × 46 ⁷ / ₁₆ | 55 ¹ / ₂ × 43 ³ / ₁₆ | 56 ¹¹ / ₃₂ × 44 ¹ / ₁₆ |
| CP5045 | 58 ²³ / ₃₂ × 51 ¹ / ₄ | 55 ¹ / ₂ × 48 | 56 ¹¹ / ₃₂ × 48 ⁷ / ₈ |
| CP505 | 58 ²³ / ₃₂ × 58 ⁵ / ₁₆ | 55 ¹ / ₂ × 55 ¹ / ₁₆ | 56 ¹¹ / ₃₂ × 55 ¹⁵ / ₁₆ |
| CP5055 | 58 ²³ / ₃₂ × 63 ¹ / ₄ | 55 ¹ / ₂ × 60 | 56 ¹¹ / ₃₂ × 60 ⁷ / ₈ |
| CP506 | 58 ²³ / ₃₂ × 70 ⁵ / ₁₆ | 55 ¹ / ₂ × 67 ¹ / ₁₆ | 56 ¹¹ / ₃₂ × 67 ¹⁵ / ₁₆ |
| CP33 | 70 ²³ / ₃₂ × 34 ³ / ₈ | 67 ¹ / ₂ × 31 ¹ / ₈ | 68 ¹¹ / ₃₂ × 32 |
| CP335 | 70 ²³ / ₃₂ × 39 ¹ / ₄ | 67 ¹ / ₂ × 36 | 68 ¹¹ / ₃₂ × 36 ⁷ / ₈ |
| CP34 | 70 ²³ / ₃₂ × 46 ⁷ / ₁₆ | 67 ¹ / ₂ × 43 ³ / ₁₆ | 68 ¹¹ / ₃₂ × 44 ¹ / ₁₆ |
| CP345 | 70 ²³ / ₃₂ × 51 ¹ / ₄ | 67 ¹ / ₂ × 48 | 68 ¹¹ / ₃₂ × 48 ⁷ / ₈ |

Sash

Sash



- 1. Top Rail
- 2. [Glazing Beads-Rail](#)
- 3. [Weatherstrip-Rail](#)
- 4. Silicone Glazing
- 5. [Weatherstrips-Stile](#)
- 6. Bottom Rail
- 7. Stile
- 8. [Glazing Beads-Stile](#)
- 9. [Water Bar Weatherstrip](#)

Perma-Shield® Enhanced Casement Sash

Unit viewed from exterior.

Perma-Shield® Enhanced Casement Windows (1995 to 1998)

Standard and Picture Windows

Sash

Sash - Standard Windows / High Performance

Note:

Replacement sash is dimpled for hardware and has notches to accommodate colonial pattern polycarbonate/vinyl removable grilles.

See [Service Guide 0003911](#) for venting sash replacement. See [Venting Sash Replacement Video](#).

See [Service Guide 0005111](#) for stationary sash replacement. See [Stationary Sash Replacement Video](#).

Sash - Standard Window / High-Performance-Low-E4® / Notched

Note:

Sash are universal (L, R, or stationary). Sash clips for stationary units must be ordered separately [page 19](#).

| Unit No. | White | Terratone® | Sandtone | Unit No. | White | Terratone® | Sandtone |
|----------|---------|----------------|----------------|----------|---------|------------|----------|
| CR2 | 1337802 | 1440502 | 0608602 | C4 | 1337830 | 1440530 | 0608640 |
| CR25 | 1346221 | By description | 0609255 | C45 | 1337833 | 1440533 | 0608642 |
| CR3 | 1337810 | 1440510 | 0608604 | C5 | 1337838 | 1440538 | 0608644 |
| CR35 | 1337818 | 1440518 | 0608606 | C55 | 1337841 | 1440541 | 0608646 |
| CR4 | 1337826 | 1440526 | 0608608 | C6 | 1337846 | 1440546 | 0608648 |
| CR45 | 1337831 | 1440543 | 0608609 | CW2 | 1337808 | 1440508 | 0608650 |
| CR5 | 1337834 | 1440534 | 0608612 | CW25 | 1346224 | 1442741 | 0609258 |
| CR55 | 1337835 | 1440545 | 0608615 | CW3 | 1337816 | 1440516 | 0608652 |
| CR6 | 1337842 | 1440542 | 0608616 | CW35 | 1337824 | 1440524 | 0608654 |
| CN2 | 1337804 | 1440504 | 0608618 | CW4 | 1337832 | 1440532 | 0608656 |
| CN25 | 1346222 | By description | By description | CW45 | 1337852 | 1440535 | 0608658 |
| CN3 | 1337812 | 1440512 | 0608620 | CW5 | 1337840 | 1440540 | 0608660 |
| CN35 | 1337820 | 1440520 | 0608622 | CW55 | 1337856 | 1440539 | 0608662 |
| CN4 | 1337828 | 1440528 | 0608624 | CW6 | 1337848 | 1440548 | 0608664 |
| CN45 | 1337851 | 1440531 | 0608626 | CXW3 | 1346257 | 1442760 | 0609292 |
| CN5 | 1337836 | 1440536 | 0608628 | CXW35 | 1346258 | 1442712 | 0609396 |
| CN55 | 1337854 | 1440537 | 0608630 | CXW4 | 1346259 | 1442713 | 0609397 |
| CN6 | 1337844 | 1440544 | 0608632 | CXW45 | 1346260 | 1442714 | 0609398 |
| C2 | 1337806 | 1440506 | 0608634 | CXW5 | 1346261 | 1442715 | 0609399 |
| C25 | 1346223 | 1442738 | 0609257 | CXW55 | 1346262 | 1442716 | 0609401 |
| C3 | 1337814 | 1440514 | 0608636 | CXW6 | 1346263 | 1442717 | 0609402 |
| C35 | 1337822 | 1440522 | 0608638 | | | | |

Sash - Standard Window / High Performance Low-E4® Tempered / Notched

| Unit No. | White | Terratone® | Sandtone | Unit No. | White | Terratone® | Sandtone |
|----------|----------------|----------------|----------------|----------|---------|----------------|----------------|
| CR2 | 1346302 | By description | By description | C45 | 1346327 | 1441127 | 0608942 |
| CR3 | 1346304 | 1441104 | 0608904 | C5 | 1346330 | 1441130 | 0608944 |
| CR35 | 1346312 | 1441112 | By description | C55 | 1346333 | 1441133 | 0608946 |
| CR4 | 1346320 | 1441120 | 0608908 | C6 | 1346336 | 1441136 | 0608948 |
| CR45 | 1346325 | By description | By description | CW2 | 1346303 | By description | By description |
| CR5 | 1346328 | 1441128 | 0608912 | CW3 | 1346310 | 1441110 | 0608952 |
| CR55 | 1346331 | By description | By description | CW35 | 1346318 | 1441118 | 0608954 |
| CR6 | 1346334 | 1441134 | By description | CW4 | 1346326 | 1441126 | 0608956 |
| CN2 | By description | By description | By description | CW45 | 1346366 | 1441166 | 0608958 |
| CN3 | 1346306 | By description | 0608920 | CW5 | 1346332 | 1441132 | 0608960 |
| CN35 | 1346314 | 1441114 | 0608922 | CW55 | 1346370 | 1441170 | 0608962 |
| CN4 | 1346322 | 1441122 | 0608924 | CW6 | 1346338 | 1441138 | 0608964 |

Sash

| Sash - Standard Window / High Performance Low-E4® Tempered / Notched | | | | | | | |
|--|---------|----------------|----------------|----------|---------|----------------|----------------|
| Unit No. | White | Terratone® | Sandtone | Unit No. | White | Terratone® | Sandtone |
| CN45 | 1346364 | By description | By description | CXW3 | 1346294 | By description | By description |
| CN5 | 1346329 | 1441129 | 0608928 | CXW35 | 1346295 | By description | 0609403 |
| CN55 | 1346368 | By description | By description | CXW4 | 1346296 | 1442719 | 0609404 |
| CN6 | 1346335 | 1441135 | 0608932 | CXW45 | 1346297 | 1442720 | 0609405 |
| C2 | 1346362 | By description | 0608934 | CXW5 | 1346298 | 1442721 | 0609406 |
| C3 | 1346308 | 1441108 | 0608936 | CXW55 | 1346299 | 1442722 | 0609407 |
| C35 | 1346316 | By description | 0608938 | CXW6 | 1346382 | 1442773 | 0609408 |
| C4 | 1346324 | 1441124 | 0608940 | | | | |

| Sash - Standard Window / High-Performance Sun II / Notched |
|--|
| Note: High-Performance Sun II complete sashes are available. Order by description. |

| Sash - Standard Window / High-Performance Sun II Tempered / Notched |
|---|
| Note: High-Performance Sun II Tempered complete sashes are available. Order by description. |

| Sash - Standard Window / High Performance Low-E4® Finelight™ | | | | | |
|--|----------------|----------------|----------|----------------|----------------|
| Unit No. | White | Sandtone | Unit No. | White | Sandtone |
| CR2 | By description | By description | C6 | 1348172 | 0608518 |
| CR25 | By description | By description | CW2 | 1348173 | By description |
| CR3 | 1348148 | By description | CW25 | 1348174 | By description |
| CR35 | 1348149 | By description | CW3 | 1348175 | 0608539 |
| CR4 | 1348150 | By description | CW35 | 1348176 | 0608540 |
| CR45 | 1348151 | By description | CW4 | 1348177 | 0608541 |
| CR5 | 1348152 | By description | CW45 | 1348178 | 0608542 |
| CR55 | By description | By description | CW5 | 1348179 | 0608543 |
| CR6 | 1348154 | By description | CW55 | 1348180 | 0608544 |
| CN2 | 1348155 | By description | CW6 | 1348181 | 0608545 |
| CN25 | By description | By description | CX25 | By description | By description |
| CN3 | 1348157 | By description | CX3 | By description | By description |
| CN35 | 1348158 | 0608522 | CX35 | By description | By description |
| CN4 | 1348159 | By description | CX4 | By description | By description |
| CN45 | 1348160 | By description | CX45 | By description | By description |
| CN5 | 1348161 | By description | CX5 | By description | By description |
| CN55 | 1348162 | 0608526 | CX55 | By description | By description |
| CN6 | 1348163 | By description | CX6 | By description | By description |
| C2 | 1348164 | 0608510 | CXW3 | 1348182 | By description |
| C25 | 1348165 | By description | CXW35 | 1348183 | By description |
| C3 | 1348166 | 0608512 | CXW4 | 1348184 | 0608548 |
| C35 | 1348167 | 0608513 | CXW45 | 1348185 | 0608549 |
| C4 | 1348168 | 0608514 | CXW5 | 1348186 | 0608550 |
| C45 | 1348169 | 0608515 | CXW55 | 1348187 | 0608551 |
| C5 | 1348170 | 0608516 | CXW6 | 1348188 | 0608552 |
| C55 | 1348171 | 0608517 | | | |

Perma-Shield® Enhanced Casement Windows (1995 to 1998)

Standard and Picture Windows

Sash

Sash - Standard Windows / Dual Pane

Note:

Replacement sash is dimpled for hardware and has notches to accommodate colonial pattern polycarbonate/vinyl removable grilles. See [Service Guide 0003911](#) for venting sash replacement. See [Venting Sash Replacement Video](#). See [Service Guide 0005111](#) for stationary sash replacement. See [Stationary Sash Replacement Video](#).

Sash - Standard Window / Dual Pane / Notched

| Unit No. | White | Terratone® | Sandtone | Unit No. | White | Terratone® | Sandtone |
|----------|----------------|----------------|----------------|----------|----------------|----------------|----------------|
| CR2 | 1346801 | 1446801 | By description | CN2 | By description | By description | By description |
| CR3 | 1346802 | 1446802 | By description | CN3 | 1346832 | 1446832 | By description |
| CR35 | 1346803 | 1446803 | By description | CN35 | 1346819 | 1446811 | By description |
| CR4 | 1346804 | 1446804 | By description | CN4 | 1346834 | 1446834 | By description |
| CR45 | By description | By description | By description | CN45 | 1339176 | By description | By description |
| CR5 | 1346806 | 1446806 | By description | CN5 | 1346838 | 1446836 | 0608448 |
| CR55 | By description | By description | By description | CN55 | 1339182 | By description | 0608445 |
| CR6 | 1346807 | 1446807 | By description | CN6 | 1346840 | 1446838 | By description |
| C2 | By description | By description | By description | CW2 | 1346836 | 1446819 | By description |
| C3 | 1346808 | 1446808 | 0608426 | CW3 | 1346820 | 1446820 | 0608453 |
| C35 | 1346810 | 1446810 | 0608424 | CW35 | 1346822 | 1446822 | 0608452 |
| C4 | 1346812 | 1446812 | 0608429 | CW4 | 1346826 | 1446826 | 0608457 |
| C45 | 1339154 | By description | 0608427 | CW45 | 1339197 | By description | 0608456 |
| C5 | 1346816 | 1446816 | 0608434 | CW5 | 1346827 | 1446828 | 0608461 |
| C55 | 1339160 | By description | 0608431 | CW55 | 1339203 | By description | 0608459 |
| C6 | 1346818 | 1446818 | 0608436 | CW6 | 1346829 | 1446830 | 0608463 |

Sash

Sash - Picture Windows / High Performance

Note:

To determine if window is a sash or direct set glass, examine interior glass edges as shown on [page 6](#). Sizes shown in [size grid](#) that are not part numbered available by description. Clips/fasteners included.

Complete Sash - Picture Window / High Performance Low-E4®

| Unit No. | White | Terratone® | Sandtone | Unit No. | White | Terratone® | Sandtone |
|----------|---------|------------|----------------|----------|---------|------------|----------------|
| CP23 | 1337908 | 1440608 | 0608672 | CP305 | 1337904 | 1440604 | 0608668 |
| CP235 | 1337912 | 1440612 | 0608674 | CP33 | 1337928 | 1440628 | 0608688 |
| CP24 | 1337916 | 1440616 | 0608676 | CP335 | 1337932 | 1440632 | 0608690 |
| CP245 | 1337918 | 1440618 | 0608678 | CP34 | 1337936 | 1440636 | 0608692 |
| CP25 | 1337920 | 1440620 | 0608680 | CP35 | 1337940 | 1440640 | 0608696 |
| CP255 | 1337922 | 1440622 | By description | CP3535 | 1337946 | 1440606 | By description |
| CP26 | 1337924 | 1440624 | 0608684 | CP505 | 1337950 | 1440626 | 0608686 |
| CP303 | 1337944 | 1440603 | By description | | | | |

Complete Sash - Picture Window / High Performance Low-E4® Tempered

| Unit No. | White | Terratone® | Sandtone | Unit No. | White | Terratone® | Sandtone |
|----------|----------------|----------------|----------------|----------|----------------|----------------|----------------|
| CP23 | 1346342 | 1441143 | By description | CP245 | By description | By description | By description |
| CP235 | By description | By description | By description | CP25 | 1346348 | 1441149 | By description |
| CP24 | 1346346 | 1441146 | By description | CP255 | By description | By description | By description |
| CP26 | 1346350 | 1441150 | By description | CP34 | 1346356 | 1441156 | By description |
| CP303 | By description | By description | By description | CP35 | 1346358 | 1441158 | By description |
| CP305 | By description | 1441140 | By description | CP3535 | By description | By description | By description |
| CP33 | 1346352 | 1441152 | By description | CP505 | 1346746n | 1346745 | 1346744 |
| CP335 | By description | By description | By description | | | | |

Complete Sash - Picture Window / High-Performance Sun II

| Unit No. | White | Terratone® | Sandtone | Unit No. | White | Terratone® | Sandtone |
|----------|---------|------------|----------|----------|---------|------------|----------|
| CP24 | 1346654 | 1346653 | 1346652 | CP33 | 1346671 | 1346670 | 1346669 |
| CP25 | 1346657 | 1346656 | 1346655 | CP335 | 1346749 | 1346748 | 1346747 |
| CP26 | 1346660 | 1346659 | 1346658 | CP34 | 1346674 | 1346673 | 1346672 |
| CP305 | 1346650 | 1346666 | 1346664 | CP35 | 1346743 | 1346742 | 1346741 |

Complete Sash - Picture Window / High-Performance Sun II Tempered

Note:

Complete sash for picture windows with High-Performance Sun II Tempered glass are available. Order by description.

Sash - Picture Windows / Dual Pane

Note:

To determine if window is a sash or direct set glass, examine interior glass edges as shown on [page 6](#). Sizes shown in [size grid](#) that are not part numbered available by description. Clips/fasteners included.

Complete Sash - Picture Window / Dual Pane

| Unit No. | White | Terratone® | Sandtone | Unit No. | White | Terratone® | Sandtone |
|----------|---------|----------------|----------------|----------|---------|------------|----------------|
| CP23 | 1346520 | 1446520 | By description | CP305 | 1346544 | 1446544 | By description |
| CP235 | 1346526 | 1446526 | By description | CP33 | 1346524 | 1446524 | By description |
| CP24 | 1346528 | 1446528 | By description | CP335 | 1346530 | 1446530 | By description |
| CP25 | 1356536 | 1446536 | By description | CP34 | 1346532 | 1446532 | By description |
| CP26 | 1346540 | 1446540 | By description | CP35 | 1346534 | 1446534 | By description |
| CP303 | 1346546 | By description | By description | CP3535 | 1346548 | 1446548 | By description |

Perma-Shield® Enhanced Casement Windows (1995 to 1998)

Standard and Picture Windows

Sash

Sash Parts

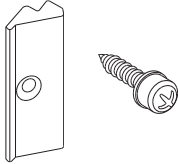
Stationary Sash Clip Package

| | | |
|---|---|------------------|
|  | Package Includes: (12) Clips (36) Nails (24) Screws | Order No. |
| | | 1359410 |

Stationary Sash Clip - Single

| | |
|--|------------------|
| | Order No. |
| | 1361392 |

Sash Kit Snugger

| | | |
|--|--|----------------------|
|  | Kit Includes: Sash snugger, screws and guide. Snugger screw (frame) Installed on units C4 or larger. See Accessory Guide 0005099 . | Gray |
| | | 1358104 |
| | Unit Size | # of Snuggers |
| | CW6/CX6/CXW6/CW55/CX55/CXW55/CX5/CXW5 | 3 |
| | CR6/CN6/C6/CR55/CN55/C55/CR5/CN5/C5/CW5/CW45/CX45/CXW45/CW4/CX4/CXWR | 2 |
| CR45/CN45/C45/CR4/CN4/C4/CR35/CN35/C35/CW35/CXW35/CR3/CN3/C3/CW3/CX3/CXW3 | 1 | |

Sash

Weatherstrip

Note:

See [Weatherstrip Replacement Video](#).

Weatherstrip - Bulb / Rail / Top and Bottom (Pair) (2014 to Present) Ref. No. 3 [page 14](#)

Note:

This weatherstrip replaces all previous vintages of “kerf style” weatherstrip. Weatherstrip is pressure fit; no adhesive is required. Replace all four pieces (two rails, two stiles) on each sash.

| | | | | |
|--|-----------------|----------------------------------|--------------|-------------------------|
| | Unit No. | Dimensions | White | Gray |
| | CR1 | 14 ³¹ / ₃₂ | 1362306 | 1461206 |
| | CN1 | 18 ¹⁵ / ₃₂ | 1362312 | 1461212 |
| | C1 | 22 ³ / ₃₂ | 1362308 | 1461208 |
| | CW1 | 26 ¹¹ / ₃₂ | 1362310 | 1461210 |
| | CXW1 | 33 ³¹ / ₃₂ | 1526112 | 2108008 |

Weatherstrip - Bulb / Stile / Left and Right (Pair) (2014 to Present) Ref. No. 5 [page 14](#)

Note:

This weatherstrip replaces all previous vintages of “kerf style” weatherstrip. Weatherstrip is pressure fit; no adhesive is required. Replacement piece is notched on each side. Replace all four pieces (two rails, two stiles) on each sash.

| | | | | |
|-----------|---------------------------------|----------------------------------|-------------------------|-------------------------|
| | Unit No. | Dimensions | White | Gray |
| | C2 | 21 ²¹ / ₃₂ | 1362406 | 1461306 |
| | C25 | 25 ²⁹ / ₃₂ | 1362407 | 1461307 |
| | C3 | 33 ¹ / ₂ | 1362408 | 1461308 |
| | C35 | 38 ³ / ₈ | 1362410 | 1461312 |
| | C4 | 45 ⁹ / ₁₆ | 1362412 | 1461316 |
| | C45 | 50 ³ / ₈ | 1362413 | 1461318 |
| | C5 | 57 ⁷ / ₁₆ | 1362414 | 1461320 |
| | C55 | 62 ³ / ₈ | 1362415 | 1461322 |
| C6 | 69 ⁷ / ₁₆ | 1362416 | 1461324 | |

Weatherstrip - Waterbar No. 9 [page 14](#)

Note:

Waterbar is adhered to sash with vinyl-to-vinyl adhesive, sold below.

| | | | | |
|------------------|----------------------------------|----------------------------------|--------------|-------------|
| | Unit No. | Dimensions | White | Gray |
| | CR1 | 15 ²⁵ / ₃₂ | 1362106 | 1461006 |
| | CN1 | 19 ⁹ / ₃₂ | 1362110 | 1461010 |
| | C1 | 22 ²⁹ / ₃₂ | 1362108 | 1461008 |
| | CW1 | 27 ⁵ / ₃₂ | 1362112 | 1461012 |
| CXW1/CP30 | 34 ²³ / ₃₂ | 1362114 | 1461014 | |

Adhesive - Vinyl-to-Vinyl / Clear

| | | |
|--|-------------------------|---------------|
| | 2 Ounce | 1 Pint |
| | 1357007 | 1357012 |

Weatherstrip - Black Foam

| | |
|--|-------------------------|
| | Order No. |
| | 2962027 |

Perma-Shield® Enhanced Casement Windows (1995 to 1998)

Standard and Picture Windows

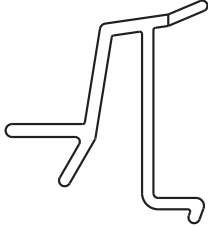
Sash

Glazing Beads - Vinyl

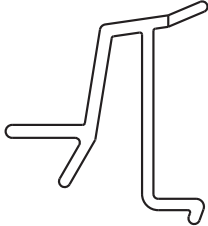
Note:

Glazing Beads (Prior to March 2004) are no longer available. To replace, order current vintage glazing beads replacing all four beads, not just the failed bead (the profiles are different). See glazing beads in the Perma-Shield® Improved/EZ Casement Windows (1999 to Present) section for order information.

Glazing Bead - 5/8" / Rail (Prior to March 2004)

| | | | |
|---|--|-----------------|----------------------------------|
|  | | Unit No. | Dimensions |
| | | CR1 | 13 ¹⁷ / ₃₂ |
| | | CN1 | 17 ¹ / ₃₂ |
| | | C1 | 20 ²¹ / ₃₂ |
| | | CW1 | 24 ²⁹ / ₃₂ |
| | | CXW | 32 ¹ / ₂ |

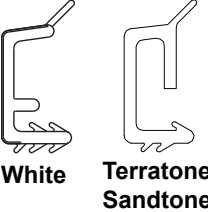
Glazing Bead - 5/8" / Stile (Prior to March 2004)

| | | | |
|---|---------------------------------|-----------------|---------------------------------|
|  | | Unit No. | Dimensions |
| | | C2 | 20 ⁵ / ₁₆ |
| | | C25 | 24 ⁹ / ₁₆ |
| | | C3 | 32 ¹ / ₈ |
| | | C35 | 35 |
| | | C4 | 44 ³ / ₁₆ |
| | | C45 | 49 |
| | | C5 | 56 ¹ / ₆ |
| | | C55 | 61 |
| C6 | 68 ³ / ₃₂ | | |

Glazing Bead - 825 Picture / Rail and Stile

Note:

If discontinued, order longer length bead and size to fit.

| | | | | | |
|--|------------------|----------------------------------|--------------|-------------------|-----------------|
|  <p>White Terratone Sandtone</p> | Unit No. | Dimensions | White | Terratone® | Sandtone |
| | C3/A3 | 32 ¹³ / ₃₂ | 1351110 | 1470210 | 0611710 |
| | C35/A35 | 37 ⁹ / ₃₂ | 1351112 | 1470212 | 0611712 |
| | C4/A4 | 44 ¹⁵ / ₃₂ | 1351114 | 1470214 | 0611714 |
| | C45/A45 | 49 ⁹ / ₃₂ | 8021601 | 8021602 | 8021603 |
| | C5/A5 | 56 ¹¹ / ₃₂ | 1351116 | 1470216 | 0611718 |
| | C55/A55 | 61 ⁹ / ₃₂ | 8021604 | 8021605 | 8021606 |
| | C6/A6 | 68 ¹¹ / ₃₂ | 1351118 | 1470218 | 0611722 |
| | CP2/AP2 | 44 ²⁹ / ₃₂ | 1351104 | 1470204 | 0611704 |
| | CP3/AP3 | 68 ²⁵ / ₃₂ | 1351108 | 1470208 | 0611708 |
| | CP30/AP30 | 32 ²⁷ / ₃₂ | 1351102 | 1470202 | |
| | CP50/AP50 | 56 ²⁵ / ₃₂ | 1351106 | 1470206 | 0611706 |

Glass

| Glass Size Table - Picture Windows | | |
|---|-----------------------------------|-----------------------------|
| Glass Size Table - Picture Window | | |
| Unit No. | Unobstructed Glass (w x h) | Actual Glass (w x h) |
| P3030 | 31 1/8 x 31 1/8 | 32 21/32 x 32 21/32 |
| P3035 | 31 1/8 x 36 | 32 21/32 x 37 17/32 |
| P3040 | 31 1/8 x 43 3/16 | 32 21/32 x 44 23/32 |
| P3045 | 31 1/8 x 48 | 32 21/32 x 49 17/32 |
| P3050 | 31 1/8 x 55 1/16 | 32 21/32 x 56 19/32 |
| P3055 | 31 1/8 x 60 | 32 21/32 x 61 17/32 |
| P3060 | 31 1/8 x 67 1/16 | 32 21/32 x 68 19/32 |
| P3530 | 36 x 31 1/8 | 37 17/32 x 32 21/32 |
| P3535 | 36 x 36 | 37 17/32 x 37 17/32 |
| P3540 | 36 x 43 3/16 | 37 17/32 x 44 23/32 |
| P3545 | 36 x 48 | 37 17/32 x 49 17/32 |
| P3550 | 36 x 55 1/16 | 37 17/32 x 56 19/32 |
| P3555 | 36 x 60 | 37 17/32 x 61 17/32 |
| P3560 | 36 x 67 1/16 | 37 17/32 x 68 19/32 |
| P4030 | 43 3/16 x 31 1/8 | 44 23/32 x 32 21/32 |
| P4035 | 43 3/16 x 36 | 44 23/32 x 37 17/32 |
| P4040 | 43 3/16 x 43 3/16 | 44 23/32 x 44 23/32 |
| P4045 | 43 3/16 x 48 | 44 23/32 x 49 17/32 |
| P4050 | 43 3/16 x 55 1/16 | 44 23/32 x 56 19/32 |
| P4055 | 43 3/16 x 60 | 44 23/32 x 61 17/32 |
| P4060 | 43 3/16 x 67 1/16 | 44 23/32 x 68 19/32 |
| P4530 | 48 x 31 1/8 | 49 17/32 x 32 21/32 |
| P4535 | 48 x 36 | 49 17/32 x 37 17/32 |
| P4540 | 48 x 43 3/16 | 49 17/32 x 44 23/32 |
| P4545 | 48 x 48 | 49 17/32 x 49 17/32 |
| P4550 | 48 x 55 1/16 | 49 17/32 x 56 19/32 |
| P4555 | 48 x 60 | 49 17/32 x 61 17/32 |
| P4560 | 48 x 67 1/16 | 49 17/32 x 68 19/32 |
| P5030 | 55 1/16 x 31 1/8 | 56 19/32 x 32 21/32 |
| P5035 | 55 1/16 x 36 | 56 19/32 x 37 17/32 |
| P5040 | 55 1/16 x 43 3/16 | 56 19/32 x 44 23/32 |
| P5045 | 55 1/16 x 48 | 56 19/32 x 49 17/32 |
| P5050 | 55 1/16 x 55 1/16 | 56 19/32 x 56 19/32 |
| P5055 | 55 1/16 x 60 | 56 19/32 x 61 17/32 |
| P5060 | 55 1/16 x 67 1/16 | 56 19/32 x 68 19/32 |

Perma-Shield® Enhanced Casement Windows (1995 to 1998)

Standard and Picture Windows

Glass

Glass Size Table - Picture Windows

| Glass Size Table - Picture Window | | |
|-----------------------------------|----------------------------|----------------------|
| Unit No. | Unobstructed Glass (w x h) | Actual Glass (w x h) |
| P5530 | 60 × 31 1/8 | 61 17/32 × 32 21/32 |
| P5535 | 60 × 36 | 61 17/32 × 37 17/32 |
| P5540 | 60 × 43 3/16 | 61 17/32 × 44 23/32 |
| P5545 | 60 × 48 | 61 17/32 × 49 17/32 |
| P5550 | 60 × 55 1/16 | 61 17/32 × 56 19/32 |
| P6030 | 67 1/2 × 31 1/8 | 68 19/32 × 32 21/32 |
| P6035 | 67 1/2 × 36 | 68 19/32 × 37 17/32 |
| P6040 | 67 1/2 × 43 3/16 | 68 19/32 × 44 23/32 |
| P6045 | 67 1/2 × 48 | 68 19/32 × 49 17/32 |
| P6050 | 67 1/2 × 55 1/16 | 68 19/32 × 56 19/32 |

Glass - Picture Windows / High Performance

Note:

To determine if window is a sash or direct set glass, examine interior glass edges as shown on [page 6](#).

See [Service Guide 0005138](#).

Glass - Picture Window / High Performance Low-E4®

| Unit No. | Order No. | Unit No. | Order No. | Unit No. | Order No. |
|----------|-----------|----------|-----------|----------|-----------|
| P3030 | 1559306 | P4035 | 1559314 | P5040 | 1559321 |
| P3035 | 1559307 | P4040 | 1559319 | P5045 | 1559325 |
| P3040 | 1559308 | P4045 | 1559320 | P5050 | 1559328 |
| P3045 | 1559309 | P4050 | 1559321 | P5055 | 1559329 |
| P3050 | 1559310 | P4055 | 1559322 | P5060 | 1559330 |
| P3055 | 1559311 | P4060 | 1559323 | P5530 | 1559311 |
| P3060 | 1559312 | P4530 | 1559309 | P5535 | 1559317 |
| P3530 | 1559307 | P4535 | 1559315 | P5540 | 1559322 |
| P3535 | 1559313 | P4540 | 1559320 | P5545 | 1559326 |
| P3540 | 1559314 | P4545 | 1559324 | P5550 | 1559329 |
| P3545 | 1559315 | P4550 | 1559325 | P6030 | 1559312 |
| P3550 | 1559316 | P4555 | 1559326 | P6035 | 1559318 |
| P3555 | 1559317 | P4560 | 1559327 | P6040 | 1559323 |
| P3560 | 1559318 | P5030 | 1559310 | P6045 | 1559327 |
| P4030 | 1559308 | P5035 | 1559316 | P6050 | 1559330 |

Glass

| Glass - Picture Window / High Performance Low-E4® Tempered | | | | | |
|--|-----------|----------|-----------|----------|-----------|
| Unit No. | Order No. | Unit No. | Order No. | Unit No. | Order No. |
| P3030 | 1559356 | P4035 | 1559364 | P5040 | 1559371 |
| P3035 | 1559357 | P4040 | 1559369 | P5045 | 1559375 |
| P3040 | 1559358 | P4045 | 1559370 | P5050 | 1559378 |
| P3045 | 1559359 | P4050 | 1559371 | P5055 | 1559379 |
| P3050 | 1559360 | P4055 | 1559372 | P5060 | 1559380 |
| P3055 | 1559361 | P4060 | 1559373 | P5530 | 1559361 |
| P3060 | 1559362 | P4530 | 1559359 | P5535 | 1559367 |
| P3530 | 1559357 | P4535 | 1559365 | P5540 | 1559372 |
| P3535 | 1559363 | P4540 | 1559370 | P5545 | 1559376 |
| P3540 | 1559364 | P4545 | 1559374 | P5550 | 1559379 |
| P3545 | 1559365 | P4550 | 1559375 | P6030 | 1559362 |
| P3550 | 1559366 | P4555 | 1559376 | P6035 | 1559368 |
| P3555 | 1559367 | P4560 | 1559377 | P6040 | 1559373 |
| P3560 | 1559368 | P5030 | 1559360 | P6045 | 1559377 |
| P4030 | 1559358 | P5035 | 1559366 | P6050 | 1559380 |

| Glass - Picture Window / High-Performance Sun II |
|--|
| Note: High-Performance Sun II glass is available by description. |

| Glass - Picture Window / High-Performance Sun II Tempered |
|---|
| Note: High-Performance Sun II tempered glass is available by description. |

| Glass - Picture Window / High Performance Low-E4® Finelight™ | | | | | |
|--|-----------|----------|-----------|----------|-----------|
| Unit No. | Order No. | Unit No. | Order No. | Unit No. | Order No. |
| P3030 | 1559455 | P4035 | 1559463 | P5040 | 1559470 |
| P3035 | 1559456 | P4040 | 1559468 | P5045 | 1559474 |
| P3040 | 1559457 | P4045 | 1559469 | P5050 | 1559477 |
| P3045 | 1559458 | P4050 | 1559470 | P5055 | 1559478 |
| P3050 | 1559459 | P4055 | 1559471 | P5060 | 1559479 |
| P3055 | 1559460 | P4060 | 1559472 | P5530 | 1559460 |
| P3060 | 1559461 | P4530 | 1559458 | P5535 | 1559466 |
| P3530 | 1559456 | P4535 | 1559464 | P5540 | 1559471 |
| P3535 | 1559462 | P4540 | 1559469 | P5545 | 1559475 |
| P3540 | 1559463 | P4545 | 1559473 | P5550 | 1559478 |
| P3545 | 1559464 | P4550 | 1559474 | P6030 | 1559461 |
| P3550 | 1559465 | P4555 | 1559475 | P6035 | 1559467 |
| P3555 | 1559466 | P4560 | 1559476 | P6040 | 1559472 |
| P3560 | 1559467 | P5030 | 1559459 | P6045 | 1559476 |
| P4030 | 1559457 | P5035 | 1559465 | P6050 | 1559479 |

Perma-Shield® Enhanced Casement Windows (1995 to 1998)

Standard and Picture Windows

Glass

Glass - Picture Windows / Dual Pane

Note:

To determine if window is a sash or direct set glass, examine interior glass edges as shown on [page 6](#).

See [Service Guide 0005138](#).

| Glass - Picture Window / Dual Pane | | | | | |
|------------------------------------|-----------|----------|-----------|----------|-----------|
| Unit No. | Order No. | Unit No. | Order No. | Unit No. | Order No. |
| P3030 | 1559601 | P4035 | 1559609 | P5040 | 1559616 |
| P3035 | 1559602 | P4040 | 1559614 | P5045 | 1559620 |
| P3040 | 1559603 | P4045 | 1559615 | P5050 | 1559623 |
| P3045 | 1559604 | P4050 | 1559616 | P5055 | 1559624 |
| P3050 | 1559605 | P4055 | 1559617 | P5060 | 1559625 |
| P3055 | 1559606 | P4060 | 1559618 | P5530 | 1559606 |
| P3060 | 1559607 | P4530 | 1559604 | P5535 | 1559612 |
| P3530 | 1559602 | P4535 | 1559610 | P5540 | 1559617 |
| P3535 | 1559608 | P4540 | 1559615 | P5545 | 1559621 |
| P3540 | 1559609 | P4545 | 1559619 | P5550 | 1559624 |
| P3545 | 1559610 | P4550 | 1559620 | P6030 | 1559607 |
| P3550 | 1559611 | P4555 | 1559621 | P6035 | 1559613 |
| P3555 | 1559612 | P4560 | 1559622 | P6040 | 1559618 |
| P3560 | 1559613 | P5030 | 1559605 | P6045 | 1559622 |
| P4030 | 1559603 | P5035 | 1559611 | P6050 | 1559625 |

| Glass - Picture Window / Dual Pane Tempered | | | | | |
|---|-----------|----------|-----------|----------|-----------|
| Unit No. | Order No. | Unit No. | Order No. | Unit No. | Order No. |
| P3030 | 1559626 | P4035 | 1559634 | P5040 | 1559641 |
| P3035 | 1559627 | P4040 | 1559639 | P5045 | 1559645 |
| P3040 | 1559628 | P4045 | 1559640 | P5050 | 1559648 |
| P3045 | 1559629 | P4050 | 1559641 | P5055 | 1559649 |
| P3050 | 1559630 | P4055 | 1559642 | P5060 | 1559650 |
| P3055 | 1559631 | P4060 | 1559643 | P5530 | 1559631 |
| P3060 | 1559632 | P4530 | 1559629 | P5535 | 1559637 |
| P3530 | 1559627 | P4535 | 1559635 | P5540 | 1559642 |
| P3535 | 1559633 | P4540 | 1559640 | P5545 | 1559646 |
| P3540 | 1559634 | P4545 | 1559644 | P5550 | 1559649 |
| P3545 | 1559635 | P4550 | 1559645 | P6030 | 1559632 |
| P3550 | 1559636 | P4555 | 1559646 | P6035 | 1559638 |
| P3555 | 1559637 | P4560 | 1559647 | P6040 | 1559643 |
| P3560 | 1559638 | P5030 | 1559630 | P6045 | 1559647 |
| P4030 | 1559628 | P5035 | 1559636 | P6050 | 1559650 |

Glass

| Glass - Picture Window / Dual Pane Finelight™ | | | | | |
|--|------------------|-----------------|------------------|-----------------|------------------|
| Unit No. | Order No. | Unit No. | Order No. | Unit No. | Order No. |
| P3030 | 1559651 | P4035 | 1559659 | P5040 | 1559666 |
| P3035 | 1559652 | P4040 | 1559664 | P5045 | 1559670 |
| P3040 | 1559653 | P4045 | 1559665 | P5050 | 1559673 |
| P3045 | 1559654 | P4050 | 1559666 | P5055 | 1559674 |
| P3050 | 1559655 | P4055 | 1559667 | P5060 | 1559675 |
| P3055 | 1559656 | P4060 | 1559668 | P5530 | 1559656 |
| P3060 | 1559657 | P4530 | 1559654 | P5535 | 1559662 |
| P3530 | 1559652 | P4535 | 1559660 | P5540 | 1559667 |
| P3535 | 1559658 | P4540 | 1559665 | P5545 | 1559671 |
| P3540 | 1559659 | P4545 | 1559669 | P5550 | 1559674 |
| P3545 | 1559660 | P4550 | 1559670 | P6030 | 1559657 |
| P3550 | 1559661 | P4555 | 1559671 | P6035 | 1559663 |
| P3555 | 1559662 | P4560 | 1559672 | P6040 | 1559668 |
| P3560 | 1559663 | P5030 | 1559655 | P6045 | 1559672 |
| P4030 | 1559653 | P5035 | 1559661 | P6050 | 1559675 |

Perma-Shield® Enhanced Casement Windows (1995 to 1998)

Standard and Picture Windows

Insect Screens

Insect Screens - TruScene® Screens

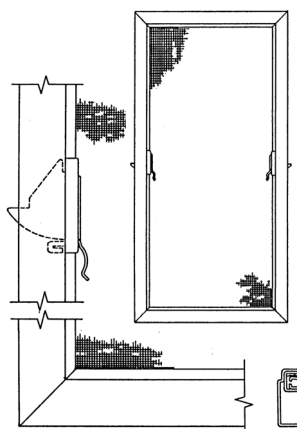
Insect Screen - TruScene® Screen

Note:

TruScene® insect screens are available. See TruScene screens in the Perma-Shield® Improved/EZ Casement Windows (1999 to Present) section for order information.

Insect Screens - Standard Screens

Note: See [Insect Screen Replacement Video](#). Screen may show stamp on bottom identifying size. Always verify CW35* & CW35E* by the screen sizes. A CW35E unit will also have a Straight-arm type operator.



Insect Screen - Standard Screen

| Unit No. | | Dimensions (w x h) | Stone | White | Unit No. | | Dimensions (w x h) | Stone | White |
|------------|--------------------|--------------------|---------|------------|------------|---------------------|---------------------|---------|---------|
| CR | CR2 | 13 9/16 × 19 21/32 | 1344006 | 1345022 | CN | CN5 | 17 1/16 × 55 13/32 | 1344044 | 1345044 |
| | CR25 | 13 9/16 × 23 29/32 | 1344084 | 1344080 | | CN55 | 17 1/16 × 60 11/32 | 1344045 | 1345046 |
| | CR3 | 13 9/16 × 31 15/32 | 1344025 | 1345024 | | CN6 | 17 1/16 × 67 13/32 | 1344046 | 1345048 |
| | CR35 | 13 9/16 × 36 11/32 | 1344009 | 1345026 | C | C2 | 20 11/16 × 19 21/32 | 1344004 | 1345006 |
| | CR4 | 13 9/16 × 43 17/32 | 1344026 | 1345028 | | C25 | 20 11/16 × 23 29/32 | 1344086 | 1344082 |
| | CR45 | 13 9/16 × 48 11/32 | 1344017 | 1345029 | | C3 | 20 11/16 × 31 15/32 | 1344008 | 1345008 |
| | CR5 | 13 9/16 × 55 13/32 | 1344027 | 1345030 | | C35 | 20 11/16 × 36 11/32 | 1344012 | 1345040 |
| | CR55 | 13 9/16 × 60 11/32 | 1344021 | 1345031 | | C4 | 20 11/16 × 43 17/32 | 1344016 | 1345012 |
| CR6 | 13 9/16 × 67 13/32 | 1344022 | 1345032 | C45 | | 20 11/16 × 48 11/32 | 1344048 | 1345014 | |
| CN | CN2 | 17 1/16 × 19 21/32 | 1344002 | 1345034 | C5 | 20 11/16 × 55 13/32 | 1344020 | 1345016 | |
| | CN25 | 17 1/16 × 23 29/32 | 1344085 | 1344081 | C55 | 20 11/16 × 60 11/32 | 1344050 | 1345018 | |
| | CN3 | 17 1/16 × 31 15/32 | 1344040 | 1345036 | C6 | 20 11/16 × 67 13/32 | 1344024 | 1345020 | |
| | CN35 | 17 1/16 × 36 11/32 | 1344028 | 1345038 | | | | | |
| | CN4 | 17 1/16 × 43 17/32 | 1344042 | 1345041 | | | | | |
| | CN45 | 17 1/16 × 48 11/32 | 1344043 | 1345042 | | | | | |

Insect Screens

| Insect Screen - Standard Screen | | | | | | | | |
|---------------------------------|--------------------|---|---------|----------|--------------------|--------------|---|-----------------|
| Unit No. | Dimensions (w x h) | Stone | White | Unit No. | Dimensions (w x h) | Stone | White | |
| CW | CW2 | 24 ¹⁵ / ₁₆ × 19 ¹⁹ / ₃₂ | 1344007 | 1345050 | CXW | CXW3 | 32 ¹ / ₂ × 31 ¹⁵ / ₃₂ | 1344064 1345065 |
| | CW25 | 24 ¹⁵ / ₁₆ × 23 ²⁹ / ₃₂ | 1344087 | 1344083 | | CXW35 | 32 ¹ / ₂ × 36 ¹¹ / ₃₂ | 1344065 1345066 |
| | CW3 | 24 ¹⁵ / ₁₆ × 31 ¹⁵ / ₃₂ | 1344029 | 1345052 | | CXW4 | 32 ¹ / ₂ × 43 ¹⁷ / ₃₂ | 1344066 1345067 |
| | CW35* | 24 ¹⁵ / ₁₆ × 36 ¹¹ / ₃₂ | 1344030 | 1345054 | | CXW45 | 32 ¹ / ₂ × 48 ¹¹ / ₃₂ | 1344067 1345068 |
| | CW35E* | 24 ¹⁵ / ₁₆ × 36 ³⁵ / ₆₄ | 1344074 | 1345075 | | CXW5 | 32 ¹ / ₂ × 55 ¹³ / ₃₂ | 1344068 1345069 |
| | CW4 | 24 ¹⁵ / ₁₆ × 43 ¹⁷ / ₃₂ | 1344034 | 1345056 | | CXW55 | 32 ¹ / ₂ × 60 ¹¹ / ₃₂ | 1344069 1345070 |
| | CW45 | 24 ¹⁵ / ₁₆ × 48 ¹¹ / ₃₂ | 1344035 | 1345058 | | CXW6 | 32 ¹ / ₂ × 67 ¹³ / ₃₂ | 1344070 1345071 |
| | CW5 | 24 ¹⁵ / ₁₆ × 55 ¹³ / ₃₂ | 1344036 | 1345060 | | | | |
| | CW55 | 24 ¹⁵ / ₁₆ × 60 ¹¹ / ₃₂ | 1344037 | 1345062 | | | | |
| | CW6 | 24 ¹⁵ / ₁₆ × 67 ¹³ / ₃₂ | 1344038 | 1345064 | | | | |

| Insect Screen Parts | | |
|---|---|--|
| Insect Screen Warning Label | | |
| <p>▲ IMPORTANT Screen will not stop child from falling out window.</p> | | Order No. 1345005 |
| | | |
| Insect Screen Strike | | |
| | | Color Tan White |
| | | Order No. 1361393 1361395 |
| | | |
| Insect Screen Wing Blade Lock with Housing (Pair) | | |
| | Description 1-A-15516 | Stone N/A |
| | Note: The originals are hard to replace. No instructions are provided. Consider a replacement screen instead. | |

Perma-Shield® Enhanced Casement Windows (1995 to 1998)

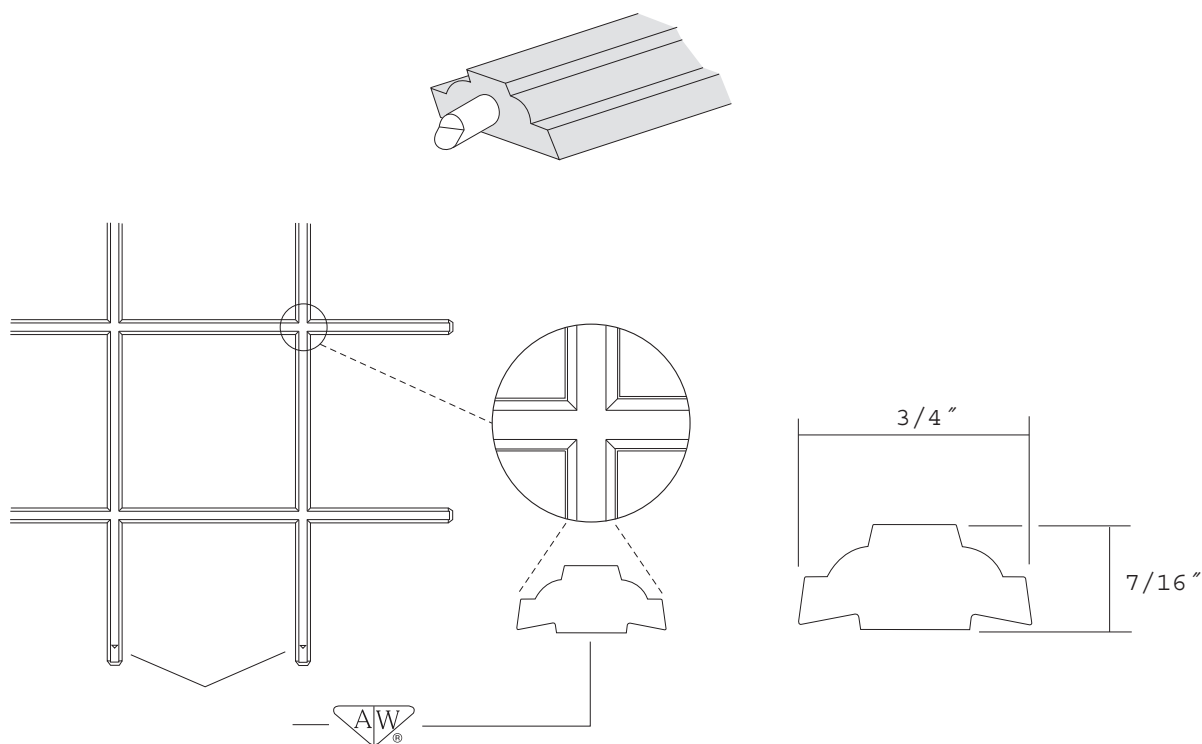
Standard and Picture Windows

Grilles

Interior Grilles - Standard Windows / Colonial

Note:

See [Accessory Guide 0005285](#). See [Grille Application Video](#). Grilles include fasteners.



Perma-Shield® Enhanced Casement Window Grilles - 3/4" Wood

| Interior Grille - Standard Window / Colonial / 3/4" Wood / Natural Wood Interior | | | | | | |
|--|--------------|--------------------|------------------|------------|----------|---------|
| Unit No. | Lite Pattern | Dimensions (w x h) | Exterior | | | |
| | | | White | Terratone® | Sandtone | |
| | | | Maple Interior | | | |
| CR | 2 | 2W x 2H | 12 3/4 x 19 1/2 | 1344523 | 1445333 | 0603846 |
| | 25 | 2W x 2H | 12 3/4 x 23 3/4 | 1344564 | 1445364 | 0603877 |
| | 3 | 2W x 3H | 12 3/4 x 31 5/16 | 1344524 | 1445335 | 0603848 |
| | 35 | 2W x 3H | 12 3/4 x 36 3/16 | 1344525 | 1445334 | 0603847 |
| | 4 | 2W x 4H | 12 3/4 x 43 3/8 | 1344526 | 1445337 | 0603850 |
| | 45 | 2W x 4H | 12 3/4 x 48 3/16 | 1344527 | 1445336 | 0603849 |
| | 5 | 2W x 5H | 12 3/4 x 55 1/4 | 1344528 | 1445339 | 0603852 |
| | 55 | 2W x 5H | 12 3/4 x 60 3/16 | 1344529 | 1445338 | 0603851 |
| | 6 | 2W x 6H | 12 3/4 x 67 1/4 | 1344530 | 1445340 | 0603853 |

Grilles

| Interior Grille - Standard Window / Colonial / 3/4" Wood / Natural Wood Interior | | | | | | |
|--|--------------|--------------------|--------------------|------------|----------|---------|
| Unit No. | Lite Pattern | Dimensions (w x h) | Exterior | | | |
| | | | White | Terratone® | Sandtone | |
| | | | Maple Interior | | | |
| CN | 2 | 2W x 2H | 16 1/4 x 19 1/2 | 1344531 | 1445324 | 0603836 |
| | 25 | 2W x 2H | 16 1/4 x 23 3/4 | 1344565 | 1445365 | 0603878 |
| | 3 | 2W x 3H | 16 1/4 x 31 5/16 | 1344532 | 1445326 | 0603838 |
| | 35 | 2W x 3H | 16 1/4 x 36 3/16 | 1344533 | 1445325 | 0603837 |
| | 4 | 2W x 4H | 16 1/4 x 43 3/8 | 1344534 | 1445328 | 0603840 |
| | 45 | 2W x 4H | 16 1/4 x 48 3/16 | 1344535 | 1445327 | 0603839 |
| | 5 | 2W x 5H | 16 1/4 x 55 1/4 | 1344536 | 1445330 | 0603842 |
| | 55 | 2W x 5H | 16 1/4 x 60 3/16 | 1344537 | 1445329 | 0603841 |
| C | 2 | 2W x 2H | 19 7/8 x 19 1/2 | 1344539 | 1445356 | 0603869 |
| | 25 | 2W x 2H | 19 7/8 x 23 3/4 | 1344566 | 1445366 | 0603879 |
| | 3 | 2W x 3H | 19 7/8 x 31 5/16 | 1344540 | 1445358 | 0603871 |
| | 35 | 2W x 3H | 19 7/8 x 36 3/16 | 1344541 | 1445357 | 0603870 |
| | 4 | 2W x 4H | 19 7/8 x 43 3/8 | 1344542 | 1445360 | 0603873 |
| | 45 | 2W x 4H | 19 7/8 x 48 3/16 | 1344543 | 1445359 | 0603872 |
| | 5 | 2W x 5H | 19 7/8 x 55 1/4 | 1344544 | 1445362 | 0603875 |
| | 55 | 2W x 5H | 19 7/8 x 60 3/16 | 1344545 | 1445361 | 0603874 |
| CW | 2 | 2W x 2H | 24 1/8 x 19 1/2 | 1344547 | 1445341 | 0603854 |
| | 25 | 2W x 2H | 24 1/8 x 23 3/4 | 1344567 | 1445367 | 0603880 |
| | 3 | 2W x 3H | 24 1/8 x 31 5/16 | 1344548 | 1445343 | 0603856 |
| | 35 | 2W x 3H | 24 1/8 x 36 3/16 | 1344549 | 1445342 | 0603855 |
| | 4 | 2W x 4H | 24 1/8 x 43 3/8 | 1344550 | 1445345 | 0603858 |
| | 45 | 2W x 4H | 24 1/8 x 48 3/16 | 1344551 | 1445344 | 0603857 |
| | 5 | 2W x 5H | 24 1/8 x 55 1/4 | 1344552 | 1445347 | 0603860 |
| | 55 | 2W x 5H | 24 1/8 x 60 3/16 | 1344553 | 1445346 | 0603859 |
| CXW | 3 | 3W x 3H | 31 11/16 x 31 5/16 | 1344555 | 1445349 | 0603862 |
| | 35 | 3W x 3H | 31 11/16 x 36 3/16 | 1344556 | 1445350 | 0603863 |
| | 4 | 3W x 4H | 31 11/16 x 43 3/8 | 1344557 | 1445351 | 0603864 |
| | 45 | 3W x 4H | 31 11/16 x 48 3/16 | 1344558 | 1445352 | 0603865 |
| | 5 | 3W x 5H | 31 11/16 x 55 1/4 | 1344559 | 1445353 | 0603866 |
| | 55 | 3W x 5H | 31 11/16 x 60 3/16 | 1344560 | 1445354 | 0603867 |
| | 6 | 3W x 6H | 31 11/16 x 67 1/4 | 1344561 | 1445355 | 0603868 |

Perma-Shield® Enhanced Casement Windows (1995 to 1998)

Standard and Picture Windows

Grilles

| Interior Grille - Standard Window / Colonial / 3/4" Wood / Prefinished Interior | | | | | | |
|---|--------------|--------------------|------------------|------------|----------|---------|
| Unit No. | Lite Pattern | Dimensions (w x h) | Exterior | | | |
| | | | White | Terratone® | Sandtone | |
| | | | Interior | | | |
| | | | White | Terratone® | Sandtone | |
| CR | 2 | 2W x 2H | 12 3/4 x 19 1/2 | 1353117 | 1443617 | 0604046 |
| | 25 | 2W x 2H | 12 3/4 x 23 3/4 | 1344423 | 1445149 | 0603569 |
| | 3 | 2W x 3H | 12 3/4 x 31 5/16 | 1353118 | 1443618 | 0604047 |
| | 35 | 2W x 3H | 12 3/4 x 36 3/16 | 1353119 | 1443619 | 0604048 |
| | 4 | 2W x 4H | 12 3/4 x 43 3/8 | 1353120 | 1443620 | 0604049 |
| | 45 | 2W x 4H | 12 3/4 x 48 3/16 | 1353121 | 1443621 | 0604050 |
| | 5 | 2W x 5H | 12 3/4 x 55 1/4 | 1353122 | 1443622 | 0604051 |
| | 55 | 2W x 5H | 12 3/4 x 60 3/16 | 1353123 | 1443623 | 0604052 |
| | 6 | 2W x 6H | 12 3/4 x 67 1/4 | 1353124 | 1443624 | 0604053 |
| CN | 2 | 2W x 2H | 16 1/4 x 19 1/2 | 1353109 | 1443609 | 0604038 |
| | 25 | 2W x 2H | 16 1/4 x 23 3/4 | 1344424 | 1445150 | 0603570 |
| | 3 | 2W x 3H | 16 1/4 x 31 5/16 | 1353110 | 1443610 | 0604039 |
| | 35 | 2W x 3H | 16 1/4 x 36 3/16 | 1353111 | 1443611 | 0604040 |
| | 4 | 2W x 4H | 16 1/4 x 43 3/8 | 1353112 | 1443612 | 0604041 |
| | 45 | 2W x 4H | 16 1/4 x 48 3/16 | 1353113 | 1443613 | 0604042 |
| | 5 | 2W x 5H | 16 1/4 x 55 1/4 | 1353114 | 1443614 | 0604043 |
| | 55 | 2W x 5H | 16 1/4 x 60 3/16 | 1353115 | 1443615 | 0604044 |
| | 6 | 2W x 6H | 16 1/4 x 67 1/4 | 1353116 | 1443616 | 0604045 |
| C | 2 | 2W x 2H | 19 7/8 x 19 1/2 | 1353101 | 1443601 | 0604030 |
| | 25 | 2W x 2H | 19 7/8 x 23 3/4 | 1344425 | 1445151 | 0603571 |
| | 3 | 2W x 3H | 19 7/8 x 31 5/16 | 1353102 | 1443602 | 0604031 |
| | 35 | 2W x 3H | 19 7/8 x 36 3/16 | 1353103 | 1443603 | 0604032 |
| | 4 | 2W x 4H | 19 7/8 x 43 3/8 | 1353104 | 1443604 | 0604033 |
| | 45 | 2W x 4H | 19 7/8 x 48 3/16 | 1353105 | 1443605 | 0604034 |
| | 5 | 2W x 5H | 19 7/8 x 55 1/4 | 1353106 | 1443606 | 0604035 |
| | 55 | 2W x 5H | 19 7/8 x 60 3/16 | 1353107 | 1443607 | 0604036 |
| | 6 | 2W x 6H | 19 7/8 x 67 1/4 | 1353108 | 1443608 | 0604037 |

Grilles

| Interior Grille - Standard Window / Colonial / 3/4" Wood / Prefinished Interior | | | | | | |
|---|--------------|--------------------|--------------------|------------|----------------|----------------|
| Unit No. | Lite Pattern | Dimensions (w x h) | Exterior | | | |
| | | | White | Terratone® | Sandtone | |
| | | | Interior | | | |
| | | | White | Terratone® | Sandtone | |
| CW | 2 | 2W x 2H | 24 1/8 x 19 1/2 | 1353125 | 1443625 | 0604054 |
| | 25 | 2W x 2H | 24 1/8 x 23 3/4 | 1344426 | 1445152 | 0603572 |
| | 3 | 2W x 3H | 24 1/8 x 31 5/16 | 1353126 | 1443626 | 0604055 |
| | 35 | 2W x 3H | 24 1/8 x 36 3/16 | 1353127 | 1443627 | 0604056 |
| | 4 | 2W x 4H | 24 1/8 x 43 3/8 | 1353128 | 1443628 | 0604057 |
| | 45 | 2W x 4H | 24 1/8 x 48 3/16 | 1353129 | 1443629 | 0604058 |
| | 5 | 2W x 5H | 24 1/8 x 55 1/4 | 1353130 | 1443630 | 0604059 |
| | 55 | 2W x 5H | 24 1/8 x 60 3/16 | 1353131 | 1443631 | 0604060 |
| CX | 6 | 2W x 6H | 24 1/8 x 67 1/4 | 1353132 | 1443632 | 0604061 |
| | 25 | 2W x 2H | 27 1/4 x 23 3/4 | 1344946 | By description | By description |
| | 3 | 2W x 3H | 27 1/4 x 31 5/16 | 1344947 | By description | By description |
| | 35 | 2W x 3H | 27 1/4 x 36 3/16 | 1344948 | By description | By description |
| | 4 | 2W x 4H | 27 1/4 x 43 3/8 | 1344949 | By description | By description |
| | 45 | 2W x 4H | 27 1/4 x 48 3/16 | 1344950 | By description | By description |
| | 5 | 2W x 5H | 27 1/4 x 55 1/4 | 1344951 | By description | By description |
| | 55 | 2W x 5H | 27 1/4 x 60 3/16 | 1344952 | By description | By description |
| CXW | 6 | 2W x 6H | 27 1/4 x 67 1/4 | 1344953 | By description | By description |
| | 3 | 2W x 3H | 31 11/16 x 31 5/16 | 1344427 | 1445153 | 0603573 |
| | 35 | 2W x 3H | 31 11/16 x 36 3/16 | 1344428 | 1445154 | 0603574 |
| | 4 | 2W x 4H | 31 11/16 x 43 3/8 | 1344429 | 1445155 | 0603575 |
| | 45 | 2W x 4H | 31 11/16 x 48 3/16 | 1344430 | 1445156 | 0603576 |
| | 5 | 2W x 5H | 31 11/16 x 55 1/4 | 1344431 | 1445157 | 0603577 |
| | 55 | 2W x 5H | 31 11/16 x 60 3/16 | 1344432 | 1445158 | 0603578 |
| 6 | 2W x 6H | 31 11/16 x 67 1/4 | 1344433 | 1445159 | 0603579 | |

Perma-Shield® Enhanced Casement Windows (1995 to 1998)

Standard and Picture Windows

Grilles

Interior Grilles - Picture Windows / Colonial

Note:

See [Accessory Guide 0005285](#). See [Grille Application Video](#). Grilles include fasteners.

Interior Grille - Picture Window / Colonial / 3/4" Wood / Natural Wood Interior

| Unit No. | Dimensions (w x h) | Exterior | | |
|----------|--------------------|----------------|------------|----------|
| | | White | Terratone® | Sandtone |
| | | Maple Interior | | |
| P3030 | 31 1/4 x 31 1/4 | 1344568 | 1445368 | 0603735 |
| P3035 | 31 1/4 x 36 1/8 | 1344569 | 1445369 | 0603736 |
| P3040 | 31 1/4 x 43 5/16 | 1344570 | 1445370 | 0603737 |
| P3045 | 31 1/4 x 48 1/8 | 1344571 | 1445371 | 0603738 |
| P3050 | 31 1/4 x 55 3/16 | 1344572 | 1445372 | 0603739 |
| P3055 | 31 1/4 x 60 1/8 | 1344573 | 1445373 | 0603740 |
| P3060 | 31 1/4 x 67 3/16 | 1344574 | 1445374 | 0603741 |
| P3530 | 36 1/8 x 31 1/4 | 1344569 | 1445369 | 0603736 |
| P3535 | 36 1/8 x 36 1/8 | 1344575 | 1445375 | 0603742 |
| P3540 | 36 1/8 x 43 5/16 | 1344576 | 1445376 | 0603743 |
| P3545 | 36 1/8 x 48 1/8 | 1344577 | 1445377 | 0603744 |
| P3550 | 36 1/8 x 55 3/16 | 1344578 | 1445378 | 0603745 |
| P3555 | 36 1/8 x 60 1/8 | 1344579 | 1445379 | 0603746 |
| P3560 | 36 1/8 x 67 3/16 | 1344580 | 1445380 | 0603747 |
| P4030 | 43 5/16 x 31 1/4 | 1344570 | 1445370 | 0603737 |
| P4035 | 43 5/16 x 36 1/8 | 1344576 | 1445376 | 0603743 |
| P4040 | 43 5/16 x 43 5/16 | 1344581 | 1445381 | 0603748 |
| P4045 | 43 5/16 x 48 1/8 | 1344582 | 1445382 | 0603749 |
| P4050 | 43 5/16 x 55 3/16 | 1344583 | 1445383 | 0603750 |
| P4055 | 43 5/16 x 60 1/8 | 1344584 | 1445384 | 0603751 |
| P4060 | 43 5/16 x 67 3/16 | 1344585 | 1445385 | 0603752 |
| P4530 | 48 1/8 x 31 1/4 | 1344571 | 1445371 | 0603738 |
| P4535 | 48 1/8 x 36 1/8 | 1344577 | 1445377 | 0603744 |
| P4540 | 48 1/8 x 43 5/16 | 1344582 | 1445382 | 0603749 |
| P4545 | 48 1/8 x 48 1/8 | 1344586 | 1445386 | 0603753 |
| P4550 | 48 1/8 x 55 3/16 | 1344587 | 1445387 | 0603754 |
| P4555 | 48 1/8 x 60 1/8 | 1344588 | 1445388 | 0603755 |
| P4560 | 48 1/8 x 67 3/16 | 1344589 | 1445389 | 0603756 |
| P5030 | 55 3/16 x 31 1/4 | 1344572 | 1445372 | 0603739 |
| P5035 | 55 3/16 x 36 1/8 | 1344578 | 1445378 | 0603745 |

Grilles

| Interior Grille - Picture Window / Colonial / 3/4" Wood / Natural Wood Interior | | | | |
|---|---|----------------|------------|----------|
| Unit No. | Dimensions (w x h) | Exterior | | |
| | | White | Terratone® | Sandtone |
| | | Maple Interior | | |
| P5040 | 55 ³ / ₁₆ × 43 ⁵ / ₁₆ | 1344583 | 1445383 | 0603750 |
| P5045 | 55 ³ / ₁₆ × 48 ¹ / ₈ | 1344587 | 1445387 | 0603754 |
| P5050 | 55 ³ / ₁₆ × 55 ³ / ₁₆ | 1344590 | 1445390 | 0603757 |
| P5055 | 55 ³ / ₁₆ × 60 ¹ / ₈ | 1344591 | 1445391 | 0603758 |
| P5060 | 55 ³ / ₁₆ × 67 ³ / ₁₆ | 1344592 | 1445392 | 0603759 |
| P5530 | 60 ¹ / ₈ × 31 ¹ / ₄ | 1344573 | 1445373 | 0603740 |
| P5535 | 60 ¹ / ₈ × 36 ¹ / ₈ | 1344579 | 1445379 | 0603746 |
| P5540 | 60 ¹ / ₈ × 43 ⁵ / ₁₆ | 1344584 | 1445384 | 0603751 |
| P5545 | 60 ¹ / ₈ × 48 ¹ / ₈ | 1344588 | 1445388 | 0603755 |
| P5550 | 60 ¹ / ₈ × 55 ³ / ₁₆ | 1344591 | 1445391 | 0603758 |
| P6030 | 67 ³ / ₁₆ × 31 ¹ / ₄ | 1344574 | 1445374 | 0603741 |
| P6035 | 67 ³ / ₁₆ × 36 ¹ / ₈ | 1344580 | 1445380 | 0603747 |
| P6040 | 67 ³ / ₁₆ × 43 ⁵ / ₁₆ | 1344585 | 1445385 | 0603752 |
| P6045 | 67 ³ / ₁₆ × 48 ¹ / ₈ | 1344589 | 1445389 | 0603756 |
| P6050 | 67 ³ / ₁₆ × 55 ³ / ₁₆ | 1344592 | 1445392 | 0603759 |

Perma-Shield® Enhanced Casement Windows (1995 to 1998)

Standard and Picture Windows

Grilles

| Interior Grille - Picture Window / Colonial / 3/4" Wood / Prefinished Interior | | | | |
|--|--------------------|----------|------------|----------|
| Unit No. | Dimensions (w x h) | Exterior | | |
| | | White | Terratone® | Sandtone |
| | | Interior | | |
| | | White | Terratone® | Sandtone |
| P3030 | 31 1/4 x 31 1/4 | 1344434 | 1445223 | 0603581 |
| P3035 | 31 1/4 x 36 1/8 | 1344435 | 1445224 | 0603582 |
| P3040 | 31 1/4 x 43 5/16 | 1344436 | 1445225 | 0603583 |
| P3045 | 31 1/4 x 48 1/8 | 1344437 | 1445226 | 0603584 |
| P3050 | 31 1/4 x 55 3/16 | 1344438 | 1445227 | 0603585 |
| P3055 | 31 1/4 x 60 1/8 | 1344439 | 1445228 | 0603586 |
| P3060 | 31 1/4 x 67 3/16 | 1344440 | 1445229 | 0603587 |
| P3530 | 36 1/8 x 31 1/4 | 1344435 | 1445224 | 0603582 |
| P3535 | 36 1/8 x 36 1/8 | 1344441 | 1445230 | 0603588 |
| P3540 | 36 1/8 x 43 5/16 | 1344442 | 1445231 | 0603589 |
| P3545 | 36 1/8 x 48 1/8 | 1344443 | 1445232 | 0603590 |
| P3550 | 36 1/8 x 55 3/16 | 1344444 | 1445233 | 0603591 |
| P3555 | 36 1/8 x 60 1/8 | 1344445 | 1445234 | 0603592 |
| P3560 | 36 1/8 x 67 3/16 | 1344446 | 1445235 | 0603593 |
| P4030 | 43 5/16 x 31 1/4 | 1344436 | 1445225 | 0603583 |
| P4035 | 43 5/16 x 36 1/8 | 1344442 | 1445231 | 0603589 |
| P4040 | 43 5/16 x 43 5/16 | 1344447 | 1445236 | 0603594 |
| P4045 | 43 5/16 x 48 1/8 | 1344448 | 1445237 | 0603595 |
| P4050 | 43 5/16 x 55 3/16 | 1344449 | 1445238 | 0603596 |
| P4055 | 43 5/16 x 60 1/8 | 1344450 | 1445239 | 0603597 |
| P4060 | 43 5/16 x 67 3/16 | 1344451 | 1445240 | 0603598 |
| P4530 | 48 1/8 x 31 1/4 | 1344437 | 1445226 | 0603584 |
| P4535 | 48 1/8 x 36 1/8 | 1344443 | 1445232 | 0603590 |
| P4540 | 48 1/8 x 43 5/16 | 1344448 | 1445237 | 0603595 |
| P4545 | 48 1/8 x 48 1/8 | 1344452 | 1445241 | 0603599 |
| P4550 | 48 1/8 x 55 3/16 | 1344453 | 1445242 | 0603601 |
| P4555 | 48 1/8 x 60 1/8 | 1344454 | 1445243 | 0603602 |
| P4560 | 48 1/8 x 67 3/16 | 1344455 | 1445244 | 0603603 |
| P5030 | 55 3/16 x 31 1/4 | 1344438 | 1445227 | 0603585 |
| P5035 | 55 3/16 x 36 1/8 | 1344444 | 1445233 | 0603591 |
| P5040 | 55 3/16 x 43 5/16 | 1344449 | 1445238 | 0603596 |
| P5045 | 55 3/16 x 48 1/8 | 1344453 | 1445242 | 0603601 |
| P5050 | 55 3/16 x 55 3/16 | 1344456 | 1445245 | 0603604 |
| P5055 | 55 3/16 x 60 1/8 | 1344457 | 1445246 | 0603605 |

Grilles

| Interior Grille - Picture Window / Colonial / 3/4" Wood / Prefinished Interior | | | | |
|--|---|----------|------------|----------|
| Unit No. | Dimensions (w x h) | Exterior | | |
| | | White | Terratone® | Sandtone |
| | | Interior | | |
| | | White | Terratone® | Sandtone |
| P5060 | 55 ³ / ₁₆ × 67 ³ / ₁₆ | 1344458 | 1445247 | 0603606 |
| P5530 | 60 ¹ / ₈ × 31 ¹ / ₄ | 1344439 | 1445228 | 0603586 |
| P5535 | 60 ¹ / ₈ × 36 ¹ / ₈ | 1344445 | 1445234 | 0603592 |
| P5540 | 60 ¹ / ₈ × 43 ⁵ / ₁₆ | 1344450 | 1445239 | 0603597 |
| P5545 | 60 ¹ / ₈ × 48 ¹ / ₈ | 1344454 | 1445243 | 0603602 |
| P5550 | 60 ¹ / ₈ × 55 ³ / ₁₆ | 1344457 | 1445246 | 0603605 |
| P6030 | 67 ³ / ₁₆ × 31 ¹ / ₄ | 1344440 | 1445229 | 0603587 |
| P6035 | 67 ³ / ₁₆ × 36 ¹ / ₈ | 1344446 | 1445235 | 0603593 |
| P6040 | 67 ³ / ₁₆ × 43 ⁵ / ₁₆ | 1344451 | 1445240 | 0603598 |
| P6045 | 67 ³ / ₁₆ × 48 ¹ / ₈ | 1344455 | 1445244 | 0603603 |
| P6050 | 67 ³ / ₁₆ × 55 ³ / ₁₆ | 1344458 | 1445247 | 0603606 |

| Interior Grille - Picture Window / Colonial / 7/8" Wood |
|---|
| Note: 7/8" wide profile grilles are available by special order. |

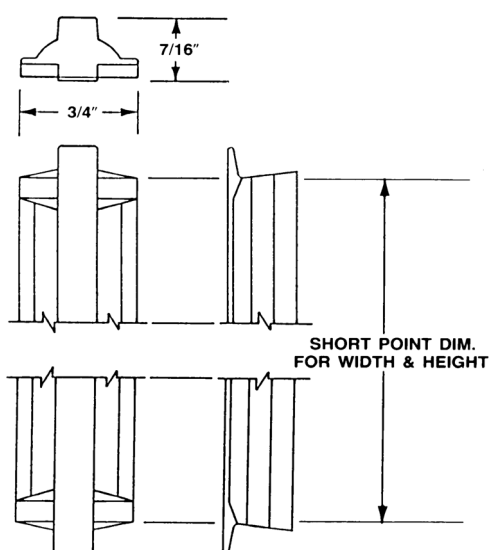
| Interior Grille - Picture Window / Colonial / 1 1/8" Wood |
|---|
| Note: 1 1/8" wide profile grilles are available by special order. |

Perma-Shield® Enhanced Casement Windows (1995 to 1998)




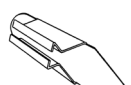

Standard and Picture Windows

Grilles

Interior Grilles - Standard Window / Colonial / 3/4" Polycarbonate & Tycote

|  <p>Offered 1986 to January 1, 2009</p> | Unit No. | Dimensions (w x h) | Unit No. | Dimensions (w x h) |
|--|---|---|---|--|
| | CR2 | 12 ³⁷ / ₆₄ × 19 ¹¹ / ₃₂ | C3 | 19 ⁴⁵ / ₆₄ × 31 ⁵ / ₃₂ |
| CR3 | 12 ³⁷ / ₆₄ × 31 ⁵ / ₃₂ | C35 | 19 ⁴⁵ / ₆₄ × 35 ³¹ / ₃₂ | |
| CR35 | 12 ³⁷ / ₆₄ × 35 ³¹ / ₃₂ | C4 | 19 ⁴⁵ / ₆₄ × 43 ¹¹ / ₆₄ | |
| CR4 | 12 ³⁷ / ₆₄ × 43 ¹¹ / ₆₄ | C45 | 19 ⁴⁵ / ₆₄ × 48 | |
| CR45 | 12 ³⁷ / ₆₄ × 48 | C5 | 19 ⁴⁵ / ₆₄ × 55 ³ / ₆₄ | |
| CR5 | 12 ³⁷ / ₆₄ × 55 ³ / ₆₄ | C55 | 19 ⁴⁵ / ₆₄ × 60 | |
| CR55 | 12 ³⁷ / ₆₄ × 60 | C6 | 19 ⁴⁵ / ₆₄ × 67 ¹ / ₃₂ | |
| CR6 | 12 ³⁷ / ₆₄ × 67 ¹ / ₃₂ | CW2 | 23 ⁶¹ / ₆₄ × 19 ¹¹ / ₃₂ | |
| CN2 | 16 ⁵ / ₆₄ × 19 ¹¹ / ₃₂ | CW3 | 23 ⁶¹ / ₆₄ × 31 ⁵ / ₃₂ | |
| CN3 | 16 ⁵ / ₆₄ × 31 ⁵ / ₃₂ | CW35 | 23 ⁶¹ / ₆₄ × 35 ³¹ / ₃₂ | |
| CN35 | 16 ⁵ / ₆₄ × 35 ³¹ / ₃₂ | CW4 | 23 ⁶¹ / ₆₄ × 43 ¹¹ / ₆₄ | |
| CN4 | 16 ⁵ / ₆₄ × 43 ¹¹ / ₆₄ | CW45 | 23 ⁶¹ / ₆₄ × 48 | |
| CN45 | 16 ⁵ / ₆₄ × 43 | CW5 | 23 ⁶¹ / ₆₄ × 55 ³ / ₆₄ | |
| CN5 | 16 ⁵ / ₆₄ × 55 ³ / ₆₄ | CW55 | 23 ⁶¹ / ₆₄ × 60 | |
| CN55 | 16 ⁵ / ₆₄ × 60 | CW6 | 23 ⁶¹ / ₆₄ × 67 ¹ / ₃₂ | |
| CN6 | 16 ⁵ / ₆₄ × 67 ¹ / ₃₂ | CP303 | 31 ¹ / ₂ × 31 ⁵ / ₃₂ | |
| C2 | 19 ⁴⁵ / ₆₄ × 19 ¹¹ / ₃₂ | CP3535 | 36 ²¹ / ₆₄ × 35 ³¹ / ₃₂ | |

Interior Grille Parts

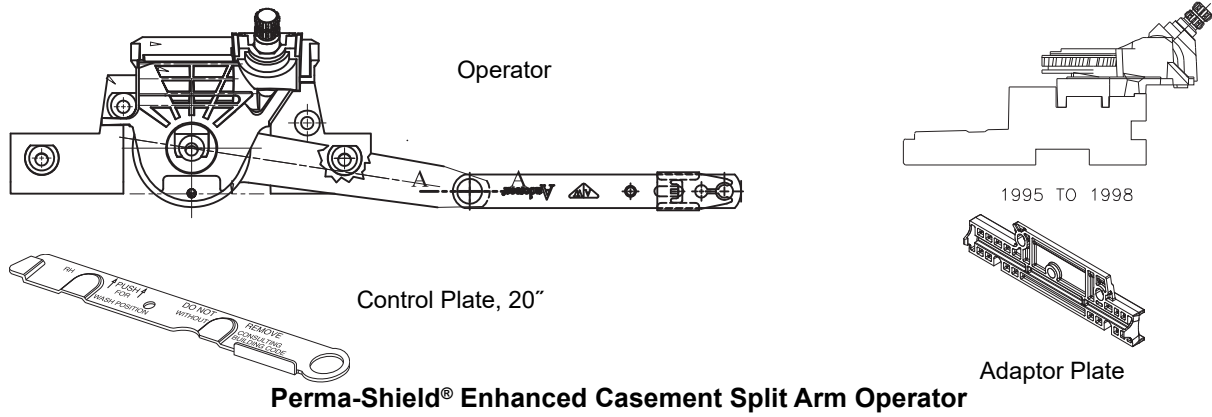
| Interior Grille Fastener - Wood / Standard and Non-Standard | | | |
|---|---|-------------------|---------|
|  | Note: For standard pattern and non-standard pattern "P" units. Also used on products with a wood stop next to glass. | Order No. | |
| | | 1974314 | |
| Interior Grille Fastener - Wood / Non-Standard | | | |
|  | Note: For non-standard pattern grilles for venting and "CP" stationary units. Also used on products with a vinyl lip next to glass. | Order No. | |
| | | 1974312 | |
| Interior Grille Fastener - Wood / Plunger | | | |
|  | Note: For standard pattern grilles for venting and stationary units, excluding CP and P units. | Order No. | |
| | | 1344401 | |
| Fastener - Grille (1985 to 1995) | | | |
|  | | Color | |
| | | White | 1974310 |
| | | Terratone® | 2601210 |
| | Sandtone | 8154120 | |
| Grille Installation Tool | | | |
|  | | Order No. | |
| | | 9019326 | |

Hardware

Split Arm Operator

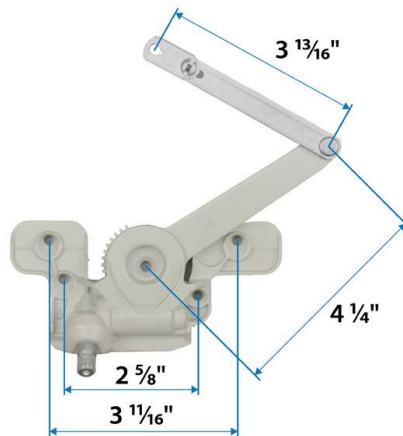
Note:

Operator cover must be ordered separately. [See "Operator Covers" on page 41.](#) The existing operator is held in place with three screws. To replace the operator for these 1995 to 1998 units, use adaptor plate and the 1999 to present split arm operators.



Perma-Shield® Enhanced Casement Split Arm Operator

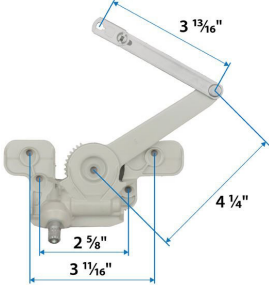


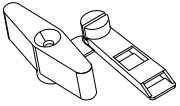
Split Arm Operator Picture



Perma-Shield® Enhanced Casement Windows (1995 to 1998)

Standard and Picture Windows

Hardware

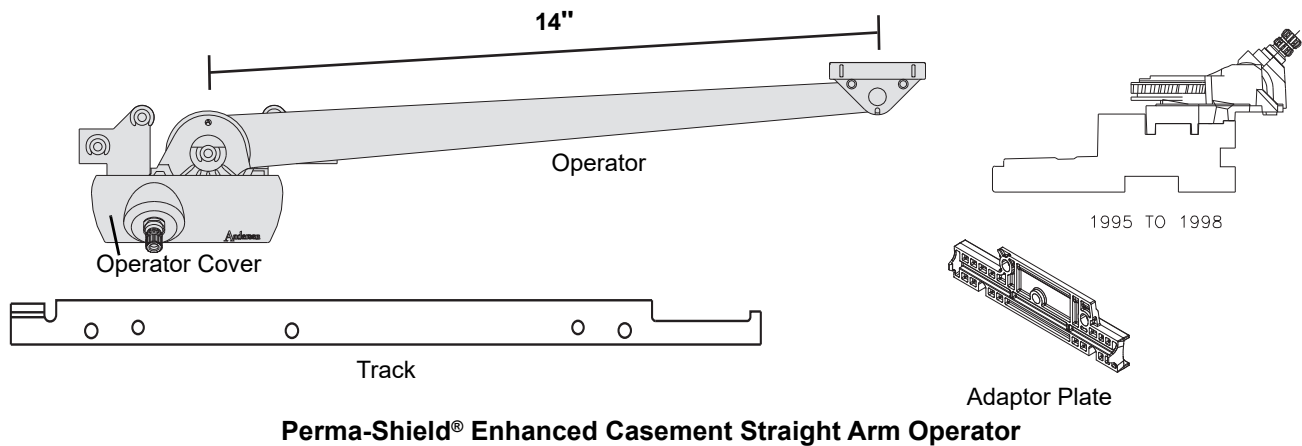
| Split Arm Operator with Screws | | | | |
|---|---|-----------------|----------------------------|------------------|
|  | Note: When ordering replacement operator, the adaptor plate must be ordered as well for proper placement. | Standard | Corrosion Resistant | |
| | | 1361484 | 1361481 | |
| Adaptor Plate | | | | |
|  | | | | Order No. |
| | | | | 9050723 |
| Split Arm Sash Bracket with Screws | | | | |
|  | Standard | | Corrosion Resistant | |
| | Left | Right | Left | Right |
| | 1361409 | 1361408 | 1361411 | 1361410 |
| Egress Control Plate - 20" | | | | |
| Note: To replace, order hinge assembly. page 42 | | | | |
| Temporary Handle - Operator and Lock | | | | |
|  | | | | Order No. |
| | | | | 1361394 |

Hardware

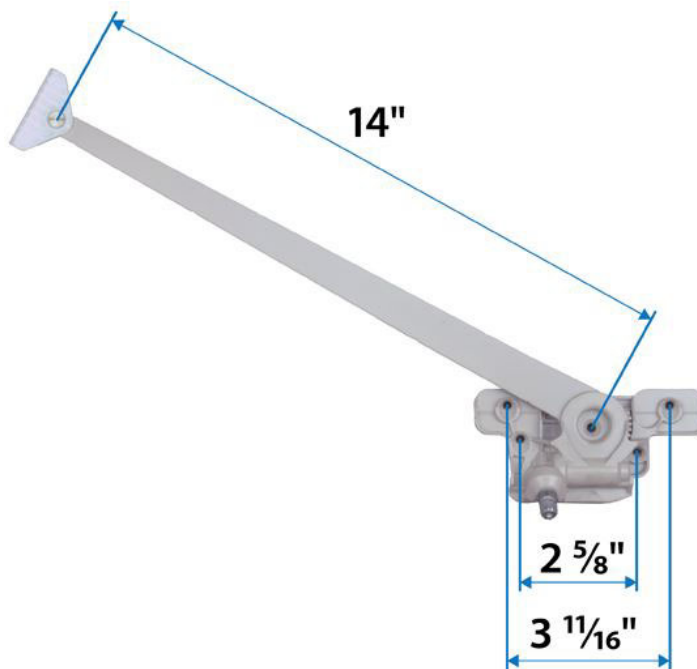
Straight Arm Operator

Note:

When ordering a replacement operator, the adaptor plate must be ordered as well for proper alignment. The existing operator is held in place with three screws and is no longer available and replaced with the 1999 to present Improved/EZ 14" straight arm operator listed below. An adaptor plate (shown further below) is also required. Operator cover must be ordered separately. [See "Operator Covers" on page 41.](#)



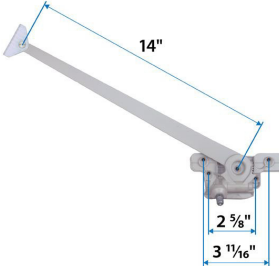
Straight Arm Operator Picture





Perma-Shield® Enhanced Casement Windows (1995 to 1998)




Standard and Picture Windows

Hardware

| Straight Arm Operator with Screws | | | | | |
|---|---|----------|---------|---------------------|---------|
|  | Note: When ordering replacement operator, the adaptor plate must be ordered as well for proper placement. | Standard | | Corrosion Resistant | |
| | | Left | Right | Left | Right |
| | | 1361483 | 1361482 | 9142379 | 9142378 |

| Adaptor Plate | | |
|---|--|-----------|
|  | | Order No. |
| | | 9050723 |

| Straight Arm Track with Screws / Universal / 12" & 14" Straight Arm Operator (October 2011-Present) | | | |
|---|--|----------|---------------------|
|  | | Standard | Corrosion Resistant |
| | | 9052562 | 9052563 |

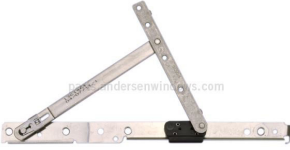
| Operator Covers | | | |
|---|--|--------------|-----------|
| Note: Uses current style Awning operator cover. | | | |
| Operator Cover - Classic Style | | | |
|  | | Color | Order No. |
| | | Stone | 1361359 |
| | | White | 1361357 |
| Operator Cover - Metro Style | | | |
|  | | Color | Order No. |
| | | Stone | N/A |
| | | White | 1361363 |
| Operator Cover - Estate Style | | | |
|  | | Finish | Order No. |
| | | Bright Brass | 1361387 |
| | | Chrome | 1361391 |

| Operator Spline Cover with Screws | | | |
|-----------------------------------|--|-------|---------|
| | Note: Spline cover must not be used in egress situation. | Color | White |
| | | Stone | 1351322 |
| | | White | 1351336 |


Hardware

Hinges


Split Arm Hinge with Screws - Standard / Sill (1998 to Present)

| | | | | | |
|---|--|-----------------|--------------|----------------------------|--------------|
|  | Note: For use with CR12 - CXW45. | Standard | | Corrosion Resistant | |
| | | Left | Right | Left | Right |
| | | 1361461 | 1361460 | 1361465 | 1361464 |


Split Arm Hinge with Screws - Standard / Head (1998 to Present)

| | | | | | |
|---|--|-----------------|--------------|----------------------------|--------------|
|  | Note: For use with CR12 - CXW45. | Standard | | Corrosion Resistant | |
| | | Left | Right | Left | Right |
| | | 1361463 | 1361462 | 1361467 | 1361466 |

Split Arm Hinge with Screws - 20" Opening / Sill (1998 to Present)

| | | | | | |
|---|---|-----------------|--------------|----------------------------|--------------|
|  | Note: For use on CW width units.. | Standard | | Corrosion Resistant | |
| | | Left | Right | Left | Right |
| | | 1361469 | 1361468 | 1361471 | 1361470 |

Split Arm Hinge with Screws - 20" Opening / Head (1998 to Present)

| | | | | | |
|---|---|-----------------|--------------|----------------------------|--------------|
|  | Note: For use with CR12 - CXW45. 20" opening head hinges are the same as standard split arm head hinges. | Standard | | Corrosion Resistant | |
| | | Left | Right | Left | Right |
| | | 1361463 | 1361462 | 1361467 | 1361466 |

Perma-Shield® Enhanced Casement Windows (1995 to 1998)

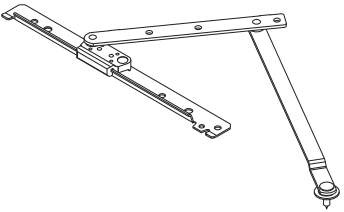
Standard and Picture Windows

Hardware

Split Arm Hinge with Screws - Standard / Heavy Duty / Sill (1994 to 1998)

Note:

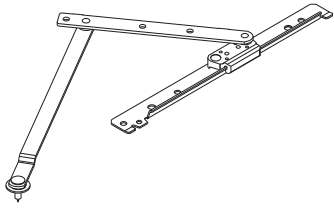
For use with CR-C/CW2-3, C5-6, CXW3-45. Corrosion resistant hinges can be used to replace standard duty and/or heavy duty hinges. If corrosion resistant N/A, replace with current 20" split arm hinges, shown on [page 42](#) replacing both head and sill

| | | | | |
|---|-----------------|--------------|----------------------------|--------------|
|  | Standard | | Corrosion Resistant | |
| | Left | Right | Left | Right |
| | N/A | N/A | N/A | N/A |

Split Arm Hinge with Screws - Standard / Heavy Duty / Head (1994 to 1998)

Note:

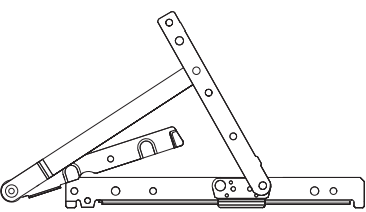
For use with CR-C/CW2-3, C5-6, CXW3-45. Corrosion resistant hinges can be used to replace standard duty and/or heavy duty hinges. If corrosion resistant N/A, replace with current 20" split arm hinges, shown on [page 42](#) replacing both head and sill

| | | | | |
|--|-----------------|--------------|----------------------------|--------------|
|  | Standard | | Corrosion Resistant | |
| | Left | Right | Left | Right |
| | N/A | N/A | N/A | N/A |

Split Arm Hinge with Screws - 20" Opening / Sill (1994 to 1998)

Note:

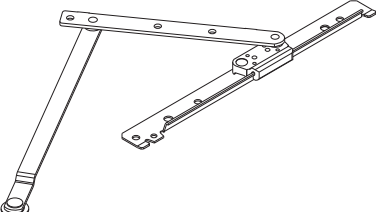
For use with CW35-6. Use corrosion resistant to replace standard split arm hinge. If corrosion resistant N/A, replace with current 20" split arm hinges, shown on [page 42](#) replacing both head and sill

| | | | | |
|---|-----------------|--------------|----------------------------|--------------|
|  | Standard | | Corrosion Resistant | |
| | Left | Right | Left | Right |
| | N/A | N/A | N/A | N/A |


Split Arm Hinge with Screws - 20" Opening / Head (1994 to 1998)


Note:

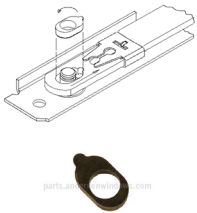

For use with CW35-6 and CW6. Use corrosion resistant hinge to replace right hand standard hinge. If corrosion resistant N/A, replace with current 20" split arm hinges, shown on [page 42](#) replacing both head and sill.

| | | | | |
|---|-----------------|--------------|----------------------------|--------------|
|  | Standard | | Corrosion Resistant | |
| | Left | Right | Left | Right |
| | N/A | N/A | N/A | N/A |

Hardware

| Straight Arm Hinge with Screws - 22" Opening / Sill (1994 to 1998) | | | | | |
|---|--|----------|---------|---------------------|---------|
|  | | Standard | | Corrosion Resistant | |
| | | Left | Right | Left | Right |
| | | 1361349 | 1361348 | 1361353 | 1361352 |

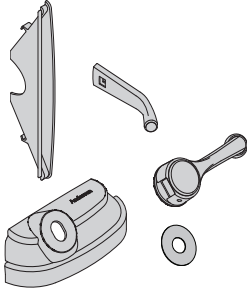
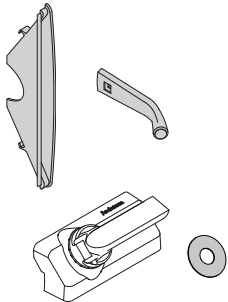
| Straight Arm Hinge with Screws - 22" Opening / Head (1994 to 1998) | | | | | |
|---|--|----------|---------|---------------------|---------|
|  | | Standard | | Corrosion Resistant | |
| | | Left | Right | Left | Right |
| | | 1361351 | 1361350 | 1361355 | 1361354 |

| Hinge Hardware | | | | | |
|---|--|--|-------------------|---------------------|-----------|
| Hinge Insert - Plastic (1998 to Present) | | | | | |
| Note: See Hinge Insert Adjustment Video . | | | | | |
|  | | | | | Order No. |
| | | | | | 1352711 |
| Hinge Arm Retaining Clip (1998 to Present) | | | | | |
|  | | | Standard | Corrosion Resistant | |
| | | | 1352712 | 1352715 | |
| Hinge Screw (1998 to Present) | | | | | |
| | | | Description | | Order No. |
| | | | #8 x 5/8 pan head | | 2578297 |




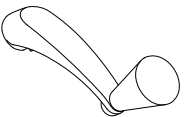


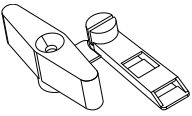

Perma-Shield® Enhanced Casement Windows (1995 to 1998)

Standard and Picture Windows

Hardware

| Hardware Packs - Folding | | | |
|--|---|--------------|------------------|
| Hardware Pack - Folding / Traditional | | | |
|  | <p>Note: This style was not offered from 1995-1998. If upgrading to this style, the cover and lock bezel in this kit does not fit the profile of your 95-98 Enhanced Casement stops; you must also order a lock bezel, page 48, and a Metro style operator cover, page 41 if those parts are not currently installed on window.</p> <p>Pack Includes: Lock bezel, lock handle, handle and cover</p> | Color | Order No. |
| | | Stone | 1361562 |
| | | White | 1361560 |
| Hardware Pack - Folding / Contemporary | | | |
|  | <p>Note: This style was not offered from 1995-1998. If upgrading to this style, the cover and lock bezel in this kit does not fit the profile of your 95-98 Enhanced Casement stops; you must also order a lock bezel, page 48, and a Metro style operator cover, page 41 if those parts are not currently installed on window.</p> <p>Pack Includes: Lock bezel, lock handle, handle and cover</p> | Color | Order No. |
| | | Stone | 1361563 |
| | | White | 1361561 |

Hardware

| Handles | | | |
|---|---|--------------|-----------|
| Handle - Classic Style | | | |
|  | | Color | Order No. |
| | | Stone | 1361358 |
| | | White | 1361356 |
| Handle - Metro Style | | | |
|  | Note: Set screw ships with handle. Handle folds similar to traditional and contemporary folding handles. If N/A, consider upgrading to current folding handle hardware pack (replacing all pack components). | Color | Order No. |
| | | Stone | N/A |
| | | White | N/A |
| Handle - Estate Style | | | |
|  | | Finish | Order No. |
| | | Bright Brass | 1361386 |
| | | Chrome | 1361390 |
| Handle - Easy Grip | | | |
|  | | Color | Order No. |
| | | Stone | 1361378 |
| | | White | 1361377 |
| Handle - T | | | |
|  | Note: See Accessory Guide 0005237 . T-Handle may not rest flush on operator stud. | Color | Order No. |
| | | Stone | 1361487 |
| | | White | 1361488 |
| Handle - Compact Operator | | | |
|  | | Color | Order No. |
| | | Stone | 1361804 |
| | | White | 1351334 |
| Temporary Handle - Operator and Lock | | | |
|  | | Order No. | |
| | | 1361394 | |
| Handle Parts | | | |
| Set Screw - Handle | | | |
|  | | Order No. | |
| | | 9066668 | |


Perma-Shield® Enhanced Casement Windows (1995 to 1998)

Standard and Picture Windows

Hardware

Locks and Lock Components

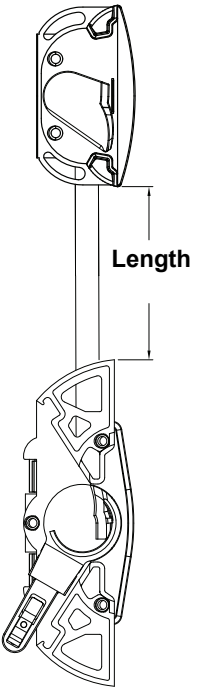
Lock with Screws - Concealed / Lower

| | | | |
|---|--|-------------|--------------|
|  | Note: Use the lower replacement lock for units with a single lock on unit sizes 2–35. Lock is black plastic. | Left | Right |
| | | 1361902 | 1361901 |


Lock with Screws - Concealed / Lower - Washer

| | Description | Order No. |
|--|--|-----------|
| | Washer in image shown above Lock with Screws - Concealed / Lower | 1345919 |


Lock with Screws - Concealed / Tandem


| | | | | |
|--|---|----------------------------------|-------------|--------------|
|  | Note: Short tandem used for unit sizes 4, 45. | Length | Left | Right |
| | | 20 ⁵¹ / ₆₄ | 1361904 | 1361903 |
| | Note: Long tandem used for unit sizes 5, 55, 6. | Length | Left | Right |
| | | 32 ¹⁷ / ₆₄ | 1361908 | 1361907 |


Hardware

| Lock Keeper - Concealed | | | |
|---|--|---------|---------|
|  | Note: Keepers are handed. For example, a C5 right hand unit uses a left hand upper keeper and a right hand lower keeper. | Left | Right |
| | | 1361926 | 1361925 |

| Screw - Keeper | | |
|----------------|-------------------------------------|-----------|
| | Description | Order No. |
| | 7/8 X 7 430 SST FL TRUSS HD TYPE 17 | N/A |

| Lock Bezel - Concealed / Classic Style | | | |
|---|--|-------|-----------|
|  | | Color | Order No. |
| | | Stone | 1361921 |
| | | White | 1361920 |

| Lock Handle - Concealed / Classic Style | | | |
|--|--|-------|-----------|
|  | | Color | Order No. |
| | | Stone | 1361916 |
| | | White | 1361915 |

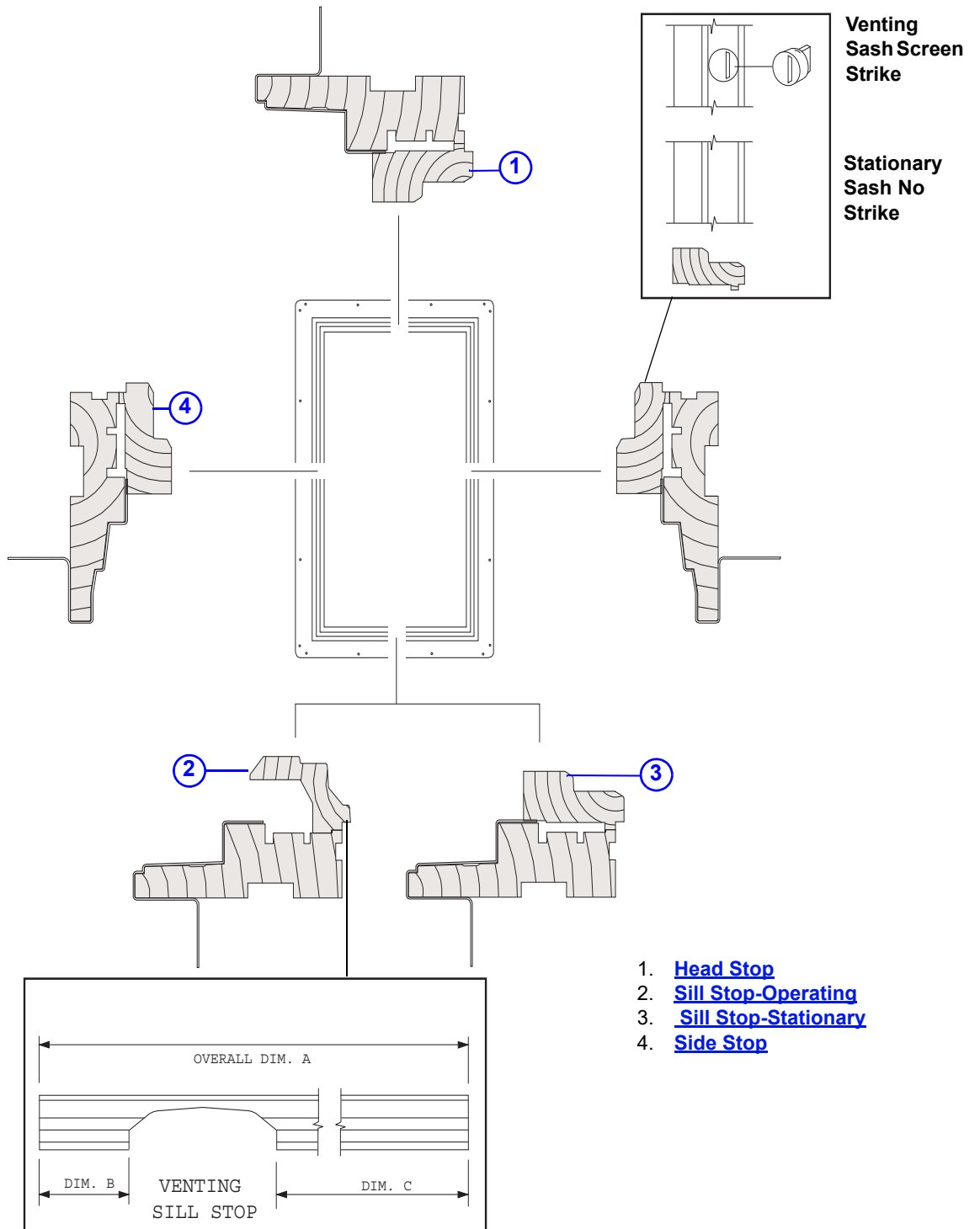
| Lock Handle - Concealed / Coronet Style | | | |
|---|--|--------------|-----------|
|  | | Finish | Order No. |
| | | Bright Brass | 1361917 |
| | | Chrome | 1361919 |

Perma-Shield® Enhanced Casement Windows (1995 to 1998)

Standard and Picture Windows

Frames

Frames - Standard Windows



Perma-Shield® Enhanced Casement Frame Assembly

Frames

Head and Sill Stops

Stop - Split Arm Venting / Sill (1995 to 1998) Ref. No. 2 [page 49](#)

| Unit No. | Dimensions | | | | | Order No. | |
|------------|----------------------------------|--------------------------------|---------------------------------|---------------------------------|----------------------------------|-----------|---------|
| | Overall Length | Short End | | Long End | | Left | Right |
| | | Left | Right | Left | Right | | |
| CR | 13 ⁵³ / ₆₄ | 3 ¹ / ₁₆ | 3 ¹¹ / ₁₆ | 7 ¹ / ₄ | 6 ⁵ / ₈ | 1352640 | 1352641 |
| CN | 17 ²¹ / ₆₄ | 6 ⁵ / ₈ | 6 ⁹ / ₁₆ | 7 ¹ / ₄ | 7 ¹ / ₄ | 1352643 | 1352642 |
| C | 20 ⁶¹ / ₆₄ | 7 ¹ / ₄ | 6 ⁵ / ₈ | 10 ³ / ₁₆ | 10 ¹³ / ₁₆ | 1352644 | 1352645 |
| CW | 25 ¹³ / ₆₄ | 7 ¹ / ₄ | 6 ⁵ / ₈ | 14 ⁷ / ₁₆ | 15 ¹ / ₁₆ | 1352646 | 1352647 |
| CXW | 32 ⁴⁹ / ₆₄ | 7 ¹ / ₄ | 6 ⁵ / ₈ | 22 | 22 ⁵ / ₈ | 1352648 | 1352649 |

Stop - Straight Arm Venting / Sill (1995 to 1998) Ref. No. 2 [page 49](#)

| Unit No. | Dimensions | | | | | Order No. | |
|------------|----------------------------------|---------------------------------|--------------------------------|---------------------------------|----------------------------------|-----------|---------|
| | Overall Length | Short End | | Long End | | Left | Right |
| | | Left | Right | Left | Right | | |
| C | 20 ⁶¹ / ₆₄ | 2 ¹⁵ / ₁₆ | 2 ⁵ / ₁₆ | 14 ¹ / ₂ | 15 ¹ / ₈ | 8014901 | 8014902 |
| CW | 25 ¹³ / ₆₄ | 6 ³ / ₁₆ | 5 ⁹ / ₁₆ | 15 ¹ / ₂ | 16 ¹ / ₈ | 1352651 | 1352650 |
| CXW | 32 ⁴⁹ / ₆₄ | 6 ³ / ₁₆ | 5 ⁹ / ₁₆ | 23 ¹ / ₁₆ | 23 ¹¹ / ₁₆ | 1352653 | 1352652 |

Stop - Stationary / Venting / Head Ref. No. 1 and 3 [page 49](#)

Note:

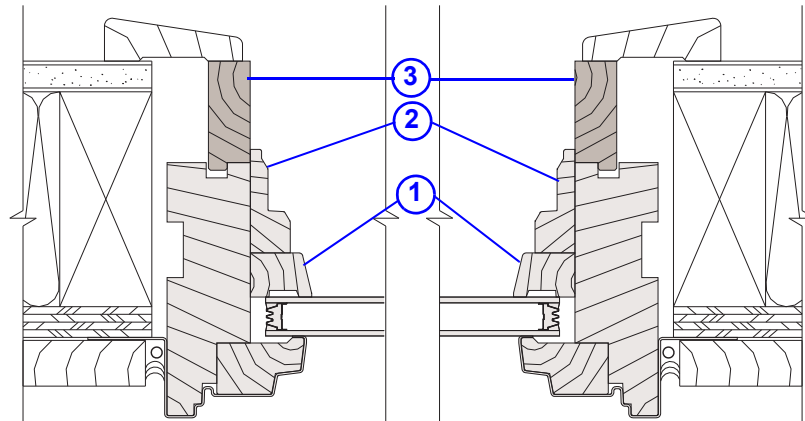
Use as sill stop on non-venting units.

| Unit No. | Overall Length | Order No. |
|--------------------|----------------------------------|-----------|
| CR | 13 ⁵³ / ₆₄ | 1352637 |
| CN | 17 ²¹ / ₆₄ | 1352633 |
| C | 20 ⁶¹ / ₆₄ | 1352632 |
| CW | 25 ¹³ / ₆₄ | 1352638 |
| CXW | 32 ⁴⁹ / ₆₄ | 1352639 |
| CW35 (CW1E) | 25 ¹³ / ₆₄ | 1352698 |

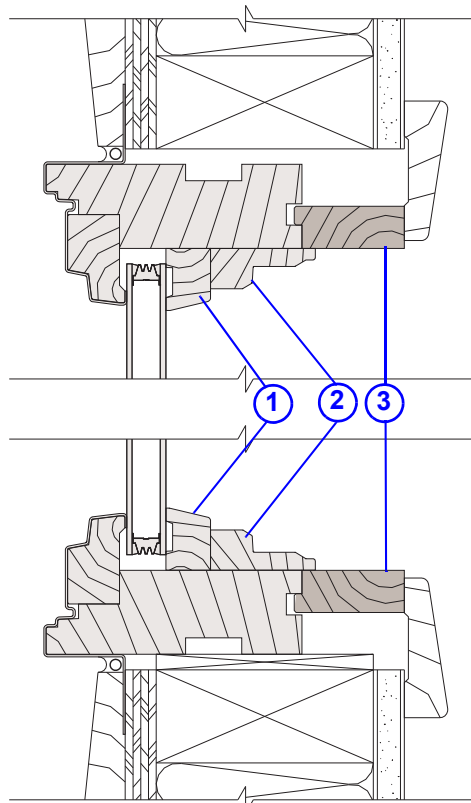
Stop - Side Ref. No. 4 [page 49](#)

| Unit No. | Hinge Side with Strike | | Lock Side with Strike | | Stationary |
|------------|------------------------|---------|-----------------------|---------|------------|
| | Left | Right | Left | Right | |
| C2 | 1352682 | 1352683 | 1352654 | 1352655 | 1352672 |
| C25 | 1352708 | 1352707 | 1352706 | 1352705 | 1352673 |
| C3 | 1352684 | 1352685 | 1352656 | 1352657 | 1352674 |
| C35 | 1352686 | 1352687 | 1352658 | 1352659 | 1352675 |
| C4 | 1352688 | 1352689 | 1352661 | 1352662 | 1352676 |
| C45 | 1352690 | 1352691 | 1352663 | 1352664 | 1352677 |
| C5 | 1352692 | 1352693 | 1352665 | 1352666 | 1352678 |
| C55 | 1352694 | 1352695 | 1352667 | 1352668 | 1352679 |
| C6 | 1352696 | 1352697 | 1352671 | 1352669 | 1352681 |

Frames - Picture Windows



Horizontal Section



Vertical Section

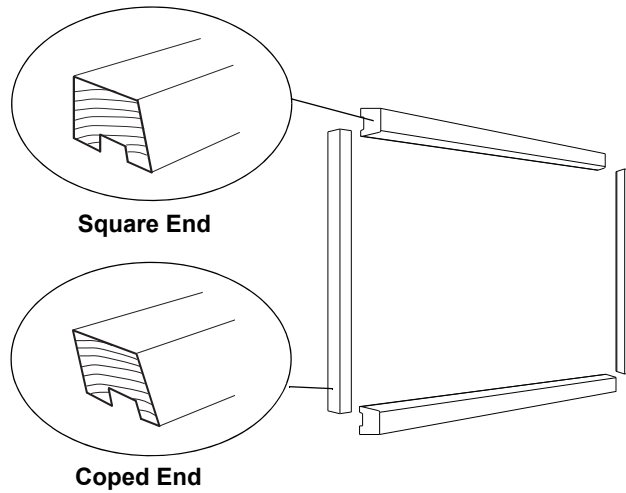
1. [Glass Stop](#)
2. [Trim Stop](#)
3. [Extension Jamb](#)

Perma-Shield® Enhanced Casement Picture Window Frame Assembly

Frames

Stops - Picture Windows

Glass Stop - Picture Window / Direct Set



Glass Stop - Picture Window / Direct Set

| Side / Coped End | | | Head and Sill / Square End | | |
|------------------|----------------------------------|--------------|----------------------------|----------------------------------|--------------|
| Unit No. | Length | Natural Wood | Unit No. | Length | Natural Wood |
| P30 | 31 ³¹ / ₆₄ | 1351663 | P30 | 33 ¹ / ₈ | 1351658 |
| P35 | 36 ²³ / ₆₄ | 1351664 | P35 | 37 ⁶³ / ₆₄ | 1351659 |
| P40 | 43 ³⁵ / ₆₄ | 1351665 | P40 | 45 ¹¹ / ₆₄ | 1351660 |
| P45 | 48 ²³ / ₆₄ | 1351666 | P45 | 49 ⁶³ / ₆₄ | 1351661 |
| P50 | 55 ²⁷ / ₆₄ | 1351667 | P50 | 57 ³ / ₆₄ | 1351662 |
| P55 | 60 ²³ / ₆₄ | 1351668 | | | |
| P60 | 67 ²⁷ / ₆₄ | 1351669 | | | |

Trim Stop - Picture Window / Direct Set

Note:

The 55 and 60 width picture units use a side stop as the head and sill stop replacement. For these same 55 and 60 width units a head and sill stop will be used as the side stop. To ensure correct replacement, measure stop length.

| Side / Coped End | | | Head and Sill / Square End | | |
|------------------|----------------------------------|-----------|----------------------------|----------------------------------|-----------|
| Unit No. | Length | Order No. | Unit No. | Length | Order No. |
| P30 | 32 ⁴⁵ / ₆₄ | 1351676 | P30 | 33 ¹ / ₈ | 1351671 |
| P35 | 37 ³⁷ / ₆₄ | 1351677 | P35 | 37 ⁶³ / ₆₄ | 1351672 |
| P40 | 44 ⁴⁹ / ₆₄ | 1351678 | P40 | 45 ¹¹ / ₆₄ | 1351673 |
| P45 | 49 ³⁷ / ₆₄ | 1351679 | P45 | 49 ⁶³ / ₆₄ | 1351674 |
| P50 | 56 ⁴¹ / ₆₄ | 1351681 | P50 | 57 ³ / ₆₄ | 1351675 |
| P55 | 61 ³⁷ / ₆₄ | 1351682 | | | |
| P60 | 68 ⁴¹ / ₆₄ | 1351683 | | | |

Perma-Shield® Enhanced Casement Windows (1995 to 1998)

Standard and Picture Windows

Frames

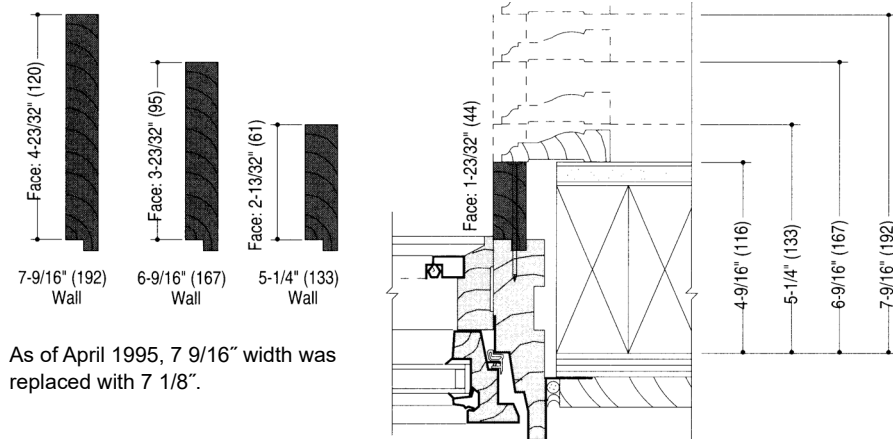
| Stop - Picture Window / Head and Sill / Sash | | | |
|--|----------|----------------------------------|-----------|
| | Unit No. | Length | Order No. |
| | CP2 | 44 ⁵³ / ₆₄ | 1352634 |
| | CP3 | 68 ⁴⁵ / ₆₄ | 1352635 |
| | CP30/CXW | 32 ⁴⁹ / ₆₄ | 1352639 |
| | CP35 | 37 ³⁷ / ₆₄ | 1352636 |
| | CP50 | 56 ⁴⁵ / ₆₄ | 1352631 |

| Stop - Standard and Picture Window / Side / Stationary / No Strike / Sash (Pair) | | | |
|--|-----------|----------------------------------|-----------|
| | Unit No. | Length | Order No. |
| | C2/CP2/A2 | 21 ³⁷ / ₆₄ | 1352672 |
| | C25/CP25 | 25 ⁵³ / ₆₄ | 1352673 |
| | C3/CP3 | 33 ²⁵ / ₆₄ | 1352674 |
| | C35/CP35 | 38 ¹⁷ / ₆₄ | 1352675 |
| | C4/CP4 | 45 ²⁹ / ₆₄ | 1352676 |
| | C45/CP45 | 50 ¹⁷ / ₆₄ | 1352677 |
| | C5/CP5 | 57 ²¹ / ₆₄ | 1352678 |
| | C55/CP55 | 62 ¹⁷ / ₆₄ | 1352679 |
| | C6/CP6 | 69 ²¹ / ₆₄ | 1352681 |

Extension Jamb

Note:

Replacement is new profile, same as what is found in Perma-Shield® Improved/EZ Casement section. Alignment issues may exist when using new extension jamba on old frames.



As of April 1995, 7 9/16" width was replaced with 7 1/8".

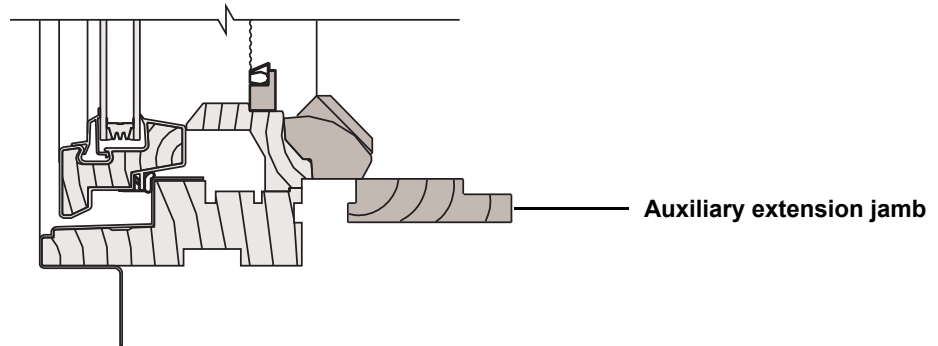
Perma-Shield® Casement Extension Jamba

Frames

Auxiliary Extension Jambs

Note:

Replacement is new profile, same as what is found in Perma-Shield® Improved/EZ Casement section. Alignment issues may exist when using new extension jambs on old frames.



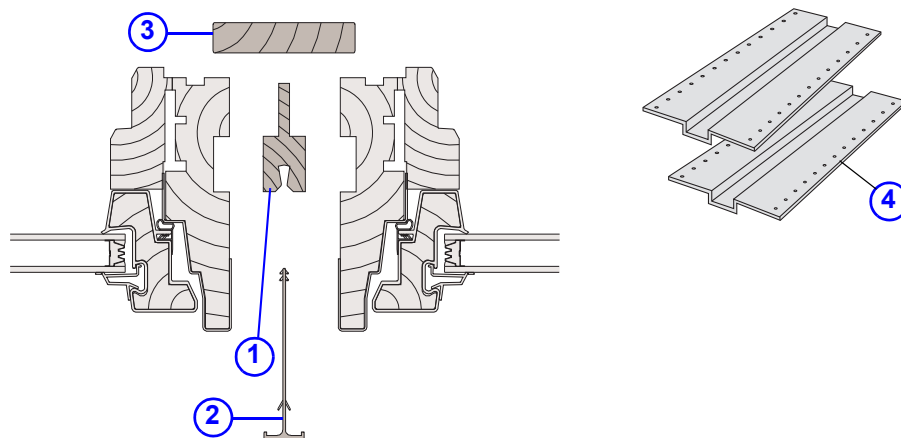
Perma-Shield® Enhanced Casement Auxiliary Extension Jambs

Perma-Shield® Enhanced Casement Windows (1995 to 1998)

Standard and Picture Windows

Joining Components

Narrow Mullion



1. [Joining Strip](#)
2. [Outside Vinyl Trim Strip](#)
3. [Inside Casing](#)
4. [Gusset Plates](#)
5. Head Flashing

Perma-Shield® Enhanced Casement Narrow Mullion

| Joining Strip - Narrow Mull (2 Piece) Ref. No 1 | | | |
|---|-----------|----------|-----------|
| Unit No. | Order No. | Unit No. | Order No. |
| C2 | 1506420 | C45 | 1347014 |
| C25 | 1506422 | C5 | 1347016 |
| C3 | 1347008 | C55 | 1347018 |
| C35 | 1347010 | C6 | 1506424 |
| C4 | 1347012 | | |

| Exterior Trim Strip - Narrow Mull Ref. No 2 | | | | |
|---|----------------------------------|---------|------------|----------|
| Unit No. | Length | White | Terratone® | Sandtone |
| C2/C | 24 ¹ / ₁₆ | 1506820 | 2106820 | 0607202 |
| C25/CW2 | 28 ⁵ / ₁₆ | 1506822 | 2106822 | 0638506 |
| C3 | 35 ⁷ / ₈ | 1348008 | 1448008 | 0607204 |
| C35 | 40 ³ / ₄ | 1348010 | 1448010 | 0607206 |
| C4 | 47 ¹⁵ / ₁₆ | 1348012 | 1448012 | 0607208 |
| C45 | 52 ³ / ₄ | 1348014 | 1448014 | 0607210 |
| C5 | 59 ¹³ / ₁₆ | 1348016 | 1448016 | 0607212 |
| C55 | 64 ³ / ₄ | 1348018 | 1448018 | 0607214 |
| C6 | 71 ¹³ / ₁₆ | 1506824 | 2106824 | 0607216 |
| 8 ft | 96 | N/A | N/A | N/A |
| 12 ft | 144 | 1348520 | 1448520 | 0607234 |

Joining Components

| Interior Casing - Narrow Mullion / Natural Wood Ref. No 3 page 55 | | | | |
|---|----------|---------|---------|---------|
| Unit No. | Length | 2 3/8" | 2 5/8" | 2 7/8" |
| CR | 14 23/32 | 1507632 | 8154121 | 1507604 |
| CN | 18 7/32 | 1507631 | 8154122 | 1507606 |
| C2/C | 21 27/32 | 1349006 | 1506920 | 1507608 |
| C25/CW2 | 26 3/32 | 1389520 | 1386804 | 1507620 |
| C3 | 33 21/32 | 1349008 | 1349030 | 1349037 |
| C35 | 38 17/32 | 1349010 | 1349031 | 1349038 |
| C4 | 45 23/32 | 1349012 | 1349032 | 1349039 |
| C45 | 50 17/32 | 1349014 | 1349033 | 1349040 |
| C5 | 57 19/32 | 1349016 | 1349034 | 1349041 |
| C55 | 62 17/32 | 1349018 | 1349035 | 1349042 |
| C6 | 69 19/32 | 1349020 | 1349036 | 1349043 |
| 8 ft | 96 | 1349022 | 1386812 | 1507622 |
| 12 ft | 144 | 1349024 | 1386814 | 1507624 |

| Exterior Flashing - Narrow Mullion | | | | |
|---|-------|---------|------------|-----------|
| | Width | White | Terratone® | Sandtone |
| | 6" | 1356008 | 1456008 | 0608402 |
| Gusset Plate - Narrow Mullion / Head and Sill Ref. No 4 page 55 | | | | |
| | | | | Order No. |
| | | | | 1359508 |

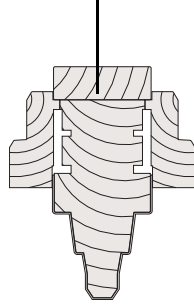
Perma-Shield® Enhanced Casement Windows (1995 to 1998)

Standard and Picture Windows

Joining Components

Factory Mullion

Interior Casing 2" Face



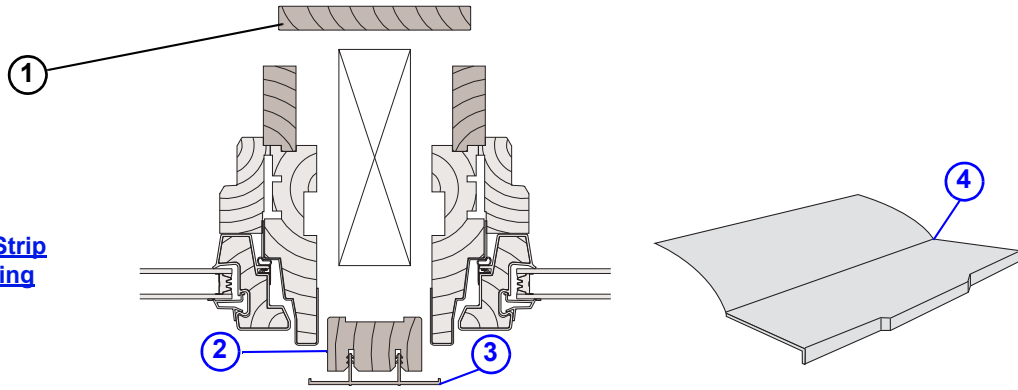
Perma-Shield® Enhanced Casement Factory Mullion

Interior Casing - Factory Mullion / 2" / Natural Wood

| | Unit No. | Length | Natural Wood |
|--|------------------|----------------------------------|--------------|
| | C2 | 21 ²⁷ / ₃₂ | 1389506 |
| | C25 | 26 ³ / ₃₂ | 1389508 |
| | C3 | 33 ²¹ / ₃₂ | 1389510 |
| | C35 | 38 ¹⁷ / ₃₂ | 8025502 |
| | C4 (CTC2) | 45 ²³ / ₃₂ | 8202303 |
| | C45 | 50 ¹⁷ / ₃₂ | 8025504 |
| | C5 | 57 ¹⁹ / ₃₂ | 8025505 |
| | C55 | 62 ¹⁷ / ₃₂ | 8025506 |
| | C6 | 69 ¹⁹ / ₃₂ | 8202305 |

Joining Components

Support Mullion



1. Interior Casing*
2. [Support Mull Filler](#)
3. [Exterior Vinyl Trim Strip](#)
4. [Exterior Head Flashing](#)

*Supplied by others

Perma-Shield® Enhanced Casement Support Mullion

Joining Kit - Support Mullion

Kit Includes:

Support mullion filler strip, support mullion flashing, support mullion trim strip

| Unit No. | White | Terratone® | Sandtone |
|------------|---------|------------|----------|
| C3 | 1348708 | 1448708 | 0607404 |
| C35 | 1348710 | 1448712 | 0607406 |
| C4 | 1348712 | 1448716 | 0607408 |
| C45 | 1348714 | 1448718 | 0607410 |
| C5 | 1348716 | 1448720 | 0607412 |
| C55 | 1348718 | 1448722 | 0607414 |
| C6 | 1348720 | 1448724 | 0607416 |

Filler - Support Mullion Ref. No 2 [page 58](#)

| | Unit No. | Length | Order No. |
|------------|-----------|---------|-----------|
| | C2 | 24 | 8015601 |
| C25 | 28 1/4 | 8015602 | |
| C3 | 35 13/16 | 8015603 | |
| C35 | 40 11/16 | 8015604 | |
| C4 | 47 7/8 | 8015605 | |
| C45 | 52 11/16 | 8015606 | |
| C5 | 59 3/4 | 8015607 | |
| C55 | 64 11/16 | 8015608 | |
| C6 | 71 3/4 | 8015609 | |
| 72" | 72 | 1348812 | |

Perma-Shield® Enhanced Casement Windows (1995 to 1998)

Standard and Picture Windows

Joining Components

| Exterior Flashing - Support Mullion Ref. No 4 page 58 | | | |
|---|-------|------------|-----------|
| | Width | Color | Order No. |
| | 6" | White | 1356012 |
| | | Terratone® | 1456012 |
| | | Sandtone | 0608404 |

| Exterior Trim Strip - Support Mullion / Vinyl Ref. No 3 page 58 | |
|---|--|
| | |

Note:

If a part number is not provided, use longer length trim strip and cut to size or order specific length by description. White uses angled trim strip.

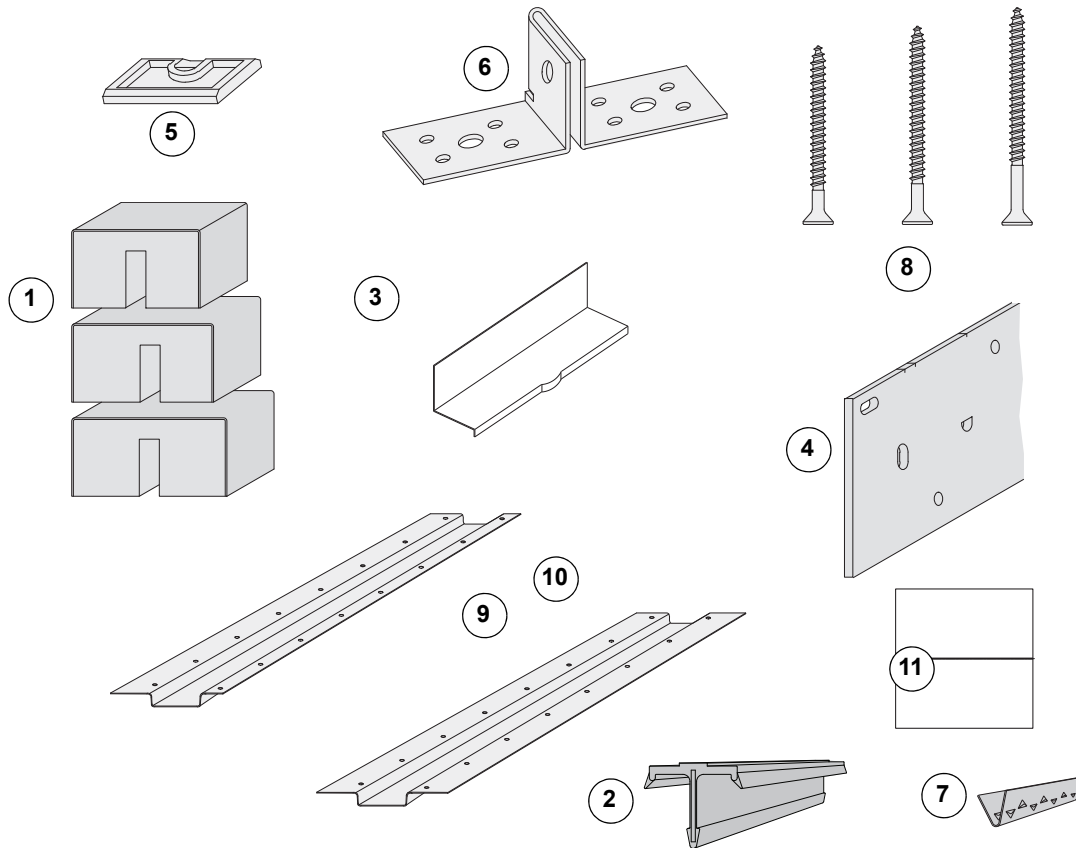
| Unit No. | Length | White | Terratone® | Sandtone |
|----------|----------------------------------|---------|------------|----------|
| C2 | 24 ¹ / ₁₆ | 8015503 | 8015504 | 8015505 |
| C25 | 28 ⁵ / ₁₆ | 8015506 | 8015507 | 8015508 |
| C3 | 35 ⁷ / ₈ | 8015509 | 1449008 | 0611004 |
| C35 | 40 ³ / ₄ | 8015510 | 1449012 | 0611006 |
| C4 | 47 ¹⁵ / ₁₆ | 8015511 | 1449016 | 0611008 |
| C45 | 52 ³ / ₄ | 8015512 | 8015513 | 0611010 |
| C5 | 59 ¹³ / ₁₆ | 8015514 | 1449020 | 0611012 |
| C55 | 64 ³ / ₄ | 8015515 | 8015516 | 0611014 |
| C6 | 71 ¹³ / ₁₆ | 8015517 | 1449024 | 0611016 |
| 144" | 144 | 1348620 | 1448620 | 0611034 |

Joining Components

Reinforced Mull Joining Components - Steel

Notes:

See [Joining Guide 0005172](#).



**Steel Reinforced Narrow Mullion
for Casement, Awning, Specialty, and Circle Top™ Windows**

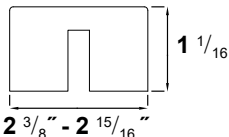
IMPORTANCE OF PROPER SELECTION:

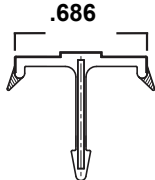
It is essential that you select the proper joining members for Andersen windows. Andersen strongly recommends consultation with an experienced structural engineer, contractor, architect or your local Andersen window supplier prior to the installation of any Andersen product. Installation of Andersen products is the sole responsibility of the architect, building owner, contractor, and/or consumer, and Andersen has no responsibility in this regard. For more information about joining materials, please see the Andersen Residential Product Guide, the Andersen Commercial Catalog, or the Andersen Architectural Detail File.

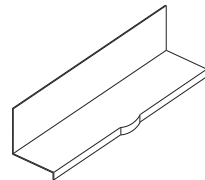
Perma-Shield® Enhanced Casement Windows (1995 to 1998)

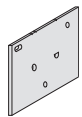
Standard and Picture Windows


Joining Components

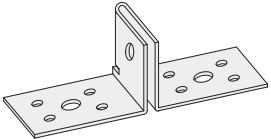
| Inside Casing Ref. No. 1 page 60 | | | | | |
|---|---------------|--------|---------|---------|----------|
|  | Species/Color | Length | 2 3/8" | 2 5/8" | 2 15/16" |
| | Pine | 96" | 2340602 | 2340606 | 2340614 |
| | White | | 2340617 | 2340619 | 2340621 |
| | Pine | 144" | 2340604 | 2340608 | 2340616 |
| | White | | 2340618 | 2340620 | 2340622 |
| | | | | | |
| | | | | | |

| Exterior Trim Strip - Reinforced Mullion Ref. No. 2 page 60 | | | | | | |
|--|--------|---------|------------|----------|--------------|---------|
| Note: See Sealant . | | | | | | |
|  | Length | White | Terratone® | Sandtone | Forest Green | Canvas |
| | 96" | 2340504 | 2340508 | 2340512 | 2340528 | 9043184 |
| | 150" | 2340502 | 2340506 | 2340510 | 2340526 | 9043183 |

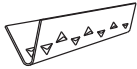
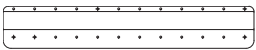
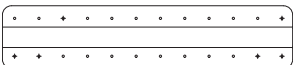
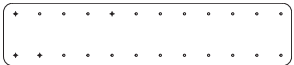
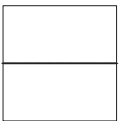
| Exterior Narrow Mull Flashing Ref. No. 3 page 60 | | | | | | |
|---|--------|---------|------------|----------|--------------|---------|
|  | Length | White | Terratone® | Sandtone | Forest Green | Canvas |
| | 6" | 1356008 | 1456008 | 0608402 | 0514129 | 9033568 |

| Joining Strip - Steel Reinforced Mullion Ref. No. 4 page 60 | | | | Unit Size | Order No. |
|---|--|--|--|-----------|-----------|
|  | | | | 96 1/4" | 2340406 |
| | | | | 114" | 2340408 |
| | | | | 150" | 2340410 |

| End Bracket Kit - Steel Reinforced Mullion / PSC/A/CT/FF Ref. No. 5 to 8 page 60 | | |
|--|---|-----------------------------|
|  | Includes: Instruction Sheet, Trim Strip Clips, Screw Packages RMA1, RMB1, RMC1, Location Blocks and 2 - End brackets. | Order No. 2340414 |

| End Bracket - Steel Reinforced Mullion Ref. No. 6 page 60 | | Order No. |
|---|--|-----------|
|  | | 2340424 |

Joining Components

| Clip - Trim Strip / Reinforced Mullion Ref. No. 7 page 60 | | |
|--|--|-----------------------------|
| Note: 96" trim strip uses 14 clips. 150" trim strip uses 21 clips. | | |
|  | | Order No. 2340423 |
| | | |
| Gusset Plate Kit - Steel Reinforced Mullion / ET Ref. No. 11, 5, and 7 page 60 | | |
| | Includes: Gussets, location locks and screw packages: RMA-2, RMB-2, RMC-2. | Order No. 2340416 |
| Gusset Plate - Metal / PS/FF Ref. No. 9 page 60 | | |
|  | | Order No. 2250208 |
| | | |
| Gusset Plate - Head and Sill Ref. No. 10 page 60 | | |
|  | | Order No. 1359508 |
| | | |
| Gusset Plate - CTC/CTN/ET/DH | | |
|  | | Order No. 1359510 |
| | | |
| Flange Gasket - Mull Ref. No 11 page 60 | | |
|  | Note: Used over flange. | Order No. 9122508 |
| | | |

Perma-Shield® Enhanced Casement Windows (1995 to 1998)

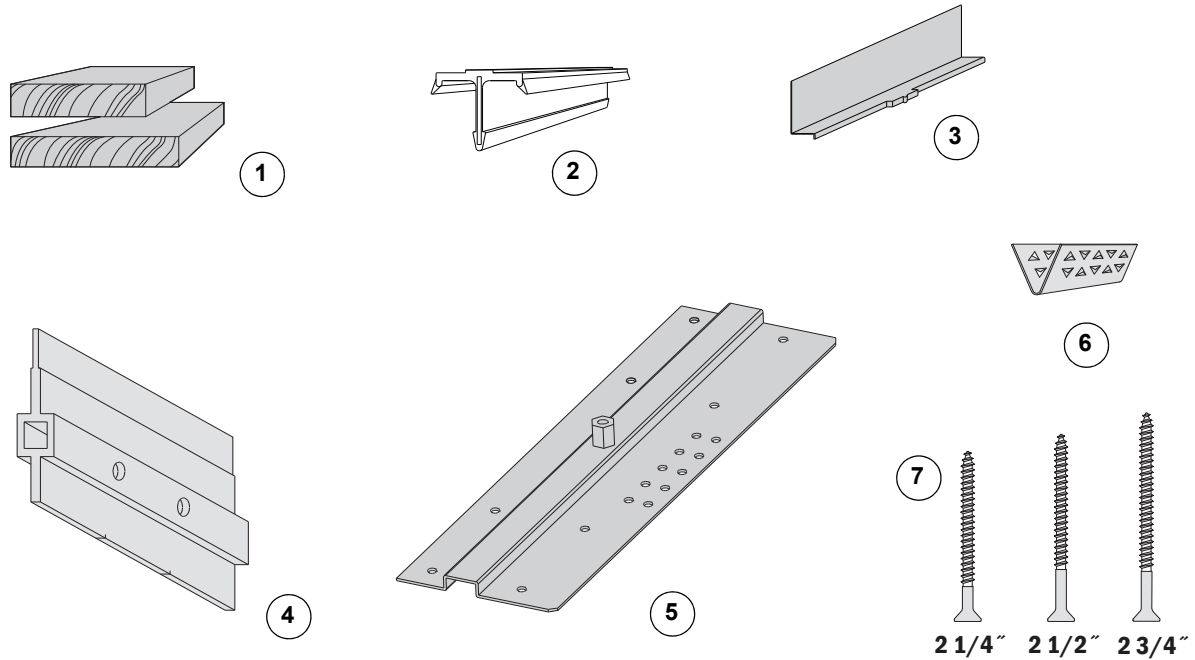
Standard and Picture Windows

Joining Components

Reinforced Mull Joining Components - Aluminum

Notes:

See [Joining Guide 0005165](#).



**Aluminum Reinforced Narrow Mullion
for Casement, Awning, Specialty, and Circle Top™ Windows**

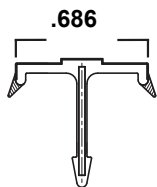
Inside Casing - Aluminum Reinforced Mullion Ref. No. 1

| | Length | 2 3/8" | 2 5/8" | 2 7/8" |
|--|--------|----------------------|------------------------|--------------------------|
| | | Casement to Casement | Casement to Flexiframe | Flexiframe to Flexiframe |
| | 96" | 1349022 | 1386812 | 1507622 |
| | 144" | 1349024 | 1386814 | 1507624 |

Exterior Trim Strip - Reinforced Mullion Ref. No. 2

Note:

See [Sealant](#).

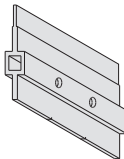


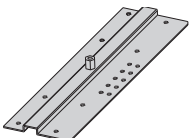
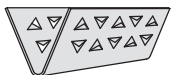
| Unit Size | White | Terratone® | Sandtone | Forest Green | Canvas |
|-----------|---------|------------|----------|--------------|---------|
| 96" | 2340504 | 2340508 | 2340512 | 2340528 | 9043184 |
| 150" | 2340502 | 2340506 | 2340510 | 2340526 | 9043183 |

Exterior Flashing Ref. No. 3

| Length | White | Terratone® | Sandtone | Forest Green | Canvas |
|--------|---------|------------|----------|--------------|---------|
| 6" | 1356008 | 1456008 | 0608402 | 0514129 | 9033568 |

Joining Components

| Joining Strip - Reinforced Mullion Ref. No. 4 | | | |
|---|--|-----------------------------------|-----------|
|  | | Unit Size | Order No. |
| | | 72 ³ / ₃₂ " | 2340402 |
| | | 92" | 2340404 |

| End Plate Kit - Reinforced Mullion / PSC/A/CT/FF Ref. No. 5, 6, and 7 page 63 | | | |
|---|--|--|-----------|
| | Includes: End plates, trim strip clip and screws | | Order No. |
| | | | 2340412 |
| End Plate - Reinforced Mullion Ref. No. 5 page 63 | | | |
|  | | | Order No. |
| | | | 2340422 |
| Trim Clip - Reinforced Mullion Ref. No. 6 page 63 | | | |
| Note: 96" trim strip uses 14 clips. 150" trim strip uses 21 clips. | | | |
|  | | | Order No. |
| | | | 2340423 |

Perma-Shield® Enhanced Casement Windows (1995 to 1998)

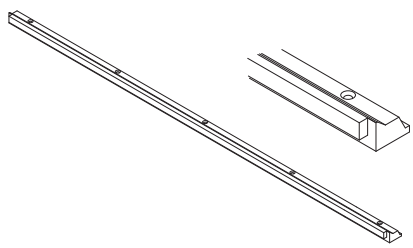
Standard and Picture Windows

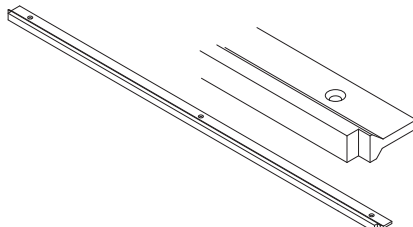
Art Glass Components

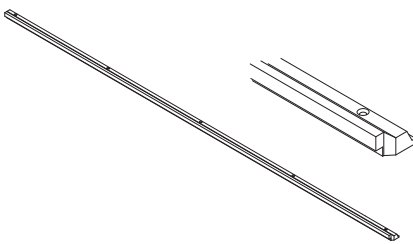
Art Glass Trim Stops

Note:

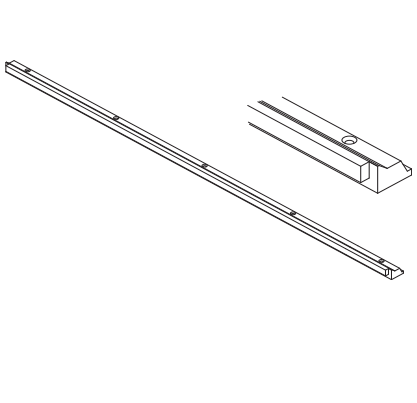
Information about ordering replacement art glass panels can be found in the Andersen® Art Glass™ section of the catalog. Handed stops are determined by location as viewed from exterior.

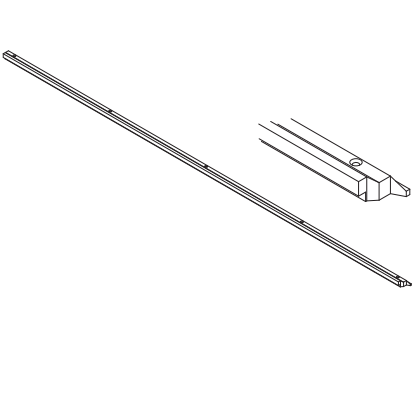
| Trim Stop - Standard Window / Art Glass / Venting / Head | | | | |
|---|--------|--------------------------------|----------------------------------|------------------|
|  | | Unit No. | Length | Order No. |
| | | AG CR | 12 ⁷ / ₈ | 2370426 |
| | | AG CN | 16 ³ / ₈ | 2370425 |
| | | AG C | 20 | 2370424 |
| | | AG CW | 24 ¹ / ₄ | 2370423 |
| | | AG CX | 27 ³ / ₈ | 2370529 |
| | | AG CXW | 31 ¹³ / ₁₆ | 2370422 |
| | | AG CP35 | 36 ⁵ / ₈ | 2370421 |
| | | AG CP2 | 43 ⁷ / ₈ | 2370420 |
| | AG CP3 | 67 ³ / ₄ | 2370418 | |

| Trim Stop - Standard Window / Art Glass / Venting / Sill | | | | |
|---|--|-----------------|----------------------------------|------------------|
|  | | Unit No. | Length | Order No. |
| | | AG CR | 12 ⁷ / ₈ | 2370431 |
| | | AG CN | 16 ³ / ₈ | 2370430 |
| | | AG C | 20 | 2370429 |
| | | AG CW | 24 ¹ / ₄ | 2370428 |
| | | AG CXW | 31 ¹³ / ₁₆ | 2370427 |

| Trim Stop - Standard Window / Art Glass / Venting / Side | | | | | |
|---|--------|----------------------------------|----------------------------------|------------------|--------------|
| Note: | | | | | |
| Handing determined by location as viewed from exterior. | | | | | |
|  | | Unit No. | Length | Order No. | |
| | | | | Left | Right |
| | | AG C2 | 19 | 2370449 | 2370458 |
| | | AG C25 | 23 ¹ / ₄ | 2370448 | 2370457 |
| | | AG C3 | 30 ¹³ / ₁₆ | 2370447 | 2370456 |
| | | AG C35 | 35 ¹⁵ / ₁₆ | 2370446 | 2370455 |
| | | AG C4 | 42 ⁷ / ₈ | 2370445 | 2370454 |
| | | AG C45 | 47 ¹¹ / ₁₆ | 2370444 | 2370453 |
| | | AG C5 | 54 ³ / ₄ | 2370443 | 2370452 |
| | AG C55 | 59 ¹¹ / ₁₆ | 2370442 | 2370451 | |
| | AG C6 | 66 ³ / ₄ | 2370441 | 2370450 | |

Art Glass Components

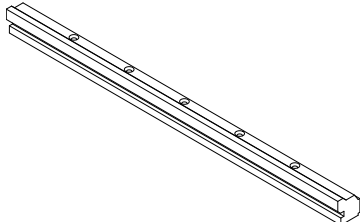
| Trim Stop - Standard Window / Art Glass / Stationary / Head and Sill | | | |
|--|-----------------|----------------------------------|------------------|
|  | Unit No. | Length | Order No. |
| | AG CR | 12 ⁷ / ₈ | 2370426 |
| | AG CN | 16 ³ / ₈ | 2370425 |
| | AG C | 20 | 2370424 |
| | AG CW | 24 ¹ / ₄ | 2370423 |
| | AG CXW | 31 ¹³ / ₁₆ | 2370422 |
| | AG CP35 | 36 ⁵ / ₈ | 2370421 |
| | AG CP2 | 43 ⁷ / ₈ | 2370420 |
| | AG CP3 | 67 ³ / ₄ | 2370418 |

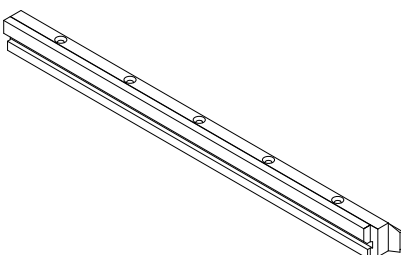
| Trim Stop - Standard Window / Art Glass / Stationary / Side | | | |
|---|-----------------|----------------------------------|------------------|
|  | Unit No. | Length | Order No. |
| | AG C2 | 19 ¹ / ₄ | 2370440 |
| | AG C25 | 23 ¹ / ₂ | 2370439 |
| | AG C3 | 31 ¹ / ₁₆ | 2370438 |
| | AG C35 | 35 ¹⁵ / ₁₆ | 2370437 |
| | AG C4 | 43 ¹ / ₈ | 2370436 |
| | AG C45 | 47 ¹⁵ / ₁₆ | 2370435 |
| | AG C5 | 55 | 2370434 |
| | AG C55 | 59 ¹⁵ / ₁₆ | 2370433 |
| AG C6 | 67 | 2370432 | |

Perma-Shield® Enhanced Casement Windows (1995 to 1998)

Standard and Picture Windows

Art Glass Components

| Trim Stop - Picture Window / Art Glass / Head and Sill | | | |
|---|----------|----------|-----------|
|  | Unit No. | Length | Order No. |
| | AG P30 | 31 1/4 | 2370505 |
| | AG P35 | 36 5/8 | 2370506 |
| | AG P40 | 43 13/16 | 2370507 |
| | AG P45 | 48 5/8 | 2370508 |
| | AG P50 | 55 11/16 | 2370509 |
| | AG P55 | 60 5/8 | 2370510 |
| | AG P60 | 67 11/16 | 2370511 |

| Trim Stop - Picture Window / Art Glass / Side | | | |
|--|----------|----------|-----------|
|  | Unit No. | Length | Order No. |
| | AG P30 | 30 13/16 | 2370497 |
| | AG P35 | 35 11/16 | 2370498 |
| | AG P40 | 42 7/8 | 2370499 |
| | AG P45 | 47 11/16 | 2370501 |
| | AG P50 | 54 3/4 | 2370502 |
| | AG P55 | 59 11/16 | 2370503 |
| | AG P60 | 66 3/4 | 2370504 |

Art Glass Components

| Art Glass Hardware | | | |
|--|---|---------|-----------|
| Sash Support Hardware Kit - Universal | | | |
| | Note: The sash support hardware adaptor allows a 4 1/2" to 5" opening. The adaptor can also be used for wind control and venting without art glass. | Left | Right |
| | | 2370513 | 2370512 |
| Bracket Package- Standard / Top and Bottom / AG ET | | | |
| | Note: Includes shims and screws. | | Order No. |
| | | | 2370022 |
| Bracket - Standard / Top Only | | | |
| | Package Includes: (2) Upper Brackets Fasteners See Accessory Guide 0005169 . | | Order No. |
| | | | 2370024 |
| Screw Head Packages | | | |
| | Description | | Order No. |
| | Brass / Oval / AG 1 x 5 STD | | 2370026 |
| | Brass / Oval / AG 3/4 x 5 ET | | 2370028 |

| Bracket Package - Standard / Top and Bottom | | | | |
|---|---|------------|-------------|-----------|
| | Package Includes: (2) Upper Brackets (2) Lower Brackets Shims Fasteners See Accessory Guide 0005169 . | Panel Size | Qty. needed | Order No. |
| | | 5" - 36" | 1 | 2370020 |
| | | 37" - 60" | 2 | |
| | | 61" - 70" | 3 | |

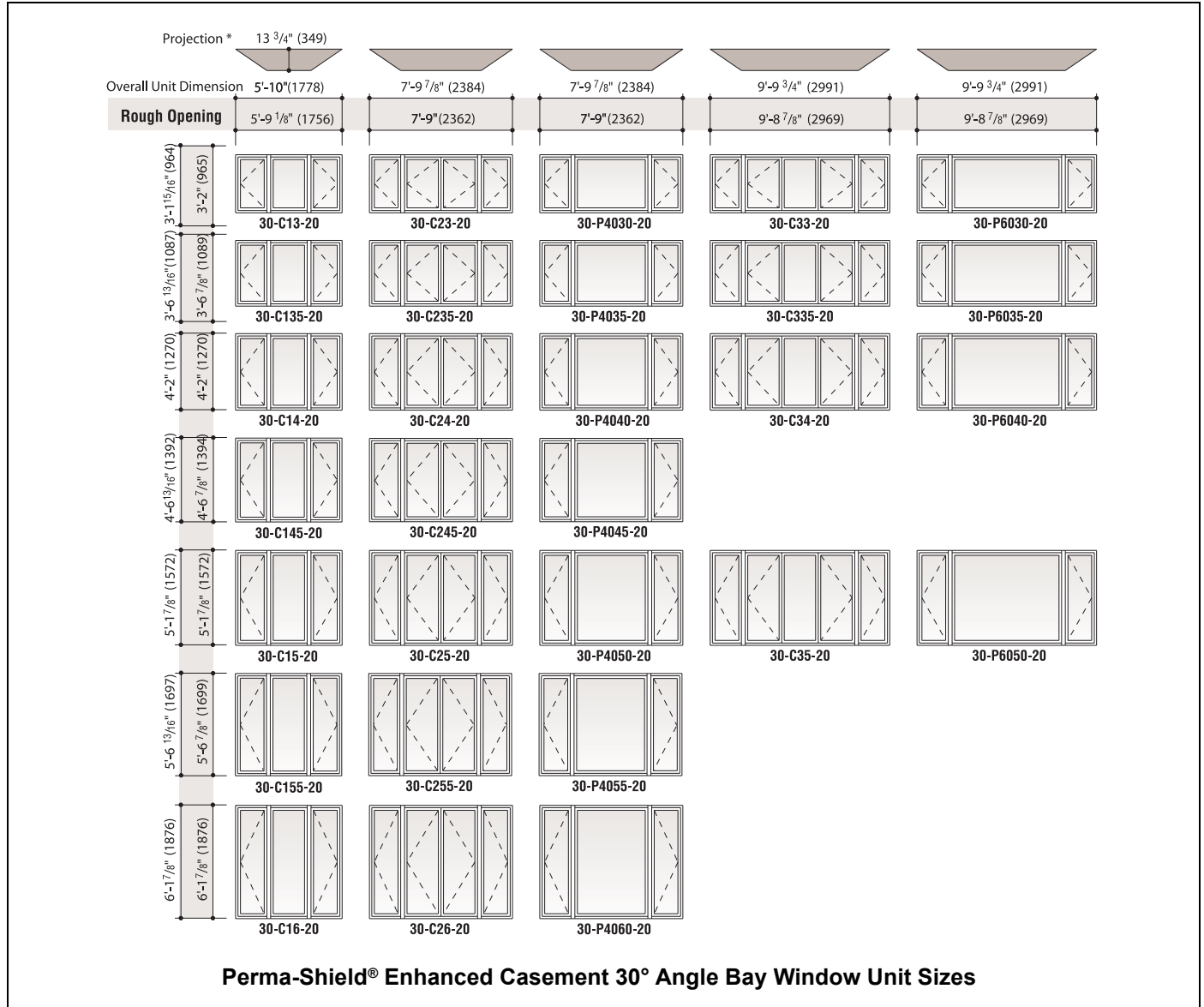
Perma-Shield® Enhanced Casement Windows (1995 to 1998)

Angle Bay Windows

Unit Sizes

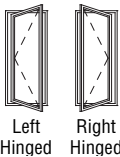
Note:

Angle Bay Windows are assembled with multiple Casement Windows. Look in the Standard and Picture Casement Window pages of this catalog for most replacement parts. Angle Bay units use specially designed mullion posts, side flanges, and head/seat boards. Replacements for these and other special Angle Bay parts are listed on the following pages.



Unit viewed from exterior.

VENT LAYOUT



Note:

Single sash indicates hinging left, right or stationary. Handing is viewed from exterior. Unit Dimension refers to overall outside-to-outside frame. Unobstructed Glass refers to visible glass dimensions. Numbers in parentheses are metric measurements.

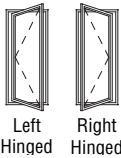
Unit Sizes

| | Projection* 19 3/16" (487) | | | | |
|--|-------------------------------|------------------|------------------|------------------|------------------|
| Overall Unit Dimension | 5'-4 1/8" (1629) | 7'-3 7/8" (2232) | 7'-3 7/8" (2232) | 9'-3 3/4" (2838) | 9'-3 3/4" (2838) |
| Rough Opening | 5'-2 5/8" (1591) | 7'-2 1/2" (2197) | 7'-2 1/2" (2197) | 9'-2 3/8" (2804) | 9'-2 3/8" (2804) |
| 3'-1 15/16" (964) 3'-2" (965) | | | | | |
| 3'-6 13/16" (1087) 3'-6 7/8" (1089) | | | | | |
| 4'-2" (1270) 4'-2" (1270) | | | | | |
| 4'-6 13/16" (1392) 4'-6 7/8" (1394) | | | | | |
| 5'-1 7/8" (1572) 5'-1 7/8" (1572) | | | | | |
| 5'-6 13/16" (1697) 5'-6 7/8" (1699) | | | | | |
| 6'-1 7/8" (1876) 6'-1 7/8" (1876) | | | | | |

Perma-Shield® Enhanced Casement 45° Angle Bay Window Unit Sizes

Unit viewed from exterior.

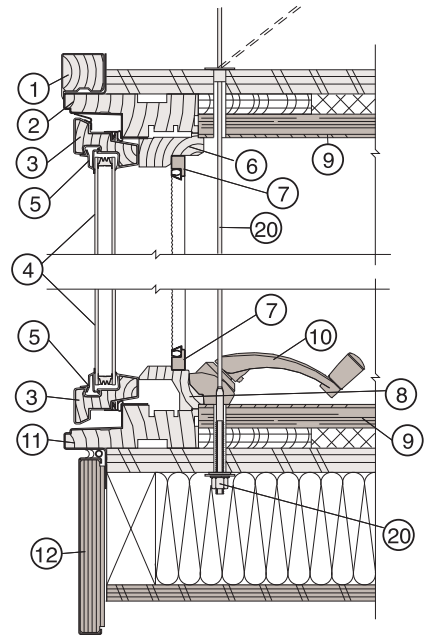
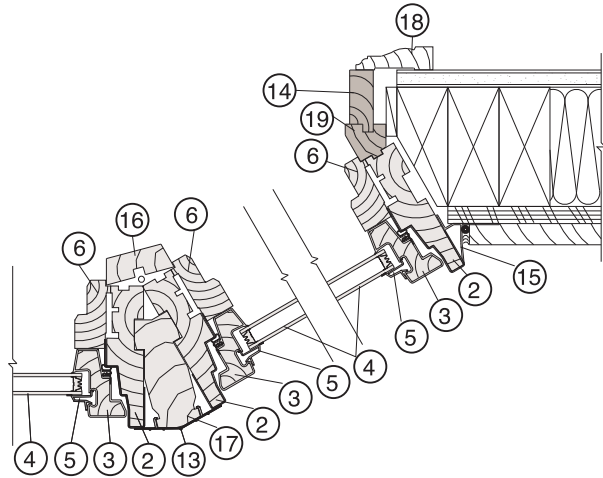
VENT LAYOUT



Note:

Single sash indicates hinging left, right or stationary. Handing is viewed from exterior. Unit Dimension refers to overall outside-to-outside frame. Unobstructed Glass refers to visible glass dimensions. Numbers in parentheses are metric measurements.

Joining Components - Angle Bay



- | | | |
|----------------------|-------------------------------------|-----------------------------|
| 1. Auxiliary Casing | 8. HD. & Sill Stop | 14. Side Extension Jamb |
| 2. Jamb, HD. & Stile | 9. HD. & Seat Boards (not shown) | 15. Angled Side Flange |
| 3. Rail & Stile | 10. Roto Operator | 16. Mull Post Interior Trim |
| 4. Glazing | 11. Frame, Sill | 17. Mull Post |
| 5. Glazing Bead | 12. PS Laminated Board | 18. Interior Casing* |
| 6. HD. & Sill Stop | 13. Post Trim Strip | 19. Ext Jamb Adaptor |
| 7. Insect Screen | | 20. Cable Support System |

*Furnished by others

Perma-Shield® Enhanced Casement 30° and 45° Angle Bay Window Profiles

Joining Kit - Angle Bay 30° Ref. No. 17

| | Unit No. | White | Terratone® | Sandtone |
|--|----------|---------|------------|----------|
| | C3/P30 | 1348728 | 1448732 | 0607420 |
| | C35/P35 | 1348730 | 1448734 | 0607422 |
| | C4/P40 | 1348732 | 1448736 | 0607424 |
| | C45/P45 | 1348734 | 1448738 | 0607426 |
| | C5/P50 | 1348736 | 1448740 | 0607428 |
| | C55/P55 | 1348738 | 1448742 | 0607430 |
| | C6/P60 | 1348740 | 1448744 | 0607432 |
| | 8 ft | 1348742 | 1448746 | 0607434 |

Angle Bay Parts

| Joining Kit - Angle Bay 45° Ref. No. 17 page 71 | | | | |
|---|----------|---------|------------|----------|
| | Unit No. | White | Terratone® | Sandtone |
| | C3/P30 | 1348746 | 1448748 | 0607436 |
| | C35/P35 | 1348748 | 1448750 | 0607438 |
| | C4/P40 | 1348750 | 1448752 | 0607440 |
| | C45/P45 | 1348752 | 1448754 | 0607442 |
| | C5/P50 | 1348754 | 1448756 | 0607444 |
| | C55/P55 | 1348756 | 1448758 | 0607446 |
| | C6/P60 | 1348758 | 1448760 | 0607448 |
| | 8 ft | 1348760 | 1448762 | 0607450 |

| Trim Strip - Angle Bay 30° / Post Ref. No. 13 page 71 | | | | |
|---|----------|---------|------------|----------|
| | Unit No. | White | Terratone® | Sandtone |
| | C3/P30 | 1365404 | 1465204 | 0611104 |
| | C35/P35 | 1365406 | 1465206 | 0611106 |
| | C4/P40 | 1365408 | 1465208 | 0611108 |
| | C45/P45 | 1365410 | 1465210 | 0611110 |
| | C5/P50 | 1365412 | 1465212 | 0611112 |
| | C55/P55 | 1365414 | 1465214 | 0611114 |
| | C6/P60 | 1365416 | 1465216 | 0611116 |
| | 8 ft | 1365502 | 1449006 | 0607235 |

| Trim Strip - Angle Bay 45° / Post Ref. No. 13 page 71 | | | | |
|---|----------|---------|------------|----------|
| | Unit No. | White | Terratone® | Sandtone |
| | C3/P30 | 1364404 | 1464204 | 0611204 |
| | C35/P35 | 1364406 | 1464206 | 0611206 |
| | C4/P40 | 1364408 | 1464208 | 0611208 |
| | C45/P45 | 1364410 | 1464210 | 0611210 |
| | C5/P50 | 1364412 | 1464212 | 0611212 |
| | C55/P55 | 1364414 | 1464214 | 0611214 |
| | C6/P60 | 1364416 | 1464216 | 0611216 |
| | 8 ft | 1365503 | 1449007 | 0611036 |

| Flashing - Angle Bay 30° & 45° / Bow / Side (Pair) Ref. No. 15 page 71 | | | | |
|--|----------|---------|------------|----------|
| Note: Universal 30° & 45°.flashing. | | | | |
| | Unit No. | White | Terratone® | Sandtone |
| | C3 | 1364604 | 1464304 | 0611504 |
| | C35 | 1364606 | 1464306 | 0611506 |
| | C4 | 1364608 | 1464308 | 0611508 |
| | C45 | 1364610 | 1464310 | 0611510 |
| | C5 | 1364612 | 1464312 | 0611512 |
| | C55 | 1364614 | 1464314 | 0611514 |
| | C6 | 1364616 | 1464316 | 0611516 |

Perma-Shield® Enhanced Casement Windows (1995 to 1998)

Angle Bay Windows

Angle Bay Parts

| Extension Jamb Adaptor - Angle Bay Ref. No. 19 page 71 | | | |
|--|------------|---------|---------|
| Note: Ships as individual piece. | | | |
| | Unit No. | 30° | 45° |
| | C3 | 8016001 | 8026001 |
| | C35 | 8016002 | 8026002 |
| | C4 | 8016003 | 8026003 |
| | C45 | 8016004 | 8026004 |
| | C5 | 8016005 | 8026005 |
| | C55 | 8016006 | 8026006 |
| | C6 | 8016007 | 8026007 |

| Interior Casing - Angle Bay | | |
|--|---------------|---------|
| Interior Casing - Angle Bay 30° / Mullion Post | | |
| | Unit No. | 2 1/8" |
| | C5/P50 | 1365512 |
| | 8 ft | 1348103 |
| Interior Casing - Angle Bay 45° / Mullion Post | | |
| | Unit No. | 2" |
| | C5/P50 | 1364512 |
| | 8 ft | 1348105 |

| Head and Seat Boards - Angle Bay | | | | |
|-------------------------------------|-----------------|-------------|--------------|-------------|
| Head and Seat Board - Angle Bay 30° | | | | |
| | Unit No. | 5 1/4" Wall | 6 9/16" Wall | 7 1/8" Wall |
| | 30-C1-20 | 1365108 | 1364820 | 1376608 |
| | 30-C2-20 | 1365112 | 1364822 | 1376610 |
| | 30-C3-20 | 1365116 | 1364824 | 1376612 |

| Head and Seat Board - Angle Bay 45° | | | | |
|-------------------------------------|-----------------|-------------|--------------|-------------|
| | Unit No. | 5 1/4" Wall | 6 9/16" Wall | 7 1/8" Wall |
| | 45-C1-20 | 1364108 | 1364720 | 1376408 |
| | 45-C2-20 | 1364112 | 1364722 | 1376410 |
| | 45-C3-20 | 1364116 | 1364724 | 1376412 |

| Head and Seat Board Interior Trim - Angle Bay | | |
|---|--------------|-----------|
| Head and Seat Board Interior Trim - Angle Bay | | |
| | Dimensions | Order No. |
| | 15/32 x 8 ft | 1347058 |

Angle Bay Parts

Platform - Angle Bay

Platform - Angle Bay 30°

| | Unit No. | Order No. |
|--|-----------------|-----------|
| | 30-C1-20 | 1365208 |
| | 30-C2-20 | 1365212 |
| | 30-C3-20 | 1365216 |

Platform - Angle Bay 45°

| | Unit No. | Order No. |
|--|-----------------|-----------|
| | 45-C1-20 | 1364208 |
| | 45-C2-20 | 1364212 |
| | 45-C3-20 | 1364216 |

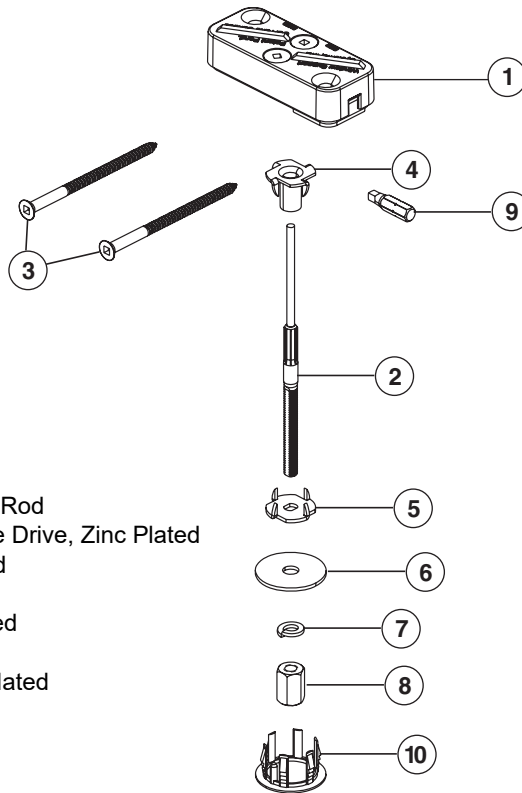
Extension Jambs - Angle Bay

Extension Jambs - Angle Bay

Note:

Extension jambs for Angle Bay Windows are the same as Standard and Picture Window jambs. See that section for replacement parts.

Cable Support System - Angle Bay



1. Cable Clamp
2. Cable with Swaged Threaded Rod
3. Screw - #12 x 3-1/4 #3 Square Drive, Zinc Plated
4. T-nut - .390 Barrel, Zinc Plated
5. Keyed T-washer - Zinc Plated
6. Flat Washer - 1-1/4, Zinc Plated
7. Lock Washer - Zinc Plated
8. Hex Nut - 1/4-28, .625, Zinc Plated
9. Square Drive Bit - #3
10. Nylon Hole Plug

Cable Support System - Angle Bay

| | Length | Order No. |
|--|--------|-----------|
| | 9 ft | 1355020 |
| | 12 ft | 1355021 |

Notes

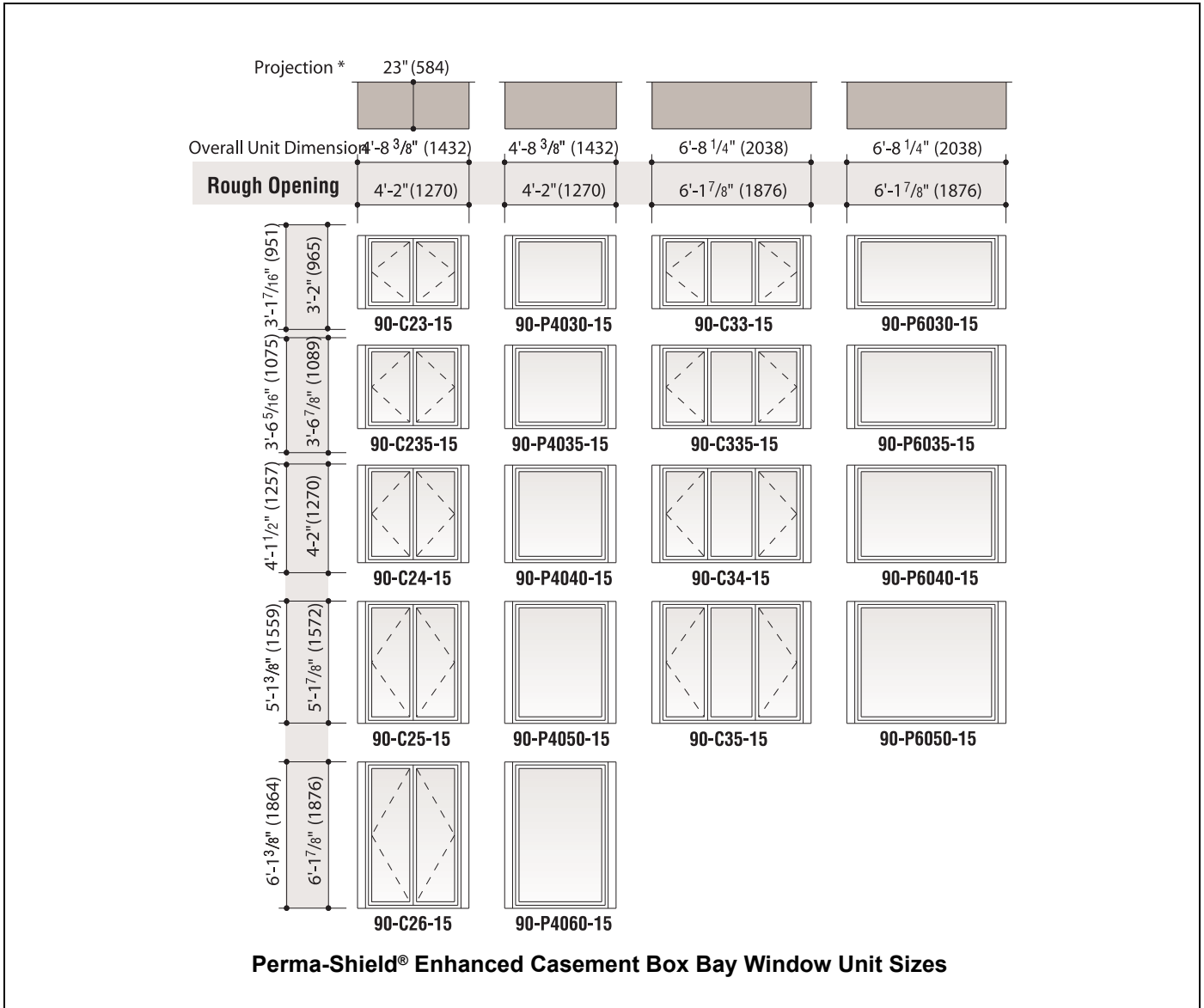
Perma-Shield® Enhanced Casement Windows (1995 to 1998)

Box Bay Windows

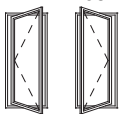
Unit Sizes

Note:

Box Bay Windows are assembled with multiple Casement Windows. Look in the Standard and Picture Window pages of this section for most replacement parts. Replacements for special Box Bay parts are listed on the following pages.



VENT LAYOUT

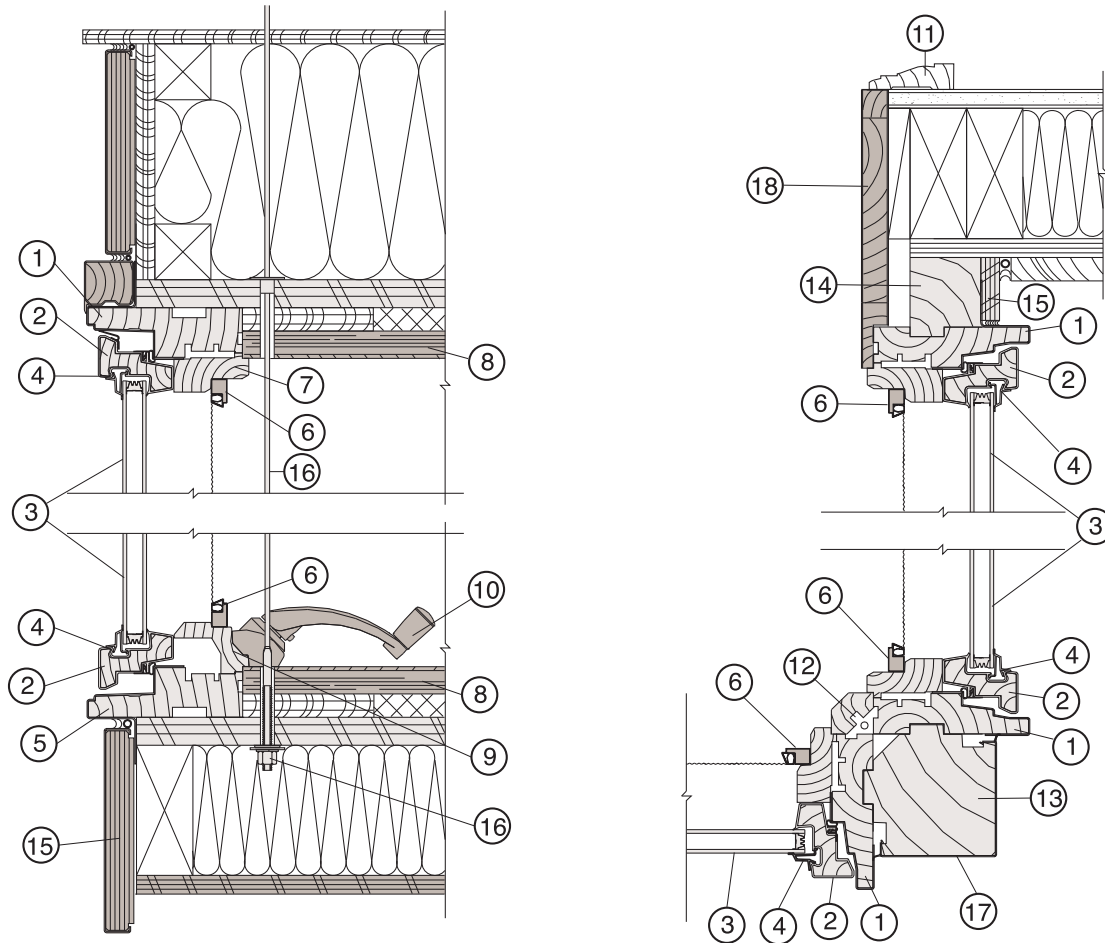


Left Hinged Right Hinged

Note:

Single sash indicates hinging left, right or stationary. Handing is viewed from exterior. Unit Dimension refers to overall outside-to-outside frame. Unobstructed Glass refers to visible glass dimensions. Numbers in parentheses are metric measurements.

Box Bay Parts



- | | |
|-------------------------|----------------------------------|
| 1. Jamb, Head and Side | 10. Roto Operator |
| 2. Sash, Rail and Stile | 11. Casing (Furnished By Others) |
| 3. Glazing | 12. Mull Post Interior Trim |
| 4. Glazing Bead | 13. Mull Post |
| 5. Sill | 14. Wall Return Post |
| 6. Insect Screen | 15. Perma-Shield Laminated Board |
| 7. Head | 16. Cable Support System |
| 8. Head and Seat Boards | 17. Post Trim Strip |
| 9. Sill Stop | 18. Extension Jamb |

Perma-Shield® Enhanced Casement Box Bay Window Profiles

Perma-Shield® Enhanced Casement Windows (1995 to 1998)

Box Bay Windows

Box Bay Parts

Joining Components - Box Bay

| Joining Kit - Box Bay 90° Ref. No. 13 page 78 | | | | |
|--|----------|-----------|------------|----------|
| | Unit No. | White | Terratone® | Sandtone |
| | C3/P30 | 1348762 | 1448764 | 0607452 |
| | C35/P35 | 1348764 | 1448766 | 0607454 |
| | C4/P40 | 1348766 | 1448768 | 0607456 |
| | C45/P45 | 1348768 | 1448770 | 0607458 |
| | C5/P50 | 1348770 | 1448772 | 0607460 |
| | C55/P55 | 1348772 | 1448774 | 0607462 |
| | C6/P60 | 1348774 | 1448776 | 0607464 |
| | 8 ft | 1348776 | 1448778 | 0607466 |
| Exterior Trim Strip - Box Bay 90° / Mullion Post Ref. No. 17 page 78 | | | | |
| | Unit No. | White | Terratone® | Sandtone |
| | C3/P30 | 1372702 | 1465402 | 0611304 |
| | C35/P35 | 1372703 | 1465403 | 0611306 |
| | C4/P40 | 1372704 | 1465404 | 0611308 |
| | C45/P45 | 1348007 | 1454035 | 0611422 |
| | C5/P50 | 1372706 | 1465406 | 0611312 |
| | C55/P55 | 1348006 | 1454034 | 0611421 |
| | C6/P60 | 1372708 | 1465408 | 0611316 |
| | 8 ft | 1348005 | 1454033 | 0611420 |
| Exterior Wall Return Casing - Box Bay 90° | | | | |
| | Unit No. | White | Terratone® | Sandtone |
| | C3 | 1372802 | 1465502 | 0611404 |
| | C35 | 1372803 | 1465503 | 0611406 |
| | C4 | 1372804 | 1465504 | 0611408 |
| | C45 | 1364519 | 1454111 | 0611419 |
| | C5 | 1372806 | 1465506 | 0611412 |
| | C55 | 1364518 | 1454110 | 0611418 |
| | C6 | 1372808 | 1465508 | 0611416 |
| | 8 ft | 1364517 | 1454109 | 0611417 |
| Wall Return Post - Box Bay 90° Ref. No. 14 page 78 | | | | |
| | Unit No. | Order No. | | |
| | C3 | 1372002 | | |
| | C35 | 1372003 | | |
| | C4 | 1372004 | | |
| | C5 | 1372006 | | |
| | C6 | 1372008 | | |

Box Bay Parts

| Interior Casing- Box Bay 90° / Mullion Post | | | | |
|---|----------|--|---|---|
| | Unit No. | 1 ⁷ / ₁₆ " (Casement to Casement) | 1 ⁵ / ₈ " (Casement to Flexiframe) | 1 ³ / ₄ " (Flexiframe to Flexiframe) |
| | C5 | 1372606 | 1348137 | 1348139 |
| | 8 ft | 1348107 | 1348138 | 1348140 |

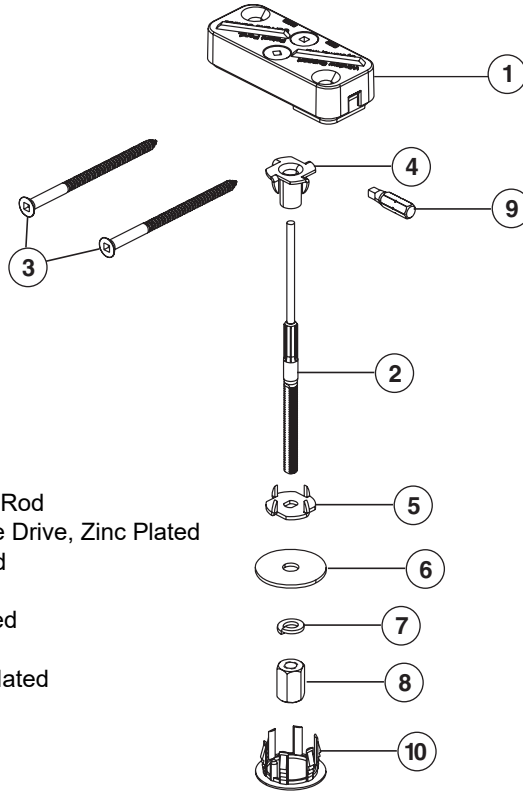
| Extension Jambs - Box Bay | | | | |
|--|----------|--------------------------------------|---------------------------------------|--------------------------------------|
| Extension Jamb - Box Bay 90° / Side (Pair) Ref. No. 18 page 78 | | | | |
| | Unit No. | 5 ¹ / ₄ " Wall | 6 ⁹ / ₁₆ " Wall | 7 ¹ / ₈ " Wall |
| | C3 | 1371302 | 1371410 | 1376804 |
| | C35 | 1371303 | 1371412 | 1376806 |
| | C4 | 1371304 | 1371414 | 1376808 |
| | C45 | 1354173 | 1354176 | 1354179 |
| | C5 | 1371306 | 1371416 | 1376810 |
| | C55 | 1354172 | 1354175 | 1354178 |
| | C6 | 1371308 | 1371418 | 1376812 |
| | 8 ft | 1354171 | 1354174 | 1354177 |

| Head and Seat Boards - Box Bay | | | | |
|--|----------|--------------------------------------|---------------------------------------|--------------------------------------|
| Head and Seat Boards - Box Bay 90° (Pair) Ref. No. 8 page 78 | | | | |
| | Unit No. | 5 ¹ / ₄ " Wall | 6 ⁹ / ₁₆ " Wall | 7 ¹ / ₈ " Wall |
| | C2-15 | 1370702 | 1370920 | 1376702 |
| | C3-15 | 1370704 | 1370922 | 1376704 |

| Platform - Box Bay | | |
|------------------------|----------|-----------|
| Platform - Box Bay 90° | | |
| | Unit No. | Order No. |
| | C2-15 | 1370802 |
| | C3-15 | 1370804 |

Box Bay Parts

Cable Support System - Box Bay



1. Cable Clamp
2. Cable with Swaged Threaded Rod
3. Screw - #12 x 3-1/4 #3 Square Drive, Zinc Plated
4. T-nut - .390 Barrel, Zinc Plated
5. Keyed T-washer - Zinc Plated
6. Flat Washer - 1-1/4, Zinc Plated
7. Lock Washer - Zinc Plated
8. Hex Nut - 1/4-28, .625, Zinc Plated
9. Square Drive Bit - #3
10. Nylon Hole Plug

Cable Support System - Box Bay

| | Length | Order No. |
|--|--------|-----------|
| | 9 ft | 1355020 |
| | 12 ft | 1355021 |

Notes

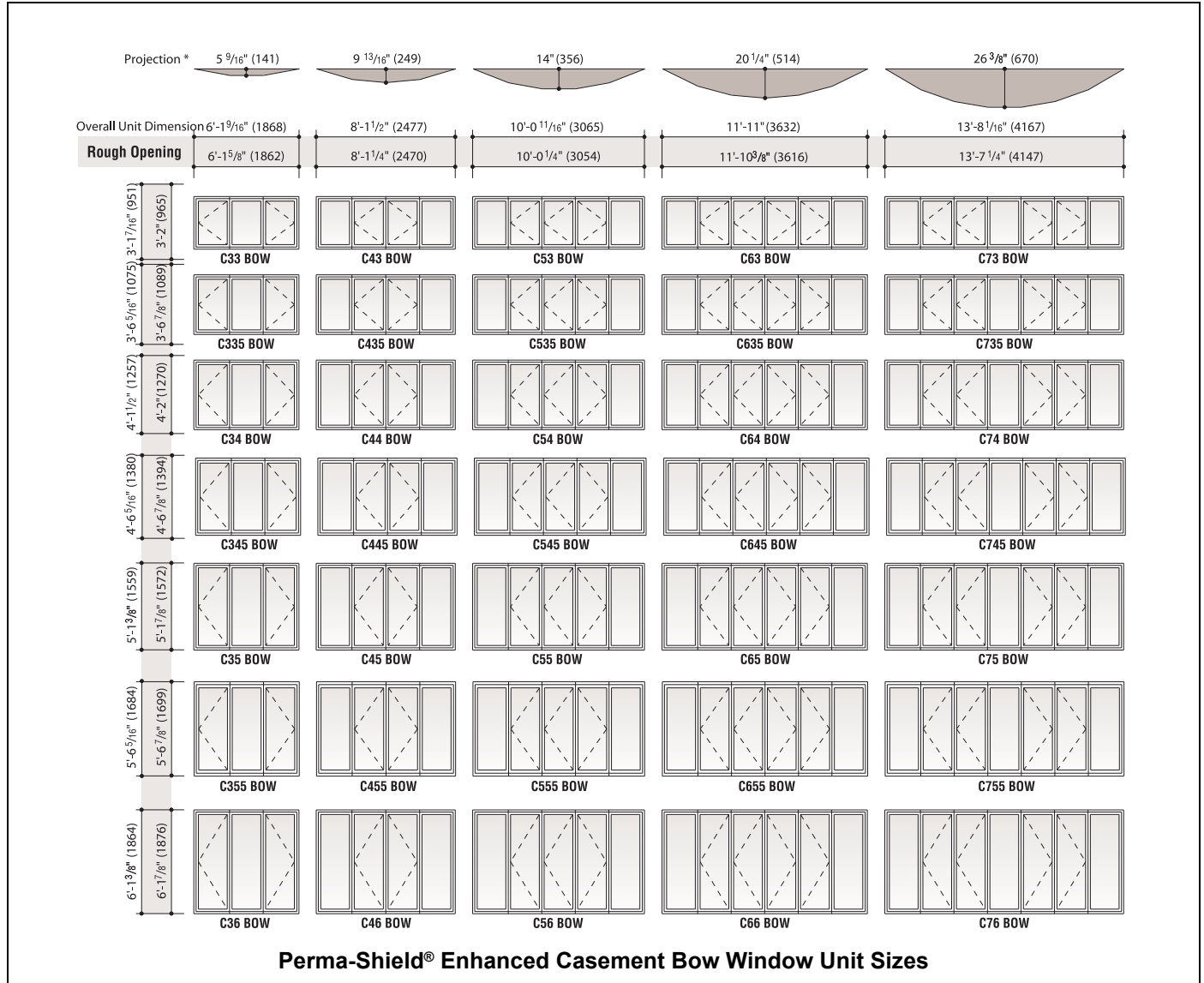
Perma-Shield® Enhanced Casement Windows (1995 to 1998)

Bow Windows

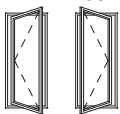
Unit Sizes

Note:

Bow Windows are assembled with multiple Casement Windows. Look in the Standard and Picture Window pages of this section for most replacement parts. Bow units use specially designed mullion posts, side flashing, and head/seat boards. Replacements for these and other special Bow parts are listed in the following pages.



VENT LAYOUT

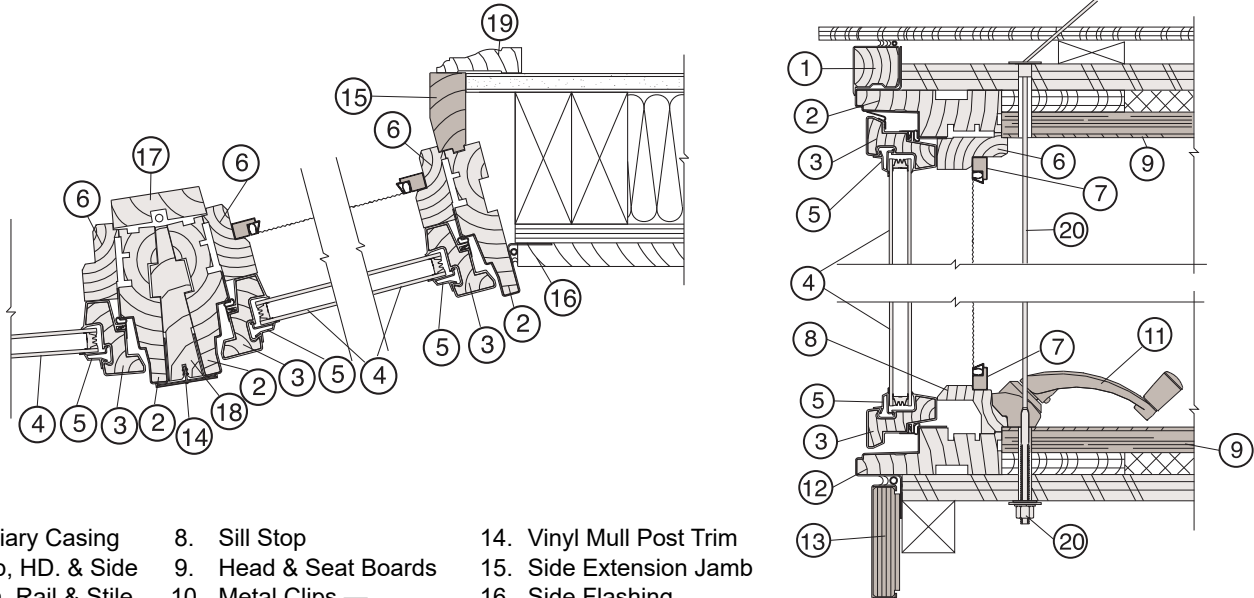


Left Hinged Right Hinged

Note:

Single sash indicates hinging left, right or stationary. Handing is viewed from exterior. Unit Dimension refers to overall outside-to-outside frame. Unobstructed Glass refers to visible glass dimensions. Numbers in parentheses are metric measurements.

Bow Window Parts

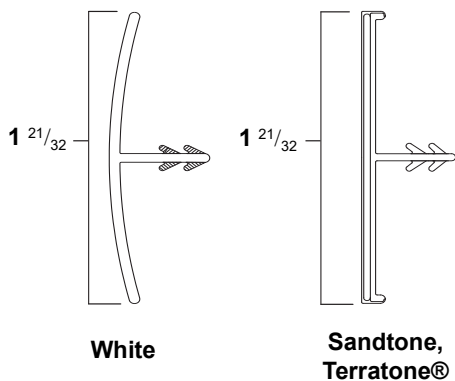


- 1. Auxiliary Casing
- 2. Jamb, HD. & Side
- 3. Sash, Rail & Stile
- 4. Glazing
- 5. Glazing Bead
- 6. Stop, HD. & Side
- 7. Insect Screen
- 8. Sill Stop
- 9. Head & Seat Boards
- 10. Metal Clips — Head & Seat Boards
- 11. Roto Operator
- 12. Sill
- 13. PS Laminated Board
- 14. Vinyl Mull Post Trim
- 15. Side Extension Jamb
- 16. Side Flashing
- 17. Mull Interior Trim
- 18. Mull Post (furnished by others)
- 19. Interior Casing (furnished by others)
- 20. Cable Support System

Perma-Shield® Enhanced Casement Bow Window Profiles

Joining Components - Bow

Exterior Trim Strip - Bow 10° / Mullion Post Ref. No. 14 [page 84](#)



| Unit No. | White | Terratone® | Sandtone |
|-------------|---------|------------|----------|
| C3 | 1354020 | 1454020 | 0608204 |
| C35 | 1354022 | 1454022 | 0608206 |
| C4 | 1354024 | 1454024 | 0608208 |
| C45 | 1354026 | 1454026 | 0608210 |
| C5 | 1354028 | 1454028 | 0608212 |
| C55 | 1354030 | 1454030 | 0608214 |
| C6 | 1354032 | 1454032 | 0608216 |
| 8 ft | 1354033 | 1454031 | 0608215 |

Perma-Shield® Enhanced Casement Windows (1995 to 1998)

Bow Windows

Bow Window Parts

| Interior Casing - Bow 10° / Mullion Post / 2 1/2" Ref. No. 17 _page 84 | | |
|--|----------|----------------|
| | Unit No. | Order No. |
| | C3 | 1353020 |
| | C35 | 1353022 |
| | C4 | 1353024 |
| | C45 | 1353026 |
| | C5 | 1353028 |
| | C55 | 1353030 |
| | C6 | 1353032 |
| | 8 ft | 1348145 |
| Mullion Post - Bow 10° Ref. No. 18 _page 84 | | |
| | Unit No. | Order No. |
| | C3 | 1353520 |
| | C35 | 1353522 |
| | C4 | 1353524 |
| | C45 | 1353526 |
| | C5 | 1353528 |
| | C55 | 1353530 |
| | C6 | 1353532 |
| | 8 ft | By description |

Bow Window Parts

Extension Jamb - Bow

Extension Jamb - Bow 10° / Side (Pair) Ref. No. 15 [page 84](#)

Note:

Unit number refers to number of units in bow window. A C5 head and seat board is used for a unit with 5 windows.

| Unit No. | Units Wide | 5 1/4" Wall | 6 9/16" Wall | 7 1/8" Wall |
|----------|------------|-------------|--------------|-------------|
| C3 | 3 | 1349101 | 1354402 | 1354102 |
| C35 | 3 | 1349110 | 1354412 | 1354112 |
| C4 | 3 | 1349201 | 1354422 | 1354122 |
| C45 | 3 | 1349230 | 1354452 | 1354152 |
| C5 | 3 | 1349210 | 1354432 | 1354132 |
| C55 | 3 | 1349240 | 1354462 | 1354162 |
| C6 | 3 | 1349220 | 1354442 | 1354142 |
| C3 | 4 | 1349102 | 1354404 | 1354104 |
| C35 | 4 | 1349112 | 1354414 | 1354114 |
| C4 | 4 | 1349202 | 1354424 | 1354124 |
| C45 | 4 | 1349232 | 1354454 | 1354154 |
| C5 | 4 | 1349212 | 1354434 | 1354134 |
| C55 | 4 | 1349242 | 1354464 | 1354164 |
| C6 | 4 | 1349222 | 1354444 | 1354144 |
| C3 | 5 | 1349104 | 1354406 | 1354106 |
| C35 | 5 | 1349114 | 1354416 | 1354116 |
| C4 | 5 | 1349204 | 1354426 | 1354126 |
| C45 | 5 | 1349234 | 1354456 | 1354156 |
| C5 | 5 | 1349214 | 1354436 | 1354136 |
| C55 | 5 | 1349244 | 1354466 | 1354166 |
| C6 | 5 | 1349224 | 1354446 | 1354146 |
| C3 | 6 | 1349106 | 1354408 | 1354108 |
| C35 | 6 | 1349116 | 1354418 | 1354118 |
| C4 | 6 | 1349206 | 1354428 | 1354128 |
| C45 | 6 | 1349236 | 1354458 | 1354158 |
| C5 | 6 | 1349216 | 1354438 | 1354138 |
| C55 | 6 | 1349246 | 1354468 | 1354168 |
| C6 | 6 | 1349226 | 1354448 | 1354148 |
| C3 | 7 | 1349108 | 1354410 | 1354110 |
| C35 | 7 | 1349118 | 1354420 | 1354120 |
| C4 | 7 | 1349208 | 1354430 | 1354130 |
| C45 | 7 | 1349238 | 1354460 | 1354160 |
| C5 | 7 | 1349218 | 1354440 | 1354140 |
| C55 | 7 | 1349248 | 1354470 | 1354170 |
| C6 | 7 | 1349228 | 1354450 | 1354150 |

Perma-Shield® Enhanced Casement Windows (1995 to 1998)

Bow Windows

Bow Window Parts

Head and Seat Boards - Bow

Head and Seat Boards - Bow 10° (Pair) Ref. No. 9 [page 84](#)

| | Unit No. | 5 1/4" Wall | 6 9/16" Wall | 7 1/8" Wall |
|--|-----------|-------------|--------------|-------------|
| | C3 | 1349408 | 1354302 | 1354202 |
| | C4 | 1349410 | 1354304 | 1354204 |
| | C5 | 1349414 | 1354306 | 1354206 |
| | C6 | 1349418 | 1354308 | 1354208 |
| | C7 | 1349420 | 1354310 | 1354210 |

Platform - Bow

Platform - Bow 10°

| | Unit No. | Order No. |
|--|-----------|-----------|
| | C3 | 1349308 |
| | C4 | 1349310 |
| | C5 | 1349314 |
| | C6 | 1349318 |
| | C7 | 1349320 |

Bow Parts

Exterior Mullion Flashing - Bow 10°

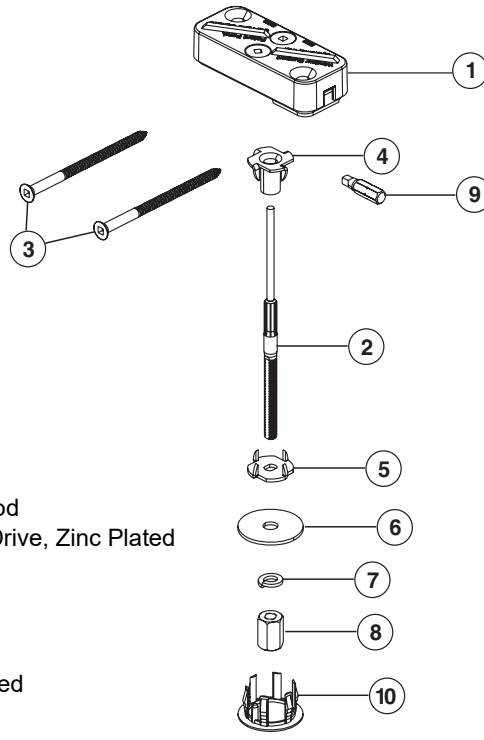
| | Width | Color | Order No. |
|--|-------|------------|-----------|
| | 6" | White | 1354528 |
| | | Terratone® | 1454528 |
| | | Sandtone | 0608406 |

Gusset Plate - Bow 10°

| | Order No. |
|--|-----------|
| | 1355508 |

Bow Window Parts

Cable Support System - Bow



1. Cable Clamp
2. Cable with Swaged Threaded Rod
3. Screw - #12 x 3-1/4 #3 Square Drive, Zinc Plated
4. T-nut - .390 Barrel, Zinc Plated
5. Keyed T-washer - Zinc Plated
6. Flat Washer - 1-1/4, Zinc Plated
7. Lock Washer - Zinc Plated
8. Hex Nut - 1/4-28, .625, Zinc Plated
9. Square Drive Bit - #3
10. Nylon Hole Plug

Cable Support System - Bow 10°

| | Length | Order No. |
|--|--------|-----------|
| | 9 ft | 1355020 |
| | 12 ft | 1355021 |

Perma-Shield® Enhanced Casement Windows (1995 to 1998)

Service Replacement

Service Replacement Only Parts

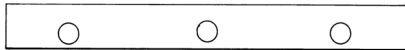
Service Replacement Only Parts

Note:

This section is specifically designed for parts that should only be ordered if a Territory Service Manager/Service Provider Company has requested them to be ordered or if the customer agrees to also pay for a non-warranty repair/replace service job (subject to availability) for these parts to be installed. We do not recommend anyone other than a trained AW employee or Service Provider install these parts due to the complexity of installation, modifications required for installation and/or requirement of special tools.

Hinge Shims

Hinge Channel Shim - Straight Arm Operator / 1/16"



Order No.

1357608

Hinge Channel Shim - Split Arm Operator

Order No.

1357612

Frames

Note:

Frames are not available.

Service Replacement Only Parts

Cartons

Cartons - Picture Window Sash

| Unit No. | Order No. | Unit No. | Order No. | Unit No. | Order No. |
|----------------------|-----------|----------------------|-----------|----------------------|-----------|
| A335 | 9071989 | CP305/AP530 | 9071962 | CP355/AP535 | 9071968 |
| CP23/AP32 | 9071971 | CP3055/AP5530 | 9071963 | CP3555/ P5535 | 9071969 |
| CP235/AP352 | 9071972 | CP306/AP630 | 9071964 | CP356/AP635 | 9071970 |
| CP24/AP42 | 9071973 | CP33/AP33 | 9071984 | CP503/AP350 | 9098429 |
| CP245/AP452 | 9071974 | CP335/AP353 | 9071985 | CP5035/AP3550 | 9071978 |
| CP25/AP52 | 9071975 | CP34/AP43 | 9071986 | CP504/AP450 | 9071979 |
| CP255/AP552 | 9071976 | CP345/AP453 | 9071987 | CP5045/AP4550 | 9071980 |
| CP26/AP62 | 9071977 | CP35/AP53 | 9071988 | CP505/AP550 | 9071981 |
| CP303/A330S | 9071965 | CP3535/A3535S | 9071990 | CP5055/AP5550 | 9071982 |
| CP304/AP430 | 9071960 | CP354/AP435 | 9071966 | CP506/AP650 | 9071983 |
| CP3045/AP4530 | 9071961 | CP3545/AP4535 | 9071967 | | |