

What's in This Section

Standard and Picture Windows	Page 1
Parts Illustration	1
Parts Illustration - Standard Window	1
Parts Illustration - Picture Window	2
Unit Sizes	3
Unit Size Chart - Standard Windows	3
Unit Size Chart - Picture Windows	4
Product History	5
Milestones	5
Sash	6
Sash Size Table	6
Sash Assembly	10
Sash - Standard Windows / High Performance	11
Sash - Standard Windows / Dual Pane	13
Sash - Picture Windows / High Performance	14
Sash - Picture Windows / Dual Pane	15
Sash Parts	16
Weatherstrip	17
Glazing Bead - Conversion Chart	19
Glazing Beads - Vinyl	20
Glass	21
Glass Size Table - Picture Windows	21
Glass - Picture Windows / High Performance	23
Glass - Picture Windows / Dual Pane	25
Insect Screens	27
Insect Screens - TruScene™ Screens	27
Insect Screens - Standard	29
Insect Screen Parts	30
Grilles	31
Interior Grille - Standard / Colonial / 3/4" Polycarbonate & Tycote	31
Interior Grille - Standard Window / Colonial / 3/4" Wood	32
Interior Grilles - Picture Windows / Colonial / 3/4" Wood	34
Interior Grille Parts	36
Hardware	37
Operator and Operator Parts	37
Operator Rods	38
Hinges	39

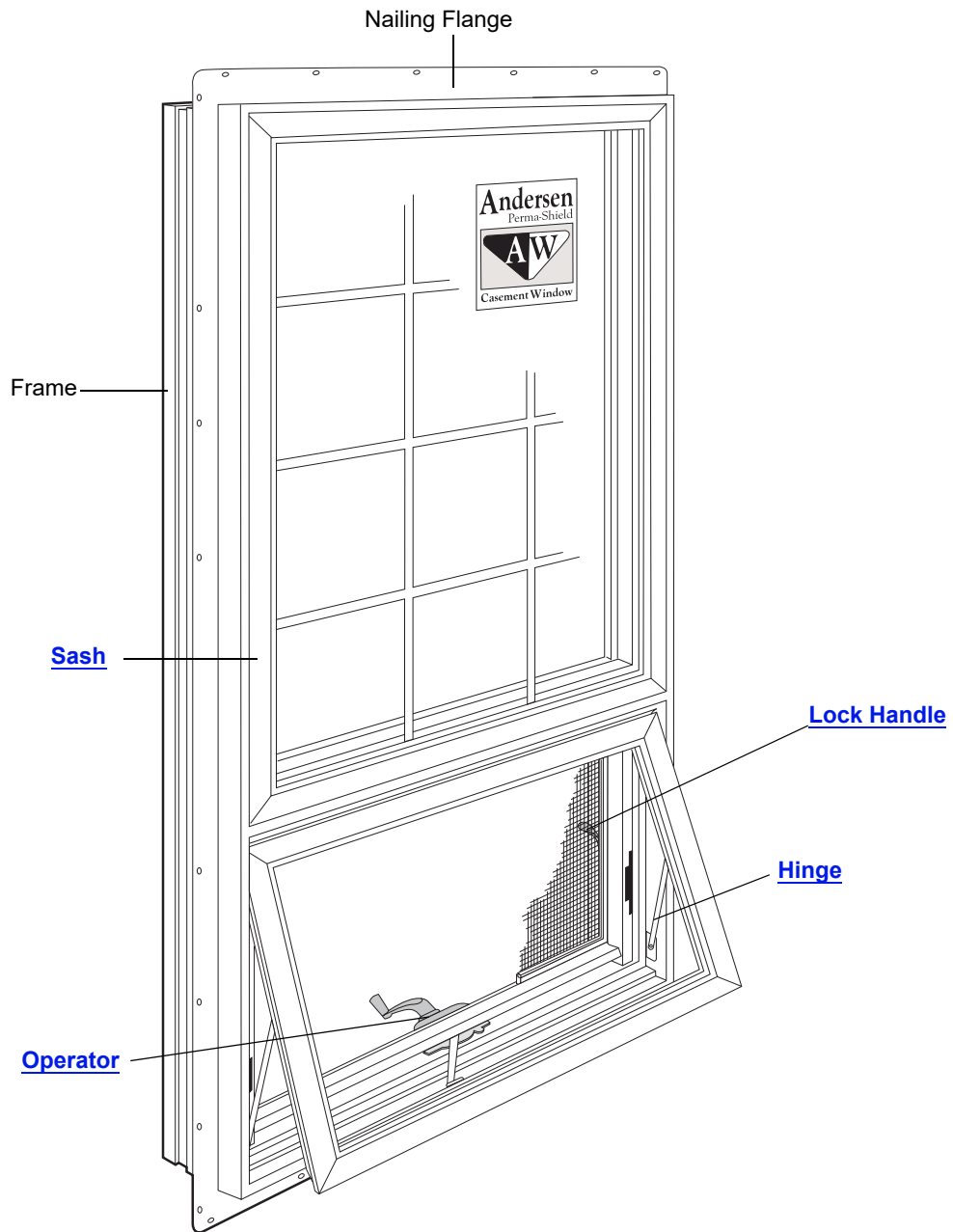
Electric Opener (1996 - 1998)	43
Operator Conversion Kits - Electric Opener (1996 - 1998)	45
Hardware Packs - Folding	46
Hardware Kits	46
Handles	47
Handle Parts	48
Hardware	48
Operator Covers	48
Locks and Lock Components	49
Frames	50
Frame Assembly - Standard Window	50
Head and Sill Stops	51
Side Stops	51
Stops - Picture Windows	52
Extension Jambs	54
Auxiliary Extension Jambs	54
Joining Components	55
Narrow Mullion	55
Factory Mullion - Inside Casing	56
Support Mullion	57
Reinforced Mull Joining Components - Steel	59
Reinforced Mull Joining Components - Aluminum	62
Art Glass Components	64
Art Glass	64
Art Glass Trim Stops	64
Art Glass Hardware	66
Service Replacement	Page 67
Service Replacement Only Parts	67
Service Replacement Only Parts	67
Cartons	67

Perma-Shield® Enhanced Awning Windows (1996 to 1998)

Standard and Picture Windows

Parts Illustration

Parts Illustration - Standard Window

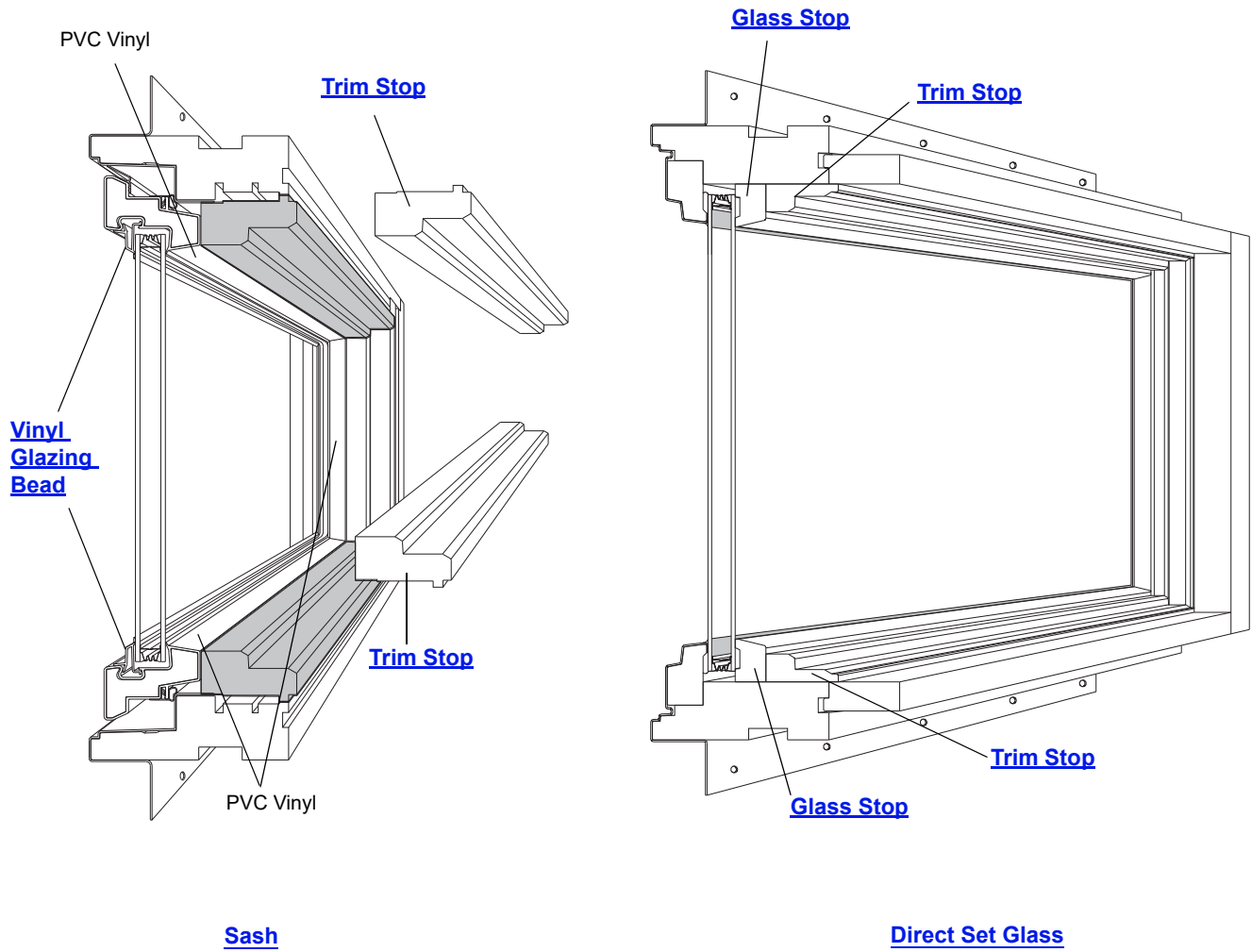


Manufactured 1996 to 1998

Perma-Shield® Enhanced Awning Window Unit Parts

Parts Illustration

Parts Illustration - Picture Window



Manufactured 1996 to 1998

Perma-Shield® Enhanced Casement Picture Window Unit Details (2 Types)

Perma-Shield® Enhanced Awning Windows (1996 to 1998)

Standard and Picture Windows

Unit Sizes

Unit Size Chart - Standard Windows

Note:
 Direction of hinging shown is standard. Unobstructed Glass refers to visible glass dimensions. Opening is viewed from exterior.
 Numbers in parentheses are metric measurements. Unit Dimension refers to overall outside-to-outside frame

Table of Basic Unit Sizes

Unit Dimension	2'-0 1/8"	2'-4 3/8"	2'-11 5/16"	3'-4 13/16"	4'-0"	4'-4 13/16"	4'-11 7/8"	5'-4 13/16"	5'-11 7/8"
Rough Opening	(613)	(721)	(913)	(1037)	(1219)	(1341)	(1521)	(1646)	(1826)
Unobstructed Glass	2'-0 5/8"	2'-4 7/8"	3'-0 1/2"	3'-5 3/8"	4'-0 1/2"	4'-5 3/8"	5'-0 3/8"	5'-5 3/8"	6'-0 3/8"
	(625)	(733)	(927)	(1051)	(1232)	(1356)	(1534)	(1661)	(1838)
	19 5/16"	23 9/16"	31 1/8"	36"	43 3/16"	48"	55 1/16"	60"	67 1/16"
	(491)	(598)	(791)	(914)	(1097)	(1219)	(1399)	(1524)	(1703)
1'-5"									
1'-8 1/2"									
2'-0 1/8"									
2'-4 3/8"									
2'-11 5/16"									
3'-4 3/4"									
4'-0"									
5'-11 7/8"									

Table of Basic Venting Picture Window Sizes

4'-0"			
5'-11 7/8"			

Perma-Shield® Enhanced Awning Standard Window Unit Sizes

Unit viewed from exterior.

Unit Sizes

Unit Size Chart - Picture Windows

Note:

Unit Dimension refers to overall outside-to-outside frame. Unobstructed Glass refers to visible glass dimensions. Numbers in parentheses are metric measurements. The gray shaded windows can be sash or direct set glass. To determine if window is a sash or direct set glass, examine interior glass edges as shown on [page 2](#). The sash picture window has vinyl against the glass. The direct set glass picture window has wood against the glass. See Perma-Shield Awning section for additional part numbers for replacement sash.

	Unit Dimension	2'-11 ⁵ / ₁₆ " (913)	3'-4 ¹³ / ₁₆ " (1037)	4'-0" (1219)	4'-4 ¹³ / ₁₆ " (1341)	4'-11 ⁷ / ₈ " (1521)	5'-4 ¹³ / ₁₆ " (1646)	5'-11 ⁷ / ₈ " (1826)	
	Rough Opening	3'-0 ¹ / ₂ " (927)	3'-5 ³ / ₈ " (1051)	4'-0 ¹ / ₂ " (1232)	4'-5 ³ / ₈ " (1356)	5'-0 ³ / ₈ " (1534)	5'-5 ³ / ₈ " (1660)	6'-0 ³ / ₈ " (1838)	
	Unobstructed Glass	31 ¹ / ₈ " (791)	36" (914)	43 ³ / ₁₆ " (1097)	48" (1219)	55 ¹ / ₁₆ " (1410)	60" (1524)	67 ¹ / ₂ " (1715)	
2'-11 ⁵ / ₁₆ " (913)	3'-0 ¹ / ₂ " (927)	31 ¹ / ₈ " (791)							
3'-4 ¹³ / ₁₆ " (1037)	3'-5 ³ / ₈ " (1051)	36" (914)							
4'-0" (1219)	4'-0 ¹ / ₂ " (1232)	43 ³ / ₁₆ " (1097)							
4'-4 ¹³ / ₁₆ " (1341)	4'-5 ³ / ₈ " (1356)	48" (1219)							
4'-11 ⁷ / ₈ " (1521)	5'-0 ³ / ₈ " (1534)	55 ¹ / ₁₆ " (1399)							
5'-4 ¹³ / ₁₆ " (1646)	5'-5 ³ / ₈ " (1660)	60" (1524)							
5'-11 ⁷ / ₈ " (1826)	6'-0 ³ / ₈ " (1838)	67 ¹ / ₁₆ " (1703)							

Perma-Shield® Enhanced Awning Picture Window Unit Sizes

Perma-Shield® Enhanced Awning Windows (1996 to 1998)

Standard and Picture Windows

Product History

Milestones	
1996	Sashless picture window introduced.

Sash

Sash Size Table

Sash Size Table - Standard Windows			
Unit No.	Overall Sash (w x h)	Unobstructed Glass (w x h)	Actual Glass (w x h)
AR2	22 ⁹ / ₁₆ × 15 ²⁷ / ₃₂	19 ⁹ / ₁₆ × 12 ⁵ / ₈	20 ³ / ₁₆ × 13 ¹⁵ / ₃₂
AR25	26 ¹³ / ₁₆ × 15 ²⁷ / ₃₂	23 ⁹ / ₁₆ × 12 ⁵ / ₈	24 ³ / ₁₆ × 13 ¹⁵ / ₃₂
AR3	34 ³ / ₈ × 15 ²⁷ / ₃₂	31 ¹ / ₈ × 12 ⁵ / ₈	32 × 13 ¹⁵ / ₃₂
AR35	39 ¹ / ₄ × 15 ²⁷ / ₃₂	36 × 12 ⁵ / ₈	36 ⁷ / ₈ × 13 ¹⁵ / ₃₂
AR4	46 ⁷ / ₁₆ × 15 ²⁷ / ₃₂	43 ³ / ₁₆ × 12 ⁵ / ₈	44 ¹ / ₁₆ × 13 ¹⁵ / ₃₂
AR45	51 ¹ / ₄ × 15 ²⁷ / ₃₂	48 × 12 ⁵ / ₈	48 ⁷ / ₈ × 13 ¹⁵ / ₃₂
AR5	58 ⁵ / ₁₆ × 15 ²⁷ / ₃₂	55 ¹ / ₁₆ × 12 ⁵ / ₈	55 ¹⁵ / ₁₆ × 13 ¹⁵ / ₃₂
AR55	63 ¹ / ₄ × 15 ²⁷ / ₃₂	60 × 12 ⁵ / ₈	60 ⁷ / ₈ × 13 ¹⁵ / ₃₂
AR6	70 ⁵ / ₁₆ × 15 ²⁷ / ₃₂	67 ¹ / ₁₆ × 12 ⁵ / ₈	67 ¹⁵ / ₁₆ × 13 ¹⁵ / ₃₂
AN2	22 ⁹ / ₁₆ × 19 ¹¹ / ₃₂	19 ⁹ / ₁₆ × 16 ¹ / ₈	20 ³ / ₁₆ × 16 ³¹ / ₃₂
AN25	26 ¹³ / ₁₆ × 19 ¹¹ / ₃₂	23 ⁹ / ₁₆ × 16 ¹ / ₈	24 ¹⁵ / ₃₂ × 16 ³¹ / ₃₂
AN3	34 ³ / ₈ × 19 ¹¹ / ₃₂	31 ¹ / ₈ × 16 ¹ / ₈	32 × 16 ³¹ / ₃₂
AN35	39 ¹ / ₄ × 19 ¹¹ / ₃₂	36 × 16 ¹ / ₈	36 ⁷ / ₈ × 16 ³¹ / ₃₂
AN4	46 ⁷ / ₁₆ × 19 ¹¹ / ₃₂	43 ³ / ₁₆ × 16 ¹ / ₈	44 ¹ / ₁₆ × 16 ³¹ / ₃₂
AN45	51 ¹ / ₄ × 19 ¹¹ / ₃₂	48 × 16 ¹ / ₈	48 ⁷ / ₈ × 16 ³¹ / ₃₂
AN5	58 ⁵ / ₁₆ × 19 ¹¹ / ₃₂	55 ¹ / ₁₆ × 16 ¹ / ₈	55 ¹⁵ / ₁₆ × 16 ³¹ / ₃₂
AN55	63 ¹ / ₄ × 19 ¹¹ / ₃₂	60 × 16 ¹ / ₈	60 ⁷ / ₈ × 16 ³¹ / ₃₂
AN6	70 ⁵ / ₁₆ × 19 ¹¹ / ₃₂	67 ¹ / ₁₆ × 16 ¹ / ₈	67 ¹⁵ / ₁₆ × 16 ³¹ / ₃₂
A2	22 ⁹ / ₁₆ × 22 ³¹ / ₃₂	19 ⁹ / ₁₆ × 19 ³ / ₄	20 ³ / ₁₆ × 20 ¹⁹ / ₃₂
A25	26 ¹³ / ₁₆ × 22 ³¹ / ₃₂	23 ⁹ / ₁₆ × 19 ³ / ₄	24 ¹⁵ / ₃₂ × 20 ¹⁹ / ₃₂
A3	34 ³ / ₈ × 22 ³¹ / ₃₂	31 ¹ / ₈ × 19 ³ / ₄	32 × 20 ¹⁹ / ₃₂
A330	34 ³ / ₈ × 34 ²⁵ / ₃₂	31 ¹ / ₈ × 31 ⁹ / ₁₆	32 × 32 ¹³ / ₃₂
A335	34 ³ / ₈ × 38 ¹⁹ / ₃₂	31 ¹ / ₈ × 36 ⁷ / ₁₆	32 × 37 ⁷ / ₃₂
A35	39 ¹ / ₄ × 22 ³¹ / ₃₂	36 × 19 ³ / ₄	36 ⁷ / ₈ × 20 ¹⁹ / ₃₂
A3535	39 ¹ / ₄ × 39 ¹ / ₄	36 × 36 ⁷ / ₁₆	36 ⁷ / ₈ × 37 ⁷ / ₃₂
A4	46 ⁷ / ₁₆ × 22 ³¹ / ₃₂	43 ³ / ₁₆ × 19 ³ / ₄	44 ¹ / ₁₆ × 20 ¹⁹ / ₃₂
A45	51 ¹ / ₄ × 22 ³¹ / ₃₂	48 × 19 ³ / ₄	48 ⁷ / ₈ × 20 ¹⁹ / ₃₂
A5	58 ⁵ / ₁₆ × 22 ³¹ / ₃₂	55 ¹ / ₁₆ × 19 ³ / ₄	55 ¹⁵ / ₁₆ × 20 ¹⁹ / ₃₂
A55	63 ¹ / ₄ × 22 ³¹ / ₃₂	60 × 19 ³ / ₄	60 ⁷ / ₈ × 20 ¹⁹ / ₃₂
A6	70 ⁵ / ₁₆ × 22 ³¹ / ₃₂	67 ¹ / ₁₆ × 19 ³ / ₄	67 ¹⁵ / ₁₆ × 20 ¹⁹ / ₃₂
AW2	22 ⁹ / ₁₆ × 27 ³¹ / ₃₂	19 ⁹ / ₁₆ × 24	20 ³ / ₁₆ × 24 ²⁷ / ₃₂
AW25	26 ¹³ / ₁₆ × 27 ³¹ / ₃₂	23 ⁹ / ₁₆ × 24	24 ³ / ₁₆ × 24 ²⁷ / ₃₂
AW3	34 ³ / ₈ × 27 ³¹ / ₃₂	31 ¹ / ₈ × 24	32 × 24 ²⁷ / ₃₂
AW35	39 ¹ / ₄ × 27 ³¹ / ₃₂	36 × 24	36 ⁷ / ₈ × 24 ²⁷ / ₃₂

Perma-Shield® Enhanced Awning Windows (1996 to 1998)

Standard and Picture Windows

Sash

Sash Size Table - Standard Windows			
Unit No.	Overall Sash (w x h)	Unobstructed Glass (w x h)	Actual Glass (w x h)
AW4	46 ⁷ / ₁₆ × 27 ³¹ / ₃₂	43 ³ / ₁₆ × 24	44 ¹ / ₁₆ × 24 ²⁷ / ₃₂
AW45	51 ¹ / ₄ × 27 ⁷ / ₃₂	48 × 24	48 ⁷ / ₈ × 24 ²⁷ / ₃₂
AW5	58 ⁵ / ₁₆ × 27 ³¹ / ₃₂	55 ¹ / ₁₆ × 24	55 ¹⁵ / ₁₆ × 24 ²⁷ / ₃₂
AW55	63 ¹ / ₄ × 27 ⁷ / ₃₂	60 × 24	60 ⁷ / ₈ × 24 ²⁷ / ₃₂
AW6	69 ¹⁷ / ₃₂ × 27 ⁷ / ₃₂	67 ¹ / ₁₆ × 24	67 ¹⁵ / ₁₆ × 24 ²⁷ / ₃₂
AXW3	34 ³ / ₈ × 34 ²⁵ / ₃₂	31 ¹ / ₈ × 31 ⁹ / ₁₆	32 × 32 ¹³ / ₃₂
AXW35	39 ¹ / ₄ × 34 ²⁵ / ₃₂	36 × 31 ⁹ / ₁₆	36 ⁷ / ₈ × 32 ¹³ / ₃₂
AXW4	46 ⁷ / ₁₆ × 34 ²⁵ / ₃₂	43 ³ / ₁₆ × 31 ⁹ / ₁₆	44 ¹ / ₁₆ × 32 ¹³ / ₃₂
AXW45	51 ¹ / ₄ × 34 ²⁵ / ₃₂	48 × 31 ⁹ / ₁₆	48 ⁷ / ₈ × 32 ¹³ / ₃₂
AXW5	58 ⁵ / ₁₆ × 34 ²⁵ / ₃₂	55 ¹ / ₁₆ × 31 ⁹ / ₁₆	55 ¹⁵ / ₁₆ × 32 ¹³ / ₃₂
AXW55	63 ¹ / ₄ × 34 ²⁵ / ₃₂	60 × 31 ⁹ / ₁₆	60 ⁷ / ₈ × 32 ¹³ / ₃₂
AXW6	70 ⁵ / ₁₆ × 34 ²⁵ / ₃₂	67 ¹ / ₁₆ × 31 ⁹ / ₁₆	67 ¹⁵ / ₁₆ × 32 ¹³ / ₃₂
AP32	34 ³ / ₈ × 46 ²⁷ / ₃₂	31 ¹ / ₈ × 43 ⁵ / ₈	32 × 44 ¹⁵ / ₃₂
AP32V	34 ³ / ₈ × 46 ²⁷ / ₃₂	31 ¹ / ₈ × 43 ⁵ / ₈	32 × 44 ¹⁵ / ₃₂
AP352	39 ¹ / ₄ × 46 ²⁷ / ₃₂	36 × 43 ⁵ / ₈	36 ⁷ / ₈ × 44 ¹⁵ / ₃₂
AP42	46 ⁷ / ₁₆ × 46 ²⁷ / ₃₂	43 ³ / ₁₆ × 43 ⁵ / ₈	44 ¹ / ₁₆ × 44 ¹⁵ / ₃₂
AP42V	46 ⁷ / ₁₆ × 46 ²⁷ / ₃₂	43 ³ / ₁₆ × 43 ⁵ / ₈	44 ¹ / ₁₆ × 44 ¹⁵ / ₃₂

Sash

Glass Size Table - Picture Windows
Note:

Picture Windows use replacement glass only. They do not have a sash.

Unobstructed Glass is dimension from outside edge to outside edge of visible glass only.

Actual Glass is dimension of outside edge to outside edge of glass, including glass that is not visible.

Unit No.	Unobstructed Glass (w x h)	Actual Glass (w x h)
P3030	31 1/8 × 31 1/8	32 21/32 × 32 21/32
P3035	31 1/8 × 36	32 21/32 × 37 17/32
P3040	31 1/8 × 43 3/16	32 21/32 × 44 23/32
P3045	31 1/8 × 48	32 21/32 × 49 17/32
P3050	31 1/8 × 55 1/16	32 21/32 × 56 19/32
P3055	31 1/8 × 60	32 21/32 × 61 17/32
P3060	31 1/8 × 67 1/16	32 21/32 × 68 19/32
P3530	36 × 31 1/8	37 17/32 × 32 21/32
P3535	36 × 36	37 17/32 × 37 17/32
P3540	36 × 43 3/16	37 17/32 × 44 23/32
P3545	36 × 48	37 17/32 × 49 17/32
P3550	36 × 55 1/16	37 17/32 × 56 19/32
P3555	36 × 60	37 17/32 × 61 17/32
P3560	36 × 67 1/16	37 17/32 × 68 19/32
P4030	43 3/16 × 31 1/8	44 23/32 × 32 21/32
P4035	43 3/16 × 36	44 23/32 × 37 17/32
P4040	43 3/16 × 43 3/16	44 23/32 × 44 23/32
P4045	43 3/16 × 48	44 23/32 × 49 17/32
P4050	43 3/16 × 55 1/16	44 23/32 × 56 19/32
P4055	43 3/16 × 60	44 23/32 × 61 17/32
P4060	43 3/16 × 67 1/16	44 23/32 × 68 19/32
P4530	48 × 31 1/8	49 17/32 × 32 21/32
P4535	48 × 36	49 17/32 × 37 17/32
P4540	48 × 43 3/16	49 17/32 × 44 23/32
P4545	48 × 48	49 17/32 × 49 17/32
P4550	48 × 55 1/16	49 17/32 × 56 19/32
P4555	48 × 60	49 17/32 × 61 17/32
P4560	48 × 67 1/16	49 17/32 × 68 19/32
P5030	55 1/2 × 31 1/8	56 19/32 × 32 21/32
P5035	55 1/2 × 36	56 19/32 × 37 17/32
P5040	55 1/2 × 43 3/16	56 19/32 × 44 23/32
P5045	55 1/2 × 48	56 19/32 × 49 17/32
P5050	55 1/2 × 55 1/16	56 19/32 × 56 19/32
P5055	55 1/2 × 60	56 19/32 × 61 17/32

Perma-Shield® Enhanced Awning Windows (1996 to 1998)

Standard and Picture Windows

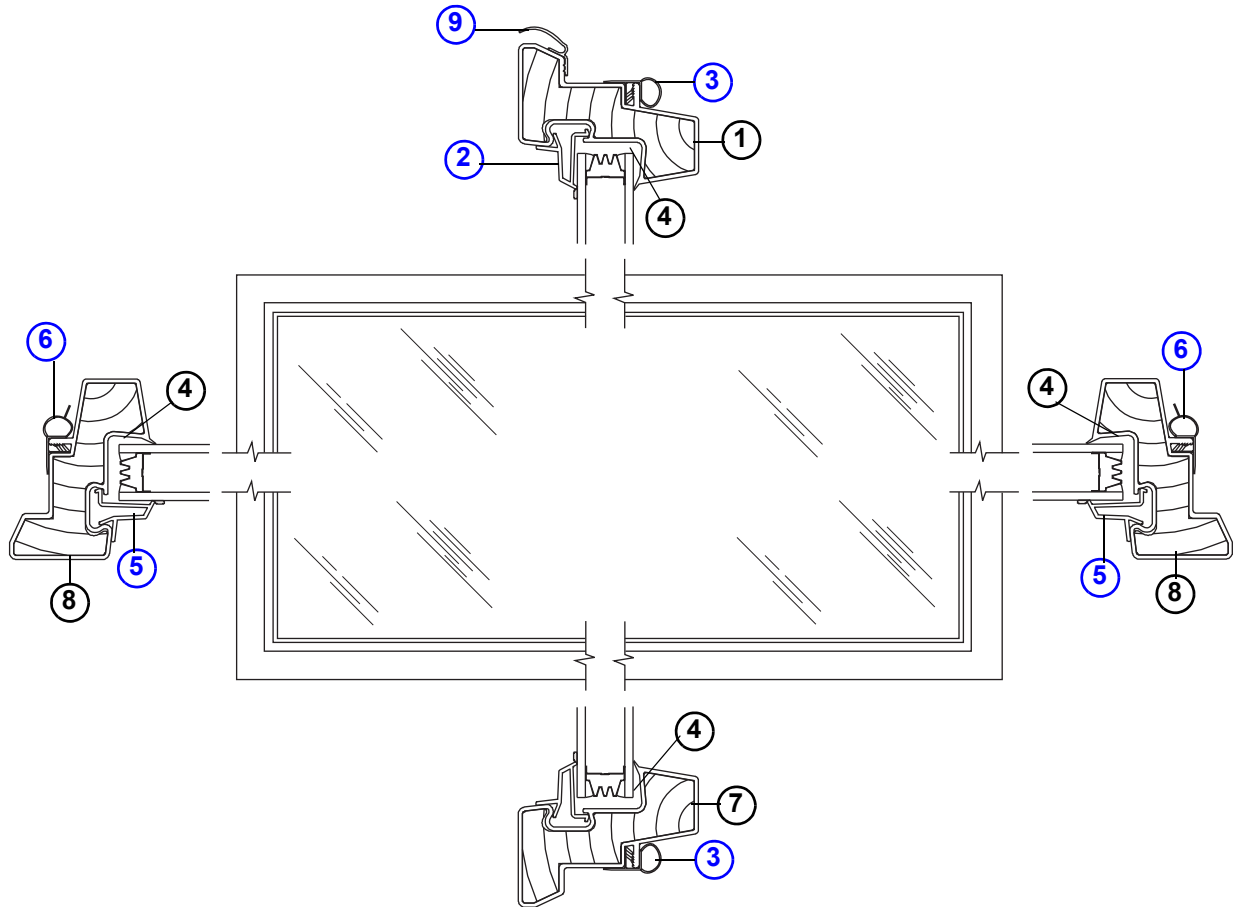
Sash

Glass Size Table - Picture Windows		
Note: Picture Windows use replacement glass only. They do not have a sash. Unobstructed Glass is dimension from outside edge to outside edge of visible glass only. Actual Glass is dimension of outside edge to outside edge of glass, including glass that is not visible.		
Unit No.	Unobstructed Glass (w x h)	Actual Glass (w x h)
P5060	55 1/2 × 67 1/16	56 19/32 × 68 19/32
P5530	60 × 31 1/8	61 17/32 × 32 21/32
P5535	60 × 36	61 17/32 × 37 17/32
P5540	60 × 43 3/16	61 17/32 × 44 23/32
P5545	60 × 48	61 17/32 × 49 17/32
P5550	60 × 55 1/16	61 17/32 × 56 19/32
P6030	67 1/2 × 31 1/8	68 19/32 × 32 21/32
P6035	67 1/2 × 36	68 19/32 × 37 17/32
P6040	67 1/2 × 43 3/16	68 19/32 × 44 23/32
P6045	67 1/2 × 48	68 19/32 × 49 17/32
P6050	67 1/2 × 55 1/16	68 19/32 × 56 19/32

Sash Size Table - Picture Window			
Note: Picture units with sash were made until August 1997.			
Unit No.	Overall Sash (w x h)	Unobstructed Glass (w x h)	Actual Glass
AP32	34 3/8 × 46 27/32	31 1/8 × 43 5/8	32 × 44 15/32
AP32V	34 3/8 × 46 27/32	31 1/8 × 43 5/8	32 × 44 15/32
AP33	34 3/8 × 70 23/32	31 1/8 × 67 1/2	32 × 68 11/32
AP352	39 1/4 × 46 27/32	36 × 43 5/8	36 7/8 × 44 15/32
AP353	39 1/4 × 70 23/32	36 × 67 1/2	36 7/8 × 68 11/32
AP42	46 7/16 × 46 27/32	43 3/16 × 43 5/8	44 1/16 × 44 15/32
AP42V	46 7/16 × 46 27/32	43 3/16 × 43 5/8	44 1/16 × 44 15/32
AP43	46 7/16 × 70 23/32	43 3/16 × 67 1/2	44 1/16 × 68 11/32
AP452	51 1/4 × 46 27/32	48 × 43 5/8	48 7/8 × 44 15/32
AP530	58 5/16 × 34 25/32	55 1/16 × 31 9/16	55 15/16 × 32 15/16
AP530V	58 5/16 × 34 25/32	55 1/16 × 31 9/16	55 15/16 × 32 15/16
AP52	58 5/16 × 46 27/32	55 1/16 × 43 5/8	55 15/16 × 44 15/32
AP550	58 5/16 × 58 23/32	55 1/16 × 55 1/2	55 15/16 × 56 11/32
AP53	58 5/16 × 70 23/32	55 1/16 × 67 1/2	55 15/16 × 68 11/32
AP552	63 1/4 × 46 27/32	60 × 43 5/8	60 7/8 × 44 15/32

Sash

Sash Assembly



1. Top Rail
2. [Glazing Beads-Rail](#)
3. [Weatherstrips-Rail](#)
4. Silicone Glazing
5. [Glazing Beads-Stile](#)
6. [Weatherstrips-Stile](#)
7. Bottom Rail
8. Stile
9. [Water Bar Weatherstrip](#)

Perma-Shield® Enhanced Awning Sash

Unit viewed from exterior.

Perma-Shield® Enhanced Awning Windows (1996 to 1998)

Standard and Picture Windows

Sash

Sash - Standard Windows / High Performance

Note:

Replacement vent sash is dimpled for hardware and has notches to accommodate colonial pattern polycarbonate/vinyl removable grilles..
Order stationary sash clips separately. Finelight sash are not notched.

See [Service Guide 0003910](#) for venting sash replacement. See [Service Guide 0005111](#) for stationary sash replacement.

Sash - Standard Window / High-Performance-Low-E4®

Unit No.	White	Terratone®	Sandtone	Unit No.	White	Terratone®	Sandtone
AR2	1527665	2132629	0638702	A35	1527654	2132654	0638742
AR25	1527735	2106434	0609417	A3535V	1527655	2132656	0638744
AR3	1527669	2132636	0638704	A4	1527662	2132662	0638746
AR35	1527671	2132648	0638706	A45	1527676	2132668	0638748
AR4	1527673	2132657	0638708	A5	1527681	2132676	0638750
AR45	1527693	By description	0638709	A55	1527685	2132681	By description
AR5	1527679	2132672	0638712	A6	1527691	2132691	0638754
AR55	1527695	2132683	By description	AW2	1527668	2132635	0638756
AR6	1527688	2132685	0638716	AW25	1527736	2106435	0609418
AN2	1527667	2132631	0638718	AW3	1527643	2132643	0638758
AN25	1527734	2106433	0609416	AW35	1527672	2132655	0638760
AN3	1527638	2132638	0638720	AW4	1527664	2132664	0638762
AN35	1527650	2132650	0638722	AW45	1527677	2132671	0638764
AN4	1527658	2132658	0638724	AW5	1527683	2132677	0638766
AN45	1527675	2132667	By description	AW55	1527687	By description	By description
AN5	1527680	2132673	0638728	AW6	1527692	2132692	0638770
AN55	1527684	By description	By description	AXW3	1527696	2106436	0639421
AN6	1527689	2132688	0638732	AXW35	1527697	2106437	0639422
A2	1527634	2132634	0638734	AXW4	1527698	2106438	0639423
A25	1527733	2106455	0609415	AXW45	By description	By description	By description
A3	1527642	2132642	0638736	AXW5	1527701	2106440	By description
A330V	1527644	2132644	0638738	AXW55	By description	By description	By description
A330S	1337944	1440603	By description	AXW6	By description	By description	By description
A335V	1527646	2132646	0638740				

Sash - Standard Window / High-Performance-Low-E4® Tempered

Unit No.	White	Terratone®	Sandtone	Unit No.	White	Terratone®	Sandtone
AR2	1529018	2106518	0638902	A330S	By description	By description	By description
AR3	1529024	2106524	0638904	A330V	By description	By description	By description
AR35	1529026	By description	0638906	A335V	1529008	2106508	By description
AR4	1529030	2106530	By description	A35	1529012	2106512	By description
AR45	1529031	2106531	By description	A3535V	1529013	By description	By description
AR5	1529038	2106538	By description	A4	1529016	2106516	0638946
AR55	By description	By description	By description	A45	By description	2106534	0638948
AR6	1529052	By description	By description	A5	1529042	2106542	0638950
AN2	1529020	2106520	0638918	A55	By description	By description	By description
AN3	1529004	2106504	0638920	A6	1529056	By description	0638954
AN35	1529010	2106510	0638922	AW2	1529022	By description	0638956
AN4	1529014	2106514	0638924	AW3	1529005	By description	0638958
AN45	1529032	By description	By description	AW35	1529028	By description	0638960
AN5	By description	By description	By description	AW4	1529017	By description	0638962
AN55	By description	By description	By description	AW45	1529036	By description	By description
AN6	By description	2106554	By description	AW5	1529044	By description	0638966
A2	1529002	2106502	0638934	AW55	By description	By description	By description
A3	1529006	2106506	0638936	AW6	By description	By description	By description

Sash

Sash - Standard Window / High-Performance™ Sun II

Note:
Available by description.

Sash - Standard Window / High-Performance™ Sun II Tempered

Note:
Available by description.

Sash - Standard Window / High Performance Low-E4® Finelight

Unit No.	White	Sandtone	Unit No.	White	Sandtone
AR2	1559407	0608487	A3535V	1559451	By description
AR25	1559408	0608488	A4	1559429	0608475
AR3	1559409	0608489	A45	1559430	By description
AR35	1559410	By description	A5	1559431	0608477
AR4	1559411	0608491	A55	1559432	By description
AR45	1559412	By description	A6	1559433	By description
AR5	1559413	By description	AW2	1559434	By description
AR55	By description	By description	AW25	1559435	0608495
AR6	1559415	By description	AW3	1559436	0608496
AN2	1559416	By description	AW35	1559437	By description
AN25	1559417	0608481	AW4	1559438	0608498
AN3	1559418	0608482	AW45	1559439	By description
AN35	1559419	By description	AW5	1559440	By description
AN4	1559420	By description	AW55	1559441	By description
AN45	By description	By description	AW6	1559442	By description
AN5	By description	By description	AXW3	1559443	0608502
AN55	By description	By description	AXW35	1559444	By description
AN6	1559424	By description	AXW4	By description	By description
A2	1559425	0608471	AXW45	By description	By description
A25	1559426	0608472	AXW5	By description	By description
A3	1559427	0608473	AXW55	By description	By description
A35	1559428	0608474	AXW6	By description	By description

Perma-Shield® Enhanced Awning Windows (1996 to 1998)

Standard and Picture Windows

Sash

Sash - Standard Windows / Dual Pane

Note:

Replacement vent sash is dimpled for hardware and has notches to accommodate colonial pattern polycarbonate/vinyl removable grilles. Stationary sash ships without clips, see [page 16](#). All sash are notched for grilles except sizes A330, A335 and A3535. Sizes shown in size grid (see [page 3](#)) that are not part numbered are available by description.

See [Service Guide 0003910](#) for venting sash replacement.

See [Service Guide 0005111](#) for stationary sash replacement.

Sash - Standard Window / Dual Pane

Unit No.	White	Terratone®	Sandtone	Unit No.	White	Terratone®	Sandtone
AR2	By description	By description	0608417	A3	1506308	2106308	0608409
AR25	By description	By description	By description	A330V	1506330	2106318	By description
AR3	By description	By description	By description	A330S	1346546	By description	By description
AR35	By description	By description	By description	A335V	1506332	2106332	By description
AR4	By description	By description	By description	A35	1506344	2106344	By description
AR45	By description	By description	By description	A3535V	By description	By description	By description
AR5	By description	By description	By description	A4	1506312	2106312	0608414
AR55	By description	By description	By description	A45	By description	By description	By description
AR6	By description	By description	By description	A5	By description	By description	By description
AN2	By description	By description	By description	A55	By description	By description	By description
AN25	By description	By description	By description	A6	By description	By description	By description
AN3	1506340	2106340	By description	AW2	By description	By description	By description
AN35	1506342	2106342	By description	AW25	By description	By description	By description
AN4	1506346	2106346	By description	AW3	1506310	2106310	0608421
AN45	By description	By description	By description	AW35	By description	By description	By description
AN5	By description	By description	By description	AW4	1506316	2106316	By description
AN55	By description	By description	By description	AW45	By description	By description	By description
AN6	By description	By description	By description	AW5	By description	By description	By description
A2	1506338	2106338	0608407	AW55	By description	By description	By description
A25	1507335	By description	0608466	AW6	By description	By description	By description

Sash

Sash - Picture Windows / High Performance

Note:

Sizes shown in size grid (see [page 4](#)) that are not part numbered are available by description. To determine if window is a sash or direct set glass, examine interior glass edges as shown on [page 2](#). Clips/fasteners included for stationary sash.

See [Service Guide 0005111](#) for picture window sash replacement.

Sash - Picture Window / High Performance Low-E4®

Unit No.	White	Terratone®	Sandtone	Unit No.	White	Terratone®	Sandtone
AP32	1337908	1440608	0608672	AP43	1337936	1440636	0608692
AP32V	1527108	2132108	0639204	AP452	1337918	1440618	0608678
AP33	1337928	1440628	0608688	AP530	1337904	1440604	0608668
A3535S	1337946	1440606	By description	AP530V	1527104	2132104	By description
AP352	1337912	1440612	0608674	AP52	1337920	1440620	0608680
AP352V	1527112	2132112	0639208	AP550	1337950	1440626	0608686
AP353	1337932	1440632	0608690	AP53	1337940	1440640	0608696
AP42	1337916	1440616	0608676	AP552	1337922	1440622	By description
AP42V	1527116	2132116	0639212				

Sash - Picture Window / High Performance Low-E4® Tempered

Unit No.	White	Terratone®	Sandtone	Unit No.	White	Terratone®	Sandtone
AP32	1346342	1441143	By description	AP43	1346356	1441156	By description
AP32V	1527224	2132224	By description	AP452	By description	By description	By description
AP33	1346352	1441152	By description	AP530	By description	1441140	By description
A3535	By description	By description	By description	AP530V	By description	By description	By description
AP352	By description	By description	By description	AP52	1346348	1441149	By description
AP352V	By description	2132228	By description	AP550	By description	By description	By description
AP353	By description	By description	By description	AP53	1346358	1441158	By description
AP42	1346346	1441146	By description	AP552	By description	By description	By description
AP42V	1527230	2132232	0639412				

Sash - Picture Window / High-Performance Sun II

Note:

Complete sash for standard windows with High-Performance Sun II glass is available. Order by description.

Sash - Picture Window / High-Performance Sun II Tempered

Note:

Complete sash for standard windows with High-Performance Sun II tempered glass is available. Order by description.

Perma-Shield® Enhanced Awning Windows (1996 to 1998)

Standard and Picture Windows

Sash

Sash - Picture Windows / Dual Pane

Note:

Sizes shown in size grid (see [page 4](#)) that are not part numbered are available by description. To determine if window is a sash or direct set glass, examine interior glass edges as shown on [page 2](#). Clips/fasteners included for stationary sash.

See [Service Guide 0005111](#) for picture window sash replacement.

Sash - Picture Window / Dual Pane

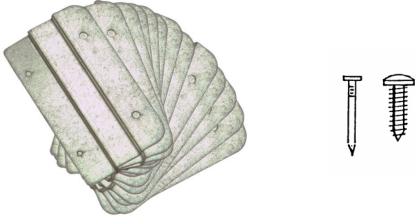
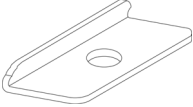
Unit No.	White	Terratone®	Sandtone	Unit No.	White	Terratone®	Sandtone
AP32	1346520	1446520	By description	AP43	1346532	1446532	By description
AP32V	1527008	2132008	By description	AP452	By description	By description	By description
AP33	1346524	1446524	By description	AP530	1346544	1446544	By description
A3535	1346548	1446548	By description	AP530V	By description	By description	By description
AP352	1346526	1446526	By description	AP52	1346536	1446536	By description
AP352V	1527012	By description	By description	AP550	By description	By description	By description
AP353	1346530	1446530	By description	AP53	1346534	1446534	By description
AP42	1346528	1446528	By description	AP552	By description	By description	By description
AP42V	By description	2132016	By description				

Sash - Picture Window / Dual Pane Tempered

Note:

Complete sash for standard windows with Dual Pane tempered glass is available. Order by description.

Sash

Sash Parts		
Stationary Sash Clip Package		
	<p>Package Includes: (12) clips (24) screws (36) nails</p>	<p>Order No. 1359410</p>
Stationary Sash Clip		
	<p>Includes: Single clip, screw, nails</p>	<p>Order No. 1525012</p>
Snugger Interlock Kit		
	<p>Kit Includes: Instruction sheet (2) #8 -15 x 3/8" (2) snugger interlock</p>	<p>Order No. 1351341</p>
Screw - Snugger Interlock		
	<p style="text-align: center;">Description</p> <p>#8-15 x 3/8" PH TR 302</p> <p>Note: Use this screw to apply the snugger interlock to the head jamb on the following units: AX451V through AX61V, AXW, H51V through AXW61V, AP32V, AP352V, and AP42V.</p>	<p>Order No. 3629006</p>

Perma-Shield® Enhanced Awning Windows (1996 to 1998)

Standard and Picture Windows

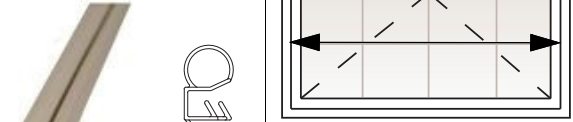
Sash

Weatherstrip

Weatherstrip (Pair) No. 6 [page 10](#)

Note:

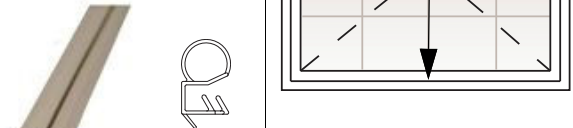
This weatherstrip replaces all previous vintages of “kerf style” weatherstrip. Weatherstrip is pressure fit; no adhesive is required. Replace all four pieces (two rails, two stiles) on each sash.

	Unit No.	Dimensions	White	Gray
	AR1	14 ³¹ / ₃₂	1362306	1461206
	AN1	18 ¹⁵ / ₃₂	1362312	1461212
	A1	22 ³ / ₃₂	1362308	1461208
	AW1	26 ¹¹ / ₃₂	1362310	1461210
	AX	29 ¹⁵ / ₃₂	1362313	1461213
	AXW1/AP30	33 ²⁹ / ₃₂	1526112	2108008
	A35	38 ²³ / ₃₂	1526110	2108006
	AP2	45 ³¹ / ₃₂	1526114	2108010

Weatherstrip (Pair) No. 3 [page 10](#)

Note:


This weatherstrip replaces all previous vintages of “kerf style” weatherstrip. Weatherstrip is pressure fit; no adhesive is required. Replacement piece is notched on each side. Replace all four pieces (two rails, two stiles) on each sash.

	Unit No.	Dimensions	White	Gray
	A2	21 ²¹ / ₃₂	1362406	1461306
	A25	25 ²⁹ / ₃₂	1362407	1461307
	A3	33 ¹ / ₂	1362408	1461308
	A35	38 ³ / ₈	1362410	1461312
	A4	45 ⁹ / ₁₆	1362412	1461316
	A45	50 ³ / ₈	1362413	1461318
	A5	57 ⁷ / ₁₆	1362414	1461320
	A55	62 ³ / ₈	1362415	1461322
A6	69 ⁷ / ₁₆	1362416	1461324	


Weatherstrip - Water Bar

Note:

Waterbar is adhered with [vinyl-to-vinyl adhesive](#).

	Unit No.	Dimensions	White	Gray
	A2	22 ¹ / ₂	1526306	2110002
	A25	26 ³ / ₄	1526307	2110003
	A3	34 ⁵ / ₁₆	1526308	2110004
	A35	39 ³ / ₁₆	1526309	2110006
	A4/AP2	46 ³ / ₈	1526310	2110008
	A45	51 ³ / ₁₆	1526316	2110016
	A5	58 ¹ / ₄	1526312	2110010
	A55	63 ³ / ₁₆	1526318	2110018
A6/AP3	70 ¹ / ₄	1526320	2110020	

Adhesive - Vinyl-to-Vinyl / Clear

	2 Ounce	1 Pint
	1357007	1357012

Sash

Weatherstrip - Black Foam		Order No.
 <small>parts.andersenwindows.com</small>		<u>2962027</u>

Perma-Shield® Enhanced Awning Windows (1996 to 1998)

Standard and Picture Windows

Sash

Glazing Bead - Conversion Chart

Glazing Bead Conversion Chart

Note:

Enhanced Awning Windows use Perma-Shield Casement vinyl glazing beads. Use the following conversion chart to select the correct bead for your window.

* A335 is the only Awning unit that does not use Casement beads.

Unit No.	Rail	Stile	Unit No.	Rail	Stile
AR21	C2	CR1	A351	C35	C1
AR31	C3	CR1	A41	C4	C1
AR351	C35	CR1	A451	C45	C1
AR41	C4	CR1	A51	C5	C1
AR451	C45	CR1	A551	C55	C1
AR51	C5	CR1	A61	C6	C1
AR551	C55	CR1	AW21	C2	CW1
AR61	C6	CR1	AW31	C3	CW1
AN21	C2	CN1	AW351	C35	CW1
AN31	C3	CN1	AW41	C4	CW1
AN351	C4	CN1	AW451	C45	CW1
AN41	C4	CN1	AW51	C5	CW1
AN451	C45	CN1	AW551	C55	CW1
AN51	C5	CN1	AW61	C6	CW1
AN551	C55	CN1	A335*	C3	A335/AX1
AN61	C6	CN1	AP3535	C35	CN2
A21	C2	C1			
A31	C3	C1			

Standard Windows / Venting Picture Windows / Double Sash

Unit No.	Stationary Window/Upper		Venting Window/Lower	
	Stile	Rail	Stile	Rail
AP32	C3	CP2	C3	CP2
AP42	C4	CP2	C4	CP2
AP321	C3	CP2	C1	C3
AP3521	C35	CP2	C1	C35
AP421	C4	CP2	C1	C4

Sash

Glazing Beads - Vinyl

Glazing Bead - 5/8" / Stile

Note:

These glazing beads are no longer available. To replace, order current vintage glazing beads (March 2004 to Present) and replace all four beads. See the Perma-Shield® Improved/EZ Awning Windows (1999 to Present) section for order information.

		Unit No.	Dimensions
		CR1	13 ¹⁷ / ₃₂
		CN1	17 ¹ / ₃₂
		C1	20 ²¹ / ₃₂
		CW1	24 ²⁹ / ₃₂
		CXW1	32 ¹ / ₂
		A335	37 ⁹ / ₃₂
		CP2	44 ³⁷ / ₆₄
		CP3	68 ²⁹ / ₆₄
		CP30	32 ¹ / ₂
		CP50	56 ²⁹ / ₆₄

Glazing Bead - 5/8" / Rail

		Unit No.	Dimensions
		C2	20 ⁵ / ₁₆
		C25	24 ⁹ / ₁₆
		C3	32 ¹ / ₈
		C35	35
		C4	44 ³ / ₁₆
		C45	49
		C5	56 ¹ / ₆
		C55	61
		C6	68 ³ / ₃₂

Glazing Bead - 825 Picture / Rail and Stile

Note:

Items in red have been discontinued. If discontinued, order longer length bead and size to fit.

	Unit No.	Dimensions	White	Terratone®	Sandtone
	C3/A3	32 ¹³ / ₃₂	1351110	1470210	0611710
	C35/A35	37 ⁹ / ₃₂	1351112	1470212	0611712
	C4/A4	44 ¹⁵ / ₃₂	1351114	1470214	0611714
	C45/A45	49 ⁹ / ₃₂	8021601	8021602	8021603
	C5/A5	56 ¹¹ / ₃₂	1351116	1470216	0611718
	C55/A55	61 ⁹ / ₃₂	8021604	8021605	8021606
	C6/A6	68 ¹¹ / ₃₂	1351118	1470218	0611722
	CP2/AP2	44 ²⁹ / ₃₂	1351104	1470204	0611704
	CP3/AP3	68 ²⁵ / ₃₂	1351108	1470208	0611708
	CP30/AP30	32 ²⁷ / ₃₂	1351102	1470202	
	CP50/AP50	56 ²⁵ / ₃₂	1351106	1470206	0611706

Perma-Shield® Enhanced Awning Windows (1996 to 1998)

Standard and Picture Windows

Glass

Glass Size Table - Picture Windows		
Glass Size Table - Picture Window		
Unit No.	Unobstructed Glass (w x h)	Actual Glass (w x h)
P3030	31 1/8 x 31 1/8	32 21/32 x 32 21/32
P3035	31 1/8 x 36	32 21/32 x 37 17/32
P3040	31 1/8 x 43 3/16	32 21/32 x 44 23/32
P3045	31 1/8 x 48	32 21/32 x 49 17/32
P3050	31 1/8 x 55 1/16	32 21/32 x 56 19/32
P3055	31 1/8 x 60	32 21/32 x 61 17/32
P3060	31 1/8 x 67 1/16	32 21/32 x 68 19/32
P3530	36 x 31 1/8	37 17/32 x 32 21/32
P3535	36 x 36	37 17/32 x 37 17/32
P3540	36 x 43 3/16	37 17/32 x 44 23/32
P3545	36 x 48	37 17/32 x 49 17/32
P3550	36 x 55 1/16	37 17/32 x 56 19/32
P3555	36 x 60	37 17/32 x 61 17/32
P3560	36 x 67 1/16	37 17/32 x 68 19/32
P4030	43 3/16 x 31 1/8	44 23/32 x 32 21/32
P4035	43 3/16 x 36	44 23/32 x 37 17/32
P4040	43 3/16 x 43 3/16	44 23/32 x 44 23/32
P4045	43 3/16 x 48	44 23/32 x 49 17/32
P4050	43 3/16 x 55 1/16	44 23/32 x 56 19/32
P4055	43 3/16 x 60	44 23/32 x 61 17/32
P4060	43 3/16 x 67 1/16	44 23/32 x 68 19/32
P4530	48 x 31 1/8	49 17/32 x 32 21/32
P4535	48 x 36	49 17/32 x 37 17/32
P4540	48 x 43 3/16	49 17/32 x 44 23/32
P4545	48 x 48	49 17/32 x 49 17/32
P4550	48 x 55 1/16	49 17/32 x 56 19/32
P4555	48 x 60	49 17/32 x 61 17/32
P4560	48 x 67 1/16	49 17/32 x 68 19/32
P5030	55 1/2 x 31 1/8	56 19/32 x 32 21/32
P5035	55 1/2 x 36	56 19/32 x 37 17/32
P5040	55 1/2 x 43 3/16	56 19/32 x 44 23/32
P5045	55 1/2 x 48	56 19/32 x 49 17/32
P5050	55 1/2 x 55 1/16	56 19/32 x 56 19/32
P5055	55 1/2 x 60	56 19/32 x 61 17/32
P5060	55 1/2 x 67 1/16	56 19/32 x 68 19/32
P5530	60 x 31 1/8	61 17/32 x 32 21/32

Glass

Glass Size Table - Picture Windows

Glass Size Table - Picture Window

Unit No.	Unobstructed Glass (w x h)	Actual Glass (w x h)
P5535	60 × 36	61 ¹⁷ / ₃₂ × 37 ¹⁷ / ₃₂
P5540	60 × 43 ³ / ₁₆	61 ¹⁷ / ₃₂ × 44 ²³ / ₃₂
P5545	60 × 48	61 ¹⁷ / ₃₂ × 49 ¹⁷ / ₃₂
P5550	60 × 55 ¹ / ₁₆	61 ¹⁷ / ₃₂ × 56 ¹⁹ / ₃₂
P6030	67 ¹ / ₂ × 31 ¹ / ₈	68 ¹⁹ / ₃₂ × 32 ²¹ / ₃₂
P6035	67 ¹ / ₂ × 36	68 ¹⁹ / ₃₂ × 37 ¹⁷ / ₃₂
P6040	67 ¹ / ₂ × 43 ³ / ₁₆	68 ¹⁹ / ₃₂ × 44 ²³ / ₃₂
P6045	67 ¹ / ₂ × 48	68 ¹⁹ / ₃₂ × 49 ¹⁷ / ₃₂
P6050	67 ¹ / ₂ × 55 ¹ / ₁₆	68 ¹⁹ / ₃₂ × 56 ¹⁹ / ₃₂

Perma-Shield® Enhanced Awning Windows (1996 to 1998)

Standard and Picture Windows

Glass

Glass - Picture Windows / High Performance

Note:

To determine if window is a sash or direct set glass, examine interior glass edges as shown on [page 2](#).

See [Service Guide 0005138](#)

Glass - Picture Window / High Performance Low-E4®

Unit No.	Order No.	Unit No.	Order No.	Unit No.	Order No.	Unit No.	Order No.
P3030	1559306	P3555	1559317	P4540	1559320	P5060	1559330
P3035	1559307	P3560	1559318	P4545	1559324	P5530	1559311
P3040	1559308	P4030	1559308	P4550	1559325	P5535	1559317
P3045	1559309	P4035	1559314	P4555	1559326	P5540	1559322
P3050	1559310	P4040	1559319	P4560	1559327	P5545	1559326
P3055	1559311	P4045	1559320	P5030	1559310	P5550	1559329
P3060	1559312	P4050	1559321	P5035	1559316	P6030	1559312
P3530	1559307	P4055	1559322	P5040	1559321	P6035	1559318
P3535	1559313	P4060	1559323	P5045	1559325	P6040	1559323
P3540	1559314	P4530	1559309	P5050	1559328	P6045	1559327
P3545	1559315	P4535	1559315	P5055	1559329	P6050	1559330
P3550	1559316						

Glass - Picture Window / High Performance Low-E4® Tempered

Unit No.	Order No.	Unit No.	Order No.	Unit No.	Order No.	Unit No.	Order No.
P3030	1559356	P3555	1559367	P4540	1559370	P5060	1559380
P3035	1559357	P3560	1559368	P4545	1559374	P5530	1559361
P3040	1559358	P4030	1559358	P4550	1559375	P5535	1559367
P3045	1559359	P4035	1559364	P4555	1559376	P5540	1559372
P3050	1559360	P4040	1559369	P4560	1559377	P5545	1559376
P3055	1559361	P4045	1559370	P5030	1559360	P5550	1559379
P3060	1559362	P4050	1559371	P5035	1559366	P6030	1559362
P3530	1559357	P4055	1559372	P5040	1559371	P6035	1559368
P3535	1559363	P4060	1559373	P5045	1559375	P6040	1559373
P3540	1559364	P4530	1559359	P5050	1559378	P6045	1559377
P3545	1559365	P4535	1559365	P5055	1559379	P6050	1559380
P3550	1559366						

Glass

Glass - Picture Window / High Performance Low-E4® Finelight™							
Unit No.	Order No.	Unit No.	Order No.	Unit No.	Order No.	Unit No.	Order No.
P3030	1559455	P3555	1559466	P4540	1559469	P5060	1559479
P3035	1559456	P3560	1559467	P4545	1559473	P5530	1559460
P3040	1559457	P4030	1559457	P4550	1559474	P5535	1559466
P3045	1559458	P4035	1559463	P4555	1559475	P5540	1559471
P3050	1559459	P4040	1559468	P4560	1559476	P5545	1559475
P3055	1559460	P4045	1559469	P5030	1559459	P5550	1559478
P3060	1559461	P4050	1559470	P5035	1559465	P6030	1559461
P3530	1559456	P4055	1559471	P5040	1559470	P6035	1559467
P3535	1559462	P4060	1559472	P5045	1559474	P6040	1559472
P3540	1559463	P4530	1559458	P5050	1559477	P6045	1559476
P3545	1559464	P4535	1559464	P5055	1559478	P6050	1559479
P3550	1559465						

Glass - Picture Window / High-Performance™ Sun II
Note: Available by description.

Glass - Picture Windows / High-Performance™ Sun II Tempered
Note: Available by description.

Perma-Shield® Enhanced Awning Windows (1996 to 1998)

Standard and Picture Windows

Glass

Glass - Picture Windows / Dual Pane

Note:

To determine if window is a sash or direct set glass, examine interior glass edges as shown on [page 2](#).

See [Service Guide 0005138](#)

Glass - Picture Window / Dual Pane							
Unit No.	Order No.	Unit No.	Order No.	Unit No.	Order No.	Unit No.	Order No.
P3030	1559601	P3555	1559612	P4540	1559615	P5060	1559625
P3035	1559602	P3560	1559613	P4545	1559619	P5530	1559606
P3040	1559603	P4030	1559603	P4550	1559620	P5535	1559612
P3045	1559604	P4035	1559609	P4555	1559621	P5540	1559617
P3050	1559605	P4040	1559614	P4560	1559622	P5545	1559621
P3055	1559606	P4045	1559615	P5030	1559605	P5550	1559624
P3060	1559607	P4050	1559616	P5035	1559611	P6030	1559607
P3530	1559602	P4055	1559617	P5040	1559616	P6035	1559613
P3535	1559608	P4060	1559618	P5045	1559620	P6040	1559618
P3540	1559609	P4530	1559604	P5050	1559623	P6045	1559622
P3545	1559610	P4535	1559610	P5055	1559624	P6050	1559625
P3550	1559611						

Glass - Picture Window / Dual Pane Tempered							
Unit No.	Order No.	Unit No.	Order No.	Unit No.	Order No.	Unit No.	Order No.
P3030	1559626	P3555	1559637	P4540	1559640	P5060	1559650
P3035	1559627	P3560	1559638	P4545	1559644	P5530	1559631
P3040	1559628	P4030	1559628	P4550	1559645	P5535	1559637
P3045	1559629	P4035	1559634	P4555	1559646	P5540	1559642
P3050	1559630	P4040	1559639	P4560	1559647	P5545	1559646
P3055	1559631	P4045	1559640	P5030	1559630	P5550	1559649
P3060	1559632	P4050	1559641	P5035	1559636	P6030	1559632
P3530	1559627	P4055	1559642	P5040	1559641	P6035	1559638
P3535	1559633	P4060	1559643	P5045	1559645	P6040	1559643
P3540	1559634	P4530	1559629	P5050	1559648	P6045	1559647
P3545	1559635	P4535	1559635	P5055	1559649	P6050	1559650
P3550	1559636						

Glass

Glass - Picture Window / Dual Pane Finelight™							
Unit No.	Order No.	Unit No.	Order No.	Unit No.	Order No.	Unit No.	Order No.
P3030	1559651	P3555	1559662	P4540	1559665	P5060	1559675
P3035	1559652	P3560	1559663	P4545	1559669	P5530	1559656
P3040	1559653	P4030	1559653	P4550	1559670	P5535	1559662
P3045	1559654	P4035	1559659	P4555	1559671	P5540	1559667
P3050	1559655	P4040	1559664	P4560	1559672	P5545	1559671
P3055	1559656	P4045	1559665	P5030	1559655	P5550	1559674
P3060	1559657	P4050	1559666	P5035	1559661	P6030	1559657
P3530	1559652	P4055	1559667	P5040	1559666	P6035	1559663
P3535	1559658	P4060	1559668	P5045	1559670	P6040	1559668
P3540	1559659	P4530	1559654	P5050	1559673	P6045	1559672
P3545	1559660	P4535	1559660	P5055	1559674	P6050	1559675
P3550	1559661						

Perma-Shield® Enhanced Awning Windows (1996 to 1998)

Standard and Picture Windows

Insect Screens

Insect Screens - TruScene™ Screens			
Insect Screen - TruScene®			
Note: Natural wood screen is a pine interior finish, stone color exterior.			
Unit No.	Dimensions (w x h)	Stone	White
AR2	20 ⁵ / ₃₂ × 13 ¹ / ₃₂	1505710	1505774
AR25	24 ¹³ / ₃₂ × 13 ¹ / ₃₂	1505715	1505779
AR28	27 ⁹ / ₁₆ × 13 ¹ / ₃₂	1505721	1505785
AR3	31 ³¹ / ₃₂ × 13 ¹ / ₃₂	1505727	1505791
AR35	36 ²⁷ / ₃₂ × 13 ¹ / ₃₂	1505735	1505799
AR4	44 × 13 ¹ / ₃₂	1505743	1505808
AR45	48 ²⁷ / ₃₂ × 13 ¹ / ₃₂	1505750	1505815
AR5	55 ²⁹ / ₃₂ × 13 ¹ / ₃₂	1505756	1505821
AR55	60 ²⁷ / ₃₂ × 13 ¹ / ₃₂	1505762	1505827
AR6	67 ²⁹ / ₃₂ × 13 ¹ / ₃₂	1505768	1505833
AN2	20 ⁵ / ₃₂ × 16 ¹⁷ / ₃₂	1505711	1505775
AN25	24 ¹³ / ₃₂ × 16 ¹⁷ / ₃₂	1505716	1505780
AN28	27 ⁹ / ₁₆ × 16 ¹⁷ / ₃₂	1505722	1505786
AN3	31 ³¹ / ₃₂ × 16 ¹⁷ / ₃₂	1505728	1505792
AN35	36 ²⁷ / ₃₂ × 16 ¹⁷ / ₃₂	1505736	1505801
AN4	44 × 16 ¹⁷ / ₃₂	1505744	1505809
AN45	48 ²⁷ / ₃₂ × 16 ¹⁷ / ₃₂	1505751	1505816
AN5	55 ²⁹ / ₃₂ × 16 ¹⁷ / ₃₂	1505757	1505822
AN55	60 ²⁷ / ₃₂ × 16 ¹⁷ / ₃₂	1505763	1505828
AN6	67 ²⁹ / ₃₂ × 16 ¹⁷ / ₃₂	1505769	1505834
A2	20 ⁵ / ₃₂ × 20 ⁵ / ₃₂	1505712	1505776
A25	24 ¹³ / ₃₂ × 20 ⁵ / ₃₂	1505717	1505781
A28	27 ⁹ / ₁₆ × 20 ⁵ / ₃₂	1505723	1505787
A3	31 ³¹ / ₃₂ × 20 ⁵ / ₃₂	1505729	1505793
A35	36 ²⁷ / ₃₂ × 20 ⁵ / ₃₂	1505737	1505802
A4	44 × 20 ⁵ / ₃₂	1505745	1505810
A45	48 ²⁷ / ₃₂ × 20 ⁵ / ₃₂	1505752	1505817
A5	55 ²⁹ / ₃₂ × 20 ⁵ / ₃₂	1505758	1505823
A55	60 ²⁷ / ₃₂ × 20 ⁵ / ₃₂	1505764	1505829
A6	67 ²⁹ / ₃₂ × 20 ⁵ / ₃₂	1505770	1505835
AW2	20 ⁵ / ₃₂ × 24 ¹³ / ₃₂	1505713	1505777
AW25	24 ¹³ / ₃₂ × 24 ¹³ / ₃₂	1505718	1505782
AW28	27 ⁹ / ₁₆ × 24 ¹³ / ₃₂	1505724	1505788
AW3	31 ³¹ / ₃₂ × 24 ¹³ / ₃₂	1505730	1505794
AW35	36 ²⁷ / ₃₂ × 24 ¹³ / ₃₂	1505738	1505803
AW4	44 × 24 ¹³ / ₃₂	1505746	1505811
AW45	48 ²⁷ / ₃₂ × 24 ¹³ / ₃₂	1505753	1505818

Insect Screens

Insect Screens - TruScene™ Screens

Insect Screen - TruScene®

Note:

Natural wood screen is a pine interior finish, stone color exterior.

Unit No.	Dimensions (w x h)	Stone	White
AW5	55 ²⁹ / ₃₂ × 24 ¹³ / ₃₂	1505759	1505824
AW55	60 ²⁷ / ₃₂ × 24 ¹³ / ₃₂	1505765	1505830
AW6	67 ²⁹ / ₃₂ × 24 ¹³ / ₃₂	1505771	1505836
AX25	24 ¹³ / ₃₂ × 27 ⁹ / ₁₆	1505719	1505783
AX28	27 ⁹ / ₁₆ × 27 ⁹ / ₁₆	1505725	1505789
AX3	31 ³¹ / ₃₂ × 27 ⁹ / ₁₆	1505731	1505795
AX35	36 ²⁷ / ₃₂ × 27 ⁹ / ₁₆	1505739	1505804
AX4	44 ¹ / ₃₂ × 27 ⁹ / ₁₆	1505747	1505812
AX45	48 ²⁷ / ₃₂ × 27 ⁹ / ₁₆	1505754	1505819
AX5	55 ²⁹ / ₃₂ × 27 ⁹ / ₁₆	1505760	1505825
AX55	60 ²⁷ / ₃₂ × 27 ⁹ / ₁₆	1505766	1505831
AX6	67 ²⁹ / ₃₂ × 27 ⁹ / ₁₆	1505772	1505837
AXW2	20 ⁵ / ₃₂ × 31 ³¹ / ₃₂	By description	By description
AXW25	24 ¹³ / ₃₂ × 31 ³¹ / ₃₂	By description	By description
AXW28	27 ⁹ / ₁₆ × 31 ³¹ / ₃₂	1505726	1505790
AXW3	31 ³¹ / ₃₂ × 31 ³¹ / ₃₂	1505732	1505796
AXW35	36 ²⁷ / ₃₂ × 31 ³¹ / ₃₂	1505740	1505805
AXW4	44 ¹ / ₃₂ × 31 ³¹ / ₃₂	1505748	1505813
AXW45	48 ²⁷ / ₃₂ × 31 ³¹ / ₃₂	1505755	1505820
AXW5	55 ²⁹ / ₃₂ × 31 ³¹ / ₃₂	1505761	1505826
AXW55	60 ²⁷ / ₃₂ × 31 ³¹ / ₃₂	1505767	1505832
AXW6	67 ²⁹ / ₃₂ × 31 ³¹ / ₃₂	1505773	1505838
A335C	31 ³¹ / ₃₂ × 36 ²⁵ / ₃₂	1505733	1505797
A3535	36 ²⁷ / ₃₂ × 36 ²⁵ / ₃₂	1505741	1505806
AP32	31 ³¹ / ₃₂ × 44	1505734	1505798
AP352	36 ²⁷ / ₃₂ × 44	1505742	1505807
AP42	44 × 44	1505749	1505814

Perma-Shield® Enhanced Awning Windows (1996 to 1998)

Standard and Picture Windows

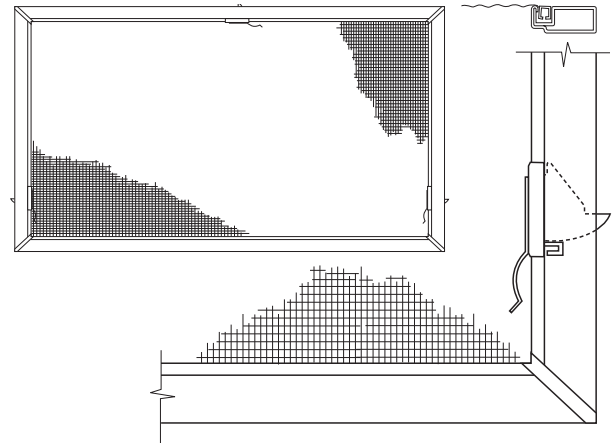
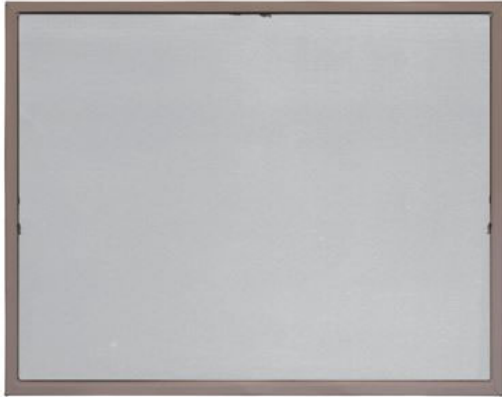
Insect Screens

Insect Screens - Standard

Insect Screen - Standard

Note:

Insect screens for the following units have 3 latches.



Unit No.	Dimensions (w x h)	Stone	White
AR2	20 ⁵ / ₃₂ × 13 ¹ / ₃₂	1505331	1505362
AR25	24 ¹³ / ₃₂ × 13 ¹ / ₃₂	1505405	1505401
AR3	31 ³¹ / ₃₂ × 13 ¹ / ₃₂	1505332	1505363
AR35	36 ²⁷ / ₃₂ × 13 ¹ / ₃₂	1505333	1505364
AR4	44 × 13 ¹ / ₃₂	1505334	1505365
AR45	48 ²⁷ / ₃₂ × 13 ¹ / ₃₂	1505335	1505366
AR5	55 ²⁹ / ₃₂ × 13 ¹ / ₃₂	1505336	1505367
AR55	60 ²⁷ / ₃₂ × 13 ¹ / ₃₂	1505480	1505488
AR6	67 ²⁹ / ₃₂ × 13 ¹ / ₃₂	1505481	1505489
AN2	20 ⁵ / ₃₂ × 16 ¹⁷ / ₃₂	1505337	1505368
AN25	24 ¹³ / ₃₂ × 16 ¹⁷ / ₃₂	1505406	1505402
AN3	31 ³¹ / ₃₂ × 16 ¹⁷ / ₃₂	1505338	1505369
AN35	36 ²⁷ / ₃₂ × 16 ¹⁷ / ₃₂	1505339	1505370
AN4	44 × 16 ¹⁷ / ₃₂	1505340	1505371
AN45	48 ²⁷ / ₃₂ × 16 ¹⁷ / ₃₂	1505341	1505372
AN5	55 ²⁹ / ₃₂ × 16 ¹⁷ / ₃₂	1505342	1505373
AN55	60 ²⁷ / ₃₂ × 16 ¹⁷ / ₃₂	1505482	1505490
AN6	67 ²⁹ / ₃₂ × 16 ¹⁷ / ₃₂	1505483	1505491
A2	20 ⁵ / ₃₂ × 20 ⁵ / ₃₂	1505343	1505374
A25	24 ¹³ / ₃₂ × 20 ⁵ / ₃₂	1505407	1505403
A3	31 ³¹ / ₃₂ × 20 ⁵ / ₃₂	1505344	1505375
A35	36 ²⁷ / ₃₂ × 20 ⁵ / ₃₂	1505345	1505376
A4	44 × 20 ⁵ / ₃₂	1505346	1505377
A45	48 ²⁷ / ₃₂ × 20 ⁵ / ₃₂	1505347	1505378
A5	55 ²⁹ / ₃₂ × 20 ⁵ / ₃₂	1505348	1505379
A55	60 ²⁷ / ₃₂ × 20 ⁵ / ₃₂	1505484	1505492
A6	67 ²⁹ / ₃₂ × 20 ⁵ / ₃₂	1505485	1505493

Insect Screens

Insect Screens - Standard			
Note: Insect screens for the following units have 3 latches.			
Unit No.	Dimensions (w x h)	Stone	White
AW2	20 ⁵ / ₃₂ × 24 ¹³ / ₃₂	1505349	1505380
AW25	24 ¹³ / ₃₂ × 24 ¹³ / ₃₂	1505408	1505404
AW3	31 ³¹ / ₃₂ × 24 ¹³ / ₃₂	1505350	1505381
AW35	36 ²⁷ / ₃₂ × 24 ¹³ / ₃₂	1505351	1505382
AW4	44 × 24 ¹³ / ₃₂	1505352	1505383
AW45	48 ²⁷ / ₃₂ × 24 ¹³ / ₃₂	1505353	1505384
AW5	55 ²⁹ / ₃₂ × 24 ¹³ / ₃₂	1505354	1505385
AW55	60 ²⁷ / ₃₂ × 24 ¹³ / ₃₂	1505486	1505494
AW6	67 ²⁹ / ₃₂ × 24 ¹³ / ₃₂	1505487	1505495
AXW3	31 ⁹⁴ / ₉₇ × 31 ³¹ / ₃₂	1505355	1505386
AXW35	36 ²⁷ / ₃₂ × 31 ³¹ / ₃₂	1505397	1505394
AXW4	44 ¹ / ₃₂ × 31 ³¹ / ₃₂	1505398	1505395
AXW45	48 ²⁷ / ₃₂ × 31 ³¹ / ₃₂	1505399	1505396
AXW5	55 ²⁹ / ₃₂ × 31 ³¹ / ₃₂	1505356	1505387
A335C	31 ³¹ / ₃₂ × 36 ²⁵ / ₃₂	1505357	1505388
A3535	36 ²⁷ / ₃₂ × 36 ²⁵ / ₃₂	1505358	1505390
AP32	31 ³¹ / ₃₂ × 44	1505359	1505391
AP352	36 ²⁷ / ₃₂ × 44	1505360	1505392
AP42	44 × 44	1505361	1505393

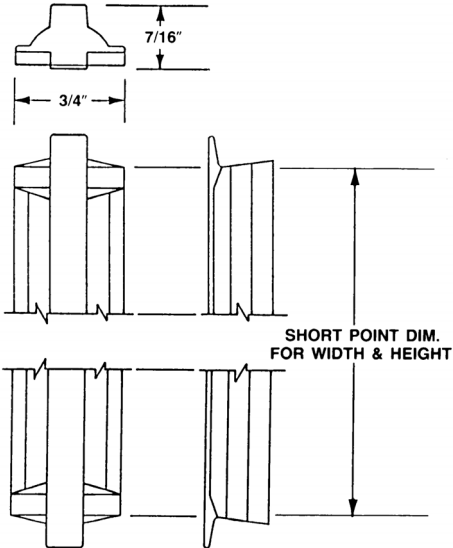
Insect Screen Parts

Insect Screen Warning Label			
<p>IMPORTANT Screens will not stop child from falling out window.</p>			Order No.
			1345005
Insect Screen Strike			
			Color
			White
			Tan
Insect Screen - Wing Blade Lock with Housing (Pair)			
	Description		Stone
	1-A-15516 Note: The originals are hard to replace. No instructions are provided. Consider a replacement screen instead.		N/A

Perma-Shield® Enhanced Awning Windows (1996 to 1998)

Standard and Picture Windows

Grilles

Interior Grille - Standard / Colonial / 3/4" Polycarbonate & Tycote				
	Unit No.	Dimensions (w x h)	Unit No.	Dimensions (w x h)
 <p>Offered 1986 to January 1, 2009 Perma-Shield® Awning Wide Profile Window Grilles - 3/4" Polycarbonate</p>	AR2	19 11/32 × 12 19/32	A2	19 11/32 × 19 23/32
	AR3	31 5/32 × 12 19/32	A3	31 5/32 × 19 23/32
	AR35	35 31/32 × 12 19/32	A35	35 31/32 × 19 23/32
	AR4	43 3/16 × 12 19/32	A4	43 3/16 × 19 23/32
	AR45	48 × 12 19/32	A45	48 × 19 23/32
	AR5	55 1/16 × 12 19/32	A5	55 1/16 × 19 23/32
	AR55	60 × 12 19/32	A55	60 × 19 23/32
	AR6	67 1/32 × 12 19/32	A6	67 1/32 × 19 23/32
	AN2	19 11/32 × 16 3/32	AW2	19 11/32 × 23 31/32
	AN3	31 5/32 × 16 3/32	AW3	31 5/32 × 23 31/32
	AN35	35 31/32 × 16 3/32	AW35	35 31/32 × 23 31/32
	AN4	43 3/16 × 16 3/32	AW4	43 3/16 × 23 31/32
	AN45	48 × 16 3/32	AW45	48 × 23 31/32
	AN5	55 1/16 × 16 3/32	AW5	55 1/16 × 23 31/32
	AN55	60 × 16 3/32	AW55	60 × 23 31/32
		AN6	67 1/32 × 16 3/32	AW6
	A330	31 5/32 × 31 1/2		
	A335	36 11/32 × 31 5/32		
	A3535	35 31/32 × 36 11/32		

Grilles

Interior Grille - Standard Window / Colonial / 3/4" Wood

Note:

See [Accessory Guide 0005285](#). Grilles ship with fasteners. See additional grilles in current Improved Awning section.

Interior Grille - Standard Window / Colonial / 3/4" Wood								
Unit No.	Dimensions (w x h)	Exterior			Exterior			
		White	Terratone®	Sandtone	White	Terratone®	Sandtone	
		Natural Maple Interior			Prefinished Interior			
					White	Terratone®	Sandtone	
AR	AR2	19 1/2 x 12 3/4	1344523	1445333	0603846	1353117	1443617	0604046
	AR25	23 3/4 x 12 3/4	1344564	1445364	0603877	1344423	1445149	0603569
	AR3	31 5/16 x 12 3/4	1344524	1445335	0603848	1353118	1443618	0604047
	AR35	36 3/16 x 12 3/4	1344525	1445334	0603847	1353119	1443619	0604048
	AR4	43 3/8 x 12 3/4	1344526	1445337	0603850	1353120	1443620	0604049
	AR45	48 3/16 x 12 3/4	1344527	1445336	0603849	1353121	1443621	0604050
	AR5	55 1/4 x 12 3/4	1344528	1445339	0603852	1353122	1443622	0604051
	AR55	60 3/16 x 12 3/4	1344529	1445338	0603851	1353123	1443623	0604052
	AR6	67 1/4 x 12 3/4	1344530	1445340	0603853	1353124	1443624	0604053
AN	AN2	19 1/2 x 16 1/4	1344531	1445324	0603836	1353109	1443609	0604038
	AN25	23 3/4 x 16 1/4	1344565	1445365	0603878	1344424	1445150	0603570
	AN3	31 5/16 x 16 1/4	1344532	1445326	0603838	1353110	1443610	0604039
	AN35	36 3/16 x 16 1/4	1344533	1445325	0603837	1353111	1443611	0604040
	AN4	43 3/8 x 16 1/4	1344534	1445328	0603840	1353112	1443612	0604041
	AN45	48 3/16 x 16 1/4	1344535	1445327	0603839	1353113	1443613	0604042
	AN5	55 1/4 x 16 1/4	1344536	1445330	0603842	1353114	1443614	0604043
	AN55	60 3/16 x 16 1/4	1344537	1445329	0603841	1353115	1443615	0604044
	AN6	67 1/4 x 16 1/4	1344538	1445331	0603843	1353116	1443616	0604045
A	A2	19 1/2 x 19 7/8	1344539	1445356	0603869	1353101	1443601	0604030
	A25	23 3/4 x 19 7/8	1344566	1445366	0603879	1344425	1445151	0603571
	A3	31 5/16 x 19 7/8	1344540	1445358	0603871	1353102	1443602	0604031
	A35	36 3/16 x 19 7/8	1344541	1445357	0603870	1353103	1443603	0604032
	A4	43 3/8 x 19 7/8	1344542	1445360	0603873	1353104	1443604	0604033
	A45	48 3/16 x 19 7/8	1344543	1445359	0603872	1353105	1443605	0604034
	A5	55 1/4 x 19 7/8	1344544	1445362	0603875	1353106	1443606	0604035
	A55	60 3/16 x 19 7/8	1344545	1445361	0603874	1353107	1443607	0604036
	A6	67 1/4 x 19 7/8	1344546	1445363	0603876	1353108	1443608	0604037
AW	AW2	19 1/2 x 24 1/8	1344547	1445341	0603854	1353125	1443625	0604054
	AW25	23 3/4 x 24 1/8	1344567	1445367	0603880	1344426	1445152	0603572
	AW3	31 5/16 x 24 1/8	1344548	1445343	0603856	1353126	1443626	0604055
	AW35	36 3/16 x 24 1/8	1344549	1445342	0603855	1353127	1443627	0604056
	AW4	43 3/8 x 24 1/8	1344550	1445345	0603858	1353128	1443628	0604057

Perma-Shield® Enhanced Awning Windows (1996 to 1998)

Standard and Picture Windows

Grilles

Interior Grille - Standard Window / Colonial / 3/4" Wood								
Unit No.	Dimensions (w x h)	Exterior			Exterior			
		White	Terratone®	Sandtone	White	Terratone®	Sandtone	
		Natural Maple Interior			Prefinished Interior			
		Natural Maple Interior			White	Terratone®	Sandtone	
AW	AW45	48 ³ / ₁₆ × 24 ¹ / ₈	1344551	1445344	0603857	1353129	1443629	0604058
	AW5	55 ¹ / ₄ × 24 ¹ / ₈	1344552	1445347	0603860	1353130	1443630	0604059
	AW55	60 ³ / ₁₆ × 24 ¹ / ₈	1344553	1445346	0603859	1353131	1443631	0604060
	AW6	67 ¹ / ₄ × 24 ¹ / ₈	1344536	1445330	0603842	1353132	1443632	0604061
AXW	AXW3	31 ⁵ / ₁₆ × 31 ¹¹ / ₁₆	1344555	1445349	0603862	1344427	1445153	0603573
	AXW35	36 ³ / ₁₆ × 31 ¹¹ / ₁₆	1344556	1445350	0603863	1344428	1445154	0603574
	AXW4	43 ³ / ₈ × 31 ¹¹ / ₁₆	1344557	1445351	0603864	1344429	1445155	0603575
	AXW45	48 ³ / ₁₆ × 31 ¹¹ / ₁₆	1344558	1445352	0603865	1344430	1445156	0603576
	AXW5	55 ¹ / ₄ × 31 ¹¹ / ₁₆	1344559	1445353	0603866	1344431	1445157	0603577
	AXW55	60 ³ / ₁₆ × 31 ¹¹ / ₁₆	1344560	1445354	0603867	1344432	1445158	0603578
	AXW6	67 ¹ / ₄ × 31 ¹¹ / ₁₆	1344561	1445355	0603868	1344433	1445159	0603579
A	A335	31 ⁵ / ₁₆ × 36 ¹ / ₂	1505640	2105940	0603835	1505641	2105941	0604070
	A3535	36 ³ / ₁₆ × 36 ¹ / ₂	1344562	1445332	0603845	By description	By description	By description
AP	AP32V	31 ³ / ₁₆ × 43 ²¹ / ₃₂	1344504	1445304	0603708	1344404	1445204	0603808
	AP352	36 ¹ / ₁₆ × 43 ²¹ / ₃₂	1344506	1445306	0603710	1344406	1445206	0603810
	AP42V	43 ¹ / ₄ × 43 ²¹ / ₃₂	1344508	1445308	0603712	1344408	1445208	0603812

Grilles

Interior Grilles - Picture Windows / Colonial / 3/4" Wood

Note:
See [Accessory Guide 0005285](#). Grilles ship with fasteners.


Interior Grille - Picture Window / Colonial / 3/4" Wood

Unit No.	Dimensions (w x h)	Exterior			Exterior		
		White	Terratone®	Sandtone	White	Terratone®	Sandtone
		Natural Maple Interior			Prefinished Interior		
				White	Terratone®	Sandtone	
P3030	31 1/4 x 31 1/4	1344434	1445223	0603581	1344434	1445223	0603581
P3035	31 1/4 x 36 1/8	1344435	1445224	0603582	1344435	1445224	0603582
P3040	31 1/4 x 43 5/16	1344436	1445225	0603583	1344436	1445225	0603583
P3045	31 1/4 x 48 1/8	1344437	1445226	0603584	1344437	1445226	0603584
P3050	31 1/4 x 55 3/16	1344438	1445227	0603585	1344438	1445227	0603585
P3055	31 1/4 x 60 1/8	1344439	1445228	0603586	1344439	1445228	0603586
P3060	31 1/4 x 67 3/16	1344440	1445229	0603587	1344440	1445229	0603587
P3530	36 1/8 x 31 1/4	1344435	1445224	0603582	1344435	1445224	0603582
P3535	36 1/8 x 36 1/8	1344441	1445230	0603588	1344441	1445230	0603588
P3540	36 1/8 x 43 5/16	1344442	1445231	0603589	1344442	1445231	0603589
P3545	36 1/8 x 48 1/8	1344443	1445232	0603590	1344443	1445232	0603590
P3550	36 1/8 x 55 3/16	1344444	1445233	0603591	1344444	1445233	0603591
P3555	36 1/8 x 60 1/8	1344445	1445234	0603592	1344445	1445234	0603592
P3560	36 1/8 x 67 3/16	1344446	1445235	0603593	1344446	1445235	0603593
P4030	43 5/16 x 31 1/4	1344436	1445225	0603583	1344436	1445225	0603583
P4035	43 5/16 x 36 1/8	1344442	1445231	0603589	1344442	1445231	0603589
P4040	43 5/16 x 43 5/16	1344447	1445236	0603594	1344447	1445236	0603594
P4045	43 5/16 x 48 1/8	1344448	1445237	0603595	1344448	1445237	0603595
P4050	43 5/16 x 55 3/16	1344449	1445238	0603596	1344449	1445238	0603596
P4055	43 5/16 x 60 1/8	1344450	1445239	0603597	1344450	1445239	0603597
P4060	43 5/16 x 67 3/16	1344451	1445240	0603598	1344451	1445240	0603598
P4530	48 1/8 x 31 1/4	1344437	1445226	0603584	1344437	1445226	0603584
P4535	48 1/8 x 36 1/8	1344443	1445232	0603590	1344443	1445232	0603590
P4540	48 1/8 x 43 5/16	1344448	1445237	0603595	1344448	1445237	0603595
P4545	48 1/8 x 48 1/8	1344452	1445241	0603599	1344452	1445241	0603599
P4550	48 1/8 x 55 3/16	1344453	1445242	0603601	1344453	1445242	0603601
P4555	48 1/8 x 60 1/8	1344454	1445243	0603602	1344454	1445243	0603602
P4560	48 1/8 x 67 3/16	1344455	1445244	0603603	1344455	1445244	0603603
P5030	55 3/16 x 31 1/4	1344438	1445227	0603585	1344438	1445227	0603585
P5035	55 3/16 x 36 1/8	1344444	1445233	0603591	1344444	1445233	0603591
P5040	55 3/16 x 43 5/16	1344449	1445238	0603596	1344449	1445238	0603596
P5045	55 3/16 x 48 1/8	1344453	1445242	0603601	1344453	1445242	0603601

Perma-Shield® Enhanced Awning Windows (1996 to 1998)

Standard and Picture Windows






Grilles

Interior Grille - Picture Window / Colonial / 3/4" Wood							
Unit No.	Dimensions (w x h)	Exterior			Exterior		
		White	Terratone®	Sandtone	White	Terratone®	Sandtone
		Natural Maple Interior			Prefinished Interior		
					White	Terratone®	Sandtone
P5050	55 3/16 x 55 3/16	1344456	1445245	0603604	1344456	1445245	0603604
P5055	55 3/16 x 60 1/8	1344457	1445246	0603605	1344457	1445246	0603605
P5060	55 3/16 x 67 3/16	1344458	1445247	0603606	1344458	1445247	0603606
P5530	60 1/8 x 31 1/4	1344439	1445228	0603586	1344439	1445228	0603586
P5535	60 1/8 x 36 1/8	1344445	1445234	0603592	1344445	1445234	0603592
P5540	60 1/8 x 43 5/16	1344450	1445239	0603597	1344450	1445239	0603597
P5545	60 1/8 x 48 1/8	1344454	1445243	0603602	1344454	1445243	0603602
P5550	60 1/8 x 55 3/16	1344457	1445246	0603605	1344457	1445246	0603605
P6030	67 3/16 x 31 1/4	1344440	1445229	0603587	1344440	1445229	0603587
P6035	67 3/16 x 36 1/8	1344446	1445235	0603593	1344446	1445235	0603593
P6040	67 3/16 x 43 5/16	1344451	1445240	0603598	1344451	1445240	0603598
P6045	67 3/16 x 48 1/8	1344455	1445244	0603603	1344455	1445244	0603603
P6050	67 3/16 x 55 3/16	1344458	1445247	0603606	1344458	1445247	0603606

Interior Grille - Picture Window / Colonial / 7/8" Wood
Note: Available by description.

Interior Grille - Picture Window / Colonial / 1 1/8" Wood
Note: Available by description.

Grilles

Interior Grille Parts			
Interior Grille Fastener - Wood / Standard			
	Note: For standard pattern and non-standard pattern "P" units. Also used on products with a wood stop next to glass.	Order No.	
		1974314	
Interior Grille Fastener - Wood / Non-Standard			
	Note: For non-standard pattern grilles for venting and "CP" stationary units. Also used on products with a vinyl lip next to glass.	Order No.	
		1974312	
Interior Grille Fastener - Wood / Plunger			
	Note: For standard pattern grilles for venting and stationary units, excluding CP and P units.	Order No.	
		1344401	
Fastener - Grille			
		Color	Order No.
		White	1974310
		Terratone®	2601210
		Sandtone	8154120
Grille Installation Tool			
		Order No.	
		9019326	

Perma-Shield® Enhanced Awning Windows (1996 to 1998)

Standard and Picture Windows

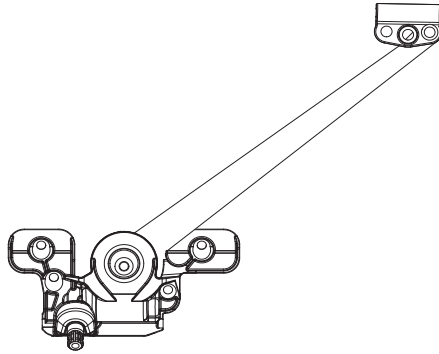
Hardware

Operator and Operator Parts

Operator with Screws

Note:

When ordering a replacement operator, the adaptor plate must be ordered as well for proper alignment. The existing operator is held in place with three screws and is no longer available and replaced with the 1999 to present Improved/EZ operator shown directly below. An adaptor plate (shown further below) is also required.



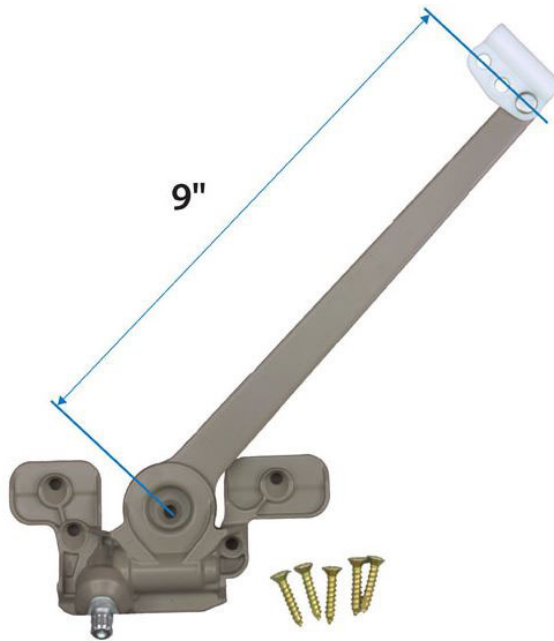
Standard

1521105

Corrosion Resistant

1521106

Operator Picture



Adaptor Plate



Order No.

9050723

Hardware


Operator Rods

Note:


All units leave factory with a short arm, formed rod, except A335 which takes a collared rod. Long arm, formed operator rod is a low volume accessory item and is only available as corrosion resistant.

See [Service Guide 0003910](#).


Operator Rod with Screws - 9" / Short Arm / Formed (1996 to Present)

	<p>Note: All units leave factory with a short arm, formed rod, except A335 which takes a short collared rod.</p>	Standard	Corrosion Resistant
		1521103	1521104


Operator Rod with Screws - 13" / Long Arm / Formed (1996 to Present)

	<p>Note: Use with extension arm kit. Long arm, formed operator rod is a low volume accessory item and is only available as corrosion resistant.</p>	Corrosion Resistant
		1521099

Operator Rod with Screws - Collared / A335 (1996 to Present)

		Standard	Corrosion Resistant
		1521107	N/A

Bracket - Hardware Package

		Standard	Corrosion Resistant
		1521708	1521110

Shoe Kit

	Order No.
	1521610

Screw - Operator Shoe

	Standard	Corrosion Resistant
	1361964	1361965

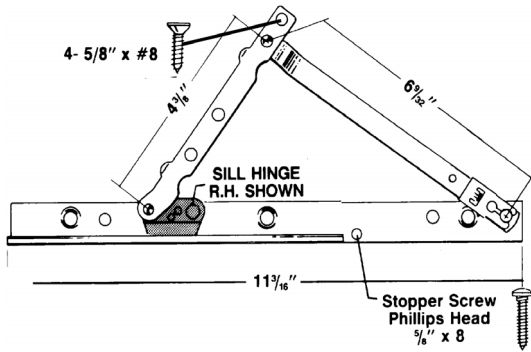
Perma-Shield® Enhanced Awning Windows (1996 to 1998)

Standard and Picture Windows

Hardware

Hinges

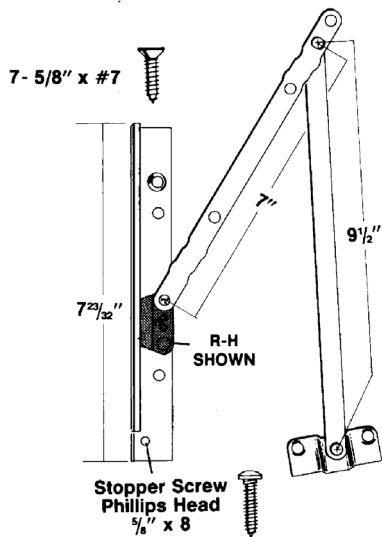
Hinge - Split Arm with Screws / 7168 / Sill / AR



Unit No.		Left	Right
AR21	AR451	N/A	N/A
AR251	AR51		
AR31	AR551		
AR351	AR61		
AR41			

Note:
For replacement, use current Improved Casement head hinges, part number 1361462 and 1361463, also shown on [page 42](#)
See [Service Guide 0005332](#).

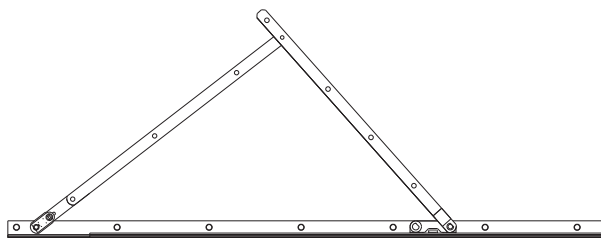
Hinge Set with Screws - 7227 / AN / Short



Unit No.		Left and Right Set
AN21	AN451	N/A
AN251	AN51	
AN31	AN551	
AN351	AN61	
AN41		

Note:
For replacement, use current Improved Casement head hinges, part number 1361462 and 1361463, also shown on [page 42](#)
See [Service Guide 0005332](#).

AP Hinge Kit



Unit No.		Order No.
AXW451	AP352V	N/A
AXW51	A42V	
AXW551	AP321V-upper	
AXW61	AP3521V-upper	
AP32V	AP421V-upper	

Note:
For replacement, use current Improved Casement head hinges, part number 1361462 and 1361463, also shown on [page 42](#)
See [Service Guide 0005332](#).

Hardware

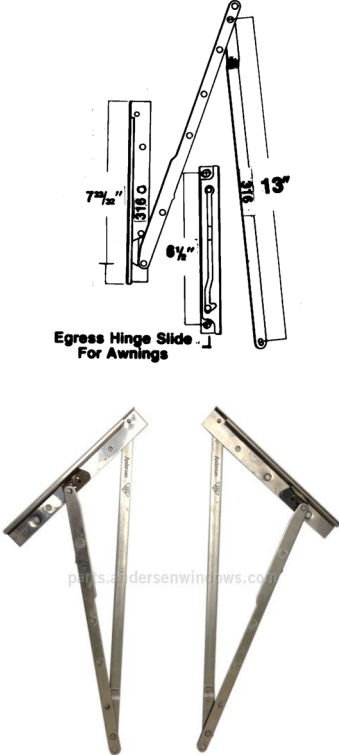
Hinge Set with Screws - 7207 / Long				
	Unit No.		Left and Right Set	
	A21	AW21	A32	N/A
	A251	AW251	A352	
	A31	AW31	A42	
	A351	AW351	AP321	
	A41	AW41	AP3521	
	A451	AW451	AP421	
	A51	AW51	AP321V-lower	
	A551	AW551	AP3521V-lower	
	A61	AW61	AP421V-lower	
Note: For replacement, use current Improved Casement head hinges, part number 1361462 and 1361463, also shown on page 42 . See Service Guide 0005332 .				

Hinge Set with Screws - 7266 / A330 / A3535			
	Unit No.		Left and Right Set
	A330	A3535	N/A
	AXW451	AP352V	
	AXW51	A42V	
	AXW551	AP321V-upper	
	AXW61	AP3521V-upper	
AP32V	AP421V-upper		
Note: Enhanced Awning AXW31 size previously identified as A330. For replacement, use current Improved Casement head hinges, part number 1361462 and 1361463, also shown on page 42 . See Service Guide 0005332 .			

Perma-Shield® Enhanced Awning Windows (1996 to 1998)

Standard and Picture Windows

Hardware

Hinge Set with Screws - 7264 / A335	
Unit No.	Left and Right Set
A335	1526614
 <p>Egress Hinge Slide For Awnings</p> <p>parts.petersenwindows.com</p>	


Hardware

Split Arm Hinge with Screws - Head *(April 2001 to Present)*

Note:

Effective 5/10/04, use Head Split Arm corrosion resistant hinges.

See [Service Guide 0005332](#).

	Unit No.	Standard		Corrosion Resistant	
		Left	Right	Left	Right
	AR21-AR61	1361463	1361462	1361467	1361466
	AN21-AN61				
	A21-A61				
	AW21-AW61				
	AX25-AX61				
	AXW28-AXW51				
	A32 Lower				
	A42 Lower				
	AP321 Lower				
	AP3521 Lower				
	AP421 Lower				
	AXW451				
	AXW51				
	AXW551				
	AXW61				
	AP32V				
	AP352V				
	A42V				
	AP321V-upper				
	AP3521V-upper				
AP421V-upper					

Perma-Shield® Enhanced Awning Windows (1996 to 1998)

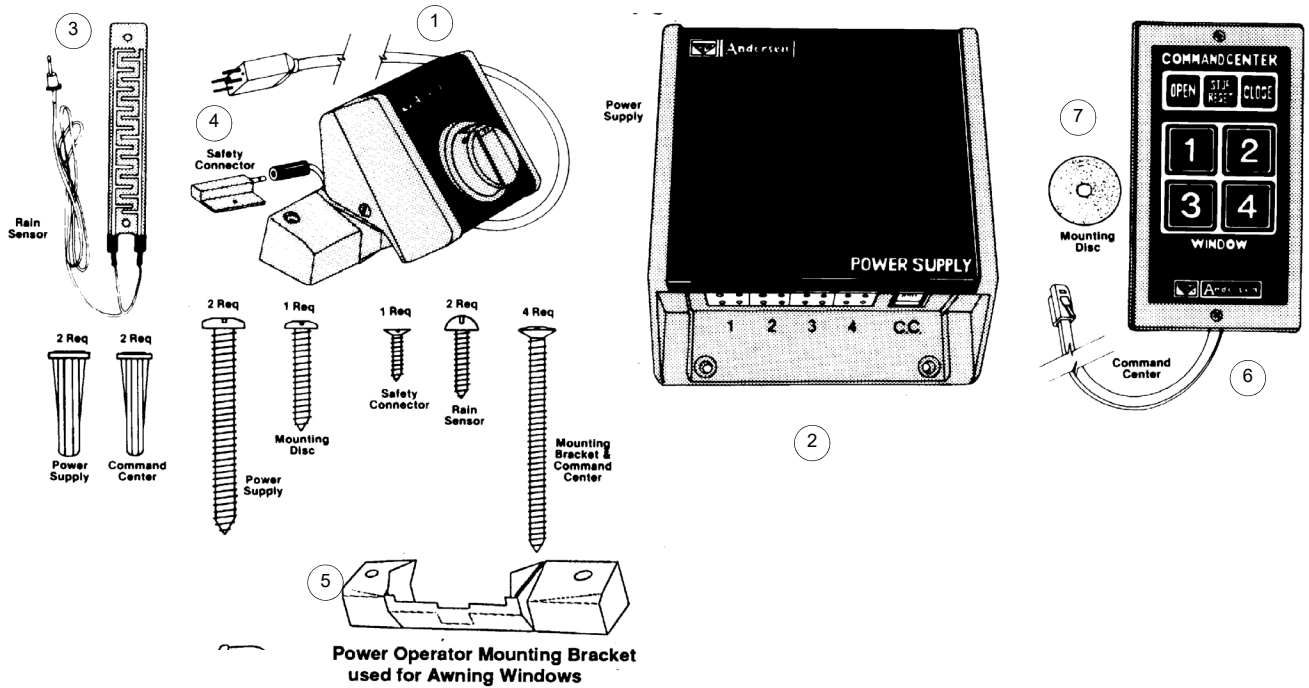
Standard and Picture Windows

Hardware


Electric Opener (1996 - 1998)

Note:

Electric operator cannot be used on impact resistant units. Parts used across multiple vintages of Awning units.



Perma -Shield® Enhanced Awning Electric Opener

Power Operator (1984-2013) Ref No. 1 page 43		Stone
Includes: Operator, mounting bracket, rain sensor and screws		N/A
Power Supply - Electric Opener (1984-2013) Ref No. 2 page 43		Order No.
		1522004
Command Center with Cord - Electric Opener (1984-2013) Ref No. 6 page 43		Order No.
		1522006
Mounting Disk - Command Center (1984-2013) Ref No. 7 page 43		Order No.
		N/A

Hardware

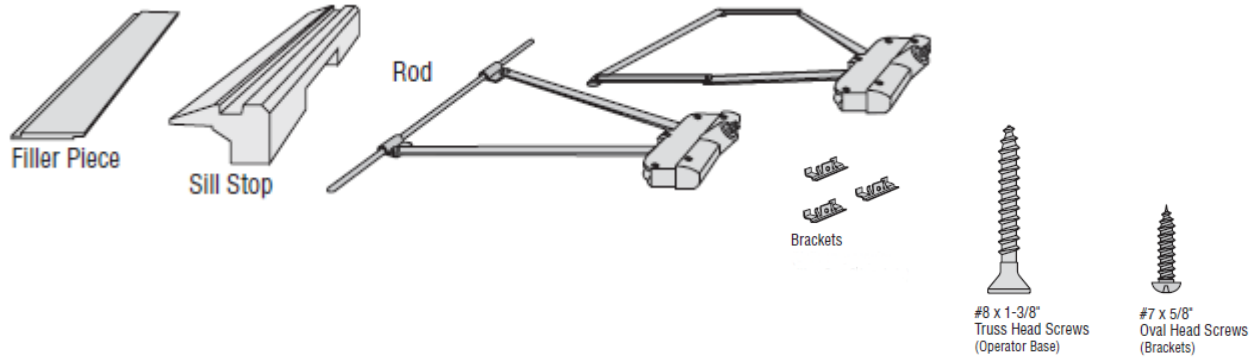
Extension Cord - Command Center (1984-2013)		
	Length	Order No.
	10 ft	1521916
	20 ft	1521922
Extension Cord - Power (1984-2013)		
	Length	Order No.
	10 ft	1521902
	20 ft	1521908

Perma-Shield® Enhanced Awning Windows (1996 to 1998)

Standard and Picture Windows

Hardware

Operator Conversion Kits - Electric Opener (1996 - 1998)



Kit Includes:

Operator, bracket rod, screws, filler strip, and stop sill vent (PSA). Order awning mounting bracket with screws separately [page 43](#). Sill stop is PSA (1966-1996) vintage.

Operator Conversion Kit - Electric Opener (1996-2013)

Unit No.	Order No.	Unit No.	Order No.
A2	1507092	A4	1507096
A25	1507093	A45	1507097
A28	1507083	A5	1507098
A3	1507094	A55	1507084
A35	1507095	A6	1507085

Operator - Amerock / A21 / A2-7184 (1981-2013)

	<p>Includes: Brackets and screws</p>	Stone
		1521608

Operator - Amerock / A3 / A3-7082 (1981-2013)



	<p>Includes: Brackets and screws</p>	Stone
		1521604

Shoe Kit (1981-2013)

	<p>Note: Used on two arm operator design. Includes shoe, rivet, lock washer and bolt</p>	Order No.
		1521610

Hardware

Hardware Packs - Folding

Hardware Pack - Folding / Traditional			
	<p>Note: This style was not offered from 1996-1998. If upgrading to this style, the cover and lock bezel in this kit does not fit the profile of your 95-98 Enhanced Awning stops; you must also order a lock bezel, page 49, and a Metro style operator cover, page 48 if those parts are not currently installed on window.</p> <p>Pack Includes: Lock bezel, lock handle, handle and cover</p>	Color	Order No.
		Stone	1521041
		White	1521039
Hardware Pack - Folding / Contemporary			
	<p>Note: This style was not offered from 1996-1998. If upgrading to this style, the cover and lock bezel in this kit does not fit the profile of your 95-98 Enhanced Awning stops; you must also order a lock bezel, page 49, and a Metro style operator cover, page 48 if those parts are not currently installed on window.</p> <p>Pack Includes: Lock bezel, lock handle, handle and cover</p>	Color	Order No.
		Stone	1521042
		White	1521040




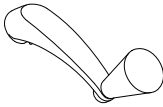


Hardware Kits

Note:
Hardware kits are no longer available. Parts may be ordered separately.

Perma-Shield® Enhanced Awning Windows (1996 to 1998)

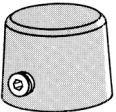
Standard and Picture Windows




Hardware

Handles			
Handle - Classic			
		Color	Order No.
		Stone	1361358
		White	1361356
Handle - Metro			
	Note: Set screw ships with handle. Handle folds similar to traditional and contemporary folding handles. If N/A, consider upgrading to current folding handle hardware pack (replacing all pack components).	Color	Order No.
		Stone	N/A
		White	N/A
Handle - Estate			
		Color	Order No.
		Bright Brass	1361386
		Chrome	1361390
		Brushed Chrome	1300038
		Oil Rubbed Bronze	1300033
Handle - Easy Grip			
		Color	Order No.
		Stone	1361378
		White	1361377
Handle - T			
	Note: See Accessory Guide 0005237 . T-Handle may not rest flush on operator stud.	Color	Order No.
		Stone	1361487
		White	1361488
Handle - Compact Operator			
		Color	Order No.
		Stone	1361804
		White	1351334

Hardware

Handle Parts		
Handle - Set Screw		
		Order No.
		9066668

Hardware			
Operator Spline Cover with Screws			
	Note: Spline cover must not be used in egress situations.	Color	Order No.
		Stone	1351322
		White	1351336



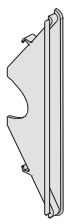

Operator Covers			
Operator Cover - Classic			
		Color	Order No.
		Stone	1361359
		White	1361357
Operator Cover - Metro			
		Color	Order No.
		Stone	N/A
		White	1361363
Operator Cover - Estate			
		Color	Order No.
		Bright Brass	1361387
		Chrome	1361391
		Brushed Chrome	1500005
		Oil Rubbed Bronze	1500002

Perma-Shield® Enhanced Awning Windows (1996 to 1998)

Standard and Picture Windows

Hardware

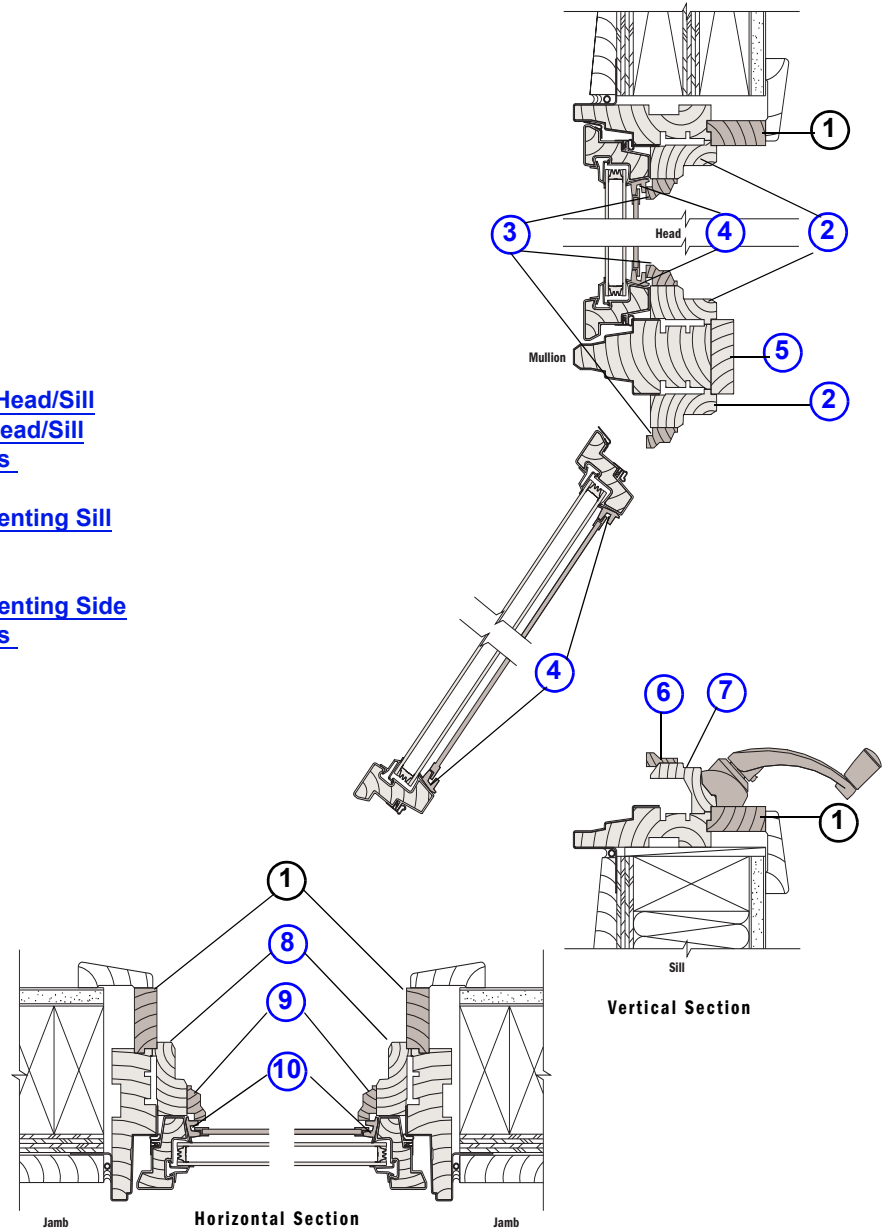
Locks and Lock Components

Lock with Screws - Concealed / Lower			
	Description	Left	Right
	Note: Awning locks are viewed from the interior.	1361902	1361901
Lock Keeper - Concealed			
		Left	Right
		1521129	1521128
Bezel - Concealed Lock / Classic			
		Finish	Order No.
		Stone	1361921
		White	1361920
		Bright Brass	N/A
		Antique Brass	N/A
		Chrome	N/A
Handle - Concealed Lock / Classic			
		Finish	Order No.
		Stone	1361916
		White	1361915
		Bright Brass	1361917
		Antique Brass	1361918
		Chrome	1361919

Frames

Frame Assembly - Standard Window

1. Extension Jamb
2. [Stop-Stationary Head/Sill](#)
3. [Stop-Art Glass Head/Sill](#)
4. [Bracket-Art Glass](#)
5. [Casing-Factory](#)
6. [Stop-Art Glass Venting Sill](#)
7. [Stop-Sill](#)
8. [Stop-Side](#)
9. [Stop-Art Glass Venting Side](#)
10. [Bracket-Art Glass](#)



Perma-Shield® Enhanced Awning Frame Assembly

Frames

Frame - Standard Window

Note:
Frames are not available.

Perma-Shield® Enhanced Awning Windows (1996 to 1998)

Standard and Picture Windows

Frames

Head and Sill Stops

Stop - Head & Sill					
		Unit No.	Venting Sill	Head with Strike	Head/ Sill Stationary
		A2	1508631	1508625	1352672
		A25	1582750	1582746	1352673
		A3	1508632	1508626	1352674
		A35	1508633	1508627	1352675
		A4	1508634	1508628	1352676
		A45	1508635	1508629	1352677
		A5	1508636	1508630	1352678
		A6	N/A	8045001	1352681

Side Stops

Stop - Side with Strike				
	Note:	Unit No.	Left	Right
	Handing determined as viewed from interior.	AR1	1508638	1508637
		AN1	1508640	1508639
		A1	1508642	1508641
		AW1	1508644	1508643
		AXW1	1508646	1508645
		A35	1508649	1508650
		AP2	1508648	1508647
		A25	By description	By description

Stop - Stationary / Side

	Note:	Unit No.	Order No.
	Stationary Awning side stops can be found in the Casement section. You will use as head and sills.	AR1	1352637
		AN1	1352633
		A1	1352632
		AW1	1352638
		AXW1	1352639
		AP2	1352634
		A25	1352716
		AP3	1352635

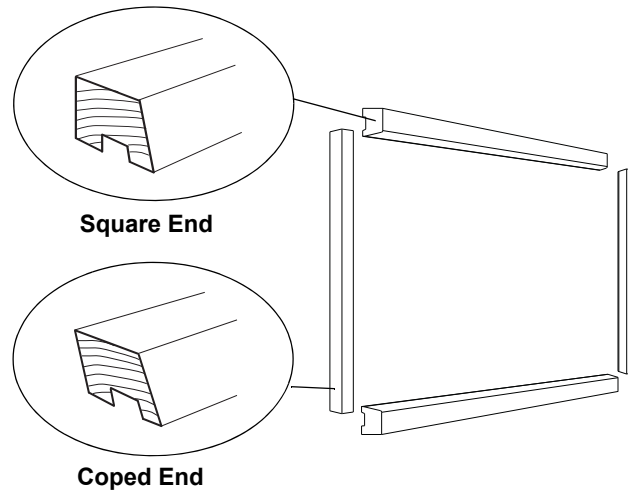
Stop - Lower Side

	Note:	Unit No.	Left	Right
	Handing determined as viewed from interior.	AP2V	1508612	
		AP30	1508604	1508608

Frames

Stops - Picture Windows

Glass Stop - Picture Window / Direct Set



Glass Stop - Picture Window / Direct Set

Side / Coped End			Head and Sill / Square End		
Unit No.	Length	Natural Wood	Unit No.	Length	Natural Wood
P30	32 ⁴⁵ / ₆₄	1351663	P30	33 ⁴¹ / ₆₄	1351658
P35	37 ³⁷ / ₆₄	1351664	P35	38 ³³ / ₆₄	1351659
P40	44 ⁴⁹ / ₆₄	1351665	P40	45 ⁴⁵ / ₆₄	1351660
P45	49 ³⁷ / ₆₄	1351666	P45	50 ³³ / ₆₄	1351661
P50	56 ⁴¹ / ₆₄	1351667	P50	57 ³⁷ / ₆₄	1351662
P55	61 ³⁷ / ₆₄	1351668			
P60	68 ⁴¹ / ₆₄	1351669			

Trim Stop - Picture Window / Direct Set

Note:

The 55 and 60 width picture units use a side stop as the head and sill stop replacement. For these same 55 and 60 width units a head and sill stop will be used as the side stop. To ensure correct replacement, measure stop length.

Side / Coped End			Head and Sill / Square End		
Unit No.	Length	Order No.	Unit No.	Length	Order No.
P30	31 ¹⁵ / ₃₂	1351676	P30	33 ⁵ / ₃₂	1351671
P35	36 ¹¹ / ₃₂	1351677	P35	38 ¹ / ₃₂	1351672
P40	43 ¹⁷ / ₃₂	1351678	P40	45 ⁷ / ₃₂	1351673
P45	48 ¹¹ / ₃₂	1351679	P45	50 ¹ / ₃₂	1351674
P50	55 ¹³ / ₃₂	1351681	P50	57 ³ / ₃₂	1351675
P55	60 ¹¹ / ₃₂	1351682			
P60	67 ¹³ / ₃₂	1351683			

Perma-Shield® Enhanced Awning Windows (1996 to 1998)

Standard and Picture Windows

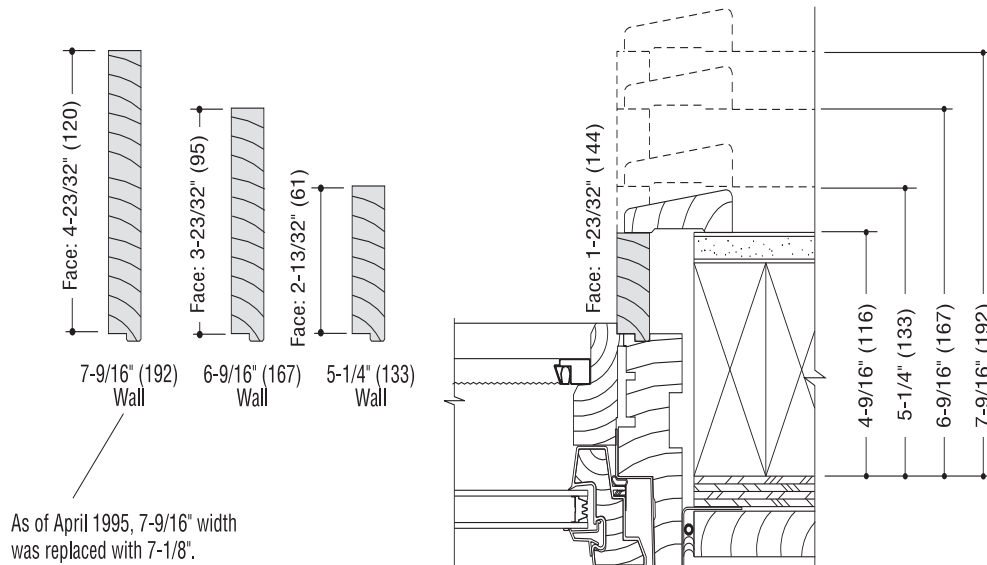
Frames

Stop - Picture Window / Sash			
	Unit No.	Length	Order No.
	CP2	44 ¹³ / ₁₆	1352634
	CP3	68 ¹¹ / ₁₆	1352635
	CP30		By description
	CP35	37 ⁹ / ₁₆	1352636
	CP50	56 ¹¹ / ₁₆	1352631

Stop - Standard and Picture Window / Stationary / No Strike / Sash (Pair)			
	Unit No.	Length	Order No.
	C2/CP2/A2	21 ¹⁹ / ₃₂	1352672
	C25/CP25	25 ²⁷ / ₃₂	1352673
	C3/CP3	33 ¹³ / ₃₂	1352674
	C35/CP35	38 ⁹ / ₃₂	1352675
	C4/CP4	45 ¹⁵ / ₃₂	1352676
	C45/CP45	50 ⁹ / ₃₂	1352677
	C5/CP5	57 ¹¹ / ₃₂	1352678
	C55/CP55	62 ⁹ / ₃₂	1352679
	C6/CP6	69 ¹¹ / ₃₂	1352681

Frames

Extension Jamb



Perma-Shield® Enhanced Awning Extension Jamb

Extension Jamb - Standard Window

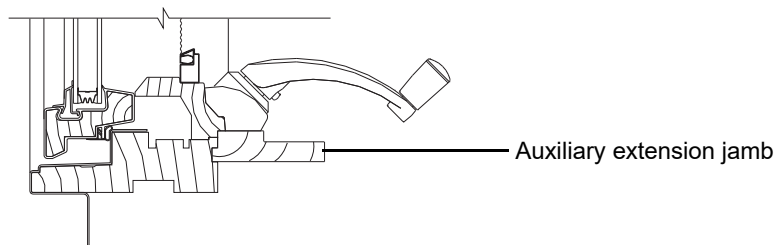
Note:

Replacement is new profile, same as what is found in Perma-Shield® Improved Awning section. Alignment issues may exist when using new extension jambs on old frames.

Auxiliary Extension Jamb

Note:

Replacement is new profile, same as what is found in Perma-Shield® Improved/EZ Awning section. Alignment issues may exist when using new extension jambs on old frames.



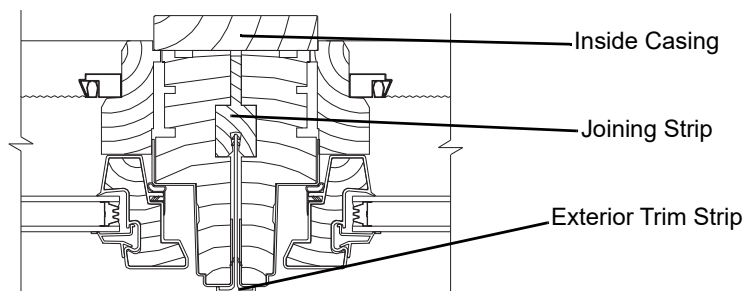
Perma-Shield® Enhanced Awning Auxiliary Extension Jamb

Perma-Shield® Enhanced Awning Windows (1996 to 1998)

Standard and Picture Windows

Joining Components

Narrow Mullion



Perma-Shield® Enhanced Awning Narrow Mullion

Exterior Trim Strip - Narrow Mullion / 3/4" Vinyl				
Unit No.	Dimensions	White	Terratone®	Sandtone
AR1	16 ¹⁵ / ₁₆	1506814	2106814	0638504
AN1	20 ⁷ / ₁₆	1506816	2106816	0638502
A1	24 ¹ / ₁₆	1506820	2106820	0607202
AW1	28 ⁵ / ₁₆	1506822	2106822	0638506
AXW1	35 ¹⁵ / ₁₆	1348008	1448008	0607204
144 in	144	1348520	1448520	0607234
Inside Casing - Narrow Mullion / Natural Wood				
Unit No.	Dimensions	2 ³ / ₈ "	2 ⁵ / ₈ "	2 ⁷ / ₈ "
AR1	14 ²³ / ₃₂	1507632	8154121	1507604
AN1	18 ⁷ / ₃₂	1507631	8154122	1507606
A2/A21	21 ²⁷ / ₃₂	1349006	1506920	1507608
AW1	26 ³ / ₃₂	1389520	1386804	1507620
A2	45 ²³ / ₃₂	1349006	1506920	1507612
A3	69 ⁵ / ₈	1349008	1349030	1507616
A4	45 ⁷ / ₃₂	1349012	1349032	1349039
A45	50 ¹ / ₃₂	1349014	1349033	1349040
A5	57 ³ / ₃₂	1349016	1349034	1349041
A6	69 ³ / ₃₂	1349020	1349036	1349043
144"	144	1349024	1386814	1507624
96"	96	1349022	1386812	1507622

Joining Components

Exterior flashing - Narrow Mullion		
	Color	Order No.
	White	1356008
	Terratone®	1456008
	Sandtone	0608402

Joining Strip - Narrow Mullion (2 piece)					
Unit No.	Length	Order No.	Unit No.	Length	Order No.
AR1	8 ⁵ / ₈	1506414	AW1/A25	14 ⁵ / ₁₆	1506422
AN1	10 ³ / ₈	1506416	AXW1/A3	18 ¹ / ₈	1347008
A2/A1	12 ³ / ₁₆	1506420	A3/A6	36 ¹ / ₁₆	1506424

Gusset Plate - Narrow Mullion / Head and Sill	
	Order No.
	1359508

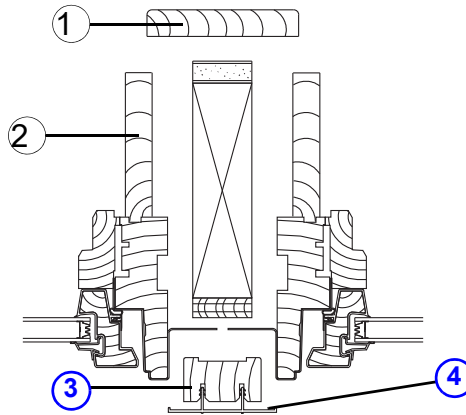
Factory Mullion - Inside Casing			
Inside Casing - Factory Mullion / 2"			
	Unit No.	Dimensions	Order No.
	A4	45 ²³ / ₃₂	8055402

Perma-Shield® Enhanced Awning Windows (1996 to 1998)

Standard and Picture Windows

Joining Components

Support Mullion



Support Mullion

1. Inside Casing*
2. Extension Jamb
3. [Support Mull Filler](#)
4. [Exterior Trim Strip](#)

*Supplied by others

Perma-Shield® Enhanced Awning Support Mullion

Joining Kit - Support Mullion

Kit Includes:

Support mullion filler strip, support mullion flashing, support mullion trim strip

Unit No.	White	Terratone®	Sandtone
A1	1507008	2106908	0607402
AN1	1507006	2106906	0638604
AR1	1507004	2106904	0638602
AW1	1507010	2106910	0638606

Exterior Trim Strip - Support Mullion Ref. No 4

Note:

If a part number is not provided, use longer length trim strip and cut to size or order specific length by description.

Unit No.	Dimensions	White	Terratone®	Sandtone
AR	16 ¹⁵ / ₁₆	8045518	8045519	8045520
AN	20 ⁷ / ₁₆	8045515	8045516	8045517
A1	26 ¹ / ₁₆	8015503	8015504	0611002
A3/AXW1	35 ⁷ / ₈	8015509	1449008	0611004
A35	40 ³ / ₄	8015510	1449012	0611006
A4	47 ¹³ / ₁₆	8015511	1449016	0611008
A45	52 ³ / ₄	8015512	8015513	0611010
A5	59 ³ / ₁₆	8015514	1449020	0611012
A55	64 ³ / ₄	8015515	8015516	0611014
A6	71 ¹³ / ₁₆	8015517	1449024	0611016
AW1	28 ⁵ / ₁₆	8015506	8015507	8015508
AXW1	35 ⁷ / ₈	8015509	1449018	0611004
144"	144	1348620	1448620	0611034

Joining Components

Filler - Support Mullion Ref. No 3					
Unit No.	Dimensions	Order No.	Unit No.	Dimensions	Order No.
AR1	16 ⁷ / ₈	By description	A30/AXW1	35 ¹³ / ₁₆	8015603
AN1	20 ³ / ₈	By description	A2	47 ⁷ / ₈	8015605
A1	24	8015601	A3	71 ³ / ₄	8015609
AW1	28 ¹ / ₄	8015602	72"	72	1348812

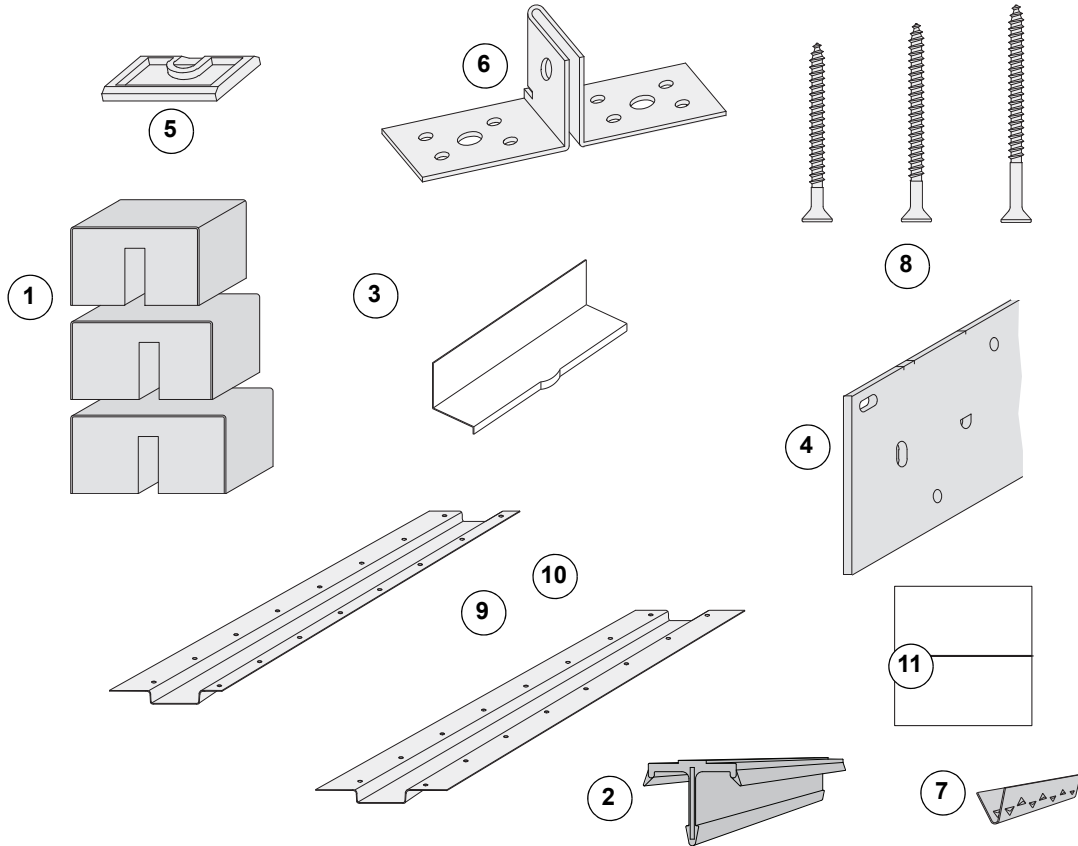
Exterior Flashing - Support Mullion - 6"			
	Length	Color	Order No.
	6"	White	1356012
		Terratone®	1456012
		Sandtone	0608404

Joining Components

Reinforced Mull Joining Components - Steel

Notes:

See [Joining Guide 0005172](#)



**Steel Reinforced Narrow Mullion
for Casement, Awning, Specialty, and Circle Top™ Windows**

IMPORTANCE OF PROPER SELECTION:

It is essential that you select the proper joining members for Andersen windows. Andersen strongly recommends consultation with an experienced structural engineer, contractor, architect or your local Andersen window supplier prior to the installation of any Andersen product. Installation of Andersen products is the sole responsibility of the architect, building owner, contractor, and/or consumer, and Andersen has no responsibility in this regard. For more information about joining materials, please see the Andersen Residential Product Guide, the Andersen Commercial Catalog, or the Andersen Architectural Detail File.

Joining Components

Inside Casing Ref. No. 1 page 60					
	Species/Color	Length	2 3/8"	2 5/8"	2 15/16"
	Pine	96"	2340602	2340606	2340614
	White		2340617	2340619	2340621
	Pine	144"	2340604	2340608	2340616
	White		2340618	2340620	2340622

Exterior Trim Strip - Reinforced Mullion Ref. No. 2 page 59						
Note: See Sealant .						
	Length	White	Terratone®	Sandtone	Forest Green	Canvas
	96"	2340504	2340508	2340512	2340528	9043184
	150"	2340502	2340506	2340510	2340526	9043183

Exterior Narrow Mull Flashing Ref. No. 3 page 59						
	Length	White	Terratone®	Sandtone	Forest Green	Canvas
	6"	1356008	1456008	0608402	0514129	-

Joining Strip - Steel Reinforced Mullion Ref. No. 4 page 59					
				Unit Size	Order No.
				96 1/4"	2340406
				114"	2340408
			150"	2340410	


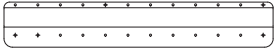
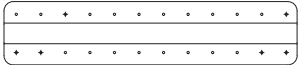
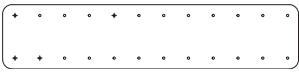
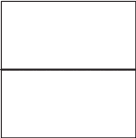
End Bracket Kit - Steel Reinforced Mullion / PSC/A/CT/FF Ref. No. 5 to 8 page 59		
	Includes: Instruction Sheet, Trim Strip Clips, Screw Packages RMA1, RMB1, RMC1, Location Blocks and 2 - End brackets.	Order No.
		2340414

End Bracket - Steel Reinforced Mullion Ref. No. 6 page 59	
	Order No.
	2340424

Perma-Shield® Enhanced Awning Windows (1996 to 1998)

Standard and Picture Windows

Joining Components

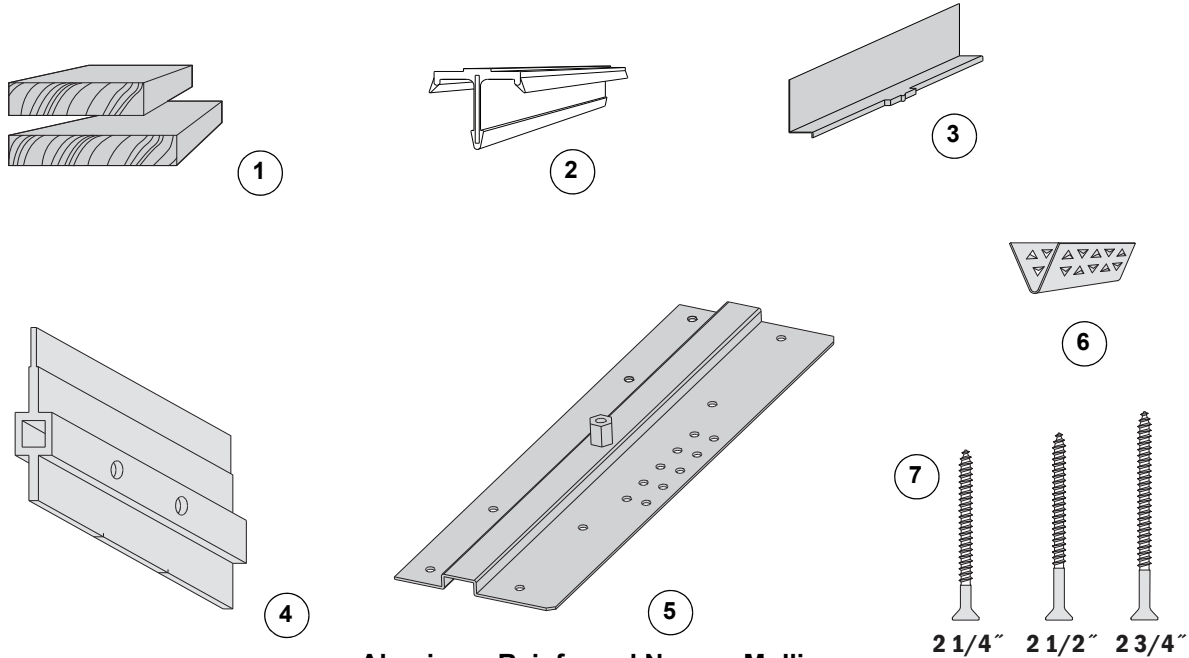
Clip - Trim Strip / Reinforced Mullion Ref. No. 7 page 59		
Note: 96" trim strip uses 14 clips. 150" trim strip uses 21 clips.		
		Order No. 2340423
Gusset Plate Kit - Steel Reinforced Mullion / ET Ref. No. 11, 5, and 7 page 59		
	Includes: Gussets, location locks and screw packages: RMA-2, RMB-2, RMC-2.	Order No. 2340416
Gusset Plate - Metal / PS/FF Ref. No. 9 page 59		
		Order No. 2250208
Gusset Plate - Head and Sill Ref. No. 10 page 59		
		Order No. 1359508
Gusset Plate - CTC/CTN/ET/DH		
		Order No. 1359510
Flange Gasket - Mull Ref. No 11 page 59		
	Note: Used over flange.	Order No. 9122508

Joining Components

Reinforced Mull Joining Components - Aluminum

Notes:

See [Joining Guide 0005165](#).



**Aluminum Reinforced Narrow Mullion
for Casement, Awning, Specialty, and Circle Top™ Windows**

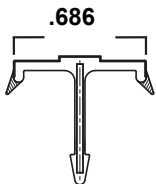
Inside Casing - Aluminum Reinforced Mullion Ref. No. 1

	Length	2 3/8"	2 5/8"	2 7/8"
		Casement to Casement	Casement to Flexiframe	Flexiframe to Flexiframe
	96"	1349022	1386812	1507622
	144"	1349024	1386814	1507624

Exterior Trim Strip - Reinforced Mullion Ref. No. 2

Note:

See [Sealant](#).



Unit Size	White	Terratone®	Sandtone	Forest Green	Canvas
96"	2340504	2340508	2340512	2340528	9043184
150"	2340502	2340506	2340510	2340526	9043183

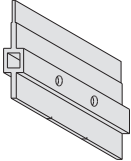
Exterior Flashing Ref. No. 3

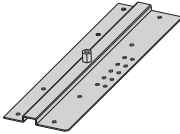
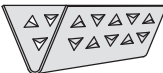
Length	White	Terratone®	Sandtone	Forest Green	Canvas
6"	1356008	1456008	0608402	0514129	9033568

Perma-Shield® Enhanced Awning Windows (1996 to 1998)

Standard and Picture Windows

Joining Components

Joining Strip - Reinforced Mullion Ref. No. 4			
		Unit Size	Order No.
		72 ³ / ₃₂ "	2340402
		92"	2340404

End Plate Kit - Reinforced Mullion / PSC/A/CT/FF Ref. No. 5, 6, and 7 page 62			
	Includes: End plates, trim strip clip, and screws		Order No.
			2340412
End Plate - Reinforced Mullion Ref. No. 5 page 62			
			Order No.
			2340422
Trim Clip - Reinforced Mullion Ref. No. 6 page 62			
Note: 96" trim strip uses 14 clips. 150" trim strip uses 21 clips.			
			Order No.
			2340423

Art Glass Components

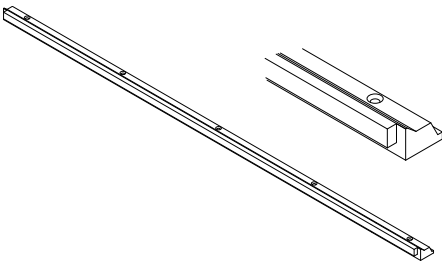
Art Glass (1996 to Present)

Note:

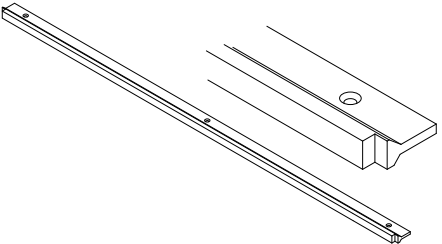
Information about ordering replacement art glass panels can be found in the Andersen Art Glass section of the catalog.

Art Glass Trim Stops (1996 to Present)

Trim Stop - Standard Window / Head and Sill

	Unit No.	Length	Order No.
	AG A2	19 1/2	2370459
	AG A25	23 3/4	2370460
	AG A28	26 7/8	2370530
	AG A3	31 5/16	2370461
	AG A35	36 3/16	2370462
	AG A4	43 3/8	2370463
	AG A45	48 3/16	2370464
	AG A5	55 1/4	2370465
	AG A55	60 3/16	2370466
AG A6	67 1/4	2370467	

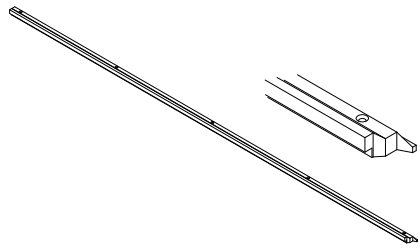
Trim Stop - Standard Window / Venting / Sill

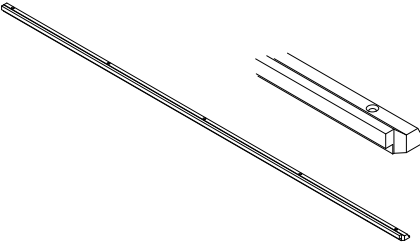
	Unit No.	Length	Order No.
	AG A2	19 1/2	2370468
	AG A25	23 3/4	2370469
	AG A28	26 7/8	2370528
	AG A3	31 5/16	2370470
	AG A35	36 3/16	2370471
	AG A4	43 3/8	2370472
	AG A45	48 3/16	2370473
	AG A5	55 1/4	2370474
	AG A55	60 3/16	2370475
AG A6	67 1/4	2370476	

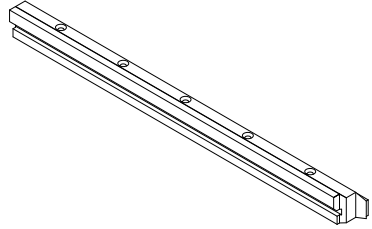
Perma-Shield® Enhanced Awning Windows (1996 to 1998)

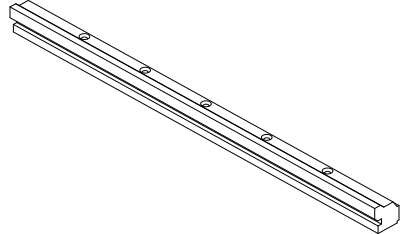
Standard and Picture Windows

Art Glass Components

Trim Stop - Standard Window / Stationary / Side			
	Unit No.	Length	Order No.
	AG AR	11 ³ / ₄	2370489
	AG AN	15 ¹ / ₄	2370490
	AG A	18 ⁷ / ₈	2370491
	AG AW	23 ¹ / ₈	2370492
	AG AXW	30 ¹¹ / ₁₆	2370493
	AG AX	26 ¹ / ₄	2370526
	AG AP35	35 ¹ / ₂	2370494
	AG AP2	42 ³ / ₄	2370495
	AG AP3	66 ⁵ / ₈	2370496

Trim Stop - Standard Window / Venting / Side				
	Unit No.	Length	Left	Right
	AG AR	12 ⁵ / ₈	2370483	2370477
	AG AN	15 ⁷ / ₈	2370484	2370478
	AG A	19 ¹ / ₂	2370485	2370479
	AG AW	23 ³ / ₄	2370486	2370480
	AG AXW	31 ⁵ / ₁₆	2370487	2370481
	AG AX		2370532	2370531
	AG AP35	36 ¹ / ₈	2370488	2370482

Trim Stop - Picture Window / Side			
	Unit No.	Length	Order No.
	AG P30	30 ¹³ / ₁₆	2370497
	AG P35	35 ¹¹ / ₁₆	2370498
	AG P40	42 ⁷ / ₈	2370499
	AG P45	47 ¹¹ / ₁₆	2370501
	AG P50	54 ³ / ₄	2370502
	AG P55	59 ¹¹ / ₁₆	2370503
	AG P60	66 ³ / ₄	2370504

Trim Stop - Picture Window / Head and Sill			
	Unit No.	Length	Order No.
	AG P30	31 ¹ / ₄	2370505
	AG P35	36 ⁵ / ₈	2370506
	AG P40	43 ¹³ / ₁₆	2370507
	AG P45	48 ⁵ / ₈	2370508
	AG P50	55 ¹¹ / ₁₆	2370509
	AG P55	60 ⁵ / ₈	2370510
	AG P60	67 ¹¹ / ₁₆	2370511

Art Glass Components

Art Glass Hardware		
Bracket - Standard with Screws		
	Package Includes: (2) Upper Brackets Fasteners See Accessory Guide 0005169 .	Order No. 2370024
Screw Package		
	Description Brass oval head, AG 1x5 STD	Order No. 2370026

Bracket Package - Standard / Top and Bottom				
	Package Includes: (2) Upper Brackets (2) Lower Brackets Shims Fasteners See Accessory Guide 0005169 .	Panel Size	Qty. needed	Order No.
		5" - 36"	1	2370020
		37" - 60"	2	
	61" - 70"	3		

Perma-Shield® Enhanced Awning Windows (1996 to 1998)

Service Replacement

Service Replacement Only Parts

Service Replacement Only Parts

Note:

This section is specifically designed for parts that should only be ordered if a Territory Service Manager/Service Provider Company has requested them to be ordered or if the customer agrees to also pay for a non-warranty repair/replace service job (subject to availability) for these parts to be installed. We do not recommend anyone other than a trained AW employee or Service Provider install these parts due to the complexity of installation, modifications required for installation and/or requirement of special tools.

Cartons

Cartons - Picture Window Sash

Unit No.	Order No.	Unit No.	Order No.	Unit No.	Order No.
A335	9071989	CP305/AP530	9071962	CP355/AP535	9071968
CP23/AP32	9071971	CP3055/AP5530	9071963	CP3555/ P5535	9071969
CP235/AP352	9071972	CP306/AP630	9071964	CP356/AP635	9071970
CP24/AP42	9071973	CP33/AP33	9071984	CP503/AP350	9098429
CP245/AP452	9071974	CP335/AP353	9071985	CP5035/AP3550	9071978
CP25/AP52	9071975	CP34/AP43	9071986	CP504/AP450	9071979
CP255/AP552	9071976	CP345/AP453	9071987	CP5045/AP4550	9071980
CP26/AP62	9071977	CP35/AP53	9071988	CP505/AP550	9071981
CP303/A330S	9071965	CP3535/A3535S	9071990	CP5055/AP5550	9071982
CP304/AP430	9071960	CP354/AP435	9071966	CP506/AP650	9071983
CP3045/AP4530	9071961	CP3545/AP4535	9071967		

Notes
