

What's in This Section

Venting Roof Windows-RV (1992 to 2009)	Page 5
Parts Illustration	5
Unit Sizes	6
Sash	7
Glass Size Table	7
Illustration - Sash Assembly	7
Sash Covers	8
Sash	8
Weatherstrip	9
Insect Screens	10
Insect Screens	10
Insect Screen Parts	10
Hardware	11
Operator - Amerock / Roto	11
Hardware	12
Frames	13
Frames	13
Glass Retainers	13
Frame Gaskets	14
Venting/Tilting Roof Windows-RT (1992 to 1996)	Page 15
Parts Illustration	15
Unit Sizes	16
Sash	17
Illustration - Sash Assembly	18
Insect Screens	19
Insect Screens	19
Insect Screen Parts	19
Hardware	20
Operator - Amerock / Roto	20
Hardware	21
Frames	22
Frames	22
Frame Parts	22
Venting Roof Windows-RW (1983 to 1993)	Page 23

Parts Illustration	23
Unit Sizes	24
Sash	25
Illustration - Sash Assembly	25
Glass Size Table	26
Illustration - Sash Cover	27
Illustration - Covers, Retainers & Gaskets	28
Illustration - Sash Hardware / Venting Roof Windows	29
Insect Screens	30
Insect Screens	30
Frames	31
Illustration - Frame Assembly	31
Frame Parts	32
Stationary Roof Windows-RS (1991 to 2009)	Page 33
Parts Illustration	33
Unit Sizes	34
Sash	35
Glass Size Table	35
Illustration - Sash Assembly	36
Sash	36
Sash Covers	37
Glass Retainers	37
Weatherstrip	37
Sash Parts	38
Hardware	39
Hardware	39
Frames	40
Frames	40
Frame Parts	40
Stationary Roof Windows-RWS (1985 to 1993)	Page 41
Parts Illustration	41
Unit Sizes	42
Unit Assembly	43
Illustration - Unit Assembly	43
Glass	44
Glass Size Table	44
Frames	45

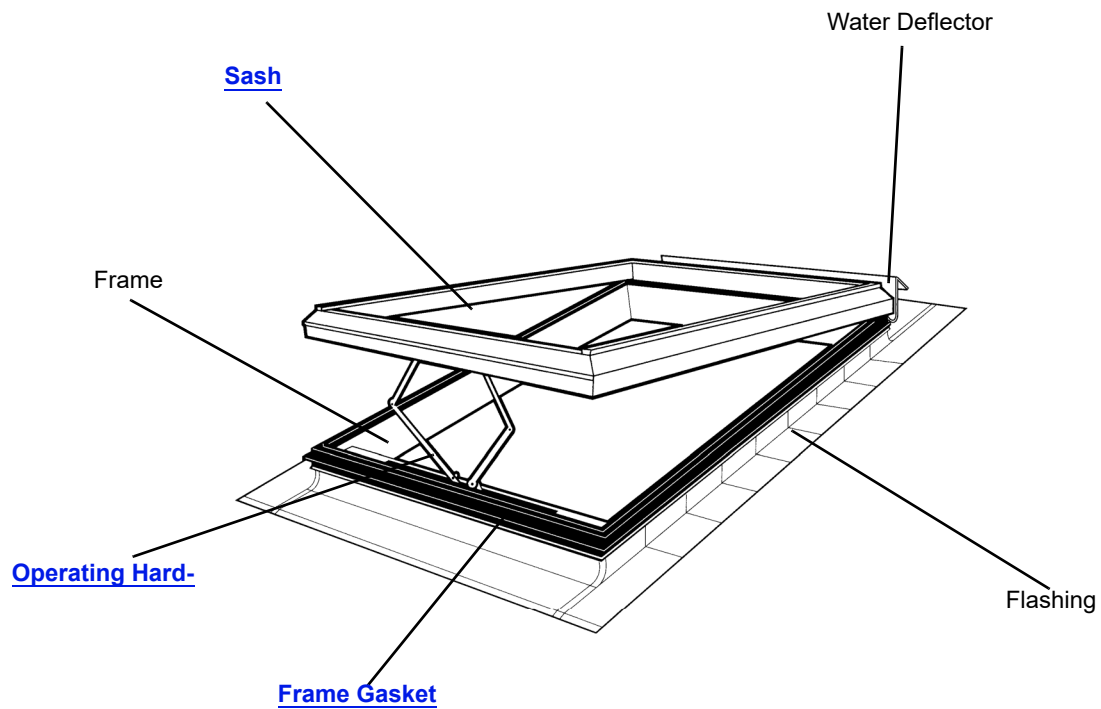
Frames	45
Hardware	46
Optional Accessories	Page 47
Optional Accessories	47
Electric Opener Kit	47
Electric Opener Adaptor	49
Operator Accessories	50
Shades/Opaque/Translucent	51
Shades/Opaque/ Translucent Parts	51
Shades - Pleated	52

Venting & Stationary Roof Windows (1983 to 2009)

Venting Roof Windows-RV (1992 to 2009)

Parts Illustration

Parts Illustration - Venting Roof Windows (1992 to 2009)



Manufactured 1992 to 2009

Venting Roof Window Unit Parts

Unit viewed from exterior.

Unit Sizes

Unit Size Chart - Venting Roof Windows (1992 to 2009)

Note:

Unit Dimension refers to overall outside-to-outside frame. Unobstructed Glass refers to visible glass dimensions. Numbers in parentheses are metric measurements.

	21 1/2"	28"	44"
Unit Dimension	21 1/2" (546)	28" (711)	44" (1118)
Rough Opening	22" (559)	28 1/2" (724)	44 1/2" (1130)
Unobstructed Glass	19" (483)	25 1/2" (648)	41 1/2" (1054)
27" (686) 27 1/2" (698) 24 1/2" (622)			
	RV2127		
38" (965) 38 1/2" (978) 35 1/2" (902)			
	RV2138	RV2838	
46" (1168) 46 1/2" (1181) 43 1/2" (1105)			
	RV2146	RV2846	RV4446
57" (1448) 57 1/2" (1461) 54 1/2" (1384)			
	RV2157	RV2857	

Venting Roof Window Unit Sizes

Unit viewed from exterior.

Venting & Stationary Roof Windows (1983 to 2009)

Sash

Glass Size Table - Venting Roof Windows (1992 to 2009)

Glass Size Table

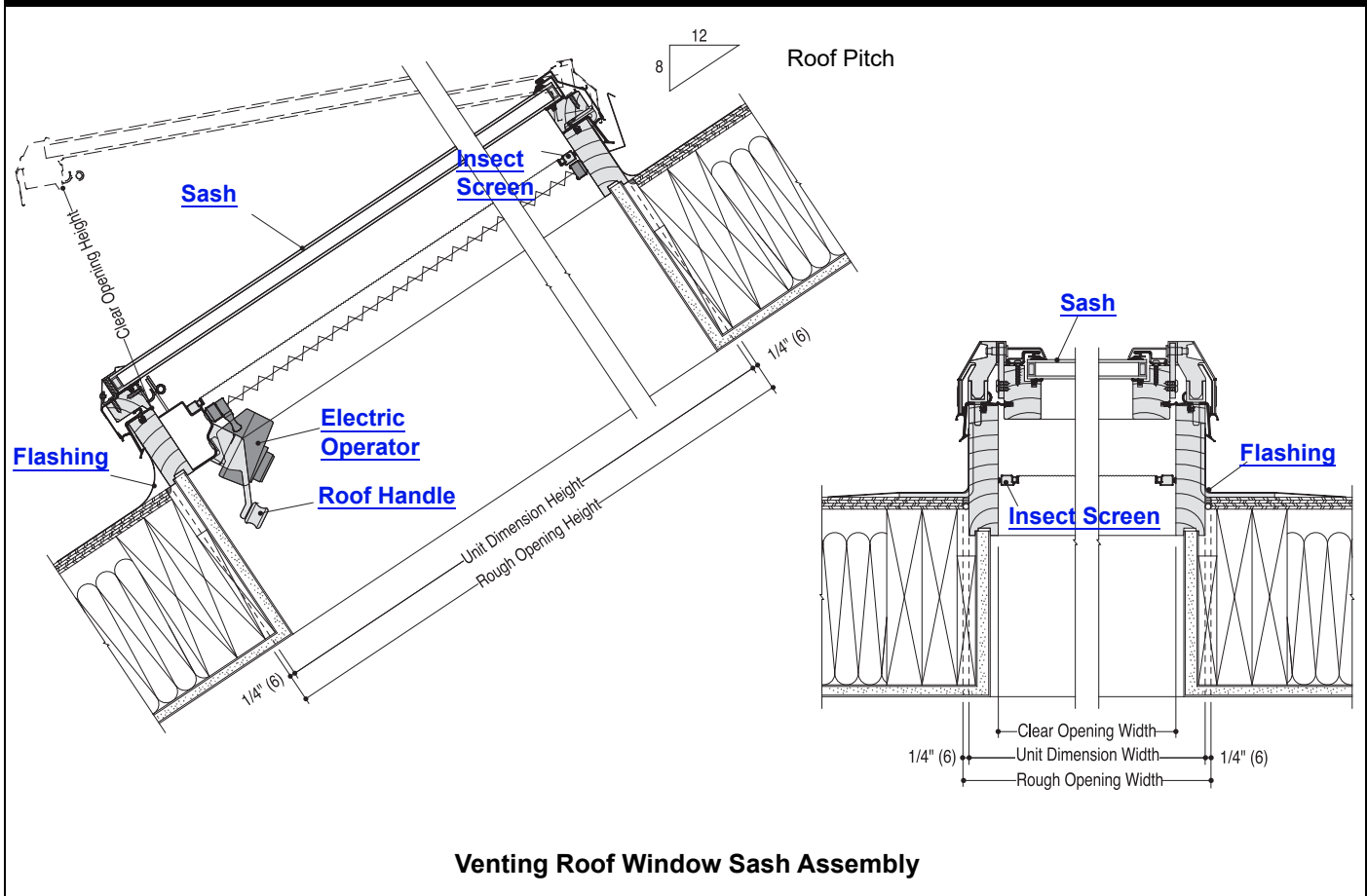
Note:

Unobstructed Glass is dimension from outside edge to outside edge of visible glass only.

Actual Glass is dimension of outside edge to outside edge of glass, including glass that is not visible.

Unit No.	Unobstructed Glass (w x h)	Actual Glass (w x h)
RV2127	19 × 24 1/2	20 3/16 × 26 3/16
RV2138	19 × 35 1/2	20 3/16 × 37 3/16
RV2146	19 × 43 1/2	20 3/16 × 45 3/16
RV2157	19 × 54 1/2	20 3/16 × 56 3/16
RV2838	25 1/2 × 35 1/2	27 3/16 × 37 3/16
RV2846	25 1/2 × 43 1/2	27 3/16 × 45 3/16
RV2857	25 1/2 × 54 1/2	27 3/16 × 56 3/16
RV4446	41 1/2 × 43 1/2	43 3/16 × 45 3/16
RV4457	41 1/2 × 54 1/2	

Illustration - Sash Assembly



Sash

Sash					
Sash - Terratone®					
Unit No.	High Performance Tempered	High Performance Sun Tempered	High Performance Tempered Laminated	High Performance Sun Tempered Laminated	High Performance Sun II Tempered Laminated
RV2127	1854202	1854402	1854302	1854502	By Description
RV2138	1854206	1854406	1854306	1854506	By Description
RV2146	1854210	1854410	1854310	1854510	By Description
RV2157	1854214	1854414	1854314	1854514	By Description
RV2838	1854218	1854418	1854318	1854518	By Description
RV2846	1854222	1854422	1854322	1854522	By Description
RV2857	1854226	1854426	1854326	1854526	By Description
RV4446	1854230	1854430	1854330	1854530	By Description
RV4457	1854234	1854434	1854334	1854534	By Description

Sash Covers

Sash Cover - Left Hand and Right Hand			
	Unit No.	Left	Right
	RV27	1857102	1857110
	RV38	1857104	1857112
	RV46	1857106	1857114
	RV57	1857108	1857116

Sash Cover - Top and Bottom			
	Unit No.	Top	Bottom
	RV21	1857118	1857124
	RV28	1857120	1857126
	RV44	1857122	1857128

Condensation Channel/Operator Channel (1992 to 2009)			
	Unit No.	Dimensions	Unit No.
	RV21	18 ⁶³ / ₆₄	1880280
	RV28	25 ³¹ / ₆₄	1880281
	RV44	41 ³¹ / ₆₄	1880282

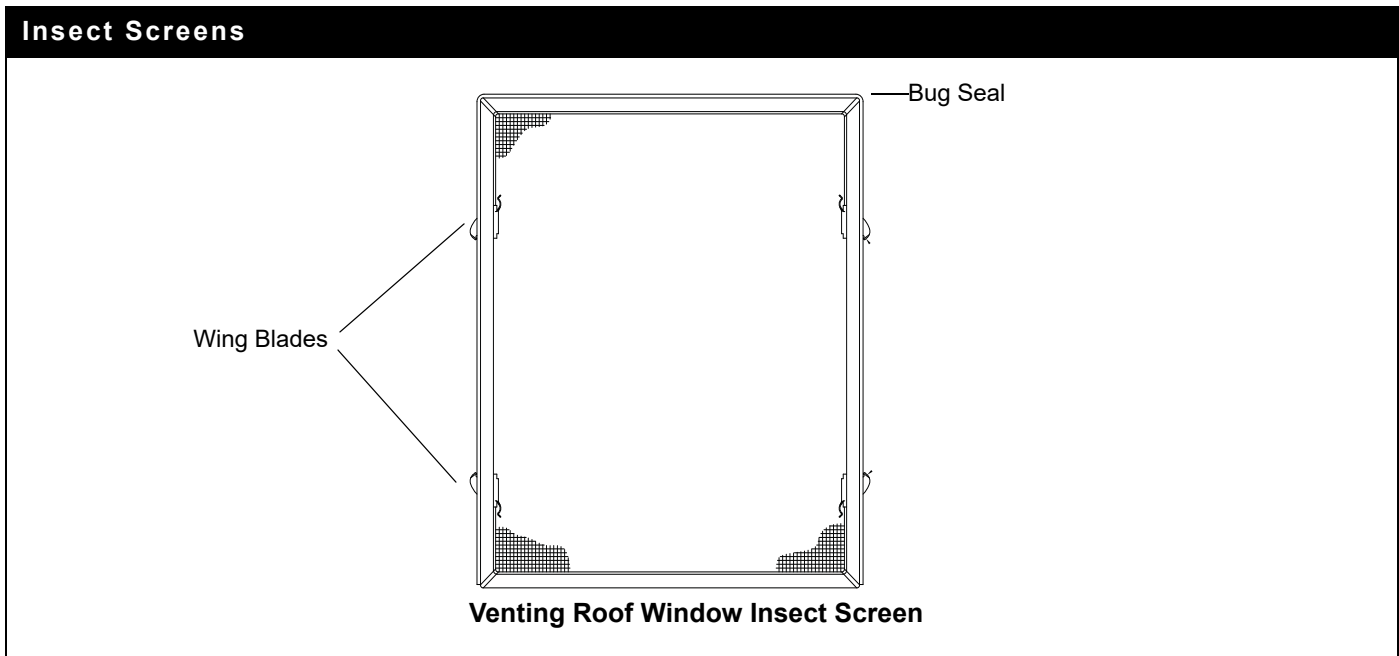
Venting & Stationary Roof Windows (1983 to 2009)

Venting Roof Windows-RV (1992 to 2009)

Sash

Weatherstrip		
Glazing Gasket - Exterior		
	Unit No.	Order No.
	RV2127	1857338
	RV2138	1857340
	RV2146	1857342
	RV2157	1857344
	RV2838	1857346
	RV2846	1857348
	RV2857	1857350
	RV4446	1857352

Insect Screens

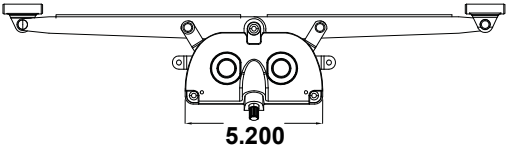


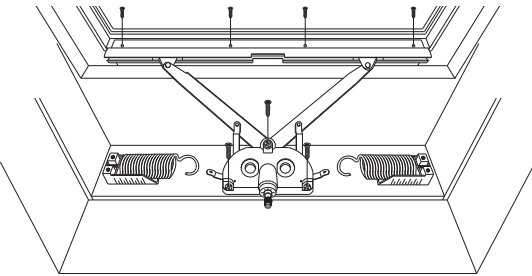
Insect Screens				
	Unit No.	Dimensions	Stone	White
	RV2127	18 ²⁵ / ₃₂ × 23	N/A	N/A
	RV2138	18 ²⁵ / ₃₂ × 34	N/A	N/A
	RV2146	18 ²⁵ / ₃₂ × 42	N/A	N/A
	RV2157	18 ²⁵ / ₃₂ × 53	N/A	N/A
	RV2838	25 ⁹ / ₃₂ × 34	N/A	N/A
	RV2846	25 ⁹ / ₃₂ × 42	N/A	N/A
	RV2857	25 ⁹ / ₃₂ × 53	N/A	N/A
	RV4446	41 ⁹ / ₃₂ × 42	N/A	N/A
	RV4457	41 ⁹ / ₃₂ × 53	N/A	N/A

Insect Screen Parts		
Bug Seal		
	Note: Order by the foot. Replacement weatherstrip/bug seal is adhesive backed.	Order No. 8261001

Venting & Stationary Roof Windows (1983 to 2009)

Hardware

Operator - Amerock / Roto (1998 to 2009)		
Operator - Amerock / Roto (1998 to 2009)		
 <p>5.200</p>		Order No.

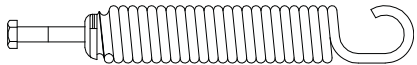
Operator Kit - Venting Roof Window			
	<p>Note: Replaces old style operator. Kit is used to replace 1992 to 1997 operator units.</p> <p>Kit includes: New style straight arm operator, operator channel, screws, silicone and instructions. Kit does not include the operator cover. The operator cover can be ordered separately or the existing cover can be modified.</p>	Unit No.	Order No.
		RV21	N/A
		RV28	N/A
		RV44	N/A

Handle - Operator / Andersen Classic			
		Color	Order No.
		Stone	1361358
		White	1361356

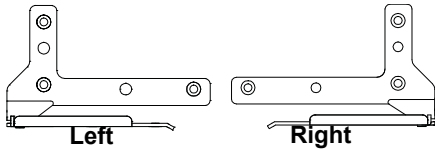
Cover - Operator Hub			
		Color	Order No.
		Stone	1857404
		White	By description

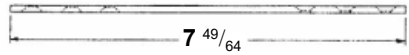
Bracket - Operator Spring			
			Order No.
			1857426

Screw - Operator			
	Description		Order No.
	#8 x 1 1/2"		By description

Spring - Operator			
		Unit No.	Order No.
		RV21	1853322
		RV28	1853323
		RV44	1853324

Hardware

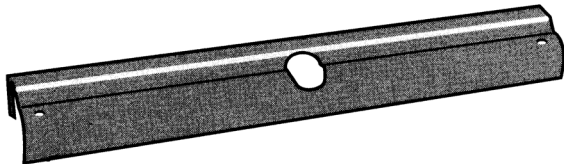
Hardware		
Arm Hinge (May 1992 to 2009)		
 <p>Left Right</p>		
	Left	Right
	1857408	1857410

Mounting Bracket with Screws - Flat		
 <p style="text-align: center;">$7 \frac{49}{64}$</p>	Dimension	Order No.
	$7 \frac{3}{4}'' \times 1 \frac{3}{8}''$	N/A

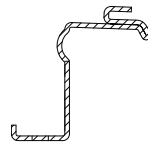
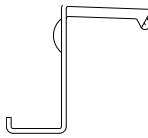
Venting & Stationary Roof Windows (1983 to 2009)

Frames

Frames			
Frame			
	Unit No.	Dimensions (w x h)	Order No.
	RV2127	21 1/2 x 27	N/A
	RV2138	21 1/2 x 38	N/A
	RV2146	21 1/2 x 46	N/A
	RV2157	21 1/2 x 57	N/A
	RV2838	28 x 38	N/A
	RV2846	28 x 46	N/A
	RV2857	28 x 57	N/A
	RV4446	44 x 46	N/A
	RV4457	44 x 57	N/A

Cover - Operator			
	Note: Operator cover uses 8-32 x 1/2 flat head, beige screws. Order separately.	Unit No.	Order No.
		RV21	1880262
		RV28	1880263
		RV44	1880264

Screw - Operator Cover		
	Description	Beige
	8 - 32 x 1/2 flat head	By description

Glass Retainers				
Glass Retainer - Side				
		Unit No.	Left	Right
		RV27	1857202	1857210
		RV38	1857204	1857212
		RV46	1857206	1857214
	RV57	1857208	1857216	
Glass Retainer - Top				
		Unit No.	Unit No.	
		RV21	1857218	
		RV28	1857220	
		RV44	1857222	

Frames

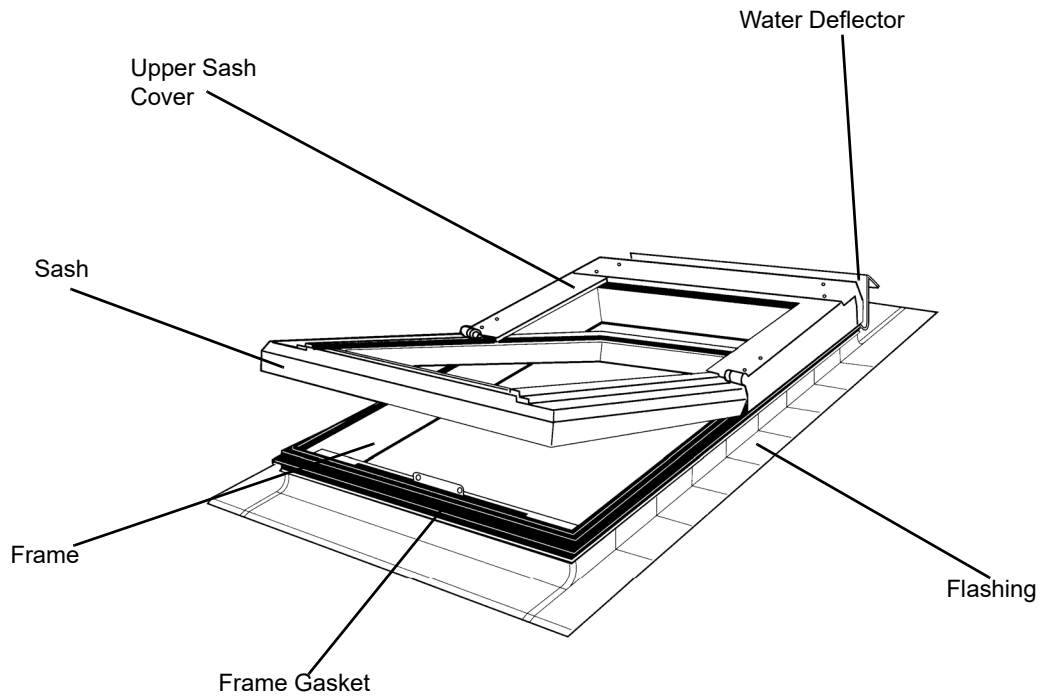
Frame Gaskets			
Frame Gasket			
Unit No.	Order No.	Unit No.	Order No.
R2127	1857302	R2838	1857310
R2138	1857304	R2846	1857312
R2146	1857306	R2857	1857314
R2157	1857308	R4446	1857316
R2172	1857320	R4457	1857318

Venting & Stationary Roof Windows (1983 to 2009)

Venting/Tilting Roof Windows-RT (1992 to 1996)

Parts Illustration

Parts Illustration - Venting/Tilting Roof Windows (1992 to 1996)



**Manufactured 1992 to 1996
Venting/Tilting Roof Window Unit Parts**

Unit viewed from exterior.

Unit Sizes

Unit Size Chart - Venting/Tilting Roof Windows (1992 to 1996)

Note:

Unit Dim. refers to overall outside-to-outside frame. Rgh. Opg. refers to rough stud opening. Unobs. Glass refers to visible glass dimensions.

	UNIT DIM.	21 1/2"	28"	44"
RGH. OPG.		22"	28 1/2"	44 1/2"
UNOBS. GLASS		15 1/8"	21 5/8"	37 5/8"
27"		27 1/2" 20 5/8"		
		RT2127		
38"		38 1/2" 31 5/8"		
		RT2138	RT2838	
46"		46 1/2" 39 5/8"		
		RT2146	RT2846	RT4446
57"		57 1/2" 50 5/8"		
		RT2157	RT2857	RT4457

Venting/Tilting Roof Window Unit Sizes

Unit viewed from exterior.

Venting & Stationary Roof Windows (1983 to 2009)

Sash

Glass Size Table - Venting/Tilting Roof Windows (1992 to 1996)

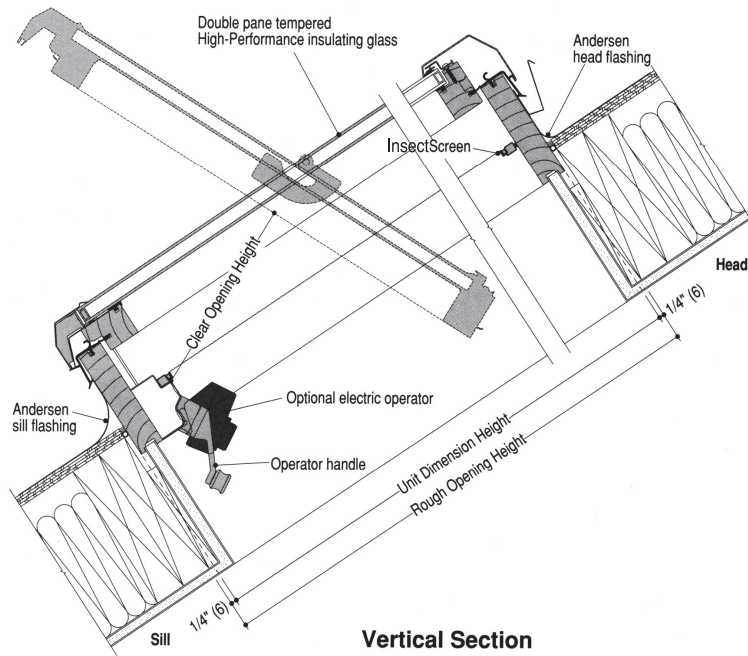
Note:

Unobstructed Glass is dimension from outside edge to outside edge of visible glass only. Actual Glass is dimension of outside edge to outside edge of glass, including glass that is not visible.

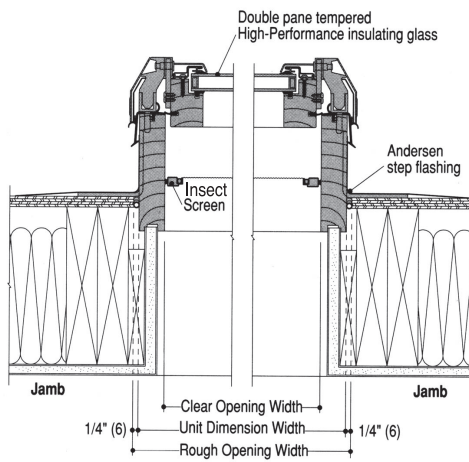
Unit No.	Unobstructed Glass (w x h)	Actual Glass (w x h)
RT2127	15 ¹ / ₈ × 20 ⁵ / ₈	16 ¹ / ₂ × 23 ⁵ / ₁₆
RT2138	15 ¹ / ₈ × 31 ⁵ / ₈	16 ¹ / ₂ × 34 ⁵ / ₁₆
RT2146	15 ¹ / ₈ × 39 ⁵ / ₈	16 ¹ / ₂ × 42 ⁵ / ₁₆
RT2157	15 ¹ / ₈ × 50 ⁵ / ₈	16 ¹ / ₂ × 53 ⁵ / ₁₆
RT2838	21 ⁵ / ₈ × 31 ⁵ / ₈	23 × 34 ⁵ / ₁₆
RT2846	21 ⁵ / ₈ × 39 ⁵ / ₈	23 × 42 ⁵ / ₁₆
RT2857	21 ⁵ / ₈ × 50 ⁵ / ₈	23 × 53 ⁵ / ₁₆
RT4446	37 ⁵ / ₈ × 39 ⁵ / ₈	39 × 42 ⁵ / ₁₆
RT4457	37 ⁵ / ₈ × 50 ⁵ / ₈	39 × 53 ⁵ / ₁₆

Sash

Illustration - Sash Assembly / Venting/Tilting Roof Windows (1992 to 1996)



Vertical Section



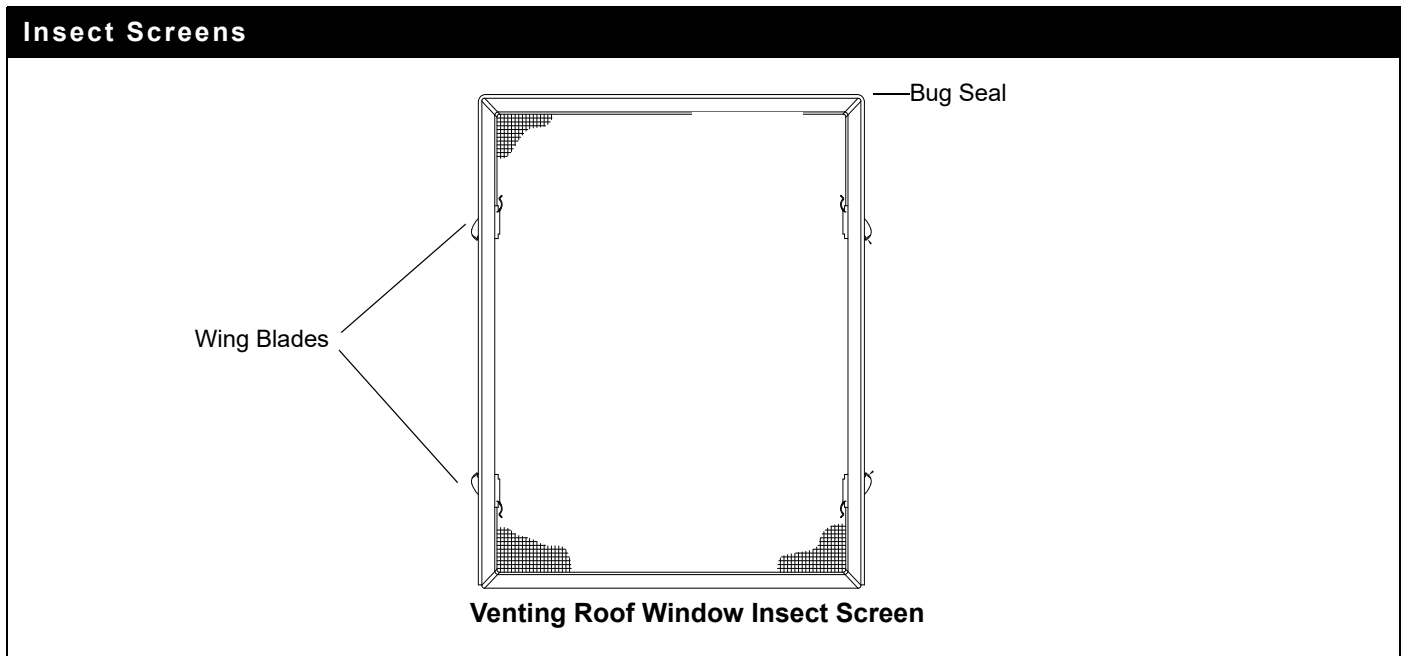
Horizontal Section

Venting/Tilting Roof Window Sash Assembly

Venting & Stationary Roof Windows (1983 to 2009)

Venting/Tilting Roof Windows-RT (1992 to 1996)

Insect Screens

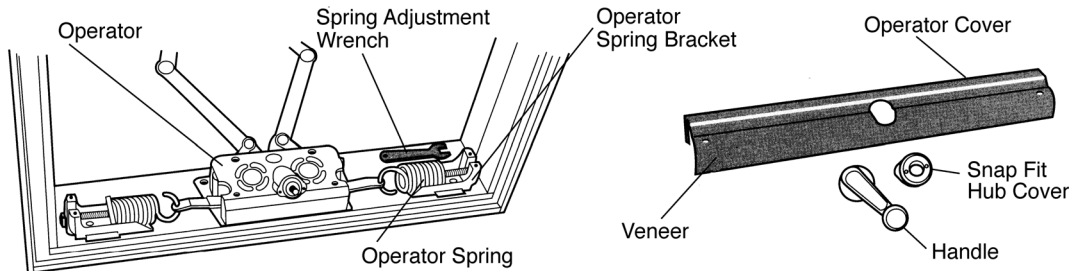


Insect Screen				
	Unit No.	Dimensions	Stone	White
	RT2127	18 ²⁵ / ₃₂ × 23	N/A	N/A
	RT2138	18 ²⁵ / ₃₂ × 34	N/A	N/A
	RT2146	18 ²⁵ / ₃₂ × 42	N/A	N/A
	RT2157	18 ²⁵ / ₃₂ × 53	N/A	N/A
	RT2838	25 ⁹ / ₃₂ × 34	N/A	N/A
	RT2846	25 ⁹ / ₃₂ × 42	N/A	N/A
	RT2857	41 ⁹ / ₃₂ × 53	N/A	N/A
	RT4446	41 ⁹ / ₃₂ × 42	N/A	N/A

Insect Screen Parts	
Bug Seal	
Note: Order by the foot. Replacement weatherstrip/bug seal is adhesive backed.	Order No. 8261001

Hardware

Operator - Amerock / Roto (1992 to 1997)



Operator - Amerock / Roto (1992 to 1997)	
	Order No.
	N/A
Handle - Operator	
	Stone
	1857420
Cover - Operator Hub / Venting Roof Window	
	Stone
	N/A
Cover - Operator Hub / Venting and Tilting Roof Window (1996 to 2009)	
	Stone
	1857404
Lock - Tilt Assembly	
	Order No.
	N/A
Knob - Tilt Assembly	
	Order No.
	1853320
Bracket - Operator Spring	
	Order No.
	1857426

Spring - Operator-Venting Roof Window		
	Unit No.	Order No.
	RV21	1853322
	RV28	1853323
	RV44	1853324

Venting & Stationary Roof Windows (1983 to 2009)

Venting/Tilting Roof Windows-RT (1992 to 1996)

Hardware

Hardware	
Bracket - Glass Holder	
	Order No.
	1857412
Mounting Bracket with Screws - L-Shaped	
	Order No.
	N/A
Mounting Bracket with Screws - Flat	
	Order No.
	N/A

Frames

Frames
Note: Frames are not available.

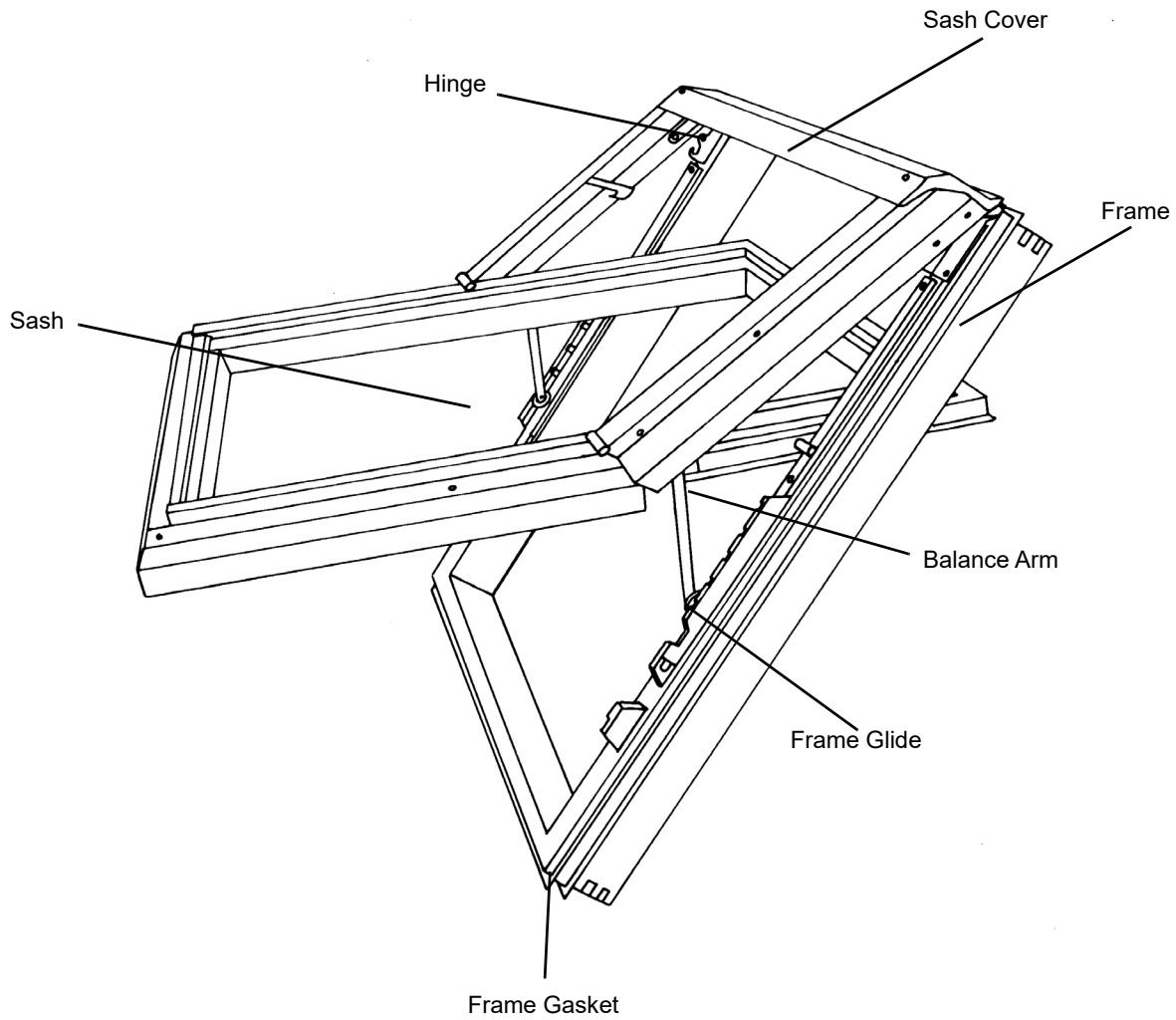
Frame Parts			
Condensation Channel			
		Unit No.	Order No.
		RT21	N/A
		RT28	N/A
		RT44	N/A

Frame Gasket			
Unit No.	Order No.	Unit No.	Order No.
R2127	1857302	R2838	1857310
R2138	1857304	R2846	1857312
R2146	1857306	R2857	1857314
R2157	1857308	R4446	1857316
R2172	1857320	R4457	1857318

Venting Roof Windows-RW (1983 to 1993)

Parts Illustration

Parts Illustration - Venting Roof Windows (1983 to 1993)



**Manufactured 1983 to 1993
Venting Roof Window Unit Parts**

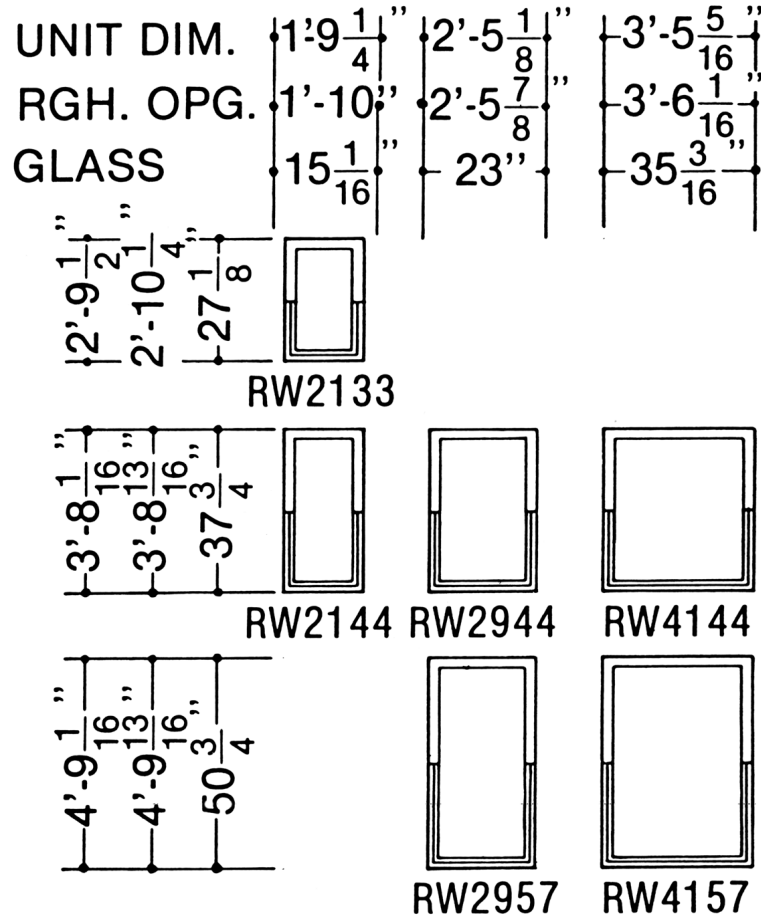
Unit viewed from exterior.

Unit Sizes

Unit Size Chart - Venting Roof Windows (1983 to 1993)

Note:

Unit Dim. refers to overall outside-to-outside frame. Rgh. Opg. refers to rough stud opening. Glass refers to unobstructed (visible) glass.

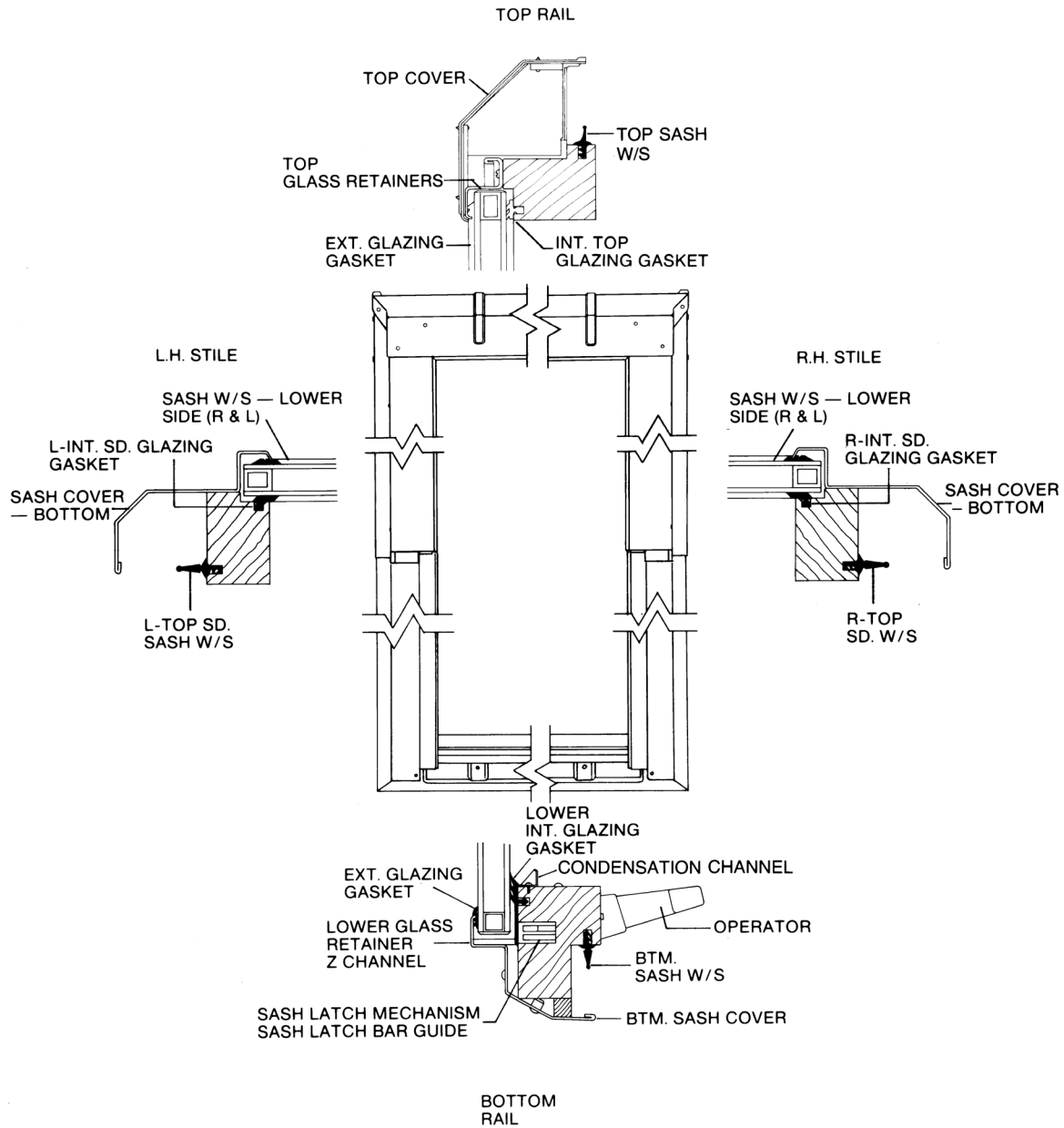


Venting Roof Window Unit Sizes - 1983 to 1993

Unit viewed from exterior.

Sash

Illustration - Sash Assembly / Venting Roof Windows (1983 to 1993)



Venting Roof Window Sash - 1983 to 1993

Sash

Glass Size Table - Venting Roof Windows (1983 to 1993)

Glass Size Table

Note:

Unobstructed Glass is dimension from outside edge to outside edge of visible glass only.

Actual Glass is dimension of outside edge to outside edge of glass, including glass that is not visible.

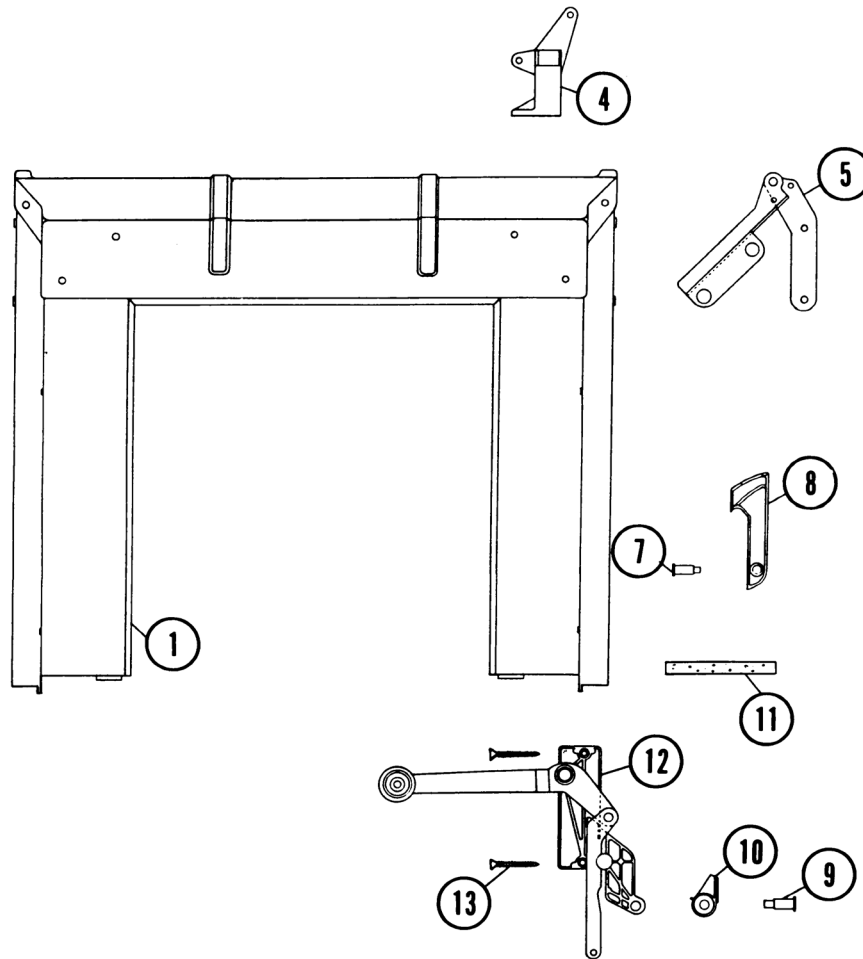
Unit No.	Unobstructed Glass (w x h)	Actual Glass (w x h)
RW2133V	$15 \frac{1}{16} \times 27 \frac{1}{8}$	$16 \frac{1}{4} \times 29 \frac{29}{32}$
RW2144V	$15 \frac{1}{16} \times 37 \frac{3}{4}$	$16 \frac{1}{4} \times 40 \frac{9}{16}$
RW2944V	$23 \times 37 \frac{3}{4}$	$24 \frac{1}{8} \times 40 \frac{9}{16}$
RW2957V	$23 \times 50 \frac{3}{4}$	$24 \frac{1}{8} \times 53 \frac{17}{32}$
RW4144V	$35 \frac{3}{16} \times 37 \frac{3}{4}$	$36 \frac{5}{16} \times 40 \frac{9}{16}$
RW4157V	$35 \frac{3}{16} \times 50 \frac{3}{4}$	$36 \frac{5}{16} \times 53 \frac{17}{32}$

Venting & Stationary Roof Windows (1983 to 2009)

Venting Roof Windows-RW (1983 to 1993)

Sash

Illustration - Sash Covers / Venting Roof Windows (1983 to 1993)

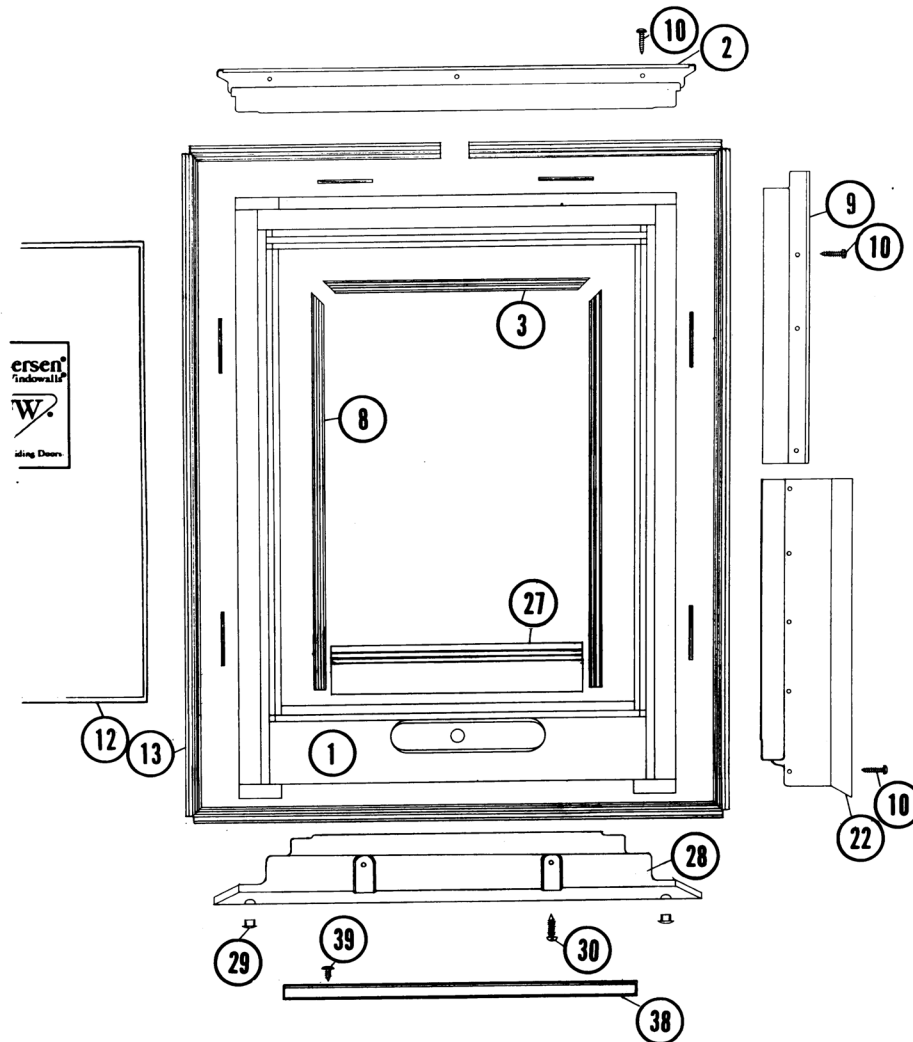


1. Sash Cover
4. Block Latch - Black Plastic
5. Sash Cover Hinge
7. Shoulder Bolt
8. Guide Bolt Latch - Black Plastic
9. Shoulder Bolt
10. Balance Arm Shield - Terratone® Plastic
11. Seal Joint Tape - Foam
12. Balance Arm Mechanism
13. Screws - 1 1/2" #7

Venting Roof Window Sash Cover - 1983 to 1993

Sash

Illustration - Covers, Retainers & Gaskets / Venting Roof Windows (1983 to 1993)



- | | |
|--|---|
| 1. Sash Frame | 22. Glass Retainer - Lower Sides Left and Right |
| 2. Glass Retainer - Top | 27. Glazing Gasket - Interior Bottom |
| 3. Glazing Gasket - Interior Top | 28. Sash Cover - Bottom |
| 8. Glazing Gasket - Sides | 29. Exterior Hole Plug |
| 9. Glass Retainer - Upper Sides Left and Right | 30. Screw, Waxed 1" x #7 |
| 10. Screw, Waxed 3/4" #7 | 38. Condensation Channel |
| 12. Glass | 39. Screws for Condensation Channel 1/2" x #6 |
| 13. Exterior Glazing Gasket | |

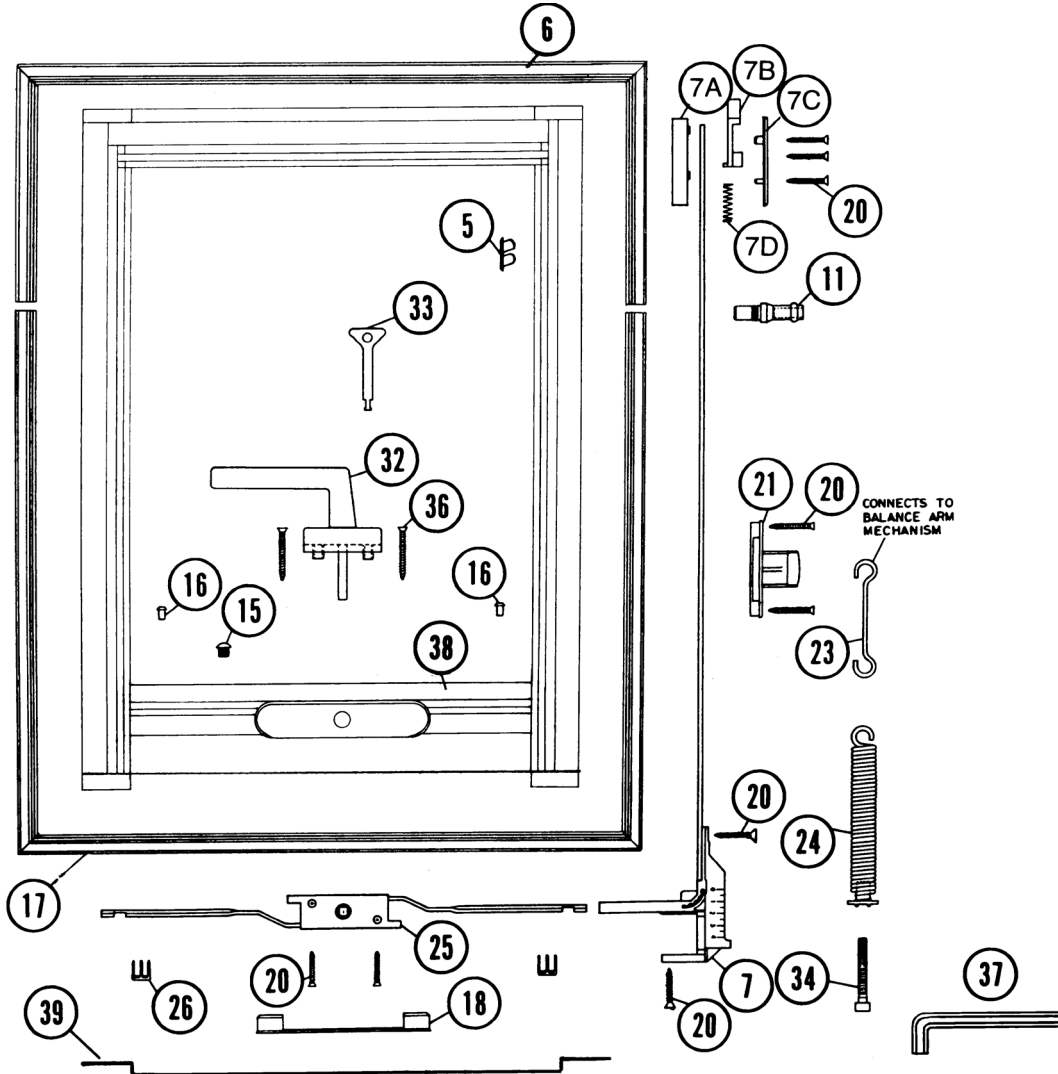
Venting Roof Window Sash Covers, Retainers, and Gaskets - 1983 to 1993

Venting & Stationary Roof Windows (1983 to 2009)

Venting Roof Windows-RW (1983 to 1993)

Sash

Illustration - Sash Hardware / Venting Roof Windows (1983 to 1993)

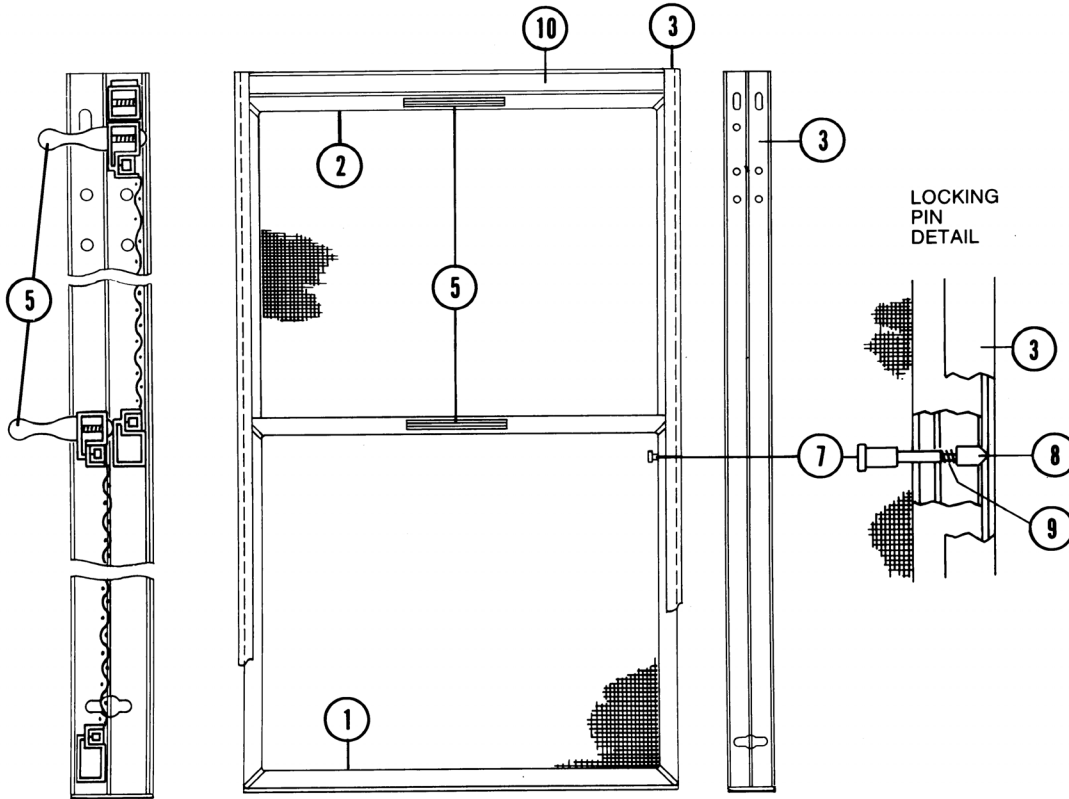


- | | | |
|---------------------------------|---------------------------------|---------------------------------------|
| 5. Blind Hole Cap | 17. Weatherstrip - Sash Bottom | 34. Balance Spring Adjuster Bolt |
| 6. Weatherstrip Top | 18. Sash Latch Mechanism Cover | 36. Screw, 2" x #7 |
| 7. Sash Latch Control Arm | 20. Screw, F.H. PH.-1 1/4" x #7 | 37. 5MM Hex Wrench - Adjuster Bolt |
| 7A. Plastic Housing - Bottom | 21. Sash Latch | 38. Condensation Channels with Screws |
| 7B. Plunger | 23. Balance Rod | 39. Rout Cover - 1986 |
| 7C. Housing, Plastic - Top | 24. Balance Spring | |
| 7D. Spring | 25. Sash Latch Mechanism | |
| 11. Guide Bolt | 26. Latch Mechanism Bar Guide | |
| 15. Hole Plug - Interior Center | 32. Handle with Screws | |
| 16. Hole Plug - Blind Bottom | 33. Key | |

Venting Roof Sash Hardware

Insect Screens

Insect Screens - Venting Roof Windows (1983 to 1993)



- 1. Insect Screen Panel - Lower
- 2. Insect Screen Panel - Upper
- 3. Insect Screen Channel
- 5. Handle
- 7. Plunger Cap
- 8. Plunger Head
- 9. Locking Pin
- 10. Filler Bar

Venting Roof Window Insect Screen - 1983 to 1993

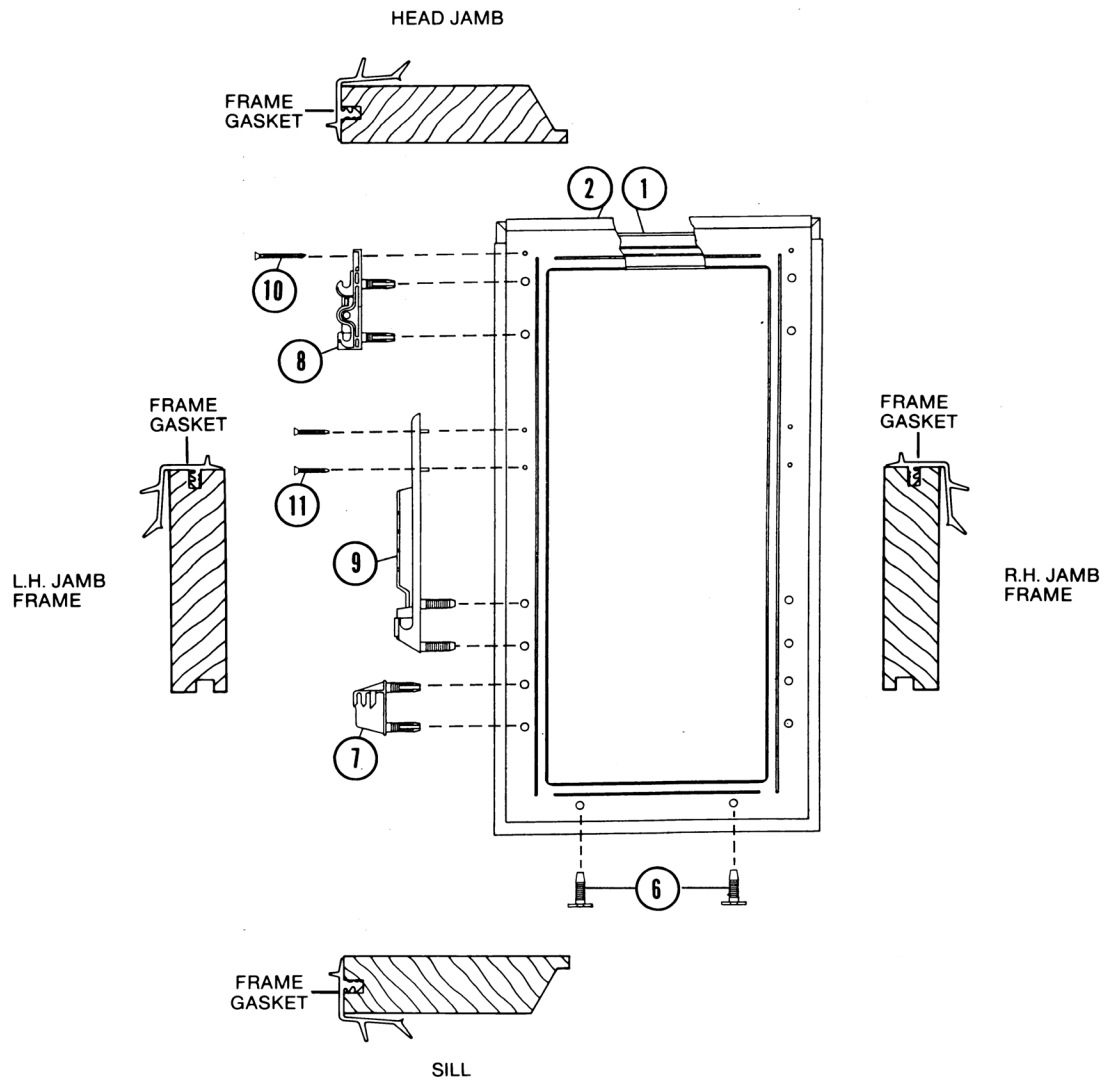
Unit viewed from interior.

Venting & Stationary Roof Windows (1983 to 2009)

Venting Roof Windows-RW (1983 to 1993)

Frames

Illustration - Frame Assembly / Venting Roof Windows (1983 to 1993)



1. Frame
2. Frame Gasket
6. Frame Gasket Pin
7. Latch Strike
8. Base Hinge
9. Frame Guide
10. Screw - F.H. Sheet metal 2" x #7
11. Screw - F.H. Sheet Metal 1 1/4" x #7

Venting Roof Window Frame Assembly - 1983 to 1993

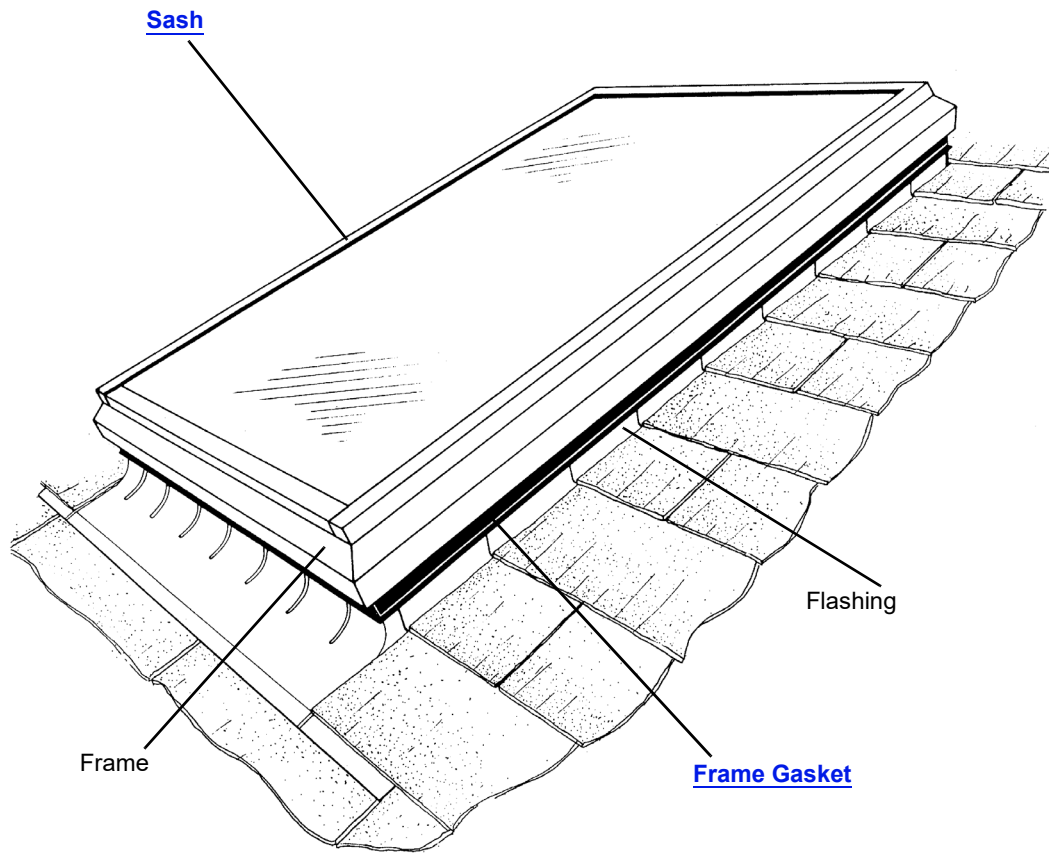
Frames

Frame Parts (1983 to 1993)			
Condensation Channel			
		Sandtone	White
		RW21V	N/A
		RWT28	NA
		RW29V	N/A
		RW41V	NA
		RV44	N/A
		RW33HORZ	NA
		RW44HORZ	N/A
		RW57HORZ	NA
		RW72HORZ	N/A

Stationary Roof Windows-RS (1991 to 2009)

Parts Illustration

Parts Illustration - Stationary Roof Window (1991 to 2009)



Manufactured 1991 to 2009

Stationary Roof Window Unit Parts

Unit viewed from exterior.

Unit Sizes

Unit Size Chart - Stationary Roof Window (1991 to 2009)

Note:

Unit Dimension refers to overall outside-to-outside frame. Unobstructed Glass refers to visible glass dimensions. Numbers in parentheses are metric measurements.

	Unit Dimension	21 1/2"	28"	44"
		(546)	(711)	(1118)
Rough Opening		22"	28 1/2"	44 1/2"
		(559)	(724)	(1130)
Unobstructed Glass		19"	25 1/2"	41 1/2"
		(483)	(648)	(1054)
27" (686)	27 1/2" (698)	24 1/2" (622)		
		RS2127		
38" (965)	38 1/2" (978)	35 1/2" (902)		
		RS2138	RS2838	
46" (1168)	46 1/2" (1181)	43 1/2" (1105)		
		RS2146	RS2846	RS4446
57" (1448)	57 1/2" (1461)	54 1/2" (1384)		
		RS2157	RS2857	RS4457

Stationary Roof Window Unit Sizes

Unit viewed from exterior.

Venting & Stationary Roof Windows (1983 to 2009)

Stationary Roof Windows-RS (1991 to 2009)

Sash

Glass Size Table - Stationary Roof Window (1991 to 2009)

Glass Size Table

Note:

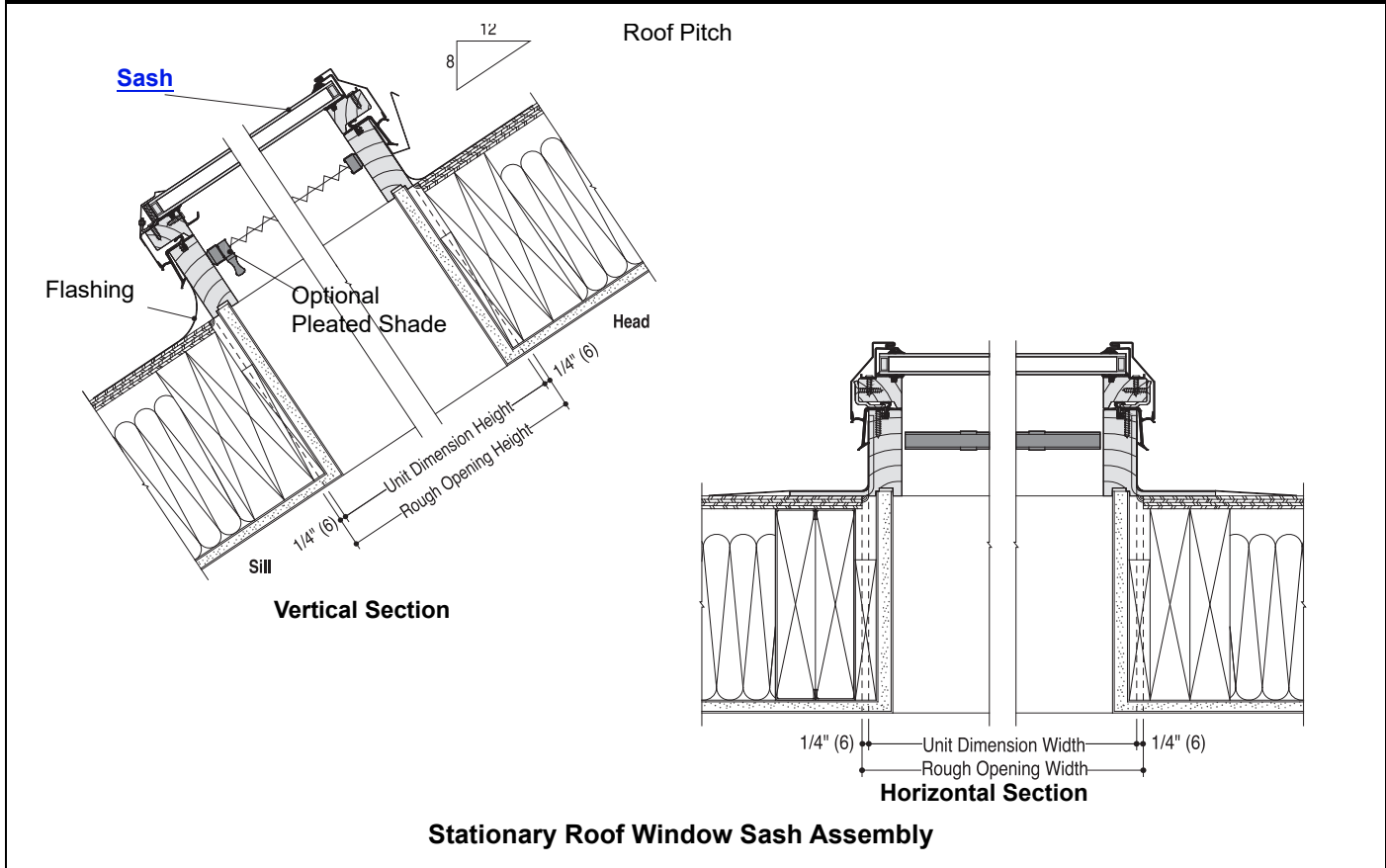
Unobstructed Glass is dimension from outside edge to outside edge of visible glass only.

Actual Glass is dimension of outside edge to outside edge of glass, including glass that is not visible.

Unit No.	Unobstructed Glass (w x h)	Actual Glass (w x h)
RS2127	19 × 24 1/2	20 3/16 × 26 3/16
RS2138	19 × 35 1/2	20 3/16 × 37 3/16
RS2146	19 × 43 1/2	20 3/16 × 45 3/16
RS2157	19 × 54 1/2	20 3/16 × 56 3/16
RS2838	25 1/2 × 35 1/2	27 3/16 × 37 3/16
RS2846	25 1/2 × 43 1/2	27 3/16 × 45 3/16
RS2857	25 1/2 × 54 1/2	27 3/16 × 56 3/16
RS4446	41 1/2 × 43 1/2	43 3/16 × 45 3/16
RS4457	41 1/2 × 54 1/2	43 3/16 × 56 3/16

Sash

Illustration - Sash Assembly / Stationary Roof Window (1991 to 2009)



Stationary Roof Window Sash Assembly

Sash

Includes:

Stationary roof sash, fastener kit, right cover, tube of color-matched silicone, left cover, instruction guide

Sash-Terratone®

Unit No.	High Performance Tempered	High Performance Sun Tempered	High Performance Sun II Tempered	High Performance Tempered Laminated	High Performance Sun Tempered Laminated	High Performance Sun II Tempered Laminated
RS2127	1855002	1855202	By Description	1855102	1855302	By Description
RS2138	1855006	1855206	By Description	1855106	1855306	By Description
RS2146	1855010	1855210	By Description	1855110	N/A	By Description
RS2157	1855014	1855214	By Description	1855114	N/A	By Description
RS2838	1855018	1855218	By Description	1855118	1855318	By Description
RS2846	1855022	1855222	By Description	1855122	1855322	By Description
RS2857	1855026	1855226	By Description	1855126	1855326	By Description
RS4446	1855030	1855230	By Description	1855130	1855330	By Description
RS4457	1855034	1855234	By Description	1855134	1855334	By Description

Venting & Stationary Roof Windows (1983 to 2009)

Stationary Roof Windows-RS (1991 to 2009)

Sash

Sash Covers

Sash Cover - Left and Right

	Unit No.	Left	Right
	RS27	1857102	1857110
	RS38	1857104	1857112
	RS46	1857106	1857114
	RS57	1857108	1857116

Sash Cover - Top and Bottom

	Unit No.	Top	Bottom
	RS21	1857118	1857124
	RS28	1857120	1857126
	RS44	1857122	1857128

Glass Retainers

Glass Retainer - Left and Right

	Unit No.	Left	Right
	RV27/RS27	1857202	1857210
	RV38/RS38	1857204	1857212
	RV46/RS46	1857206	1857214
	RV57/RS57	1857208	1857216

Glass Retainer - Top

	Unit No.	Top
	RV21/RS21	1857218
	RV28/RS28	1857220
	RV44/RS44	1857222

Weatherstrip

Glazing Gasket - Exterior

	Unit No.	Order No.
	RV2127/RS2127	1857338
	RV2138/RS2138	1857340
	RV2146/RS2146	1857342
	RV2157/RS2157	1857344
	RV2838/RS2838	1857346
	RV2846/RS2846	1857348
	RV2857/RS2857	1857350
	RV4446/RS4446	1857352
	RV4457/RS4457	1857354

Sash

Sash Parts	
Bracket - Glass Holder	
	Order No.
	1857412

Hardware

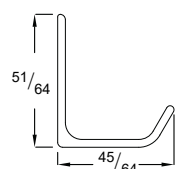
Hardware	
Mounting Bracket with Screws - L-Shaped	
	Order No.
	N/A
Mounting Bracket with Screws - Flat	
	Order No.
	N/A

Frames

Frames

Frame			
	Unit No.	Dimensions (w x h)	Order No.
	RS2127	21 1/2 x 27	N/A
	RS2138	21 1/2 x 38	
	RS2146	21 1/2 x 46	
	RS2157	21 1/2 x 57	
	RS2838	28 x 38	
	RS2846	28 x 46	
	RS2857	28 x 57	
	RS4446	44 x 46	
	RS4457	44 x 57	

Frame Parts

Condensation Channel			
	Unit No.	Sandtone	White
	RS21	1857008	1857035
	RS28	1857010	1857036
	RS44	1857012	1857037

Frame Gasket

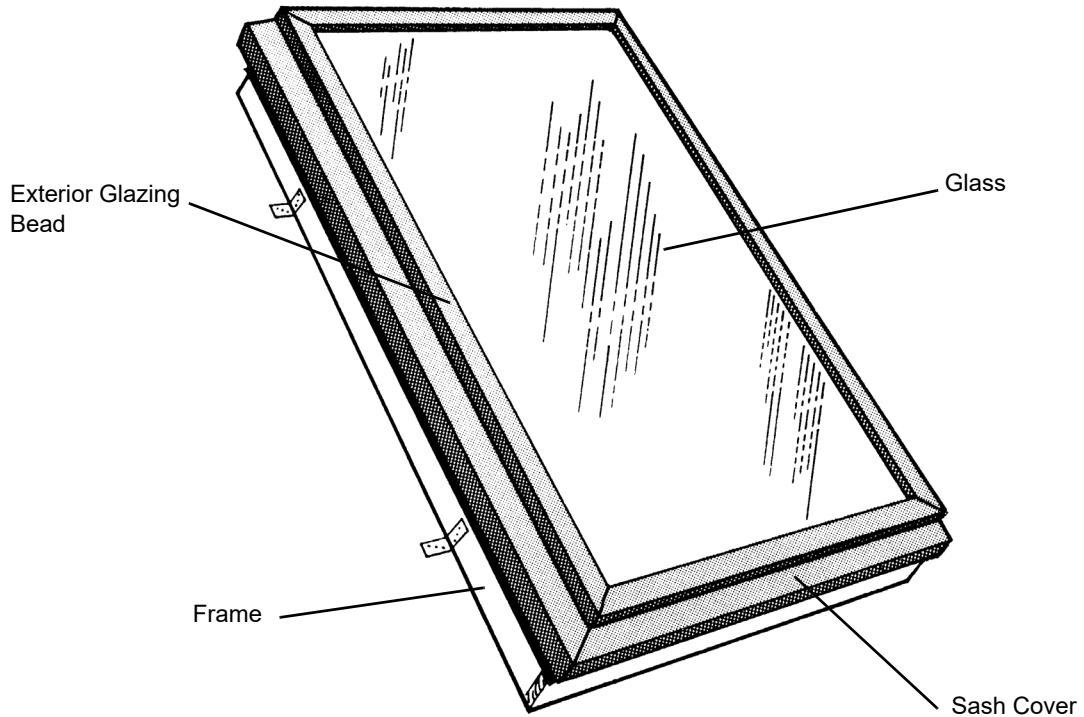
	Unit No.	Order No.
	R2127	1857302
	R2138	1857304
	R2146	1857306
	R2157	1857308
	R2172	1857320
	R2838	1857310
	R2846	1857312
	R2857	1857314
	R4446	1857316
	R4457	1857318

Venting & Stationary Roof Windows (1983 to 2009)

Stationary Roof Windows-RWS (1985 to 1993)

Parts Illustration

Parts Illustration - Stationary Roof Windows (1985 to 1993)



Manufactured 1985 to 1993

Stationary Roof Window Unit Parts

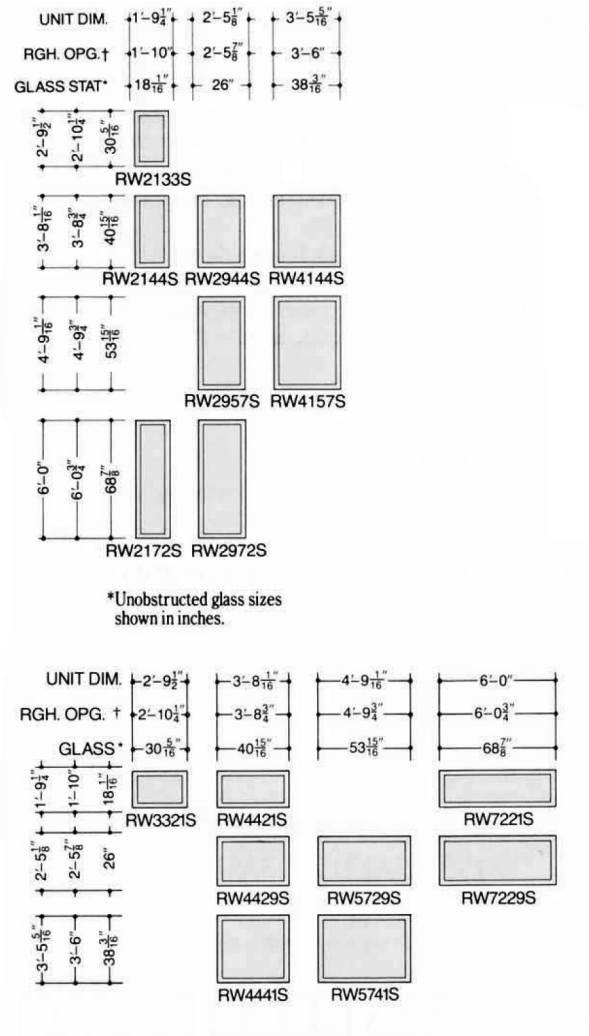
Unit viewed from exterior.

Unit Sizes

Unit Size Chart - Stationary Roof Windows (1985 to 1993)

Note:

Unit Dim. refers to overall outside-to-outside frame. Rgh. Opg. refers to rough stud opening. Glass refers to unobstructed (visible) glass.



Stationary Roof Window Unit Sizes - 1983 to 1993

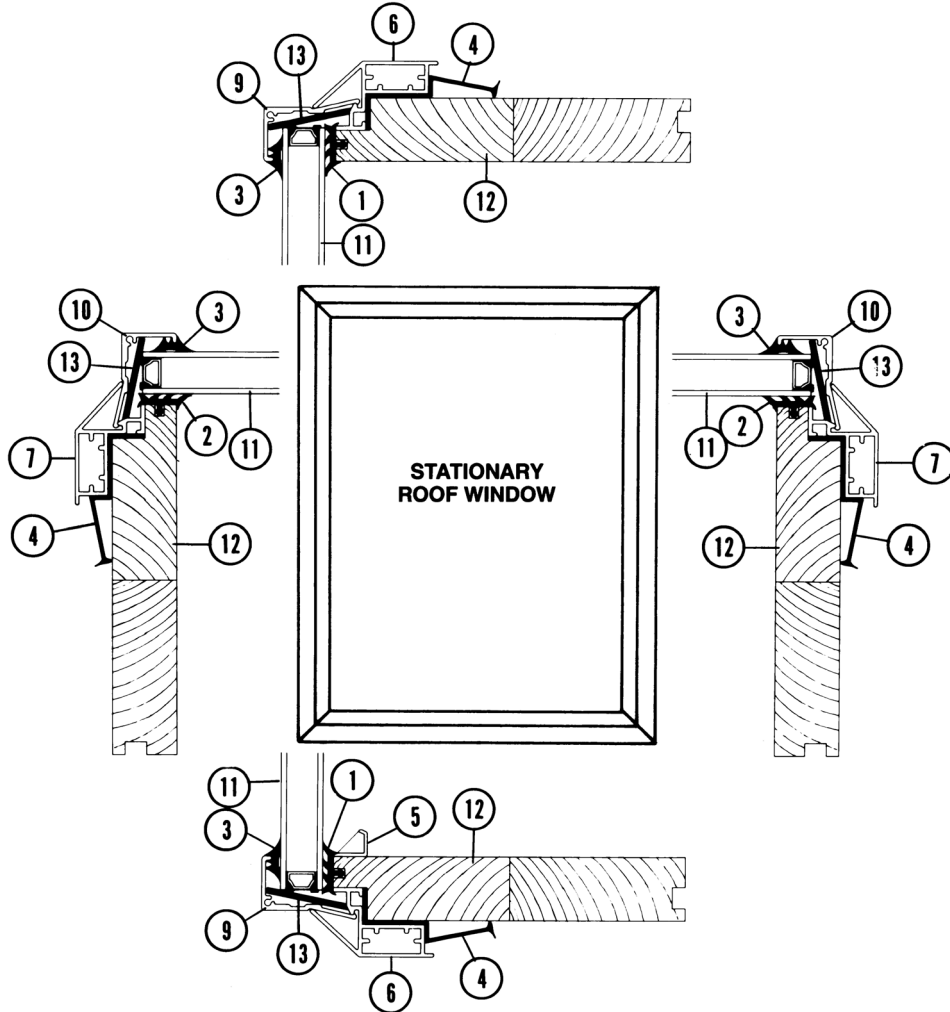
Unit viewed from exterior.

Venting & Stationary Roof Windows (1983 to 2009)

Stationary Roof Windows-RWS (1985 to 1993)

Unit Assembly

Illustration - Unit Assembly / Stationary Roof Windows (1985 to 1993)



- | | |
|---|--|
| 1. Top and Bottom Interior Glazing Gasket | 8. Corner Locks (not shown) |
| 2. Side Interior Glazing Gasket | 9. Top and Bottom Aluminum Glazing Beads |
| 3. Exterior Glazing Gasket | 10. Side Aluminum Glazing Beads |
| 4. Frame Gasket | 11. High Performance Glass |
| 5. Aluminum Condensation Channel | 12. Pine Frame |
| 6. Top and Bottom Aluminum Frame Cover | 13. Spacer (PVC) |
| 7. Side Aluminum Frame Cover | |

Stationary Roof Window Frame Assembly

Venting & Stationary Roof Windows (1983 to 2009)

Glass

Glass Size Table - Stationary Roof Windows (1985 to 1993)		
Glass Size Table		
Note:		
Unobstructed Glass is dimension from outside edge to outside edge of visible glass only.		
Actual Glass is dimension of outside edge to outside edge of glass, including glass that is not visible.		
Unit No.	Unobstructed Glass (w x h)	Actual Glass (w x h)
2133/3321S	$18 \frac{5}{16} \times 30 \frac{9}{16}$	$20 \frac{3}{16} \times 32 \frac{13}{32}$
2144/4421S	$18 \frac{5}{16} \times 41 \frac{3}{16}$	$20 \frac{3}{16} \times 43 \frac{1}{32}$
2172/7221S	$18 \frac{5}{16} \times 68 \frac{7}{8}$	$20 \frac{3}{16} \times 71$
2944/4429S	$26 \frac{3}{16} \times 41 \frac{3}{16}$	$28 \frac{1}{16} \times 43 \frac{1}{32}$
2957/5729S	$26 \frac{3}{16} \times 54 \frac{3}{16}$	$28 \frac{1}{16} \times 56 \frac{1}{32}$
2972/7229S	$26 \frac{3}{16} \times 68 \frac{7}{8}$	$28 \frac{1}{16} \times 71$
4144/4441S	$38 \frac{7}{16} \times 41 \frac{3}{16}$	$40 \frac{9}{32} \times 43 \frac{1}{32}$
4157/5741S	$38 \frac{7}{16} \times 54 \frac{3}{16}$	$40 \frac{9}{32} \times 56 \frac{1}{32}$

Venting & Stationary Roof Windows (1983 to 2009)

Stationary Roof Windows-RWS (1985 to 1993)

Frames

Frames

Note:

Frames are not available.

Frames

Hardware		
Screw - Frame Cover		
	Description	Order No.
	#8 x 1 1/4"	By description
Screw - Corner		
	Description	Order No.
	pilot point #6 x 3/4"	By description
Screw - Condensation Channel		
	Description	Order No.
	#6 x 1/2"	By description

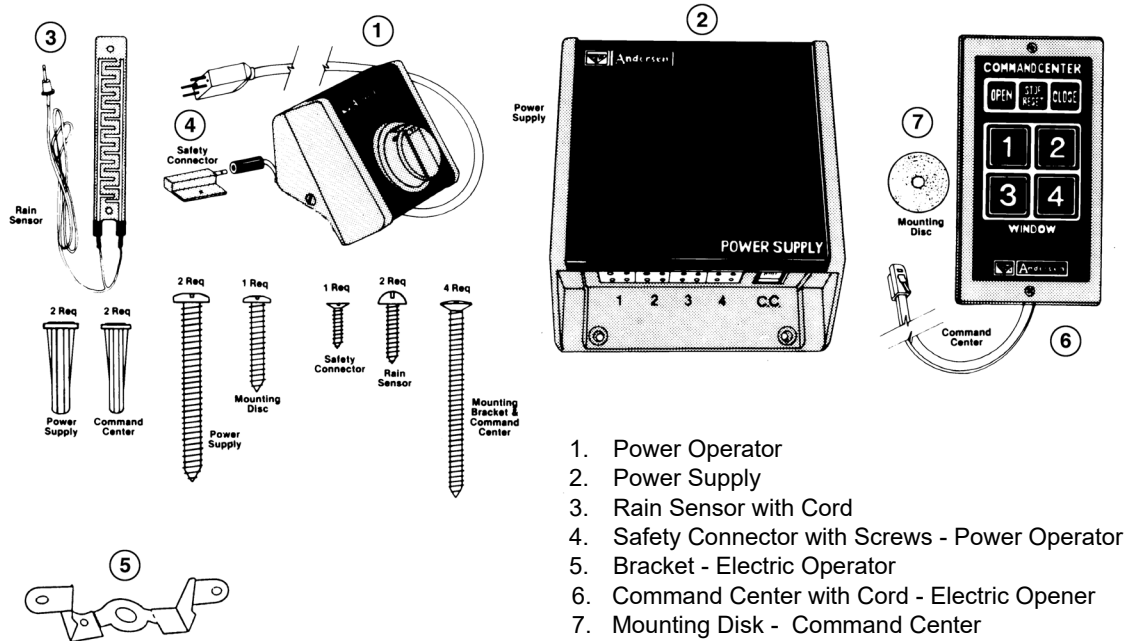
Optional Accessories

Optional Accessories

Electric Opener Kit

Note:

An electric operator cannot be used on impact resistant units.



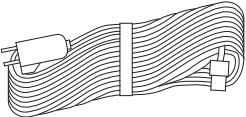


1. Power Operator
2. Power Supply
3. Rain Sensor with Cord
4. Safety Connector with Screws - Power Operator
5. Bracket - Electric Operator
6. Command Center with Cord - Electric Opener
7. Mounting Disk - Command Center

Electric Opener Kit

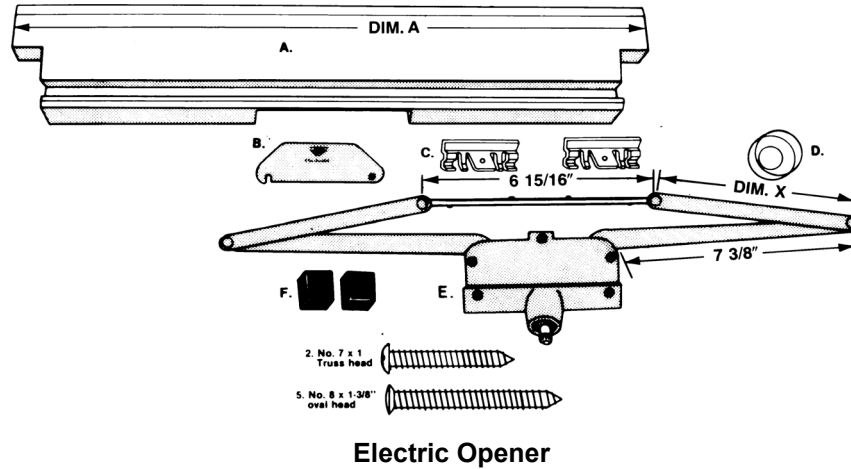
Power Operator Ref. No. 1	
Includes: Operator, mounting bracket, rain sensor, safety connector, and screws.	Order No. 1890102
Rain Sensor with Cord Ref. No. 3	
	Order No. 1522010
Safety Connector with Screws - Power Operator Ref. No. 4	
	Order No. 1522008
Bracket - Electric Operator Ref. No. 5	
Note: Use current vintage awning bracket, part #1522012, for 1983–1992 vintage Vent Tilt Windows.	Stone 1857416

Optional Accessories

Command Center with Cord - Electric Opener Ref. No. 6 page 47		
		Order No.
		1522006
Mounting Disk - Command Center Ref. No. 7 page 47		
		Order No.
		N/A
Extension Cord - Power Supply		
	Length	Order No.
	10 ft	1521902
	20 ft	1521908
Extension Cord - Command Center		
	Length	Order No.
	10 ft	1521916
	20 ft	1521922
Power Supply Ref. No. 2 page 47		
		Order No.
		1522004
Cord - Electric Operator		
	Length	Order No.
	10 ft	N/A

Optional Accessories

Electric Opener Adaptor



Electric Opener

Electric Opener Adaptor Kit

Note:

Used in Venting Roof Windows-RW (1983-1993) [page 23](#)

Electric opener adaptor kits are no longer available. Parts may be ordered individually below.

Sill Stop - Power Operator Ref. A

	Unit No.	Order No.
	RW21V	N/A
	RW29V	N/A
	RW41V	N/A

Cover Plate Ref. B page 49

	Order No.
	N/A

Bracket - Electric Opener Adaptor Ref. C

	Order No.
	N/A

Hub Retainer - Electric Opener Adaptor Ref. D

	Order No.
	N/A

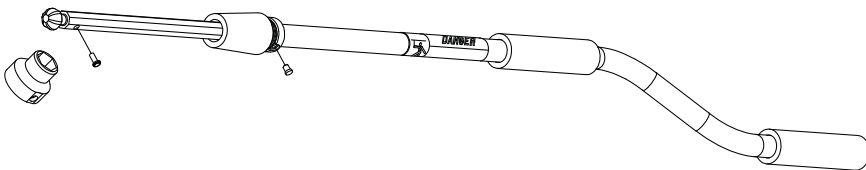
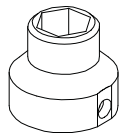
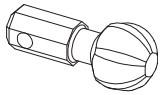
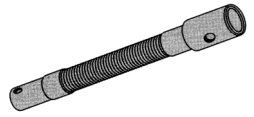
Operator- A21 with Mounting Screws Ref. E [page 49](#)

	Order No.
	1521608

Foam Bug Seal- Electric Opener Adaptor Ref. F [page 49](#)

	Order No.
	8267003

Optional Accessories

Operator Accessories		
Extension Pole with Adapter Hex - Operator		
		
Note: The operator extension pole telescopes from 6' 3" to 10' 7". Straight poles are not available.		Order No. N/A
Hex Adapter		
	Note: Attaches to operator.	Stone N/A
Socket - Hex Ball		
		Order No. N/A
Screw - Hex Ball		
	Description	Order No.
	PH Pan Head #10-32 x 3/8"	9105490
Extension Pole Adapter - Flexible		
		Order No. N/A

Venting & Stationary Roof Windows (1983 to 2009)

Optional Accessories

Optional Accessories

Shades/Opaque/Translucent

Shade

Note:

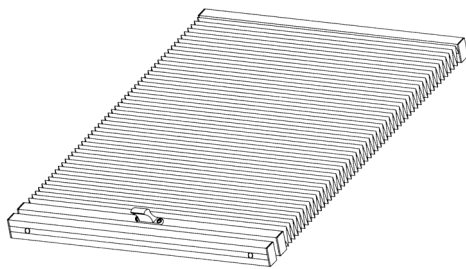
Used on:

Venting Roof Windows-RV (1992-2009) [page 5](#)

Venting Roof Windows-RT (1992-1996) [page 15](#)

Stationary Roof Windows-RS (1991-2009) [page 33](#)

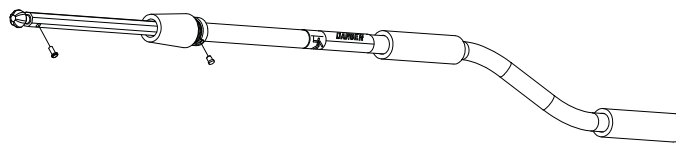
Shades have a wood frame mounting. Opaque shades block light; translucent shades let light through. Shade includes handles, fasteners and instruction guide.



Unit No.	Dimensions (w x h)	Opaque (Privacy)	Translucent (Sheer)
R2127	18 7/8 x 24 1/2	N/A	N/A
R2138	18 7/8 x 35 1/2	N/A	N/A
R2146	18 7/8 x 43 1/2	N/A	N/A
R2157	18 7/8 x 54 1/2	N/A	N/A
R2838	25 3/8 x 35 1/2	N/A	N/A
R2846	25 3/8 x 43 1/2	N/A	N/A
R2857	25 3/8 x 54 1/2	N/A	N/A
R4446	41 3/8 x 43 1/2	N/A	N/A
R4457	41 3/8 x 54 1/2	N/A	N/A

Shades/Opaque/ Translucent Parts

Extension Pole - Shade

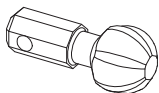


Note: The operator extension pole telescopes from 6' 3" to 10' 7".
Straight poles are not available.

Order No.

N/A

Socket - Hex Ball



Order No.

N/A

Screw - Hex Ball

Description

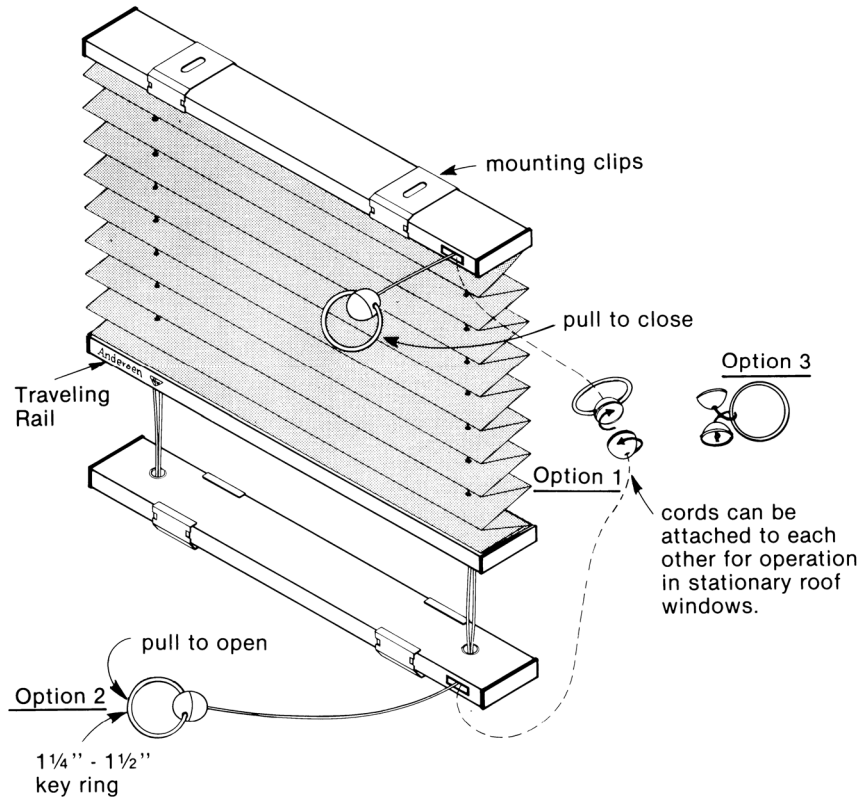
PH Pan Head #10-32 x 3/8"

Order No.

9105490

Optional Accessories

Shades - Pleated (1983 to 1993)



Venting Roof Window Pleated Shades - 1983 to 1993

Pleated Shades with Hardware

Note:

Used on:
 Venting Roof Window-RW (1983-1993) [page 23](#)
 Stationary Roof Windows-RWS (1985-1993) [page 41](#)

Unit No.

Order No.

RW2133V	N/A
RW2144V	
RW2944V	
RW2957V	
RW4144V	
RW4157V	