

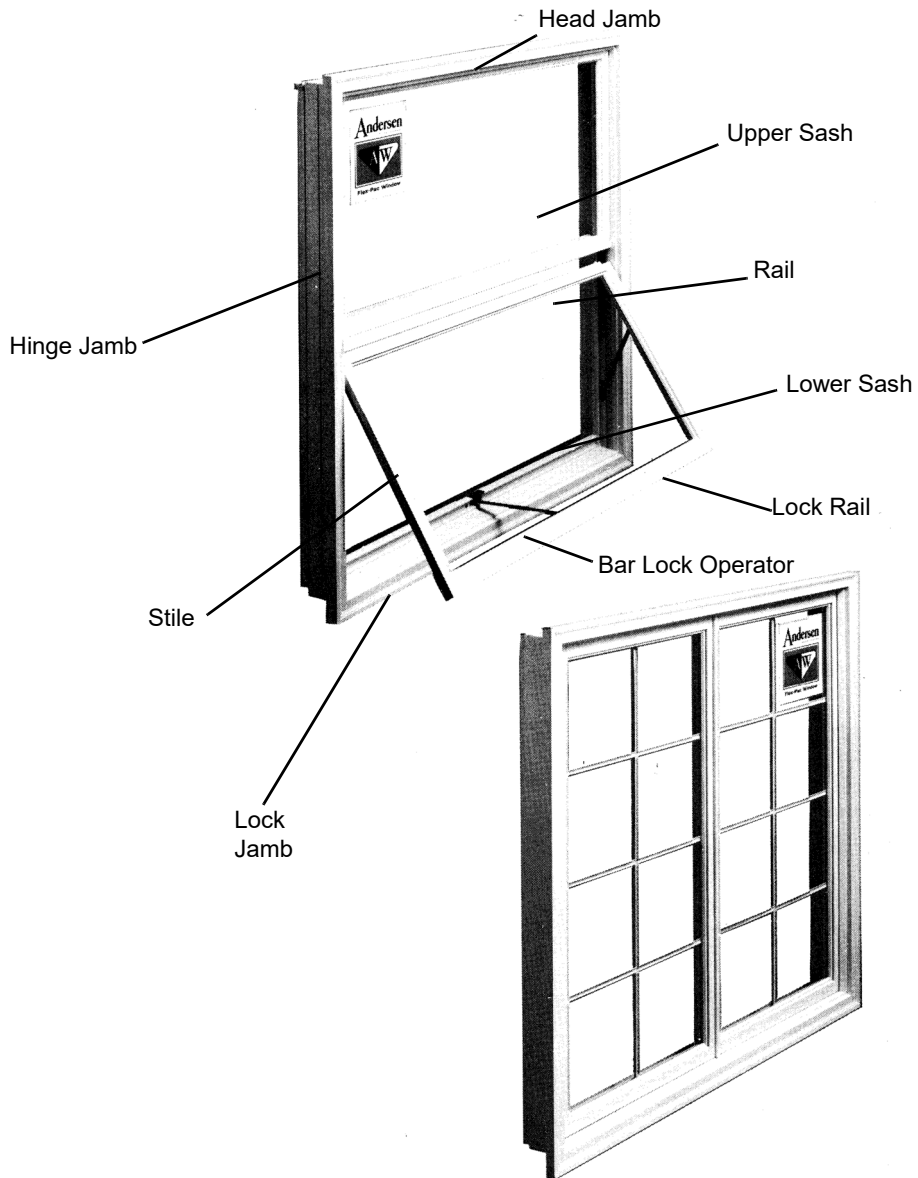
What's in This Section

Standard Windows	Page 3
Parts Illustration	3
Unit Sizes	4
Unit Size Chart	4
Sash	5
Sash Size Table	5
Sash and Frame Assembly	7
Weatherstrip	8
Insect Screens	9
Insect Screens	9
Hardware	10
Operator - Amerock / Bar-Lock / No. 7171	10

Unit Parts

Note:

Limited replacement parts are available. Construction is all wood.



Manufactured 1971 to 1975

Flex-Pac Window Unit Parts

Unit viewed from exterior.

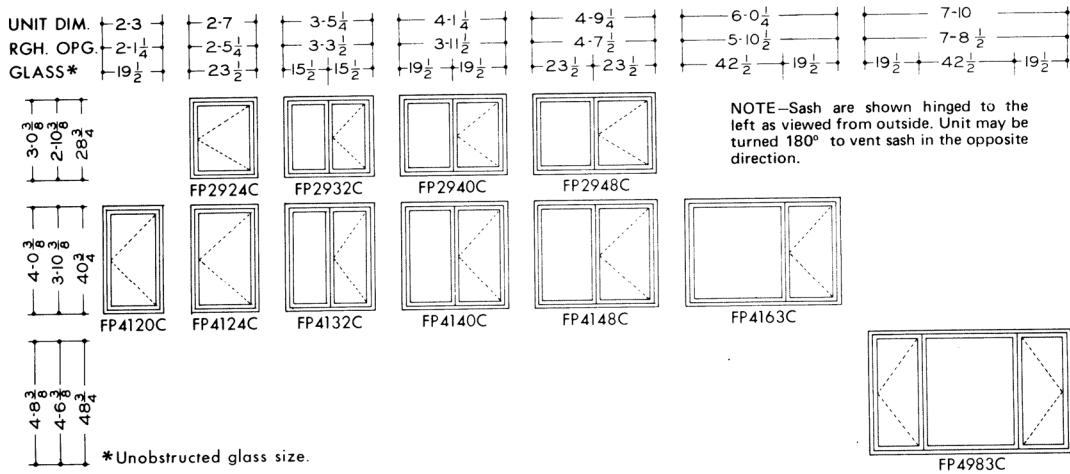
Unit Sizes

Unit Size Chart

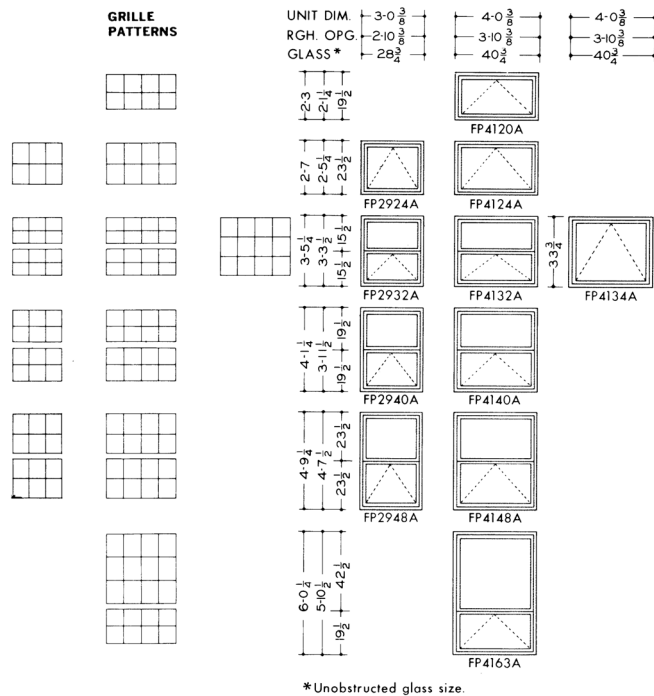
Note:

Unit Dim. refers to overall outside-to-outside frame. Rgh. Opg. refers to rough stud opening. Unobstructed Glass refers to outside edge to outside edge of visible glass only.

Basic



Basic Awning Sizes



Flex-Pac Window Unit Sizes

Unit viewed from exterior.

Sash

Sash Size Table

Note:

Upper/Lower Sash is measured outside edge to outside edge of frame.

Unobstructed Glass is dimension from outside edge to outside edge of visible glass only.

Actual Glass is dimension of outside edge to outside edge of glass, including glass that is not visible.

Sash Size Table - Upper Sash

Note:

Replacement sash are not available.

All replacement sash are single pane. All units available for use in Casement or Awning position except FP 4983 and FP 4134. FP 4983 is available as Casement, only. FP 4134 is available as Awning, only.

Unit No.	Upper Sash (w x h)	Unobstructed Glass (w x h)	Actual Glass (w x h)
FP 2916	32 1/8 x 19	28 7/8 x 15 1/2	29 3/8 x 16
FP 2920	32 1/8 x 23	28 7/8 x 19 1/2	29 3/8 x 20
FP 2924	32 1/8 x 27	28 7/8 x 23 1/2	29 3/8 x 24
FP 2932	32 1/8 x 19	28 7/8 x 15 1/2	29 3/8 x 16
FP 2940	32 1/8 x 23	28 7/8 x 19 1/2	29 3/8 x 20
FP 2948	32 1/8 x 27	28 7/8 x 23 1/2	29 3/8 x 24
FP X2936	32 1/8 x 39	28 7/8 x 35 1/2	29 3/8 x 36
FP 4116	44 1/8 x 19	40 7/8 x 15 1/2	41 3/8 x 16
FP 4120	44 1/8 x 23	40 7/8 x 19 1/2	41 3/8 x 20
FP 4124	44 1/8 x 27	40 7/8 x 23 1/2	41 3/8 x 24
FP 4124C	44 1/8 x 27	40 7/8 x 23 1/2	41 3/8 x 24
FP 4132	44 1/8 x 19	40 7/8 x 15 1/2	41 3/8 x 16
FP 4134A	44 1/8 x 37 7/32	40 7/8 x 33 23/32	41 3/8 x 34 7/32
FP 4136A	44 1/8 x 39	40 7/8 x 35 1/2	41 3/8 x 36
FP 4140	44 1/8 x 23	40 7/8 x 19 1/2	41 3/8 x 20
FP 4148	44 1/8 x 27	40 7/8 x 23 1/2	41 3/8 x 24
FPX 4148C	44 1/8 x 27	40 7/8 x 23 1/2	41 3/8 x 24
FPX 4148A	44 1/8 x 27	40 7/8 x 23 1/2	41 3/8 x 24
FP 4163	44 1/8 x 46	40 7/8 x 42 1/2	41 3/8 x 43
FP 4920	44 1/8 x 23	40 7/8 x 19 1/2	41 3/8 x 20
FP 4983	44 1/8 x 23	40 7/8 x 19 1/2	41 3/8 x 20

Sash

Sash Size Table - Lower Sash

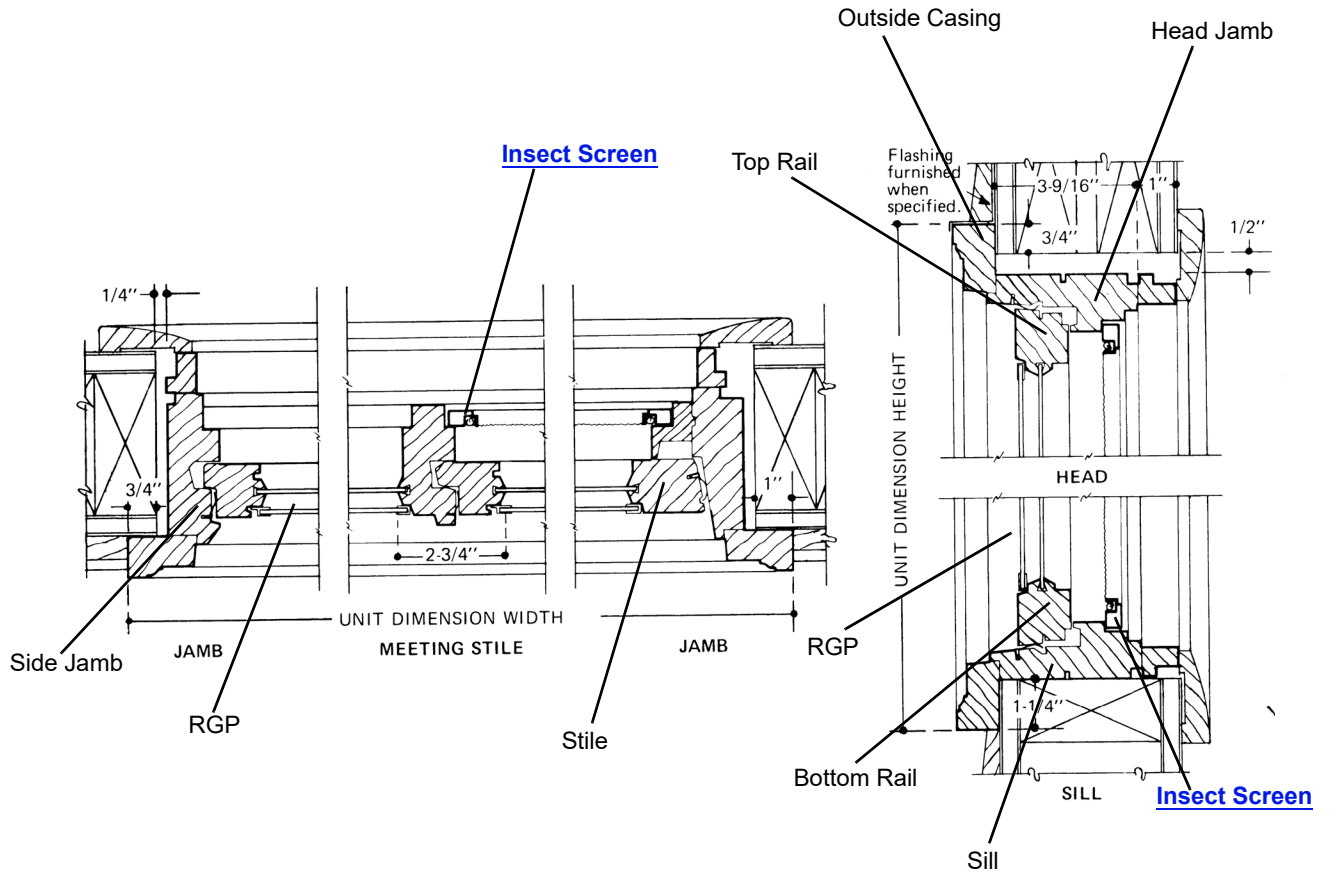
Note:

Replacement sash are not available. Sash sizes are provided for identification purposes only.

All units available for use in Casement or Awning position except FP 4983 and FP 4134. FP 4983 is available as Casement, only. FP 4134 is available as Awning, only.

Unit No.	Lower Sash (w x h)	Unobstructed Glass (w x h)	Actual Glass (w x h)
FP 2932	32 ¹ / ₈ × 19	28 ⁷ / ₈ × 15 ¹ / ₂	29 ³ / ₈ × 16
FP 2940	32 ¹ / ₈ × 23	28 ⁷ / ₈ × 19 ¹ / ₂	29 ³ / ₈ × 20
FP 2948	32 ¹ / ₈ × 27	28 ⁷ / ₈ × 23 ¹ / ₂	29 ³ / ₈ × 24
FP 4132	44 ¹ / ₈ × 19	40 ⁷ / ₈ × 15 ¹ / ₂	41 ³ / ₈ × 16
FP 4120	44 ¹ / ₈ × 23	40 ⁷ / ₈ × 19 ¹ / ₂	41 ³ / ₈ × 20
FP 4148	44 ¹ / ₈ × 27	40 ⁷ / ₈ × 23 ¹ / ₂	41 ³ / ₈ × 24
FPX 4148C	44 ¹ / ₈ × 27	40 ⁷ / ₈ × 23 ¹ / ₂	41 ³ / ₈ × 24
FP 4163	44 ¹ / ₈ × 46	40 ⁷ / ₈ × 19 ¹ / ₂	41 ³ / ₈ × 20
FP 4983	44 ¹ / ₈ × 46	40 ⁷ / ₈ × 42 ¹ / ₂	41 ³ / ₈ × 43

Sash and Frame Assembly



Flex-Pac Window Sash and Frame Assembly

Sash

Weatherstrip		
Weatherstrip - Head Jamb (Piece)		
Note: Size 29 is no longer available as of 1/1/09.	Unit No.	Gray
	29	N/A
	41	
	49	

Weatherstrip - Stile (Pair)		
Note: Sizes 16-43 no longer available as of 1/1/09.	Unit No.	Gray
	16	N/A
	20	
	24	
	34	
	43	
	52	

Weatherstrip - Lock Rail (Piece)		
Note: Sizes 29-41 no longer available as of 1/1/09.	Unit No.	Gray
	29	N/A
	41	
	49	

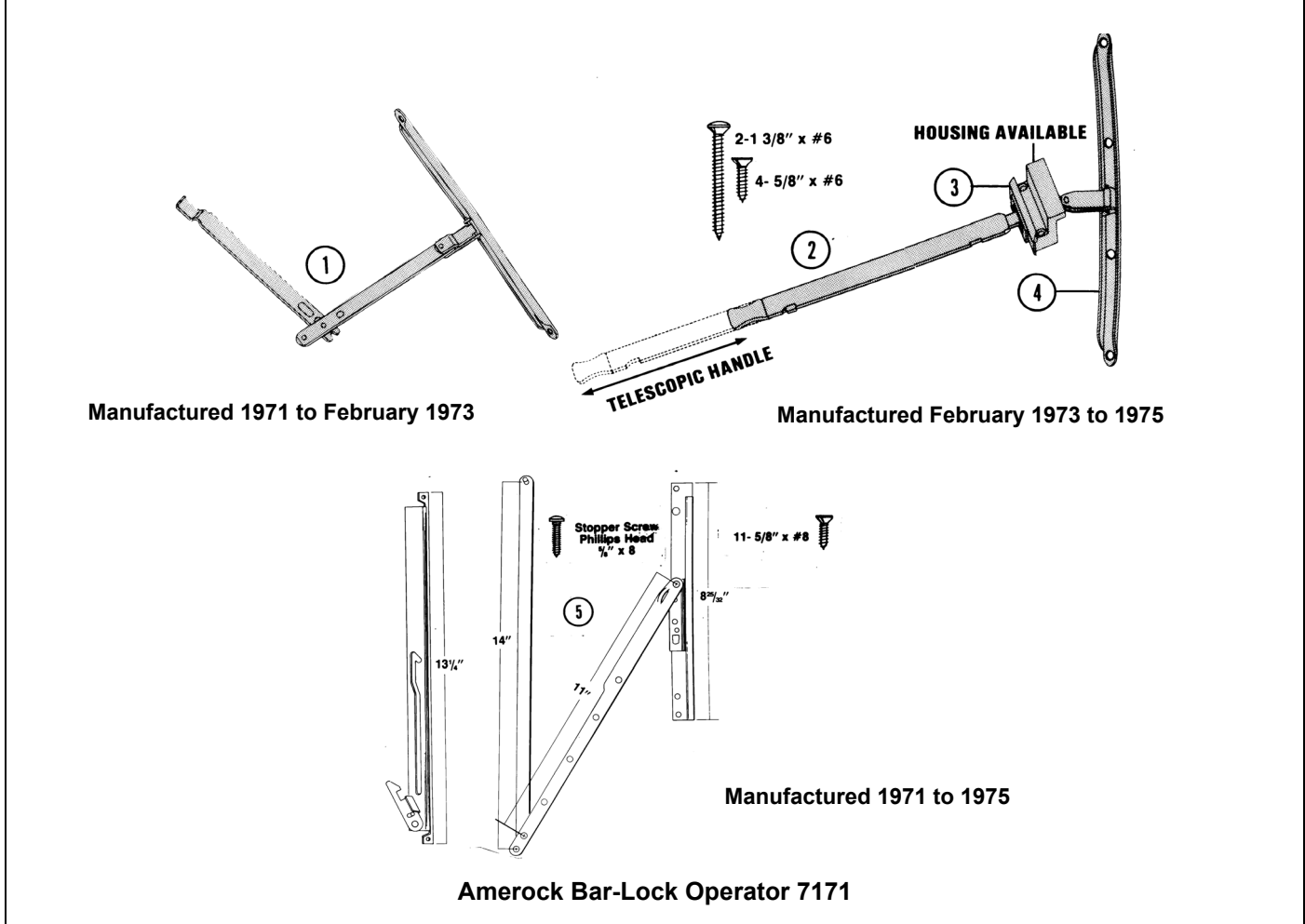
Weatherstrip - Transom Rail (Piece)		
Note: Size 29 no longer available as of 1/1/09.	Unit No.	Order No.
	29	N/A
	41	

Insect Screens

Insect Screens					
Insect Screen					
Unit No.	Dimensions (w x h)	Order No.	Unit No.	Dimensions (w x h)	Order No.
2916	31 ³ / ₈ × 17 ¹⁵ / ₁₆	0135912	4124	43 ³ / ₈ × 25 ¹⁵ / ₁₆	0135924
2920	31 ³ / ₈ × 21 ¹⁵ / ₁₆	0135906	4134A	43 ³ / ₈ × 36 ¹⁵ / ₁₆	N/A
2924	31 ³ / ₈ × 25 ¹⁵ / ₁₆	N/A	4136	43 ³ / ₈ × 37 ¹⁵ / ₁₆	0135936
4116	43 ³ / ₈ × 17 ¹⁵ / ₁₆	0135920	4920	21 ⁷ / ₈ × 51 ³ / ₈	0135932
4120	43 ³ / ₈ × 21 ¹⁵ / ₁₆	0135916	X2936	31 ³ / ₈ × 37 ¹⁵ / ₁₆	0135940

Hardware

Operator - Amerock / Bar-Lock / No. 7171 (February 1973 to 1975)



Operator - Amerock / Bar-Lock / No. 717 1 (February 1973 to 1975)

Note:
Operator manufactured from 1971 to February 1973 is no longer available. Replacement is no longer available as of 1/1/09.

Operator Housing- Amerock / Bar-Lock / No. 7171 (February 1973 to 1975) Ref. No. 3

Note: No longer available as of 1/1/09.	Order No.
	N/A

Hinge Set with Screws - Amerock / Bar-Lock / No. 7171 / Egress (February 1973 to 1975) Ref. No. 5

Set includes: (1) pair channels and adjuster arm hinges (4) round head screws (2) stopper screws (4) vinyl washers	Order No.
	N/A