

What's in This Section

Standard and Picture Windows	Page 5
Parts Illustration	5
Parts Illustration	5
Unit Sizes	6
Unit Size Chart - Standard Windows	6
Unit Size Chart - Picture Windows	7
Product History	8
Milestones	8
Sash	9
Sash Size Table	9
Sash Size Table - Picture Windows	10
Sash Illustration	11
Sash - Standard Windows / High Performance	12
Sash - Standard Windows / Dual Pane	13
Sash - Picture Windows / High Performance	14
Sash - Picture Windows / Dual Pane	15
Sash Parts	15
Weatherstrip	16
Glazing Beads - Vinyl	18
Removable Glazing Panel Parts	21
Removable Glazing Panels	21
Removable Glazing Panel Parts	21
Insect Screens	22
Insect Screens - TruScene® Screens	22
Insect Screens - Standard Screens	22
Insect Screen Parts	23
Grilles	24
Interior Grilles - Standard Window / Colonial / 3/4" Wood	24
Interior Grilles - Picture Window / Colonial / 3/4" Wood	24
Interior Grille Parts	25
Hardware	26
Straight Arm Operator and Lock - Amerock / No. 7191-32 (1979 - 1995)	26
Straight Arm Hinges	29
Fasteners - Straight Arm Hardware (1979 - 1995)	30
Split Arm Operator and Lock (1982 - 1995)	31
Split Arm Hinges	33
Fasteners - Split Arm Hardware (1982 - 1995)	34

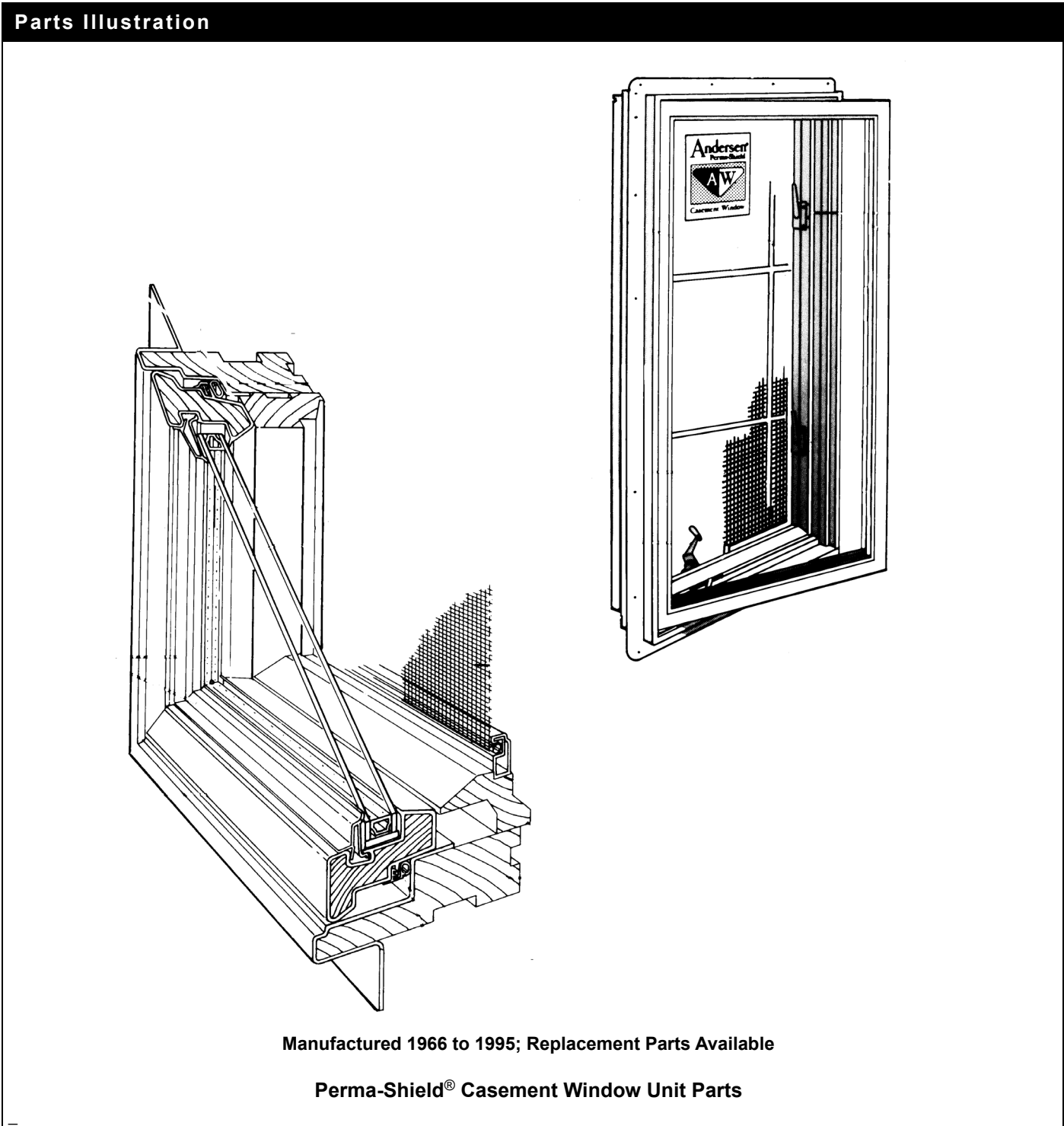
Straight Arm Operator and Lock - Amerock / No. 7191-2 (<i>June 1978 - 1979</i>)	35
Fasteners (<i>June 1978 - 1979</i>)	36
Straight Arm Operator and Lock - Amerock / No. 7191 (<i>1974 - May 1978</i>)	37
Fasteners (<i>1974 - May 1978</i>)	38
Straight Arm Operator and Lock - Amerock / Lock No. 7095 (<i>1965 - 1974</i>)	39
Fasteners (<i>1965 - 1974</i>)	41
Corrosion Resistant Hardware	42
Miscellaneous Hardware	43
Frames	44
Complete Frame Assembly - Standard and Picture Window	44
Head & Sill Stops	45
Side Stops	46
Extension Jambs	47
Joining Components	48
Narrow Mullion	48
Factory Mullion	50
Support Mullion	51
Reinforced Mull Joining Components - Steel	53
Reinforced Mull Joining Components - Aluminum	56
Art Glass Components	58
Art Glass Trim Stops	58
Art Glass Hardware	59
Angle Bay Windows	Page 61
Unit Sizes	61
Angle Bay Parts	63
Joining Components - Angle Bay	63
Interior Casing - Angle Bay	64
Head and Seat Boards - Angle Bay	65
Platform - Angle Bay	65
Cable Support System - Angle Bay	66
Box Bay Windows	Page 67
Unit Sizes	67
Box Bay Parts	68
Joining Components - Box Bay	69
Extension Jambs - Box Bay	70
Head and Seat Boards - Box Bay	70
Platform - Box Bay	70
Cable Support System - Box Bay	71
Bow Windows	Page 73

Unit Sizes	73
Bow Window Parts	74
Joining Components - Bow	74
Extension Jambs - Bow	76
Head and Seat Boards - Bow	77
Platform - Bow	77
Bow Parts	77
Cable Support System - Bow	78
 Service Replacement	 Page 79
Service Replacement Only Parts	79
Service Replacement Only Parts	79
Sash - Standard Windows / High Performance Sun Bronze	79
Sash - Standard Windows / Dual Pane 5/8 POG	79
Sash - Picture Windows / High Performance Sun Bronze	80
Sash - Picture Windows / High Performance Sun II	80
Sash Snugger	80
Hinge Channel Shims	81
Trim Strips - Angle Bay	81
Frames	82
Adhesive	82
Cartons	82

Perma-Shield® Casement Windows (1966 to 1995)

Standard and Picture Windows

Parts Illustration



Unit viewed from exterior.

Unit Sizes

Unit Size Chart - Standard Windows

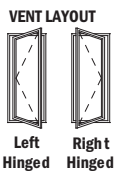
Note:

Unit Dimension refers to overall outside-to-outside frame. Unobstructed Glass refers to visible glass dimensions. Numbers in parentheses are metric measurements. See [Measuring Visible Glass Video](#).

Unit Dimension	1'-5"	1'-8 1/2"	2'-0 1/8"	2'-4 3/8"	2'-9 3/4"	3'-4 3/4"	4'-0"	4'-8 1/2"	5'-11 7/8"
Rough Opening	1'-5 1/2" (445)	1'-9" (533)	2'-0 5/8" (625)	2'-4 7/8" (733)	2'-10 1/4" (870)	3'-5 1/4" (1048)	4'-0 1/2" (1232)	4'-9" (1448)	6'-0 3/8" (1838)
Unobstructed Glass	12 5/8" (321)	16 3/8" (410)	19 3/4" (502)	24" (610)	12 5/8" (321)	16 3/8" (410)	19 3/4" (502)	24" (610)	19 3/4" (502)

CR2	CN2	C2	CW2	2'-0 7/8" (613)	CR12	CN12	C12	CW12
CR3	CN3	C3	CW3	2'-1 1/2" (913)	CR13	CN13	C13	CW13
CR35	CN35	C35	CW35	3'-4 3/4" (1037)	CR135	CN135	C135	CW135
CR4	CN4	C4	CW4	4'-0" (1219)	CR14	CN14	C14	CW14
CR45	CN45	C45	CW45	4'-4 1/2" (1341)	CR145	CN145	C145	CW145
CR5	CN5	C5	CW5	4'-1 1/2" (1521)	CR15	CN15	C15	CW15
CR55	CN55	C55	CW55	5'-4 13/16" (1646)	CR155	CN155	C155	CW155
CR6	CN6	C6	CW6	5'-11 7/8" (1826)	CR16	CN16	C16	CW16

Perma-Shield® Casement Standard Window Unit Sizes



Note:

Single sash indicates hinging left, right or stationary. Handing is viewed from exterior. Unit

Unit viewed from exterior.

Perma-Shield® Casement Windows (1966 to 1995)

Standard and Picture Windows

Unit Sizes

Unit Size Chart - Picture Windows

Note:

Unit Dimension refers to overall outside-to-outside frame. Numbers in parentheses are metric measurements. See [Measuring Visible Glass Video](#).

Unit	Dimension		Opening	Glass	Unit	Unit	Unit	Unit	Unit	
	Unit	Metric								
2'-11 ⁵ / ₁₆ " (913)	3'-0 1/2" (927)	31 1/8" (791)	2'-11 ¹⁵ / ₁₆ " (913)	3'-0 1/2" (927)	31 1/8" (791)	CP303	CP353	CP23	CP503	CP33
3'-4 13/16" (1037)	3'-5 3/8" (1051)	36" (914)	3'-4 13/16" (1037)	3'-5 3/8" (1051)	36" (914)	CP3035	CP3535	CP235	CP5035	CP335
4'-0" (1219)	4'-0 1/2" (1232)	43 3/16" (1097)	4'-0" (1219)	4'-0 1/2" (1232)	43 3/16" (1097)	CP304	CP354	CP24	CP504	CP34
4'-4 13/16" (1341)	4'-5 3/8" (1356)	48" (1219)	4'-4 13/16" (1341)	4'-5 3/8" (1356)	48" (1219)	CP3045	CP3545	CP245	CP5045	CP345
4'-11 7/8" (1521)	5'-0 3/8" (1534)	55 1/16" (1399)	4'-11 7/8" (1521)	5'-0 3/8" (1534)	55 1/16" (1399)	CP305	CP355	CP25	CP505	CP35
5'-4 13/16" (1646)	5'-5 3/8" (1660)	60" (1524)	5'-4 13/16" (1646)	5'-5 3/8" (1660)	60" (1524)	CP3055	CP3555	CP255	CP5055	
5'-11 7/8" (1826)	6'-0 3/8" (1838)	67 1/16" (1703)	5'-11 7/8" (1826)	6'-0 3/8" (1838)	67 1/16" (1703)	CP306	CP356	CP26	CP506	

Perma-Shield® Casement Picture Window Unit Sizes

Unit viewed from exterior.

Product History

Milestones

- 1995** Regional transition to Enhanced Casement.
- 1995** Single actuation lock, 3 foot wide venting width introduced.
- 1991** Sandtone color introduced.
- 1989** Hardwood picture window grilles introduced.
- 1988** Argon gas added to the sealed space of High-Performance™ insulating glass.
- 1985** Flexible dual duometer bulb weatherstrip introduced.
- 1984** High-Performance™ insulating glass introduced.
Tri-pane insulated glass discontinued on new units.
CX unit designation changed to CW.
- 1982** Blinds introduced for venting and stationary units.
Split-arm operator introduced.
- 1981** Tri-pane insulated glass introduced.
Silicone bed glazing first used to bond glass to sash.
- 1979** Casement lock design changed from four hole to three hole.
- 1974** Terratone® color introduced.
Stone-color straight-arm operator introduced.
30° and 45° Angle Bay units introduced.
- 1966** Perma-Shield Casement unit introduced.

Perma-Shield® Casement Windows (1966 to 1995)

Standard and Picture Windows

Sash

Sash Size Table

Note:

Overall Sash is measured outside edge to outside edge of frame.

Unobstructed Glass is dimension from outside edge to outside edge of visible glass only.

Actual Glass is dimension of outside edge to outside edge of glass, including glass that is not visible.

CP506 and CP35 (82) have the same visible glass dimensions. Use sash dimension to determine accurate size.

Sash Size Table - Standard Windows			
Unit No.	Overall Sash (w x h)	Unobstructed Glass (w x h)	Actual Glass (w x h)
CR2	15 ²⁷ / ₃₂ × 22 ⁹ / ₁₆	12 ⁵ / ₈ × 19 ⁵ / ₁₆	13 ¹⁵ / ₃₂ × 20 ³ / ₁₆
CR3	15 ²⁷ / ₃₂ × 34 ³ / ₈	12 ⁵ / ₈ × 31 ¹ / ₈	13 ¹⁵ / ₃₂ × 32
CR35	15 ²⁷ / ₃₂ × 39 ¹ / ₄	12 ⁵ / ₈ × 36	13 ¹⁵ / ₃₂ × 36 ⁷ / ₈
CR4	15 ²⁷ / ₃₂ × 46 ⁷ / ₁₆	12 ⁵ / ₈ × 43 ³ / ₁₆	13 ¹⁵ / ₃₂ × 44 ¹ / ₁₆
CR45	15 ²⁷ / ₃₂ × 51 ¹ / ₄	12 ⁵ / ₈ × 48	13 ¹⁵ / ₃₂ × 48 ⁷ / ₈
CR5	15 ²⁷ / ₃₂ × 58 ⁵ / ₁₆	12 ⁵ / ₈ × 55 ¹ / ₁₆	13 ¹⁵ / ₃₂ × 55 ¹⁵ / ₁₆
CR55	15 ²⁷ / ₃₂ × 63 ¹ / ₄	12 ⁵ / ₈ × 60	13 ¹⁵ / ₃₂ × 60 ⁷ / ₈
CR6	15 ²⁷ / ₃₂ × 70 ⁵ / ₁₆	12 ⁵ / ₈ × 67 ¹ / ₁₆	13 ¹⁵ / ₃₂ × 67 ¹⁵ / ₁₆
CN2	19 ¹¹ / ₃₂ × 22 ⁹ / ₁₆	16 ¹ / ₈ × 19 ⁵ / ₁₆	16 ³¹ / ₃₂ × 20 ³ / ₁₆
CN3	19 ¹¹ / ₃₂ × 34 ³ / ₈	16 ¹ / ₈ × 31 ¹ / ₈	16 ³¹ / ₃₂ × 32
CN35	19 ¹¹ / ₃₂ × 39 ¹ / ₄	16 ¹ / ₈ × 36	16 ³¹ / ₃₂ × 36 ⁷ / ₈
CN4	19 ¹¹ / ₃₂ × 46 ⁷ / ₁₆	16 ¹ / ₈ × 43 ³ / ₁₆	16 ³¹ / ₃₂ × 44 ¹ / ₁₆
CN45	19 ¹¹ / ₃₂ × 51 ¹ / ₄	16 ¹ / ₈ × 48	16 ³¹ / ₃₂ × 48 ⁷ / ₈
CN5	19 ¹¹ / ₃₂ × 58 ⁵ / ₁₆	16 ¹ / ₈ × 55 ¹ / ₁₆	16 ³¹ / ₃₂ × 55 ¹⁵ / ₁₆
CN55	19 ¹¹ / ₃₂ × 63 ¹ / ₄	16 ¹ / ₈ × 60	16 ³¹ / ₃₂ × 60 ⁷ / ₈
CN6	19 ¹¹ / ₃₂ × 70 ⁵ / ₁₆	16 ¹ / ₈ × 67 ¹ / ₁₆	16 ³¹ / ₃₂ × 67 ¹⁵ / ₁₆
C2	22 ³¹ / ₃₂ × 22 ⁹ / ₁₆	19 ³ / ₄ × 19 ⁵ / ₁₆	20 ¹⁹ / ₃₂ × 20 ³ / ₁₆
C3	22 ³¹ / ₃₂ × 34 ³ / ₈	19 ³ / ₄ × 31 ¹ / ₈	20 ¹⁹ / ₃₂ × 32
C35	22 ³¹ / ₃₂ × 39 ¹ / ₄	19 ³ / ₄ × 36	20 ¹⁹ / ₃₂ × 36 ⁷ / ₈
C4	22 ³¹ / ₃₂ × 46 ⁷ / ₁₆	19 ³ / ₄ × 43 ³ / ₁₆	20 ¹⁹ / ₃₂ × 44 ¹ / ₁₆
C45	22 ³¹ / ₃₂ × 51 ¹ / ₄	19 ³ / ₄ × 48	20 ¹⁹ / ₃₂ × 48 ⁷ / ₈
C5	22 ³¹ / ₃₂ × 58 ⁵ / ₁₆	19 ³ / ₄ × 55 ¹ / ₁₆	20 ¹⁹ / ₃₂ × 55 ¹⁵ / ₁₆
C55	22 ³¹ / ₃₂ × 63 ¹ / ₄	19 ³ / ₄ × 60	20 ¹⁹ / ₃₂ × 60 ⁷ / ₈
C6	22 ³¹ / ₃₂ × 70 ⁵ / ₁₆	19 ³ / ₄ × 67 ¹ / ₁₆	20 ¹⁹ / ₃₂ × 67 ¹⁵ / ₁₆
CW2	27 ⁷ / ₃₂ × 22 ⁹ / ₁₆	24 × 19 ⁵ / ₁₆	24 ²⁷ / ₃₂ × 20 ³ / ₁₆
CW3	27 ⁷ / ₃₂ × 34 ³ / ₈	24 × 31 ¹ / ₈	24 ²⁷ / ₃₂ × 32
CW35	27 ⁷ / ₃₂ × 39 ¹ / ₄	24 × 36	24 ²⁷ / ₃₂ × 36 ⁷ / ₈
CW4	27 ⁷ / ₃₂ × 46 ⁷ / ₁₆	24 × 43 ³ / ₁₆	24 ²⁷ / ₃₂ × 44 ¹ / ₁₆
CW45	27 ⁷ / ₃₂ × 51 ¹ / ₄	24 × 48	24 ²⁷ / ₃₂ × 48 ⁷ / ₈
CW5	27 ⁷ / ₃₂ × 58 ⁵ / ₁₆	24 × 55 ¹ / ₁₆	24 ²⁷ / ₃₂ × 55 ¹⁵ / ₁₆
CW55	27 ⁷ / ₃₂ × 63 ¹ / ₄	24 × 60	24 ²⁷ / ₃₂ × 60 ⁷ / ₈
CW6	27 ⁷ / ₃₂ × 70 ⁵ / ₁₆	24 × 67 ¹ / ₁₆	24 ²⁷ / ₃₂ × 67 ¹⁵ / ₁₆

Sash

Sash Size Table - Picture Windows

Sash Size Table - Picture Window

Note:

Overall Sash is measured outside edge to outside edge of frame.

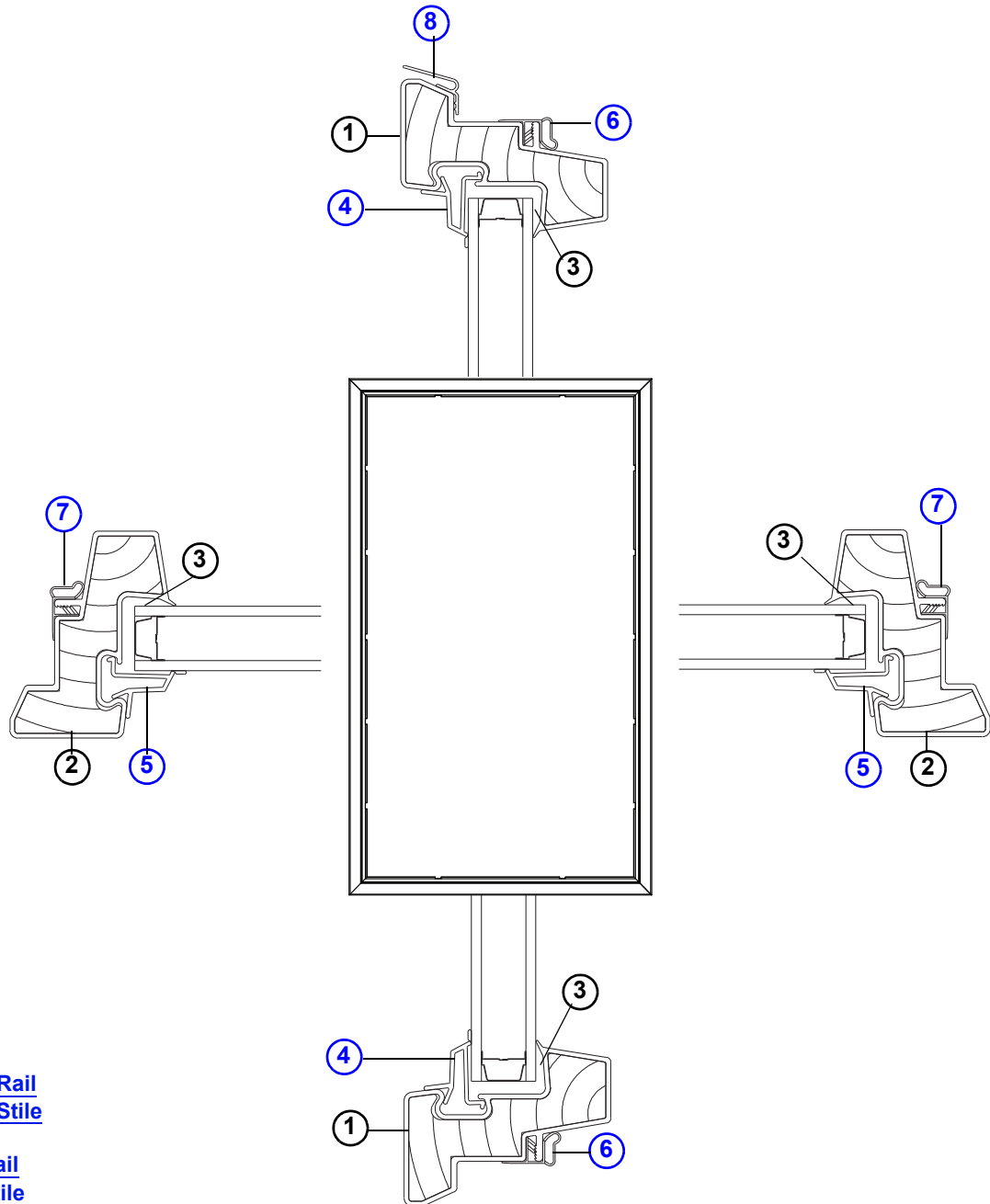
Unobstructed Glass is dimension from outside edge to outside edge of visible glass only.

Actual Glass is dimension of outside edge to outside edge of glass, including glass that is not visible.

* CP26 and CP34 are close in size. The coped-end stop on CP34 is 69 3/16 long.

Unit No.	Overall Sash (w x h)	Unobstructed Glass (w x h)	Actual Glass (w x h)
CP303	34 ²⁵ / ₃₂ × 34 ³ / ₈	31 ⁹ / ₁₆ × 31 ¹ / ₈	32 ¹³ / ₃₂ × 32
CP305	34 ²⁵ / ₃₂ × 58 ⁵ / ₁₆	31 ⁹ / ₁₆ × 55 ¹ / ₁₆	32 ¹³ / ₃₂ × 55 ¹⁵ / ₁₆
CP353	39 ¹⁹ / ₃₂ × 34 ³ / ₈	36 ³ / ₈ × 31 ¹ / ₈	37 ⁹ / ₃₂ × 32
CP3535	39 ¹⁹ / ₃₂ × 39 ¹ / ₄	36 ³ / ₈ × 36	37 ⁹ / ₃₂ × 36 ⁷ / ₈
CP354	39 ¹⁹ / ₃₂ × 46 ⁷ / ₁₆	36 ³ / ₈ × 43 ³ / ₁₆	37 ⁹ / ₃₂ × 44 ¹ / ₁₆
CP3545	39 ¹⁹ / ₃₂ × 51 ¹ / ₄	36 ³ / ₈ × 48	37 ⁹ / ₃₂ × 48 ⁷ / ₈
CP355	39 ¹⁹ / ₃₂ × 58 ⁵ / ₁₆	36 ³ / ₈ × 55 ¹ / ₁₆	37 ⁹ / ₃₂ × 55 ¹⁵ / ₁₆
CP3555	39 ¹⁹ / ₃₂ × 63 ¹ / ₄	36 ³ / ₈ × 60	37 ⁹ / ₃₂ × 60 ⁷ / ₈
CP356	39 ¹⁹ / ₃₂ × 70 ⁵ / ₁₆	36 ³ / ₈ × 67 ¹ / ₁₆	37 ⁹ / ₃₂ × 67 ¹⁵ / ₁₆
CP23	46 ²⁷ / ₃₂ × 34 ³ / ₈	43 ⁵ / ₈ × 31 ¹ / ₈	44 ¹⁵ / ₃₂ × 32
CP235	46 ²⁷ / ₃₂ × 39 ¹ / ₄	43 ⁵ / ₈ × 36	44 ¹⁵ / ₃₂ × 36 ⁷ / ₈
CP24	46 ²⁷ / ₃₂ × 46 ⁷ / ₁₆	43 ⁵ / ₈ × 43 ³ / ₁₆	44 ¹⁵ / ₃₂ × 44 ¹ / ₁₆
CP245	46 ²⁷ / ₃₂ × 51 ¹ / ₄	43 ⁵ / ₈ × 48	44 ¹⁵ / ₃₂ × 48 ⁷ / ₈
CP25	46 ²⁷ / ₃₂ × 58 ⁵ / ₁₆	43 ⁵ / ₈ × 55 ¹ / ₁₆	44 ¹⁵ / ₃₂ × 55 ¹⁵ / ₁₆
CP255	46 ²⁷ / ₃₂ × 63 ¹ / ₄	43 ⁵ / ₈ × 60	44 ¹⁵ / ₃₂ × 60 ⁷ / ₈
CP26*	46 ²⁷ / ₃₂ × 70 ⁵ / ₁₆	43 ⁵ / ₈ × 67 ¹ / ₁₆	44 ¹⁵ / ₃₂ × 67 ¹⁵ / ₁₆
CP503	58 ²³ / ₃₂ × 34 ³ / ₈	55 ¹ / ₂ × 31 ¹ / ₈	56 ¹¹ / ₃₂ × 32
CP5035	58 ²³ / ₃₂ × 39 ¹ / ₄	55 ¹ / ₂ × 36	56 ¹¹ / ₃₂ × 36 ⁷ / ₈
CP504	58 ²³ / ₃₂ × 46 ⁷ / ₁₆	55 ¹ / ₂ × 43 ³ / ₁₆	56 ¹¹ / ₃₂ × 44 ¹ / ₁₆
CP5045	58 ²³ / ₃₂ × 51 ¹ / ₄	55 ¹ / ₂ × 48	56 ¹¹ / ₃₂ × 48 ⁷ / ₈
CP505	58 ²³ / ₃₂ × 58 ⁵ / ₁₆	55 ¹ / ₂ × 55 ¹ / ₁₆	56 ¹¹ / ₃₂ × 55 ¹⁵ / ₁₆
CP5055	58 ²³ / ₃₂ × 63 ¹ / ₄	55 ¹ / ₂ × 60	56 ¹¹ / ₃₂ × 60 ⁷ / ₈
CP506	58 ²³ / ₃₂ × 70 ⁵ / ₁₆	55 ¹ / ₂ × 67 ¹ / ₁₆	56 ¹¹ / ₃₂ × 67 ¹⁵ / ₁₆
CP33	70 ²³ / ₃₂ × 34 ³ / ₈	67 ¹ / ₂ × 31 ¹ / ₈	68 ¹¹ / ₃₂ × 32
CP335	70 ²³ / ₃₂ × 39 ¹ / ₄	67 ¹ / ₂ × 36	68 ¹¹ / ₃₂ × 36 ⁷ / ₈
CP34	70 ²³ / ₃₂ × 46 ⁷ / ₁₆	67 ¹ / ₂ × 43 ³ / ₁₆	68 ¹¹ / ₃₂ × 44 ¹ / ₁₆
CP345	70 ²³ / ₃₂ × 51 ¹ / ₄	67 ¹ / ₂ × 48	68 ¹¹ / ₃₂ × 48 ⁷ / ₈
CP35 (76)	70 ²³ / ₃₂ × 58 ⁵ / ₁₆	65 ⁷ / ₁₆ × 53 ¹ / ₁₆	68 ¹¹ / ₃₂ × 55 ¹⁵ / ₁₆
CP35 (82)	70 ²³ / ₃₂ × 58 ⁵ / ₁₆	67 ¹ / ₂ × 55 ¹ / ₁₆	68 ¹¹ / ₃₂ × 55 ¹⁵ / ₁₆

Sash Illustration



1. Rail
2. Stile
3. Silicone Glazing
4. [Glazing Beads-Rail](#)
5. [Glazing Beads-Stile](#)
6. [Weatherstrip-Rail](#)
7. [Weatherstrip-Stile](#)
8. [Waterbar Weatherstrip](#)

Perma-Shield® Casement Sash

Sash

Sash - Standard Windows / High Performance

Note:

Replacement sash is dimpled for hardware and has notches to accommodate colonial pattern polycarbonate/vinyl removable grilles.

Stationary sash are shipped without clips, screws, or nails.

Welded glass sash are no longer available. Replace with Dual Pane sash shown on the next page.

Sizes shown in size grid that are not part numbered may be available by description.

White was introduced in 1966; Terratone® in 1974; Sandtone in 1991. 45 and 55 sizes were introduced in 1991.

See [Service Guide 0003911](#) for venting sash replacement. See [Venting Sash Replacement Video](#).

See [Service Guide 0005111](#) for stationary sash replacement. See [Stationary Sash Replacement Video](#).

Sash - Standard Window / High-Performance

Unit No.	White	Terratone®	Sandtone	Unit No.	White	Terratone®	Sandtone
CR2	1337802	1440502	0608602	C2	1337806	1440506	0608634
CR3	1337810	1440510	0608604	C3	1337814	1440514	0608636
CR35	1337818	1440518	0608606	C35	1337822	1440522	0608638
CR4	1337826	1440526	0608608	C4	1337830	1440530	0608640
CR45	1337831	1440543	0608609	C45	1337833	1440533	0608642
CR5	1337834	1440534	0608612	C5	1337838	1440538	0608644
CR55	1337835	1440545	0608615	C55	1337841	1440541	0608646
CR6	1337842	1440542	0608616	C6	1337846	1440546	0608648
CN2	1337804	1440504	0608618	CW2	1337808	1440508	0608650
CN3	1337812	1440512	0608620	CW3	1337816	1440516	0608652
CN35	1337820	1440520	0608622	CW35	1337824	1440524	0608654
CN4	1337828	1440528	0608624	CW4	1337832	1440532	0608656
CN45	1337851	1440531	0608626	CW45	1337852	1440535	0608658
CN5	1337836	1440536	0608628	CW5	1337840	1440540	0608660
CN55	1337854	1440537	0608630	CW55	1337856	1440539	0608662
CN6	1337844	1440544	0608632	CW6	1337848	1440548	0608664

Sash - Standard Window / High-Performance Tempered

Unit No.	White	Terratone®	Sandtone	Unit No.	White	Terratone®	Sandtone
CR2	1346302	By description	By description	C2	1346362	By description	0608934
CR3	1346304	1441104	0608904	C3	1346308	1441108	0608936
CR35	1346312	1441112	By description	C35	1346316	By description	0608938
CR4	1346320	1441120	0608908	C4	1346324	1441124	0608940
CR45	1346325	By description	By description	C45	1346327	1441127	0608942
CR5	1346328	1441128	0608912	C5	1346330	1441130	0608944
CR55	1346331	By description	By description	C55	1346333	1441133	0608946
CR6	1346334	1441134	By description	C6	1346336	1441136	0608948
CN2	By description	By description	By description	CW2	1346303	By description	By description
CN3	1346306	By description	0608920	CW3	1346310	1441110	0608952
CN35	1346314	1441114	0608922	CW35	1346318	1441118	0608954
CN4	1346322	1441122	0608924	CW4	1346326	1441126	0608956
CN45	1346364	By description	By description	CW45	1346366	1441166	0608958
CN5	1346329	1441129	0608928	CW5	1346332	1441132	0608960
CN55	1346368	By description	By description	CW55	1346370	1441170	0608962
CN6	1346335	1441135	0608932	CW6	1346338	1441138	0608964

Perma-Shield® Casement Windows (1966 to 1995)

Standard and Picture Windows

Sash

Sash - Standard Window / High-Performance Sun II

Note:

Complete sash for standard windows with High-Performance Sun II glass is available. Order by description.

Sash - Standard Window / High-Performance Sun II Tempered

Note:

Complete sash for standard windows with High-Performance Sun II Tempered glass is available. Order by description.

Sash - Standard Window / High-Performance Obscure

Unit No.	White	Terratone®	Sandtone	Unit No.	White	Terratone®	Sandtone
CR2	1339121	By description	By description	C3	1339106	1442306	By description
CR3	1339104	1442304	By description	C35	1339114	By description	By description
CR4	By description	By description	By description	C4	1339120	By description	By description
CN3	1339130	By description	By description	CW35	1339146	By description	By description
C2	1339138	By description	By description				

Sash - Standard Windows / Dual Pane

Note:

Replacement sash is dimpled for hardware and has notches to accommodate colonial pattern polycarbonate/vinyl removable grilles.

See [Service Guide 0003911](#) for venting sash replacement. See [Venting Sash Replacement Video](#).

See [Service Guide 0005111](#) for stationary sash replacement. See [Stationary Sash Replacement Video](#).

Sash - Standard Window / Dual Pane

Unit No.	White	Terratone®	Sandtone	Unit No.	White	Terratone®	Sandtone
CR2	1346801	1446801	By description	CN2	By description	By description	By description
CR3	1346802	1446802	By description	CN3	1346832	1446832	By description
CR35	1346803	1446803	By description	CN35	1346819	1446811	By description
CR4	1346804	1446804	By description	CN4	1346834	1446834	By description
CR45	By description	By description	By description	CN45	1339176	By description	By description
CR5	1346806	1446806	By description	CN5	1346838	1446836	0608448
CR55	By description	By description	By description	CN55	1339182	By description	0608445
CR6	1346807	1446807	By description	CN6	1346840	1446838	By description
C2	By description	By description	By description	CW2	1346836	1446819	By description
C3	1346808	1446808	0608426	CW3	1346820	1446820	0608453
C35	1346810	1446810	0608424	CW35	1346822	1446822	0608452
C4	1346812	1446812	0608429	CW4	1346826	1446826	0608457
C45	1339154	By description	0608427	CW45	1339197	By description	0608456
C5	1346816	1446816	0608434	CW5	1346827	1446828	0608461
C55	1339160	By description	0608431	CW55	1339203	By description	0608459
C6	1346818	1446818	0608436	CW6	1346829	1446830	0608463

Sash

Sash - Picture Windows / High Performance

Note:

Chart below does not acknowledge all sizes shown in size grid (see [page 7](#)) that are available by description. CP35 is '82' version with visible glass dimension of 67 1/2 x 55 1/16 (see [page 9](#)). Clips/fasteners included.

See [Service Guide 0005111](#) and [Stationary Sash Replacement Video](#).

Sash - Picture Window / High-Performance

Unit No.	White	Terratone®	Sandtone	Unit No.	White	Terratone®	Sandtone
CP23	1337908	1440608	0608672	CP305	1337904	1440604	0608668
CP235	1337912	1440612	0608674	CP33	1337928	1440628	0608688
CP24	1337916	1440616	0608676	CP335	1337932	1440632	0608690
CP245	1337918	1440618	0608678	CP34	1337936	1440636	0608692
CP25	1337920	1440620	0608680	CP35	1337940	1440640	0608696
CP255	1337922	1440622	0608662	CP3535	1337946	1440606	By description
CP26	1337924	1440624	0608684	CP505	1337950	1440626	0608686
CP303	1346663	1346662	1346661				

Sash - Picture Window / High-Performance Tempered

Unit No.	White	Terratone®	Sandtone	Unit No.	White	Terratone®	Sandtone
CP23	1346342	1441143	By description	CP305	1346340	1441140	By description
CP235	By description	By description	By description	CP33	1346352	1441152	By description
CP24	1346346	1441146	By description	CP335	By description	By description	By description
CP245	By description	By description	By description	CP34	1346356	1441156	By description
CP25	1346348	1441149	0608980	CP35	1346358	1441158	0608996
CP255	By description	By description	By description	CP3535	By description	By description	By description
CP26	1346350	1441150	0608984	CP505	1346746	1346745	1346744
CP303	By description	By description	By description				

Sash - Picture Window / High-Performance Sun II

Unit No.	White	Terratone®	Sandtone	Unit No.	White	Terratone®	Sandtone
CP23	By description	By description	By description	CP305	1346650	1346666	1346664
CP235	By description	By description	By description	CP33	1346671	1346670	1346669
CP24	1346654	1346653	1346652	CP335	1346749	1346748	1346747
CP245	By description	By description	By description	CP34	1346674	1346673	1346672
CP25	1346657	1346656	1346655	CP35	1346743	1346742	1346741
CP255	By description	By description	By description	CP3535	By description	By description	By description
CP26	1346660	1346659	1346658	CP505	By description	By description	By description
CP303	By description	By description	By description				

Sash - Picture Window / High-Performance Sun II Tempered

Note:

Complete sash for picture windows with High-Performance Sun II Tempered glass are available. Order by description.

Sash

Sash - Picture Windows / Dual Pane

Note:

Chart below does not acknowledge all sizes shown in size grid (see [page 7](#)) that are available by description. CP35 is '82' version with visible glass dimension of 67 1/2 x 55 1/16 (see [page 9](#)). Clips/fasteners included.

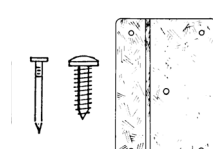
See [Service Guide 0005111](#) and [Stationary Sash Replacement Video](#).

Sash - Picture Window / Dual Pane

Unit No.	White	Terratone®	Sandtone	Unit No.	White	Terratone®	Sandtone
CP23	1346520	1446520	By description	CP305	1346544	1446544	By description
CP235	1346526	1446526	By description	CP33	1346524	1446524	By description
CP24	1346528	1446528	By description	CP335	1346530	1446530	By description
CP245	By description	By description	By description	CP34	1346532	1446532	By description
CP25	1346536	1446536	By description	CP35	1346534	1446534	By description
CP255	By description	By description	By description	CP3535	1346548	1446548	By description
CP26	1346540	1446540	By description	CP505	By description	By description	By description
CP303	1346546	By description	By description				

Sash Parts


Stationary Sash Package

	Package Includes; 14 clips, 36 nails and 24 screws	Order No.
		1359408

Stationary Sash Clip - Single

	Order No.
	1525012

Sash Snugger Kit

	Kit Includes: Sash snugger, screws and guide. Snugger screw (frame) Installed on units C4 or larger. See Accessory Guide 0005099 .	Order No.
		1358104

Sash

Weatherstrip

Note:

See [Weatherstrip Replacement Video](#).

Weatherstrip / Rail (Pair) Ref. No. 6 [page 11](#)

Note:

This weatherstrip replaces all previous [vintages](#) of “kerf style” weatherstrip. Weatherstrip is pressure fit; no adhesive is required. Replace all four pieces (two rails, two stiles) on each sash.

	Unit No.	Dimensions	White	Gray
	CR1	14 ³¹ / ₃₂	1362306	1461206
	CN1	18 ¹⁵ / ₃₂	1362312	1461212
	C1	22 ³ / ₃₂	1362308	1461208
	CW1	26 ¹¹ / ₃₂	1362310	1461210
	CX1	29 ¹⁵ / ₃₂	1362313	1461213

Weatherstrip / Stile (Pair) Ref. No. 7 [page 11](#)

Note:

This weatherstrip replaces all previous [vintages](#) of “kerf style” weatherstrip. Weatherstrip is pressure fit; no adhesive is required. Replacement piece is notched on each side. Replace all four pieces (two rails, two stiles) on each sash.

	Unit No.	Dimensions	White	Gray
	C2	21 ²¹ / ₃₂	1362406	1461306
	C25	25 ²⁹ / ₃₂	1362407	1461307
	C3	33 ¹ / ₂	1362408	1461308
	C35	38 ³ / ₈	1362410	1461312
	C4	45 ⁹ / ₁₆	1362412	1461316
	C45	50 ³ / ₈	1362413	1461318
	C5	57 ⁷ / ₁₆	1362414	1461320
	C55	62 ³ / ₈	1362415	1461322
	C6	69 ⁷ / ₁₆	1362416	1461324

Weatherstrip - Waterbar No. 8 [page 11](#)

Note:

Use this waterbar as replacement for all previous vintage waterbars. Replacement waterbar is adhered to sash with [vinyl-to-vinyl adhesive](#).

	Unit No.	Dimensions	White	Gray
	CR1	15 ²⁵ / ₃₂	1362106	1461006
	CN1	19 ⁹ / ₃₂	1362110	1461010
	C1	22 ²⁹ / ₃₂	1362108	1461008
	CW1	27 ⁵ / ₃₂	1362112	1461012
	CX1	30 ⁹ / ₃₂	1362123	1461021
	CXW1	34 ²³ / ₃₂	1362124	1461022
	CP2	46 ²⁵ / ₃₂	1362113	1461013
	CP3	70 ³⁵ / ₆₄	1362116	1461016
	CP30	34 ²³ / ₃₂	1362114	1461014
	CP50	58 ²¹ / ₃₂	1362120	1461020

Perma-Shield® Casement Windows (1966 to 1995)

Standard and Picture Windows

Sash

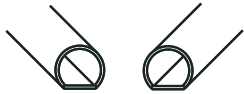
Weatherstrip - Rail and Stile (1978 to 1983)

Note:

The weatherstrip pictured below is no longer available. Use current [weatherstrip](#) as replacement. When replacing these earlier vintage “kerf style” weatherstrip pieces with the current [weatherstrip](#), replace all four pieces. Pressure fit, no adhesive required.



Weatherstrip - Glue On (1966 to 1977)



Note:

Leaf-type glue on weatherstrip is no longer available. Use order no. 1362222 shown here as replacement, replacing all four pieces. Use vinyl-to-vinyl adhesive to adhere glue-on weatherstrip.

Length

72"

Order No.

1362222

Adhesive - Vinyl-to-Vinyl / Clear

Note:

Use vinyl-to-vinyl adhesive to adhere glue-on weatherstrip.

2 Ounce

[1357007](#)

1 Pint

1357012

Weatherstrip - Black Foam



Order No.

[2962027](#)

Sash

Glazing Beads - Vinyl

Note:

See [Glazing Bead Replacement Video](#). Bead size is stamped or ink-jet printed on the back of each bead. Color matched silicone can be used as a replacement for glazing bead not available. One 10 ounce tube per 3' x 3' sash (2 rails, 2 stiles). Tool to desired finish appearance.

Silicone Sealant		
Color	Size	Order No.
White	10.3 fluid oz.	2903021
Sandtone	10.3 fluid oz.	2903023
Terratone®	10.3 fluid oz.	2903022
Forest Green	10.14 fluid oz.	9064527
Canvas	10.3 fluid oz.	4230225

Glazing Bead - 5/8" / Rail (1983 to 2003) No. 4 [page 11](#)

Note:

These glazing beads are no longer available. To replace, order [Improved/EZ Casement](#) vintage glazing beads (March 2004 to Present) and replace all four beads, not just the failed bead (the profiles are different).

		Unit No.	Dimensions
		CR1	13 ¹⁷ / ₃₂
		CN1	17 ¹ / ₃₂
		C1	20 ²¹ / ₃₂
		CW1	24 ²⁹ / ₃₂
		CP2	44 ³⁷ / ₆₄
		CP3	68 ²⁹ / ₆₄
		CP30	32 ¹ / ₂
	CP50	56 ²⁹ / ₆₄	

Glazing Bead - 5/8" / Stile (1983 to 2003) No. 5 [page 11](#)

Note:

These glazing beads are no longer available. To replace, order [Improved/EZ Casement](#) vintage glazing beads (March 2004 to Present) and replace all four beads, not just the failed bead (the profiles are different).

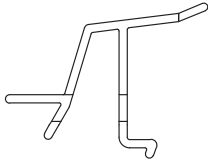
		Unit No.	Dimensions
		C2	20 ⁵ / ₁₆
		C3	32 ¹ / ₈
		C35	37
		C4	44 ³ / ₁₆
		C45	49
		C5	56 ¹ / ₆
		C55	61
	C6	68 ³ / ₃₂	

Perma-Shield® Casement Windows (1966 to 1995)

Standard and Picture Windows

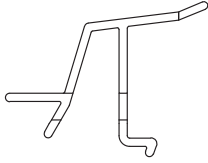
Sash

Glazing Bead - 3/8" Weld / Rail (1966 to 1989)

	Unit No.	Dimensions	White	Terratone®
	CR1	13 ¹⁷ / ₃₂	1350606	1470906
	CN1	17 ¹ / ₃₂	1350608	1470908
	C1	20 ²¹ / ₃₂	1350610	1470910
	CW1	24 ²⁹ / ₃₂	1350618	1470916
	CP2	44 ³⁷ / ₆₄	1350612	1470912
	CP30	32 ¹ / ₂	1350616	1470914


Glazing Bead - 3/8" Weld / Stile (1966 to 1989)

Note:
C6 size is not available.

	Unit No.	Dimensions	White	Terratone®
	C2	20 ⁵ / ₁₆	1350619	1471017
	C3	32 ¹ / ₈	1350620	1471018
	C35	37	1350622	1471020
	C4	44 ³ / ₁₆	1350624	1471022
	C5	56 ¹ / ₁₆	1350626	1471024


Glazing Bead - 1" / Rail (1981 to 1991)

Note:
Use on Tri-pane and picture sash. Adhesive (part # 2957804) can be used to help secure if necessary.

	Unit No.	Dimensions	White	Terratone®
	CR1	13 ¹⁷ / ₃₂	1350902	1471302
	CN1	17 ¹ / ₃₂	1350904	1471304
	C1	20 ²¹ / ₃₂	1350906	1471306
	CW1	24 ²⁹ / ₃₂	1350908	1471308
	CP2	44 ²⁹ / ₃₂	1350912	1471312
	CP3	68 ²⁵ / ₃₂	1350914	1471314
	CP30	32 ²⁷ / ₃₂	1350910	1471310
	CP50	56 ²⁵ / ₃₂	1350913	1471313

Glazing Bead - 1" / Stile (1981 to 1991)

Note:
Use on Tri-pane and picture sash. Adhesive (part # 2957804) can be used to help secure if necessary.

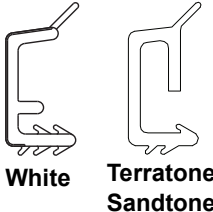
	Unit No.	Dimensions	White	Terratone®
	C2	20 ⁴³ / ₆₄	1350938	1471338
	C3	32 ³¹ / ₆₄	1350916	1471316
	C35	37 ²³ / ₆₄	1350918	1471318
	C4	44 ³⁵ / ₆₄	1350920	1471320
	C5	57 ²⁷ / ₆₄	1350922	1471322
	C6	68 ²⁷ / ₆₄	1350924	1471324

Sash

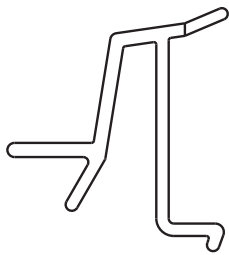
Glazing Bead - .825 Picture / Rail and Stile

Note:

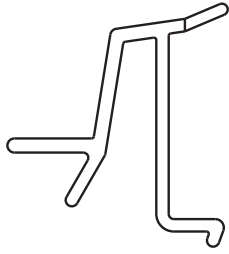
From 1991 to 1995, 825 picture glazing beads had no VHB tape. After 1995, beads have VHB tape. If replacing beads without VHB tape with beads with VHB tape, all four sides must be replaced. If N/A, order longer length bead and size to fit.

 White Terratone Sandtone	Unit No.	Dimensions	White	Terratone®	Sandtone
		C3/A3	32 ¹³ / ₃₂	1351110	1470210
	C35/A35	37 ⁷ / ₃₂	1351112	1470212	0611712
	C4/A4	44 ¹⁵ / ₃₂	1351114	1470214	0611714
	C45/A45	49 ⁹ / ₃₂	8021601	8021602	8021603
	C5/A5	56 ¹ / ₁₆	1351116	1470216	0611718
	C55/A55	61 ⁹ / ₃₂	8021604	8021605	8021606
	C6/A6	68 ¹¹ / ₃₂	1351118	1470218	0611722
	CP2/AP2	44 ²⁹ / ₃₂	1351104	1470204	0611704
	CP3/AP3	68 ²⁵ / ₃₂	1351108	1470208	0611708
	CP30/AP30	32 ²⁷ / ₃₂	1351102	1470202	N/A
	CP50/AP50	56 ²⁵ / ₃₂	1351106	1470206	0611706

Glazing Bead - 9/16" Organic / Rail

	Unit No.	Dimensions	White	Terratone®
	CR1	13 ¹⁷ / ₃₂	N/A	1470006
	CN1	17 ¹ / ₃₂	N/A	1470008
	C1	20 ²¹ / ₃₂	N/A	1470010
	CW1	24 ²⁹ / ₃₂	N/A	1470016
	CP2	44 ³⁷ / ₆₄	N/A	1470012
	CP3	68 ²⁹ / ₆₄	N/A	N/A
	CP30/303	32 ¹ / ₂	N/A	1470014
	CP50	56 ²⁹ / ₆₄	N/A	N/A

Glazing Bead - 9/16" Organic / Stile

	Unit No.	Dimensions	White	Terratone®
	C3	32 ¹ / ₈	N/A	1470116
	C35	37	N/A	1470118
	C4	44 ³ / ₁₆	N/A	1470120
	C5	56 ¹ / ₁₆	N/A	1470122
	C6	68 ³ / ₃₂	N/A	1470124

Perma-Shield® Casement Windows (1966 to 1995)

Standard and Picture Windows


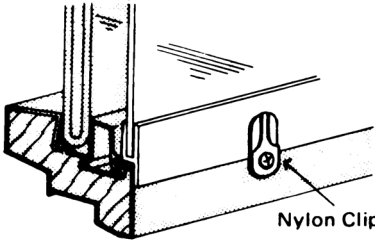
Removable Glazing Panel Parts

Removable Glazing Panels

Note:
Replacement removable glazing panels are no longer available.

Removable Glazing Panel Parts

Retainer Clip Packet

<p style="text-align: center;">REPLACEMENT GLAZING PANEL RETAINER CLIP</p> <div style="text-align: center;">  </div> <p style="text-align: center;">Truss Hd. Screw, Nylon Clip & Collar Insert</p> <div style="text-align: center;">  <p style="text-align: right; margin-right: 20px;">Nylon Clip</p> </div>	<p>Packet Includes: (10) Nylon clips (10) Collar inserts (20) Screws</p>	White	Terratone®
		1345916	1445716

Insect Screens

Insect Screens - TruScene® Screens

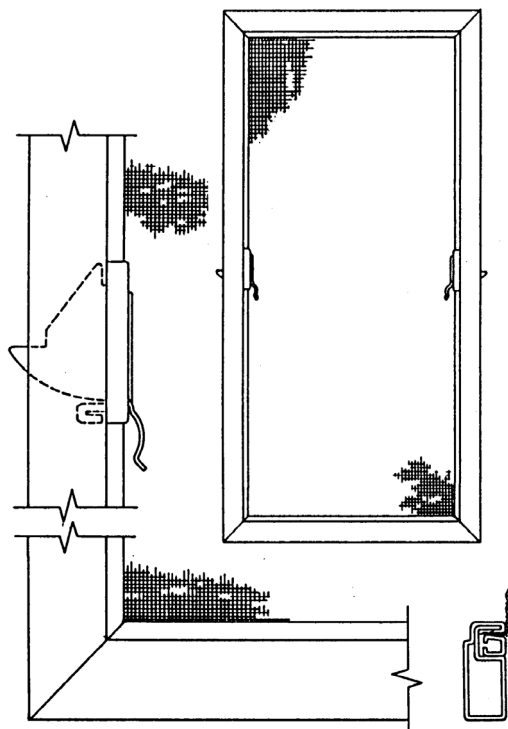
Note:

TruScene® insect screens are available. See TruScene® screens in the Perma-Shield® Improved/EZ Casement Windows (1999 to Present) section for order information.

Insect Screens - Standard Screens


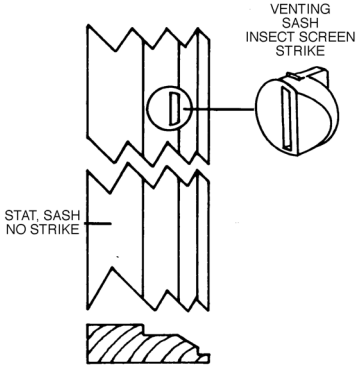
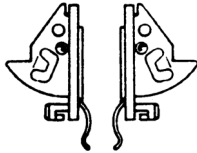
Note:

See [Insect Screen Replacement Video](#). Replace CX unit insect screens with CW unit insect screens.



Unit No.	Dimensions (w x h)	Stone	White
CR2	13 9/16 x 19 21/32	1344006	1345022
CR3	13 9/16 x 31 15/32	1344025	1345024
CR35	13 9/16 x 36 11/32	1344009	1345026
CR4	13 9/16 x 43 17/32	1344026	1345028
CR45	13 9/16 x 48 11/32	1344017	1345029
CR5	13 9/16 x 55 13/32	1344027	1345030
CR55	13 9/16 x 60 11/32	1344021	1345031
CR6	13 9/16 x 67 13/32	1344022	1345032
CN2	17 1/16 x 19 21/32	1344002	1345034
CN3	17 1/16 x 31 15/32	1344040	1345036
CN35	17 1/16 x 36 11/32	1344028	1345038
CN4	17 1/16 x 43 17/32	1344042	1345041
CN45	17 1/16 x 48 11/32	1344043	1345042
CN5	17 1/16 x 55 13/32	1344044	1345044
CN55	17 1/16 x 60 11/32	1344045	1345046
CN6	17 1/16 x 67 13/32	1344046	1345048
C2	20 11/16 x 19 21/32	1344004	1345006
C3	20 11/16 x 31 15/32	1344008	1345008
C35	20 11/16 x 36 11/32	1344012	1345040
C4	20 11/16 x 43 17/32	1344016	1345012
C45	20 11/16 x 48 11/32	1344048	1345014
C5	20 11/16 x 55 13/32	1344020	1345016
C55	20 11/16 x 60 11/32	1344050	1345018
C6	20 11/16 x 67 13/32	1344024	1345020
CW2	24 15/16 x 19 19/32	1344007	1345050
CW3	24 15/16 x 31 15/32	1344029	1345052
CW35	24 15/16 x 36 11/32	1344030	1345054
CW4	24 15/16 x 43 17/32	1344034	1345056
CW45	24 15/16 x 48 11/32	1344035	1345058
CW5	24 15/16 x 55 13/32	1344036	1345060
CW55	24 15/16 x 60 11/32	1344037	1345062
CW6	24 15/16 x 67 13/32	1344038	1345064

Insect Screens

Insect Screen Parts							
Insect Screen Warning Label							
		<table border="1"> <thead> <tr> <th style="background-color: #cccccc;">Order No.</th> </tr> </thead> <tbody> <tr> <td>1345005</td> </tr> </tbody> </table>	Order No.	1345005			
Order No.							
1345005							
Insect Screen Strike - Plastic							
		<table border="1"> <thead> <tr> <th style="background-color: #cccccc;">Order No.</th> </tr> </thead> <tbody> <tr> <td>0532902</td> </tr> </tbody> </table>	Order No.	0532902			
Order No.							
0532902							
Insect Screen Wing Blade Lock with Housing (Pair)							
	<table border="1"> <thead> <tr> <th style="background-color: #cccccc;">Description</th> <th style="background-color: #cccccc;">Stone</th> </tr> </thead> <tbody> <tr> <td>1-A-15516</td> <td>N/A</td> </tr> <tr> <td colspan="2"> <p>Note: The originals are difficult to replace. No instructions are provided. Consider a replacement screen instead.</p> </td> </tr> </tbody> </table>	Description	Stone	1-A-15516	N/A	<p>Note: The originals are difficult to replace. No instructions are provided. Consider a replacement screen instead.</p>	
Description	Stone						
1-A-15516	N/A						
<p>Note: The originals are difficult to replace. No instructions are provided. Consider a replacement screen instead.</p>							

Grilles

Interior Grilles - Standard Window / Colonial / 3/4" Wood

Note:

Standard window sizes can use current pattern grilles found in Perma-Shield® Improved/EZ Casement section. Wood grilles replace all vintage grille types (tycote/vinyl).

Interior Grilles - Picture Window / Colonial / 3/4" Wood

Note:

See [Accessory Guide 0005285](#). See [Grille Application Video](#). Grilles include fasteners.

Interior Grille - Standard Window / Colonial / 3/4" / Natural Wood Interior

	Unit No.	Lite Pattern	Dimensions (w x h)	Color/Species		
				Exterior		
				White	Terratone®	Sandtone
				Interior		
				MAPLE		
CP3535	3W x 3H	36 1/2 x 36 3/16	1344562	1445332	0603845	
CP23	4W x 3H	43 21/32 x 31 3/16	1344504	1445304	0603708	
CP235	4W x 3H	43 21/32 x 36 1/16	1344506	1445306	0603710	
CP24	4W x 4H	43 21/32 x 43 1/4	1344508	1445308	0603712	
CP245	4W x 4H	43 21/32 x 48 1/16	1344509	1445309	0603714	
CP25	4W x 5H	43 21/32 x 55 1/8	1344510	1445310	0603716	
CP255	4W x 5H	43 21/32 x 60 1/16	1344511	1445311	0603718	
CP26	4W x 6H	43 21/32 x 67 1/8	1344512	1445312	0603720	
CP305	3W x 5H	31 9/32 x 55 1/8	1344502	1445302	0603704	
CP33	6W x 3H	67 17/32 x 31 3/16	1344516	1445316	0603726	
CP335	6W x 3H	67 17/32 x 36 1/16	1344518	1445318	0603728	
CP34	6W x 4H	67 17/32 x 43 1/4	1344520	1445320	0603730	
CP35	6W x 5H	67 17/32 x 55 1/8	1344522	1445322	0603734	
CP505	5W x 5H	55 17/32 x 55 1/8	1344514	1445314	0603724	

Perma-Shield® Casement Windows (1966 to 1995)

Standard and Picture Windows

Grilles

Interior Grille - Standard Window / Colonial / 3/4" / Prefinished Wood Interior						
	Unit No.	Lite Pattern	Dimensions (w x h)	Exterior		
				White	Terratone®	Sandtone
				Interior		
				White	Terratone®	Sandtone
	CP23	4W x 3H	43 21/32 x 31 3/16	1344404	1445204	0603808
	CP235	4W x 3H	43 21/32 x 36 1/16	1344406	1445206	0603810
	CP24	4W x 4H	43 21/32 x 43 1/4	1344408	1445208	0603812
	CP245	4W x 4H	43 21/32 x 48 1/16	1344409	1445209	0603814
	CP25	4W x 5H	43 21/32 x 55 1/8	1344410	1445210	0603816
	CP255	4W x 5H	43 21/32 x 60 1/16	1344411	1445211	0603818
	CP26	4W x 6H	43 21/32 x 67 1/8	1344412	1445212	0603820
	CP305	3W x 5H	31 9/32 x 55 1/8	1344402	1445202	0603804
	CP33	6W x 3H	67 17/32 x 31 3/16	1344416	1445216	0603826
	CP335	6W x 3H	67 17/32 x 36 1/16	1344418	1445218	0603828
	CP34	6W x 4H	67 17/32 x 43 1/4	1344420	1445220	0603830
	CP35	6W x 5H	67 17/32 x 55 1/8	1344422	1445222	0603834
	CP505	5W x 5H	55 17/32 x 55 1/8	1344414	1445214	0603824

Interior Grille Parts

Note:

Standard pattern grilles use wood grille plungers; custom pattern grilles use wood grille fasteners or notch fasteners.

Interior Grille Fastener - Wood / Non-Standard



Note:

For non-standard pattern grilles for venting and "CP" stationary units. Also used on products with a vinyl lip next to glass.

Order No.

1974312

Interior Grille Fastener - Wood / Plunger



Note:

For standard pattern grilles for venting and stationary units, excluding CP and P units.

Order No.

1344401

Fastener - Grille



Color

Order No.

White

1974310

Terratone®

2601210

Sandtone

8154120

Grille Installation Tool



Order No.

9019326

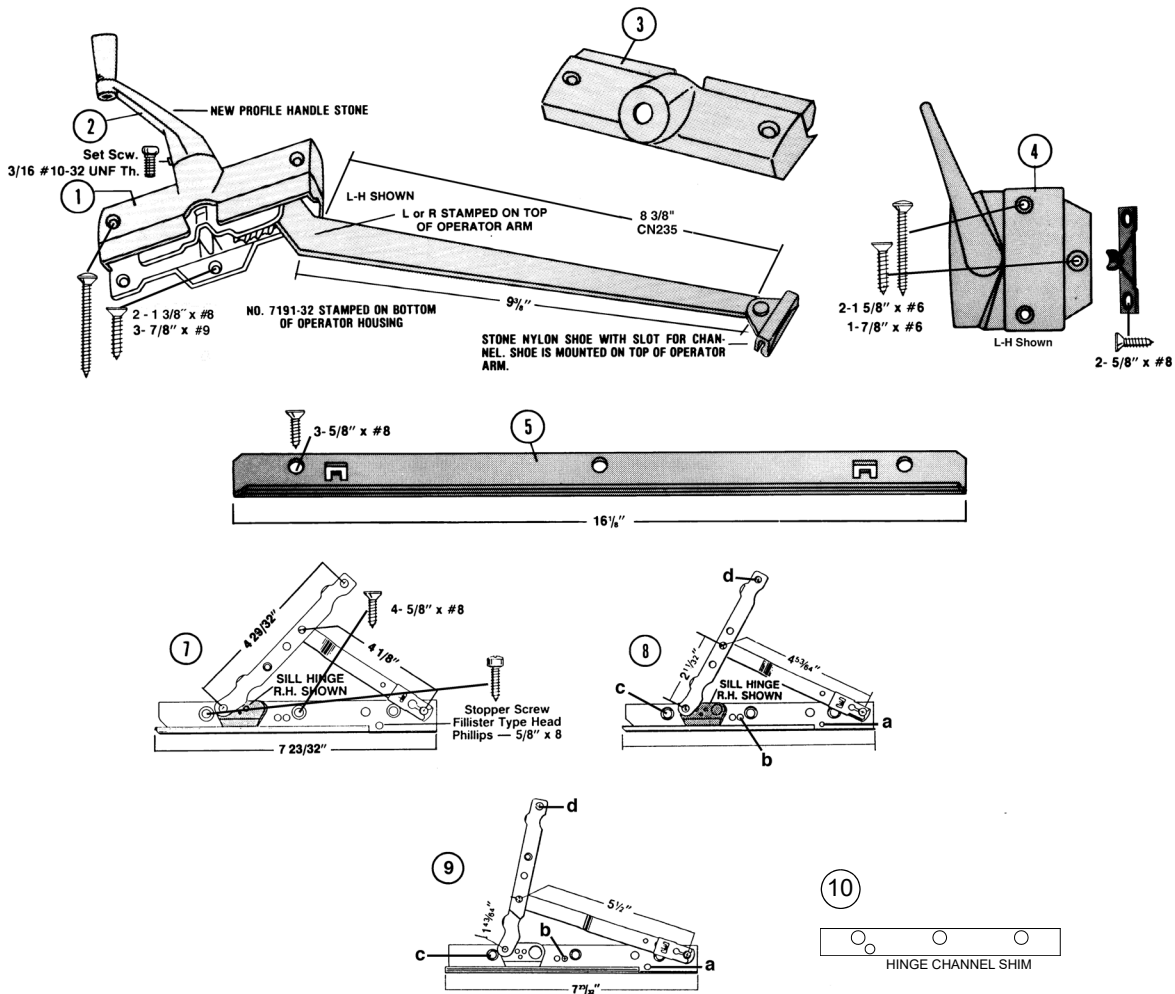
Hardware

Straight Arm Operator and Lock - Amerock / No. 7191-32 (1979 - 1995)

Note:

This operator is used to **replace** the following Amerock Hardware operators used from 1974 - 1979:
 7191 (1974-May 1978)
 7191-2 (May 1978-1979)

The operator number typically is stamped on the back of the operator. Left or right corresponds with the side on which the sash is hinged when viewed from the outside. White hardware uses same operator as stone. Handle must be purchased separately. The 7191-32 straight arm operator has a corrosion resistant finish.



Manufactured May 1978 to 1995

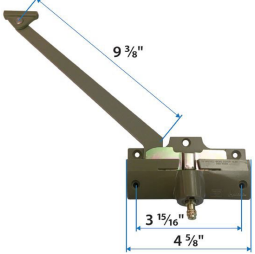
Perma-Shield® Casement Straight Arm Operator and Lock - Amerock / No. 7191-32

Perma-Shield® Casement Windows (1966 to 1995)

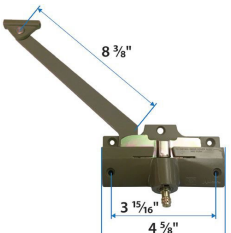
Standard and Picture Windows

Hardware

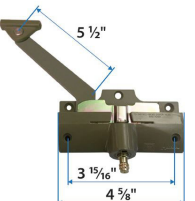
Straight Arm Operator - Amerock / C & CW Series 7191-32 Ref. No. 1 [page 26](#)

	Note: Includes nylon shoe, cover, channel and screws. Order handle separately.	Length	Stone / Corrosion Resistant	
		9 ³ / ₈	Left	Right
			1361308	1361310


Straight Arm Operator - Amerock / CN Series 7191-32 Ref. No. 1 [page 26](#)

	Note: Includes nylon shoe, cover and screws. Order handle separately.	Length	Stone / Corrosion Resistant	
		8 ³ / ₈	Left	Right
			1361312	1361314


Straight Arm Operator - Amerock / CR Series 7191-32/7193 Ref. No. 1 [page 26](#)

	Note: Includes nylon shoe, cover and screws. Order handle separately.	Length	Stone / Corrosion Resistant	
		5 ¹ / ₂	Left	Right
			1361122	1361124

Operator Handle - 7191 Ref. No. 2 [page 26](#)

	Note: Ships with set screw.	Stone		White	
		Left	Right	Left	Right
		0532408		1351332	


Operator Cover - Lexan / Screw Type Ref. No. 3 [page 26](#)

		Stone	White
		0532610	1351330


Screw for Operator Cover - Lexan Ref. illustration [page 26](#)


Note: Replacement for screws shown in illustration.	Description	Stone	White
	8-15 x 1 3/8" typ 17	3251205	1351350

Hardware

Lock - 3 Screw with Keeper and Screws (1979 to 1995) Ref No. 4 page 26					
	Note: See Service Guide 0003004 . C35 heights & shorter use 1 sash lock. C4 heights & taller use 2 sash locks.	Stone		White	
		Left	Right	Left	Right
		1351408	1351410	1351420	1351422

Keeper - Sash Lock Ref No. 4 page 26				
			Stone	White
			1361406	1351340

Straight Arm Operator Channel Ref No. 5 page 26		
	Note: There is no notch in the center. Use as replacement for all widths (CR, CN, C and CW)	Stone
		1361204

Operator Shoe with Rivet	
	Black
	0565912

Perma-Shield® Casement Windows (1966 to 1995)

Standard and Picture Windows

Hardware

Straight Arm Hinges

Straight Arm Hinge with Screws - Sill Ref. No. 7 [page 26](#)

Note:

Replace with current straight arm hinges, 1361349 LH and 1361348 RH. Replace both head and sill hinge. See [Service Guide 0005462](#).

Hinge with Screws - Head Ref. No. 7 [page 26](#)

Note:

This hinge has a natural shoe.

If N/A, replace with current straight arm hinges, 1361351 LH and 1361350 RH, replacing both head and sill hinge. See [Service Guide 0005462](#).

Left

N/A

Right

N/A

Hinge with Screws - 22" Opening / Head Ref. No. 9 [page 26](#)

Note:

If N/A, replace with current straight arm hinges, replacing both head, 1361351 LH or 1361350 RH, and sill, 1361349 LH or 1361348 RH, hinge. See [Service Guide 0005462](#).

Unit No.

CW35

CW4, 5, 6

Left

N/A

N/A

Right

N/A

1361350

Hinge Channel Shim - 1/16" Ref. No. 10 page 26


Order No.

1357608

Hardware

Fasteners - Straight Arm Hardware (1979 - 1995)

Note:

Screw - Stopper Ref. illustration on page 26			
	Description		Order No.
	#8 x 5/8"		1361947
Screw - Hinge Ref. illustration on page 26			
	Description		Order No.
	5/8"		1361937
Screw - Operator Channel Ref. illustration on page 26			
	Description		Order No.
	#8 x 5/8"		N/A
Screw - Operator Ref. illustration on page 26			
	Description		Order No.
	#9 x 7/8" flat head		1361949
	8-15 x 1 3/8" typ 17	White	1351350
	8-15 x 1 3/8" typ 17	Stone	3251205
Screw - Lock Ref. illustration on page 26			
	Description		Order No.
	#6 x 1 5/8"		N/A
	#6 x 7/8"		N/A
			1361962
Screw - Keeper Ref. illustration on page 26			
	Description		Order No.
	#8 x 5/8"		N/A
Screw - Handle Set			
			Order No.
			9066668
Screw - Handle Set Ref. illustration on page 26			
			Order No.
			1351348

Perma-Shield® Casement Windows (1966 to 1995)

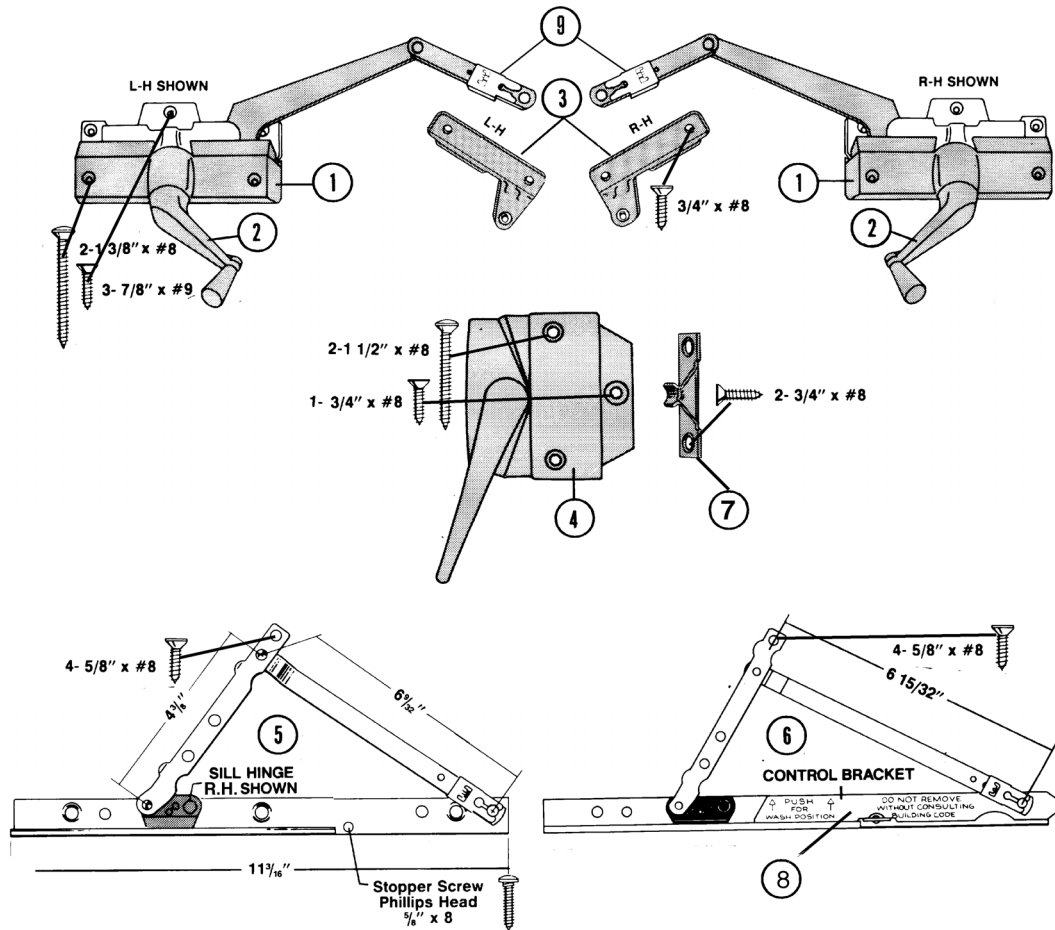
Standard and Picture Windows

Hardware

Split Arm Operator and Lock (1982 - 1995)

Note:

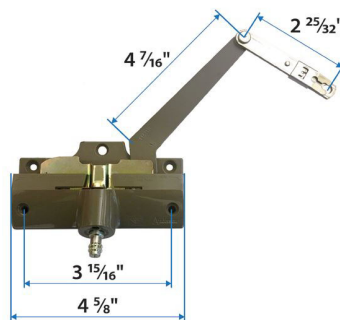
*As of 2/96 hinge shoe colors are almond for head hinge and brown for sill hinge.



Manufactured 1982 to 1995

Perma-Shield® Casement Split Arm Operator and Lock

Split-Arm Operator Picture (1982 to 1995) Ref. No. 1



Hardware

Split Arm Operator with Screws (1982 to 1995) Ref. No. 1 page 31			
	Note: White and stone hardware use the same operator. Handle must be purchased separately. Stone operator comes with the operator cover. If you need a white operator cover, order it separately.	Left	Right
		1361316	1361318

Operator Retaining Clip Ref. No. 9 page 31	
	Stone
	1300001

Handle (1982 to 1995) Ref. No. 2 page 31			
	Note: Ships with set screw .	Stone	White
		0532408	1351332

Split Arm Bracket with Screws (1982 to 1995) Ref. No. 3 page 31				
			Stone/White	
			Left	Right
			1361208	1361210

Lock - 3 Screw with Keeper and Screws (1982 to 1995) Ref. No. 4 page 31					
	Note: See Service Guide 0003004 . C35 heights & shorter use 1 sash lock. C4 heights & taller use 2 sash locks.	Stone		White	
		Left	Right	Left	Right
		1351408	1351410	1351420	1351422

Keeper - Sash Lock Ref. No. 7 page 31				
			Stone	White
			1361406	1351340

Operator Cover - Lexan / Screw Type				
			Stone	White
			0532610	1351330

Perma-Shield® Casement Windows (1966 to 1995)

Standard and Picture Windows

Hardware

Split Arm Hinges

Split Arm Hinge with Screws - Standard / Head

Note:

Replace with current split arm hinges, 1361463 LH and 1361462 RH. Replace both head and sill hinge. See [Service Guide 0005462](#).

Split Arm Hinge with Screws - Standard / Sill

Note:

Replace with current split arm hinges, 1361461 LH and 1361460 RH. Replace both head and sill hinge. See [Service Guide 0005462](#).

Split Arm Hinge with Screws - Head (1982 to 1995) Ref. No. 5 [page 31](#)

	<p>Note: For replacement use current head hinge, 1361463 for left hand and 1361462 for right hand. Replace both head and sill hinge See Service Guide 0005462.</p>	Left	Right
		N/A	N/A

Split Arm Hinge with Screws - Sill / CW Series (1982 to 1995) Ref. No. 6 [page 31](#)

	<p>Note: For replacement use current sill hinge 20 inch opening for CW135 - CW16 products, 1361469 for left hand and 1361468 for right hand. Replace both head and sill hinge. See Service Guide 0005462.</p>	Stainless Steel	
		Left	Right
		N/A	N/A

Split Arm Hinge with Screws - Head / CW Series (1982 to 1995) Ref. No. 6 [page 31](#)

	<p>Note: For replacement use current split arm head hinge, 1361463 for left hand and 1361462 for right hand. Replace both head and sill hinge. See Service Guide 0005462.</p>	Stainless Steel	
		Left	Right
		N/A	N/A

Split Arm Control Bracket - CW Series (1985) Ref. No. 8 [page 31](#)

	<p>Note: For replacement, order current split arm sill hinge and head hinge—20" opening found in Perma-Shield® Improved/EZ Casement section.</p>	Stainless Steel	
		Left	Right
		N/A	N/A

Hardware

Fasteners - Split Arm Hardware (1982 - 1995)

Note:

Screw - Stopper Ref. illustration on [page 31](#)

	Description	Order No.
	#8 x 5/8" Phillips Head	By description

Screw - Hinge Ref. illustration on [page 31](#)

	Description	Order No.
	5/8"	1361937

Screw - Operator

	Description	Order No.
	#9 x 7/8" typ 17	1361949

Screw - Operator Cover (1966 to 1990)

	Description	Stone	White
	8-15 x 1 3/8" typ17	3251205	1351350

Screw - Lock Ref. illustration on [page 31](#)

	Description	Order No.
	#8 x 1 1/2"	By description
	#8 x 3/4"	By description

Screw - Keeper Ref. illustration on [page 31](#)

	Description	Order No.
	#8 x 5/8"	By description

Screw - Keeper (1966 to 1990)

	Description	Order No.
	#8 x 5/8"	1351352

Screw - Handle Set

	Order No.
	9066668

Screw - Handle Set (1966 to 1990)

	Order No.
	1351348

Perma-Shield® Casement Windows (1966 to 1995)

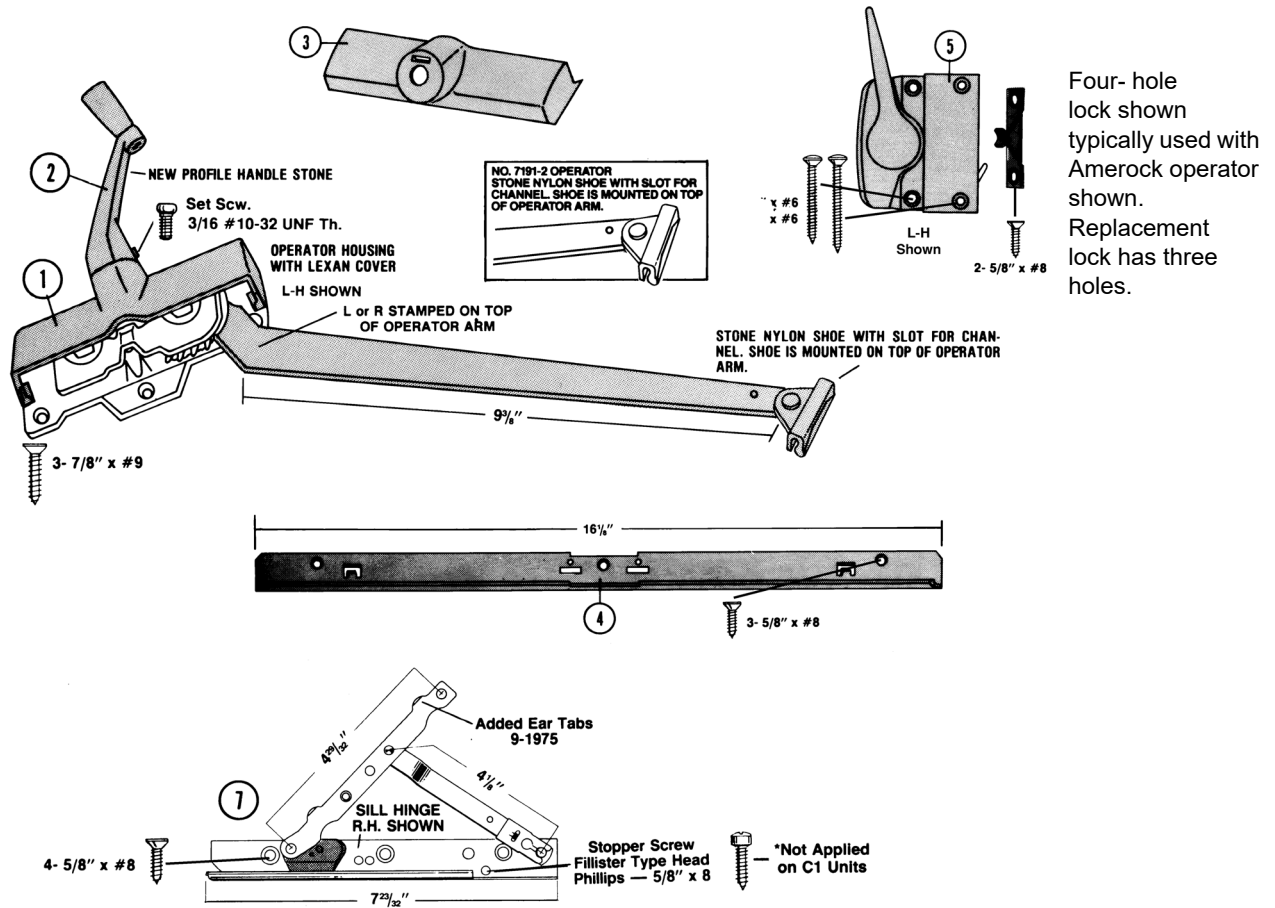
Standard and Picture Windows

Hardware

Straight Arm Operator and Lock - Amerock / No. 7191-2 (June 1978 - 1979)

Note:

Left or right is determined by the side the sash is hinged when viewed from the outside.



Manufactured May 1978 to 1979

Perma-Shield® Casement Straight Arm Operator and Lock - Amerock / No. 7191-2



Straight Arm Operator - Amerock / Lock No. 7191-2 (May 1978 to 1979)

Note:

This operator may be stamped 7198-17 on the back.

To replace the operator or parts not listed below, use operator 7191-32 parts on [page 26](#).

Hardware

Operator Cover - Lexan / Old Style with No Screw Holes Ref. No. 3 page 35			
		Stone	
		0532608	
Lock - 3 screw with Keeper and Screws (1974 to 1982) Ref. No. 5 page 35			
	Note: Four hole lock shown in picture on page 35 . This replacement lock has three holes. See Service Guide 0003004 . C35 heights & shorter use 1 sash lock. C4 heights & taller use 2 sash locks.	Stone	
		Left	Right
		1351408	1351410

Fasteners (June 1978 - 1979)	
Note:	

Screw - Operator Ref. illustration on page 35		
	Description	Order No.
	#9 x 7/8"	1361949
Screw - Operator Channel Ref. illustration on page 35		
	Description	Order No.
	#8 x 5/8"	N/A
Screw - Handle Set Ref. illustration on page 35		
		Order No.
		9066668
Screw - Lock Ref. illustration on page 35		
	Description	Order No.
	#8 x 1 3/8"	N/A
	#8 x 1 5/8"	N/A
Screw - Keeper Ref. illustration on page 35		
	Description	Order No.
	#8 x 5/8"	N/A
Screw - Hinge Ref. illustration on page 35		
	Description	Order No.
	5/8"	1361937
Screw - Hinge Stopper Ref. illustration on page 35		
	Description	Order No.
	#8 x 5/8"	By description

Perma-Shield® Casement Windows (1966 to 1995)

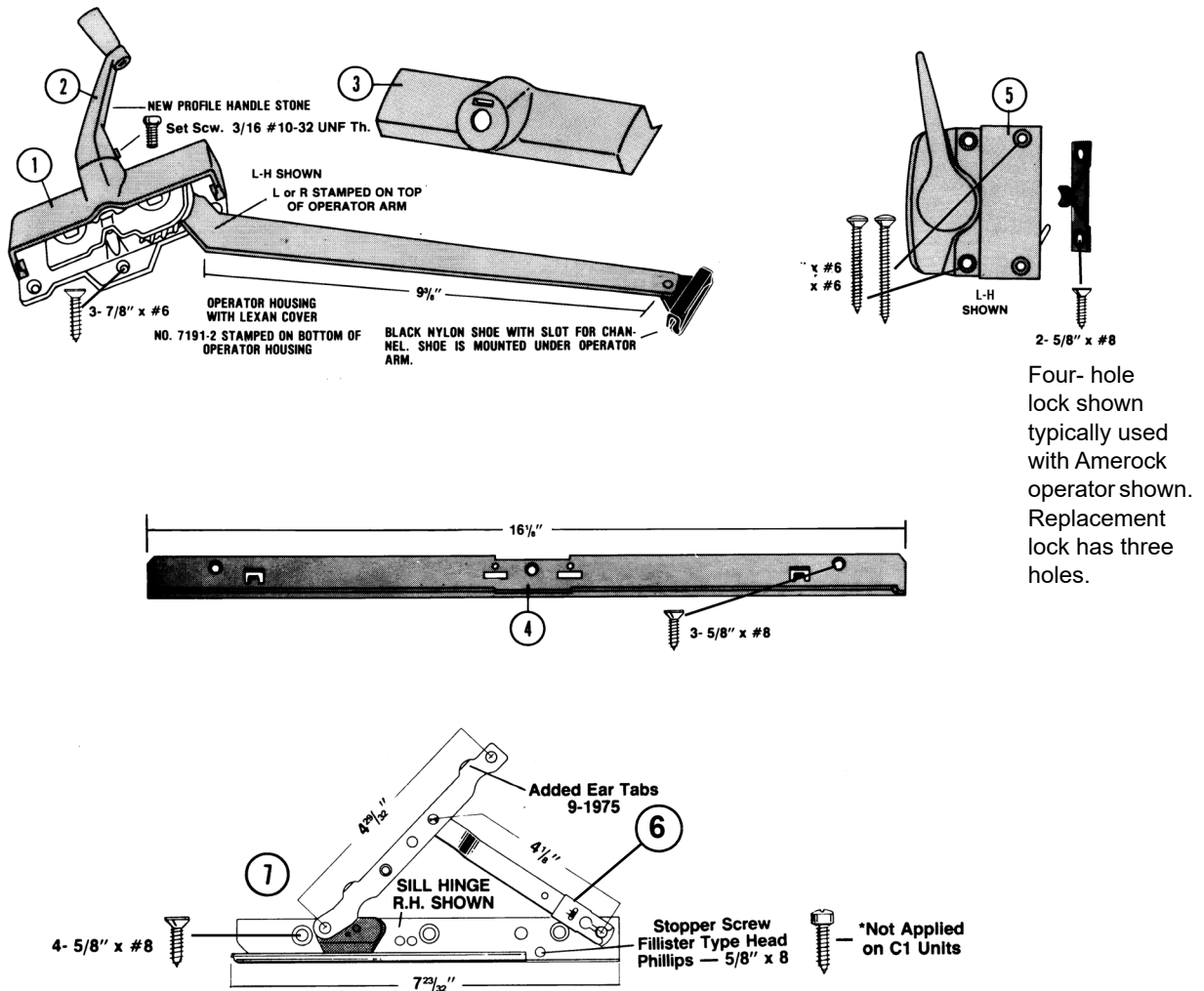
Standard and Picture Windows

Hardware

Straight Arm Operator and Lock - Amerock / No. 7191 (1974 - May 1978)

Note:

Left or right is determined by the side the sash is hinged when viewed from the outside.



Manufactured 1974 to May 1978

Perma-Shield® Casement Straight Arm Operator and Lock - Amerock / No. 7191



Straight Arm Operator and Lock - Amerock / Lock No. 7191 (1974 to May 1978)

Note:

This operator may be stamped 7198-17 on the back.

To replace the operator or parts not listed below, use operator 7191-32 parts on [page 26](#).

Hardware

Operator Cover - Lexan / Old Style with No Screw Holes Ref. No. 3 page 37			
		Stone	
		0532608	
Lock - 3 Screw with Keeper and Screws (1974 to 1980) Ref. No. 5 page 37			
	<p>Note: Four hole lock shown on page 37. This replacement lock has three holes. See Service Guide 0003004.</p> <p>C35 heights & shorter use 1 sash lock. C4 heights & taller use 2 sash locks.</p>	Stone	
		Left	Right
		1351408	1351410
Channel with Screws - Amerock / Lock No. 7191 Ref. No. 4 page 37			
		Stone	
		0565808	

Fasteners (1974 - May 1978)

Note:

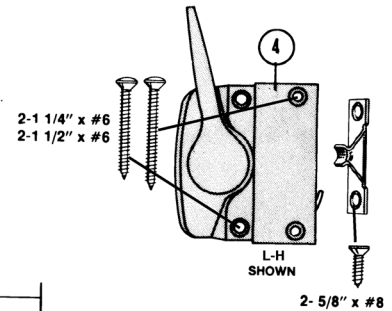
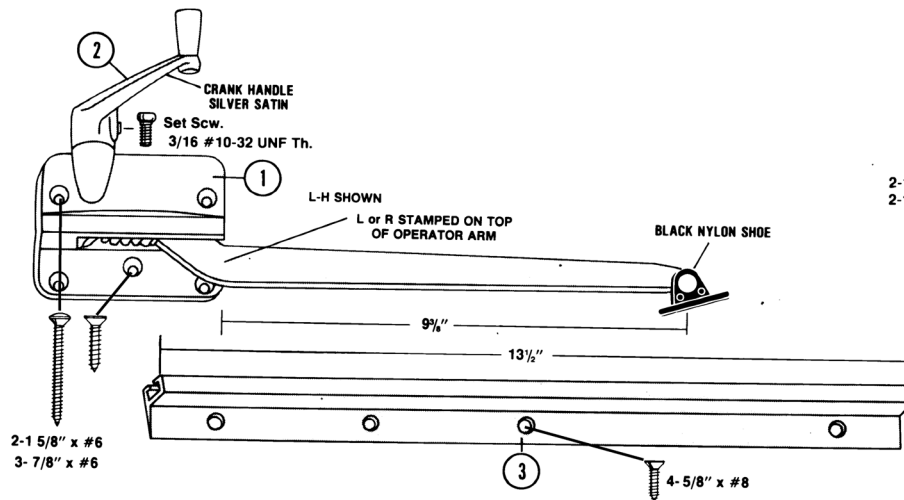
Screw - Operator Ref. illustration on page 37		
	Description	Order No.
	#6 x 7/8"	1361949
Screw - Operator Channel Ref. illustration on page 37		
	Description	Order No.
	#8 x 5/8"	By description
Screw - Lock Ref. illustration on page 37		
	Description	Order No.
	#6 x 1 1/4"	By description
	#6 x 1 1/2"	By description
Screw - Handle Set Ref. illustration on page 37		
		Order No.
		9066668
Screw - Keeper Ref. illustration on page 37		
	Description	Order No.
	#8 x 5/8"	By description
Screw - Hinge Ref. illustration on page 37		
	Description	Order No.
	5/8"	1361937
Screw - Hinge Stopper Ref. illustration on page 37		
	Description	Order No.
	#8 x 5/8"	By description

Perma-Shield® Casement Windows (1966 to 1995)

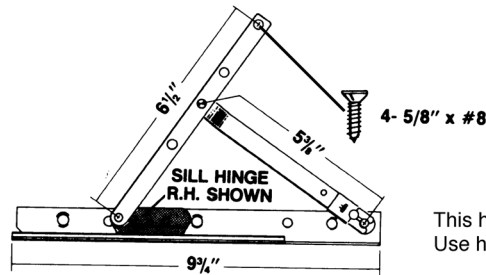
Standard and Picture Windows

Hardware

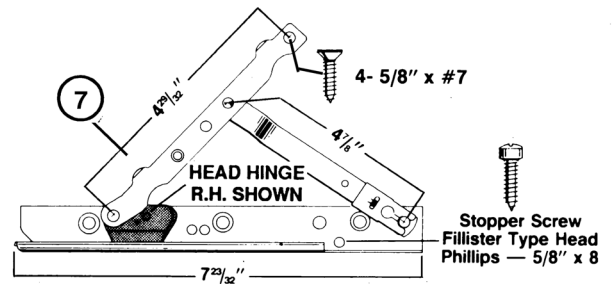
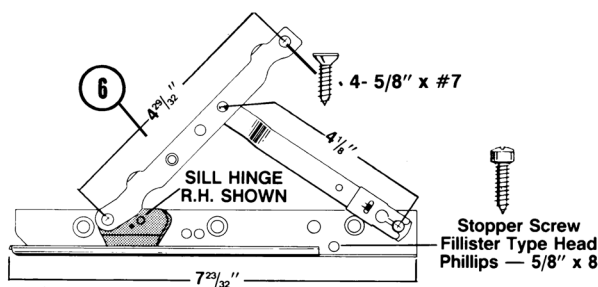
Straight Arm Operator and Lock - Amerock / Lock No. 7095 (1965 - 1974)



Four-hole lock shown typically used with Amerock operator shown. Replacement lock has three holes.




This hinge no longer available. Use head and sill hinge pictured below.



Manufactured 1966 to 1974 Silver Satin

Perma-Shield® Casement Straight Arm Operator and Lock - Amerock / No. 7095

Hardware

Straight Arm Operator and Shoe - Amerock / Lock No. 7095 (1965 to 1974) Ref. No. 1 page 39			
	Note: This operator has a black plastic shoe. Order handle separately.	Silver Satin	
		Left	Right
		1360008	1360012
Handle - Silver Satin Ref. No. 2 page 39			
		Order No.	
		1361008	
Lock - 3 Screw with Keeper and Screws (1974 to 1980) Ref. No. 5 page 39			
	Note: Four hole lock shown on page 39 . This replacement lock has three holes. See Service Guide 0003004 . C35 heights & shorter use 1 sash lock. C4 heights & taller use 2 sash locks.	Stone	
		Left	Right
		1351408	1351410
Operator Channel with Screws Ref. No. 3 page 39			
	Note: Use same channel for left hand and right hand.	Order No.	
		1362008	
Straight Arm Hinge with Screws - Sill and Head (1971 to 1981) Ref. No. 6 page 39			
	Note: This hinge has a black shoe. Both head and sill hinge must be replaced for sash to operate properly. Replace with current straight arm hinges found in the Perma-Shield® Improved/E-Z Casement Windows (1999 to Present) section. See Service Guide 0005462 .		
Split Arm Hinge with Screws - Sill (August 1998 to 1999)			
	Note: Both head and sill hinge must be replaced for sash to operate properly. Replace with current split arm hinges, 1361461 LH and 1361460 RH. See Service Guide 0005462 .		
Hinge with Screws - Head (1971 to 1981) Ref. No. 7 page 39			
	Description	Stainless Steel	
	5/8" x 7"	Left	Right
	Note: This hinge has a black shoe. Replace left hand head hinge with 1361351; right hand hinge with 1361350.	N/A	N/A

Perma-Shield® Casement Windows (1966 to 1995)

Standard and Picture Windows

Hardware

Fasteners (1965 - 1974)

Note:

Screw - Operator Ref. illustration on [page 39](#)

	Description	Order No.
	#6 x 1 5/8"	By description
	#6 x 7/8"	1361949

Screw - Operator Channel Ref. illustration on [page 39](#)

	Description	Order No.
	#8 x 5/8"	N/A

Screw - Lock Ref. illustration on [page 39](#)

	Description	Order No.
	#6 x 1 1/4"	By description
	#6 x 1 1/2"	By description

Screw - Keeper Ref. illustration on [page 39](#)

	Description	Order No.
	#8 x 5/8"	By description

Screw - Handle Set Ref. illustration on [page 39](#)

		Order No.
		9066668

Screw - Hinge Ref. illustration on [page 39](#)

	Description	Order No.
	5/8"	1361937

Screw - Hinge Stopper Ref. illustration on [page 37](#)

	Description	Order No.
	#8 x 5/8"	By description





Hardware

Corrosion Resistant Hardware			
Note: All corrosion resistant hardware is stamped "316".			
Split Arm Operator with Screws - Corrosion Resistant (1982)			
Note: Used from 1982-1995.			
		Stone	
		Left	Right
		1359616	1359618
Keeper - Sash Lock / Corrosion Resistant (1994)			
		Stone	
		1361407	

Perma-Shield® Casement Windows (1966 to 1995)

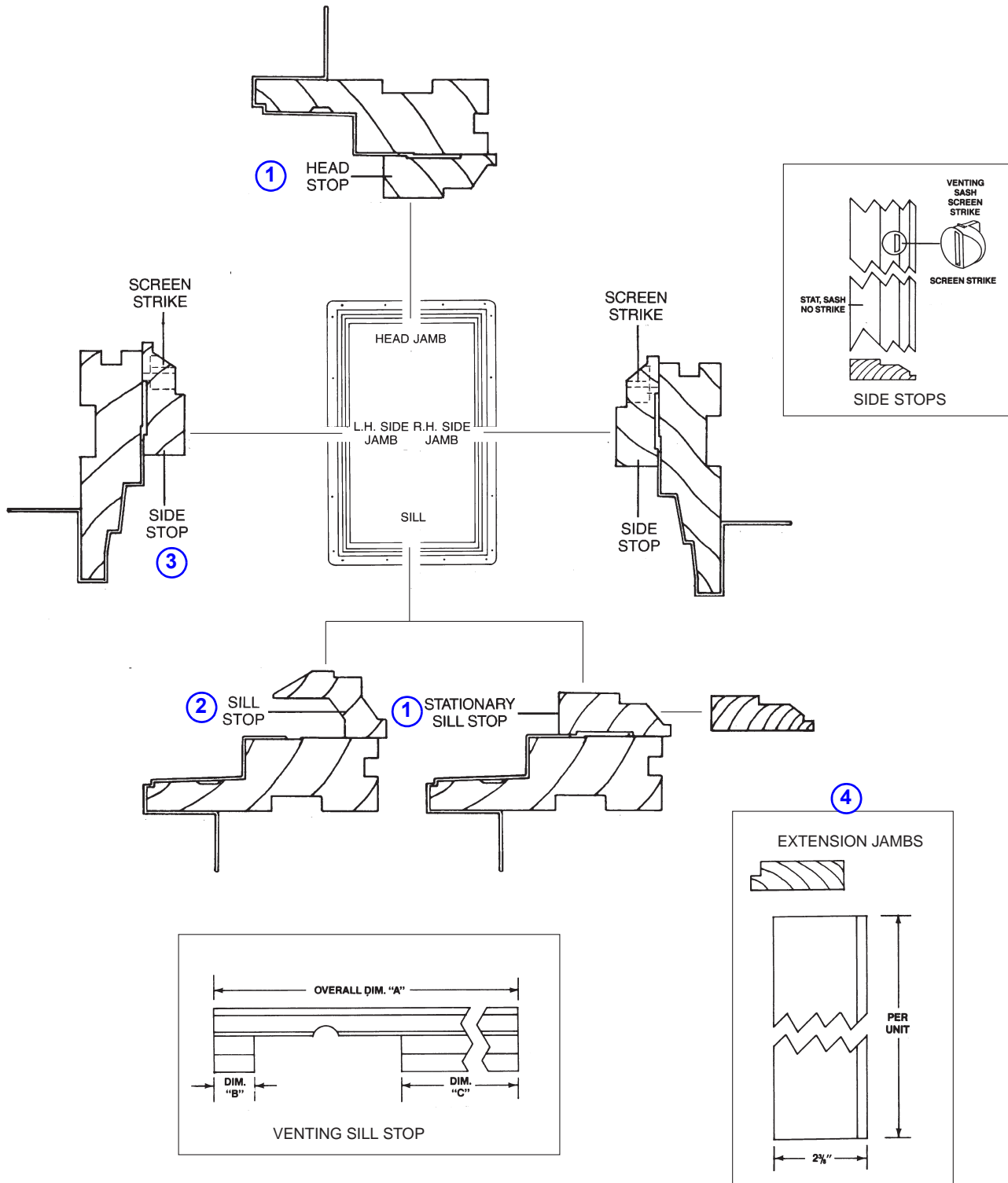
Standard and Picture Windows

Hardware

Miscellaneous Hardware			
Handle - Easy Grip (1974)			
		Color	Order No.
		Stone	1361806
		White	N/A
Handle - Compact			
		Color	Order No.
		Stone	1361804
		White	1351334
Handle - T / Metal			
	Note: See Accessory Guide 0005237 . T-Handle may not rest flush on operator stud.	Color	Order No.
		Stone	1361487
		White	1361488
Spline Cover Package with Screws			
	Note: Spline cover must not be used in egress application.	Color	Order No.
		Stone	1351322
		White	1351336

Frames

Complete Frame Assembly - Standard and Picture Window



Perma-Shield® Casement Frame Assembly

Perma-Shield® Casement Windows (1966 to 1995)

Standard and Picture Windows

Frames

Head & Sill Stops

Stop - Standard Window / Stationary and Venting / Head Ref. No. 1 [page 44](#)

Note: Head stops milled for blinds are not available. Stationary units use this stop for head and sill.	Unit No.	Length	Order No.
	CR1	14 ¹¹ / ₃₂	1351506
	CN1	17 ²⁷ / ₃₂	1351510
	C1	21 ¹⁵ / ₃₂	1351508
	CW1	25 ²³ / ₃₂	1351511

Stop - Picture Window / Head and Sill

Note: Can be used for head or sill stop. Ships as a quantity of one.	Unit No.	Length	Order No.
	CP2	45 ¹¹ / ₃₂	1351512
	CP3	69 ⁷ / ₃₂	1351516
	CP30	33 ⁹ / ₃₂	1351520
	CP35	37 ¹¹ / ₁₆	By description
	CP50	57 ⁷ / ₃₂	1351522

Stop - Standard Window / Split Arm Venting / Sill (1980 to 1995) Ref. No. 2 [page 44](#)

Unit No.	Dimensions			Order No.	
	Overall Length	Short End	Long End	Left	Right
CR1	14 ⁵ / ₁₆	1 ⁵ / ₁₆	8 ⁷ / ₁₆	1352402	1352408
CN1	17 ²⁷ / ₃₂	4 ¹³ / ₁₆	8 ⁷ / ₁₆	1352404	1352410
C1	21 ¹⁷ / ₃₂	8 ⁷ / ₁₆	8 ⁷ / ₁₆	1352406	
CW1	25 ³ / ₄	8 ⁷ / ₁₆	12 ⁵ / ₈	1352405	1352412

Stops - Standard Window / Straight Arm Venting / Sill (1974 to 1995)*

Note:
See drawing 30047 for additional detail.

Unit No.	Dimensions			Order No.	
	Overall Length	Short End	Long End	Left	Right
C1	21 ¹⁷ / ₃₂	2 ¹⁵ / ₁₆	13 ⁷ / ₈	1352108	1352112
CN1	17 ²⁷ / ₃₂	3 ³ / ₄	9 ¹ / ₂	1352308	1352312
CR1	14 ⁵ / ₁₆	3	6 ³ / ₄	1352006	1352010
CW1	25 ³ / ₄	2 ¹⁵ / ₁₆	18 ¹ / ₈	1352007	1352011

Stops - Standard Window / Straight Arm Venting / Sill (1966 to 1974)

Note: Used with Silver Satin straight arm operator.

Unit No.	Dimensions			Silver Satin	
	Overall Length	Short End	Long End	Left	Right
C1	21 ⁷ / ₁₆	6 ³ / ₈	11 ⁵ / ₁₆	1352008	1352012

Frames

Side Stops

Stop - Standard Window / Venting / Hinged Side with Strike (Pair) Ref. No. 3 [page 44](#)

Note:

Ships as a quantity of two: one RH and one LH.

	1	C2	21 ⁹ / ₃₂	1352506
		C3	33 ³ / ₁₆	1352508
	C35	37 ³¹ / ₃₂	1352510	
	2 (Not shown)	C4	45 ⁵ / ₃₂	1352512
		C45	50 ¹ / ₃₂	1352514
		C5	57 ¹ / ₃₂	1352516
		C55	62 ¹ / ₃₂	1352517
	C6	69 ¹ / ₃₂	1352518	

Stop - Standard Window / Lock Side with Strike / Side

Note:

Ships as a quantity of one. Handing determined by location on unit as viewed from the exterior.

	No. of Locks	Unit No.	Upper (LH & RH)		Lower		
			Length	Order No.	Length	Left	Right
Upper Lower	1	C2	9 ¹ / ₄	1352605	9 ¹ / ₄	1352601	1352615
		C3	15 ⁵ / ₃₂	1352606	15 ⁵ / ₃₂	1352602	1352616
		C35	17 ¹⁹ / ₃₂	1352608	17 ¹⁹ / ₃₂	1352604	1352618
	No. of Locks	Unit No.	Upper & Lower (Need 2)		Center		
			Length	Order No.	Length	Left	Right
Upper Center Lower	2	C4	9 ¹⁵ / ₁₆	1352610	19 ³ / ₄	1352620	1352626
		C45	11 ¹ / ₈	1352611	22 ³ / ₁₆	1352621	1352627
		C5	12 ⁷ / ₈	1352612	26 ⁵ / ₈	1352622	1352628
		C55	13 ¹¹ / ₁₆	1352613	29 ¹ / ₈	1352623	1352629
		C6	14 ⁵ / ₈	1352614	33 ⁵ / ₈	1352624	1352630

Stop - Standard and Picture Window / Stationary / No Strike / Side (Pair)

Note:

C2/CP2/A2 ships as a quantity of one. All other sizes ship as a quantity of two.

	Unit No.	Length	Order No.
	C2/CP2/A2	21 ⁹ / ₃₂	8025001
	C3/CP3	33 ³ / ₁₆	1352520
	C35/CP35	37 ³¹ / ₃₂	1352522
	C4/CP4	45 ⁵ / ₃₂	1352524
	C45/CP45	50 ¹ / ₃₂	1352526
	C5/CP5	57 ¹ / ₃₂	1352528
	C55/CP55	62 ¹ / ₃₂	1352530
	C6/CP6	69 ¹ / ₃₂	1352532

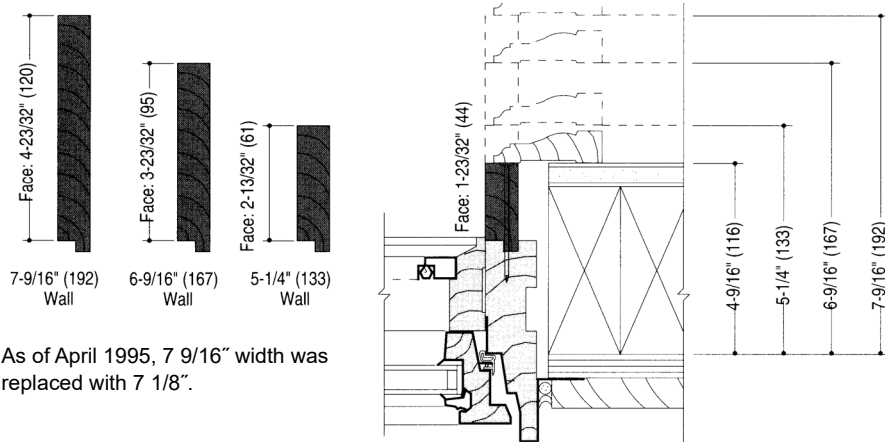
Extension Jambs

Note:

As of April 1995, 7 9/16" width was replaced with 7 1/8".

Graphic shown for identification purposes. Replacements are current extension jambs shown Perma-Shield® Improved/EZ Casement section.

See [Accessory Guide 0005255](#).



Perma-Shield® Casement Extension Jambs

Auxiliary Extension Jambs

Note:

Replacement auxiliary extension jambs are not available.

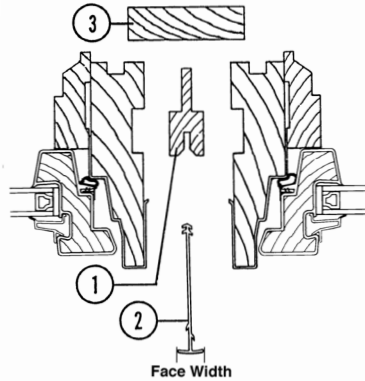
Complete Blinds and Blind Parts

Note:

Complete blinds and blind parts are not available.

Joining Components

Narrow Mullion



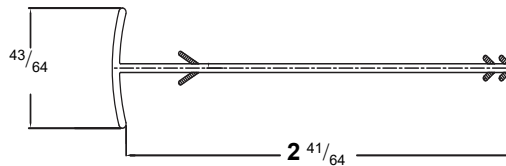
- 1. Joining Strip
- 2. Exterior Vinyl Trim Strip
- 3. [Interior Casing 2 3/8" Face](#)

Perma-Shield® Casement Narrow Mullion

Joining Strip - Narrow Mullion (2 Piece) Ref. No 1

Unit No.	Order No.	Unit No.	Order No.
C2	1506420	C45	1347014
C25	1506422	C5	1347016
C3	1347008	C55	1347018
C35	1347010	C6	1506424
C4	1347012		

Exterior Trim Strip - Narrow Mullion / 3/4" / Vinyl Ref. No 2



Unit No.	Length	White	Terratone®	Sandtone
C2/C	24 1/16	1506820	2106820	0607202
C25/CW2	28 5/16	1506822	2106822	0638506
C3	35 7/8	1348008	1448008	0607204
C35	40 3/4	1348010	1448010	0607206
C4	47 15/16	1348012	1448012	0607208
C45	52 3/4	1348014	1448014	0607210
C5	59 13/16	1348016	1448016	0607212
C55	64 3/4	1348018	1448018	0607214
C6	71 13/16	1506824	2106824	0607216
8 ft	96	N/A	N/A	N/A
12 ft	144	1348520	1448520	0607234

Perma-Shield® Casement Windows (1966 to 1995)

Standard and Picture Windows

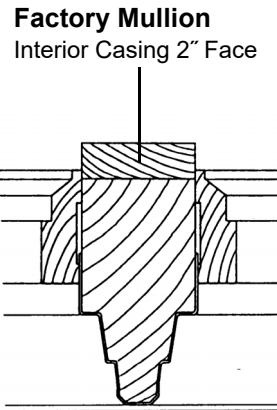
Joining Components

Interior Casing - Narrow Mullion / Natural Wood Ref. No 3 page 48				
Unit No.	Length	2 3/8" Awning/ Casement	2 5/8" Casement/ Flexiframe	2 7/8" Flexiframe/ Flexiframe
CR	14 23/32	1507632	8154121	1507604
CN	18 7/32	1507631	8154122	1507606
C2/C	21 27/32	1349006	1506920	1507608
C25/CW2	26 3/32	1389520	1386804	1507620
C3	33 21/32	1349008	1349030	1349037
C35	38 17/32	1349010	1349031	1349038
C4	45 23/32	1349012	1349032	1349039
C45	50 17/32	1349014	1349033	1349040
C5	57 19/32	1349016	1349034	1349041
C55	62 17/32	1349018	1349035	1349042
C6	69 19/32	1349020	1349036	1349043
8 ft	96	1349022	1386812	1507622
12 ft	144	1349024	1386814	1507624

Exterior Flashing - Narrow Mullion				
	Width	White	Terratone®	Sandtone
	6"	1356008	1456008	0608402
Gusset Plate - Narrow Mullion / Head and Sill				Order No.
				1359508

Joining Components

Factory Mullion



Perma-Shield® Casement Factory Mullion

Interior Casing - Factory Mullion / 2" Natural Wood

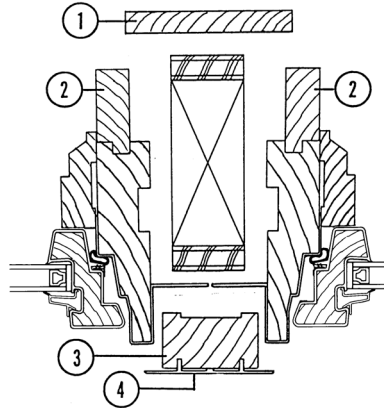
Unit No.	Dimensions	Order No.
C3	33 ²¹ / ₃₂	1389510
C35	38 ¹⁷ / ₃₂	8025502
C4	45 ²³ / ₃₂	8202303
C45	50 ¹⁷ / ₃₂	8025504
C5	57 ¹⁹ / ₃₂	8025505
C55	62 ¹⁷ / ₃₂	8025506
C6	69 ¹⁹ / ₃₂	8202305

Perma-Shield® Casement Windows (1966 to 1995)

Standard and Picture Windows

Joining Components

Support Mullion



1. Interior Casing (supplied by others)
2. [Extension Jamb](#)
3. [Support Mull Filler](#)
4. [Exterior Vinyl Trim Strip](#)

**Exterior Head Flashing not shown

Perma-Shield® Casement Support Mullion

Joining Kit - Support Mullion

Kit Includes:

Support mullion filler strip, support mullion flashing, support mullion trim strip

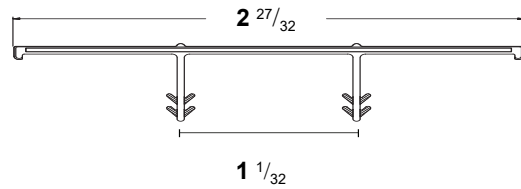
Unit No.	White	Terratone®	Sandtone
C3	1348708	1448708	0607404
C35	1348710	1448712	0607406
C4	1348712	1448716	0607408
C45	1348714	1448718	0607410
C5	1348716	1448720	0607412
C55	1348718	1448722	0607414
C6	1348720	1448724	0607416

Filler - Support Mullion Ref. No 3

Unit No.	Dimensions	Order No.
C3	35 ¹³ / ₁₆	8015603
C35	40 ¹¹ / ₁₆	8015604
C4	47 ⁷ / ₈	8015605
C45	52 ¹¹ / ₁₆	8015606
C5	59 ³ / ₄	8015607
C55	64 ¹¹ / ₁₆	8015608
C6	71 ³ / ₄	8015609
72 inch	72	1348812

Joining Components

Exterior Trim Strip - Support Mullion / Vinyl Ref. No 4 [page 51](#)



Note:

If a part number is not provided, use longer length trim strip and cut to size or order specific length by description.

Unit No.	Dimensions	White	Terratone®	Sandtone
C2	24 ¹ / ₁₆	8015503	8015504	8015505
C25	28 ⁵ / ₁₆	8015506	8015507	8015508
C3	35 ⁷ / ₈	8015509	1449008	0611004
C35	40 ³ / ₄	8015510	1449012	0611006
C4	47 ¹⁵ / ₁₆	8015511	1449016	0611008
C45	52 ³ / ₄	8015512	8015513	0611010
C5	59 ¹³ / ₁₆	8015514	1449020	0611012
C55	64 ³ / ₄	8015515	8015516	0611014
C6	71 ¹³ / ₁₆	8015517	1449024	0611016
144 in	144	1348620	1448620	0611034

Exterior Flashing - Support Mullion

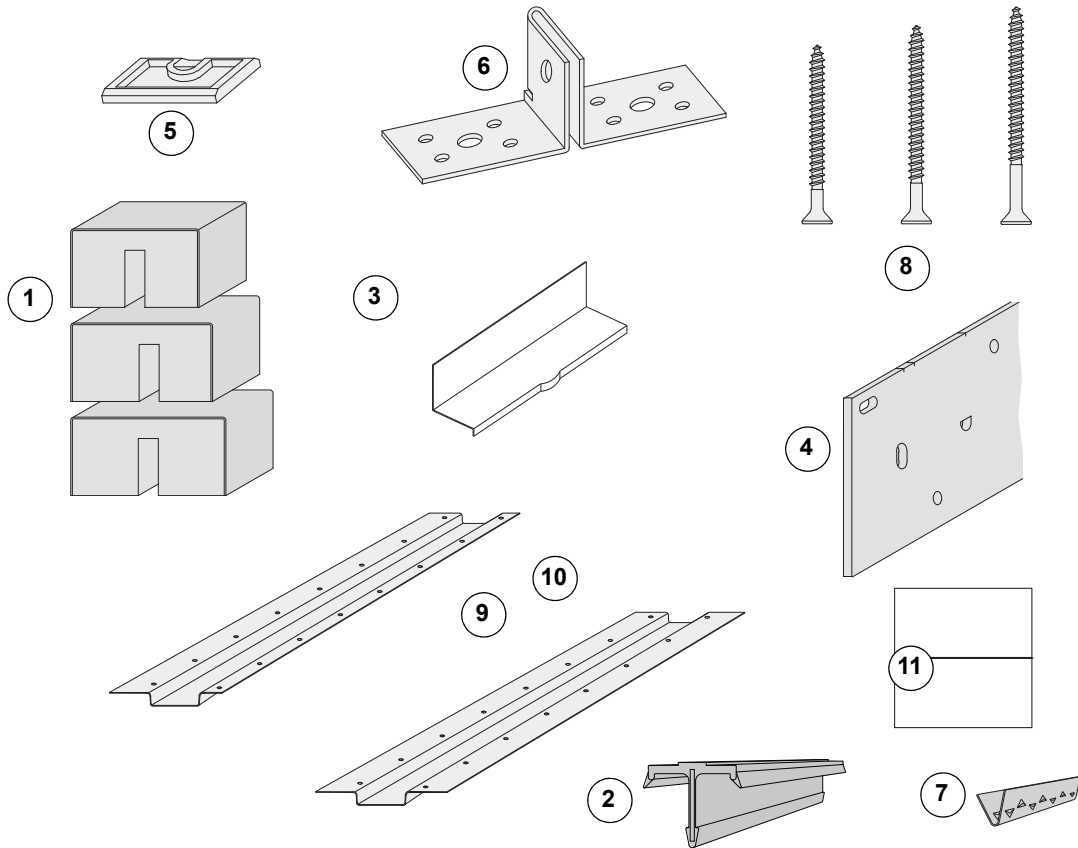
	Width	White	Terratone®	Sandtone
	6"	1356012	1456012	0608404

Joining Components

Reinforced Mull Joining Components - Steel

Notes:

See [Joining Guide 0005172](#)



**Steel Reinforced Narrow Mullion
for Casement, Awning, Specialty, and Circle Top™ Windows**

IMPORTANCE OF PROPER SELECTION:

It is essential that you select the proper joining members for Andersen windows. Andersen strongly recommends consultation with an experienced structural engineer, contractor, architect or your local Andersen window supplier prior to the installation of any Andersen product. Installation of Andersen products is the sole responsibility of the architect, building owner, contractor, and/or consumer, and Andersen has no responsibility in this regard. For more information about joining materials, please see the Andersen Residential Product Guide, the Andersen Commercial Catalog, or the Andersen Architectural Detail File.

Joining Components

Inside Casing Ref. No. 1 page 53					
	Species/Color	Length	2 3/8"	2 5/8"	2 15/16"
	Pine	96"	2340602	2340606	2340614
	White		2340617	2340619	2340621
	Pine	144"	2340604	2340608	2340616
	White		2340618	2340620	2340622

Exterior Trim Strip - Reinforced Mull Ref. No. 2 page 53						
	Length	White	Terratone®	Sandtone	Forest Green	Canvas
	96"	2340504	2340508	2340512	2340528	9043184
	150"	2340502	2340506	2340510	2340526	9043183

Exterior Narrow Mull Flashing Ref. No. 3 page 53						
	Length	White	Terratone®	Sandtone	Forest Green	Canvas
	6"	1356008	1456008	0608402	0514129	-

Joining Strip - Steel Reinforced Mullion Ref. No. 4 page 53						
				Unit Size	Order No.	
					96 1/4"	2340406
					114"	2340408
					150"	2340410


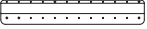
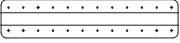
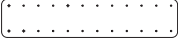

End Bracket Kit - Steel Reinforced Mullion / PSC/A/CT/FF Ref. No. 5 to 8 page 53		
	Includes: Instruction Sheet, Trim Strip Clips, Screw Packages RMA1, RMB1, RMC1, Location Blocks and 2 - End brackets.	Order No.
		2340414

End Bracket - Steel Reinforced Mullion Ref. No. 6 page 53	
	Order No.
	2340424

Perma-Shield® Casement Windows (1966 to 1995)

Standard and Picture Windows

Joining Components

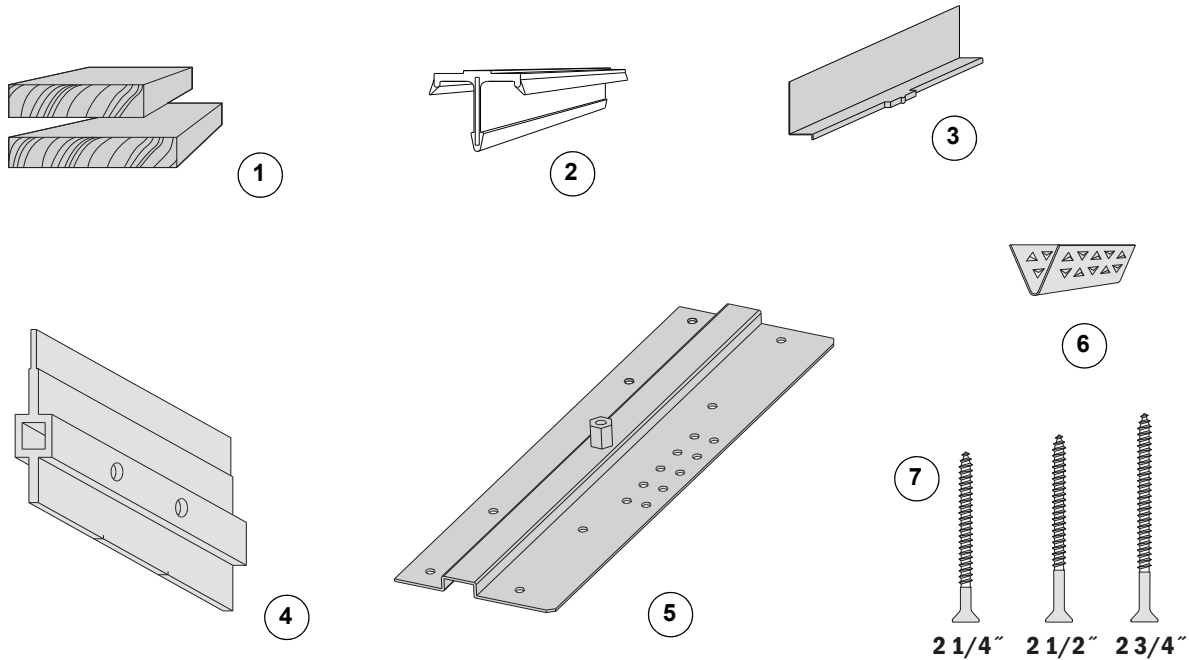
Clip - Trim Strip / Reinforced Mullion Ref. No. 7 page 53		
		Order No. 2340423
Gusset Plate Kit - Steel Reinforced Mullion / ET Ref. No. 11, 5, and 7 page 53		
	Includes: Gussets, Location locks, and Screw packages: RMA-2, RMB-2, RMC-2.	Order No. 2340416
Gusset Plate - Metal / PS/FF Ref. No. 9 page 53		
		Order No. 2250208
Gusset Plate - Head and Sill Ref. No. 10 page 53		
		Order No. 1359508
Gusset Plate - CTC/CTN/ET/DH		
		Order No. 1359510
Flange Gasket - Mull Ref. No 11 page 53		
	Note: Used over flange.	Order No. 9122508

Joining Components

Reinforced Mull Joining Components - Aluminum

Notes:

See [Joining Guide 0005165](#)



**Aluminum Reinforced Narrow Mullion
for Casement, Awning, Specialty, and Circle Top™ Windows**

Inside Casing - Aluminum Reinforced Mullion Ref. No. 1

	Length	2 3/8"	2 5/8"	2 7/8"
		Casement to Casement	Casement to Flexiframe	Flexiframe to Flexiframe
	96"	1349022	1386812	1507622
	144"	1349024	1386814	1507624

Exterior Trim Strip - Reinforced Mullion Ref. No. 2

Unit Size	White	Terratone®	Sandtone	Forest Green	Canvas
96"	2340504	2340508	2340512	2340528	9043184
150"	2340502	2340506	2340510	2340526	9043183

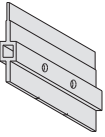
Exterior Flashing Ref. No. 3

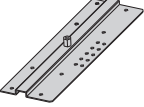
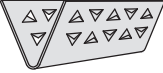
Length	White	Terratone®	Sandtone	Forest Green	Canvas
6"	1356008	1456008	0608402	0514129	9033568

Perma-Shield® Casement Windows (1966 to 1995)

Standard and Picture Windows

Joining Components

Joining Strip - Reinforced Mullion Ref. No. 4			
		Unit Size	Order No.
		72 ³ / ₃₂ "	2340402
		92"	2340404

End Plate Kit - Reinforced Mullion / PSC/A/CT/FF Ref. No. 5, 6, and 7 page 56			
	Includes: End plates, trim strip clip, and screws		Order No.
			2340412
End Plate - Reinforced Mullion Ref. No. 5 page 56			
			Order No.
			2340422
Trim Clip - Reinforced Mullion Ref. No. 6 page 56			
			Order No.
			2340423

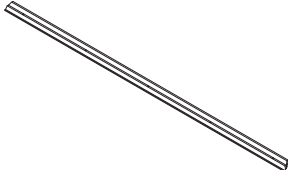
Art Glass Components

Note:

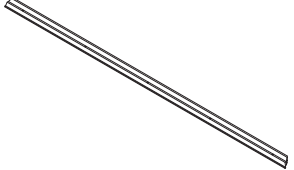
Information about ordering replacement art glass panels can be found in the Andersen® Art Glass section of the catalog.

Art Glass Trim Stops

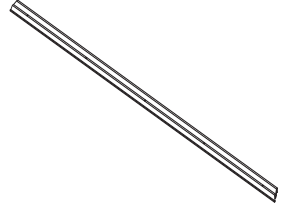
Trim Stop - Art Glass / Venting / Hinge Side (1966 to 1995)

	Unit No.	Length	Left	Right
	AG C2	19 ²³ / ₃₂	2370351	2370365
	AG C3	31 ¹⁷ / ₃₂	2370352	2370366
	AG C35	36 ¹³ / ₃₂	2370353	2370367
	AG C4	43 ¹⁹ / ₃₂	2370354	2370368
	AG C45	47 ³ / ₈	2370355	2370369
	AG C5	54 ¹⁵ / ₁₆	2370356	2370370
	AG C55	59 ³ / ₈	2370357	2370371
	AG C6	66 ¹⁵ / ₁₆	2370358	2370372

Trim Stop - Art Glass / Venting / Lock Side (1966 to 1995)

	Unit No.	Length	Left	Right
	AG C2	19 ³ / ₁₆	2370291	2370311
	AG C3	30 ¹⁵ / ₁₆	2370292	2370312
	AG C35	35 ³ / ₈	2370293	2370313
	AG C4	43 ¹ / ₁₆	2370294	2370314
	AG C45	47 ³ / ₈	2370295	2370315
	AG C5	54 ¹⁵ / ₁₆	2370296	2370316
	AG C55	59 ³ / ₈	2370297	2370317
	AG C6	66 ¹⁵ / ₁₆	2370298	2370318

Trim Stop - Art Glass / Stationary / Side (1966 to 1995)

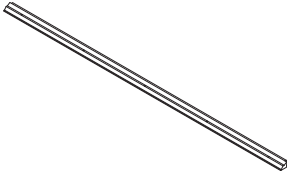
	Unit No.	Length	Order No.
	AG C2	19 ³ / ₄	2370271
	AG C3	31 ¹ / ₂	2370272
	AG C35	36 ⁷ / ₁₆	2370273
	AG C4	43 ⁵ / ₈	2370274
	AG C45	48 ³ / ₁₆	2370275
	AG C5	55 ¹ / ₂	2370276
	AG C55	60 ³ / ₁₆	2370277
AG C6	67 ¹ / ₂	2370278	

Perma-Shield® Casement Windows (1966 to 1995)

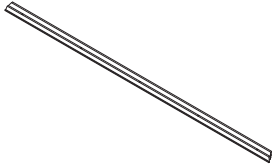
Standard and Picture Windows

Art Glass Components

Trim Stop - Art Glass / Head and Sill (1966 to 1995)

		Unit No.	Length	Order No.
		AG CR1	13 1/4	2370251
		AG CN1	16 3/4	2370252
		AG C1	20 3/8	2370253
		AG CW1	24 5/8	2370254
		AG CP30	31 3/16	2370255
		AG CP2	36 15/16	2370256
	AG CP3	44 1/4	2370257	

Trim Stop - Art Glass / Venting / Sill (1966 to 1995)

		Unit No.	Length	Order No.
		AG CR1	13 1/4	2370331
		AG CN1	16 3/4	2370332
		AG C1	20 3/8	2370333
	AG CW1	24 5/8	2370334	

Art Glass Hardware

Bracket - Standard / Top Only with Screws

	Package Includes: (2) Upper Brackets Fasteners See Accessory Guide 0005169 .	Order No. 2370024
--	--	-----------------------------

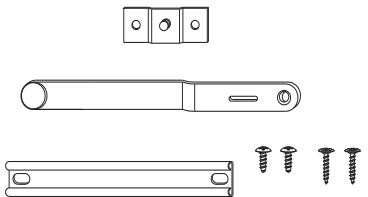
Screw Package - Head

	Description	Order No.
	Brass / Oval / AG 1 x 5 STD	2370026

Bracket Package - Standard / Top and Bottom

	Package Includes: (2) Upper Brackets (2) Lower Brackets Shims Fasteners See Accessory Guide 0005169 .	Panel Size	Qty. needed	Order No. 2370020
		5" - 36"	1	
		37" - 60"	2	
		61" - 70"	3	

Sash Support Hardware Kit - Universal

	Note: The sash support hardware adaptor allows a 4 1/2" to 5" opening. The adaptor can also be used for wind control and venting without art glass.	Left	Right
		2370513	2370512

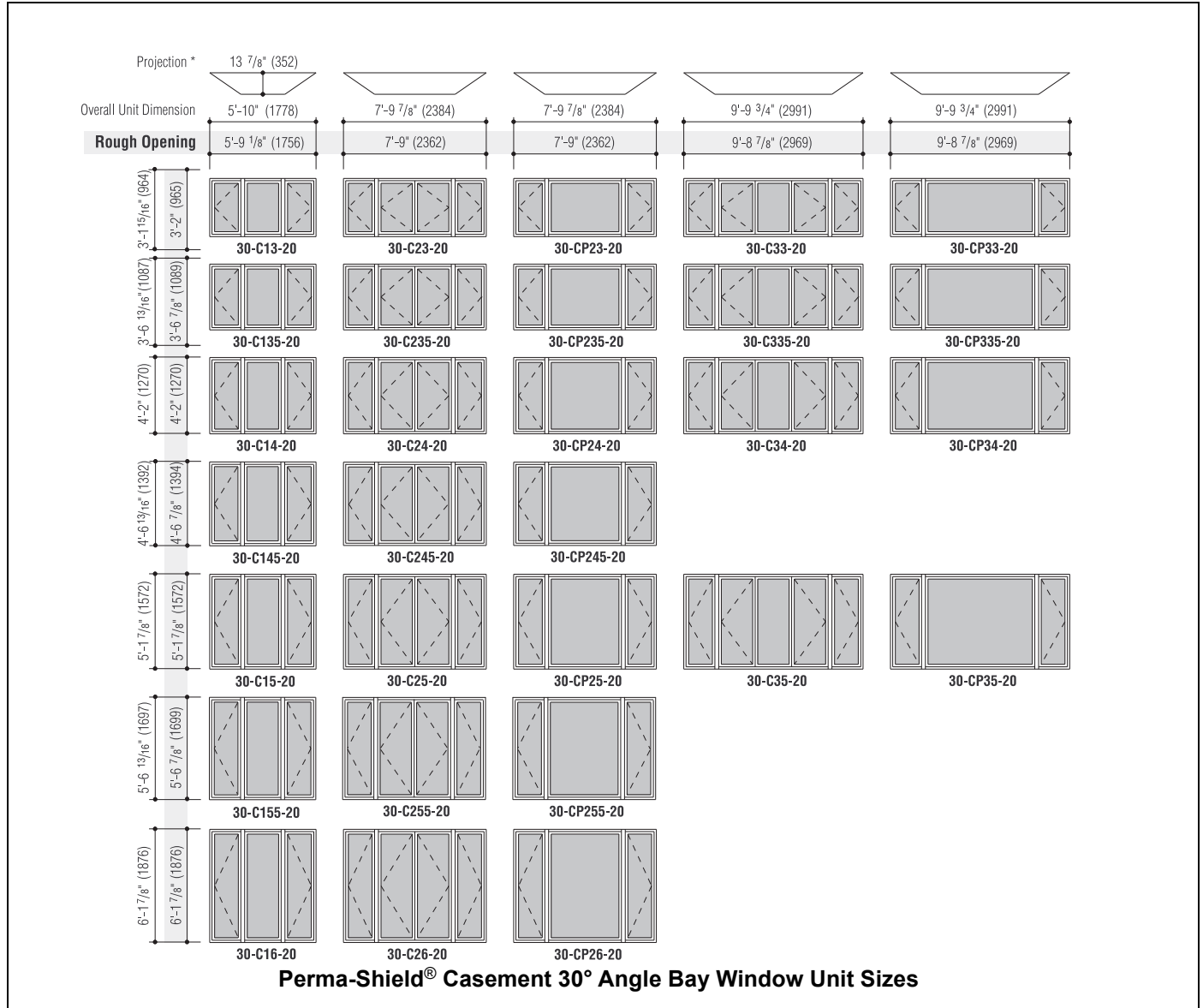
Art Glass Components

Angle Bay Windows

Unit Sizes

Note:

Angle Bay Windows are assembled with multiple Casement Windows. Look in the Basic and Picture Casement Window pages of this catalog for most replacement parts. Angle Bay units use specially designed mullion posts, side flanges, and head/seat boards. Replacements for these and other special Angle Bay parts are listed on the following pages.



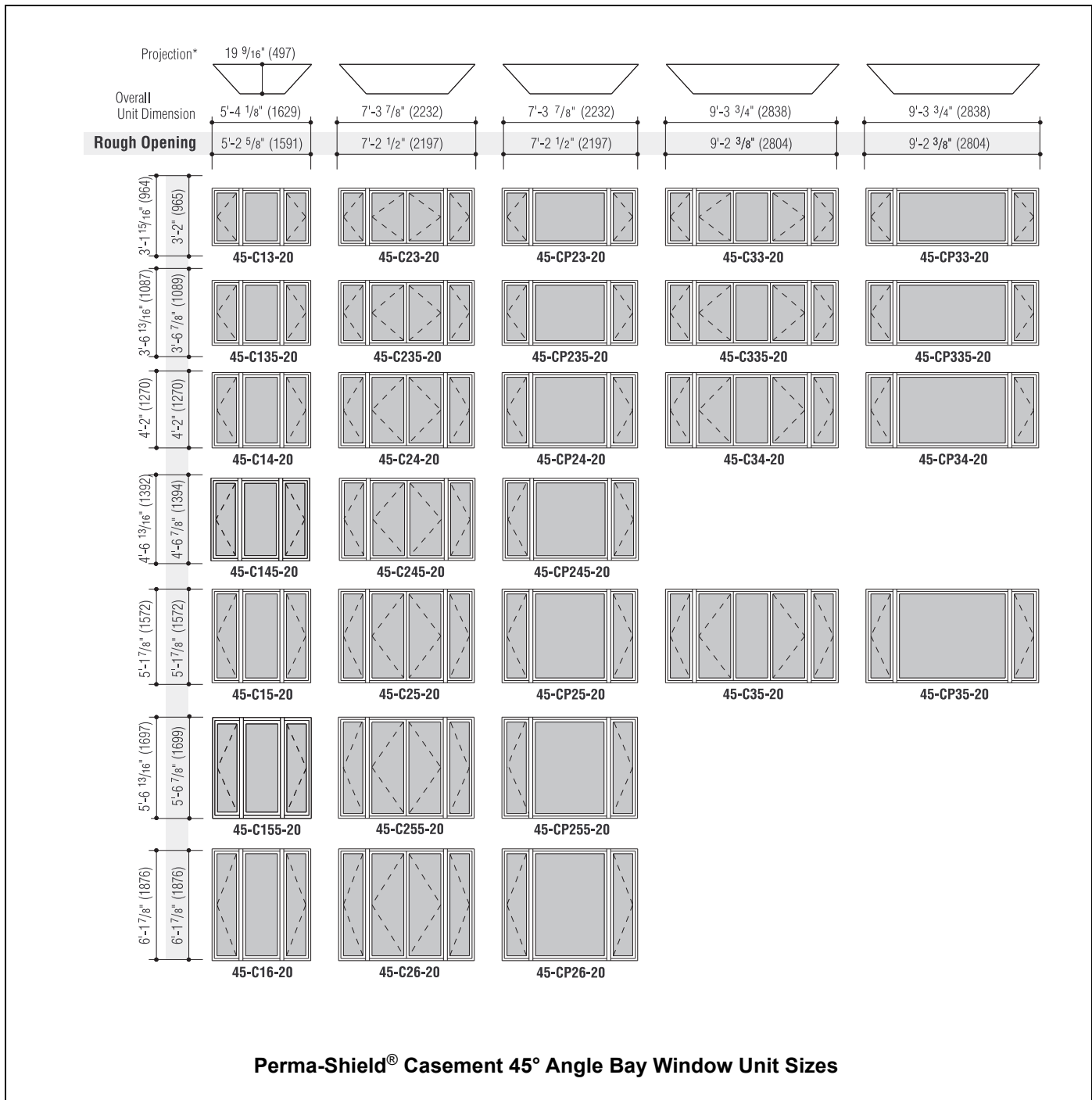
Unit viewed from exterior.



Note:

Single sash indicates hinging left, right or stationary. Handing is viewed from exterior. Unit Dimension refers to overall outside-to-outside frame. Unobstructed Glass refers to visible glass dimensions. Numbers in parentheses are metric measurements.

Unit Sizes



Perma-Shield® Casement 45° Angle Bay Window Unit Sizes

Unit viewed from exterior.

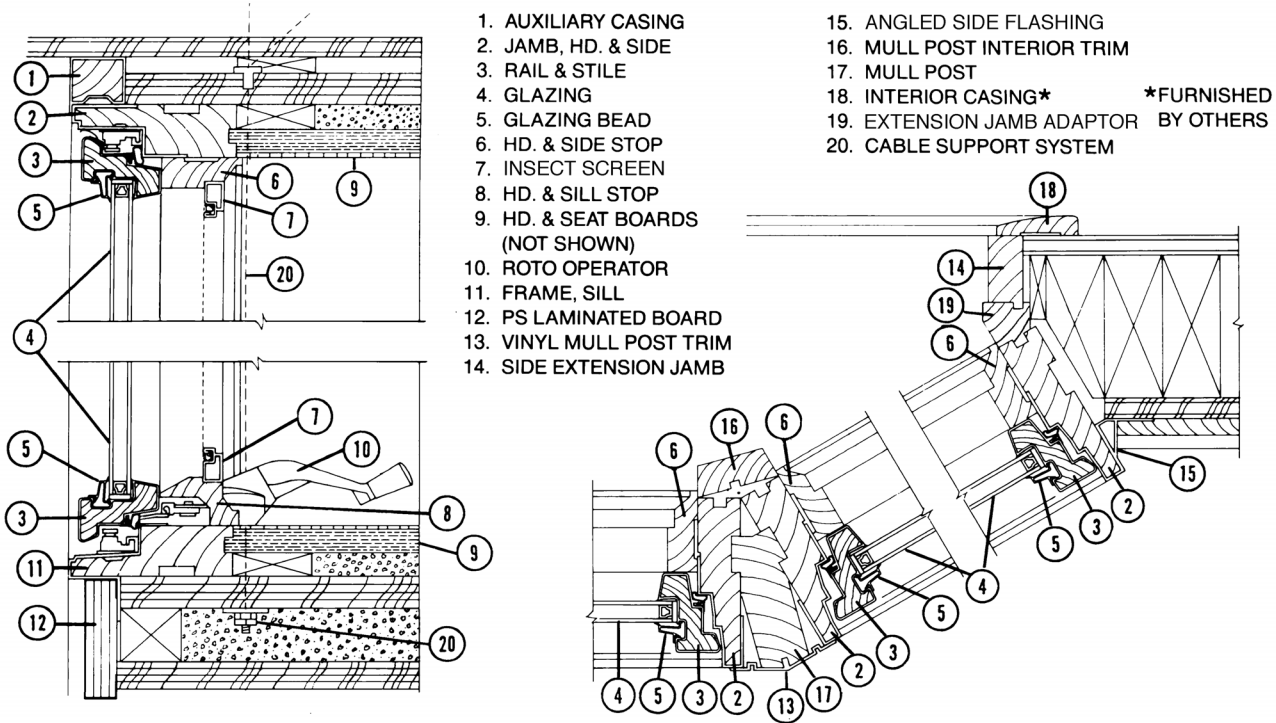


Note:

Single sash indicates hinging left, right or stationary. Handing is viewed from exterior. Unit Dimension refers to overall outside-to-outside frame. Unobstructed Glass refers to visible glass dimensions. Numbers in parentheses are metric measurements.

Angle Bay Parts

Joining Components - Angle Bay



Perma-Shield® Casement 30° and 45° Angle Bay Window Profiles

Joining Kit - Angle Bay / 30°

Note:
Vinyl mull post trim strips located in Service Replacement section on [page 81](#).

Unit No.	White	Terratone®	Sandtone
C3	1348728	1448732	0607420
C35	1348730	1448734	0607422
C4	1348732	1448736	0607424
C45	1348734	1448738	0607426
C5	1348736	1448740	0607428
C55	1348738	1448742	0607430
C6	1348740	1448744	0607432
8 ft	1348742	1448746	0607450

Angle Bay Parts

Joining Kit - Angle Bay / 45°

Note:

Vinyl mull post trim strips located in Service Replacement section on [page 81](#).

	Unit No.	White	Terratone®	Sandtone
	C3	1348746	1448748	0607436
	C35	1348748	1448750	0607438
	C4	1348750	1448752	0607440
	C45	1348752	1448754	0607442
	C5	1348754	1448756	0607444
	C55	1348756	1448758	0607446
	C6	1348758	1448760	0607448
	8 ft	1348760	1448762	0607450

Flashing - Angle Bay 30° & 45° / Bow / Side (Pair) Ref. No. 15 [page 63](#)

Note:

Universal 30° or 45° flashing.

	Unit No.	White	Terratone®	Sandtone
	C3	1364604	1464304	0611504
	C35	1364606	1464306	0611506
	C4	1364608	1464308	0611508
	C45	1364610	1464310	0611510
	C5	1364612	1464312	0611512
	C55	1364614	1464314	0611514
	C6	1364616	1464316	0611516

Extension Jamb Adaptor - Angle Bay Ref. No. 19 [page 63](#)

Note:

Ships as individual piece.

	Unit No.	30°	45°
	C3	8016001	8026001
	C35	8016002	8026002
	C4	8016003	8026003
	C45	8016004	8026004
	C5	8016005	8026005
	C55	8016006	8026006
	C6	8016007	8026007

Interior Casing - Angle Bay

Interior Casing - Angle Bay 30° / Mullion Post / 2 1/8"

	Unit No.	Order No.
	C5/P50	1365512
	8 ft	1348103

Perma-Shield® Casement Windows (1966 to 1995)

Angle Bay Windows

Angle Bay Parts

Interior Casing - Angle Bay

Interior Casing - Angle Bay 45° / Mullion Post / 2"

	Unit No.	Order No.
	C5/P50	1364512
	8 ft	1348105

Head and Seat Boards - Angle Bay

Head and Seat Board - Angle Bay / 30° Ref. No. 9 [page 63](#)

	Unit No.	5 1/4"	6 9/16"	7 1/8"
	30-C1-20	1365108	1364820	1376608
	30-C2-20	1365112	1364822	1376610
	30-C3-20	1365116	1364824	1376612

Head and Seat Board - Angle Bay / 45°

	Unit No.	5 1/4"	6 9/16"	7 1/8"
	45-C1-20	1364108	1364720	1376408
	45-C2-20	1364112	1364722	1376410
	45-C3-20	1364116	1364724	1376412

Platform - Angle Bay

Platform - Angle Bay / 30°

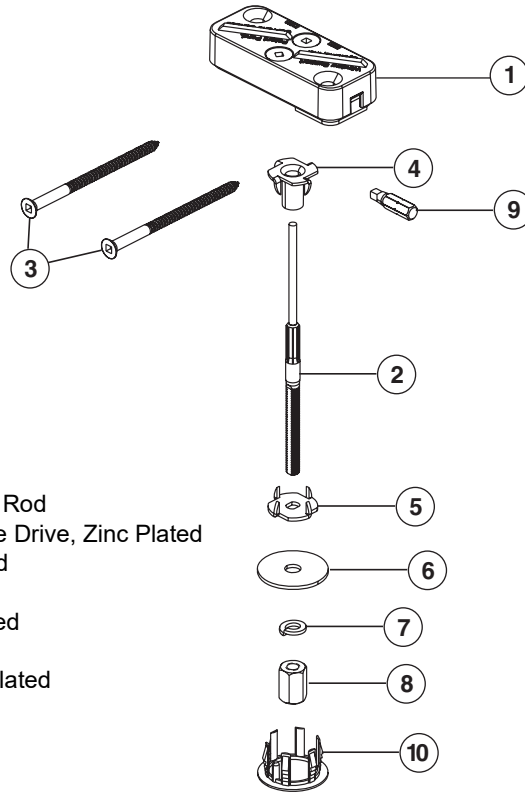
	Unit No.	Order No.
	30-C1-20	1365208
	30-C2-20	1365212
	30-C3-20	1365216

Platform - Angle Bay / 45°

	Unit No.	Order No.
	45-C1-20	1364208
	45-C2-20	1364212
	45-C3-20	1364216

Angle Bay Parts

Cable Support System - Angle Bay



1. Cable Clamp
2. Cable with Swaged Threaded Rod
3. Screw - #12 x 3-1/4 #3 Square Drive, Zinc Plated
4. T-nut - .390 Barrel, Zinc Plated
5. Keyed T-washer - Zinc Plated
6. Flat Washer - 1-1/4, Zinc Plated
7. Lock Washer - Zinc Plated
8. Hex Nut - 1/4-28, .625, Zinc Plated
9. Square Drive Bit - #3
10. Nylon Hole Plug

Cable Support System - Box Bay

	Length	Order No.
	9 ft	1355020
	12 ft	1355021

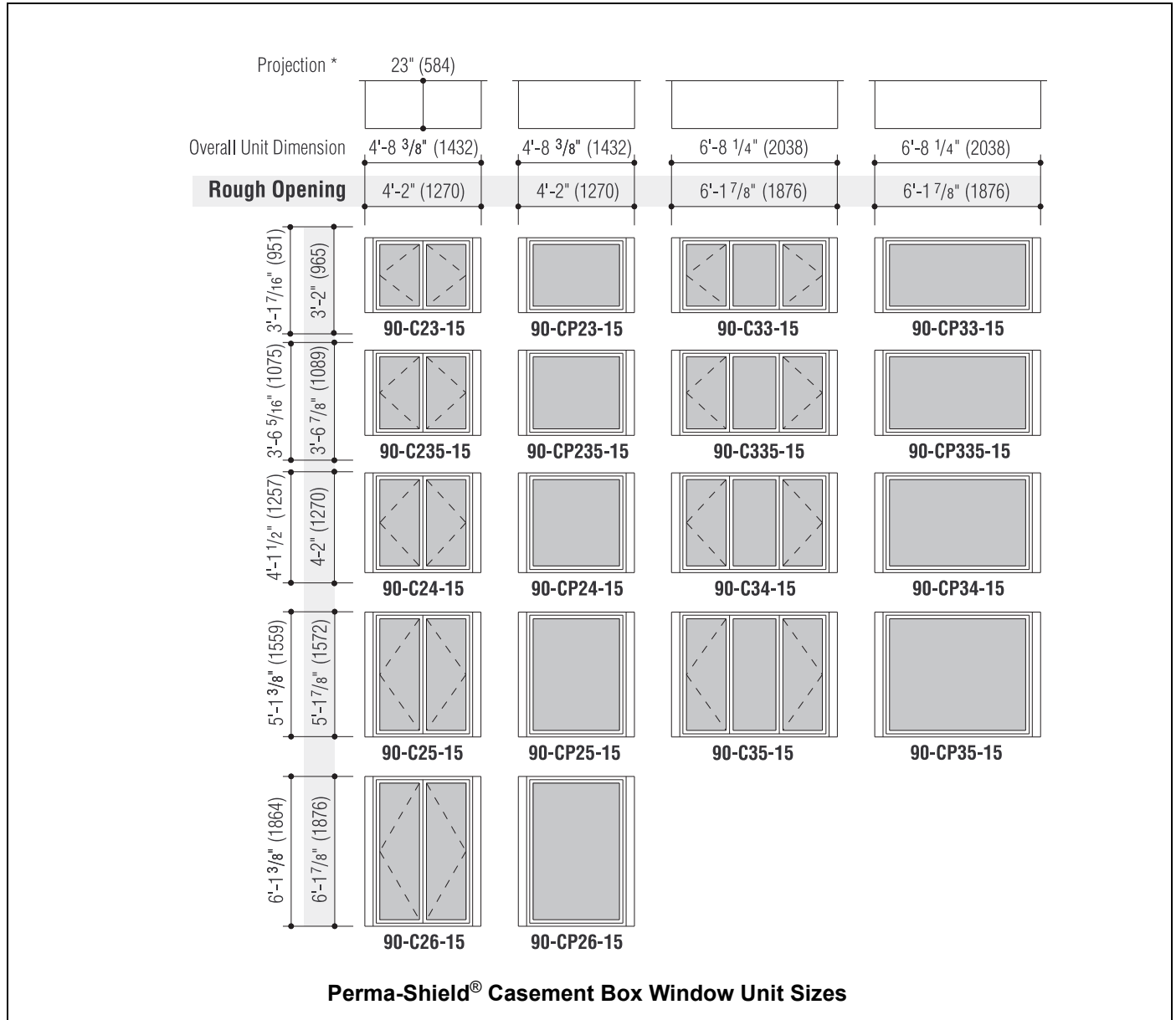
Perma-Shield® Casement Windows (1966 to 1995)

Box Bay Windows

Unit Sizes

Note:

Box Bay Windows are assembled with multiple Casement Windows. Look in the Basic and Picture Window pages of this section for most replacement parts. Replacements for special Box Bay parts are listed on the following pages.



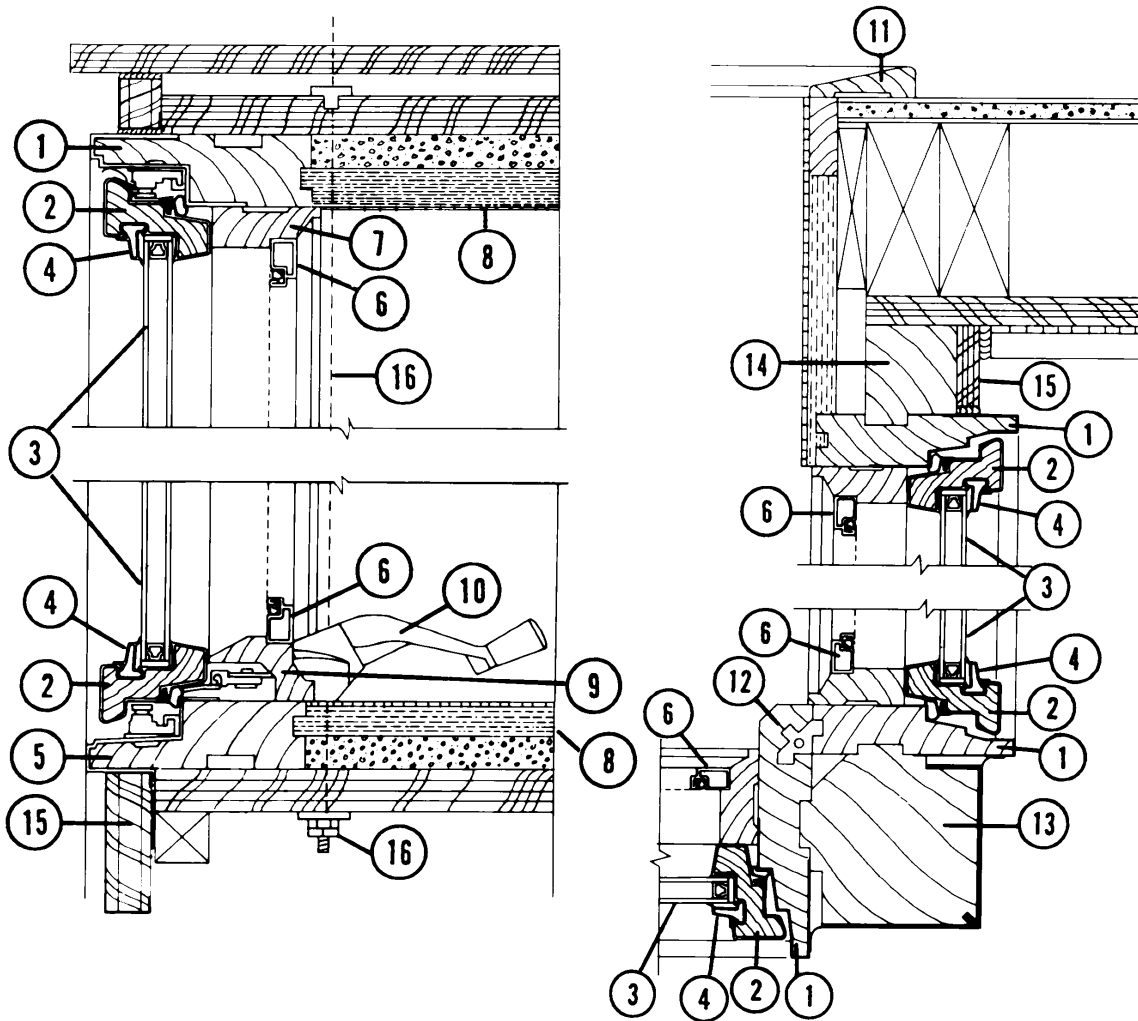
Unit viewed from exterior.



Note:

Single sash indicates hinging left, right or stationary. Handing is viewed from exterior. Unit Dimension refers to overall outside-to-outside frame. Unobstructed Glass refers to visible glass dimensions. Numbers in parentheses are metric measurements.

Box Bay Parts



- | | |
|---|---|
| 1. Jamb, Head and Side | 10. Roto Operator |
| 2. Sash, Rail and Stile | 11. Casing (Furnished By Others) |
| 3. Glazing | 12. Mull Post Interior Casing |
| 4. Glazing Bead | 13. Mull Post |
| 5. Sill | 14. Wall Return Post |
| 6. Insect Screen | 15. Vinyl laminated board |
| 7. Head | 16. Cable Support System |
| 8. Head and Seat Boards | 17. Trim Strip |
| 9. Sill Stop | 18. Extension Jamb |

Perma-Shield® Casement Box Window Profiles

Perma-Shield® Casement Windows (1966 to 1995)

Box Bay Windows

Box Bay Parts

Joining Components - Box Bay

Joining Kit - Box Bay 90°				
	Unit No.	White	Terratone®	Sandtone
	C3	1348762	1448764	0607452
	C35	1348764	1448766	0607454
	C4	1348766	1448768	0607456
	C5	1348770	1448772	0607460
	C6	1348774	1448776	0607464

Exterior Wall Return Casing - Box Bay 90°				
	Unit No.	White	Terratone®	Sandtone
	C3	1372802	1465502	0611404
	C35	1372803	1465503	0611406
	C4	1372804	1465504	0611408
	C5	1372806	1465506	0611412
	C6	1372808	1465508	0611416

Interior Casing- Box Bay 90° / Mullion Post Ref. No. 12 page 68				
	Unit No.	Casement to Casement	Casement to Flex	Flex to Flex
		1 ⁷ / ₁₆ "	1 ⁵ / ₈ "	1 ³ / ₄ "
	C5/P50	1372606	1348137	1348139
	8 ft	1348107	1348138	1348140

Wall Return Post - Box Bay 90° Ref. No. 14 page 68		
	Unit No.	Order No.
	C3	1372002
	C35	1372003
	C4	1372004
	C5	1372006
	C6	1372008

Exterior Trim Strip - Box Bay 90° / Mullion Post Ref. No. 17 page 68				
	Unit No.	White	Terratone®	Sandtone
	C3	1372702	1465402	0611304
	C35	1372703	1465403	0611306
	C4	1372704	1465404	0611308
	C5	1372706	1465406	0611312
	C6	1372708	1465408	0611316

Box Bay Parts

Extension Jambs - Box Bay

Extension Jamb - Box Bay 90° / Side (Pair) Ref. No. 18 [page 68](#)

	Unit No.	5 1/4" Wall	6 9/16" Wall	7 1/8" Wall
	C3	1371302	1371410	1376804
	C35	1371303	1371412	1376806
	C4	1371304	1371414	1376808
	C5	1371306	1371416	1376810
	C6	1371308	1371418	1376812

Head and Seat Boards - Box Bay

Head and Seat Boards - Box Bay 90° (Pair) Ref. No. 8 [page 68](#)

	Unit No.	5 1/4" Wall	6 9/16" Wall	7 1/8" Wall
	C2-15	1370702	1370920	1376702
	C3-15	1370704	1370922	1376704

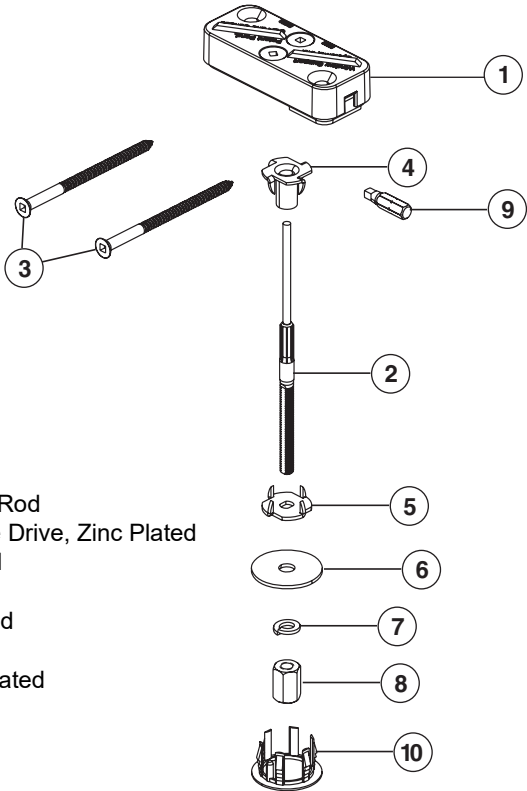
Platform - Box Bay

Platform - Box Bay 90° Ref. No. 8 [page 68](#)

	Unit No.	Order No.
	C2-15	1370802
	C3-15	1370804

Box Bay Parts

Cable Support System - Box Bay



- 1. Cable Clamp
- 2. Cable with Swaged Threaded Rod
- 3. Screw - #12 x 3-1/4 #3 Square Drive, Zinc Plated
- 4. T-nut - .390 Barrel, Zinc Plated
- 5. Keyed T-washer - Zinc Plated
- 6. Flat Washer - 1-1/4, Zinc Plated
- 7. Lock Washer - Zinc Plated
- 8. Hex Nut - 1/4-28, .625, Zinc Plated
- 9. Square Drive Bit - #3
- 10. Nylon Hole Plug

Cable Support System - Box Bay

	Length	Order No.
	9 ft	1355020
	12 ft	1355021

Notes

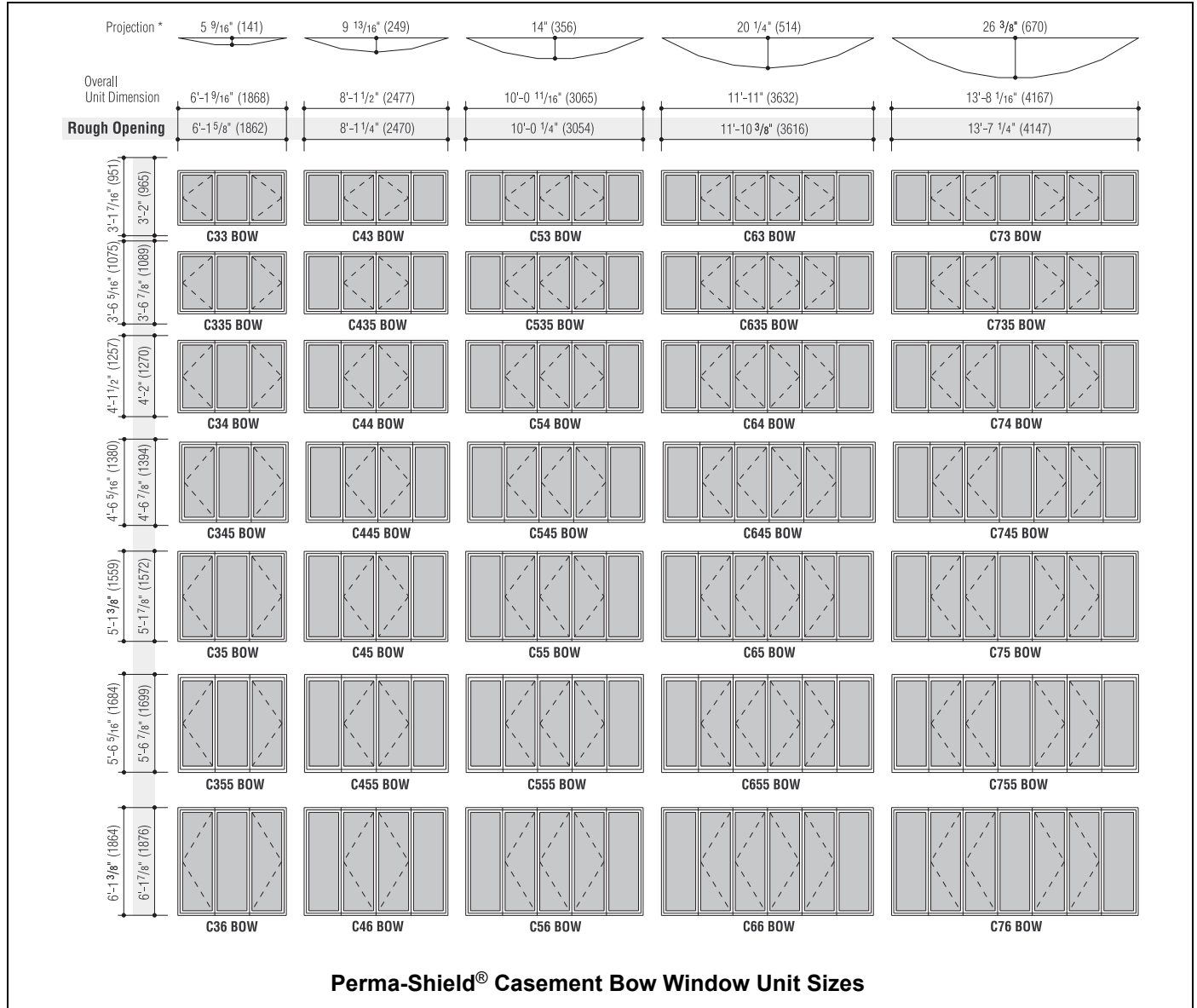
Perma-Shield® Casement Windows (1966 to 1995)

Bow Windows

Unit Sizes

Note:

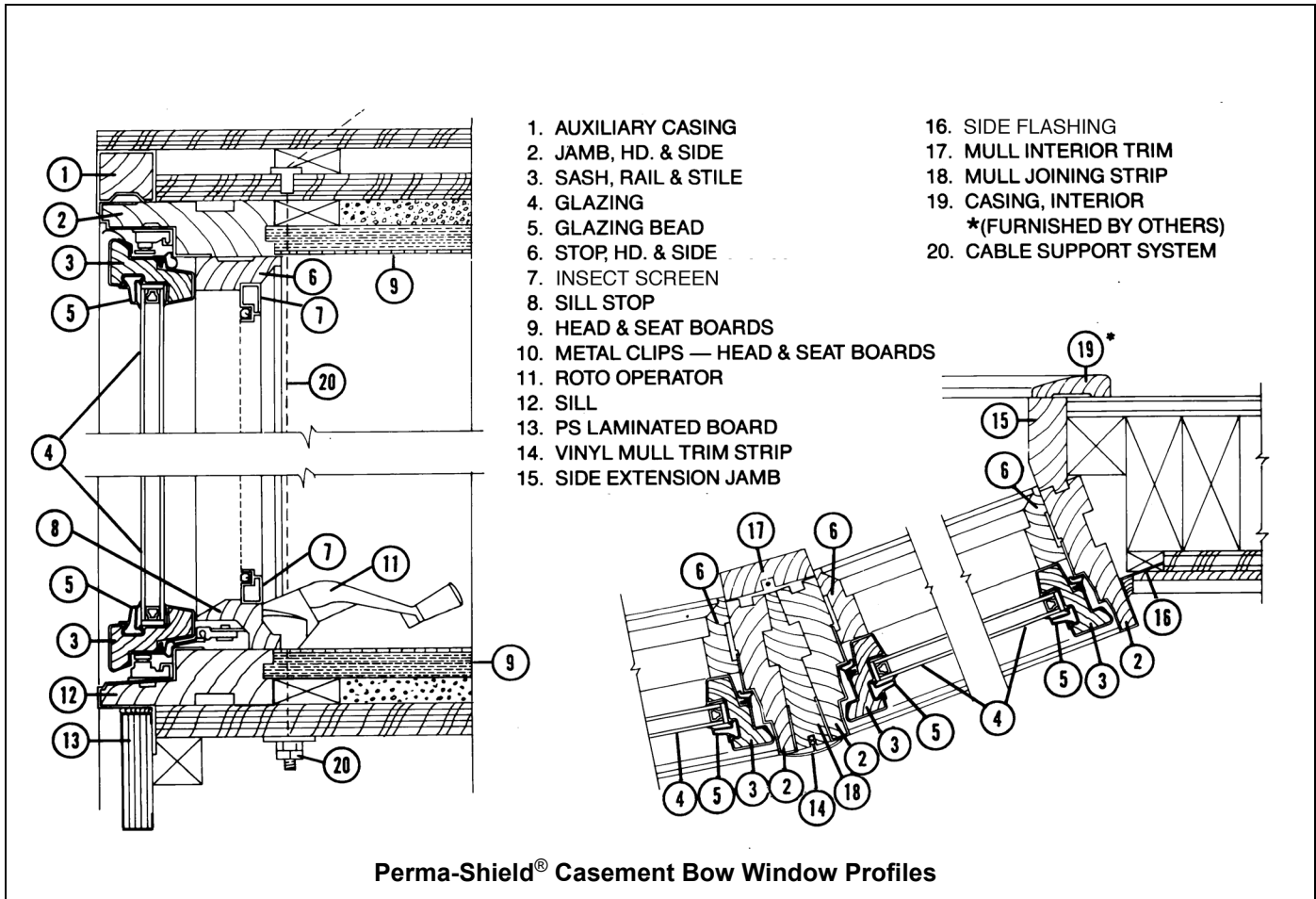
Bow Windows are assembled with multiple Casement Windows. Look in the Basic and Picture Window pages of this section for most replacement parts. Bow units use specially designed mullion posts, side flanges, and head/seat boards. Replacements for these and other special Bow parts are listed in the following pages.



Note:

Single sash indicates hinging left, right or stationary. Handing is viewed from exterior. Unit Dimension refers to overall outside-to-outside frame. Unobstructed Glass refers to visible glass dimensions. Numbers in parentheses are metric measurements.

Bow Window Parts



Joining Components - Bow

Exterior Trim Strip - Bow 10° / Mullion Post / Vinyl Ref. No. 14

	Unit No.	White	Terratone®	Sandtone
<p>White</p> <p>Sandtone, Terratone®</p>	C3	1354020	1454020	0608204
	C35	1354022	1454022	0608206
	C4	1354024	1454024	0608208
	C45	1354026	1454026	0608210
	C5	1354028	1454028	0608212
	C55	1354030	1454030	0608214
	C6	1354032	1454032	0608216

Perma-Shield® Casement Windows (1966 to 1995)

Bow Windows

Bow Window Parts

Interior Casing - Bow 10° / Mullion Post / 2 1/2" Ref. No. 17 page 74		
	Unit No.	Order No.
	C3	1353020
	C35	1353022
	C4	1353024
	C45	1353026
	C5	1353028
	C55	1353030
	C6	1353032

Mullion Post - Bow 10° Ref. No. 18 page 74		
	Unit No.	Order No.
	C3	1353520
	C35	1353522
	C4	1353524
	C45	1353526
	C5	1353528
	C55	1353530
	C6	1353532

Bow Window Parts

Extension Jamb - Bow

Extension Jamb - Bow 10° / Side (Pair) Ref. No. 15 [page 74](#)

Unit No.	Units Wide	5 1/4" Wall	6 9/16" Wall	7 1/8" Wall
C3	3	1349101	1354402	1354102
C35	3	1349110	1354412	1354112
C4	3	1349201	1354422	1354122
C45	3	1349230	1354452	1354152
C5	3	1349210	1354432	1354132
C55	3	1349240	1354462	1354162
C6	3	1349220	1354442	1354142
C3	4	1349102	1354404	1354104
C35	4	1349112	1354414	1354114
C4	4	1349202	1354424	1354124
C45	4	1349232	1354454	1354154
C5	4	1349212	1354434	1354134
C55	4	1349242	1354464	1354164
C6	4	1349222	1354444	1354144
C3	5	1349104	1354406	1354106
C35	5	1349114	1354416	1354116
C4	5	1349204	1354426	1354126
C45	5	1349234	1354456	1354156
C5	5	1349214	1354436	1354136
C55	5	1349244	1354466	1354166
C6	5	1349224	1354446	1354146
C3	6	1349106	1354408	1354108
C35	6	1349116	1354418	1354118
C4	6	1349206	1354428	1354128
C45	6	1349236	1354458	1354158
C5	6	1349216	1354438	1354138
C55	6	1349246	1354468	1354168
C6	6	1349226	1354448	1354148
C3	7	1349108	1354410	1354110
C35	7	1349118	1354420	1354120
C4	7	1349208	1354430	1354130
C45	7	1349238	1354460	1354160
C5	7	1349218	1354440	1354140
C55	7	1349248	1354470	1354170
C6	7	1349228	1354450	1354150

Perma-Shield® Casement Windows (1966 to 1995)

Bow Windows

Bow Window Parts

Head and Seat Boards - Bow

Head and Seat Boards - Bow 10° (Pair) Ref. No. 9 [page 74](#)

Note:

Unit number refers to number of units in bow window. A C5 head and seat board is used for a unit with 5 windows.

	Unit No.	5 1/4" Wall	6 9/16" Wall	7 1/8" Wall
	C3	1349408	1354302	1354202
	C4	1349410	1354304	1354204
	C5	1349414	1354306	1354206
	C6	1349418	1354308	1354208
	C7	1349420	1354310	1354210

Platform - Bow

Platform - Bow 10°

	Unit No.	Order No.
	C3	1349308
	C4	1349310
	C5	1349314
	C6	1349318
	C7	1349320

Bow Parts

Exterior Mullion Flashing - Bow 10°

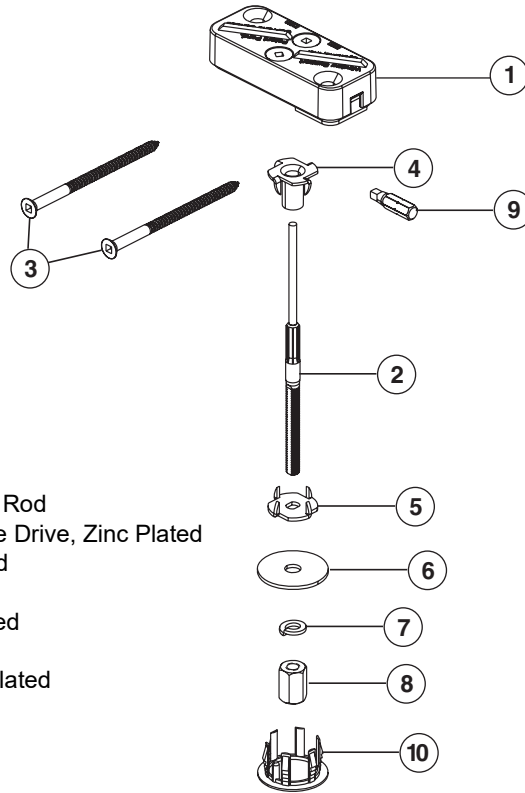
	Width	Color	Order No.
	6"	White	1354528
		Sandtone	0608406
		Terratone®	1454528

Gusset Plate - Bow 10°

	Order No.
	1355508

Bow Window Parts

Cable Support System - Bow



1. Cable Clamp
2. Cable with Swaged Threaded Rod
3. Screw - #12 x 3-1/4 #3 Square Drive, Zinc Plated
4. T-nut - .390 Barrel, Zinc Plated
5. Keyed T-washer - Zinc Plated
6. Flat Washer - 1-1/4, Zinc Plated
7. Lock Washer - Zinc Plated
8. Hex Nut - 1/4-28, .625, Zinc Plated
9. Square Drive Bit - #3
10. Nylon Hole Plug

Cable Support System - Bow

	Length	Order No.
	9 ft	1355020
	12 ft	1355021

Perma-Shield® Casement Windows (1966 to 1995)

Service Replacement

Service Replacement Only Parts

Service Replacement Only Parts

Note:

This section is specifically designed for parts that should only be ordered if a Territory Service Manager/Service Provider Company has requested them to be ordered or if the customer agrees to also pay for a non-warranty repair/replace service job (subject to availability) for these parts to be installed. We do not recommend anyone other than a trained AW employee or Service Provider install these parts due to the complexity of installation, modifications required for installation and/or requirement of special tools.

Sash - Standard Windows / High Performance Sun Bronze

Sash - High Performance Sun Bronze (1985 - 1990)

Unit No.	White	Terratone®	Sandtone	Unit No.	White	Terratone®	Sandtone
CR2	1338902	By description	By description	CN2	By description	By description	By description
CR3	By description	By description	By description	CN3	By description	By description	By description
CR35	By description	By description	By description	CN35	By description	By description	By description
CR4	1338918	By description	By description	CN4	1338919	By description	By description
CR45	By description	By description	By description	CN45	By description	By description	By description
CR5	1338924	By description	By description	CN5	By description	By description	By description
CR55	By description	By description	By description	CN55	By description	By description	By description
CR6	By description	By description	By description	CN6	By description	By description	By description
C2	By description	By description	By description	CW2	By description	By description	By description
C3	1338906	1441906	By description	CW3	By description	By description	By description
C35	1338914	1441914	By description	CW35	1338916	1441916	By description
C4	1338920	1441920	By description	CW4	1338922	1441922	By description
C45	By description	By description	By description	CW45	By description	By description	By description
C5	1338926	1441926	By description	CW5	1338928	1441928	By description
C55	By description	By description	By description	CW55	By description	By description	By description
C6	1338932	1441932	By description	CW6	1338934	1441934	By description

Sash - Standard Windows / Dual Pane 5/8 POG

Sash - Standard Windows / Dual Pane 5/8 POG

Note:

Sash are universal (Operating/Stationary).

Unit No.	White	Terra-tone®	Sandtone	Forest Green	Unit No.	White	Terra-tone®	Sandtone	Forest Green
CR4	By description	By description	By description	By description	CR5	By description	By description	By description	By description
CN4	By description	By description	By description	By description	CN5	By description	By description	By description	By description
C4	By description	By description	By description	By description	C5	By description	1447616	By description	By description

Service Replacement Only Parts

Sash - Picture Windows / High Performance Sun Bronze

Note:

Chart below does not acknowledge all sizes shown in size grid (see [page 7](#)) that are available by description. CP35 is '82' version with visible glass dimension of 67 1/2 x 55 1/16 (see [page 9](#)). Clips/fasteners included.

See [Service Guide 0005111](#) and [Stationary Sash Replacement Video](#).

Sash - Picture Window / High Performance Sun Bronze (1985 - 1990)

Unit No.	White	Terratone®	Sandtone	Unit No.	White	Terratone®	Sandtone
CP23	By description	1441970	By description	CP305	1346668	1346667	1346665
CP235	By description	By description	By description	CP33	By description	By description	By description
CP24	By description	1441974	By description	CP335	By description	1346750	By description
CP245	By description	By description	By description	CP34	By description	By description	By description
CP25	By description	1441976	By description	CP35	By description	By description	By description
CP255	By description	By description	By description	CP3535	By description	By description	By description
CP26	By description	By description	By description	CP505	By description	By description	By description
CP303	By description	By description	By description				

Sash - Picture Windows / High Performance Sun II

Sash - Picture Window / High Performance Sun II (1990 - 2005)

Unit No.	White	Terratone®	Sandtone	Unit No.	White	Terratone®	Sandtone
CP23	By description	By description	By description	CP305	1346650	1346666	1346664
CP235	By description	By description	By description	CP33	1346671	1346670	1346669
CP24	1346654	1346653	1346652	CP335	1346749	1346748	1346747
CP245	By description	By description	By description	CP34	1346674	1346673	1346672
CP25	1346657	1346656	1346655	CP35	1346743	1346742	1346741
CP255	By description	By description	By description	CP3535	By description	By description	By description
CP26	1346660	1346659	1346658	CP505	By description	By description	By description
CP303	By description	By description	By description				

Sash Snugger

Sash Snugger with Screws

	Color	Order No.
	White	2960002
	Terratone®	2960004
	Sandtone	2960006

Perma-Shield® Casement Windows (1966 to 1995)

Service Replacement

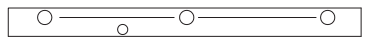
Service Replacement Only Parts

Hinge Channel Shims

Hinge Channel Shim - Straight Arm Operator / 1/16"

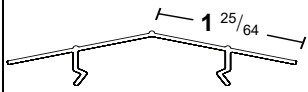
	Order No.
	1357608

Hinge Channel Shim - Split Arm Operator

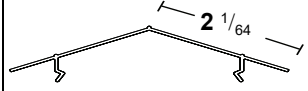
	Order No.
	1357612

Trim Strips - Angle Bay

Trim Strip - Angle Bay / 30° Post Ref. No. 13 [page 63](#)

	<p>Note: Trim strips on units manufactured 1966 to March 1993 have a single holding leg (as shown on page 57). Replacement has a double holding leg (shown here).</p>	Unit No.	White	Terratone®	Sandtone
		C3	1365404	1465204	0611104
		C35	1365406	1465206	0611106
		C4	1365408	1465208	0611108
		C45	1365410	1465210	0611110
		C5	1365412	1465212	0611112
		C55	1365414	1465214	0611114
		C6	1365416	1465216	0611116
		8 foot	1365502	1449006	0607235

Trim Strip - Angle Bay / 45° Post Ref. No. 13 [page 63](#)

	<p>Note: Trim strips on units manufactured 1966 to March 1993 have a single holding leg (as shown on page 57). Replacement has a double holding leg (shown here).</p>	Unit No.	White	Terratone®	Sandtone
		C3	1364404	1464204	0611204
		C35	1364406	1464206	0611206
		C4	1364408	1464208	0611208
		C45	1364410	1464210	0611210
		C5	1364412	1464212	0611212
		C55	1364414	1464214	0611214
		C6	1364416	1464216	0611216
		8 foot	1365503	1449007	0611036

Service Replacement Only Parts

Frames

Frame - Standard Window

Note:

Replace with current Improved Casement frame with hardware. If replacing on venting units, also replace sash hardware with current Improved Casement sash hardware.

Frame - Picture Window

Note:

Replacement picture window frames are not available.

Adhesive

Adhesive - 3532

Terratone®

2956013

Adhesive - Fast Setting / 3535

White

2956016

Cartons

Cartons - Picture Window Sash

Unit No.	Order No.	Unit No.	Order No.	Unit No.	Order No.
A335	9071989	CP305/AP530	9071962	CP355/AP535	9071968
CP23/AP32	9071971	CP3055/AP5530	9071963	CP3555/ P5535	9071969
CP235/AP352	9071972	CP306/AP630	9071964	CP356/AP635	9071970
CP24/AP42	9071973	CP33/AP33	9071984	CP503/AP350	9098429
CP245/AP452	9071974	CP335/AP353	9071985	CP5035/AP3550	9071978
CP25/AP52	9071975	CP34/AP43	9071986	CP504/AP450	9071979
CP255/AP552	9071976	CP345/AP453	9071987	CP5045/AP4550	9071980
CP26/AP62	9071977	CP35/AP53	9071988	CP505/AP550	9071981
CP303/A330S	9071965	CP3535/A3535S	9071990	CP5055/AP5550	9071982
CP304/AP430	9071960	CP354/AP435	9071966	CP506/AP650	9071983
CP3045/AP4530	9071961	CP3545/AP4535	9071967		