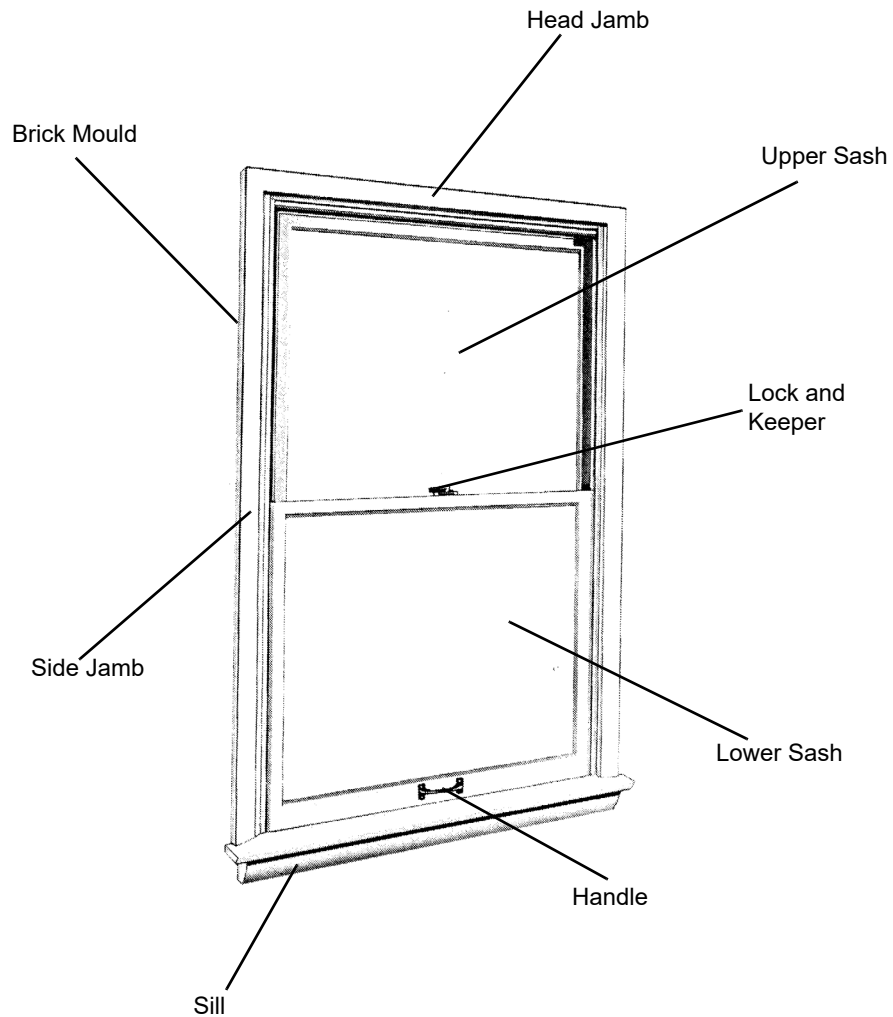


<b>What's in This Section</b>
-------------------------------

<b>Standard Windows</b> .....	<b>Page 3</b>
<b>Parts Illustration</b> .....	<b>3</b>
<b>Unit Sizes</b> .....	<b>4</b>
Unit Size Chart .....	4
<b>Product History</b> .....	<b>5</b>
Milestones .....	5
<b>Sash</b> .....	<b>6</b>
Sash Size Table .....	6
Weatherstrip .....	7
<b>Balancers</b> .....	<b>8</b>
Balancers .....	8
<b>Insect Screens</b> .....	<b>9</b>
Insect Screen - Full .....	9
Insect Screens - Half .....	9
<b>Grilles</b> .....	<b>10</b>
Interior Grilles .....	10
<b>Frames</b> .....	<b>11</b>
Frame Assembly .....	11
Jamb Liners .....	12
Frame Parts .....	12
<b>Hardware</b> .....	<b>13</b>
Hardware .....	13



Parts Illustration



Manufactured 1962 to 1970

Primed Narroline® Window Unit Parts

*Unit viewed from interior.*

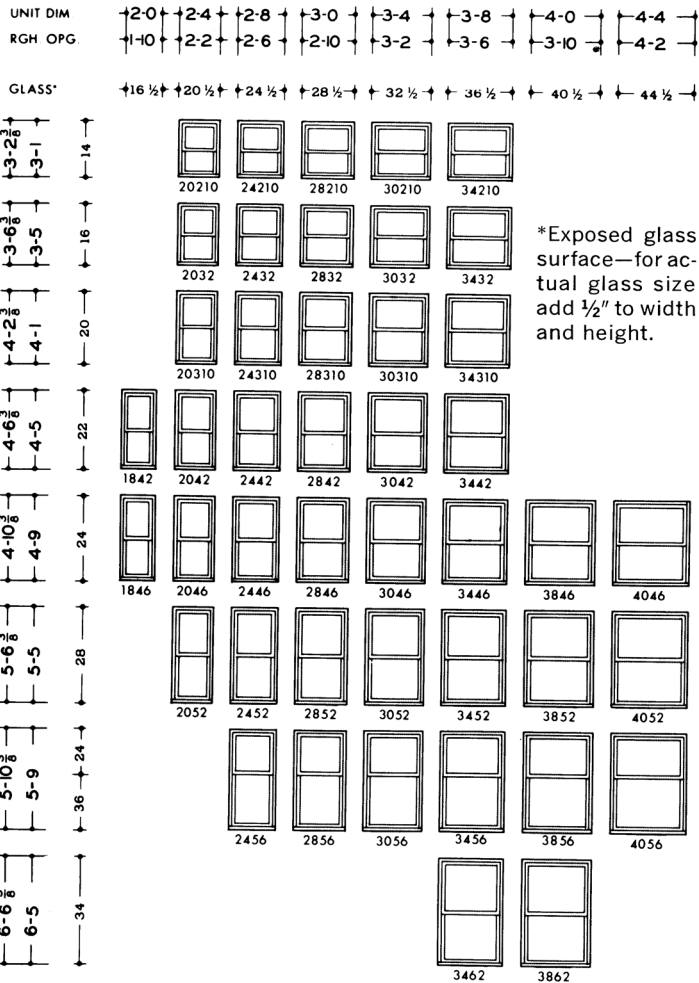
# Unit Sizes

## Unit Size Chart

**Note:**

Unit dimension width are figured from outside edges of 2 inch exterior side casings. Heights are figured from top edge of 2 inch exterior head casing to the bottom edge of sill. See frame illustration on [page 11](#).

### WINDOW SIZES



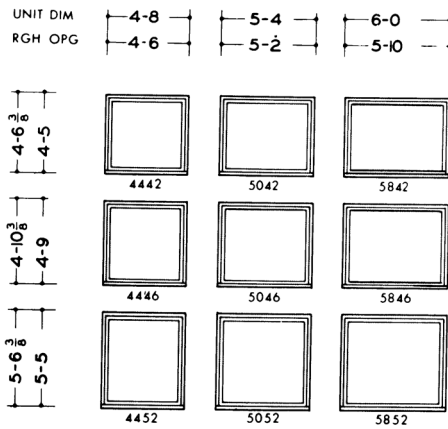
Unit Dim. refers to overall outside to outside frame.

Rgh. Opg. refers to rough stud opening.

Glass refers to unobstructed (visible) glass.

See [Measuring Visible Glass Video](#).

### PICTURE WINDOWS



## Primed Narroline® Window Unit Sizes

# Primed Narroline® Windows (1962 to 1970)

*Standard Windows*

## Product History

### Milestones

- 1968** Primed Narroline® window discontinued.
- 1962** Primed Narroline® window introduced.

## Sash

### Sash Size Table

**Note:**

Sash size table provided for identification purposes only. Primed Narroline® replacement sash not available. Use Perma-Shield® Narroline® sash Section for replacement. When replacing sash, both upper and lower sash must be replaced. The dimensions listed include the brick mould as listed in the 1965 Residential Product Guide.

These sizes are not available: 4046, 4052 and 4056.

### Sash Size Table - Standard Window

Unit No.	Upper Sash			Lower Sash		
	Overall Sash (w x h)	Unobstructed Glass (w x h)	Actual Glass (w x h)	Overall Sash (w x h)	Unobstructed Glass (w x h)	Actual Glass (w x h)
1842	19 13/16 x 25 15/32	16 1/2 x 22	17 x 22 1/2	19 13/16 x 25 15/32	16 1/2 x 22	17 x 22 1/2
1846	19 13/16 x 27 15/32	16 1/2 x 24	17 x 24 1/2	19 13/16 x 27 15/32	16 1/2 x 24	17 x 24 1/2
20210	23 13/16 x 17 15/32	20 1/2 x 14	21 x 14 1/2	23 13/16 x 17 15/32	20 1/2 x 14	21 x 14 1/2
2032	23 13/16 x 19 15/32	20 1/2 x 16	21 x 16 1/2	23 13/16 x 19 15/32	20 1/2 x 16	21 x 16 1/2
20310	23 13/16 x 23 15/32	20 1/2 x 20	21 x 20 1/2	23 13/16 x 23 15/32	20 1/2 x 20	21 x 20 1/2
2042	23 13/16 x 25 15/32	20 1/2 x 22	21 x 22 1/2	23 13/16 x 25 15/32	20 1/2 x 22	21 x 22 1/2
2046	23 13/16 x 27 15/32	20 1/2 x 24	21 x 24 1/2	23 13/16 x 27 15/32	20 1/2 x 24	21 x 24 1/2
2052	23 13/16 x 31 15/32	20 1/2 x 28	21 x 28 1/2	23 13/16 x 31 15/32	20 1/2 x 28	21 x 28 1/2
24210	27 13/16 x 17 15/32	24 1/2 x 14	25 x 14 1/2	27 13/16 x 17 15/32	24 1/2 x 14	25 x 14 1/2
2432	27 13/16 x 19 15/32	24 1/2 x 16	25 x 16 1/2	27 13/16 x 19 15/32	24 1/2 x 16	25 x 16 1/2
24310	27 13/16 x 23 15/32	24 1/2 x 20	25 x 20 1/2	27 13/16 x 23 15/32	24 1/2 x 20	25 x 20 1/2
2442	27 13/16 x 25 15/32	24 1/2 x 22	25 x 22 1/2	27 13/16 x 25 15/32	24 1/2 x 22	25 x 22 1/2
2446	27 13/16 x 27 15/32	24 1/2 x 24	25 x 24 1/2	27 13/16 x 27 15/32	24 1/2 x 24	25 x 24 1/2
2452	27 13/16 x 31 15/32	24 1/2 x 28	25 x 28 1/2	27 13/16 x 31 15/32	24 1/2 x 28	25 x 28 1/2
2456	27 13/16 x 27 15/32	24 1/2 x 24	25 x 24 1/2	27 13/16 x 39 15/32	24 1/2 x 36	25 x 36 1/2
28210	31 13/16 x 17 15/32	28 1/2 x 14	29 x 14 1/2	31 13/16 x 17 15/32	28 1/2 x 14	29 x 14 1/2
2832	31 13/16 x 19 15/32	28 1/2 x 16	29 x 16 1/2	31 13/16 x 19 15/32	28 1/2 x 16	29 x 16 1/2
28310	31 13/16 x 23 15/32	28 1/2 x 20	29 x 20 1/2	31 13/16 x 23 15/32	28 1/2 x 20	29 x 20 1/2
2842	31 13/16 x 25 15/32	28 1/2 x 22	29 x 22 1/2	31 13/16 x 25 15/32	28 1/2 x 22	29 x 22 1/2
2846	31 13/16 x 27 15/32	28 1/2 x 24	29 x 24 1/2	31 13/16 x 27 15/32	28 1/2 x 24	29 x 24 1/2
2852	31 13/16 x 31 15/32	28 1/2 x 28	29 x 28 1/2	31 13/16 x 31 15/32	28 1/2 x 28	29 x 28 1/2
2856	31 13/16 x 27 15/32	28 1/2 x 24	29 x 24 1/2	31 13/16 x 39 15/32	28 1/2 x 36	29 x 24 1/2
30210	35 13/16 x 17 15/32	32 1/2 x 14	33 x 14 1/2	35 13/16 x 17 15/32	32 1/2 x 14	33 x 14 1/2
3032	35 13/16 x 19 15/32	32 1/2 x 16	33 x 16 1/2	35 13/16 x 19 15/32	32 1/2 x 16	33 x 16 1/2
30310	35 13/16 x 23 15/32	32 1/2 x 20	33 x 20 1/2	35 13/16 x 23 15/32	32 1/2 x 20	33 x 20 1/2
3042	35 13/16 x 25 15/32	32 1/2 x 22	33 x 22 1/2	35 13/16 x 25 15/32	32 1/2 x 22	33 x 22 1/2
3046	35 13/16 x 27 15/32	32 1/2 x 24	33 x 24 1/2	35 13/16 x 27 15/32	32 1/2 x 24	33 x 24 1/2
3052	35 13/16 x 31 15/32	32 1/2 x 28	33 x 28 1/2	35 13/16 x 31 15/32	32 1/2 x 28	33 x 28 1/2

# Primed Narroline® Windows (1962 to 1970)

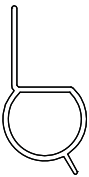
Standard Windows

## Sash

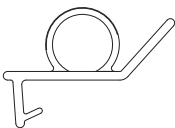
Sash Size Table - Standard Window						
Unit No.	Upper Sash			Lower Sash		
	Overall Sash (w x h)	Unobstructed Glass (w x h)	Actual Glass (w x h)	Overall Sash (w x h)	Unobstructed Glass (w x h)	Actual Glass (w x h)
3056	35 <sup>13</sup> / <sub>16</sub> × 27 <sup>15</sup> / <sub>32</sub>	32 <sup>1</sup> / <sub>2</sub> × 24	33 × 24 <sup>1</sup> / <sub>2</sub>	35 <sup>13</sup> / <sub>16</sub> × 39 <sup>15</sup> / <sub>32</sub>	32 <sup>1</sup> / <sub>2</sub> × 36	33 × 24 <sup>1</sup> / <sub>2</sub>
34210	39 <sup>13</sup> / <sub>16</sub> × 17 <sup>15</sup> / <sub>32</sub>	36 <sup>1</sup> / <sub>2</sub> × 14	37 × 14 <sup>1</sup> / <sub>2</sub>	39 <sup>13</sup> / <sub>16</sub> × 17 <sup>15</sup> / <sub>32</sub>	36 <sup>1</sup> / <sub>2</sub> × 14	37 × 14 <sup>1</sup> / <sub>2</sub>
3432	39 <sup>13</sup> / <sub>16</sub> × 19 <sup>15</sup> / <sub>32</sub>	36 <sup>1</sup> / <sub>2</sub> × 16	37 × 16 <sup>1</sup> / <sub>2</sub>	39 <sup>13</sup> / <sub>16</sub> × 19 <sup>15</sup> / <sub>32</sub>	36 <sup>1</sup> / <sub>2</sub> × 16	37 × 16 <sup>1</sup> / <sub>2</sub>
34310	39 <sup>13</sup> / <sub>16</sub> × 23 <sup>15</sup> / <sub>32</sub>	36 <sup>1</sup> / <sub>2</sub> × 20	37 × 20 <sup>1</sup> / <sub>2</sub>	39 <sup>13</sup> / <sub>16</sub> × 23 <sup>15</sup> / <sub>32</sub>	36 <sup>1</sup> / <sub>2</sub> × 20	37 × 20 <sup>1</sup> / <sub>2</sub>
3442	39 <sup>13</sup> / <sub>16</sub> × 25 <sup>15</sup> / <sub>32</sub>	36 <sup>1</sup> / <sub>2</sub> × 22	37 × 22 <sup>1</sup> / <sub>2</sub>	39 <sup>13</sup> / <sub>16</sub> × 25 <sup>15</sup> / <sub>32</sub>	36 <sup>1</sup> / <sub>2</sub> × 22	37 × 22 <sup>1</sup> / <sub>2</sub>
3446	39 <sup>13</sup> / <sub>16</sub> × 27 <sup>15</sup> / <sub>32</sub>	36 <sup>1</sup> / <sub>2</sub> × 24	37 × 24 <sup>1</sup> / <sub>2</sub>	39 <sup>13</sup> / <sub>16</sub> × 27 <sup>15</sup> / <sub>32</sub>	36 <sup>1</sup> / <sub>2</sub> × 24	37 × 24 <sup>1</sup> / <sub>2</sub>
3452	39 <sup>13</sup> / <sub>16</sub> × 31 <sup>15</sup> / <sub>32</sub>	36 <sup>1</sup> / <sub>2</sub> × 28	37 × 28 <sup>1</sup> / <sub>2</sub>	39 <sup>13</sup> / <sub>16</sub> × 31 <sup>15</sup> / <sub>32</sub>	36 <sup>1</sup> / <sub>2</sub> × 28	37 × 28 <sup>1</sup> / <sub>2</sub>
3456	39 <sup>13</sup> / <sub>16</sub> × 27 <sup>15</sup> / <sub>32</sub>	36 <sup>1</sup> / <sub>2</sub> × 24	37 × 24 <sup>1</sup> / <sub>2</sub>	39 <sup>13</sup> / <sub>16</sub> × 39 <sup>15</sup> / <sub>32</sub>	36 <sup>1</sup> / <sub>2</sub> × 36	37 × 36 <sup>1</sup> / <sub>2</sub>
3462	39 <sup>13</sup> / <sub>16</sub> × 37 <sup>15</sup> / <sub>32</sub>	36 <sup>1</sup> / <sub>2</sub> × 34	37 × 34 <sup>1</sup> / <sub>2</sub>	39 <sup>13</sup> / <sub>16</sub> × 36 <sup>15</sup> / <sub>32</sub>	36 <sup>1</sup> / <sub>2</sub> × 34	37 × 34 <sup>1</sup> / <sub>2</sub>
3846	43 <sup>13</sup> / <sub>16</sub> × 27 <sup>15</sup> / <sub>32</sub>	40 <sup>1</sup> / <sub>2</sub> × 24	41 × 24 <sup>1</sup> / <sub>2</sub>	43 <sup>13</sup> / <sub>16</sub> × 27 <sup>15</sup> / <sub>32</sub>	40 <sup>1</sup> / <sub>2</sub> × 24	41 × 24 <sup>1</sup> / <sub>2</sub>
3852	43 <sup>13</sup> / <sub>16</sub> × 31 <sup>15</sup> / <sub>32</sub>	40 <sup>1</sup> / <sub>2</sub> × 28	41 × 28 <sup>1</sup> / <sub>2</sub>	43 <sup>13</sup> / <sub>16</sub> × 31 <sup>15</sup> / <sub>32</sub>	40 <sup>1</sup> / <sub>2</sub> × 28	41 × 28 <sup>1</sup> / <sub>2</sub>
3856	43 <sup>13</sup> / <sub>16</sub> × 27 <sup>15</sup> / <sub>32</sub>	40 <sup>1</sup> / <sub>2</sub> × 24	41 × 24 <sup>1</sup> / <sub>2</sub>	43 <sup>13</sup> / <sub>16</sub> × 39 <sup>15</sup> / <sub>32</sub>	40 <sup>1</sup> / <sub>2</sub> × 36	41 × 36 <sup>1</sup> / <sub>2</sub>
3862	43 <sup>13</sup> / <sub>16</sub> × 37 <sup>15</sup> / <sub>32</sub>	40 <sup>1</sup> / <sub>2</sub> × 34	41 × 34 <sup>1</sup> / <sub>2</sub>	43 <sup>13</sup> / <sub>16</sub> × 37 <sup>15</sup> / <sub>32</sub>	40 <sup>1</sup> / <sub>2</sub> × 34	41 × 34 <sup>1</sup> / <sub>2</sub>
4046	47 <sup>13</sup> / <sub>16</sub> × 27 <sup>15</sup> / <sub>32</sub>	44 <sup>1</sup> / <sub>2</sub> × 24	45 × 24 <sup>1</sup> / <sub>2</sub>	47 <sup>13</sup> / <sub>16</sub> × 27 <sup>15</sup> / <sub>32</sub>	44 <sup>1</sup> / <sub>2</sub> × 24	45 × 24 <sup>1</sup> / <sub>2</sub>
4052	47 <sup>13</sup> / <sub>16</sub> × 31 <sup>15</sup> / <sub>32</sub>	44 <sup>1</sup> / <sub>2</sub> × 28	45 × 28 <sup>1</sup> / <sub>2</sub>	47 <sup>13</sup> / <sub>16</sub> × 31 <sup>15</sup> / <sub>32</sub>	44 <sup>1</sup> / <sub>2</sub> × 28	45 × 28 <sup>1</sup> / <sub>2</sub>
4056	47 <sup>13</sup> / <sub>16</sub> × 27 <sup>15</sup> / <sub>32</sub>	44 <sup>1</sup> / <sub>2</sub> × 24	45 × 24 <sup>1</sup> / <sub>2</sub>	47 <sup>13</sup> / <sub>16</sub> × 39 <sup>15</sup> / <sub>32</sub>	44 <sup>1</sup> / <sub>2</sub> × 36	45 × 36 <sup>1</sup> / <sub>2</sub>

### Weatherstrip

#### Weatherstrip - Bulb / Bottom Rail

	<b>Note:</b> May be used with foam weatherstrip. Use this weatherstrip to replace previous vintages of bottom rail weatherstrip.	Length	Color	Order No.
		72 in	White	1631516
		Terratone®	2731516	

#### Weatherstrip - Bulb / Check Rail

	<b>Note:</b> Use this weatherstrip to replace previous vintages of check rail weatherstrip.	Length	Beige
		72 in	1631512

## Balancers

### Balancers

**Note:**

Use Perma-Shield® Narroline® balancers for replacement on sizes not listed here.

**Balancer**

Unit No.	Single Pane		Dual Pane	
	Left	Right	Left	Right
<b>4046</b>	1626037		1626048	
<b>4052</b>	1626044		1626066	1626068
<b>4056</b>	1626094	1626096	1626070	1626072



# Primed Narroline® Windows (1962 to 1970)

Standard Windows

## Insect Screens

### Insect Screen - Full

**Note:**

Use Perma-Shield® Narroline® Full Window Insect Screen to replace Primed Narroline® unit numbers not listed here. Insect screen head pins (two) must be installed on the top rail of the PSLN screen two inches from each side. Insect screen strikes on frame must also be relocated.

### Insect Screen - Full

Unit No.	Dimensions (w x h)	Order No.
20210	23 <sup>7</sup> / <sub>8</sub> × 34 <sup>27</sup> / <sub>32</sub>	1104111
2456	27 <sup>7</sup> / <sub>8</sub> × 66 <sup>27</sup> / <sub>32</sub>	1104129
34210	39 <sup>7</sup> / <sub>8</sub> × 34 <sup>27</sup> / <sub>32</sub>	1104151
4046	47 <sup>7</sup> / <sub>8</sub> × 54 <sup>27</sup> / <sub>32</sub>	1104176
4052	47 <sup>7</sup> / <sub>8</sub> × 62 <sup>27</sup> / <sub>32</sub>	1104178
4056	47 <sup>7</sup> / <sub>8</sub> × 66 <sup>27</sup> / <sub>32</sub>	1104179

### Head Pin - Insect Screen / Full

Order No.
1131408

### Insect Screens - Half

**Note:**

Half insect screens are not available.

## Grilles

---

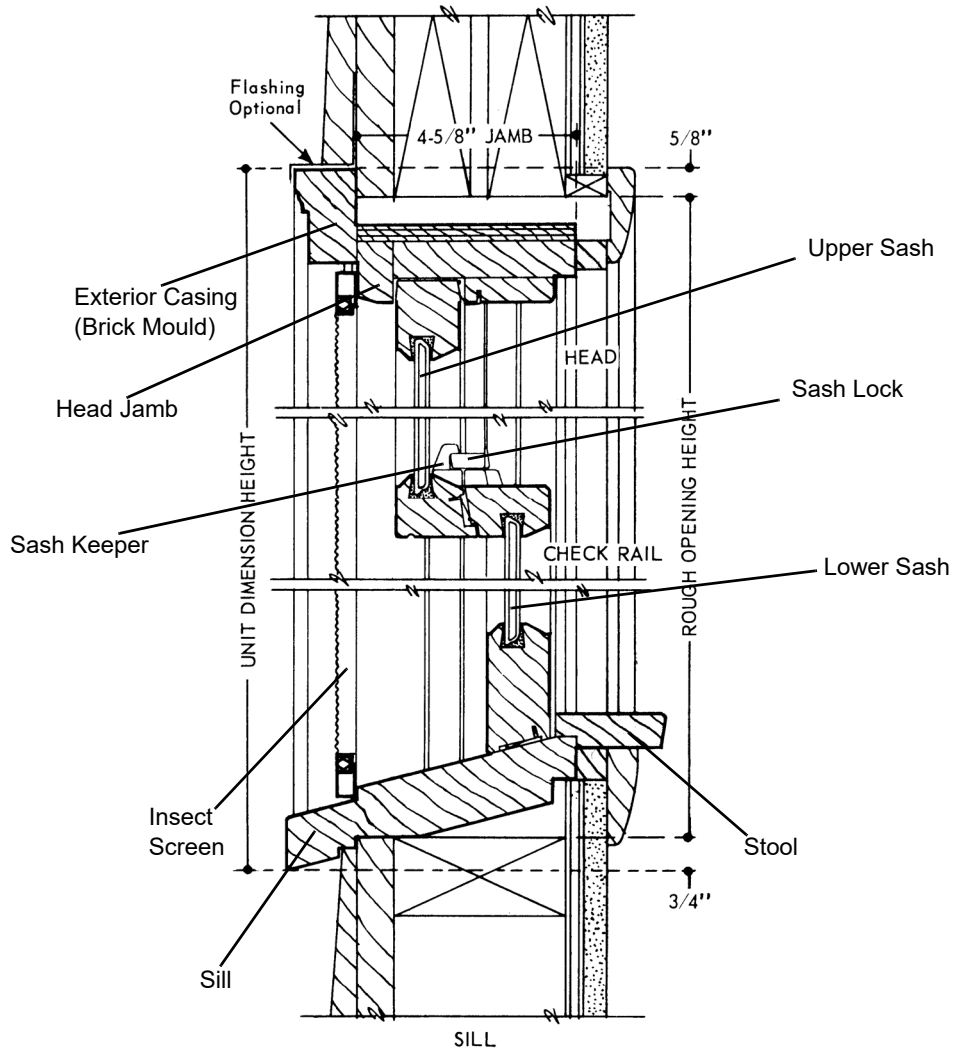
### Interior Grilles

#### Interior Grilles - Colonial / 3/4" Wood

**Note:**

Grilles no longer available. Use current style Perma-Shield® Narroline® grilles as replacement.

Frame Assembly



Primed Narroline® Window Sash and Frame Assembly

## Frames

<b>Jamb Liners</b>			
<b>Note:</b> Order similar or longer length for items N/A and cut to size if necessary.			
<b>Jamb Liner - Upper / Right-Hand</b>			
<b>Note:</b> 52 upper that is N/A will need to replace both upper <b>and</b> lower jamb liner, replacing with a 310 upper and a 56 lower.	Unit No.	Length	Order No.
	210	14 <sup>19</sup> / <sub>32</sub>	1130616
	32	16 <sup>19</sup> / <sub>32</sub>	1130620
	310	20 <sup>19</sup> / <sub>32</sub>	1130624
	42	22 <sup>19</sup> / <sub>32</sub>	1130628
	46	24 <sup>19</sup> / <sub>32</sub>	1130632
	52	28 <sup>19</sup> / <sub>32</sub>	N/A
	56	24 <sup>19</sup> / <sub>32</sub>	N/A
62	20 <sup>19</sup> / <sub>32</sub>	N/A	
<b>Jamb Liner - Lower / Right-Hand</b>			
	Unit No.	Length	Order No.
	210	19 <sup>35</sup> / <sub>64</sub>	1130516
	32	21 <sup>35</sup> / <sub>64</sub>	1130520
	310	25 <sup>35</sup> / <sub>64</sub>	1130524
	42	27 <sup>35</sup> / <sub>64</sub>	1130528
	46	29 <sup>35</sup> / <sub>64</sub>	1130532
	52	33 <sup>35</sup> / <sub>64</sub>	1130536
	56	41 <sup>35</sup> / <sub>64</sub>	1130540
62	53 <sup>35</sup> / <sub>64</sub>	1130544	
<b>Jamb Liner - Full / Left-Hand</b>			
	Unit No.	Length	Order No.
	210	34 <sup>9</sup> / <sub>64</sub>	N/A
	32	38 <sup>9</sup> / <sub>64</sub>	1130320
	310	46 <sup>9</sup> / <sub>64</sub>	1130324
	42	50 <sup>9</sup> / <sub>64</sub>	1130328
	46	54 <sup>9</sup> / <sub>64</sub>	1130332
	52	62 <sup>9</sup> / <sub>64</sub>	1130336
	56	66 <sup>9</sup> / <sub>64</sub>	1130340
62	74 <sup>9</sup> / <sub>64</sub>	1130344	

<b>Frame Parts</b>	
<b>Bumper - Jamb Liner</b>	
	Order No.
	8171001

# Primed Narroline® Windows (1962 to 1970)

Standard Windows

## Hardware

<b>Hardware</b>		
<b>Sash Lock - Flushmount</b>		
	<b>Note:</b> Replace with current style Tilt-Wash lock and keeper. Both lock and keeper are needed as a replacement.	<b>Stone</b>
		N/A
<b>Sash Lift with Screws - Traditional</b>		
		<b>Stone</b>
		1630027
<b>Sash Keeper</b>		
	<b>Note:</b> Replace with current style Tilt-Wash lock and keeper. Both lock and keeper are needed as a replacement.	<b>Stone</b>
		N/A

## Notes

---