

<b>What's in This Section</b>
-------------------------------

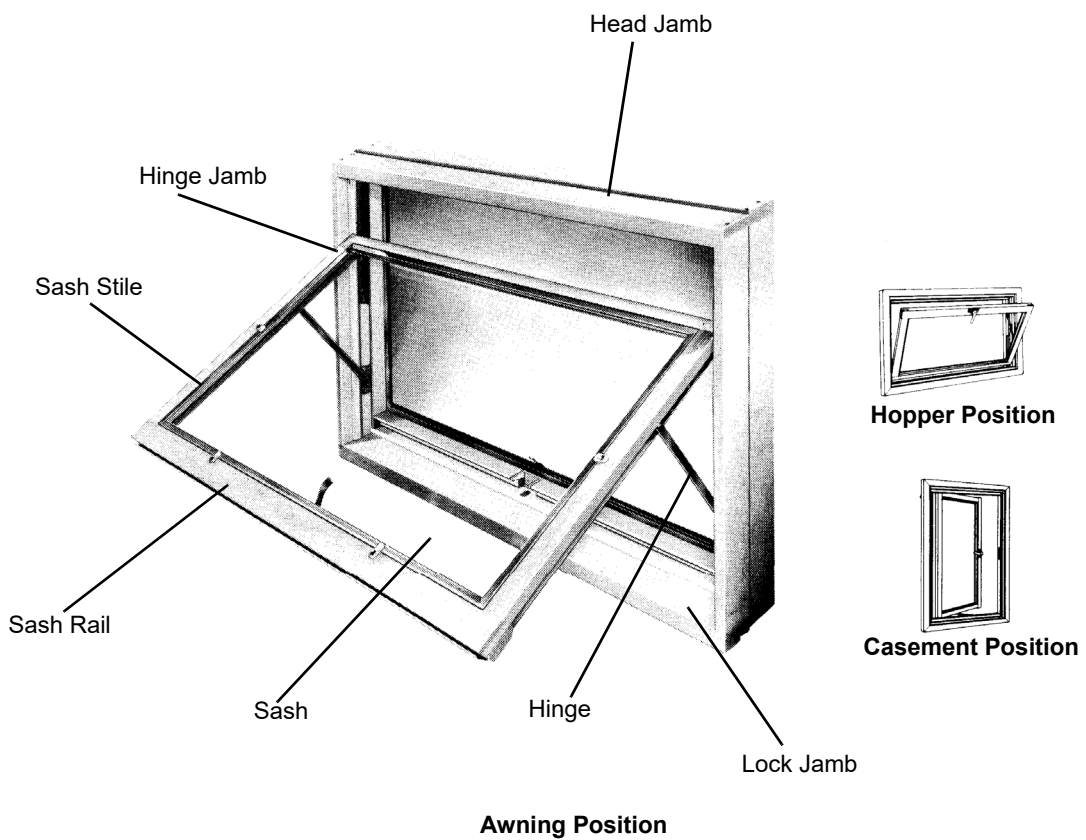
<b>Standard Windows</b> .....	<b>Page 3</b>
<b>Parts Illustration</b> .....	<b>3</b>
<b>Unit Sizes</b> .....	<b>4</b>
Unit Size Chart .....	4
<b>Product History</b> .....	<b>5</b>
Product History .....	5
<b>Sash</b> .....	<b>6</b>
Sash Size Table .....	6
Sash Assembly .....	7
Weatherstrip .....	8
<b>Removable Glazing Panel Parts</b> .....	<b>9</b>
Removable Glazing Panel Parts .....	9
<b>Insect Screens</b> .....	<b>10</b>
Insect Screens - Type U .....	10
<b>Hardware</b> .....	<b>11</b>
Operator - Amerock / Roto-Lock (1959 - 1981) .....	11
Operator - Amerock / Lever Roto-Lock (1968 - 1972) .....	13
Operator - Amerock / Roto-Lock (1955 - 1959) .....	13
Operator - Standard Thompson / Roto-Lock (1954 - 1955) .....	15
Operator - Bar-Lock / Hopper Lock / Snap Lock / Awning Lock (1954 - 1979) .....	16
Hinge Hardware .....	18
<b>Frames</b> .....	<b>19</b>
Frame Assembly .....	19
Stops .....	20



**Unit Parts**

**Note:**

When Flexivent unit is installed in the inswing (hopper) position, priming will appear on interior of frame and sash. Limited replacement parts are available. Construction is all wood.



**Manufactured 1952 to 1979**

**Flexivent Window Unit Parts**

*Unit viewed from exterior.*

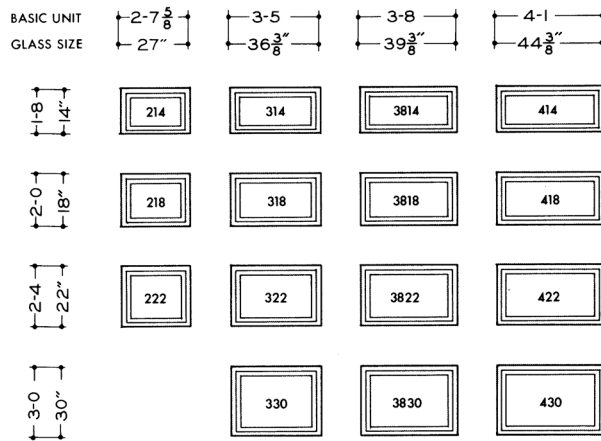
## Unit Sizes

### Unit Size Chart

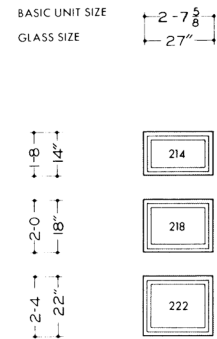
**Note:**

Unit Dim. refers to overall outside-to-outside frame. Rgh. Opg. refers to rough stud opening. Glass size refers to unobstructed (visible) glass dimensions. See [Measuring Visible Glass Video](#).

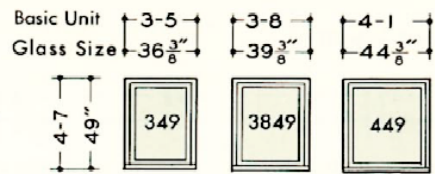
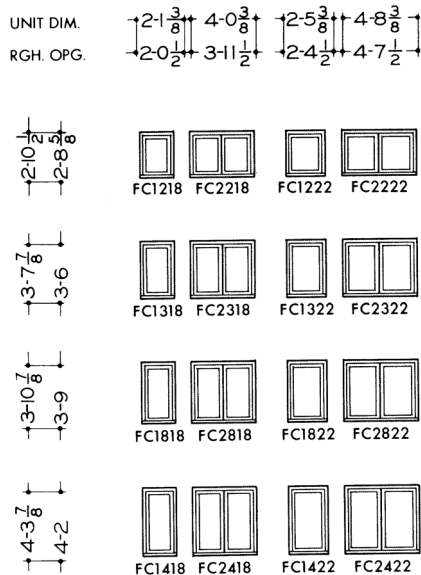
#### Awning Position



#### Basement Position



#### Casement Position



#### Flexivent Window Unit Sizes

Unit viewed from exterior.

## Product History

### Product History

- 2018** Replacement sash no longer available.
- 1990** Single pane glass replacement sash no longer available.
- 1979** Flexivent units discontinued.
- 1971** Vinyl weatherstrip introduced.
- 1965** Flexivent Angle Bay units introduced.
- 1961** Baked enamel, silver satin and bronze hardware were added as options to polished chrome finish hardware.
- 1960** A cord wheel attachment, for use with above normal reach roto-lock units, introduced
- 1958** Bar-lock hardware introduced.  
Obscure glass introduced as an optional glazing
- 1957** Andersen Seal-Trim, complete exterior trim set, introduced.
- 1955** Wood frame screens discontinued.
- 1954** Picture window Flexivent units introduced (called Flexiview).  
Removable glazing panels introduced.
- 1953** Flexivent Window unit introduced.

## Sash

### Sash Size Table

#### Sash Size Table - Standard Window / Single Pane Glass

**Note:**

Sash size table provided for identification purposes only. Flexivent replacement sash are not available.

#### Sash Size Table - Standard Window / Dual Pane Insulating Glass

**Note:**

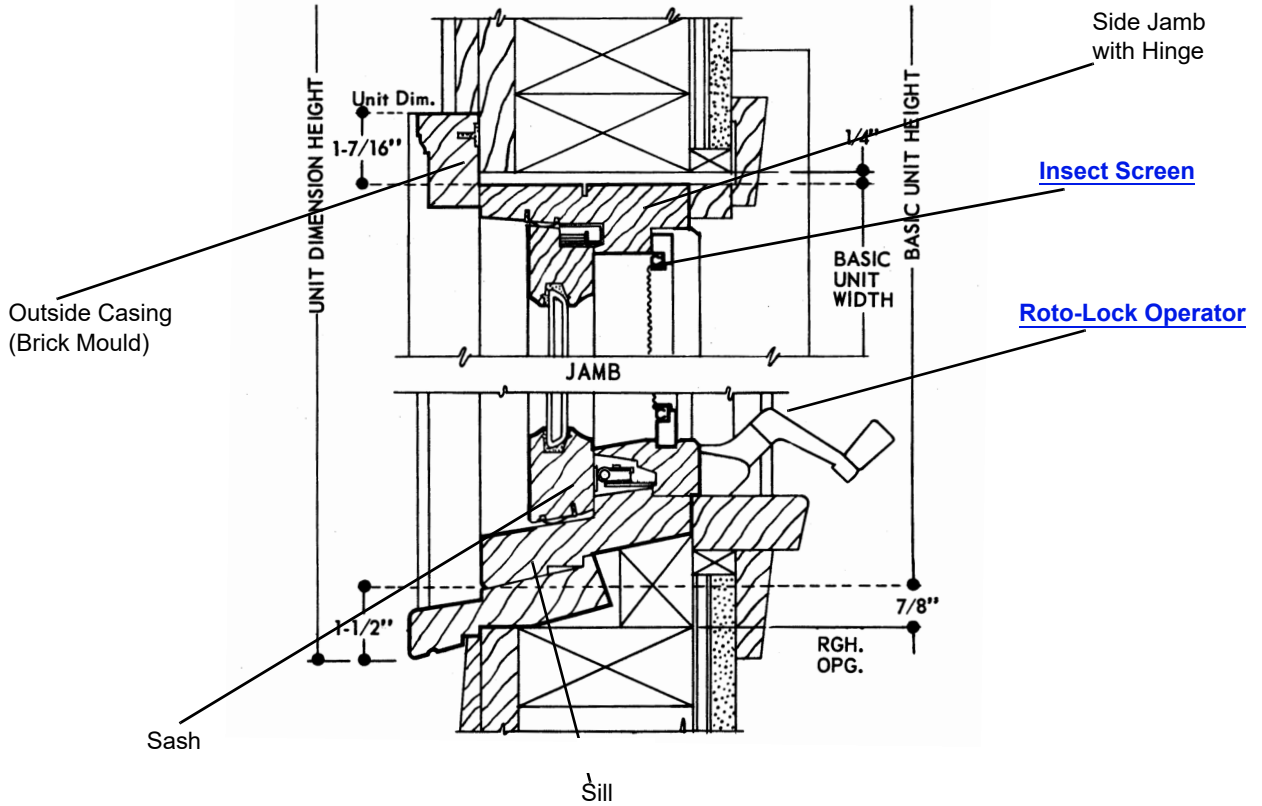
Overall Sash is measured outside edge to outside edge of frame.

Unobstructed Glass is dimension from outside edge to outside edge of visible glass only.

Actual Glass is dimension of outside edge to outside edge of glass, including glass that is not visible.



Unit No.	Overall Sash (w x h)	Unobstructed Glass (w x h)	Actual Glass (w x h)
210	30 1/4 x 13 3/8	26 1/2 x 9 1/2	27 1/4 x 10 1/4
214	30 1/4 x 17 3/8	26 1/2 x 13 1/2	27 1/4 x 14 1/4
218	30 1/4 x 21 3/8	26 1/2 x 17 1/2	27 1/4 x 18 1/4
222	30 1/4 x 25 3/8	26 1/2 x 21 1/2	27 1/4 x 22 1/4
230	30 1/4 x 33 3/8	26 1/2 x 29 1/2	27 1/4 x 30 1/4
314	39 5/8 x 17 3/8	35 3/4 x 13 1/2	36 5/8 x 14 1/4
318	39 5/8 x 21 3/8	35 3/4 x 17 1/2	36 5/8 x 18 1/4
322	39 5/8 x 25 3/8	35 3/4 x 21 1/2	36 5/8 x 22 1/4
330	39 5/8 x 33 3/8	35 3/4 x 29 1/2	36 5/8 x 30 1/4
349	39 5/8 x 52 3/8	35 3/4 x 48 1/2	36 5/8 x 49 1/4
3810	42 5/8 x 13 3/8	39 1/8 x 9 3/4	39 5/8 x 10 1/4
3814	42 5/8 x 17 3/8	39 1/8 x 13	39 5/8 x 14 1/4
3818	42 5/8 x 21 3/8	39 1/8 x 17	39 5/8 x 18 1/4
3822	42 5/8 x 25 3/8	38 7/8 x 21 1/2	39 5/8 x 22 1/4
3830	42 5/8 x 33 3/8	38 7/8 x 29 1/2	39 5/8 x 30 1/4
3849	42 5/8 x 52 3/8	38 7/8 x 48 1/2	39 5/8 x 49 1/4
414	47 5/8 x 17 3/8	43 3/4 x 13 1/2	44 5/8 x 14 1/4
418	47 5/8 x 21 3/8	43 3/4 x 17 1/2	44 5/8 x 18 1/4
422	47 5/8 x 25 3/8	43 3/4 x 21 1/2	44 5/8 x 22 1/4
430	47 5/8 x 33 3/8	43 3/4 x 29 1/2	44 5/8 x 30 1/4
449	47 5/8 x 52 3/8	43 3/4 x 48 1/2	44 5/8 x 49 1/4

Sash Assembly




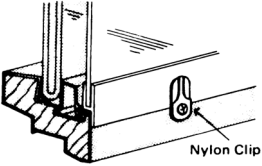
Flexivent Window Sash and Frame Assembly

## Sash

<b>Weatherstrip</b>			
<b>Weatherstrip - Side Jamb</b>			
		Unit No.	Order No.
		10	0355208
		14	0355212
		18	0355216
		22	0355220
		30/40	0355222
		49	0355224
<b>Weatherstrip - Hinge Jamb</b>			
		Unit No.	Order No.
		2	0354608
		3	N/A
		38	0354616
		4	0354620
<b>Weatherstrip - Lock Rail</b>			
		Unit No.	Order No.
		2	0354008
		3	0354012
		38	0354016
		4	0354020



Removable Glazing Panel Parts

Removable Glazing Panel Parts		
Buttons and Screws - Removable Glazing Panel		
<p><b>REPLACEMENT GLAZING PANEL RETAINER CLIP</b></p>  <p>Truss Hd. Screw, Nylon Clip</p>  <p>Nylon Clip</p>	<p><b>Note:</b> Clips (8), screws (8).</p>	<p><b>Order No.</b> 0338408</p>

## Insect Screens

### Insect Screens - Type U

**Note:**

Type U insect screens are used with Roto-Lock (see [page 11](#)) and Lever Roto-Lock operator (see [page 13](#)) style units. Screens wider than 41 7/8 use two wing blades.

### Insect Screen - Type U

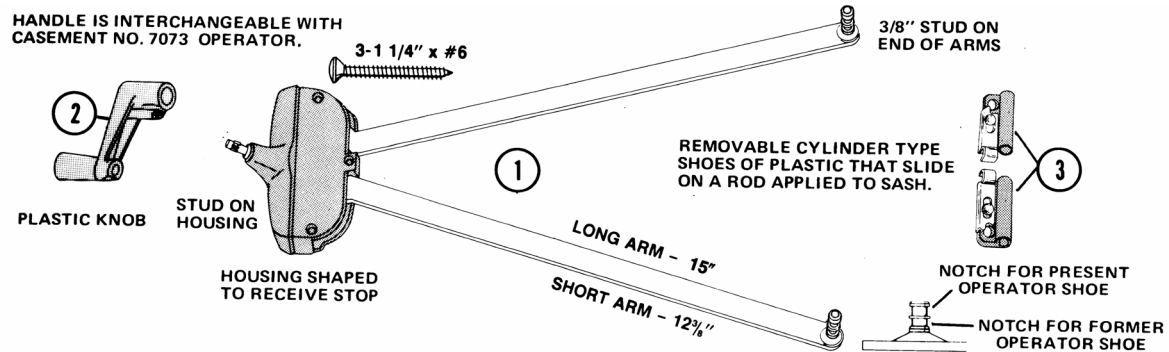


Unit No.	Dimensions (w x h)	Wing Blades	Stone	Unit No.	Dimensions (w x h)	Wing Blades	Stone
<b>210</b>	29 1/2 x 12 1/16	1	8071101	<b>3814</b>	41 7/8 x 16 1/16	1	8071105
<b>214</b>	29 1/2 x 16 1/16		0325712	<b>3818</b>	41 7/8 x 20 1/16		8071106
<b>218</b>	29 1/2 x 20 1/16		0325716	<b>3822</b>	41 7/8 x 24 1/16		8071107
<b>222</b>	29 1/2 x 24 1/16		0325720	<b>3830</b>	41 7/8 x 32 1/16		8071108
<b>230</b>	29 7/8 x 32 1/16		8071102	<b>414</b>	46 7/8 x 16 1/16	2	0325760
<b>314</b>	38 7/8 x 16 1/16		0325724	<b>418</b>	46 7/8 x 20 1/16		0325764
<b>318</b>	38 7/8 x 20 1/16		0325728	<b>422</b>	46 7/8 x 24 1/16		0325768
<b>322</b>	38 7/8 x 24 1/16		0325732	<b>430</b>	46 7/8 x 32 1/16		8077109
<b>330</b>	38 7/8 x 32 1/16		8071103				
<b>3810</b>	41 7/8 x 12 1/16		8071104				

**Operator - Amerock / Roto-Lock (1959 - 1981)**

**Note:**

The short arm handle is standard. The long arm handle is used if a special stool has been applied to the sill and additional clearance is needed for the handle.





Manufactured June 1959 to October 1981

**Amerock Roto-Lock Hardware**

**Roto-Lock Operator Picture (1959 to 1981) Ref. No. 1**



## Hardware

<b>Operator Set - Amerock / Roto-Lock</b> (June 1959 to October 1981) Ref. No. 1				
	<b>Note:</b> Operator set includes operator, handle, sash rod, and sash brackets (sash rod not pictured). 2 and 3 widths use short arm, 38 and 4 widths use long arm. Sizes shown in size grid, see <a href="#">page 4</a> .	<b>Description</b>	<b>Bronze</b>	
		Short Arm	0333808	
		Long Arm	0333908	
<b>Handle - Amerock / Roto-Lock</b> (June 1959 to October 1981) Ref. No. 2				
 Short  Long	<b>Note:</b> Long arm handle is used if a special stool has been applied to the sill and extra clearance is needed for the handle. (Bronze shown)	<b>Description</b>	<b>Finish</b>	<b>Order No.</b>
		Short Shank	Bronze	0536011
			Silver Satin	1361008
Long Shank	Bronze	0532308		
<b>Rod - Amerock / Roto-Lock</b> (June 1959 to October 1981)				
	<b>Note:</b> To replace, order complete operator set which includes rod.	<b>Length</b>	<b>Order No.</b>	
		13 1/2	N/A	
		18 1/2	N/A	
<b>Bracket - Amerock / Roto-Lock / Center Rod</b> (June 1959 to October 1981)				
	<b>Note:</b> Not shown in picture on <a href="#">page 11</a> . Holds sash rods in place at middle of sash.	<b>Order No.</b>		
		0334205		
<b>Shoe - Amerock / Roto-Lock (Pair)</b> (June 1959 to October 1981) Ref. No. 3				
		<b>Bronze</b>		
		0338908		

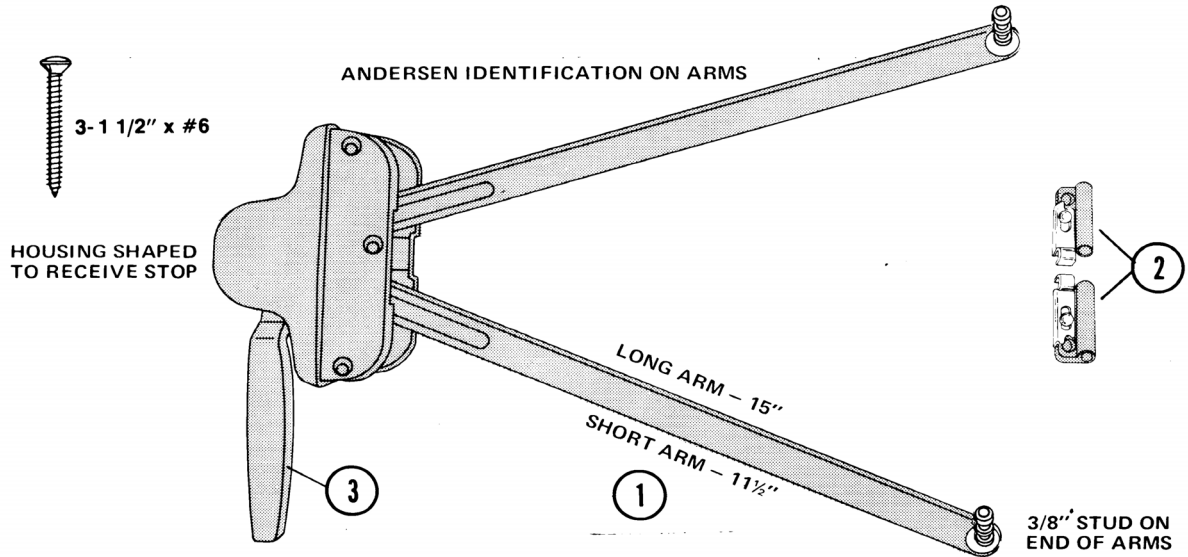
**Operator - Amerock / Lever Roto-Lock (1968 - 1972)**

**Note:**

No longer available. Use Amerock Roto-Lock Hardware (1959 to 1981) for replacement.

[See Illustration, page 12](#)

Specify long arm (15") or short arm (11").



Manufactured 1968 to 1972

Amerock Roto-Lock Hardware

**Operator - Amerock / Roto-Lock (1955 - 1959)**

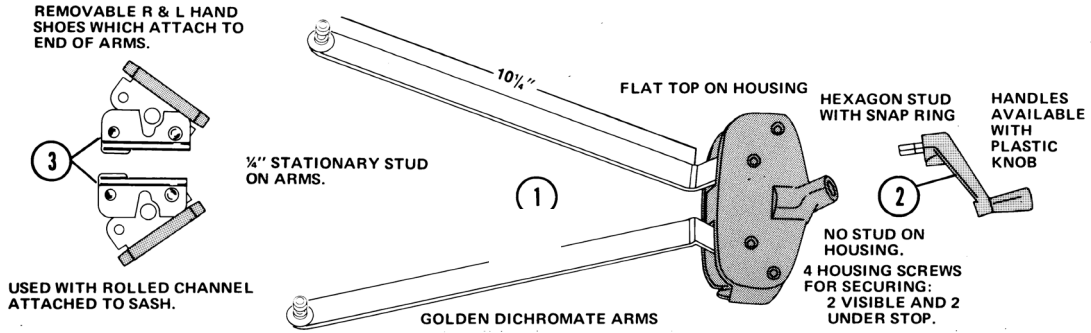
**Note:**

This hardware is no longer available. Use Amerock hardware June 1959 to October 1981 for replacement.

[See Illustration, page 12](#)

# Hardware

## Operator - Amerock / Roto-Lock (1955 - 1959)



Manufactured July 1955 to June 1959

Amerock Hardware

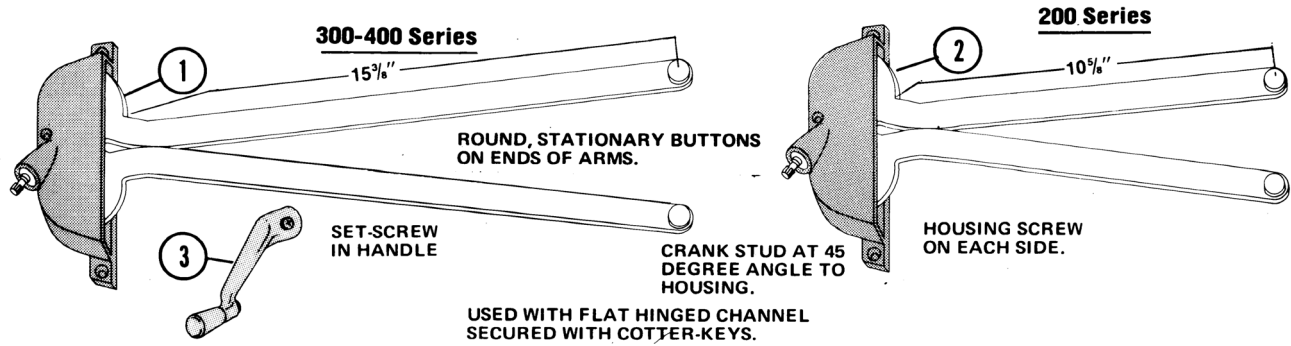
**Operator - Standard Thomson / Roto-Lock (1954 - 1955)**

**Note:**

This operator is no longer available. Use Amerock hardware June 1959 to October 1981 for replacement.

[See Illustration, page 12](#)

When replacing Standard Thomson hardware with Amerock hardware attaching hardware is required. Sill stop may need to be modified.

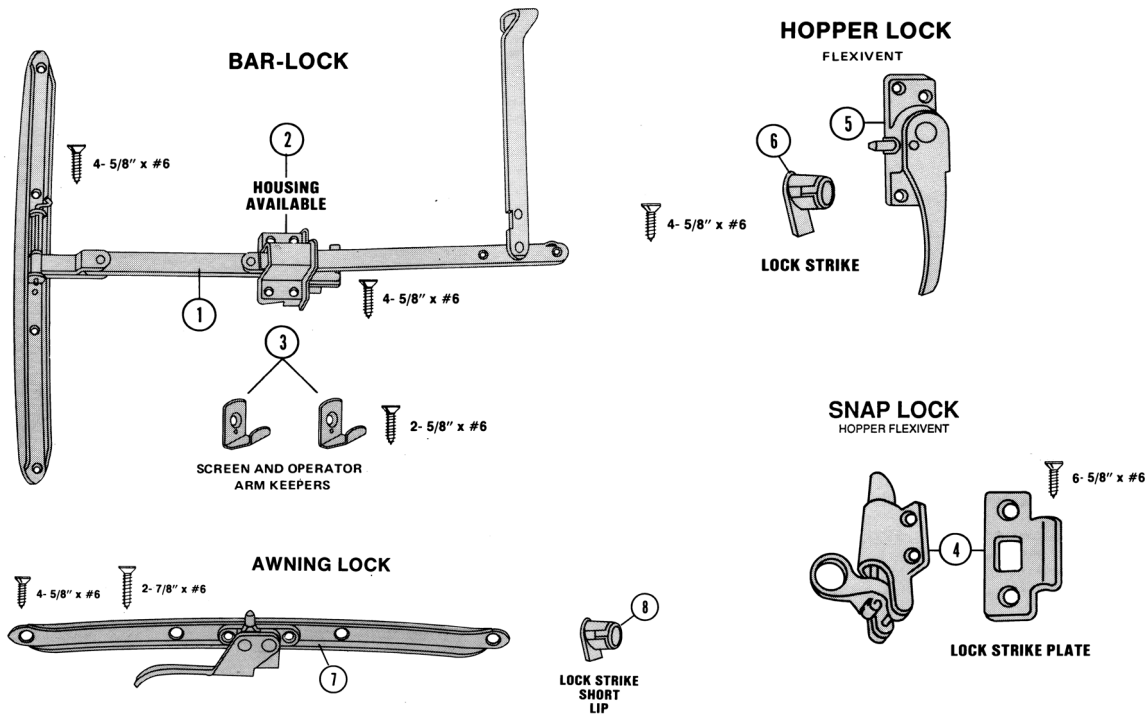


Manufactured March 1954 to July 1955

**Roto-Lock Standard Thomson Operator**

### Hardware

#### Operator - Bar-Lock / Hopper Lock / Snap Lock / Awning Lock (1954 - 1979)



#### Amerock Bar-Lock Hardware

#### Operator - Bar Lock Picture (1954 to 1979) Ref. No. 1, 2 and 3





# Flexivent Windows (1952 to 1979)

Standard Windows

## Hardware

<b>Operator - Amerock / Bar-Lock / No. 7062</b> Ref. No. 1 and 2 <a href="#">page 16</a>		
	<b>Note:</b> Includes housing, clips, and screws.	<b>Bronze</b>
		N/A
<b>Insect Screen and Operator Arm Keepers - Amerock / Bar-Lock</b> Ref. No. 3 <a href="#">page 16</a>		
		<b>Order No.</b>
		N/A
<b>Hopper Sash Lock with Screws</b> Ref. No. 5 <a href="#">page 16</a>		
		<b>Bronze</b>
		N/A
<b>Hopper Lock Strike - Amerock / Bar-Lock / Long Lip</b> Ref. No. 6 <a href="#">page 16</a>		
		<b>Order No.</b>
		N/A
<b>Awning Lock - Amerock / Bar-Lock</b> Ref. No. 7 <a href="#">page 16</a>		
		<b>Bronze</b>
		N/A
<b>Snap Lock - Amerock / Bar-Lock</b> Ref. No. 4 <a href="#">page 16</a>		
		<b>Order No.</b>
		N/A

**Hardware**

**Hinge Hardware (1952 to 1979)**

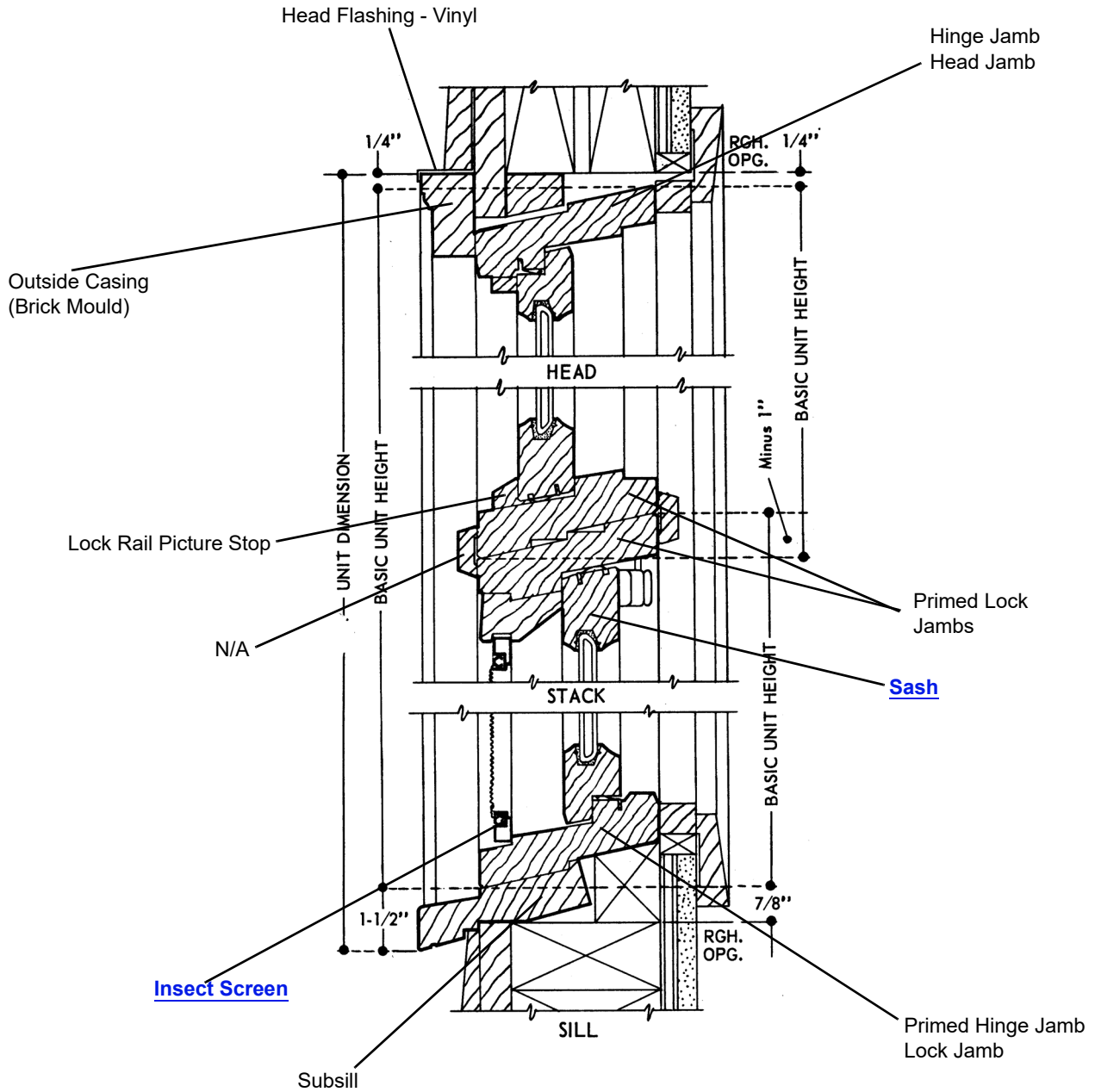
Manufactured 1952 to 1979

**Flexivent Hinge Hardware**

<b>Adjuster Arm Set with Screws (1954 to 1979) Ref. No. 2</b>				
Note:	Adjuster No.	Glass Height	Length of Lower Leg (Rivet to Rivet)	Order No.
No longer available as of 1/1/09.	10A	10	3	N/A
	14B	14 and 16	7 1/2	
	18C	18 and 20	9 1/2	
	22D	22 and 24	11 1/2	
	30E	30	13	

<b>Hinge Set with Screws - Egress (1954 to 1979) Ref. No. 3</b>		Order No.
		N/A
<b>Adjuster Arm Friction Spring (1954 to 1979) Ref. No. 4</b>		Order No.
		N/A

Frame Assembly



Flexivent Window Frame Assembly

## Frames

<b>Stops</b>		
<b>Stop - Standard Window / Awning Lock</b>		
<b>Note:</b> No longer available as of 1/1/09.	<b>Unit No.</b>	<b>Order No.</b>
	A2	N/A
	A3	
	A38	
A4		
<b>Stop - Standard Window / Roto / Lever Lock</b>		
	<b>Unit No.</b>	<b>Order No.</b>
	R2	N/A
	R3	
	R38	
R4		
<b>Stop - Picture Window / Lock / Rail</b>		
<b>Note:</b> No longer available as of 1/1/09.	<b>Unit No.</b>	<b>Order No.</b>
	3	N/A
4		
<b>Stop - Picture Window / Sash</b>		
<b>Note:</b> No longer available as of 1/1/09.	<b>Unit No.</b>	<b>Order No.</b>
	49	N/A