

## What's in This Section

<b>Awning and Casement Windows</b> .....	<b>Page 3</b>
<b>Parts Illustration</b> .....	<b>3</b>
<b>Unit Sizes</b> .....	<b>4</b>
Unit Size Chart .....	4
<b>Product History</b> .....	<b>5</b>
Milestones .....	5
<b>Sash</b> .....	<b>6</b>
Guidelines for Ordering Strutwall Sash .....	6
Sash Size Table - Strutwall Awning .....	7
Sash Size Table - Strutwall Casement .....	9
Sash and Frame Assembly .....	10
<b>Insect Screens</b> .....	<b>11</b>
Insect Screens .....	11
<b>Hardware</b> .....	<b>12</b>
Operator - Bar-Lock / Hopper Lock / Snap Lock / Awning Lock (1954 - 1979) .....	12
Hinge Hardware .....	14



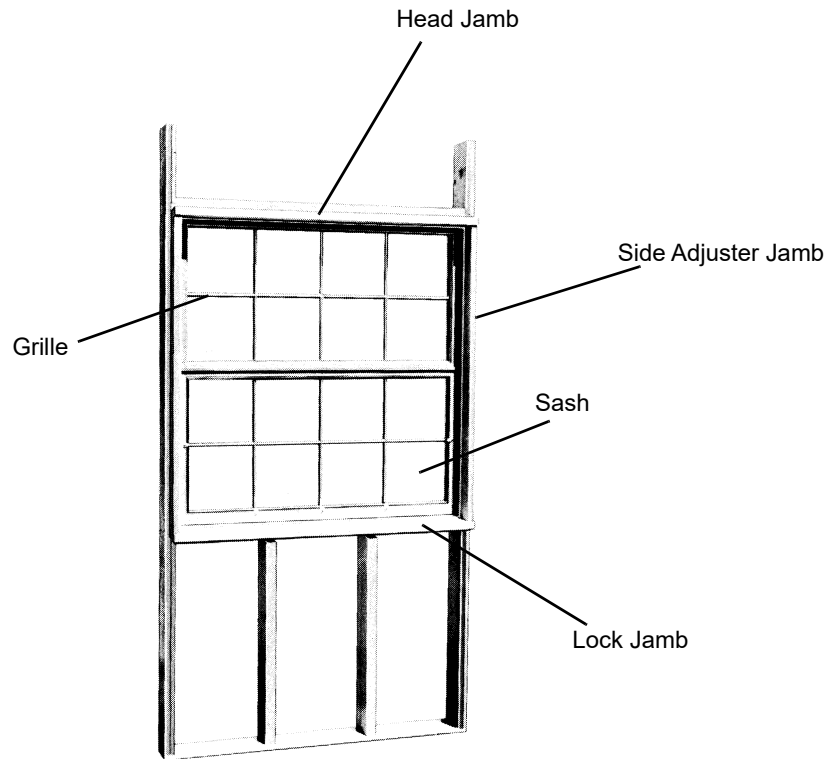
**Awning and Casement Windows**

**Parts Illustration**

**Parts Illustration**

**Note:**

Limited replacement parts are available. Windows are all wood construction.



**Manufactured 1959 to 1965**

**Strutwall Window Unit Parts**

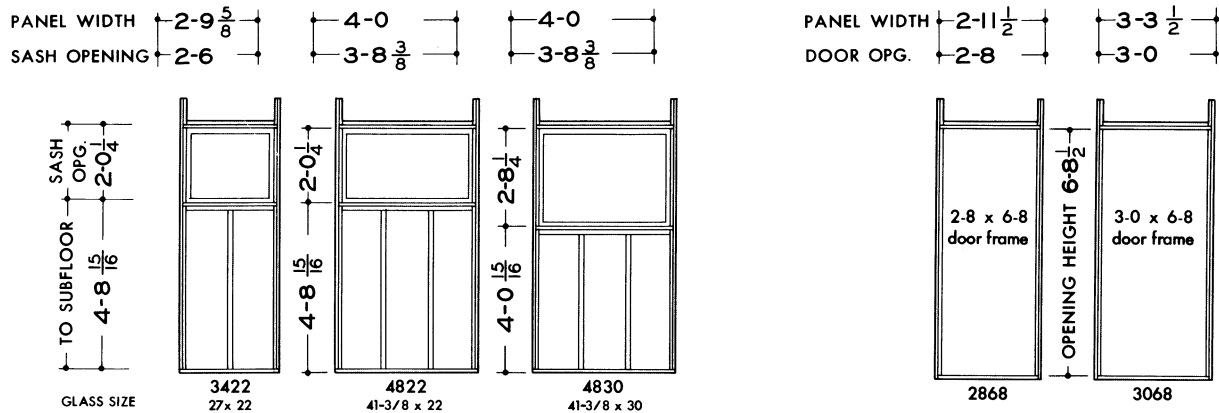
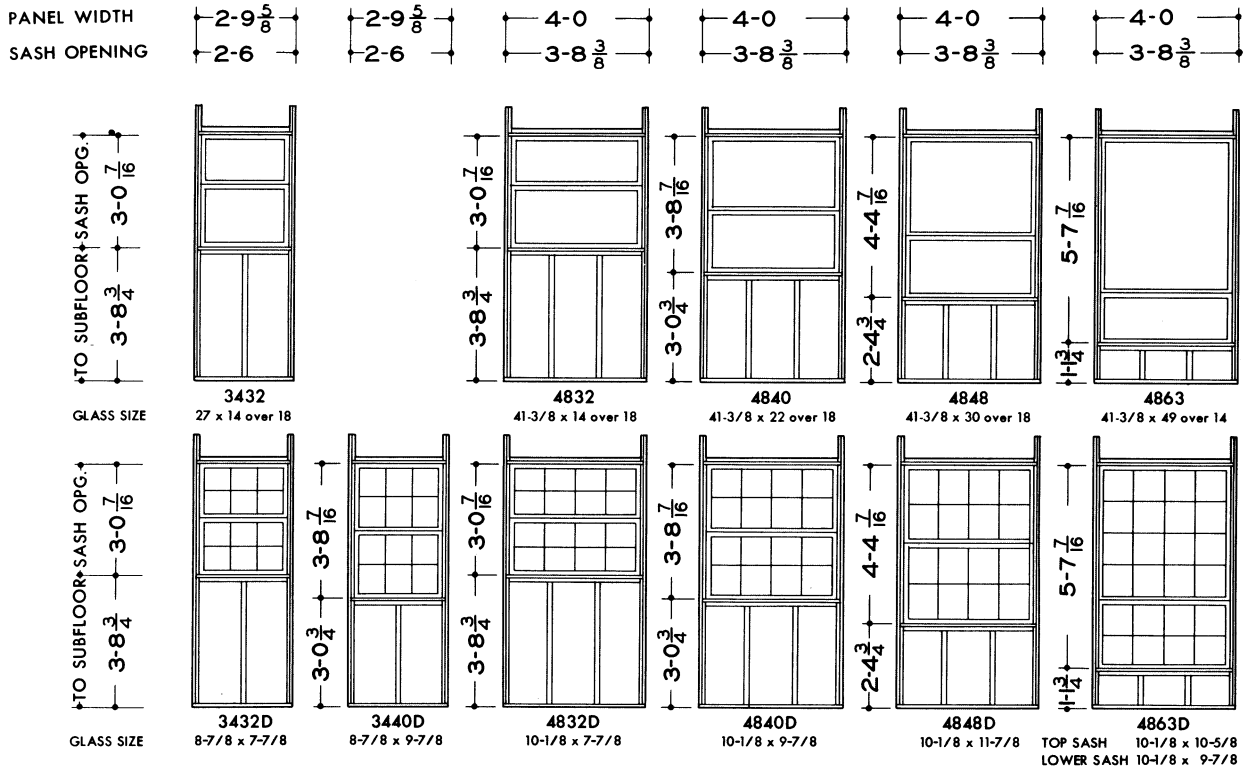
*Unit viewed from exterior.*

## Unit Sizes

### Unit Size Chart

**Note:**

Glass Size refers to unobstructed (visible) glass. Unit numbers with a "D" are divided light sash.



### Strutwall Window Unit Sizes

Unit viewed from exterior.

### Product History

#### Milestones

- 1990** Replacement sash no longer available in single pane glass.
- 1965** Strutwall units discontinued.
- 1962** Grilles for Strutwall units introduced.  
Perma-green finished screens introduced.
- 1961** Baked enamel, silver satin and bronze hardware were added as options to polished chrome finish hardware.  
Alternative fabrication with box headers, sheathing, extrusion jambs and complete priming introduced for Strutwall units.
- 1960** A cord wheel attachment, for use with above normal reach roto-lock units, introduced.
- 1959** Strutwall window introduced.

## Sash

### Guidelines for Ordering Strutwall Sash

**Note:**

The following chart will help you identify the correct sash for a Strutwall window.  
 29 and 41 width sash are found in the Beauty-Line® window section.

Unit No.	Upper Sash	Lower Sash	Unit No.	Upper Sash	Lower Sash
<b>3232</b>	3232	3218	<b>4840</b>	4840	4818
<b>3432</b>	3432	218	<b>4840D</b>	4140	4120
<b>3624</b>	N/A	2924 single unit	<b>4840G</b>	4140	4120
<b>3632</b>	2932	2916	<b>4848</b>	4848	4818
<b>3640</b>	2940	2920	<b>4848D</b>	4148	4124
<b>3848G</b>	2948	2924	<b>4848G</b>	4848	4124
<b>4830</b>	N/A	4130	<b>4850G</b>	4150	4120
<b>4832</b>	4832	4818	<b>4863</b>	4863	4814
<b>4832D</b>	4132	4116	<b>4863D</b>	4163	4120
<b>4832G</b>	4132	4116	<b>4863G</b>	4163	4120

# Strutwall Windows (1959 to 1965)

Awning and Casement Windows

## Sash

### Sash Size Table - Strutwall Awning

**Note:**

Upper/Lower Panel is measured outside edge to outside edge of frame.

Unobstructed Glass is dimension from outside edge to outside edge of visible glass only.

Actual Glass is dimension of outside edge to outside edge of glass, including glass that is not visible.

**Note:**

Unit numbers with a "D" are divided light sash. Unit numbers with a "G" allow grilles to be installed.

### Sash Size Table - Awning Window / Single Pane Glass

Upper or Stationary				Lower or Venting		
Unit No.	Overall Panel	Unobstructed Glass	Actual Glass	Overall Panel	Unobstructed Glass	Actual Glass
3232	28 1/4 x 17	24 3/4 x 13 1/2	25 3/8 x 14	32 1/4 x 21	28 3/4 x 17 1/2	25 3/8 x 18
3422	N/A	N/A	N/A	30 x 25	26 1/2 x 21 1/2	27 x 22
3432	30 x 17	26 1/2 x 13 1/2	27 x 14	30 x 21	26 1/2 x 17 1/2	27 x 18
3432D	N/A	N/A	8 7/8 x 7 7/8	N/A	N/A	8 7/8 x 7 7/8
3440D	N/A	N/A	8 7/8 x 9 7/8	N/A	N/A	8 7/8 x 9 7/8
3624G	N/A	N/A	N/A	32 1/4 x 27	28 3/4 x 23 1/2	29 3/8 x 24
3632G	32 1/4 x 19	28 3/4 x 15 1/2	29 3/8 x 16	32 1/4 x 19	28 3/4 x 15 1/2	29 3/8 x 16
3640G	32 1/4 x 23	28 3/4 x 19 1/2	29 3/8 x 20	32 1/4 x 23	28 3/4 x 19 1/2	29 3/8 x 20
3648G	32 1/4 x 27	28 3/4 x 23 1/2	29 3/8 x 20	32 1/4 x 27	28 3/4 x 23 1/2	29 3/8 x 24
4822	N/A	N/A	N/A	44 1/4 x 25	40 3/4 x 21 1/2	41 3/8 x 22
4824G	N/A	N/A	N/A	44 1/4 x 27	40 3/4 x 23 1/2	41 3/8 x 24
4830	N/A	N/A	N/A	44 1/4 x 33	40 3/4 x 29 1/2	41 3/8 x 30
4830G	N/A	N/A	N/A	44 1/4 x 33	40 3/4 x 29 1/2	41 3/8 x 30
4832	44 1/4 x 17	40 3/4 x 13 1/2	41 3/8 x 18	44 1/4 x 21	40 3/4 x 17 1/2	41 3/8 x 18
4832D	N/A	N/A	10 1/8 x 7 7/8	N/A	N/A	10 1/8 x 7 7/8
4832G	44 1/4 x 19	40 3/4 x 15 1/2	41 3/8 x 16	44 1/4 x 19	40 3/4 x 15 1/2	41 3/8 x 16
4840	44 1/4 x 25	40 3/4 x 21 1/2	41 3/8 x 22	44 1/4 x 21	40 3/4 x 17 1/2	41 3/8 x 18
4840D	N/A	N/A	10 1/8 x 9 7/8	N/A	N/A	10 1/8 x 9 7/8
4840G	44 1/4 x 23	40 3/4 x 19 1/2	41 3/8 x 20	44 1/4 x 23	40 3/4 x 19 1/2	41 3/8 x 20
4848	44 1/4 x 33 1/2	40 3/4 x 29 1/2	41 3/8 x 30	44 1/4 x 21	40 3/4 x 17 1/2	41 3/8 x 18
4848D	N/A	N/A	10 1/8 x 11 7/8	N/A	N/A	10 1/8 x 11 7/8
4848G	44 1/4 x 27 1/2	40 3/4 x 23 1/2	41 3/8 x 24	44 1/4 x 27	40 3/4 x 23 1/2	41 3/8 x 24
4850G	44 1/4 x 33 1/2	40 3/4 x 29 1/2	41 3/8 x 30	44 1/4 x 23	40 3/4 x 19 1/2	41 3/8 x 20
4863	44 1/4 x 52 1/2	40 3/4 x 48 1/2	41 3/8 x 49	44 1/4 x 17	40 3/4 x 13 1/2	41 3/8 x 14
4863D	N/A	N/A	10 1/8 x 10 7/8	N/A	N/A	10 1/8 x 9 7/8
4863G	44 1/4 x 46	40 3/4 x 42 1/2	41 3/8 x 43	44 1/4 x 23	40 3/4 x 19 1/2	41 3/8 x 20

## Sash

Sash Size Table - Awning Window / Welded / Dual Pane Insulating Glass						
Upper or Stationary				Lower or Venting		
Unit No.	Overall Panel	Unobstructed Glass	Actual Glass	Overall Panel	Unobstructed Glass	Actual Glass
3232	28 1/4 x 17	24 3/4 x 13 1/2	25 3/8 x 14 1/4	25 1/4 x 17	24 3/4 x 13 1/2	25 5/8 x 18 1/4
3422	N/A	N/A	N/A	30 x 25	26 1/2 x 21 1/2	27 1/4 x 22 1/4
3432	30 1/4 x 17	26 1/2 x 13 1/2	27 1/4 x 14 1/4	30 x 21	26 1/2 x 17 1/2	27 1/4 x 18 1/4
3432D	N/A	N/A	N/A	N/A	N/A	N/A
3440D	N/A	N/A	N/A	N/A	N/A	N/A
3624G	N/A	N/A	N/A	32 1/4 x 27	28 3/4 x 23 1/2	29 5/8 x 24 1/4
3632G	32 1/4 x 19 1/4	28 3/4 x 15 3/4	29 5/8 x 16 1/4	32 1/4 x 19	28 3/4 x 15 1/2	29 5/8 x 16 1/4
3640G	32 1/4 x 23 1/4	28 3/4 x 19 3/4	29 5/8 x 20 1/4	32 1/4 x 23	28 3/4 x 19 1/2	29 5/8 x 20 1/4
3648G	32 1/4 x 27 1/4	28 3/4 x 23 3/4	29 5/8 x 20 1/4	32 1/4 x 27	28 3/4 x 23 1/2	29 5/8 x 24 1/4
4822	N/A	N/A	N/A	44 1/4 x 25	40 3/4 x 21 1/2	41 5/8 x 22 1/4
4824G	N/A	N/A	N/A	44 1/4 x 27	40 3/4 x 23 1/2	41 5/8 x 24 1/4
4830	N/A	N/A	N/A	44 1/4 x 33	40 3/4 x 29 1/2	41 5/8 x 30 1/4
4830G	N/A	N/A	N/A	44 1/4 x 33	40 3/4 x 29 1/2	41 5/8 x 30 1/4
4832	44 1/4 x 17	40 3/4 x 13 1/2	41 5/8 x 14 1/4	44 1/4 x 21	40 3/4 x 17 1/2	41 5/8 x 18 1/4
4832D	N/A	N/A	N/A	N/A	N/A	N/A
4832G	44 1/4 x 19	40 3/4 x 15 1/2	41 5/8 x 16 1/4	44 1/4 x 19	40 3/4 x 15 1/2	41 5/8 x 16 1/4
4840	44 1/4 x 25	40 3/4 x 21 1/2	41 5/8 x 22 1/4	44 1/4 x 21	40 3/4 x 17 1/2	41 5/8 x 18 1/4
4840D	N/A	N/A	N/A	N/A	N/A	N/A
4840G	44 1/4 x 23	40 3/4 x 19 1/2	41 5/8 x 20 1/4	44 1/4 x 23	40 3/4 x 19 1/2	41 5/8 x 20 1/4
4848	44 1/4 x 33	40 3/4 x 29 1/2	41 5/8 x 30 1/4	44 1/4 x 21	40 3/4 x 17 1/2	41 5/8 x 18 1/4
4848D	N/A	N/A	N/A	N/A	N/A	N/A
4848G	44 1/4 x 27	40 3/4 x 23 1/2	41 5/8 x 24 1/4	44 1/4 x 27	40 3/4 x 23 1/2	41 5/8 x 24 1/4
4850G	44 1/4 x 33	40 3/4 x 29 1/2	41 5/8 x 30 1/4	44 1/4 x 23	40 3/4 x 19 1/2	41 5/88 x 20 1/4
4863	44 1/4 x 52	40 3/4 x 48 1/2	41 5/8 x 49 1/4	44 1/4 x 16 3/4	40 3/4 x 13 1/2	41 5/8 x 14 1/4
4863D	N/A	N/A	N/A	N/A	N/A	N/A
4863G	44 1/4 x 46	40 3/4 x 42 1/2	41 5/8 x 43 1/4	44 1/4 x 23	40 3/4 x 19 1/2	41 5/8 x 20 1/4



## Sash

### Sash Size Table - Strutwall Casement

**Note:**

Upper/Lower Panel is measured outside edge to outside edge of frame.

Unobstructed Glass is dimension from outside edge to outside edge of visible glass only.

Actual Glass is dimension of outside edge to outside edge of glass, including glass that is not visible.

**Note:**

Unit numbers with a "D" are divided light sash. Unit numbers with a "G" allow grilles to be installed.

### Sash Size Table - Casement Window / Single Pane Glass

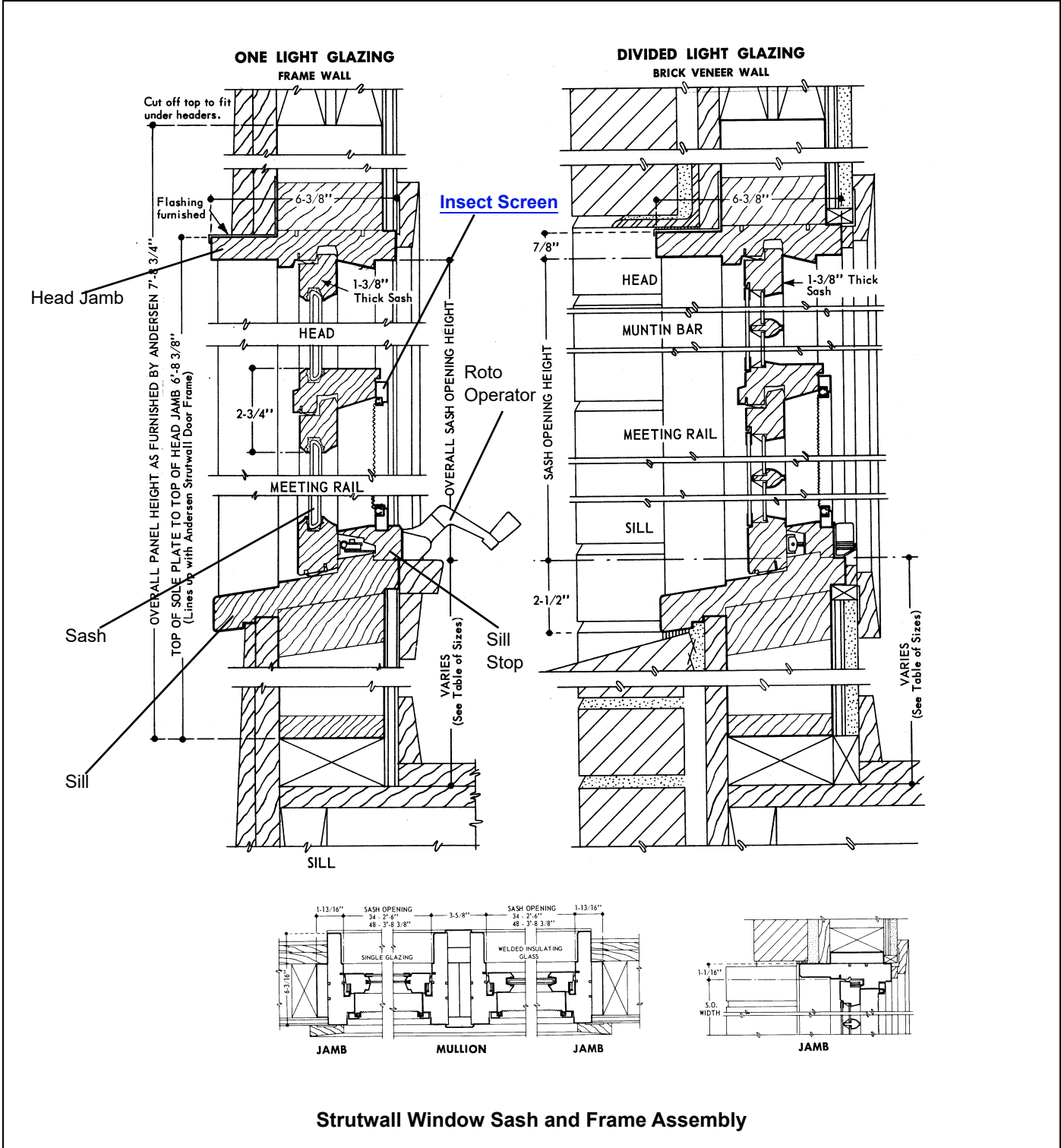
Upper or Stationary				Lower or Venting		
Unit No.	Overall Panel	Unobstructed Glass	Actual Glass	Overall Panel	Unobstructed Glass	Actual Glass
2729G	N/A	N/A	N/A	23 × 32 1/4	19 1/2 × 28 3/4	20 × 29 3/8
4829G	23 × 32 1/4	19 1/2 × 28 3/4	20 × 29 3/8	23 × 32 1/4	19 1/2 × 28 3/4	20 × 29 3/8
7229G	46 × 32 1/4	42 1/2 × 28 3/4	43 × 29 3/8	23 × 32 1/4	19 1/2 × 28 3/4	20 × 29 3/8
2741G	N/A	N/A	N/A	23 × 44 1/4	19 1/2 × 40 3/4	20 × 41 3/8
4841G	23 × 44 1/4	19 1/2 × 40 3/4	20 × 41 3/8	23 × 44 1/4	19 1/2 × 40 3/4	20 × 41 3/8
7241G	46 × 44 1/4	42 1/2 × 40 3/4	43 × 41 3/8	23 × 44 1/4	19 1/2 × 40 3/4	20 × 41 3/8

### Sash Size Table - Casement Window / Welded / Dual Pane Glass

Upper or Stationary				Lower or Venting		
Unit No.	Overall Panel	Unobstructed Glass	Actual Glass	Overall Panel	Unobstructed Glass	Actual Glass
2729G	N/A	N/A	N/A	23 × 32 1/4	19 1/2 × 28 3/4	20 1/4 × 29 5/8
4829G	23 × 32 1/4	19 1/2 × 28 3/4	20 1/4 × 29 5/8	23 × 32 1/4	19 1/2 × 28 3/4	20 1/4 × 29 5/8
7229G	46 × 32 1/4	42 1/2 × 28 3/4	43 1/4 × 29 5/8	23 × 32 1/4	19 1/2 × 28 3/4	20 1/4 × 29 5/8
2741G	N/A	N/A	N/A	23 × 44 1/4	19 1/2 × 40 3/4	20 1/4 × 41 5/8
4841G	23 × 44 1/4	19 1/2 × 40 3/4	20 1/4 × 41 5/8	23 × 44 1/4	19 1/2 × 40 3/4	20 1/4 × 41 5/8
7241G	23 × 44 1/4	19 1/2 × 40 3/4	43 1/4 × 41 5/8	23 × 44 1/4	19 1/2 × 40 3/4	20 1/4 × 41 5/8

# Sash

## Sash and Frame Assembly



Strutwall Window Sash and Frame Assembly

# Strutwall Windows (1959 to 1965)

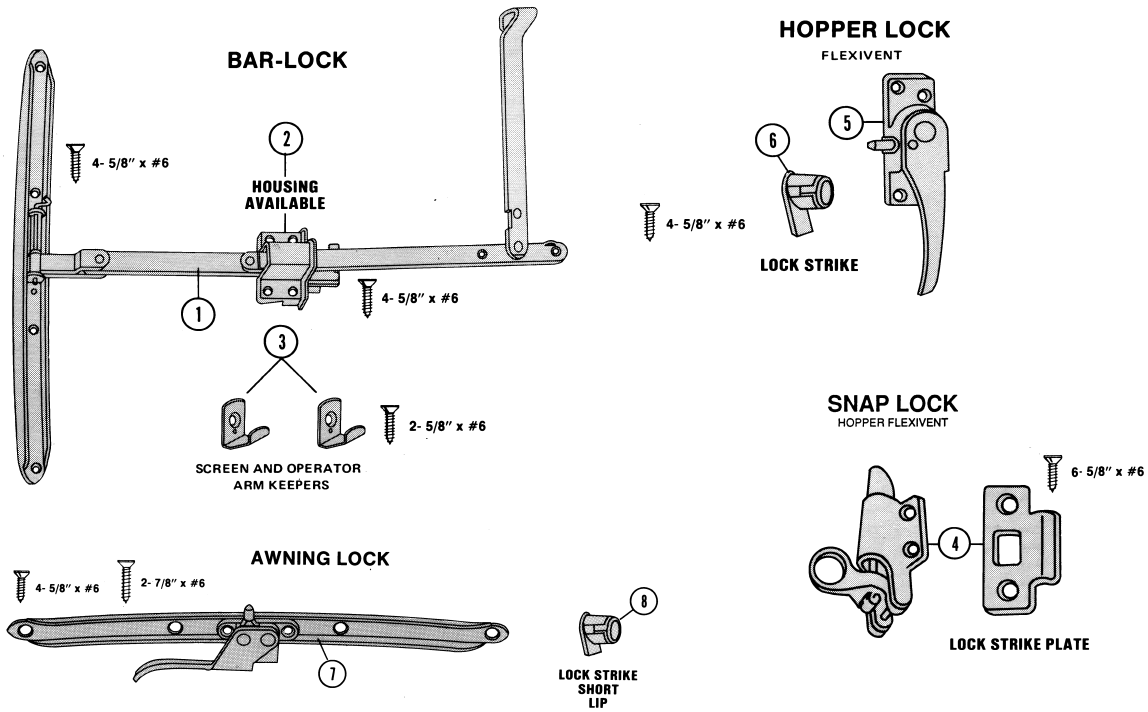
Awning and Casement Windows

## Insect Screens

Insect Screens				
Insect Screen - Regular				
	<b>Note:</b> Use when no stops are applied.	Unit No.	Dimensions (w x h)	Order No.
		3218	28 <sup>3</sup> / <sub>16</sub> × 21 <sup>1</sup> / <sub>32</sub>	N/A
		4814	44 <sup>3</sup> / <sub>16</sub> × 17 <sup>1</sup> / <sub>32</sub>	N/A
		4818	44 <sup>3</sup> / <sub>16</sub> × 21 <sup>1</sup> / <sub>32</sub>	N/A
		4822	44 <sup>3</sup> / <sub>16</sub> × 24 <sup>1</sup> / <sub>8</sub>	N/A
		4830	44 <sup>3</sup> / <sub>16</sub> × 32 <sup>1</sup> / <sub>8</sub>	N/A
Insect Screen - Bar-Lock				
	<b>Note:</b> Use with Bar-Lock Operator.	Unit No.	Dimensions (w x h)	Order No.
		3218	28 <sup>3</sup> / <sub>16</sub> × 21 <sup>1</sup> / <sub>32</sub>	N/A
		4814	44 <sup>3</sup> / <sub>16</sub> × 17 <sup>1</sup> / <sub>32</sub>	N/A
		4818	44 <sup>3</sup> / <sub>16</sub> × 21 <sup>1</sup> / <sub>32</sub>	N/A
		4822	44 <sup>3</sup> / <sub>16</sub> × 24 <sup>1</sup> / <sub>8</sub>	N/A
		4830	44 <sup>3</sup> / <sub>16</sub> × 32 <sup>1</sup> / <sub>8</sub>	N/A
Insect Screen - Roto-Lock				
	<b>Note:</b> Use with Roto-Lock Hardware.	Unit No.	Dimensions (w x h)	Order No.
		3218	28 <sup>9</sup> / <sub>32</sub> × 20 <sup>1</sup> / <sub>16</sub>	N/A
		4814	44 <sup>9</sup> / <sub>32</sub> × 16 <sup>1</sup> / <sub>16</sub>	N/A
		4818	44 <sup>9</sup> / <sub>32</sub> × 20 <sup>1</sup> / <sub>16</sub>	N/A
		4822	44 <sup>9</sup> / <sub>32</sub> × 23 <sup>5</sup> / <sub>32</sub>	N/A
Insect Screen - Type U				
	<b>Note:</b> Type U insect screens are universal insect screens. Can be used with all units with sill stops.	Unit No.	Dimensions (w x h)	Order No.
		3218	27 <sup>7</sup> / <sub>8</sub> × 20 <sup>1</sup> / <sub>16</sub>	N/A
		4814	43 <sup>7</sup> / <sub>8</sub> × 16 <sup>1</sup> / <sub>16</sub>	N/A
		4818	43 <sup>7</sup> / <sub>8</sub> × 20 <sup>1</sup> / <sub>16</sub>	N/A
		4822	43 <sup>9</sup> / <sub>32</sub> × 20 <sup>1</sup> / <sub>16</sub>	N/A
		4830	43 <sup>9</sup> / <sub>32</sub> × 23 <sup>5</sup> / <sub>32</sub>	N/A

**Hardware**

**Operator - Bar-Lock / Hopper Lock / Snap Lock / Awning Lock (1954 - 1979)**



**Amerock Bar-Lock Hardware**


**Operator - Bar Lock Picture (1954 to 1979) Ref. No. 1, 2 and 3**



# Strutwall Windows (1959 to 1965)

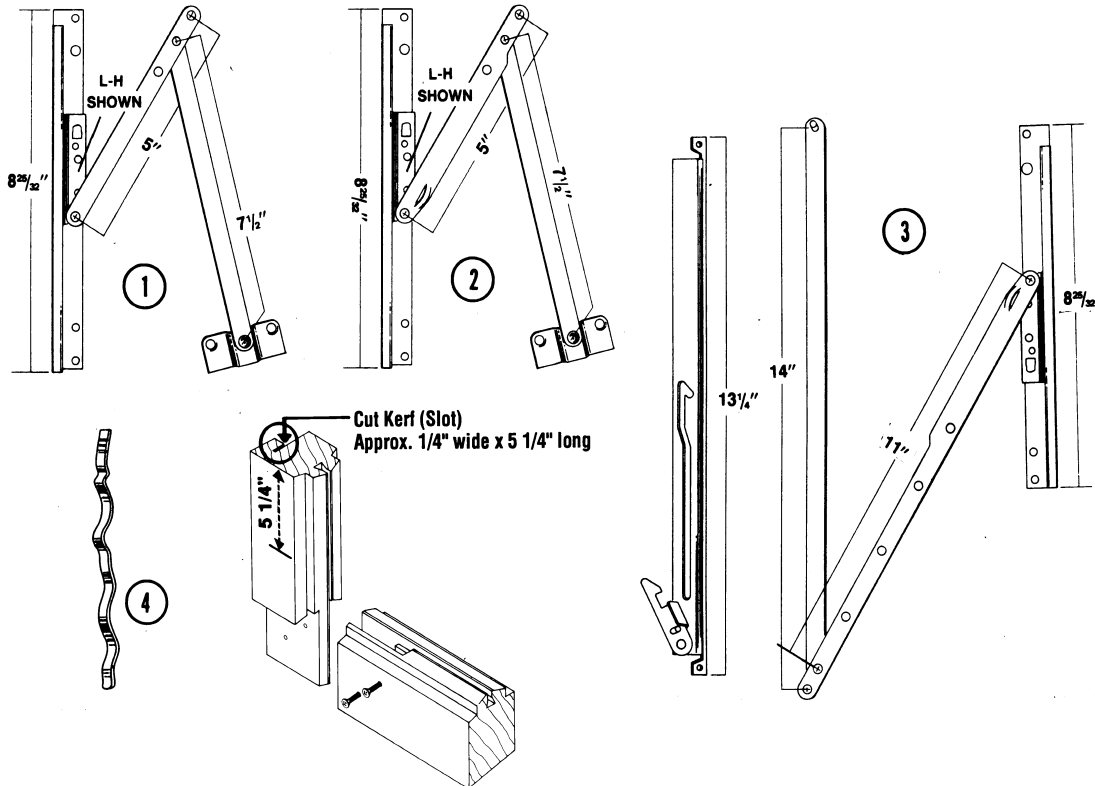
Awning and Casement Windows

## Hardware

Operator - Amerock / Bar-Lock / No. 7062 Ref. No. 1, 2 and 3 <a href="#">page 12</a>		
 <p>parts.anderssonwindows.com</p>	<p><b>Note:</b> Includes housing, clips and screws.</p>	<p><b>Bronze</b></p> <p>N/A</p>
Insect Screen and Operator Arm Keepers - Amerock / Bar-Lock Ref. No. 3 <a href="#">page 12</a>		
		<p><b>Order No.</b></p> <p>N/A</p>
Hopper Sash Lock with Screws - Amerock / Bar-Lock Ref. No. 5 <a href="#">page 12</a>		
		<p><b>Bronze</b></p> <p>N/A</p>
Hopper Lock Strike - Amerock / Bar-Lock / Long Lip Ref. No. 6 <a href="#">page 12</a>		
		<p><b>Order No.</b></p> <p>N/A</p>
Awning Lock - Amerock / Bar-Lock Ref. No. 7 <a href="#">page 12</a>		
		<p><b>Bronze</b></p> <p>N/A</p>
Hopper Lock Strike - Amerock / Bar-Lock / Short Lip Ref. No. 8 <a href="#">page 12</a>		
		<p><b>Order No.</b></p> <p>N/A</p>

**Hardware**

**Hinge Hardware (1952 to 1979)**



Manufactured 1952 to 1979  
Beauty-Line® Hinge Hardware

**Adjuster Arm with Screws (Set) (1954 to 1979)**

Adjuster No.	Glass Height	Length of Lower Leg (Rivet to Rivet)	Order No.
10A	10"	3"	N/A
14B	14" and 16"	7 1/2"	
18C	18" and 20"	9 1/2"	
22D	22" and 24"	11 1/2"	
30E	30"	13"	

**Adjuster Arm Friction Spring**

Order No.
N/A

**Hinge Set - Egress (1971 to 1979)**

Finish	Order No.
Zinc and golden dichromate plating	N/A