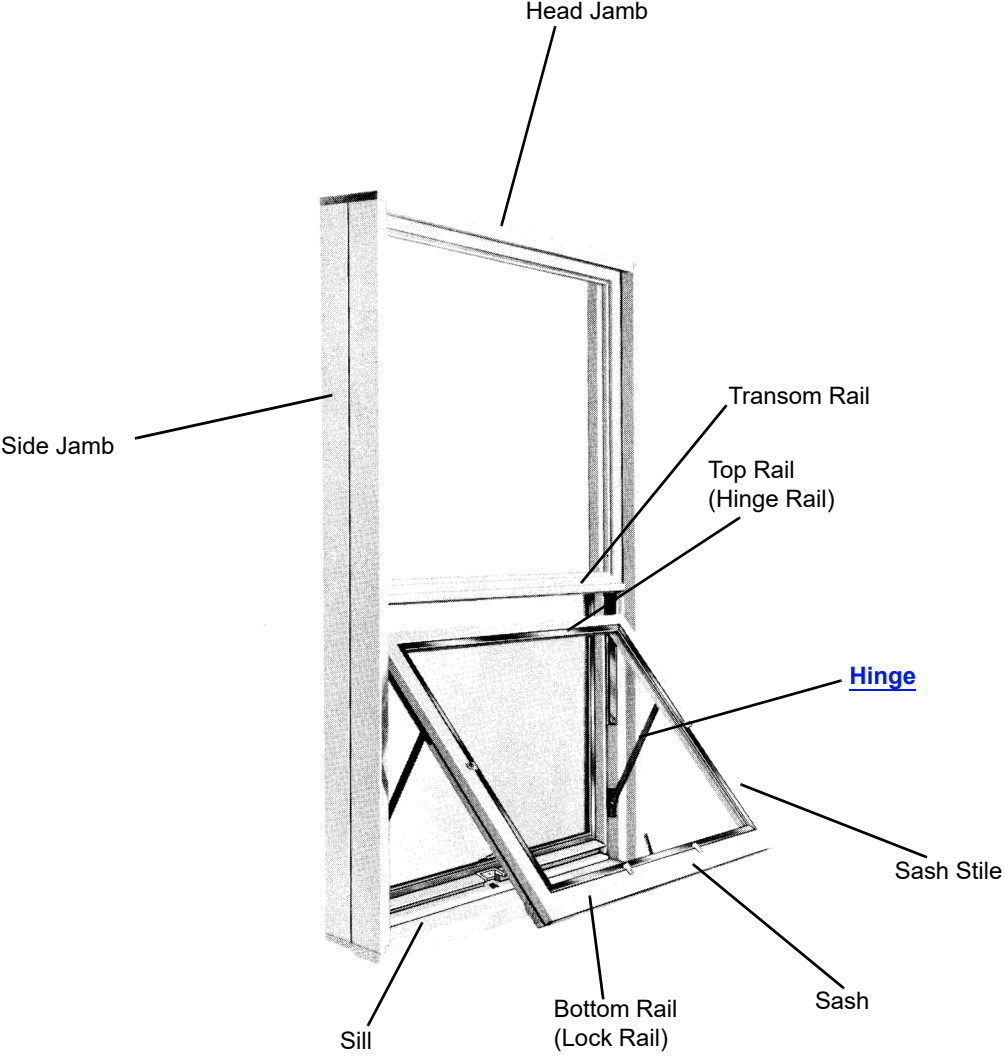


What's in This Section

Standard Windows	Page 3
Parts Illustration	3
Unit Sizes	4
Unit Size Chart	4
Product History	6
Product History	6
Sash	7
Guidelines for Ordering Beauty-Line Sash	7
Sash Size Table	7
Sash Assembly	9
Weatherstrip	10
Insect Screens	11
Insect Screen - Type U Screens	11
Insect Screen Parts	11
Hardware	12
Operator - Amerock / Roto-Lock (1959 - 1981)	12
Operator - Amerock / Roto-Lock (1968 - 1972)	14
Operator - Amerock / Roto-Lock (1955 - 1959)	15
Operator - Standard Thompson / Roto-Lock (1954 - 1955)	15
Operator - Bar-Lock / Hopper Lock / Snap Lock / Awning Lock (1954 - 1979)	16
Hinge Hardware (1952 - 1979)	18
Frames	19
Frame Assembly	20

Parts Illustration

Note:
Limited replacement parts are available. Construction is all wood.



**Manufactured 1957 to 1979
Beauty-Line Window Unit Parts**

Unit viewed from exterior.

Unit Sizes

Unit Size Chart

Note:

Unit Dim. refers to overall outside-to-outside frame. Rgh. Opg. refers to rough stud opening. Glass size refers to unobstructed (visible) glass dimensions. See [Measuring Visible Glass Video](#).



Beauty-Line Window Unit Sizes

Unit viewed from exterior.

Beauty-Line Windows (1957 to 1979)

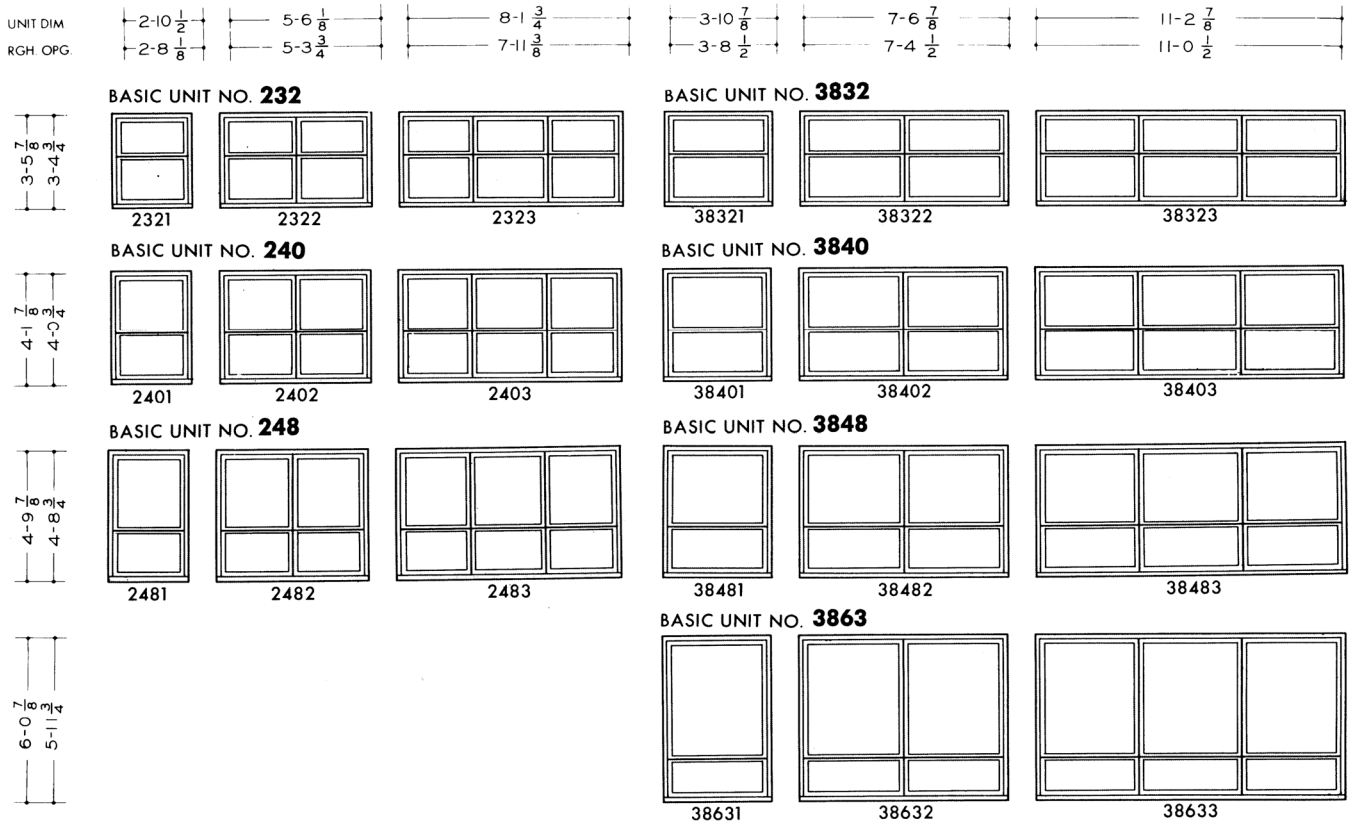
Standard Windows

Unit Sizes

Unit Sizes

Note:

Unit Dim. refers to overall outside-to-outside frame. Rgh. Opg. refers to rough stud opening. Glass size refers to unobstructed (visible) glass dimensions



Beauty-Line Window Unit Sizes

Product History

Product History

- | | |
|-------------|--|
| 2018 | Replacement sash no longer available. |
| 1990 | Replacement sash no longer available in single pane glass. |
| 1979 | Beauty-Line units discontinued. |
| 1971 | Vinyl weatherstrip introduced. |
| 1962 | Grilles for Beauty-Line units introduced.
Perma-green finished screens introduced. |
| 1961 | Baked enamel, silver satin and bronze hardware were added as options to polished chrome finish hardware. |
| 1960 | A cord wheel attachment, for above normal reach roto-lock units, introduced. |
| 1958 | Obscure glass introduced as an optional glazing. |
| 1957 | Beauty-Line Window introduced. |

Beauty-Line Windows (1957 to 1979)

Standard Windows

Sash

Guidelines for Ordering Beauty-Line Sash

Note:

The following chart will help you identify the correct sash for a Beauty-Line window.

Unit No.	Upper Sash	Lower Sash	Unit No.	Upper Sash	Lower Sash
2932	2932	2916	4163	4163	4120
2940	2940	2920	3832	3832	3818
2948	2948	2924	3840	3840	3818
2972	2972	2920	3848	3848	3818
4132	4132	4116	3863	3863	3814
4140	4140	4120	232	232	218
4148	4148	4124	240	240	218
4150	4150	4120	248	248	218

Sash Size Table

Note:

Sash size table provided for identification purposes only. Beauty-Line replacement sash are not available.

Upper/Lower Panel is measured outside edge to outside edge of frame.

Unobstructed Glass is dimension from outside edge to outside edge of visible glass only.

Actual Glass is dimension of outside edge to outside edge of glass, including glass that is not visible.

Sash Size Table - Standard Window / Single Pane

Unit No.	Upper			Lower		
	Overall Panel (w x h)	Unobstructed Glass (w x h)	Actual Glass (w x h)	Overall Panel (w x h)	Unobstructed Glass (w x h)	Actual Glass (w x h)
2924	32 1/8 x 27	28 5/8 x 23 1/4	29 3/8 x 24	N/A	N/A	N/A
2930	32 1/8 x 33	28 5/8 x 29 1/4	29 3/8 x 30	N/A	N/A	N/A
2932	32 1/8 x 19	28 5/8 x 15 1/4	29 3/8 x 16	32 1/8 x 19	28 5/8 x 15 1/4	29 3/8 x 16
2940	32 1/8 x 23	28 5/8 x 19 1/4	29 3/8 x 20	32 1/8 x 23	28 5/8 x 19 1/4	29 3/8 x 20
2948	32 1/8 x 27	28 5/8 x 23 1/4	29 3/8 x 24	32 1/8 x 27	28 5/8 x 23 1/4	29 3/8 x 24
2972	32 1/8 x 55 13/16	28 5/8 x 52 1/16	29 3/8 x 52 13/16	32 1/8 x 23	28 5/8 x 19 1/4	29 3/8 x 20
4124	44 1/8 x 27	40 5/8 x 23 1/4	41 3/8 x 24	N/A	N/A	N/A
4130	44 1/8 x 33	40 5/8 x 29 1/4	41 3/8 x 30	N/A	N/A	N/A
X4136	N/A	N/A	N/A	N/A	N/A	N/A
4132	44 1/8 x 19	40 5/8 x 15 1/4	41 3/8 x 16	44 1/8 x 19	40 5/8 x 15 1/4	41 3/8 x 16
4140	44 1/8 x 23	40 5/8 x 19 1/4	41 3/8 x 20	44 1/8 x 23	40 5/8 x 19 1/4	41 3/8 x 20
4148	44 1/8 x 27	40 5/8 x 23 1/4	41 3/8 x 24	44 1/8 x 27	40 5/8 x 23 1/4	41 3/8 x 24
4150	44 1/8 x 33	40 5/8 x 29 1/4	41 3/8 x 30	44 1/8 x 23	40 5/8 x 19 1/4	41 3/8 x 20
4163	44 1/8 x 45	40 5/8 x 42 1/4	41 3/8 x 43	44 1/8 x 23	40 5/8 x 19 1/4	41 3/8 x 20
3832	42 1/8 x 17	38 5/8 x 13 1/4	39 3/8 x 14	44 1/8 x 21 3/4	38 5/8 x 17 1/4	39 3/8 x 18
3840	42 1/8 x 25	38 5/8 x 21 1/4	39 3/8 x 22	44 1/8 x 21 3/4	38 5/8 x 17 1/4	39 3/8 x 18
3848	42 1/8 x 33	38 5/8 x 29 1/4	39 3/8 x 30	44 1/8 x 21 3/4	38 5/8 x 17 1/4	39 3/8 x 18
3863	42 1/8 x 52	38 5/8 x 48 1/4	39 3/8 x 49	44 1/8 x 17	38 5/8 x 13 1/4	39 3/8 x 14
232	30 3/4 x 17	26 1/4 x 13 1/4	27 x 14	29 3/4 x 21	26 1/4 x 17 1/4	27 x 18
240	30 3/4 x 25	26 1/4 x 21 1/4	27 x 22	29 3/4 x 21	26 1/4 x 17 1/4	27 x 18
248	30 3/4 x 33	26 1/4 x 29 1/4	27 x 30	29 3/4 x 21	26 1/4 x 17 1/4	27 x 18

Sash

Sash Size Table - Standard Window / Dual Pane / Welded

Note:

Sash size table provided for identification purposes only. Beauty-Line replacement sash are not available.

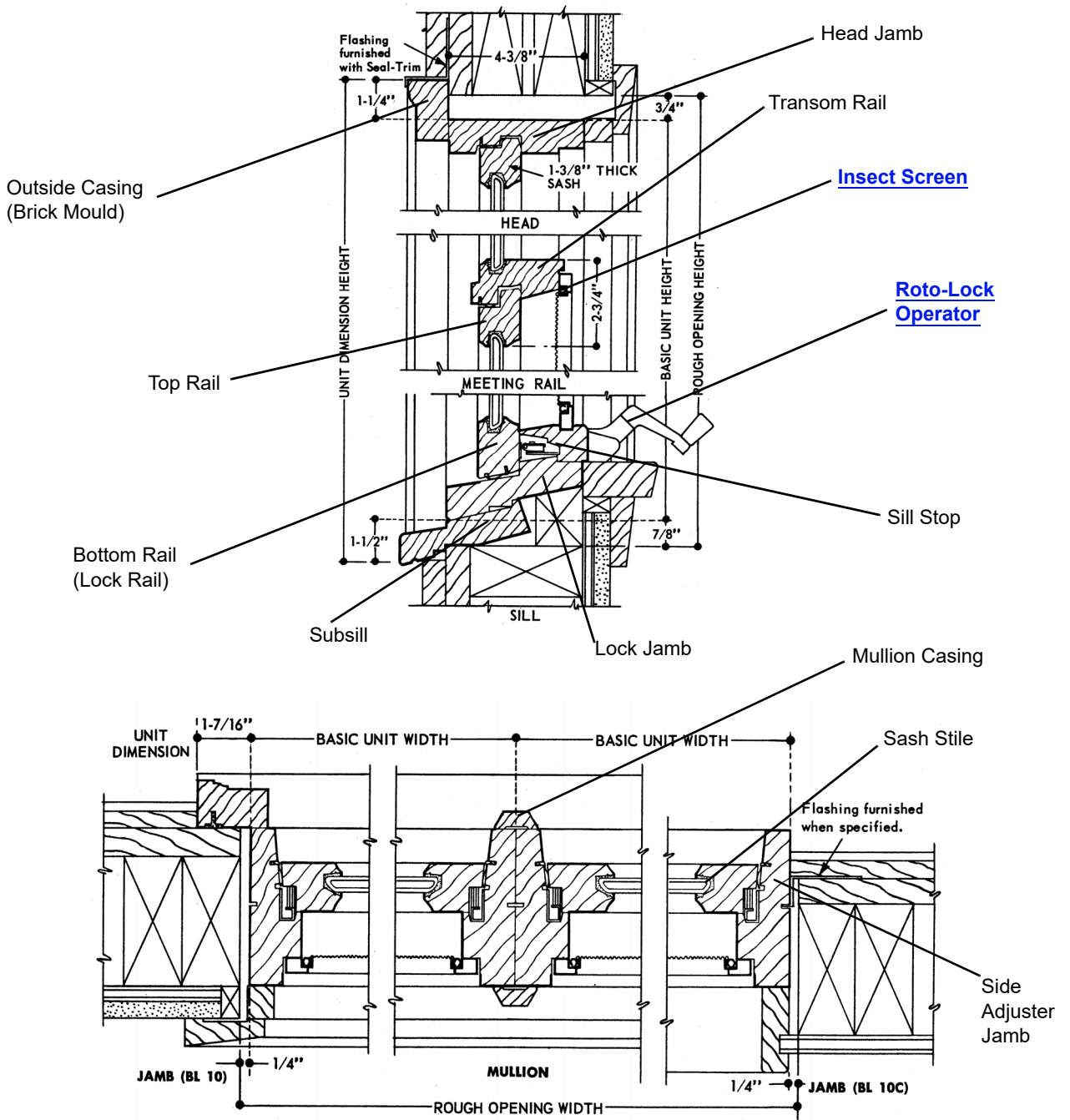
Upper/Lower Panel is measured outside edge to outside edge of frame.

Unobstructed Glass is dimension from outside edge to outside edge of visible glass only.

Actual Glass is dimension of outside edge to outside edge of glass, including glass that is not visible.

Unit No.	Upper			Lower		
	Overall Panel (w x h)	Unobstructed Glass (w x h)	Actual Glass (w x h)	Overall Panel (w x h)	Unobstructed Glass (w x h)	Actual Glass (w x h)
2924	32 3/8 x 27 1/4	28 7/8 x 23 1/2	29 5/8 x 24 1/4	N/A	N/A	N/A
2930	32 3/8 x 33 1/4	28 7/8 x 29 1/2	29 5/8 x 30 1/4	N/A	N/A	N/A
2932	32 3/8 x 19 1/4	28 7/8 x 15 1/2	29 5/8 x 16 1/4	32 3/8 x 19 1/4	28 7/8 x 15 1/2	29 5/8 x 16 1/4
2940	32 3/8 x 23 1/4	28 7/8 x 19 1/2	29 5/8 x 20 1/4	32 3/8 x 23 1/4	28 7/8 x 19 1/2	29 5/8 x 20 1/4
2948	32 3/8 x 27 1/4	28 7/8 x 23 1/2	29 5/8 x 24 1/4	32 3/8 x 27 1/4	28 7/8 x 23 1/2	29 5/8 x 24 1/4
2972	32 3/8 x 55 13/16	28 7/8 x 52 1/16	29 5/8 x 52 13/16	32 3/8 x 23 1/4	28 7/8 x 19 1/2	29 5/8 x 20 1/4
4124	44 3/16 x 27 1/4	40 7/8 x 23 1/2	41 5/8 x 24 1/4	N/A	N/A	N/A
4130	44 3/16 x 33 1/4	40 7/8 x 29 1/2	41 5/8 x 30 1/4	N/A	N/A	N/A
X4136	44 3/16 x 39 1/4	40 7/8 x 35 1/2	41 5/8 x 36 1/4	N/A	N/A	N/A
4132	44 3/16 x 19 1/4	40 7/8 x 15 1/2	41 5/8 x 16 1/4	44 3/16 x 19 1/4	40 7/8 x 15 1/2	41 3/8 x 16 1/4
4140	44 3/16 x 23 1/4	40 7/8 x 19 1/2	41 5/8 x 20 1/4	44 3/16 x 23 1/4	40 7/8 x 19 1/2	41 3/8 x 20 1/4
4148	44 3/16 x 27 1/2	40 7/8 x 23 1/2	41 5/8 x 24 1/4	44 3/16 x 27 1/2	40 7/8 x 23 1/2	41 3/8 x 24 1/4
4150	44 3/16 x 33 1/4	40 7/8 x 29 1/2	41 5/8 x 30 1/4	44 3/16 x 23 1/4	40 7/8 x 19 1/2	41 3/8 x 20 1/4
4163	44 3/16 x 46 1/4	40 7/8 x 42 1/2	41 5/8 x 43 1/4	44 3/16 x 23 1/4	40 7/8 x 19 1/2	41 3/8 x 20 1/4
3832	42 1/8 x 17	38 5/8 x 13 1/4	39 3/8 x 14	42 1/8 x 21	38 5/8 x 17 1/4	39 3/8 x 18
3840	42 1/8 x 33	38 5/8 x 21 1/4	39 3/8 x 22	42 1/8 x 21	38 5/8 x 17 1/4	39 3/8 x 18
3848	42 1/8 x 33	38 5/8 x 29 1/4	39 3/8 x 30	42 1/8 x 21	38 5/8 x 17 1/4	39 3/8 x 18
3863	42 1/8 x 52	38 5/8 x 48 1/4	39 3/8 x 49	42 1/8 x 17	38 5/8 x 13 1/4	39 3/8 x 14
232	30 3/4 x 17	26 1/4 x 13 1/4	27 x 14	30 3/4 x 21 3/4	26 1/4 x 17 1/4	27 x 18
240	30 3/4 x 25	26 1/4 x 21 1/4	27 x 22	30 3/4 x 21 3/4	26 1/4 x 17 1/4	27 x 18
248	30 3/4 x 33	26 1/4 x 29 1/4	27 x 30	30 3/4 x 21 3/4	26 1/4 x 17 1/4	27 x 18

Sash Assembly



Beauty-Line Window Sash and Frame Assembly

Sash

Weatherstrip		
Weatherstrip - Hinge Jamb		
	Unit No.	Order No.
	29	0812410
	41	N/A
Weatherstrip - Transom Rail		
	Unit No.	Order No.
	29	0812510
Weatherstrip - Lock Rail		
	Unit No.	Order No.
	29	0812310
	41	0812312

Beauty-Line Windows (1957 to 1979)

Standard Windows

Insect Screens

Insect Screen - Type U Screens

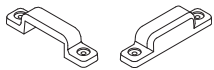
Note:

Type U insect screens are universal insect screens. Use them on units with stops applied. Screens wider than 41 ⁷/₈ use two wing blades.

Insect Screen - Type U Screen

Unit No.	Dimensions (w x h)	Stone	Green
218	29 ¹ / ₂ × 20 ¹ / ₁₆	0325716	N/A
2916	31 ⁷ / ₈ × 18 ¹ / ₁₆	0808624	N/A
2920	31 ⁷ / ₈ × 22 ¹ / ₁₆	0808626	N/A
2924	31 ⁷ / ₈ × 26 ¹ / ₁₆	0808628	N/A
2924F	31 ⁷ / ₈ × 25 ¹ / ₁₆	0808652	N/A
2930F	31 ⁷ / ₈ × 31 ¹ / ₁₆	0808656	N/A
3814	41 ⁷ / ₈ × 16 ¹ / ₁₆	8071105	N/A
3818	41 ⁷ / ₈ × 20 ¹ / ₁₆	8071106	N/A
4116	43 ⁷ / ₈ × 18 ¹ / ₁₆	0808638	N/A
4120	43 ⁷ / ₈ × 22 ¹ / ₁₆	0808642	N/A
4124	43 ⁷ / ₈ × 26 ¹ / ₁₆	0808646	N/A
4124F	43 ⁷ / ₈ × 25 ¹ / ₁₆	0808660	N/A
4130F	43 ⁷ / ₈ × 31 ¹ / ₁₆	0808664	N/A
X4136	43 ⁷ / ₈ × 37 ¹ / ₁₆	0808648	N/A

Insect Screen Parts

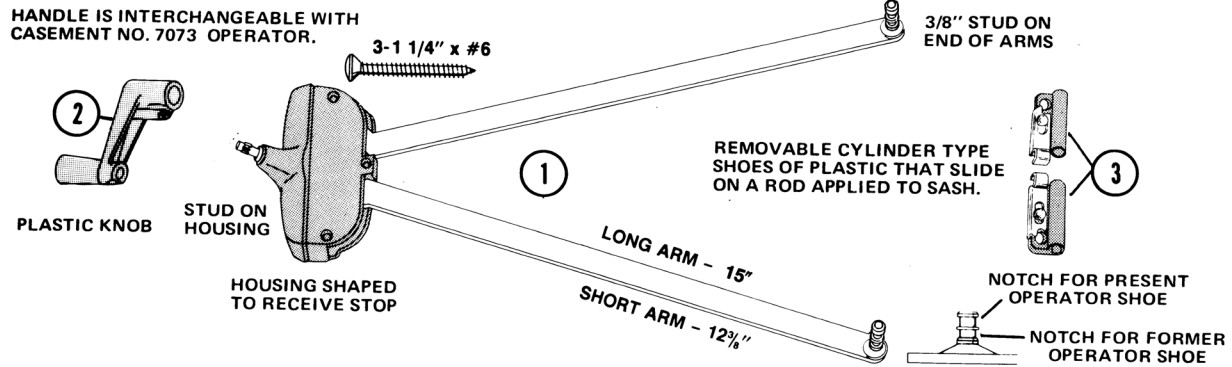
Screen Strike	
	Plastic 0812604

Hardware

Operator - Amerock / Roto-Lock (1959 - 1981)

Note:

The short arm handle is standard. The long arm handle is used if a special stool has been applied to the sill and additional clearance is needed for the handle.



Manufactured June 1959 to October 1981

Amerock Roto-Lock Hardware


Roto-Lock Operator Picture (1959 to 1981) Ref. No. 1



Beauty-Line Windows (1957 to 1979)

Standard Windows

Hardware

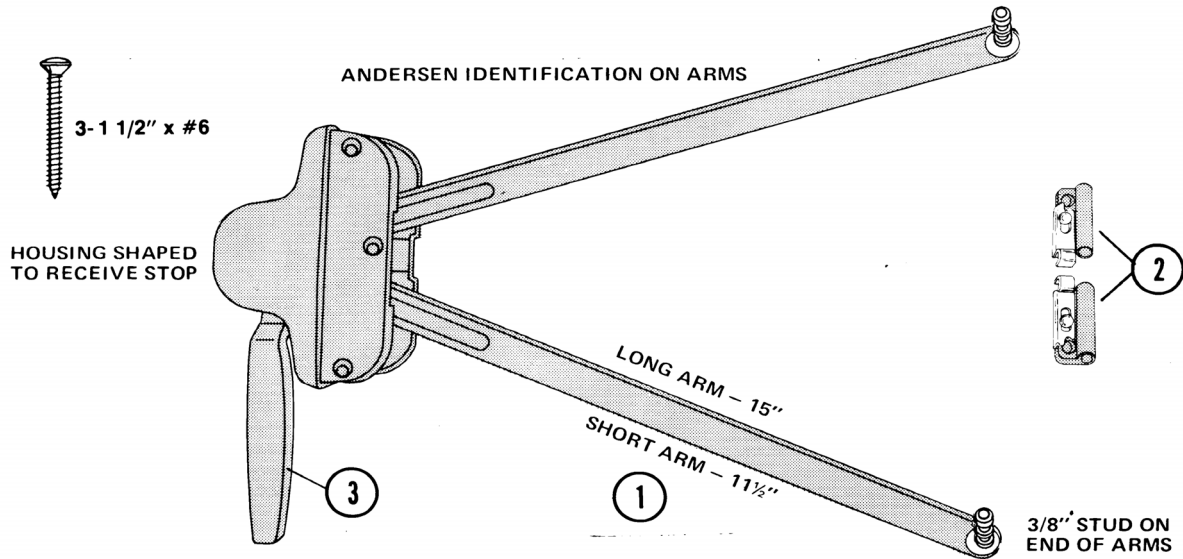
Operator Set - Amerock / Roto-Lock (June 1959 to October 1981) Ref. No. 1, 2, 3 page 12				
	Note: Operator set includes operator, handle, sash rod, and sash brackets (sash rod not pictured). 2 and 3 widths use short arm, 38 and 4 widths use long arm. Sizes shown in size grid, see page 4 .	Description	Bronze	
		Short Arm	0333808	
		Long Arm	0333908	
Handle - Amerock / Roto-Lock (June 1959 to October 1981) Ref. No. 2 page 12				
 <p>Short Long</p>	Note: Long arm handle is used if a special stool has been applied to the sill and extra clearance is needed for the handle. (Bronze shown)	Description	Finish	Order No.
		Short Shank	Bronze	0536011
			Silver Satin	1361008
Long Shank	Bronze	0532308		
Rod - Amerock / Roto-Lock (June 1959 to October 1981)				
	Note: Not shown in picture on page 12 . To replace, order complete operator set which includes rod.	Length	Order No.	
		13 1/2	N/A	
		18 1/2	N/A	
Bracket - Amerock / Roto-Lock / Center Rod (June 1959 to October 1981)				
	Note: Not shown in picture on page 12 . Holds sash rods in place at middle of sash.		Order No.	
			0334205	
Shoe - Amerock / Roto-Lock (Pair) (June 1959 to October 1981) Ref. No. 3 page 12				
			Bronze	
			0338908	

Hardware

Operator - Amerock / Roto-Lock (1968 - 1972)

Note:

No longer available. Replace with [Amerock Roto-Lock Operator Set \(1959 to 1981\)](#), using long arm (15") or short arm (11").



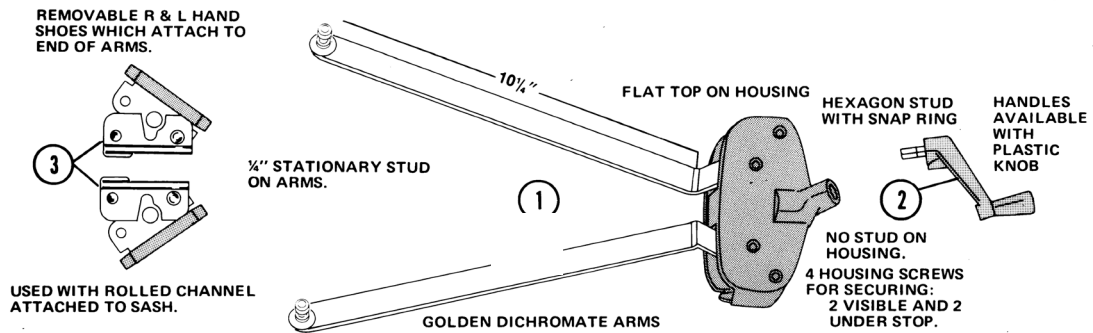
Manufactured 1968 to 1972

Amerock Roto-Lock Hardware

Operator - Amerock / Roto-Lock (1955 - 1959)

Note:

No longer available. Replace with [Amerock Roto-Lock Operator Set \(1959 to 1981\)](#), using short arm (11").



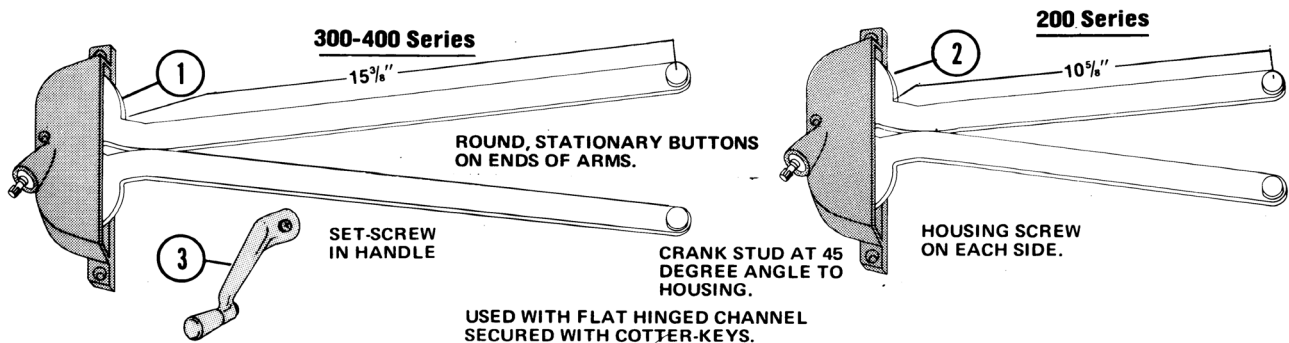
Manufactured July 1955 to June 1959

Amerock Hardware

Operator - Standard Thompson / Roto-Lock (1954 - 1955)

Note:

No longer available. Replace with [Amerock Roto-Lock Operator Set \(1959 to 1981\)](#), using long arm (15") to replace 300-400 Series or short arm (11") to replace 200 Series. Attachment hardware (rod, brackets) is required. Sill stop may need to be modified.

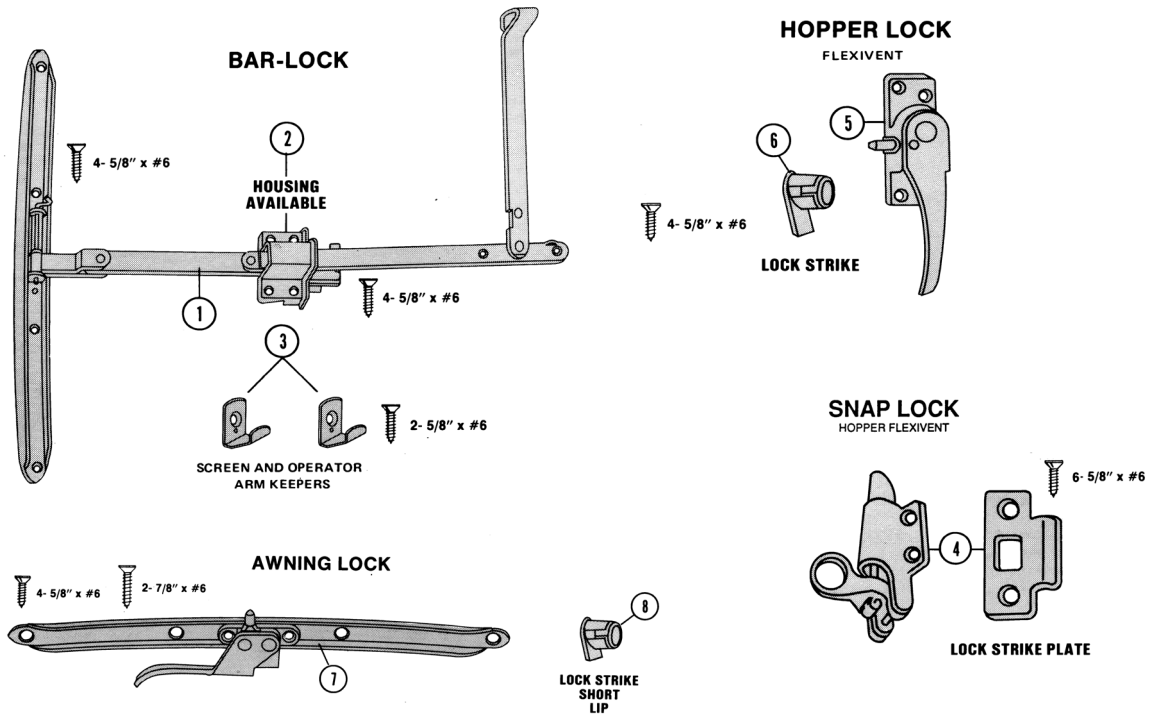


Manufactured March 1954 to July 1955

Roto-Lock Standard Thomson Operator

Hardware

Operator - Bar-Lock / Hopper Lock / Snap Lock / Awning Lock (1954 - 1979)



Amerock Bar-Lock Hardware


Operator - Bar Lock Picture (1954 to 1979) Ref. No. 1, 2 and 3



Beauty-Line Windows (1957 to 1979)

Standard Windows

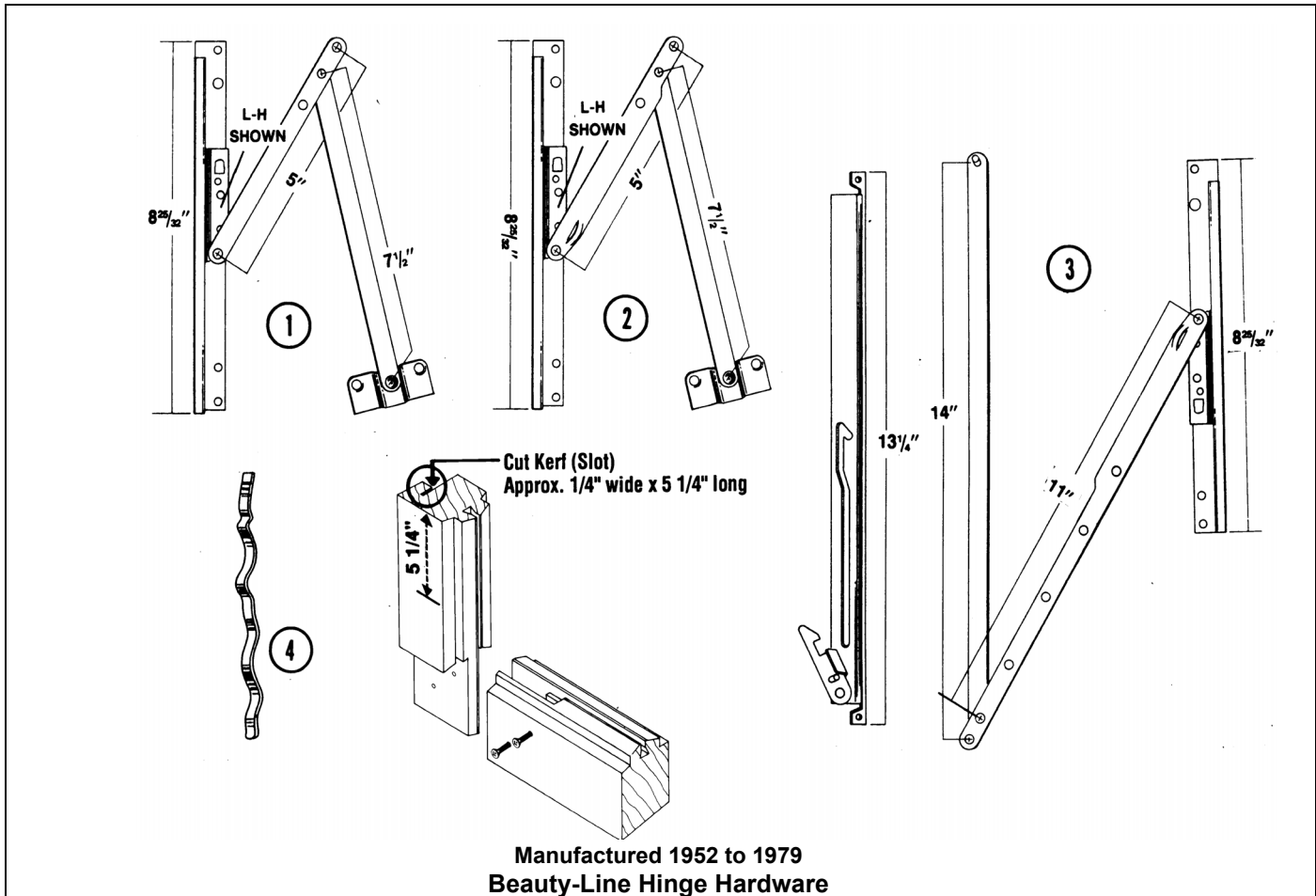
Hardware

Operator - Amerock / Bar-Lock / No. 7062 (1954 to 1979) Ref. No. 1, 2 and 3 page 16		
	<p>Note: Includes housing, clips and screws.</p>	<p>Bronze N/A</p>
Insect Screen and Operator Arm Keepers - Amerock / Bar-Lock Ref. No. 3 page 16		
		<p>Order No. N/A</p>
Hopper Sash Lock with Screws Ref. No. 5 page 16		
		<p>Bronze N/A</p>
Hopper Lock Strike - Amerock / Bar-Lock / Long Lip Ref. No. 6 page 16		
		<p>Order No. N/A</p>
Awning Lock - Amerock / Bar-Lock Ref. No. 7 page 16		
		<p>Bronze N/A</p>
Snap Lock - Amerock / Bar-Lock Ref. No. 4 page 16		
		<p>Order No. N/A</p>

Hardware

Hinge Hardware (1952 - 1979)

Note: No longer available as of 1/1/09.



Adjuster Arms Set with Screws (1954 to 1979) Ref. No. 2

Adjuster No.	Glass Height	Length of Lower Leg (Rivet to Rivet)	Order No.
18, 20	18" and 20"	9 1/2"	N/A
22, 24	22" and 24"	11 1/2"	
30	30"	13"	

Adjuster Arm Friction Spring (1952 to 1979) Ref. No. 4

Order No.
N/A

Egress Hinge Set with Screws (1971 to 1979) Ref. No. 3

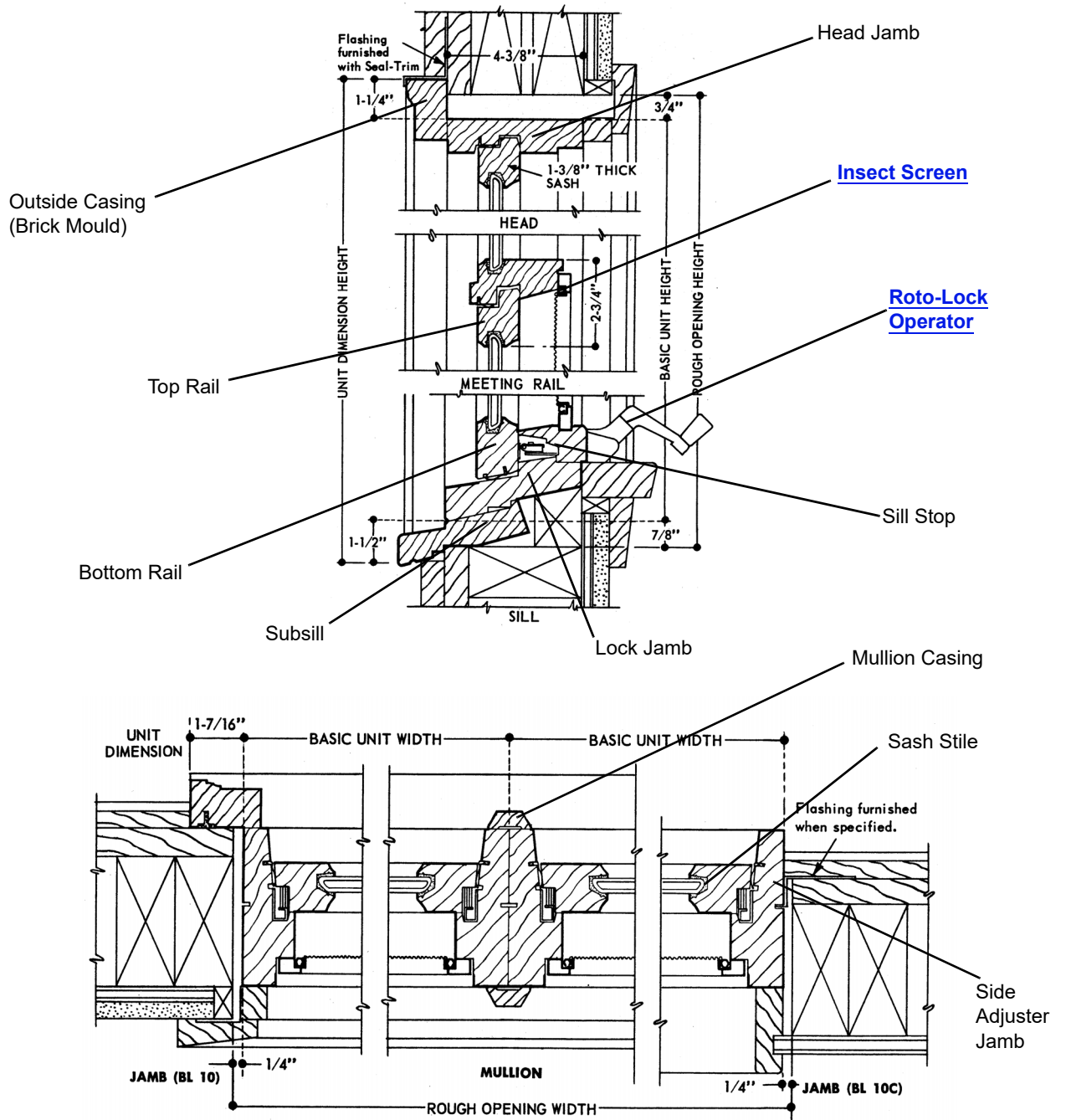
Note:

For use with 4130 and 4148 sizes.

Includes: 1 - channels and adjuster arm hinges (pairs) 4 - round head screws
2 - stopper screws 4 - vinyl washers

Finish	Order No.
Zinc and golden dichromate plating	N/A

Frame Assembly



Beauty-Line Window Sash and Frame Assembly

