

## What's in This Section

<b>Single Panel, 2-Panel, and Stationary Panel</b> .....	<b>Page 5</b>
<b>Parts Illustration</b> .....	<b>5</b>
Parts Illustration - Single Panel .....	5
Parts Illustration - 2-Panel .....	6
Parts Illustration - Passive Panel .....	7
Color Options Exterior .....	8
Color / Finish Options Interior .....	9
<b>Unit Sizes</b> .....	<b>10</b>
Standard and Custom Door Sizes .....	10
A Series Product Label .....	10
Unit Size Chart - Single Panel .....	11
Unit Size Chart - 2-Panel .....	12
Replacement Panel Reference .....	13
<b>Product History</b> .....	<b>14</b>
Product History .....	14
<b>Panels - Active</b> .....	<b>15</b>
Active Panel Graphic .....	15
Active Panel Size Table .....	17
Active Panels - Single Doors .....	18
Active Panels with Astragal - Double Doors (AP) .....	19
Active Panels with Astragal - Double Doors (PA) .....	20
<b>Panels - Passive</b> .....	<b>21</b>
Passive Panel Graphic .....	21
Passive Panel Size Table .....	22
Passive Panels .....	23
Panel Astragal with Screws - Passive (AP) / Stainless Steel Hardware .....	24
Panel Astragal with Screws - Passive (PA) / Stainless Steel Hardware .....	25
Panel Parts - Passive .....	26
<b>Panels - Stationary</b> .....	<b>27</b>
Stationary Panel Graphic .....	27
Stationary Panel Size Table .....	28
Stationary Panels .....	29
<b>Shared Panel Parts</b> .....	<b>31</b>
Panel Parts - Blinds Between the Glass .....	31
Glass Stops .....	32
Gasket Weatherstrip .....	34
Water Bars .....	34

<b>Insect Screens</b> .....	<b>35</b>
Insect Screens - Retractable (2008 - April 2024) .....	35
Insect Screen Parts - Retractable (2008 - April 2024) .....	36
<b>Grilles</b> .....	<b>46</b>
Traditional Interior Grilles - Standard / Custom .....	46
Contemporary Interior Grilles - Standard / Custom .....	47
Interior Grille Parts and Tools .....	48
<b>Hardware</b> .....	<b>49</b>
Andersen® Half Trim Set Kits - Interior Hardware .....	49
Andersen® Half Trim Set Kits - Exterior .....	50
Construction Trim Set .....	51
Andersen® Hardware - Tribeca® .....	52
Andersen® Hardware - Anvers® .....	57
Andersen® Hardware - Albany .....	60
Andersen® Hardware - Newbury® .....	63
Andersen® Hardware - Covington™ .....	67
Andersen® Hardware - Whitmore® .....	70
Andersen® Hardware - Encino® .....	74
Andersen® Hardware - Yuma® .....	77
Designer Hardware - FSB® .....	80
Designer Hardware - Baldwin® .....	86
Designer Hardware - Ashley Norton .....	91
Yale® Assure Lock® .....	95
Andersen® Shared Andersen® Trim Set Parts .....	98
Andersen® Shared Andersen® Key Lock Parts .....	101
Lock Mechanism - Active .....	103
Lock Mechanism - Passive .....	103
Lock Mechanism - Active / High Corrosion Resistant .....	104
Lock Mechanism - Passive / High Corrosion Resistant .....	105
Lock Mechanism - Component Illustration / High Corrosion Resistant .....	106
Hook Bolt Parts .....	107
Flush Bolt Parts .....	108
Latch Bolt Parts .....	108
Hinge Parts .....	109
Fasteners .....	111
<b>Frames</b> .....	<b>112</b>
Frames Assembly Illustration - Single Panel .....	112
Frame Assembly Illustration - 2 Panel .....	113
Installation Flanges .....	114
Installation Kit .....	114
Extension Jamb Kits .....	115
Extension Jamb / Wood / Lineal .....	116
Extension Jambs / Painted / Lineal .....	117

Sill Parts .....	118
Fastener Covers .....	119
Panel Stops .....	119
Fasteners .....	120
<b>Joining Components .....</b>	<b>121</b>
Fiberglass Joining Exploded View .....	121
Fiberglass Joining Kits .....	122
Fiberglass Joining Hardware Kits .....	123
Fiberglass Joining Kit Components .....	124
Vintage LVL Joining Kit Components .....	129
Mull Cover Kits .....	133
Universal Drip Cap - Continuous .....	134
<b>A-Series Stormwatch® Protection (Coastal Product) .....</b>	<b>Page 135</b>
<b>Panels - Active .....</b>	<b>135</b>
Active Panels - Single Doors (Impact Resistant) .....	135
Active Panels with Astragal - Double Doors (AP) (Impact Resistant) .....	136
Active Panels with Astragal - Double Doors (PA) (Impact Resistant) .....	136
<b>Panels - Passive .....</b>	<b>137</b>
Passive Panels - (AP/PA) (Impact Resistant) .....	137
Panel Astragal with Screws - Passive (AP) / Stainless Steel Hardware .....	138
Panel Astragal with Screws - Passive (PA) / Stainless Steel Hardware .....	139
<b>Panels - Stationary .....</b>	<b>140</b>
Stationary Panels (Impact Resistant) .....	140
<b>Shared Panel Parts .....</b>	<b>141</b>
Glass Stops .....	141
<b>Hardware .....</b>	<b>142</b>
Lock Mechanism (Impact Resistant) - Active .....	142
Lock Mechanism (Impact Resistant) - Passive .....	142
Lock Mechanism (Impact Resistant) - Active / High Corrosion Resistant .....	143
Lock Mechanism (Impact Resistant) - Passive / High Corrosion Resistant .....	143
<b>Sill .....</b>	<b>144</b>
Channel / Sill Drop Nose Kit (Impact Resistant) .....	144
<b>Service Replacement .....</b>	<b>Page 145</b>
<b>Service Replacement Only Parts .....</b>	<b>145</b>
Service Replacement Only Parts .....	145
Exterior / Interior Grilles - Permanently Applied / Taped .....	146
Shims .....	149
Filler .....	149



# A-Series Outswing Doors (2008 to Present)

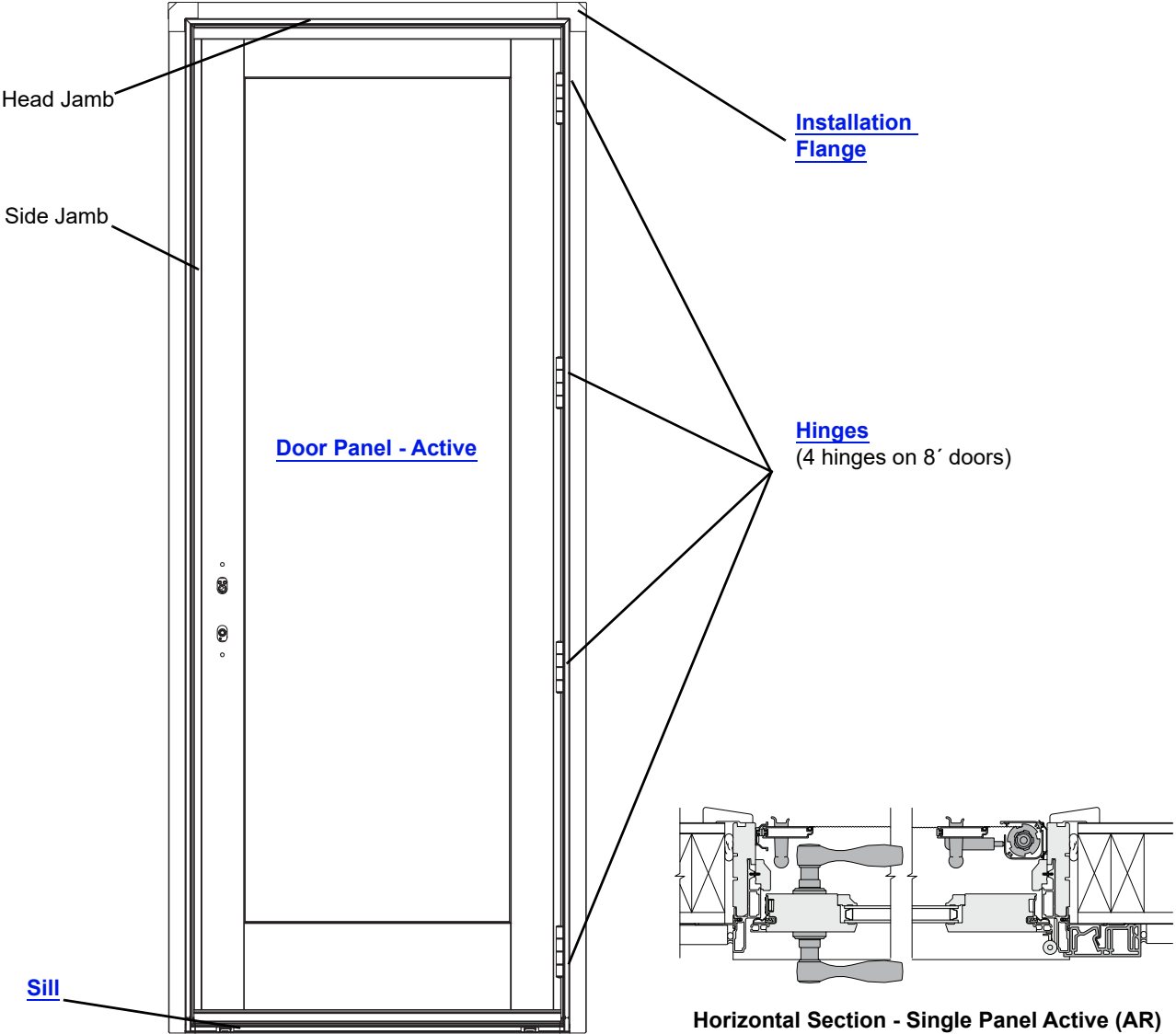
Single Panel, 2-Panel, and Stationary Panel

## Parts Illustration

### Parts Illustration - Single Panel

**Note:**

Left-hand, right-hand, and stationary doors are available. Illustration shows right-hand door.



Manufactured 2009 to Present

### A-Series Outswing Door Unit Parts - Single Panel

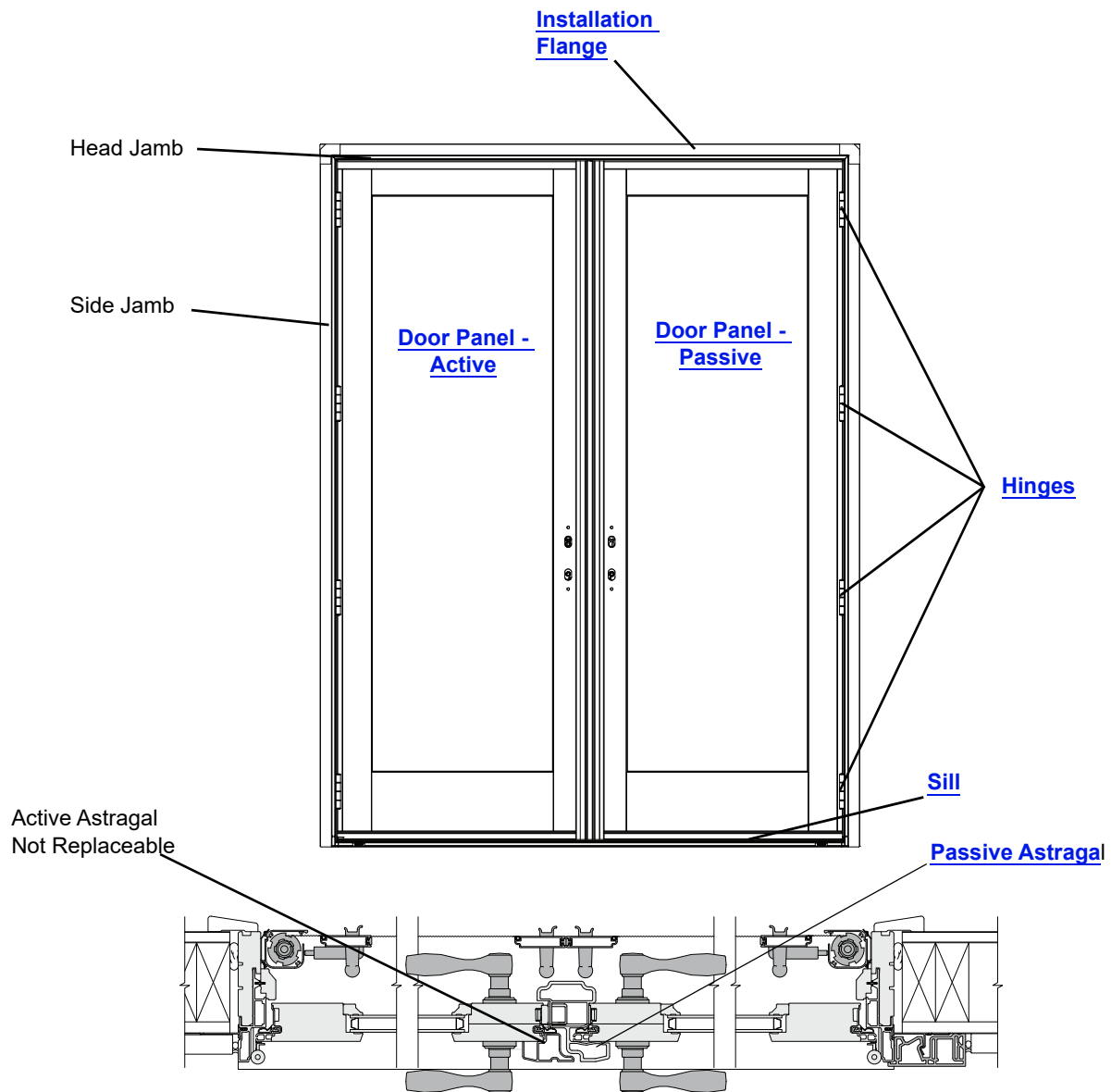
Unit viewed from exterior.

## Parts Illustration

### Parts Illustration - 2-Panel

**Note:**

8' doors have 4 hinges per side.



Horizontal Section - Two-Panel Active/Passive (APLR)

Manufactured 2009 to Present

**A-Series Outswing Door Unit Parts - 2-Panel Active/Passive and Passive/Active**

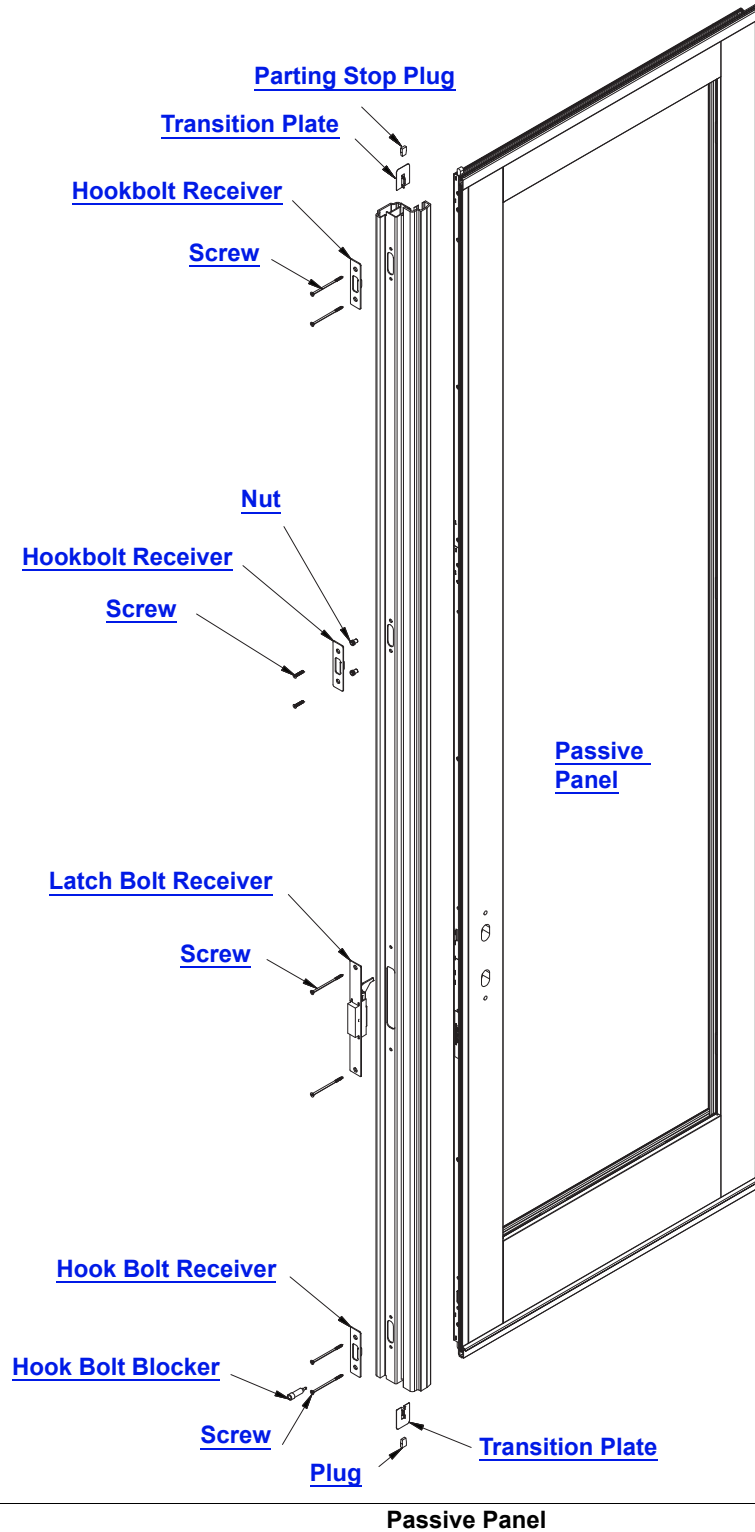
*Unit viewed from exterior.*

# A-Series Outswing Doors (2008 to Present)

Single Panel, 2-Panel, and Stationary Panel

## Parts Illustration

### Parts Illustration - Passive Panel

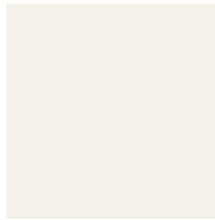


## Parts Illustration

### Color Options Exterior

Note:

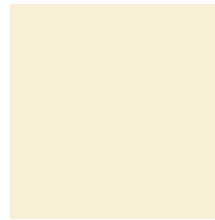
[Latest Exterior color options.](#)



White



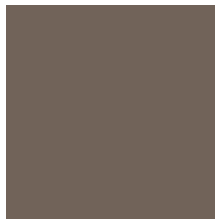
Sandtone



Canvas



Prairie Grass



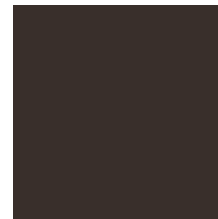
Terratone



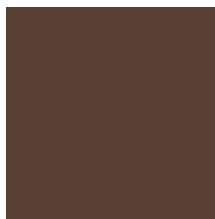
Forest Green



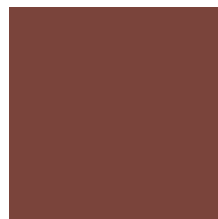
Dove Gray



Dark Bronze



Cocoa Bean



Red Rock



Black



# A-Series Outswing Doors (2008 to Present)

Single Panel, 2-Panel, and Stationary Panel

## Parts Illustration

### Color / Finish Options Interior

**Note:**

[See Latest Interior species/finish/color options.](#) See iQ+ for specific configuration options.

#### Interior Stains



Honey



Natural



Cinnamon



Russet



Mocha



Espresso

#### Interior Species



Pine



Maple



Vertical Grain  
Douglas Fir



Oak

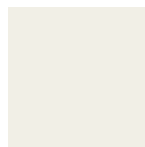


Cherry

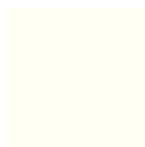


Mahogany

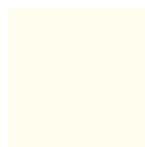
#### Interior Colors / Painted & Primed



White



Birch Bark



Primed



Sandtone



Canvas



Terratone



Forest Green



Dove Gray



Prairie Grass



Cocoa Bean



Red Rock



Black



Dark Bronze

## Unit Sizes

---

### Standard and Custom Door Sizes

**Note:**

A-Series Outswing Doors are available in standard sizes (see standard size charts, [page 11](#)). Replacement parts for some standard doors can be ordered using the numbers listed in this catalog. Many replacement parts for standard doors are made to order. These items are ordered using the Product ID found on the identification label and a description of the part needed. See [Service Guide 9051877](#).

A-Series Outswing Doors are also available in custom sizes in 1/8" increments between the smallest and the largest standard sizes. Most replacement parts for custom-sized doors are made to order and can be ordered with the Product ID found on the identification label and a description of the part needed. See [Service Guide 9051877](#).

### A Series Product Label

**Note:**

Every A-Series Outswing Door will have an identification label **or** glass etching containing a unique Product ID. The Product ID on A-Series Outswing Doors will be located at the top of the door frame or etched into the glass. See [Service Guide 9051877](#). The Product ID may be up to 14 digits long (excluding hyphens), depending on the age of the unit. Replacement parts will also get their own unique Product ID. When ordering replacement parts, providing the Product ID ensures that replacement parts match the specifications.

# A-Series Outswing Doors (2008 to Present)

Single Panel, 2-Panel, and Stationary Panel

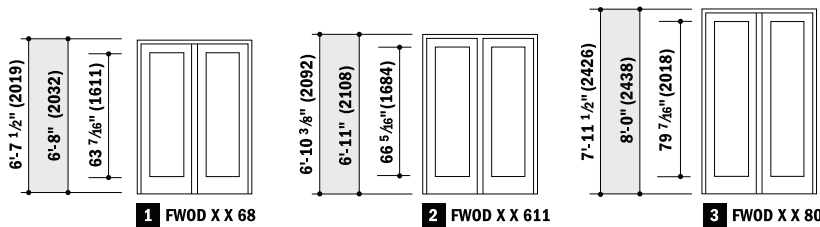
## Unit Sizes

### Unit Size Chart - Single Panel

**Note:**

Unit Dimension refers to overall outside-to-outside frame. Unobstructed Glass refers to visible glass dimensions. Numbers in parentheses are metric measurements. See [Measuring Visible Glass Video](#).

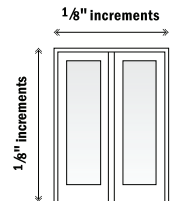
#### THREE BASIC UNIT HEIGHTS



#### CUSTOM SIZES

Custom unit sizes available in 1/8" increments between the smallest and largest standard patio door sizes.

Some restrictions apply. Contact your Andersen supplier for availability.



#### Table of Basic Unit Sizes— One Panel Doors

Scale 1/8" = 1'-0" (1:96)

Unit Dimension	2'-0 1/8"	2'-6 1/8"	2'-6 1/8"	2'-6 1/8"	2'-8 1/8"	2'-8 1/8"	2'-8 1/8"
(Metric)	(612)	(764)	(764)	(764)	(815)	(815)	(815)
<b>Minimum Rough Opening</b>	2'-1"	2'-7"	2'-7"	2'-7"	2'-9"	2'-9"	2'-9"
(Metric)	(634)	(787)	(787)	(787)	(838)	(838)	(838)
Unobstructed Glass	12 7/8"	18 7/8"	18 7/8"	18 7/8"	20 7/8"	20 7/8"	20 7/8"
(Metric)	(327)	(479)	(479)	(479)	(530)	(530)	(530)
Available in 3 heights	1 2 3	1 2 3	1 2 3	1 2 3	1 2 3	1 2 3	1 2 3
<b>FWOD</b>	2168S	2768AR	2768AL	2768S	2968AR	2968AL	2968S
<b>FWOD</b>	21611S	27611AR	27611AL	27611S	29611AR	29611AL	29611S
<b>FWOD</b>	2180S	2780AR	2780AL	2780S	2980AR	2980AL	2980S

Unit Dimension	3'-0 1/8"	3'-0 1/8"	3'-0 1/8"	3'-2 1/8"	3'-2 1/8"	3'-2 1/8"
(Metric)	(917)	(917)	(917)	(968)	(968)	(968)
<b>Minimum Rough Opening</b>	3'-1"	3'-1"	3'-1"	3'-3"	3'-3"	3'-3"
(Metric)	(940)	(940)	(940)	(991)	(991)	(991)
Unobstructed Glass	24 7/8"	24 7/8"	24 7/8"	26 7/8"	26 7/8"	26 7/8"
(Metric)	(632)	(632)	(632)	(683)	(683)	(683)
Available in 3 heights	1 2 3	1 2 3	1 2 3	1 2 3	1 2 3	1 2 3
<b>FWOD</b>	3168AR	3168AL	3168S	3368AR	3368AL	3368S
<b>FWOD</b>	31611AR	31611AL	31611S	33611AR	33611AL	33611S
<b>FWOD</b>	3180AR	3180AL	3180S	3380AR	3380AL	3380S

A-Series Outswing Door Unit Sizes (continued on [page 12](#))

Unit viewed from exterior.

## Unit Sizes

### Unit Size Chart - 2-Panel

**Note:**

Unit Dimension refers to overall outside-to-outside frame. Unobstructed Glass refers to visible glass dimensions. Numbers in parentheses are metric measurements. See [Measuring Visible Glass Video](#).

**Table of Basic Unit Sizes—Two Panel Doors**

Unit Dimension	3'-11 1/4" (1200)	3'-11 1/4" (1200)	4'-11 1/4" (1505)	4'-11 1/4" (1505)		
Minimum Rough Opening	4'-0" (1219)	4'-0" (1219)	5'-0" (1524)	5'-0" (1524)		
Unobstructed Glass	12 7/8" 12 7/8" (327) (327)	12 7/8" 12 7/8" (327) (327)	18 7/8" 18 7/8" (479) (479)	18 7/8" 18 7/8" (479) (479)		
Available in 3 heights						
	<b>FWOD</b> 4068APLR 40611APLR 4080APLR	<b>FWOD</b> 4068PALR 40611PALR 4080PALR	<b>FWOD</b> 5068APLR 50611APLR 5080APLR	<b>FWOD</b> 5068PALR 50611PALR 5080PALR		
Unit Dimension	5'-3 1/4" (1607)	5'-3 1/4" (1607)	5'-11 1/4" (1810)	5'-11 1/4" (1810)	6'-3 1/4" (1911)	6'-3 1/4" (1911)
Minimum Rough Opening	5'-4" (1626)	5'-4" (1626)	6'-0" (1829)	6'-0" (1829)	6'-4" (1930)	6'-4" (1930)
Unobstructed Glass	20 7/8" 20 7/8" (530) (530)	20 7/8" 20 7/8" (530) (530)	24 7/8" 24 7/8" (632) (632)	24 7/8" 24 7/8" (632) (632)	26 7/8" 26 7/8" (683) (683)	26 7/8" 26 7/8" (683) (683)
Available in 3 heights						
	<b>FWOD</b> 5468APLR 54611APLR 5480APLR	<b>FWOD</b> 5468PALR 54611PALR 5480PALR	<b>FWOD</b> 6068APLR 60611APLR 6080APLR	<b>FWOD</b> 6068PALR 60611PALR 6080PALR	<b>FWOD</b> 6468APLR 64611APLR 6480APLR	<b>FWOD</b> 6468PALR 64611PALR 6480PALR

**A-Series Outswing Door Unit Sizes (continued from [page 11](#))**

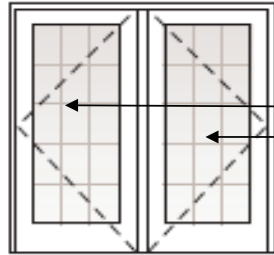
*Unit viewed from exterior.*

# A-Series Outswing Doors (2008 to Present)

Single Panel, 2-Panel, and Stationary Panel

## Unit Sizes

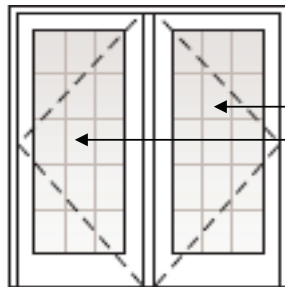
### Replacement Panel Reference



UNIT HANDING = FWOD APLR

ACTIVE REP PANEL HANDING = AP

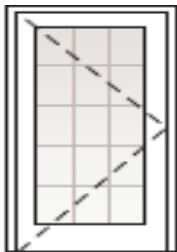
PASSIVE REP PANEL HANDING = PR



UNIT HANDING = FWOD PALR

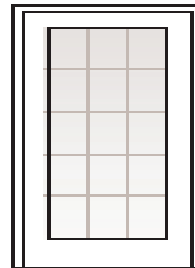
ACTIVE REP PANEL HANDING = PA

PASSIVE REP PANEL HANDING = PL



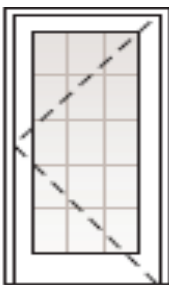
UNIT HANDING = FWODAR

REP PANEL HANDING = AR



UNIT HANDING = FWOD S

REP PANEL HANDING = S



UNIT HANDING = FWOD AL

REP PANEL HANDING = AL

## Product History

---

### Product History

- 2016** Triple pane glass introduced.
- 2015** HeatLock™ glass introduced.
- 2015** 10' height introduced.
- 2008** Hinged Outswing Patio Doors introduced.

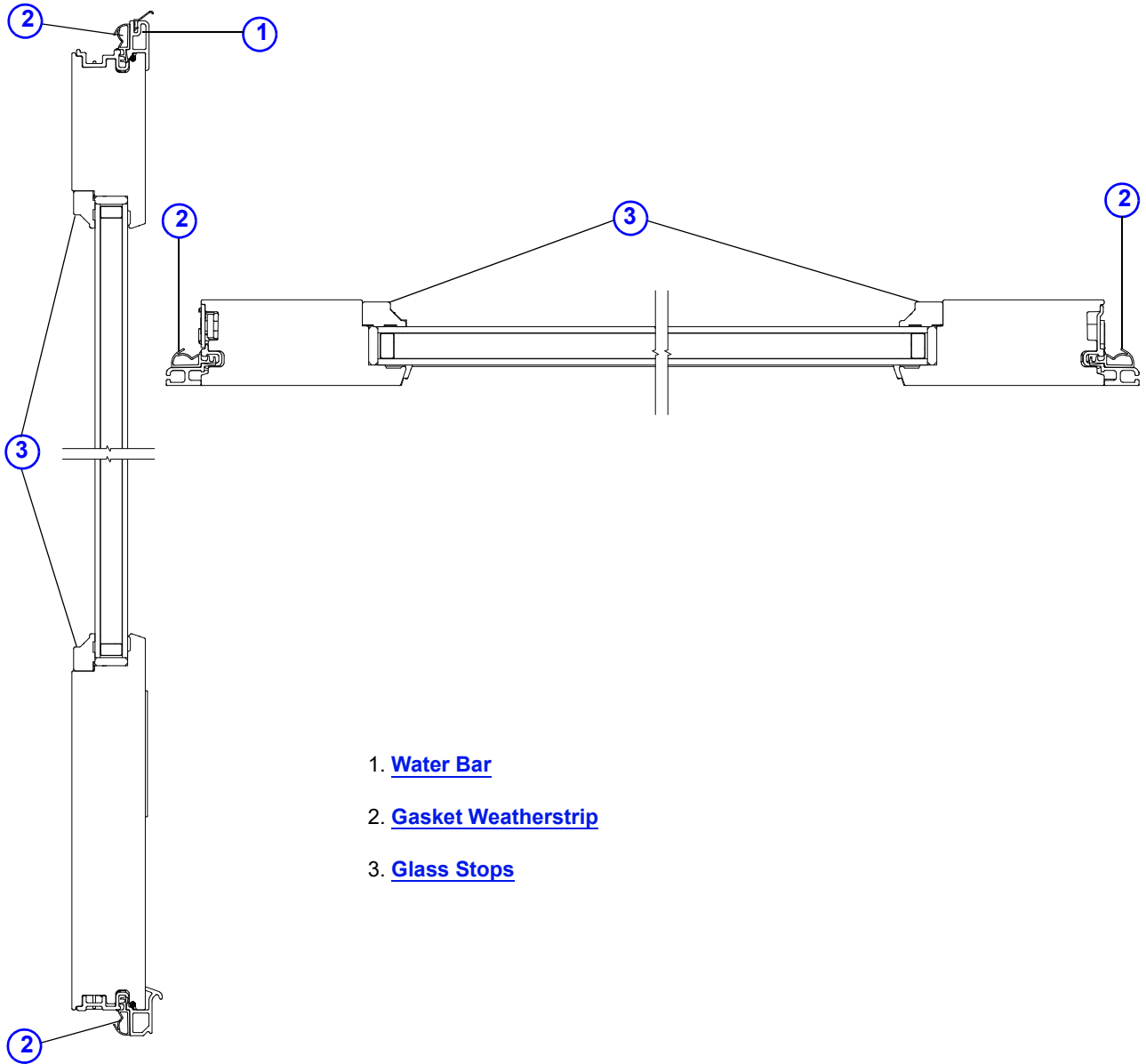
# A-Series Outswing Doors (2008 to Present)

Single Panel, 2-Panel, and Stationary Panel

## Panels - Active

### Active Panel Graphic

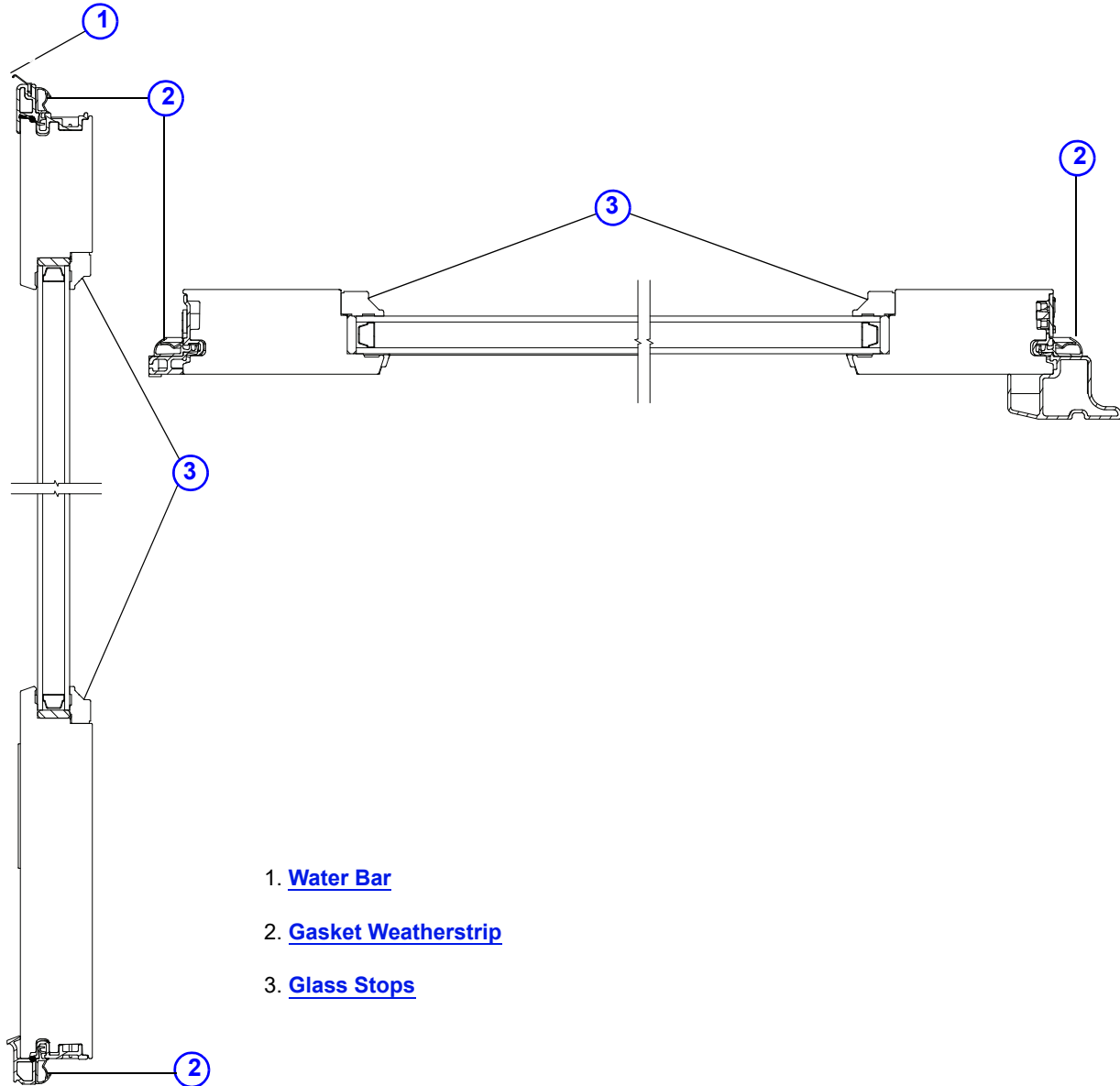
Panel - Active / Single Door / AR/AL



A-Series Outswing Door Active Panel - Single Door (AR/AL)

## Panels - Active

### Panel - Active / Double Door / AP/PA



**A-Series Outswing Door Active Panel - Double Door (AP/PA)**



# A-Series Outswing Doors (2008 to Present)

Single Panel, 2-Panel, and Stationary Panel

## Panels - Active

### Active Panel Size Table

**Note:**

Active Panel is measured outside edge to outside edge of frame. 1" finelight profile is standard.

Unobstructed Glass is dimension from outside edge to outside edge of visible glass only.

Actual Glass is dimension of outside edge to outside edge of glass, including glass that is not visible.

See [Service Guide 0005225](#).

An active panel for a single door cannot be used in double (AP/PA) doors. This product is not intended to be reglazed. Panels with defective glass should be replaced.

#### Size Table - Active Panel / Single Door (AR/AL)

Unit No.	Active Panel (w x h)	Unobstructed Glass (w x h)	Actual Glass (w x h)
FWOD2768A	28 1/2 × 77 3/4	18 7/8 × 63 1/2	20 × 64 9/16
FWOD27611A	28 1/2 × 80 9/16	18 7/8 × 66 3/8	20 × 67 7/16
FWOD2780A	28 1/2 × 93 3/4	18 7/8 × 79 1/2	20 × 80 9/16
FWOD2968A	30 1/2 × 77 3/4	20 7/8 × 63 1/2	22 × 64 9/16
FWOD29611A	30 1/2 × 80 9/16	20 7/8 × 66 3/8	22 × 67 7/16
FWOD2980A	30 1/2 × 93 3/4	20 7/8 × 79 1/2	22 × 80 9/16
FWOD3168A	34 1/2 × 77 3/4	24 7/8 × 63 1/2	26 × 64 9/16
FWOD31611A	34 1/2 × 80 9/16	24 7/8 × 66 3/8	26 × 67 7/16
FWOD3180A	34 1/2 × 93 3/4	24 7/8 × 79 1/2	26 × 80 9/16
FWOD3368	36 1/2 × 77 3/4	26 7/8 × 63 1/2	28 × 64 9/16
FWOD33611	36 1/2 × 80 9/16	26 7/8 × 66 3/8	28 × 67 7/16
FWOD3380	36 1/2 × 93 3/4	26 7/8 × 79 1/2	28 × 80 9/16

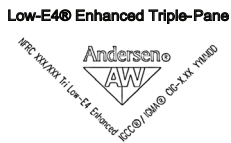
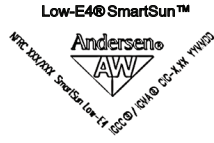
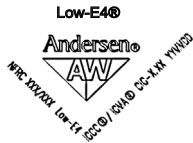
#### Size Table - Active Panel / Double Door (AP/PA)

Unit No.	Active Panel (w x h)	Unobstructed Glass (w x h)	Actual Glass (w x h)
FWOD2168	22 1/2 × 77 3/4	12 7/8 × 63 1/2	14 × 64 9/16
FWOD21611	22 1/2 × 80 9/16	12 7/8 × 66 3/8	14 × 67 7/16
FWOD2180	22 1/2 × 93 3/4	12 7/8 × 79 1/2	14 × 80 9/16
FWOD2768	28 1/2 × 77 3/4	18 7/8 × 63 1/2	20 × 64 9/16
FWOD27611	28 1/2 × 80 9/16	18 7/8 × 66 3/8	20 × 67 7/16
FWOD2780	28 1/2 × 93 3/4	18 7/8 × 79 1/2	20 × 80 9/16
FWOD2968	30 1/2 × 77 3/4	20 7/8 × 63 1/2	22 × 64 9/16
FWOD29611	30 1/2 × 80 9/16	20 7/8 × 66 3/8	22 × 67 7/16
FWOD2980	30 1/2 × 93 3/4	20 7/8 × 79 1/2	22 × 80 9/16
FWOD3168	34 1/2 × 77 3/4	24 7/8 × 63 1/2	26 × 64 9/16
FWOD31611	34 1/2 × 80 9/16	24 7/8 × 66 3/8	26 × 67 7/16
FWOD3180	34 1/2 × 93 3/4	24 7/8 × 79 1/2	26 × 80 9/16
FWOD3368	36 1/2 × 77 3/4	26 7/8 × 63 1/2	28 × 64 9/16
FWOD33611	36 1/2 × 80 9/16	26 7/8 × 66 3/8	28 × 67 7/16
FWOD3380	36 1/2 × 93 3/4	26 7/8 × 79 1/2	28 × 80 9/16

## Panels - Active

### Active Panels - Single Doors

#### Panel - Active / Single Doors



TEMPERED  
 16 CFR 1201.11  
 ANSI Z97.1-2009  
 SGCC XXXX  
 CIG-XX Xmm MM/DD/YR  
 CAN/CGSB 12.1-M9 0

**Note:**

Tempered safety glass is standard on patio doors. Replacement panel for standard and custom-sized doors is made to order. Panel includes gasket.

**Exterior color options:**

White	Canvas	Dove Gray
Terratone	Prairie Grass	Red Rock
Sandtone	Cocoa Bean	Black
Forest Green	Dark Bronze	

**Interior species/finish/color options:**

Pine	Maple	Oak	Mahogany
Douglas Fir	Cherry		
Unfinished	Russet	Espresso	Clear Coat
Honey	Cinnamon	Mocha	
White-Painted	Birch Bark	Primed	Sandtone
Canvas	Terratone	Forest Green	Dove Gray
Prairie Grass	Cocoa Bean	Red Rock	Dark Bronze
Black			

**Glass options:: (See Logo/Etching Examples):**

<b>Low-E4@</b>	<b>Low-E4@ HeatLock</b>	<b>Low-E4@ Triple-Pane</b>
<b>Low-E4@ SmartSun™</b>	<b>Low-E4@ Smart-Sun HeatLock</b>	<b>Low-E4@ Smart-Sun Triple-Pane</b>
Low-E4@ Passive Sun	Low-E4@ Sun Heat-Lock	Low-E4@ Enhanced Triple-Pane
Low-E4@ Sun	Low-E4@ HeatLock	Low-E4@ Smart-Sun Enhanced Triple-Pane
Obscure	Fern	Low-E4@ Enhanced Triple-Pane Heat-Lock
Cascade	Reed	Low-E4@ Smart-Sun Enhanced Triple-Pane HeatLock

To order, state:

Product ID (from product label, see [Service Guide 9051877](#)).

OR

1. Unit or frame size (FWHOD XXXX or frame W x H dimensions)
2. Description of part (Active Panel)
3. Handing (Right, Left)
4. Exterior color of panel
5. Interior wood species of panel
6. Interior finish/color of panel
7. Stop profile (Traditional, Contemporary)
8. Grille profile (Traditional, Contemporary)
9. Hinge finish/color
10. Glazing

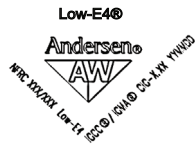
# A-Series Outswing Doors (2008 to Present)

Single Panel, 2-Panel, and Stationary Panel

## Panels - Active

### Active Panels with Astragal - Double Doors (AP)

#### Panel with Astragal - Active / Double Doors (AP)



Low-E4® Triple-Pane



Low-E4® Enhanced Triple-Pane



Low-E4® HeatLock™



Low-E4® SmartSun™ HeatLock™



Low-E4® SmartSun™



Low-E4® SmartSun™ Triple-Pane



Low-E4® Enhanced Triple Pane HeatLock™



Low-E4® SmartSun™ Enhanced Triple Pane HeatLock™



Low-E4® SmartSun™ Enhanced Triple Pane HeatLock™



TEMPERED  
UA SGGC XXXX  
16 CFR 1201.11  
ANSI Z97.1-2009  
CIG-XX Xmm MM/DD/YR  
CAN/CGSB 12.1-M90

#### Note:

Tempered safety glass is standard on patio doors. An active panel for a double door cannot be used in a single door. The active panel is the door that opens first from the exterior and is on the left side of an AP unit when viewed from the exterior. Panel includes gasket. Replacement panel for standard and custom-sized doors is made to order.

#### Exterior color options:

White	Canvas	Dove Gray
Terratone	Prairie Grass	Red Rock
Sandtone	Cocoa Bean	Black
Forest Green	Dark Bronze	

#### Interior species/finish/color options:

Pine	Maple	Oak	Mahogany
Douglas Fir	Cherry		
Unfinished	Russet	Espresso	Clear Coat
Honey	Cinnamon	Mocha	
White-Painted	Birch Bark	Primed	Sandtone
Canvas	Terratone	Forest Green	Dove Gray
Prairie Grass	Cocoa Bean	Red Rock	Dark Bronze
Black			

#### Glass options (See Logo Examples):

Low-E4®	Low-E4® HeatLock	Low-E4® Triple-Pane
Low-E4® SmartSun™	Low-E4® Smart-Sun HeatLock	Low-E4® Smart-Sun Triple-Pane
Low-E4® Passive Sun	Low-E4® Sun Heat-Lock	Low-E4® Enhanced Triple-Pane
Low-E4® Sun	Low-E4® HeatLock	Low-E4® Smart-Sun Enhanced Triple-Pane
Obscure	Fern	Low-E4® Enhanced Triple-Pane Heat-Lock
Cascade	Reed	Low-E4® Smart-Sun Enhanced Triple-Pane HeatLock

To order, state:

Product ID (from product label, see [Service Guide 9051877](#))

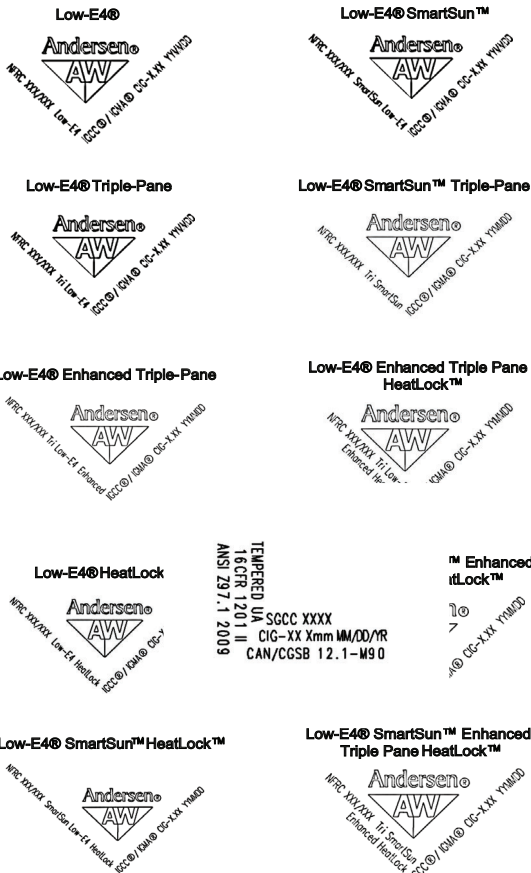
OR

1. Unit or frame size (FWHOD XXXX or frame W x H dimensions)
2. Description of part (AP Active Panel)
3. Exterior color of panel
4. Interior wood species of panel
5. Interior finish/color of panel
6. Stop profile (Traditional, Contemporary)
7. Grille profile (Traditional, Contemporary)
8. Hinge finish/color
9. Glazing

## Panels - Active

### Active Panels with Astragal - Double Doors (PA)

#### Panel with Astragal - Active / Double Doors (PA)



**Note:**

Tempered safety glass is standard on patio doors. An active panel for a double door cannot be used in a single door. The active panel is the door that opens first from the exterior and is on the right side of a PA unit when viewed from the exterior. Panel includes gasket. Replacement panel for standard and custom-sized doors is made to order.

**Exterior color options:**

White	Canvas	Dove Gray
Terratone	Prairie Grass	Red Rock
Sandtone	Cocoa Bean	Black
Forest Green	Dark Bronze	

**Interior species/finish/color options:**

Pine	Maple	Oak	Mahogany
Douglas Fir	Cherry		
Unfinished	Russet	Espresso	Clear Coat
Honey	Cinnamon	Mocha	
White-Painted	Birch Bark	Primed	Sandtone
Canvas	Terratone	Forest Green	Dove Gray
Prairie Grass	Cocoa Bean	Red Rock	Dark Bronze
Black			

**Glass options (See Logo Examples)**

Low-E4®	Low-E4® HeatLock	Low-E4® Triple-Pane
Low-E4® SmartSun™	Low-E4® Smart-Sun HeatLock	Low-E4® Smart-Sun Triple-Pane
Low-E4® Passive Sun	Low-E4® Sun Heat-Lock	Low-E4® Enhanced Triple-Pane
Low-E4® Sun	Low-E4® HeatLock	Low-E4® Smart-Sun Enhanced Triple-Pane
Obscure	Fern	Low-E4® Enhanced Triple-Pane Heat-Lock
Cascade	Reed	Low-E4® Smart-Sun Enhanced Triple-Pane HeatLock

To order, state:

Product ID (from product label, see [Service Guide 9051877](#))

OR

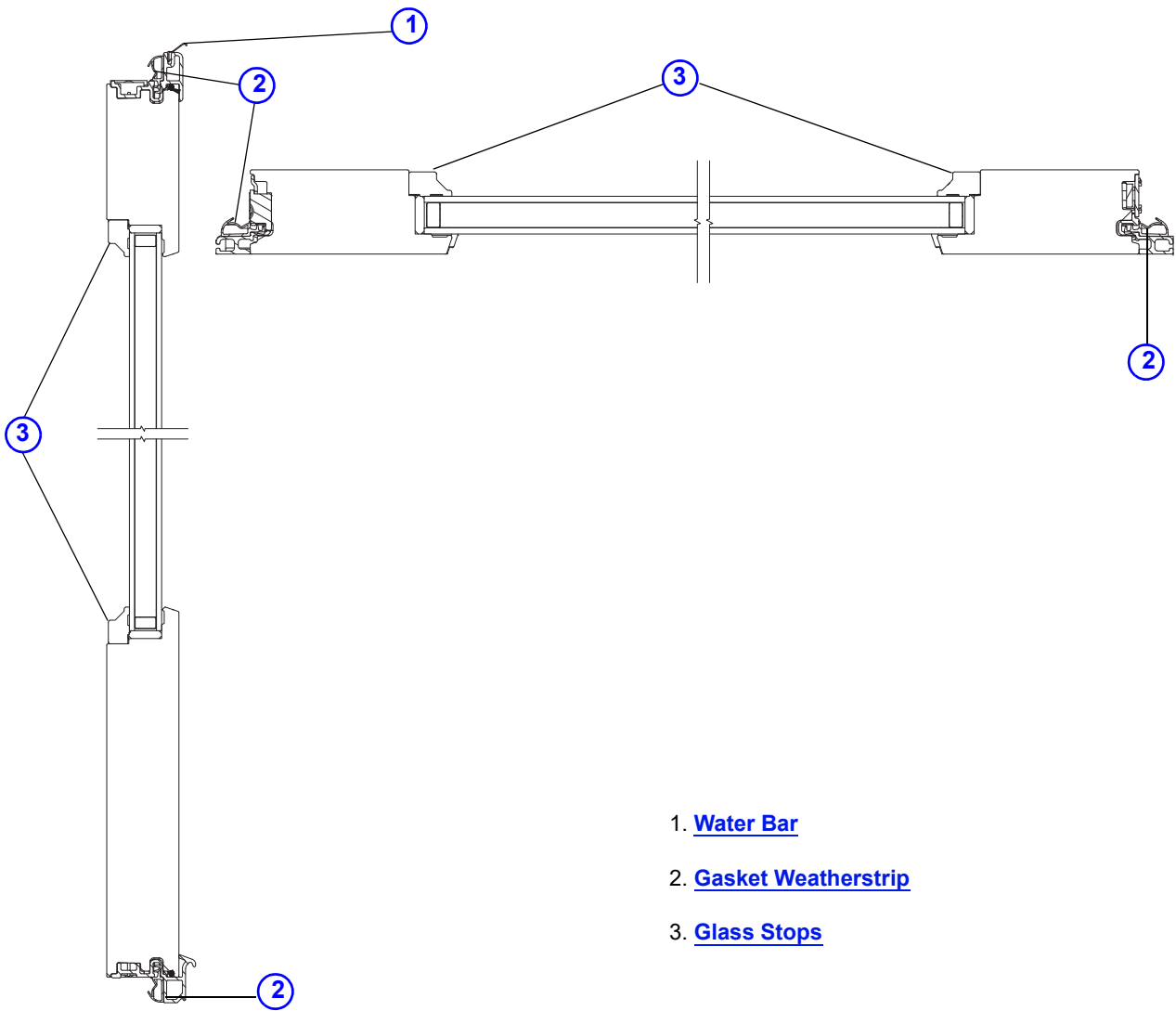
1. Unit or frame size (FWHOD XXXX or frame W x H dimensions)
2. Description of part (PA Active Panel)
3. Exterior color of panel
4. Interior wood species of panel
5. Interior finish/color of panel
6. Stop profile (Traditional, Contemporary)
7. Grille profile (Traditional, Contemporary)
8. Hinge finish/color
9. Glazing
10. Blinds between the glass color (White, Slate Gray)

# A-Series Outswing Doors (2008 to Present)

Single Panel, 2-Panel, and Stationary Panel

## Panels - Passive

### Passive Panel Graphic



- 1. [Water Bar](#)
- 2. [Gasket Weatherstrip](#)
- 3. [Glass Stops](#)

A-Series Outswing Door AP/PA Passive Panel

## Panels - Passive

### Passive Panel Size Table

#### Size Table - Passive Panel / Double Door (AP/PA)

Unit No.	Passive Panel (w x h)	Unobstructed Glass (w x h)	Actual Glass (w x h)
FWOD2168	22 1/2 × 77 3/4	12 7/8 × 63 1/2	14 × 64 9/16
FWOD21611	22 1/2 × 80 9/16	12 7/8 × 66 3/8	14 × 67 7/16
FWOD2180	22 1/2 × 93 3/4	12 7/8 × 79 1/2	14 × 80 9/16
FWOD2768	28 1/2 × 77 3/4	18 7/8 × 63 1/2	20 × 64 9/16
FWOD27611	28 1/2 × 80 9/16	18 7/8 × 66 3/8	20 × 67 7/16
FWOD2780	28 1/2 × 93 3/4	18 7/8 × 79 1/2	20 × 80 9/16
FWOD2968	30 1/2 × 77 3/4	20 7/8 × 63 1/2	22 × 64 9/16
FWOD29611	30 1/2 × 80 9/16	20 7/8 × 66 3/8	22 × 67 7/16
FWOD2980	30 1/2 × 93 3/4	20 7/8 × 79 1/2	22 × 80 9/16
FWOD3168	34 1/2 × 77 3/4	24 7/8 × 63 1/2	26 × 64 9/16
FWOD31611	34 1/2 × 80 9/16	24 7/8 × 66 3/8	26 × 67 7/16
FWOD3180	34 1/2 × 93 3/4	24 7/8 × 79 1/2	26 × 80 9/16
FWOD3368	36 1/2 × 77 3/4	26 7/8 × 63 1/2	28 × 64 9/16
FWOD33611	36 1/2 × 80 9/16	26 7/8 × 66 3/8	28 × 67 7/16
FWOD3380	36 1/2 × 93 3/4	26 7/8 × 79 1/2	28 × 80 9/16

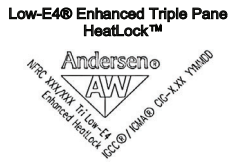
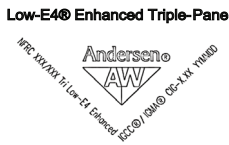
# A-Series Outswing Doors (2008 to Present)

Single Panel, 2-Panel, and Stationary Panel

## Panels - Passive

### Passive Panels

#### Panel without Astragal - Passive



TEMPERED  
UA SGCC XXXX  
16 CFR 1201.11  
ANSI Z97.1-2009  
CIG-XX Xmm MM/DD/YR  
CAN/CGSB 12.1-M9 0

#### Note:

Tempered safety glass is standard on patio doors. Replacement panel for standard and custom-sized doors is made to order. Panel includes gasket.

See [Service Guide 0005225](#).

#### Exterior color options:

White	Canvas	Dove Gray
Terratone	Prairie Grass	Red Rock
Sandtone	Cocoa Bean	Black
Forest Green	Dark Bronze	

#### Interior species/finish/color options:

Pine	Maple	Oak	Mahogany
Douglas Fir	Cherry		
Unfinished	Russet	Espresso	Clear Coat
Honey	Cinnamon	Mocha	
White-Painted	Birch Bark	Primed	Sandtone
Canvas	Terratone	Forest Green	Dove Gray
Prairie Grass	Cocoa Bean	Red Rock	Dark Bronze
Black			

#### Glass options: (See Logo/Etching Examples):

Low-E4®	Low-E4® HeatLock	Low-E4® Triple-Pane
Low-E4® SmartSun™	Low-E4® Smart-Sun HeatLock	Low-E4® Smart-Sun Triple-Pane
Low-E4® Passive Sun	Low-E4® Sun Heat-Lock	Low-E4® Enhanced Triple-Pane
Low-E4® Sun	Low-E4® HeatLock	Low-E4® Smart-Sun Enhanced Triple-Pane
Obscure	Fern	Low-E4® Enhanced Triple-Pane Heat-Lock
Cascade	Reed	Low-E4® Smart-Sun Enhanced Triple-Pane HeatLock

To order, state:

Product ID (from product label, see [Service Guide 9051877](#))

OR

1. Unit or frame size (FWHOD XXXX or frame W x H dimensions)
2. Description of part (Passive Panel)
3. Handing (Right, Left)
4. Exterior color of panel
5. Interior wood species of panel
6. Interior finish/color of panel
7. Stop profile (Traditional, Contemporary)
8. Grille profile (Traditional, Contemporary)
9. Glazing

## Panels - Passive

### Panel Astragal with Screws - Passive (AP) / Stainless Steel Hardware

**Note:**

Astragal with color/species configurations not shown available by description.

### Panel Astragal with Screws - Passive (AP) / Stainless Steel Hardware / Pine Interior

Unit No.	Dimensions	Exterior					
		White	Terratone	Sandtone	Forest Green	Canvas	Prairie Grass
		Pine Interior					
FWOD68AP	77 3/4	9067501	9067507	9067504	9067510	9067513	9067528
FWOD611AP	80 3/4	9067502	9067508	9067505	9067511	9067514	9067529
FWOD80AP	93 3/4	9067503	9067509	9067506	9067512	9067515	9067530

Unit No.	Dimensions	Exterior				
		Cocoa Bean	Dove Gray	Red Rock	Black	Dark Bronze
		Pine Interior				
FWOD68AP	77 3/4	9067522	9067525	9067516	9067519	9067681
FWOD611AP	80 3/4	9067523	9067526	9067517	9067520	9067682
FWOD80AP	93 3/4	9067524	9067527	9067518	9067521	9067683

### Panel Astragal with Screws - Passive (AP) / Stainless Steel Hardware / Maple Interior

Unit No.	Dimensions	Exterior					
		White	Terratone	Sandtone	Forest Green	Canvas	Prairie Grass
		Maple Interior					
FWOD68AP	77 3/4	9067561	9067567	9067564	9067570	9067573	9067588
FWOD611AP	80 3/4	9067562	9067568	9067565	9067571	9067574	9067589
FWOD80AP	93 3/4	9067563	9067569	9067566	9067572	9067575	9067590

Unit No.	Dimensions	Exterior				
		Cocoa Bean	Dove Gray	Red Rock	Black	Dark Bronze
		Maple Interior				
FWOD68AP	77 3/4	9067582	9067585	9067576	9067579	9067687
FWOD611AP	80 3/4	9067583	9067586	9067577	9067580	9067688
FWOD80AP	93 3/4	9067584	9067587	9067578	9067581	9067689

### Panel Astragal with Screws - Passive (AP) / Stainless Steel Hardware / Oak Interior

Unit No.	Dimensions	Exterior					
		White	Terratone	Sandtone	Forest Green	Canvas	Prairie Grass
		Oak Interior					
FWOD68AP	77 3/4	9067531	9067537	9067534	9067540	9067543	9067558
FWOD611AP	80 3/4	9067532	9067538	9067535	9067541	9067544	9067559
FWOD80AP	93 3/4	9067533	9067539	9067536	9067542	9067545	9067560

Unit No.	Dimensions	Exterior				
		Cocoa Bean	Dove Gray	Red Rock	Black	Dark Bronze
		Oak Interior				
FWOD68AP	77 3/4	9067552	9067555	9067546	9067549	9067684
FWOD611AP	80 3/4	9067553	9067556	9067547	9067550	9067685
FWOD80AP	93 3/4	9067554	9067557	9067548	9067551	9067686



# A-Series Outswing Doors (2008 to Present)

Single Panel, 2-Panel, and Stationary Panel

## Panels - Passive

### Panel Astragal with Screws - Passive (PA) / Stainless Steel Hardware

**Note:**

Astragal with color/species configurations not shown available by description.

### Panel Astragal with Screws - Passive (PA) / Stainless Steel Hardware / Pine Interior

Unit No.	Dimensions	Exterior					
		White	Terratone	Sandtone	Forest Green	Canvas	Prairie Grass
		Pine Interior					
FWOD68PA	77 3/4	9067591	9067597	9067594	9067600	9067603	9067618
FWOD611PA	80 3/4	9067592	9067598	9067595	9067601	9067604	9067619
FWOD80PA	93 3/4	9067593	9067599	9067596	9067602	9067605	9067620

Unit No.	Dimensions	Exterior				
		Cocoa Bean	Dove Gray	Red Rock	Black	Dark Bronze
		Pine Interior				
FWOD68PA	77 3/4	9067612	9067615	9067606	9067609	9067690
FWOD611PA	80 3/4	9067613	9067616	9067607	9067610	9067691
FWOD80PA	93 3/4	9067614	9067617	9067608	9067611	9067692

### Panel Astragal with Screws - Passive (PA) / Stainless Steel Hardware / Maple Interior

Unit No.	Dimensions	Exterior					
		White	Terratone	Sandtone	Forest Green	Canvas	Prairie Grass
		Maple Interior					
FWOD68PA	77 3/4	9067651	9067657	9067654	9067660	9067663	9067678
FWOD611PA	80 3/4	9067652	9067658	9067655	9067661	9067664	9067679
FWOD80PA	93 3/4	9067653	9067659	9067656	9067662	9067665	9067680

Unit No.	Dimensions	Exterior				
		Cocoa Bean	Dove Gray	Red Rock	Black	Dark Bronze
		Maple Interior				
FWOD68PA	77 3/4	9067672	9067675	9067666	9067669	9067696
FWOD611PA	80 3/4	9067673	9067676	9067667	9067670	9067697
FWOD80PA	93 3/4	9067674	9067677	9067668	9067671	9067698

### Panel Astragal with Screws - Passive (PA) / Stainless Steel Hardware / Oak Interior

Unit No.	Dimensions	Exterior					
		White	Terratone	Sandtone	Forest Green	Canvas	Prairie Grass
		Oak Interior					
FWOD68PA	77 3/4	9067621	9067627	9067624	9067630	9067633	9067648
FWOD611PA	80 3/4	9067622	9067628	9067625	9067631	9067634	9067649
FWOD80PA	93 3/4	9067623	9067629	9067626	9067632	9067635	9067650

Unit No.	Dimensions	Exterior				
		Cocoa Bean	Dove Gray	Red Rock	Black	Dark Bronze
		Oak Interior				
FWOD68PA	77 3/4	9067642	9067645	9067636	9067639	9067693
FWOD611PA	80 3/4	9067643	9067646	9067637	9067640	9067694
FWOD80PA	93 3/4	9067644	9067647	9067638	9067641	9067695

## Panels - Passive

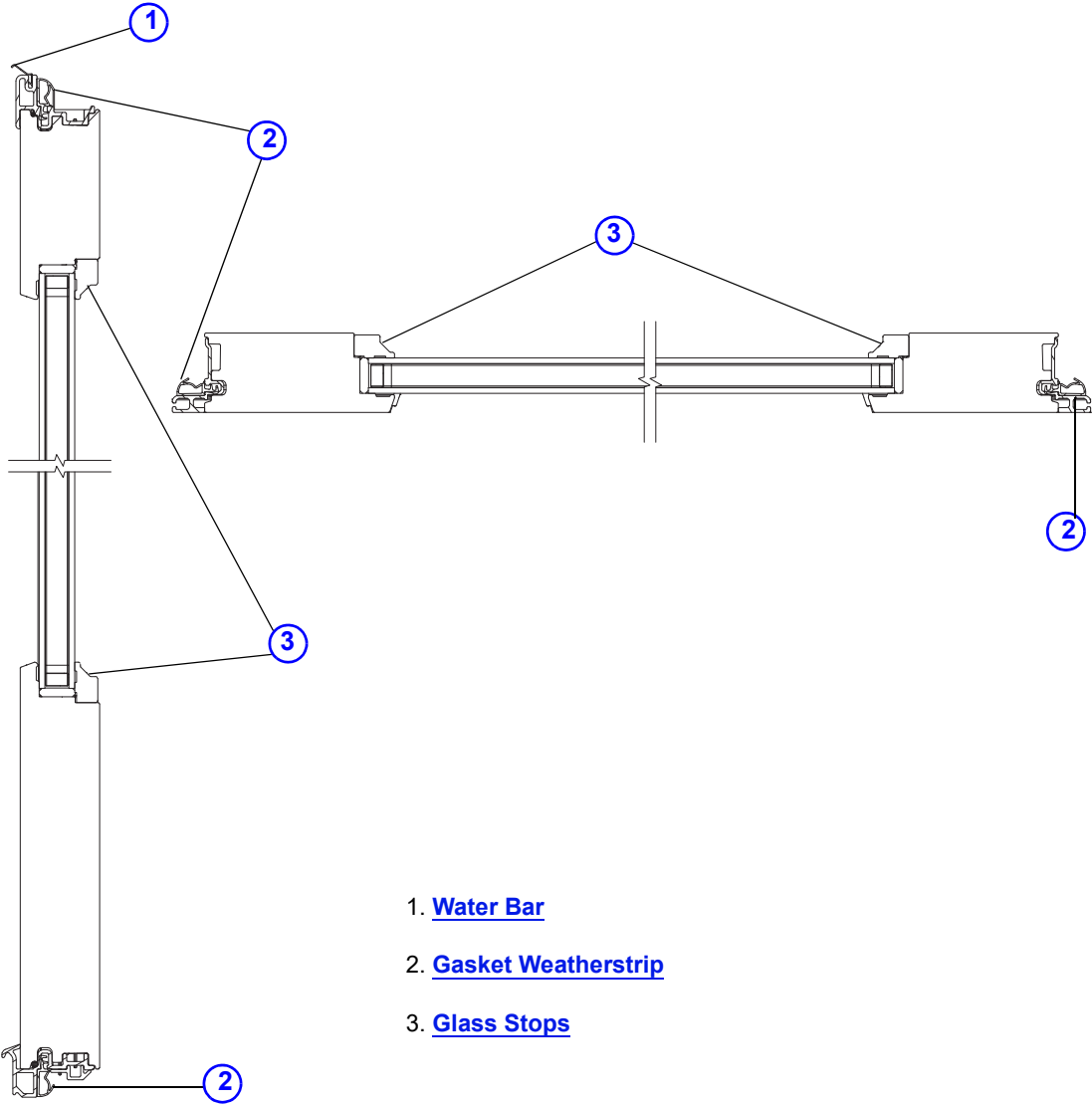
Panel Parts - Passive		
Astragal Transition Plate		
		<b>Order No.</b>
		2573334
Plug		
		<b>Order No.</b>
		2573626
Bracket - Lock / Double Door (AP/PA) / Left Hand Lower and Right Hand Upper		
		<b>Order No.</b>
		9001705
Bracket - Lock / Double Door (AP/PA) / Left Hand Upper and Right Hand Lower		
		<b>Order No.</b>
		9001704
Hardware Pack - Astragal		
<b>Note:</b> Qty 2 - Astragal Transition Plate Qty 6 - Screw, 10-12 X 3-1/2 TYP A PH FL 302 SS		<b>Order No.</b>
		9067700
Screw - Astragal		
	<b>Description</b>	<b>Stainless Steel</b>
	10-12 x 3 1/2"	2579414
U Clip <i>(March 2003 to Present)</i>		
	<b>Note:</b> Use with stainless steel lock mechanism. Used on AP/PA latch bolt receiver.	<b>Order No.</b>
		2579427

# A-Series Outswing Doors (2008 to Present)

Single Panel, 2-Panel, and Stationary Panel

## Panels - Stationary

### Stationary Panel Graphic



- 1. [Water Bar](#)
- 2. [Gasket Weatherstrip](#)
- 3. [Glass Stops](#)

A-Series Outswing Door Stationary Panel

## Panels - Stationary

### Stationary Panel Size Table

**Note:**

Stationary Panel is measured outside edge to outside edge of frame.

Unobstructed Glass is dimension from outside edge to outside edge of visible glass only.

Actual Glass is dimension of outside edge to outside edge of glass, including glass that is not visible.

#### Size Table - Stationary Panel

Unit No.	Stationary Panel (w x h)	Unobstructed Glass (w x h)	Actual Glass (w x h)
FWOD2168	22 1/2 × 77 3/4	12 7/8 × 63 1/2	14 × 64 9/16
FWOD21611	22 1/2 × 80 9/16	12 7/8 × 66 3/8	14 × 67 7/16
FWOD2180	22 1/2 × 93 3/4	12 7/8 × 79 1/2	14 × 80 9/16
FWOD2768	28 1/2 × 77 3/4	18 7/8 × 63 1/2	20 × 64 9/16
FWOD27611	28 1/2 × 80 9/16	18 7/8 × 66 3/8	20 × 67 7/16
FWOD2780	28 1/2 × 93 3/4	18 7/8 × 79 1/2	20 × 80 9/16
FWOD2968	30 1/2 × 77 3/4	20 7/8 × 63 1/2	22 × 64 9/16
FWOD29611	30 1/2 × 80 9/16	20 7/8 × 66 3/8	22 × 67 7/16
FWOD2980	30 1/2 × 93 3/4	20 7/8 × 79 1/2	22 × 80 9/16
FWOD3168	34 1/2 × 77 3/4	24 7/8 × 63 1/2	26 × 64 9/16
FWOD31611	34 1/2 × 80 9/16	24 7/8 × 66 3/8	26 × 67 7/16
FWOD3180	34 1/2 × 93 3/4	24 7/8 × 79 1/2	26 × 80 9/16
FWOD3368	36 1/2 × 77 3/4	26 7/8 × 63 1/2	28 × 64 9/16
FWOD33611	36 1/2 × 80 9/16	26 7/8 × 66 3/8	28 × 67 7/16
FWOD3380	36 1/2 × 93 3/4	26 7/8 × 79 1/2	28 × 80 9/16

# A-Series Outswing Doors (2008 to Present)

Single Panel, 2-Panel, and Stationary Panel

## Panels - Stationary

### Stationary Panels

#### Panel - Stationary



TEMPERED UN  
16 CFR 1201 II  
ANSI Z97.1 2009  
SGCC XXXX  
CIG-XX Xmm MM/DD/YR  
CAN/CGSB 12.1-M90

#### Note:

Replacement panel for standard and custom-sized doors is made to order. Panel ships with panel stops and clips. See [Service Guide 902093](#).

#### Exterior color options:

White	Canvas	Dove Gray
Terratone	Prairie Grass	Red Rock
Sandtone	Cocoa Bean	Black
Forest Green	Dark Bronze	

#### Interior species/finish/color options:

Pine	Maple	Oak	Mahogany
Douglas Fir	Cherry		
Unfinished	Russet	Espresso	Clear Coat
Honey	Cinnamon	Mocha	
White-Painted	Birch Bark	Primed	Sandtone
Canvas	Terratone	Forest Green	Dove Gray
Prairie Grass	Cocoa Bean	Red Rock	Dark Bronze
Black			

#### Glass options: (See Logo/Etching Examples)

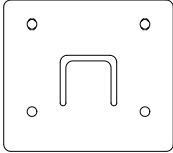
Low-E4®	Low-E4® HeatLock	Low-E4® Triple-Pane
Low-E4® SmartSun™	Low-E4® Smart-Sun HeatLock	Low-E4® Smart-Sun Triple-Pane
Low-E4® Passive Sun	Low-E4® Sun Heat-Lock	Low-E4® Enhanced Triple-Pane
Low-E4® Sun	Low-E4® HeatLock	Low-E4® Smart-Sun Enhanced Triple-Pane
Obscure	Fern	Low-E4® Enhanced Triple-Pane Heat-Lock
Cascade	Reed	Low-E4® Smart-Sun Enhanced Triple-Pane HeatLock

To order, state:

Product ID (from product label, see [Service Guide 9051877](#))  
OR

1. Unit or frame size (FWHOD XXXX or frame W x H dimensions)
2. Description of part (Stationary Panel)
3. Exterior color of panel
4. Interior wood species of panel
5. Interior finish/color of panel
6. Stop profile (Traditional, Contemporary)
7. Grille profile (Traditional, Contemporary)
8. Glazing
9. Blinds between the glass color (White, Slate Gray)
10. Blinds between the glass controller location as viewed from the interior (Left, Right)

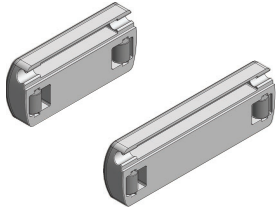
## Panels - Stationary

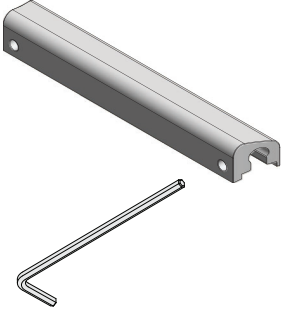
Stationary Panel Hardware Kit		
	<p><b>Kit Includes:</b>                      (8) Clips                      (16) Fasteners  <a href="#">Service Guide 9020093</a></p>	<p><b>Order No.</b>                      9020153</p>

# A-Series Outswing Doors (2008 to Present)

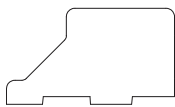
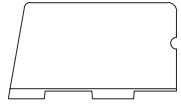
Single Panel, 2-Panel, and Stationary Panel

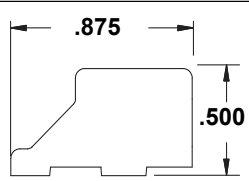
## Shared Panel Parts

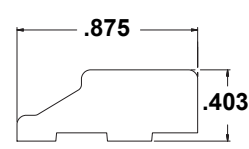
Panel Parts - Blinds Between the Glass					
Operator Kit W/End Cap - Blinds Between the Glass					
Tilt/Height Adjustment		Unit No.	Color	Type	Order No.
		All	White	Tilt/Height	9179702
			Slate Gray		9184898

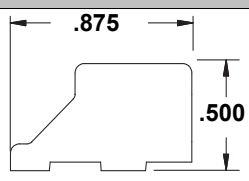
Intermediate Stop Kit - Blinds Between the Glass					
<b>Note:</b> See <a href="#">Accessory Guide 9184899</a> . Kit includes intermediate stop, hex key and set screws.					
		Unit No.	Color	Type	Order No.
		FWD	White	Strike	9184901
			Slate Gray		9184902

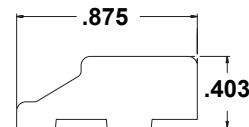
## Shared Panel Parts

Glass Stops		<p><b>Note:</b> Rail and stile glass stops for <b>custom-sized</b> doors are made to order. Product ID label is located on top edge of operating panel. 1 inch glass stops are used with Art Glass, Security Glass and Blinds Between the Glass (BBG). * "Front end screen"</p> <p><i>To order, state:</i></p> <ol style="list-style-type: none"> <li><b>Description of Part (Glass Stop, Rail or Stile)</b></li> <li><b>Type (Traditional, Contemporary)</b></li> <li><b>Species/Finish/Color</b></li> <li><b>Glass Type</b></li> <li><b>Unit Dimension (Width x Height)</b></li> <li><b>Quantity</b></li> <li><b>Product ID (from product label), see <a href="#">Service Guide 9051877</a>.</b></li> </ol>
 <b>Traditional</b>	 <a href="#">Contemporary</a>	

Traditional Glass Stop - Rail / Standard Glazing									
	FWD	Length	Pine	Maple	Oak	White	Primed	Birch Bark	Black
	21	13 <sup>15</sup> / <sub>32</sub>	9000610	9000628	9000619	*	*	*	*
	27	19 <sup>15</sup> / <sub>32</sub>	9000609	9000627	9000618	9051065	9051060	9051055	9185645
	29	21 <sup>15</sup> / <sub>32</sub>	9000608	9000626	9000617	9051066	9051061	9051056	9185646
	31	25 <sup>15</sup> / <sub>32</sub>	9000607	9000625	9000616	9051067	9051062	9051057	9185650
	33	27 <sup>15</sup> / <sub>32</sub>	9000606	9000624	9000615	9051068	9051063	9051058	9185652

Traditional Glass Stop - Rail / 1 Inch Glazing									
<b>Note:</b> Used with Art Glass, Security Glass and Blinds Between the Glass (BBG). Lengths not shown available by description.									
	FWD	Length	Pine	Maple	Oak	White	Primed	Birch Bark	Black
	21	13 <sup>1</sup> / <sub>2</sub>							
	27	19 <sup>1</sup> / <sub>2</sub>	9018062	9018072	9018067	9050993	9050988	*	
	29	21 <sup>1</sup> / <sub>2</sub>	9018063	9018073	9018068	9050994	9050989	9050984	9185644
	31	25 <sup>1</sup> / <sub>2</sub>	9018064	9018074	9018069	9050995	9050990	*	9185649
	33	27 <sup>1</sup> / <sub>2</sub>	9018065	9018075	9018070	9050996	9050991	9050986	9185651

Traditional Glass Stop - Stile / Standard Glazing									
	FWD	Length	Pine	Maple	Oak	White	Primed	Birch Bark	Black
	68	65 <sup>5</sup> / <sub>32</sub>	9001645	9001653	9001649	9051051	9051103	9051045	9185659
	611	68 <sup>1</sup> / <sub>32</sub>	9001646	9001654	9001650	9051052	9051049	9051046	9185666
	80	81 <sup>5</sup> / <sub>32</sub>	9001648	9001656	9001652	9051053	9051050	9051047	9185661
	100	105 <sup>5</sup> / <sub>32</sub>	9132279	9132281	9132280	9133938	9133945	9133952	9185664

Traditional Glass Stop - Stile / 1 Inch Glazing									
<b>Note:</b> Used with Art Glass, Security Glass and Blinds Between the Glass (BBG). Lengths not shown available by description.									
	FWD	Length	Pine	Maple	Oak	White	Primed	Birch Bark	Black
	68	65 <sup>5</sup> / <sub>32</sub>	9018031	9018041	9018036	9050978	9050974	9050970	9185658
	611	68 <sup>1</sup> / <sub>32</sub>	9018032	9018042	9018037	9050979	9050975	9050971	9185665
	80	81 <sup>5</sup> / <sub>32</sub>	9018034	9018044	9018039	9050980	9050976	9050972	9185660
	100	105 <sup>5</sup> / <sub>32</sub>	9018035	9018045	9018040	9050981	9050977	9050973	9185663



# A-Series Outswing Doors (2008 to Present)

Single Panel, 2-Panel, and Stationary Panel

## Shared Panel Parts

Contemporary Glass Stop - Rail / Standard Glazing									
	FWHICD	Length	Pine	Maple	Oak	White	Primed	Birch Bark	Black
	21	13 <sup>1</sup> / <sub>32</sub>	*			*	*	*	*
	27	19 <sup>1</sup> / <sub>32</sub>	9187542	9187552	9187547	9187636	9187631	9187626	9187690
	29	21 <sup>1</sup> / <sub>32</sub>	9187543	9187553	9187548	9187637	9187632	9187627	9187691
	31	25 <sup>1</sup> / <sub>32</sub>	9187544	9187554	9187549	9187638	9187633	9187628	9187693
	33	27 <sup>1</sup> / <sub>32</sub>	9187545	9187555	9187550	9187639	9187634	9187629	9187694

Contemporary Glass Stop - Rail / 1 Inch Glazing									
<b>Note:</b>									
Used with Art Glass, Security Glass and Blinds Between the Glass (BBG). Lengths not shown available by description.									
	FWHICD	Length	Pine	Maple	Oak	White	Primed	Birch Bark	Black
	21	13 <sup>1</sup> / <sub>32</sub>							
	27	19 <sup>1</sup> / <sub>32</sub>	9187408			9187484	9187479		
	29	21 <sup>1</sup> / <sub>32</sub>	9187409			9187485	9187480	9187475	
	31	25 <sup>1</sup> / <sub>32</sub>	9187410			9187486	9187481		9187525
	33	27 <sup>1</sup> / <sub>32</sub>	9187411	9187421	9187416	9187487	9187482	9187477	9187526

Contemporary Glass Stop - Stile / Standard Glazing									
	FWHICD	Length	Pine	Maple	Oak	White	Primed	Birch Bark	Black
	68	69 <sup>5</sup> / <sub>16</sub>	9187532	9187538	9187535	9187622	9187619	9187616	9187698
	611	72 <sup>3</sup> / <sub>16</sub>	9187533	9187539	9187536	9187623	9187620	9187617	9187701
	80	85 <sup>5</sup> / <sub>16</sub>	9187534	9187540	9187537	9187624	9187621	9187618	9187699
	100	109 <sup>5</sup> / <sub>16</sub>	9188191	9188193	9188192	9187679	9187680	9187681	9187700

Contemporary Glass Stop - Stile / 1 Inch Glazing									
<b>Note:</b>									
Used with Art Glass, Security Glass and Blinds Between the Glass (BBG). Lengths not shown available by description.									
	FWHICD	Length	Pine	Maple	Oak	White	Primed	Birch Bark	Black
	68	69 <sup>5</sup> / <sub>16</sub>	9187383	9187389	9187386	9187469	9187465	9187461	9187528
	611	72 <sup>3</sup> / <sub>16</sub>	9187384	9187390	9187387	9187470	9187466	9187462	9187531
	80	85 <sup>5</sup> / <sub>16</sub>	9187385	9187391	9187388	9187471	9187467	9187463	9187529
	100	109 <sup>5</sup> / <sub>16</sub>	9188184	9188186	9188185	9187472	9187468	9187464	9187530

## Shared Panel Parts

### Gasket Weatherstrip

**Note:**

Active, passive, and stationary panels use the same gasket weatherstrip. Weatherstrip replacement on passive panels requires the astragal to be removed.

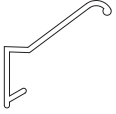
See [Weatherstrip Replacement Video](#).

**Weatherstrip - Gasket** Ref. No. 2 [page 15](#), [page 16](#), [page 21](#), and [page 27](#)

Unit No.	Gray	Unit No.	Gray
FWO2168	9013284	FWO2976	9013290
FWO21611	9013285	FWO2980	2579030
FWO2176	9013286	FWO3168	2579031
FWO2180	9013287	FWO31611	2579032
FWO2768	2579025	FWO3176	9013291
FWO27611	2579026	FWO3180	2579033
FWO2776	9013289	FWO3368	9013292
FWO2780	2579027	FWO33611	9013293
FWO2968	2579028	FWO3376	9013294
FWO29611	2579029	FWO3380	9013295

### Water Bars

**Top Rail Water Bar** Ref. No. 1 [page 15](#), [page 16](#), [page 21](#), and [page 27](#)

	Unit No.	Dimensions	Gray
	FWOD21	22 <sup>7</sup> / <sub>16</sub>	9013308
	FWOD27	26 <sup>7</sup> / <sub>16</sub>	2578569
	FWOD29	28 <sup>7</sup> / <sub>16</sub>	2578570
	FWOD31	32 <sup>7</sup> / <sub>16</sub>	2578571
	FWOD33	39 <sup>7</sup> / <sub>16</sub>	9013309

# A-Series Outswing Doors (2008 to Present)

Single Panel, 2-Panel, and Stationary Panel

## Insect Screens

### Insect Screens - Retractable (2008 - April 2024)

**Note:**

See [Accessory Guide 0005479](#) and [Accessory Guide 0005480](#).

See [Installation Video: Installing Retractable Insect Screens on Patio Doors](#).

### Insect Screen - Retractable (2008 - April 2024)

Unit No.	White		Gold Dust		Pine	
	Left	Right	Left	Right	Left	Right
<b>FWO(D)2768</b>	2530012	2530024	By description	By description	By description	By description
<b>FWO(D)27611</b>	2530013	2530025	By description	By description	By description	By description
<b>FWO(D)2780</b>	2530014	2530026	By description	By description	By description	By description
<b>FWO(D)2968</b>	2530015	2530027	By description	By description	By description	By description
<b>FWO(D)29611</b>	2530016	2530028	By description	By description	By description	By description
<b>FWO(D)2980</b>	2530017	2530029	By description	By description	By description	By description
<b>FWO(D)3168</b>	2530018	2530030	By description	By description	By description	By description
<b>FWO(D)31611</b>	2530019	2530031	By description	By description	By description	By description
<b>FWO(D)3180</b>	2530020	2530032	By description	By description	By description	By description
<b>FWO(D)3368</b>	9008392	9008395	By description	By description	By description	By description
<b>FWO(D)33611</b>	9008393	9008396	By description	By description	By description	By description

### Insect Screen - Retractable (2008 - April 2024)

	Unit No.	Oak		Maple	
		Left	Right	Left	Right
	<b>FWO(D)2768</b>	By description	By description	By description	By description
	<b>FWO(D)27611</b>	By description	By description	By description	By description
	<b>FWO(D)2780</b>	By description	By description	By description	By description
	<b>FWO(D)2968</b>	By description	By description	By description	By description
	<b>FWO(D)29611</b>	By description	By description	By description	By description
	<b>FWO(D)2980</b>	By description	By description	By description	By description
	<b>FWO(D)3168</b>	By description	By description	By description	By description
	<b>FWO(D)31611</b>	By description	By description	By description	By description
	<b>FWO(D)3180</b>	By description	By description	By description	By description
	<b>FWO(D)3368</b>	By description	By description	By description	By description
	<b>FWO(D)33611</b>	By description	By description	By description	By description
	<b>FWO(D)3380</b>	By description	By description	By description	By description

## Insect Screens

<b>Insect Screen - Retractable (2008 - April 2024)</b>						
	<b>Unit No.</b>	<b>White</b>	<b>Gold Dust</b>	<b>Pine</b>	<b>Oak</b>	<b>Maple</b>
	<b>FWO(D)4068</b>	9008398	By description	By description	By description	By description
	<b>FWO(D)40611</b>	9008399	By description	By description	By description	By description
	<b>FWO(D)4080</b>	9008400	By description	By description	By description	By description
	<b>FWO(D)5068</b>	2530036	By description	By description	By description	By description
	<b>FWO(D)50611</b>	2530037	By description	By description	By description	By description
	<b>FWO(D)5080</b>	2530038	By description	By description	By description	By description
	<b>FWO(D)5468</b>	2530039	By description	By description	By description	By description
	<b>FWO(D)54611</b>	2530040	By description	By description	By description	By description
	<b>FWO(D)5480</b>	2530041	By description	By description	By description	By description
	<b>FWO(D)6068</b>	2530042	By description	By description	By description	By description
	<b>FWO(D)60611</b>	2530043	By description	By description	By description	By description
	<b>FWO(D)6080</b>	2530044	By description	By description	By description	By description
	<b>FWO(D)6468</b>	9008401	By description	By description	By description	By description
	<b>FWO(D)64611</b>	9008402	By description	By description	By description	By description
	<b>FWO(D)6480</b>	9008403	By description	By description	By description	By description

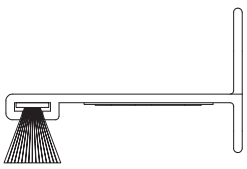
<b>Insect Screen Parts - Retractable (2008 - April 2024)</b>					
<b>Track- Bottom / Insect Screen / Retractable (2008 - April 2024)</b>					
	<b>Unit No.</b>	<b>Length</b>	<b>White</b>	<b>Gray</b>	<b>Gold Dust</b>
	<b>FWO(D)27</b>	26 1/16	2562471	9017282	9018538
	<b>FWO(D)29</b>	28 1/16	2562472	9017283	9018539
	<b>FWO(D)31</b>	32 1/16	2562473	9017284	9018540
	<b>FWO(D)33</b>	34 1/16		9017285	9018541
	<b>FWO(D)41</b>	42 1/16	2562474	9017287	9018543
	<b>FWO(D)50</b>	53 1/4	2562475	9017288	9018544
	<b>FWO(D)54</b>	57 1/4	2562476	9017289	9018545
	<b>FWO(D)60</b>	65 1/4	2562477	9017290	9018546
	<b>FWO(D)64</b>	69 1/4	9008409	9017291	9018547

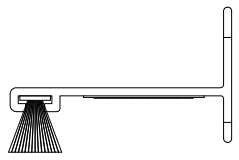
<b>Track - Side / Insect Screen / Retractable (2008 - April 2024)</b>					
	<b>Unit No.</b>	<b>Length</b>	<b>White</b>	<b>Gray</b>	<b>Gold Dust</b>
	<b>FWO(D)68</b>	77 1/16	2562478	9017292	9018548
	<b>FWO(D)611</b>	79 15/16	2562479	9017293	9018549
	<b>FWO(D)80</b>	93 1/16	2562480	9017295	9018551

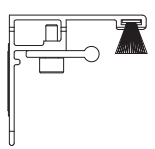
# A-Series Outswing Doors (2008 to Present)

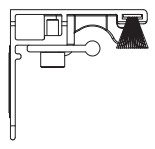
Single Panel, 2-Panel, and Stationary Panel

## Insect Screens

Track - Top / Exterior / Single / Insect Screen / Retractable (2008 - April 2024)					
	Unit No.	Length	White	Gray	Gold Dust
	FWO(D)27	25 3/4	2562486	9017296	9018552
	FWO(D)29	27 3/4	2562487	9017297	9018553
	FWO(D)31	31 3/4	2562488	9017298	9018554
	FWO(D)33	33 3/4	9008413	9017299	9018555

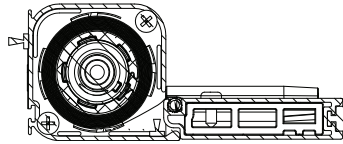
Track - Top / Exterior / Double / Insect Screen / Retractable (2008 - April 2024)					
	Unit No.	Length	White	Gray	Gold Dust
	FWO(D)40	41 1/4	9008414	9017300	9018556
	FWO(D)50	53 1/4	2562482	9017302	9018558
	FWO(D)54	57 1/4	2562483	9017303	9018559
	FWO(D)60	65 1/4	2562484	9017304	9018560
	FWO(D)64	69 1/4	9008415	9017305	9018561

Track - Top / Interior / Single / Insect Screen / Retractable (2008 - April 2024)							
	Unit No.	Length	White	Gold Dust	Pine	Oak	Maple
	FWO(D)27	25 3/4	2562494	9018562	9017306	9017310	9017314
	FWO(D)29	27 3/4	2562495	9018563	9017307	9017311	9017315
	FWO(D)31	31 3/4	2562496	9018564	9017308	9017312	9017316
	FWO(D)33	33 3/4	9008410	9018565	9017309	9017313	9017317

Track - Top / Interior / Double / Insect Screen / Retractable (2008 - April 2024)							
	Unit No.	Length	White	Gold Dust	Pine	Oak	Maple
	FWO(D)40	42 1/4	9008411	9018566	9017318	9017324	9017330
	FWO(D)50	53 1/4	2562490	9018568	9017320	9017326	9017332
	FWO(D)54	57 1/4	2562491	9018569	9017321	9017327	9017333
	FWO(D)60	65 1/4	2562492	9018570	9017322	9017328	9017334
	FWO(D)64	65 1/4	9008412	9018571	9017323	9017329	9017335

## Insect Screens

### Canister Assembly - Insect Screen / Retractable / Single (2008 - April 2024)



**Assembly Includes:**

Canister, cap retainers, spindle, screen core and cloth, tension spring, slide bar.

Unit No.	White		Gold Dust		Pine		Oak		Maple	
	Left	Right	Left	Right	Left	Right	Left	Right	Left	Right
<b>FWO(D)68</b>	2562373	2562376	9018572	9018576	9017336	9017348	9017340	9017352	9017344	9017356
<b>FWO(D)611</b>	2562374	2562377	9018573	9018577	9017337	9017349	9017341	9017353	9017345	9017357
<b>FWO(D)80</b>	2562375	2562378	9018575	9018579	9017339	9017351	9017343	9017355	9017347	9017359

### Canister Assembly - Insect Screen / Retractable / Double (2008 - April 2024)

**Note:**

Handing determined by location on unit from exterior. Double doors use a left and right assembly.

**Assembly Includes:**

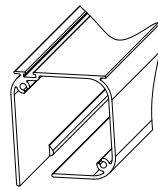
Canister, cap retainers, spindle, screen core and cloth, tension spring, slide bar

Unit No.	White		Gold Dust		Pine		Oak		Maple	
	Left	Right	Left	Right	Left	Right	Left	Right	Left	Right
<b>FWO(D)68</b>	2562367	2562370	9018580	9018584	9017360	9017372	9017364	9017376	9017368	9017380
<b>FWO(D)611</b>	2562368	2562371	9018581	9018585	9017361	9017373	9017365	9017377	9017369	9017381
<b>FWO(D)80</b>	2562369	2562372	9018583	9018587	9017363	9017375	9017367	9017379	9017371	9017383

### Canister - Insect Screen / Retractable (2008 - April 2024)

**Note:**

Replacement canisters with interior wood finishes are handed, painted canisters are not handed. Handing is determined by the location of the canister as viewed from the interior.

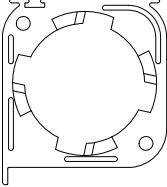


Unit No.	White		Gold Dust		Pine		Oak		Maple	
	Left	Right	Left	Right	Left	Right	Left	Right	Left	Right
<b>FWO(D)68</b>	2562352		9018588		9017384	9069363	9017388	9069366	9017392	9069369
<b>FWO(D)611</b>	2562353		9018589		9017385	9069364	9017389	9069367	9017393	9069370
<b>FWO(D)80</b>	2562354		9018591		9017387	9069365	9017391	9069368	9017393	9069371

# A-Series Outswing Doors (2008 to Present)

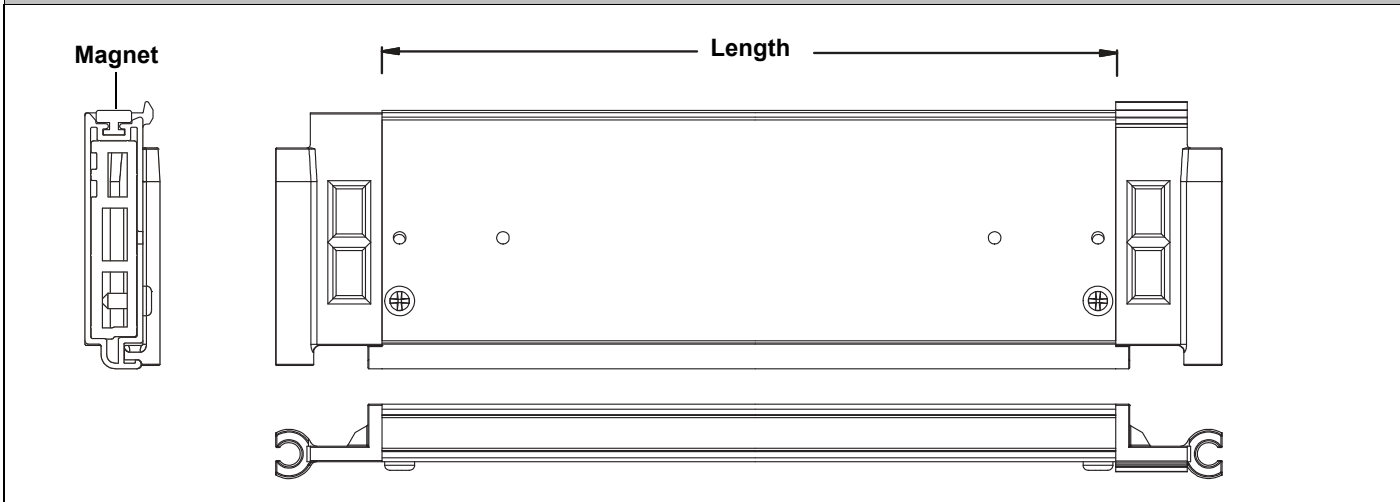
Single Panel, 2-Panel, and Stationary Panel

## Insect Screens

End Cap - Canister / Retractable Insect Screen (2008 - April 2024)				
		<b>Color</b>	<b>Left</b>	<b>Right</b>
		White	2562380	2562381
		Terratone	2605150	2605151
		Sandtone	0916035	0916036
		Forest Green	1232841	1232842
		Canvas	9017158	9017164
		Prairie Grass	9017159	9017165
		Cocoa Bean	9017160	9017166
		Dove Gray	9017161	9017167
		Red Rock	9017162	9017168
		Black	9017163	9017169
		Dark Bronze	9021284	9021285

## Insect Screens

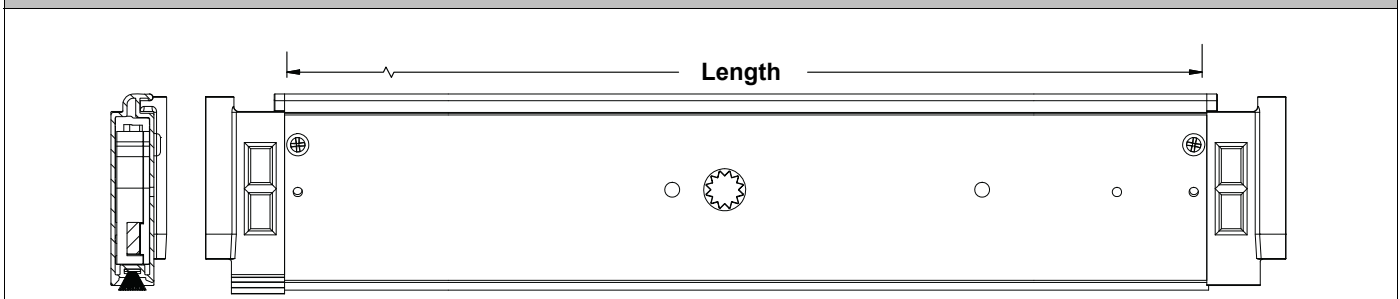
### Slide Bar Assembly - Single / Insect Screen / Retractable (2008 - April 2024)



**Includes:**  
Slide bar, slide body, magnetic strip, and screws

Unit No.	Length	White		Gold Dust		Pine		Oak		Maple	
		Left	Right	Left	Right	Left	Right	Left	Right	Left	Right
<b>FWO(D)68</b>	75 <sup>3</sup> / <sub>16</sub>	2562446	2562443	9018592	9018596	9017396	9017408	9017400	9017412	9017404	9017416
<b>FWO(D)611</b>	78 <sup>1</sup> / <sub>16</sub>	2562447	2562444	9018593	9018597	9017397	9017409	9017401	9017413	9017405	9017417
<b>FWO(D)80</b>	91 <sup>3</sup> / <sub>16</sub>	2562448	2562445	9018595	9018599	9017399	9017411	9017403	9017415	9017407	9017419

### Slide Bar Assembly - Double / Insect Screen / Retractable (2008 - April 2024)



**Includes:**  
Slide bar, slide body, lock actuator, bug seal, and screws

Unit No.	Length	White		Gold Dust		Pine		Oak		Maple	
		Left	Right	Left	Right	Left	Right	Left	Right	Left	Right
<b>FWO(D)68</b>	75 <sup>3</sup> / <sub>16</sub>	2562440	2562437	9018600	9018604	9017420	9017432	9017424	9017436	9017428	9017440
<b>FWO(D)611</b>	78 <sup>1</sup> / <sub>16</sub>	2562441	2562438	9018601	9018605	9017421	9017433	9017425	9017437	9017429	9017441
<b>FWO(D)80</b>	91 <sup>3</sup> / <sub>16</sub>	2562442	2562439	9018603	9018607	9017423	9017435	9017427	9017439	9017431	9017443

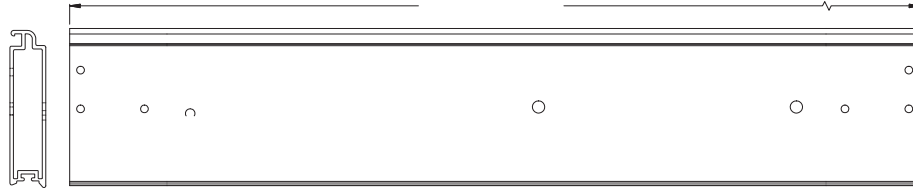


# A-Series Outswing Doors (2008 to Present)

Single Panel, 2-Panel, and Stationary Panel

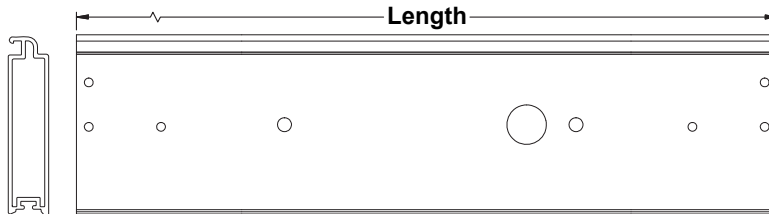
## Insect Screens

### Slide Bar - Single / Insect Screen / Retractable (2008 - April 2024)



Unit No.	Length	White		Gold Dust		Pine		Oak		Maple	
		Left	Right	Left	Right	Left	Right	Left	Right	Left	Right
<b>FWO(D)68</b>	75 <sup>3</sup> / <sub>16</sub>	2562428	2562502	9018608	9018612	9017444	9017456	9017448	9017460	9017452	9017464
<b>FWO(D)611</b>	78 <sup>1</sup> / <sub>16</sub>	2562429	2562503	9018609	9018613	9017445	9017457	9017449	9017461	9017453	9017465
<b>FWO(D)80</b>	91 <sup>3</sup> / <sub>16</sub>	2562430	2562504	9018611	9018615	9017447	9017459	9017451	9017463	9017455	9017467

### Slide Bar - Double / Insect Screen / Retractable (2008 - April 2024)

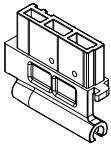
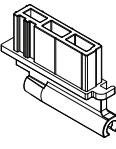


Unit No.	Length	White		Gold Dust		Pine		Oak		Maple	
		Left	Right	Left	Right	Left	Right	Left	Right	Left	Right
<b>FWO(D)68</b>	75 <sup>3</sup> / <sub>16</sub>	2562505	2562508	9018616	9018620	9017468	9017480	9017472	9017484	9017476	9017488
<b>FWO(D)611</b>	78 <sup>1</sup> / <sub>16</sub>	2562506	2562509	9018617	9018621	9017469	9017481	9017473	9017485	9017477	9017489
<b>FWO(D)80</b>	91 <sup>3</sup> / <sub>16</sub>	2562507	2562510	9018619	9018623	9017471	9017483	9017475	9017487	9017479	9017491

### Slide body - Insect Screen / Retractable (2008 - April 2024)

**Note:**

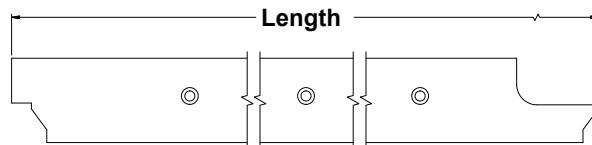
A left hand screen will use a left hand slide body on the sill and a right hand slide body on the head. A right hand screen will use a right hand slide body on the sill and a left hand slide body on the head.

 Left	 Right	White		Sandtone		Gold Dust	
		Left	Right	Left	Right	Left	Right
		2562449	2562450	0916056	0916057	9020121	9018530

## Insect Screens

### Track Filler - Bottom / Single / Insect Screen / Retractable (2008 - April 2024)

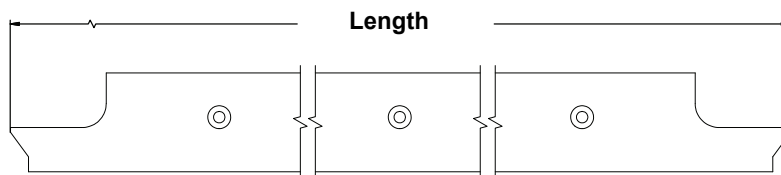
**Note:**  
Top view shown.



Profile	Unit No.	Length	Oak	
			Left	Right
	<b>FWO27</b>	27 <sup>9</sup> / <sub>16</sub>	2562387	2562515
	<b>FWO29</b>	29 <sup>9</sup> / <sub>16</sub>	2562388	2562516
	<b>FWO31</b>	33 <sup>9</sup> / <sub>16</sub>	2562389	2562517
	<b>FWO33</b>	35 <sup>9</sup> / <sub>16</sub>	9011013	9008404

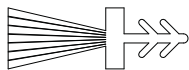
### Track Filler - Bottom / Double / Insect Screen / Retractable (2008 - April 2024)

**Note:**  
Top view shown.



Profile	Unit No.	Length	Oak
	<b>FWO41</b>	45 <sup>9</sup> / <sub>16</sub>	2562382
	<b>FWO50</b>	56 <sup>3</sup> / <sub>8</sub>	2562383
	<b>FWO54</b>	60 <sup>3</sup> / <sub>8</sub>	2562384
	<b>FWO60</b>	68 <sup>3</sup> / <sub>8</sub>	2562385
	<b>FWO64</b>	72 <sup>3</sup> / <sub>8</sub>	9008406

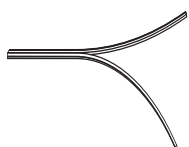
### Bug Pile, Barbed Spacer (June 2007 to Present)



**Note:**  
Order by the foot.

**Gray**  
2562340

### Weatherstrip - Insect Screen / Pile (2008 - April 2024)




**Note:**  
Order by the foot.

**Gray**  
2573398

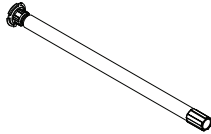
# A-Series Outswing Doors (2008 to Present)

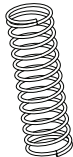
Single Panel, 2-Panel, and Stationary Panel

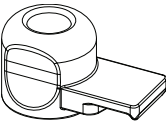
## Insect Screens

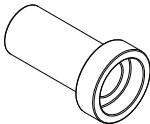
Insect Screen Cloth with Core - Retractable (2008 - April 2024)				
		Unit No.	Left	Right
		<b>FWO68</b>	2562409	2562524
		<b>FWO611</b>	2562410	2562525
		<b>FWO80</b>	2562411	2562526

Magnet - Side Bar - Insect Screen / Retractable (2008 - April 2024)			
	<b>Note:</b> Ships as a pair. Cut to size. Approximately 95".	Unit No.	Order No.
		<b>FWO80</b>	2573360

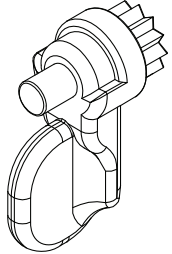
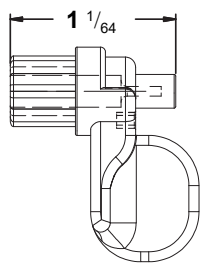
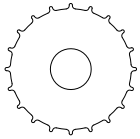
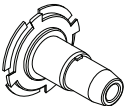
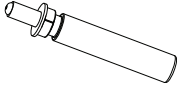
Spring - Tension / Assembly / Insect Screen / Retractable (2008 - April 2024)		
		Order No.
		2562457

Spring - Pull Turn Knob / Insect Screen / Retractable (2008 - April 2024)		
		Order No.
		2562453

Pull Turn Knob - Insect Screen / Retractable (2008 - April 2024)			
		Finish	Order No.
		White	2562396
		Sandtone	9017493
		Gold Dust	9017492

Bushings - Pull Turn Knob / Insect Screen / Retractable (2008 - April 2024)			
		Finish	Order No.
		White	2562348
		Sandtone	9017495
		Gold Dust	9017494

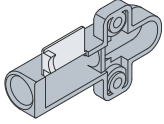
## Insect Screens

Thumb Latch - Insect Screen / Retractable (2008 - April 2024)		
	<p><b>Note:</b> Interior wood retractable insect screens use a sandtone thumb latch (long gear). All other latches are the white exterior short gear version.</p>	<p><b>White</b></p>
		<p>2562397</p>
Thumb Latch - Insect Screen / Retractable / Long Gear (2008 - April 2024)		
	<p><b>Note:</b> Interior wood retractable insect screens use a sandtone thumb latch (long gear). All other latches are the white exterior short gear version.</p>	<p><b>Sandtone</b></p>
		<p>By description</p>
Splines - Insect Screen / Retractable (2008 - April 2024)		
		<p><b>Order No.</b></p>
		<p>2562452</p>
Spindle - End Cap / Insect Screen / Retractable (2008 - April 2024)		
		<p><b>Order No.</b></p>
		<p>2562451</p>
Dampener - Insect Screen / Retractable (2008 - April 2024)		
		<p><b>White</b></p>
		<p>2562379</p>

# A-Series Outswing Doors (2008 to Present)

Single Panel, 2-Panel, and Stationary Panel

## Insect Screens

Bumper Housing - Retractable Insect Screen (2008 - April 2024)			
	<b>Note:</b> Installation instructions refer to this part as a "damper".	Color	Unit No.
		White	2562395
		Terratone	2605155
		Sandtone	0916040
		Forest Green	1232846
		Canvas	9017259
		Prairie Grass	9017264
		Cocoa Bean	9017263
		Dove Gray	9017262
		Red Rock	9017260
		Black	9017261
		Dark Bronze	9021293

Hardware Package / Insect Screen / Retractable (2008 - April 2024)			
<b>Note:</b> Screen colors not listed will use Gold Dust. <b>Double Hardware Pack Includes:</b> 6 - Attachment clips 23 - #7 x 1" panhead screws 4 - #8 x 1 1/2" brass flathead wood screws 4 - Housing Dampeners 4 - Shock absorbing Dampeners 4 - Handle, Exterior Passive FWG 1 - Block, Top Stop 4 - #8-32 x 2 1/2" oval head machine screws 4 - Threaded studs 4 - Lever, Thumb 1 - Block, Double bottom lock FWO/FWOD 1 - Plastic screw bag 5 compartments 1 - Plastic bag 5" x 10"	Color	Single	Double
	White	2562394	2562393
	Terratone	By description	By description
	Sandtone	9017501	9017995
	Gold Dust	9017500	9017994
	Forest Green	By description	By description
	Canvas	By description	By description
	Sandtone-Wood	9034905	9034906

Screw		
	Description	Order No.
	8 x 1 1/2 brass PH FL	2562415
Screw		
	Description	Order No.
	8-32 x 2 1/2 PH oval STL	2562416
Screw		
	Description	Order No.
	8-32 x 1 PH pan Typ F	2562418

# Grilles

## Traditional Interior Grilles - Standard / Custom

**Note:**

Replacement interior grilles for standard and custom-sized doors are made to order. Grilles include fasteners when required. See [Interior Grille Installation Video](#). Permanently applied interior/exterior grilles can only be ordered by Andersen Territory Service Representatives, Andersen Service Dealers and Providers available in the Service Replacement Only section [page 146](#).

### Grilles - Standard / Interior

**To order, state:**

1. Description of Part (Interior Grille, Exterior/Interior species/finish/color, Pattern, Profile)
2. Product ID (from product label, see [page 10](#))



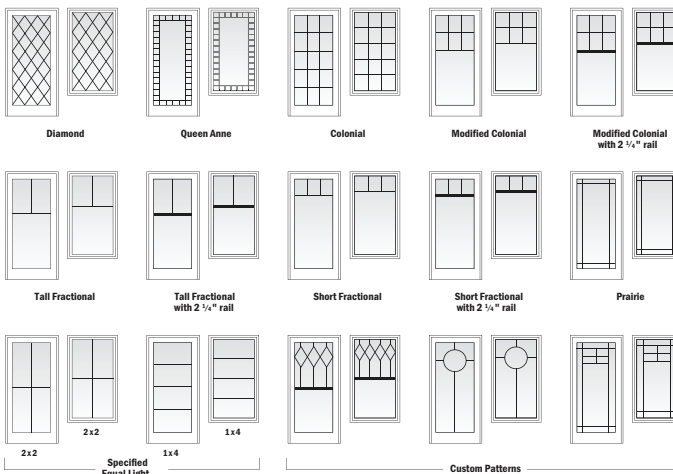
**Exterior color options:**

White	Canvas	Dove Gray	Sandtone
Terratone	Forest Green	Prairie Grass	Red Rock
Black	Dark Bronze	Cocoa Bean	



**Interior species/color/finish options:**

Pine	Maple	Oak	Mahogany
Douglas Fir	Cherry		
Unfinished	Russet	Espresso	Clear Coat
Honey	Cinnamon	Mocha	
White-Painted	Birch Bark	Primed	Sandtone
Canvas	Terratone	Forest Green	Dove Gray
Prairie Grass	Cocoa Bean	Red Rock	Dark Bronze
Black			

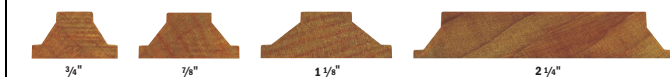


**Pattern options:**

Diamond	Queen Anne	Colonial	Modified Colonial	Modified Colonial w/ SCR
Tall Fractional	Tall Fractional w/SCR	Short Fractional	Short Fractional w/SCR	Prairie
Specified Equal Light		Custom		

**Profile options:**

3/4 inch	7/8 inch	1 1/8 inch	2 1/4 inch
----------	----------	------------	------------



# A-Series Outswing Doors (2008 to Present)

Single Panel, 2-Panel, and Stationary Panel

## Grilles

### Contemporary Interior Grilles - Standard / Custom

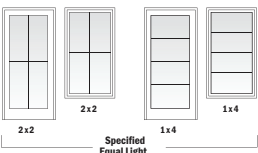
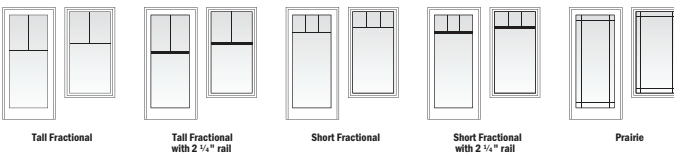
**Note:**

Replacement interior grilles for standard and custom-sized doors are made to order. Grilles include fasteners when required. See [Interior Grille Installation Video](#). Permanently applied interior/exterior grilles can only be ordered by Andersen Territory Service Representatives, Andersen Service Dealers and Providers available in the Service Replacement Only section [page 146](#).

### Grilles - Standard / Interior

**To order, state:**

1. Description of Part (Interior Grille, Exterior/Interior color/finish, Pattern, Profile)
2. Product ID (from product label, see [page 10](#))



**Exterior color options:**

White	Canvas	Dove Gray	Sandtone
Terratone	Forest Green	Prairie Grass	Red Rock
Black	Dark Bronze	Cocoa Bean	

**Interior species/finish/color options:**

	Clear Coat	Honey	White	Cherry (Not Shown)
Oak	Cinnamon	Russet	Birch Bark	Mahogany (Not Shown)
Maple	Mocha	Espresso	Primed	Douglas Fir (Not Shown)


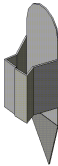

**Pattern options:**

	Colonial	Modified Colonial	Modified Colonial w/ SCR
Tall Fractional	Tall Fractional w/SCR	Short Fractional	Short Fractional w/SCR
			Prairie
Specified Equal Light			

**Profile options:**

5/8 inch	3/4 inch	2 1/4 inch	3 1/2 inch
----------	----------	------------	------------

## Grilles

Interior Grille Parts and Tools			
<b>Interior Grille Fastener</b>			
		<b>Order No.</b>	
		1974314	
<b>Interior Grille Fastener</b>			
		<b>Color</b>	<b>Order No.</b>
		White	1974310
		Sandtone	8154120
		Terratone	2601210
		Forest Green	9046244
		Canvas	9131693
		Dark Bronze	9131694
		Black	9131695
<b>Installation Tool</b>			
		<b>Order No.</b>	
		9019326	



# A-Series Outswing Doors (2008 to Present)

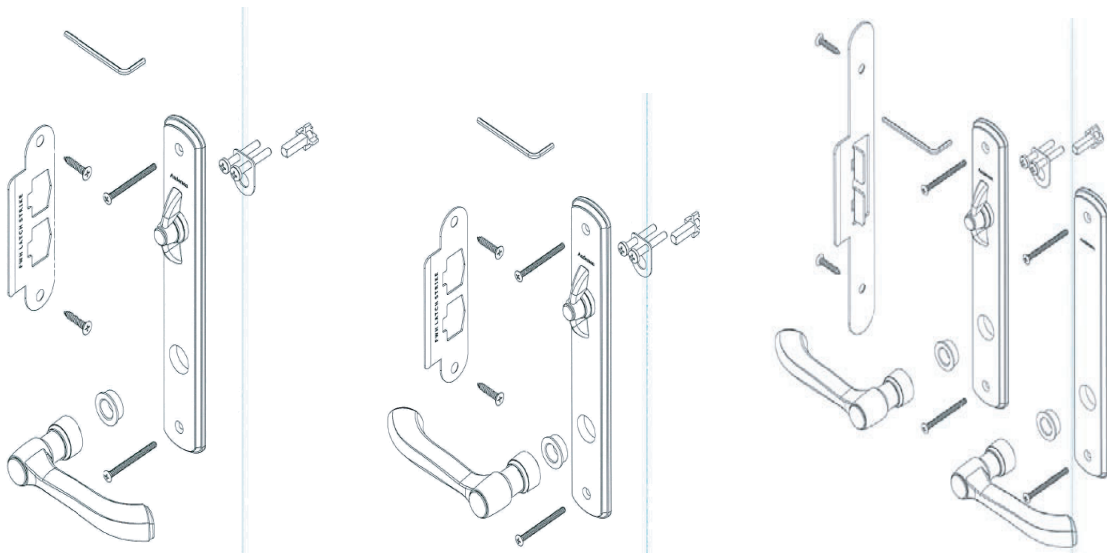
Single Panel, 2-Panel, and Stationary Panel

## Hardware

### Andersen® Half Trim Set Kits - Interior Hardware

**Note:**

Interior half trim sets are available for Newbury®, Covington™, Encino®, Yuma®, Anvers®, Whitmore®, Tribeca®, and Albany Hardware.



Albany Style Shown

Sets include:	AR	AL	AP/PA
Handle, RH Hinged*	NA	1	1
Handle, LH Hinged*	1	NA	1
Plate, Escutcheon, Inside Active Hinged	1	1	1
Plate, Escutcheon, Inside Passive Hinged	NA	NA	1
Limiting Plate	1	1	1
Actuator, Lock	1	1	1
Screw, #10 Fill HD, PH, M5X.8-35MM, Zinc	2	2	2
Screw, #8-32UNC x 2, PH Oval HD, MACH	2	2	4
1/8 Allen Wrench	1	1	1
Strike, Plate Single	1	1	NA
Strike, Plate Double	NA	NA	1
Screw, #10 x 1.000 PH FH S/M/S	2	2	2

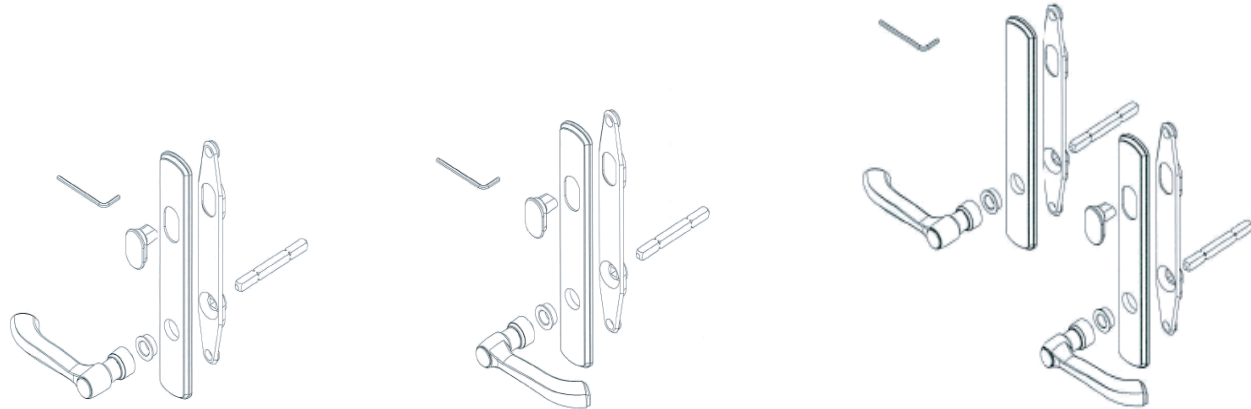
\*Pack has a RH handle for an active left door and a LH handle for an active right door and both for AP/PA.

## Hardware

### Andersen® Half Trim Set Kits - Exterior

**Note:**

Exterior half trim sets are available for Newbury®, Covington™, Encino®, Yuma®, Anvers®, Whitmore®, Tribeca®, and Albany Hardware. Tribeca® includes threaded studs.



Albany Style Shown

Sets include:	AR	AL	AP/PA
Handle, RH Hinged*	1	N/A	1
Handle, LH Hinged*	N/A	1	1
Plate, Outside Active	1	1	1
Plate, Outside Passive	N/A	N/A	1
Gasket, Trimset	1	1	2
Straight Spindle	1	1	2
Screw, 1/4-20 UNC SS, KNURL CUP PT SET	1	1	2
Cylinder, Dummy	1	1	1
Bushing Trim Adapter	1	1	2
1/8 Allen Wrench	1	1	1

\*Pack has a LH handle for an active left door and a RH handle for an active right door and both for AP/PA.

# A-Series Outswing Doors (2008 to Present)

Single Panel, 2-Panel, and Stationary Panel

## Hardware

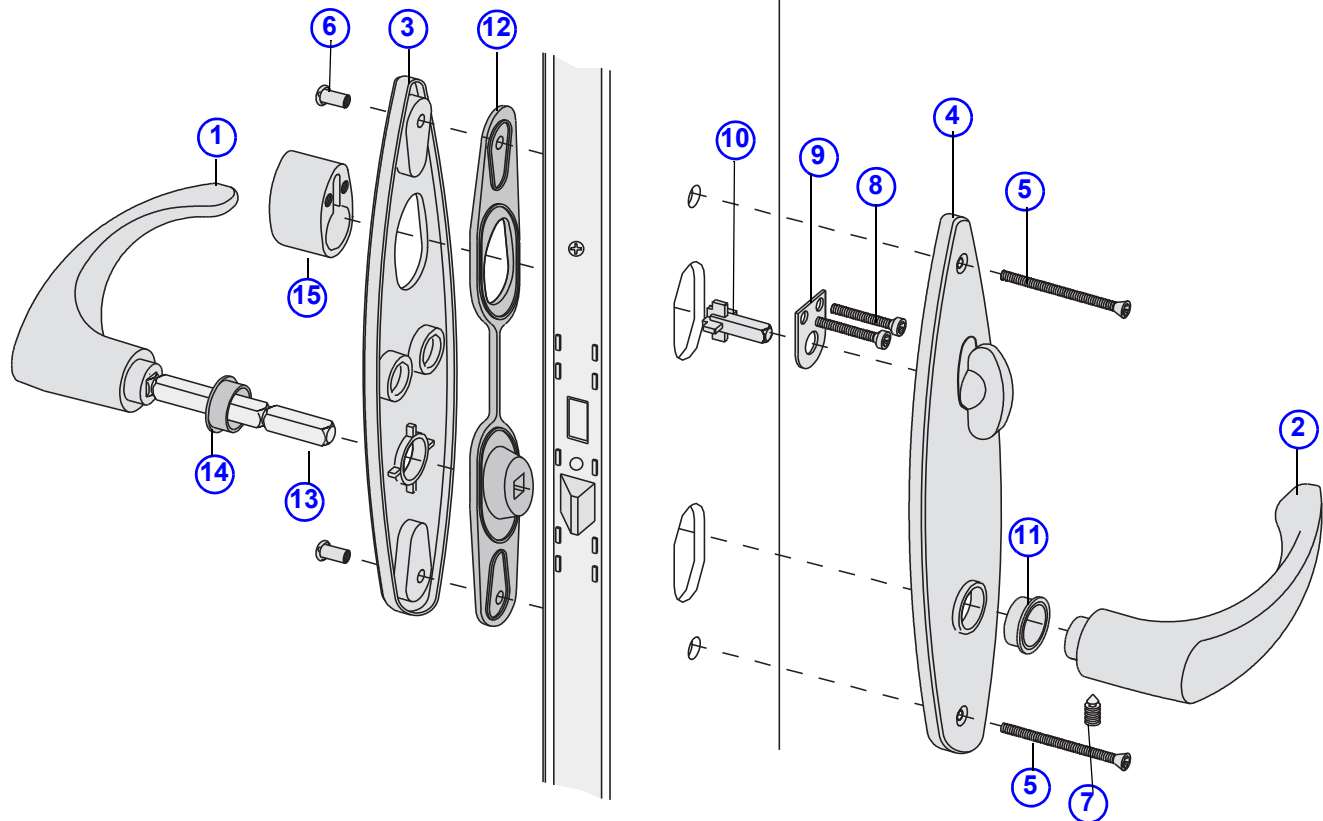
<b>Construction Trim Set</b>		
<b>Construction Trim Set - Active</b>		
	<b>Kit Includes:</b> (1) Plate, passive outside (1) Plate, active inside (assembly) (1) Handle, exterior (assembly) (1) Handle, interior (assembly) (1) Actuator, lock (assembly) (1) Plate, limiting (2) Screws, M5 X .8-35MM PH w/#10 Fill Head Machine, Zinc (1) Retainer, bolt (2) Studs, tapped (2) Screws, #8-32 UNC X 1.625, PH W/#10 Oval Head, Machine (1) Wrench, Allen, 1/8 <a href="#">Installation Guide 9020646</a>	<b>Order No.</b> 9020356
<b>Construction Trim Set - Passive</b>		
	<b>Kit Includes:</b> (1) Plate, passive outside (1) Handle, exterior (assembly) (1) Handle, interior (assembly) (2) Studs, tapped (2) Screws, #8-32 UNC X 1.625, PH W/#10 Oval Head, Machine (1) Wrench, Allen, 1/8 <a href="#">Installation Guide 9020647</a>	<b>Order No.</b> 9020357

## Hardware

### Andersen® Hardware - Tribeca®

**Note:**

See [Accessory Guide 0005156](#).



- |   |  |                                     |
|---|--|-------------------------------------|
| 1. <a href="#">Exterior Handle (LH Shown)</a>       | 6. <a href="#">Escutcheon Plate Mounting Studs</a> | 11. <a href="#">Nylon Bushing</a>   |
| 2. <a href="#">Interior Handle (RH Shown)</a>       | 7. <a href="#">Handle Set Screw (Package)</a>      | 12. <a href="#">Trim Set Gasket</a> |
| 3. <a href="#">Active Exterior Escutcheon Plate</a> | 8. <a href="#">Key Cylinder Mounting Bolts</a>     | 13. <a href="#">Spindle</a>         |
| 4. <a href="#">Active Interior Escutcheon Plate</a> | 9. <a href="#">Lock Limiting Plate</a>             | 14. <a href="#">Nylon Bushing</a>   |
| 5. <a href="#">Escutcheon Plate Bolts</a>           | 10. <a href="#">Lock Actuator</a>                  | 15. <a href="#">Dummy Cylinder</a>  |

**Tribeca® Hinged Patio Door Hardware - Single Trim Set**

# A-Series Outswing Doors (2008 to Present)

Single Panel, 2-Panel, and Stationary Panel

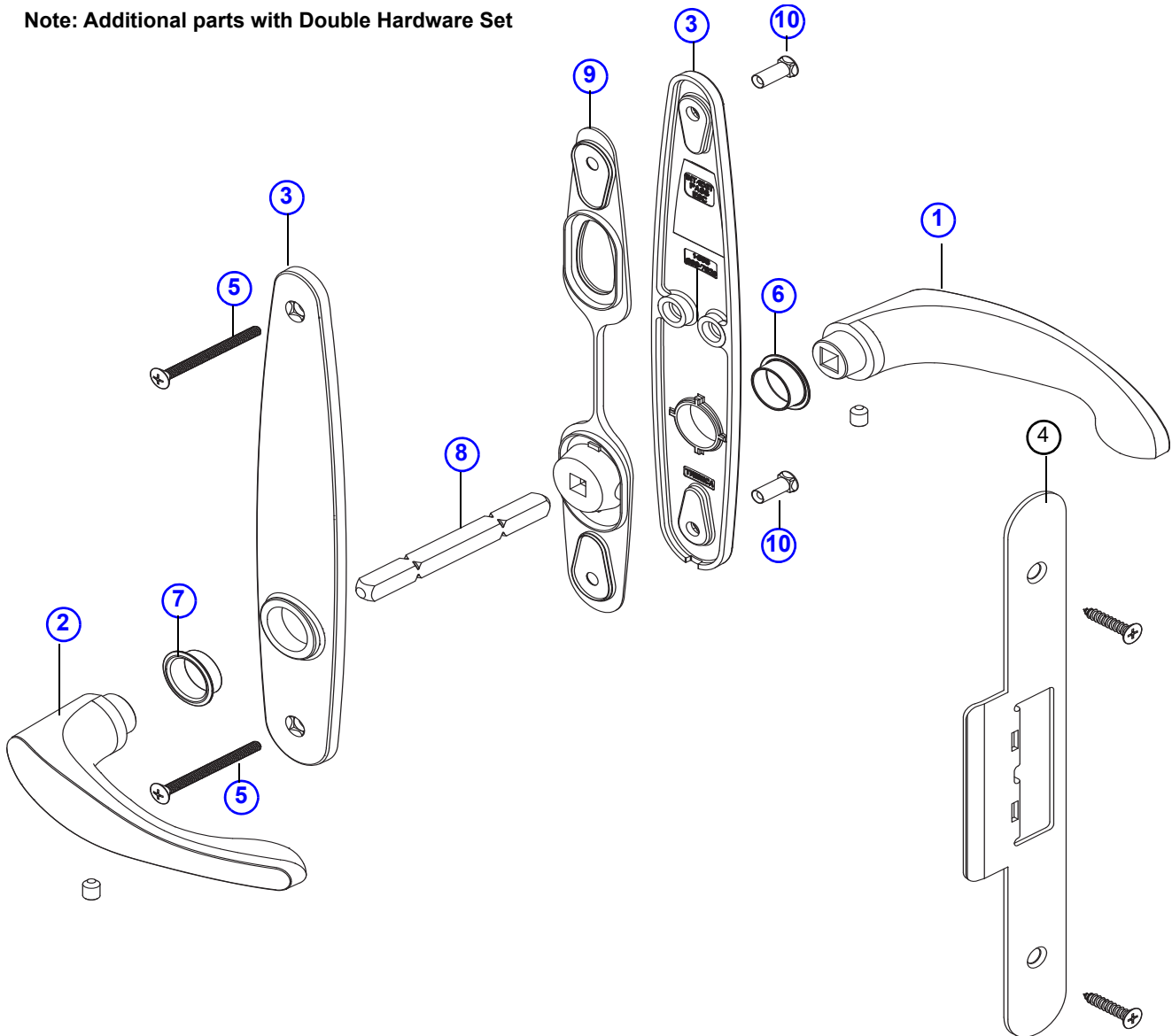
## Hardware

### Tribeca® Hardware - Passive Hardware Illustration

**Note:**

See [Accessory Guide 0004286](#).

**Note: Additional parts with Double Hardware Set**



- |   |   |
|---|---|
| 1. <a href="#">Exterior Handle (LH Shown)</a>                 | 6. <a href="#">Nylon Bushing</a>                    |
| 2. <a href="#">Interior Handle (RH Shown)</a>                 | 7. <a href="#">Nylon Bushing</a>                    |
| 3. <a href="#">Passive Exterior/Interior Escutcheon Plate</a> | 8. <a href="#">Spindle</a>                          |
| 4. AP/PA Strike Plate (Not Needed on outswing doors)          | 9. <a href="#">Trim Set Gasket</a>                  |
| 5. <a href="#">Escutcheon Plate Bolts</a>                     | 10. <a href="#">Escutcheon Plate Mounting Studs</a> |

### Tribeca® Hinged Patio Door Hardware - Double Trim Set

## Hardware

### Complete Trim Set - Tribeca® / Interior and Exterior See Illustration [page 52](#) and [page 53](#)

	Finish	Single	Double AP/PA
	Stone	2577557	2577558
	White	2577555	2577556
	Black	9184681	9184682

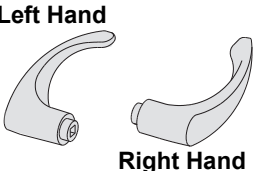
### Trim Set - Tribeca® / Interior See Illustration [page 52](#) and [page 53](#)

	Finish	Single		Double AP PA
		Left	Right	Order No.
Stone		2572662	2572772	2572663
White		2572660	2572771	2572661
Black		9184670	9184673	9184671

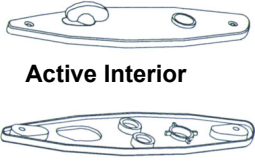
### Trim Set - Tribeca® / Exterior See Illustration [page 52](#) and [page 53](#)

	Finish	Single		Double AP/PA
		Left	Right	Order No.
Stone		2572603	2572750	2572604
White		2572601	2572749	2572602
Black		9184668	9184672	9184669


### Lever Handle with Screws - Tribeca® Ref. No. 1 and 2 [page 52](#) and [page 53](#)

	Finish	Left	Right
	Stone	2579848	2579849
	White	2579835	2579836
	Black	9184685	9184686

### Escutcheon Plate - Active Tribeca® Ref. No. 3 [page 52](#)

	Finish	Interior	Exterior
	Stone	2579852	2579854
	White	2579839	2579841
	Black	9184687	9184689

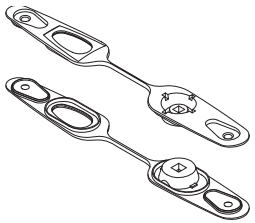
### Escutcheon Plate - Tribeca® Ref. No. 4 [page 53](#)

	Finish	Interior/ Exterior
	Stone	2579853
	White	2579840
	Black	9184688

# A-Series Outswing Doors (2008 to Present)

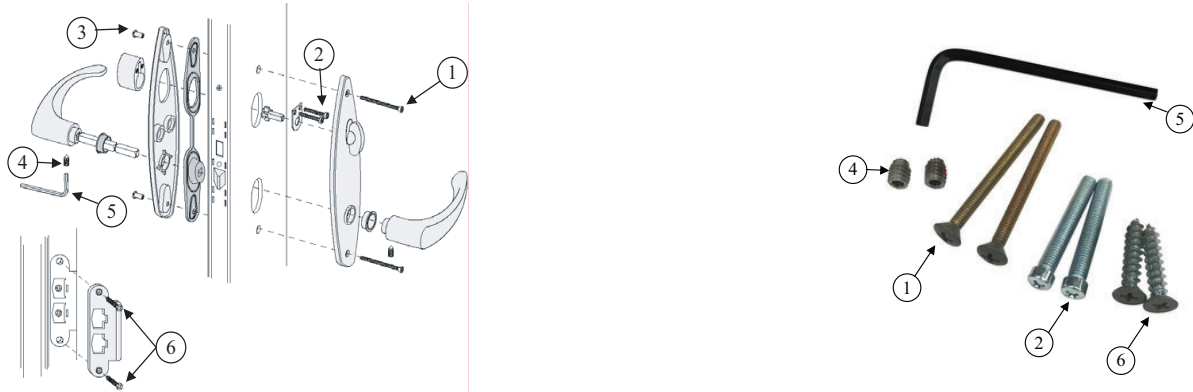
Single Panel, 2-Panel, and Stationary Panel

## Hardware

Gasket - Trim Set / Tribeca® Ref. No. 12 & 12 <a href="#">page 52</a> and <a href="#">page 53</a>		
		<b>Order No.</b>
		2962513

Dummy Cylinder - Lock Set / Tribeca® Ref No. 15 <a href="#">page 53</a>			
	<b>Note:</b> Use for Tribeca® trim sets.	<b>Finish</b>	<b>Order No.</b>
		Stone	2579860
		White	2579847
		Black	9184691

Escutcheon Plate Bolt with Stud / Tribeca®			
	<b>Description</b> 2 - #8 - 32 x 2 PH OH MS YZP 2 - threaded studs	<b>Finish</b>	<b>Order No.</b>
		Stone	2579855
		White	2579842
		Black	9184690


Screw Package - Trim Set / Tribeca®	
	

**Note:**

Threaded stud shown as #3 not included with this kit. See escutcheon plate bolt with stud as shown above.

Ref. No.	Package Includes	Stone	
		Finish	Order No.
1	2 - screw, # 8 - 32 x 2 PH OH MS YZP	Stone	2579767
2	2 - screw, 5mm x 35 PH Pan MS YXP	White	2579766
6	2 - screw, #10 x 1" PH FH S/M/S	Black	9184684
4	2 - screw, 1/4 - 20 UNC SS knurled cup point set		
5	1 - 1/8 allen wrench		

## Hardware

Bushing - Tribeca® Ref No. 11 & 14 <a href="#">page 53</a> and 6 & 7 <a href="#">page 53</a>		
	<p><b>Note:</b>                      Made of Nylon.                      Tribeca® handles made prior to November 2020 use this bushing. If replacing this vintage of bushing you will need to order the current trim set screw pack (includes bushing), handle and escutcheon plate.</p> <p>Tribeca® handles made November 2020 - present use bushing included in current trim set screw pack <a href="#">page 98</a></p>	<p><b>Clear</b></p>
		<p>N/A</p>



# A-Series Outswing Doors (2008 to Present)

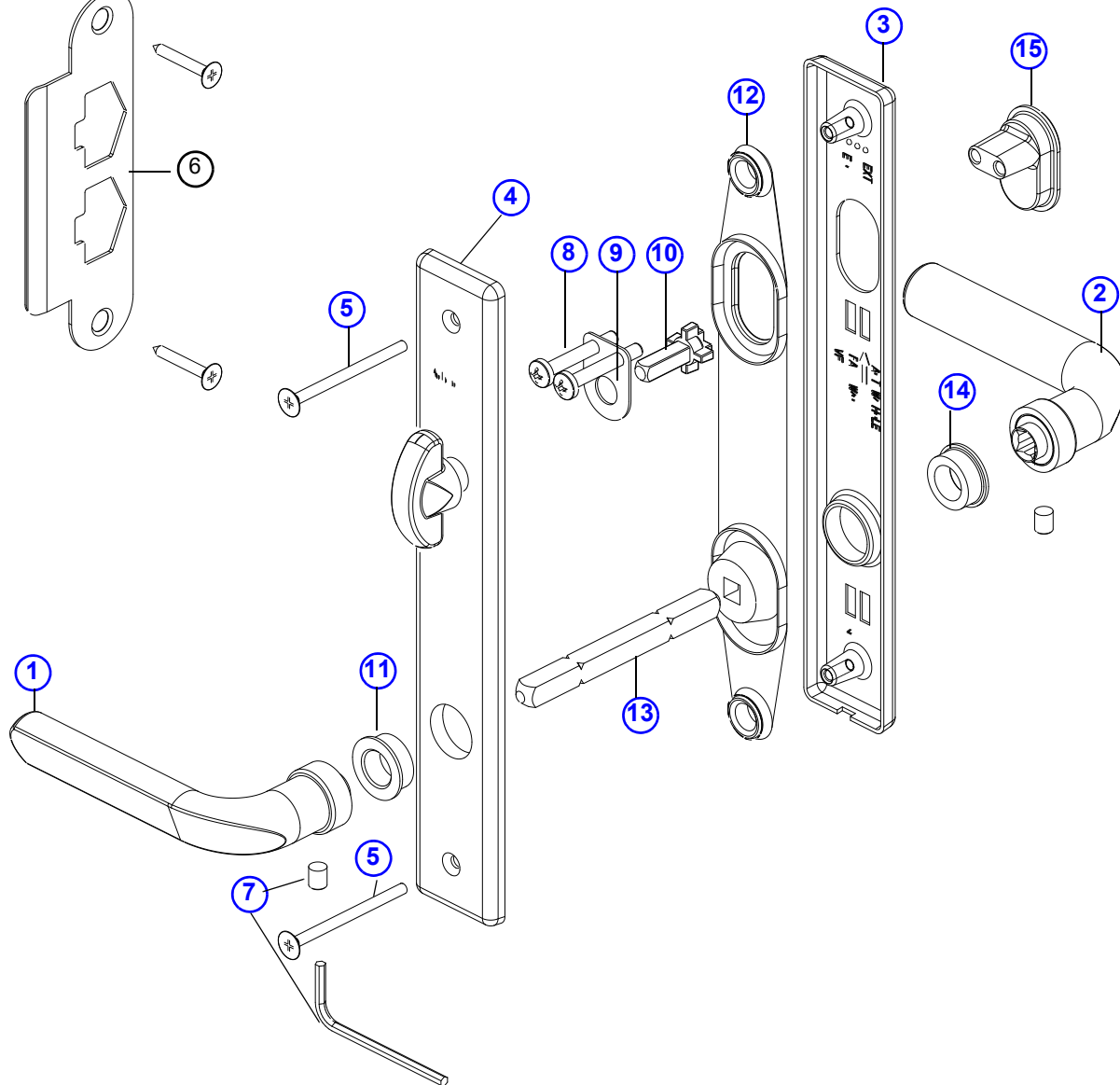
Single Panel, 2-Panel, and Stationary Panel

## Hardware

Andersen® Hardware - Anvers®

**Note:**

See [Accessory Guide 0005156](#).



- |   |  |  |
|---|--|--|
| 1. <a href="#">Interior Handle (LH Shown)</a>       | 6. Strike Plate (Not Needed on outswing doors) | 11. <a href="#">Interior Nylon Bushing</a> |
| 2. <a href="#">Exterior Handle (RH Shown)</a>       | 7. <a href="#">Handle Set Screw (Package)</a>  | 12. <a href="#">Trim Set Gasket</a>        |
| 3. <a href="#">Active Exterior Escutcheon Plate</a> | 8. <a href="#">Key Cylinder Mounting Bolts</a> | 13. <a href="#">Spindle</a>                |
| 4. <a href="#">Active Interior Escutcheon Plate</a> | 9. <a href="#">Lock Limiting Plate</a>         | 14. <a href="#">Exterior Nylon Bushing</a> |
| 5. <a href="#">Escutcheon Plate Bolts</a>           | 10. <a href="#">Lock Actuator</a>              | 15. <a href="#">Dummy Cylinder</a>         |

**Anvers® Hinged Patio Door Hardware - Single Trim Set**

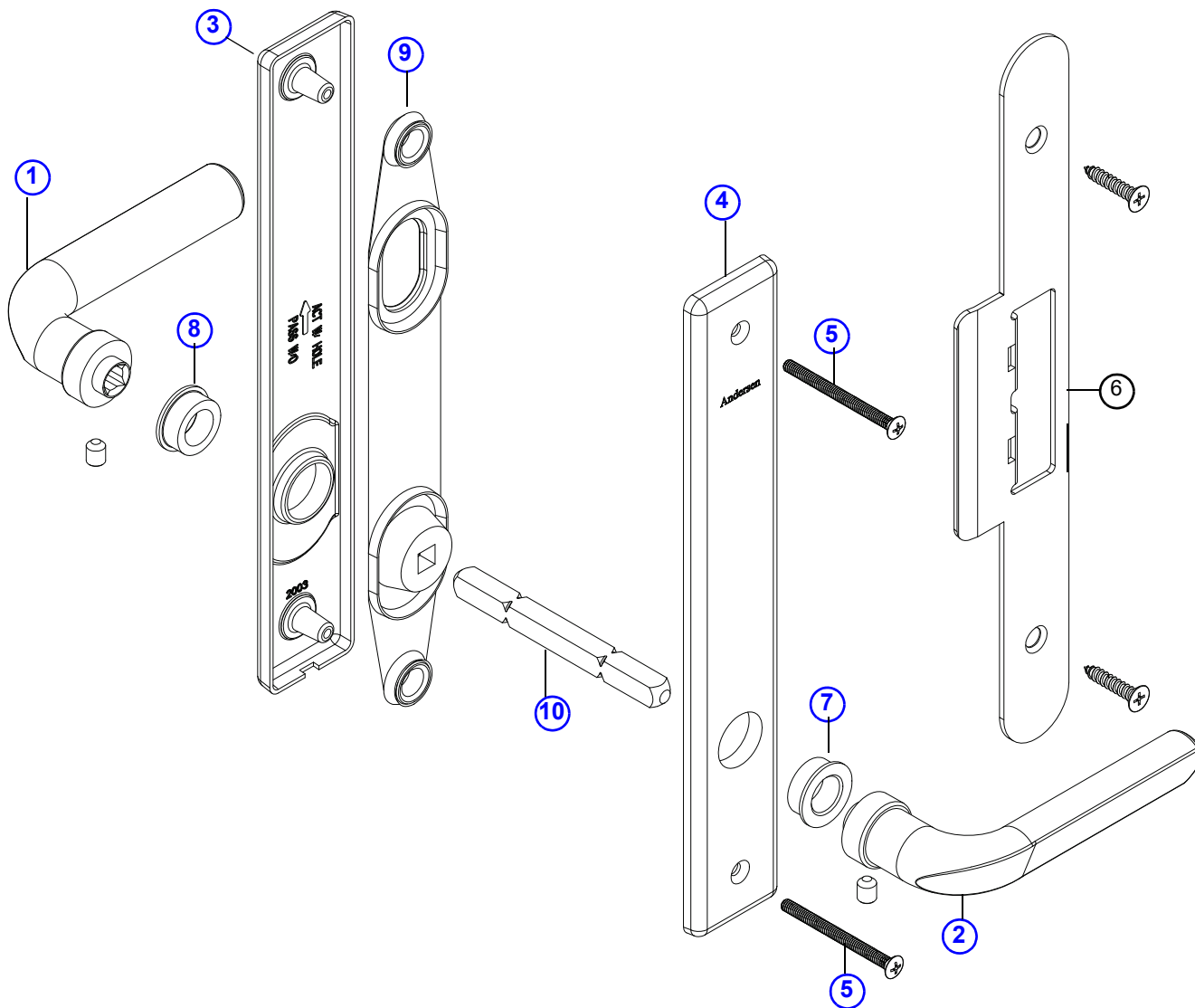
## Hardware

### Anvers® Hardware - Passive Hardware Illustration

**Note:**

See [Accessory Guide 0004286](#).

**Note: Additional parts with Double Hardware Set**



- |  |  |
|--|--|
| 1. <a href="#">Exterior Handle (LH Shown)</a>        | 6. AP/PA Strike Plate (Not Needed on outswing doors) |
| 2. <a href="#">Interior Handle (RH Shown)</a>        | 7. <a href="#">Interior Nylon Bushing</a>            |
| 3. <a href="#">Passive Exterior Escutcheon Plate</a> | 8. <a href="#">Exterior Nylon Bushing</a>            |
| 4. <a href="#">Passive Interior Escutcheon Plate</a> | 9. <a href="#">Trim Set Gasket</a>                   |
| 5. <a href="#">Escutcheon Plate Bolts</a>            | 10. <a href="#">Spindle</a>                          |

### Anvers® Hinged Patio Door Hardware - Double Trim Set

# A-Series Outswing Doors (2008 to Present)

Single Panel, 2-Panel, and Stationary Panel

## Hardware

<b>Complete Trim Set - Anvers® / Interior and Exterior</b> See Illustration <a href="#">page 57</a> and <a href="#">page 58</a>			
	<b>Finish</b>	<b>Single</b>	<b>Double AP/PA</b>
	Bright Brass	2578913	2578914
	Oil Rubbed Bronze	2578917	2578918
	Satin Nickel	2578915	2578916

<b>Trim Set - Anvers® / Interior</b> See Illustration <a href="#">page 49</a>				
	<b>Finish</b>	<b>Single</b>		<b>Double AP/PA</b>
		<b>Left</b>	<b>Right</b>	<b>Order No.</b>
	Bright Brass	2572676	2572779	2572677
	Oil Rubbed Bronze	2572686	2572784	2572687
	Satin Nickel	2572692	2572787	2572693

<b>Trim Set - Anvers® / Exterior</b> See Illustration <a href="#">page 50</a>				
	<b>Finish</b>	<b>Single</b>		<b>Double AP/PA</b>
		<b>Left</b>	<b>Right</b>	<b>Order No.</b>
	Bright Brass	2572632	2572757	2572633
	Oil Rubbed Bronze	2572642	2572762	2572643
	Satin Nickel	2572648	2572765	2572649

<b>Handle with Screws - Anvers®</b> Ref. No. 1 and 2 <a href="#">page 57</a> and <a href="#">page 58</a>			
	<b>Finish</b>	<b>Left</b>	<b>Right</b>
	Bright Brass	2573719	2573720
	Oil Rubbed Bronze	2573721	2573722
	Satin Nickel	2573723	2573724

<b>Escutcheon Plate - Anvers® / Exterior</b> Ref. No. 3 <a href="#">page 57</a> and <a href="#">page 58</a>			
	<b>Finish</b>	<b>Active</b>	<b>Passive</b>
	Bright Brass	2573741	2573742
	Oil Rubbed Bronze	2573745	2573746
	Satin Nickel	2573749	2573750

<b>Escutcheon Plate - Anvers® / Interior</b> Ref. No. 4 <a href="#">page 57</a> and <a href="#">page 58</a>			
	<b>Finish</b>	<b>Active</b>	<b>Passive</b>
	Bright Brass	2573739	2573740
	Oil Rubbed Bronze	2573743	2573744
	Satin Nickel	2573747	2573748

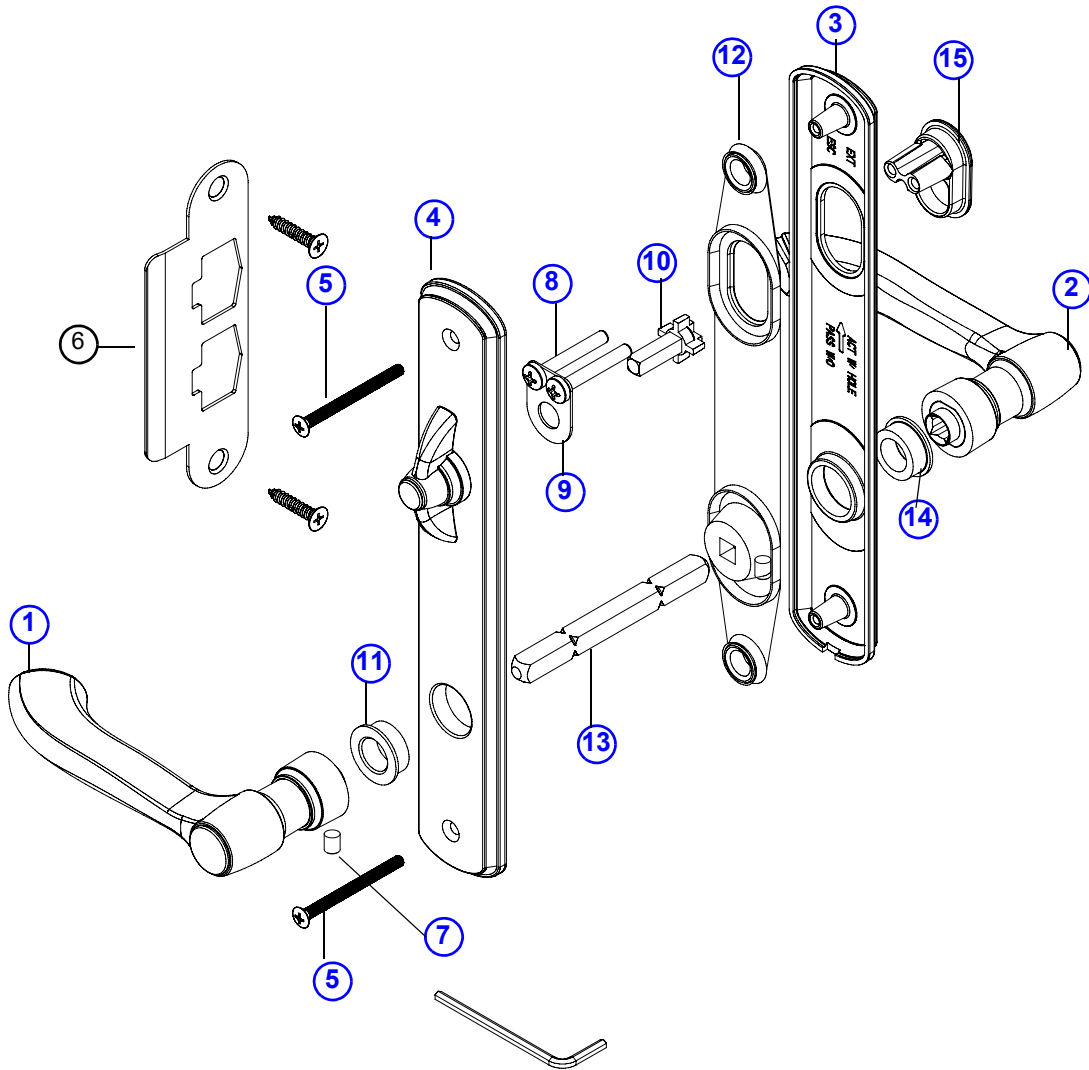
## Hardware

### Andersen® Hardware - Albany

#### Albany Hardware - Single Trim Set Illustration

**Note:**

See [Accessory Guide 0005156](#).



- |  |  |  |
|--|--|--|
| 1. <a href="#">Interior Handle (LH Shown)</a>        | 6. Strike Plate (Not Needed on outswing doors) | 11. <a href="#">Interior Nylon Bushing</a> |
| 2. <a href="#">Exterior Handle (RH Shown)</a>        | 7. <a href="#">Handle Set Screw (Package)</a>  | 12. <a href="#">Trim Set Gasket</a>        |
| 3. <a href="#">Passive Exterior Escutcheon Plate</a> | 8. <a href="#">Key Cylinder Mounting Bolts</a> | 13. <a href="#">Spindle</a>                |
| 4. <a href="#">Passive Interior Escutcheon Plate</a> | 9. <a href="#">Lock Limiting Plate</a>         | 14. <a href="#">Exterior Nylon Bushing</a> |
| 5. <a href="#">Escutcheon Plate Bolts</a>            | 10. <a href="#">Lock Actuator</a>              | 15. <a href="#">Dummy Cylinder</a>         |

#### Albany Hardware for Hinged Doors - Single Trim Set

# A-Series Outswing Doors (2008 to Present)

Single Panel, 2-Panel, and Stationary Panel

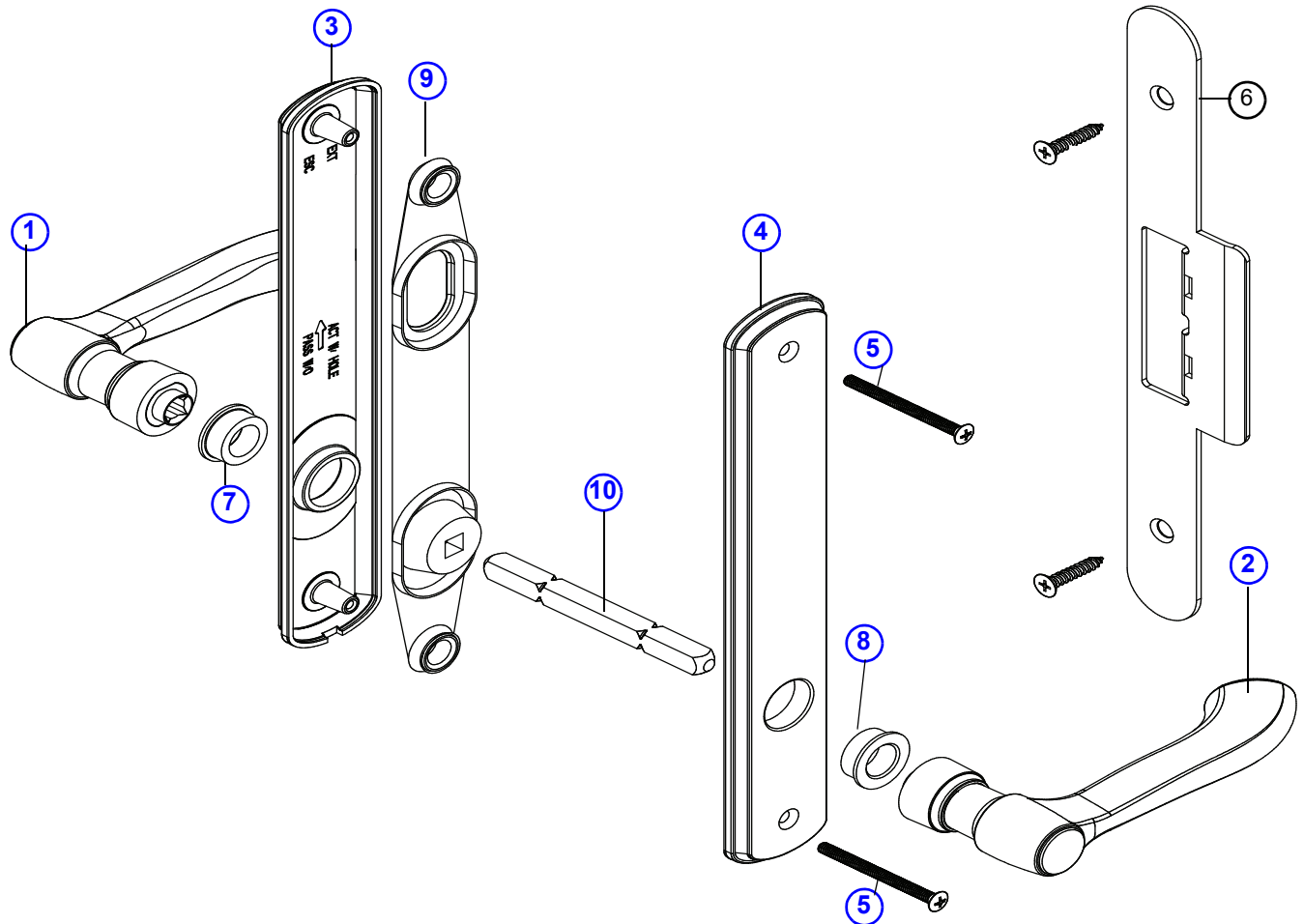
## Hardware

### Albany Hardware - Passive Hardware Illustration

**Note:**

See [Accessory Guide 0004286](#).

**Note: Additional parts with Double Hardware Set**



1. [Exterior Handle \(LH Shown\)](#)
2. [Interior Handle \(RH Shown\)](#)
3. [Passive Exterior Escutcheon Plate](#)
4. [Passive Interior Escutcheon Plate](#)
5. [Escutcheon Plate Bolts](#)
6. AP/PA Strike Plate (Not Needed on outswing doors)
7. [Interior Nylon Bushing](#)
8. [Exterior Nylon Bushing](#)
9. [Trim Set Gasket](#)
10. [Spindle](#)

### Albany Hardware for Hinged Doors - Double Trim Set

## Hardware

<b>Complete Trim Set - Albany Interior/Exterior</b> See Illustration <a href="#">page 60</a> and <a href="#">page 61</a>			
	Finish	Single	Double AP/PA
	White	9007546	9007550
	Stone	9007547	9007551
	Gold Dust	N/A	N/A
	Black	9007549	9007553

<b>Trim Set - Albany Interior</b> See Illustration <a href="#">page 49</a>				
	Finish	Single		Double AP/PA
		Left	Right	Order No.
	White	9007570	9007578	9007571
	Stone	9007572	9007579	9007573
	Gold Dust	N/A	N/A	N/A
Black	9007576	9007581	9007577	

<b>Trim Set - Albany Exterior</b> See Illustration <a href="#">page 50</a>				
	Finish	Single		Double AP/PA
		Left	Right	Order No.
	White	9007582	9007590	9007583
	Stone	9007584	9007591	9007585
	Gold Dust	N/A	N/A	N/A
Black	9007588	9007593	9007589	

<b>Lever Handle with Screws - Albany</b> Ref. No. 1 and 2 <a href="#">page 60</a> and <a href="#">page 61</a>			
	Finish	Left	Right
	White	9018906	9018907
	Stone	9018908	9018909
	Gold Dust	N/A	N/A
	Black	9018912	9018913

<b>Escutcheon Plate - Albany / Interior</b> Ref. No. 4 <a href="#">page 60</a> and <a href="#">page 61</a>			
	Finish	Active	Passive AP/PA
	White	9018941	9018949
	Stone	9018942	9018950
	Gold Dust	9018943	N/A
	Black	9018944	9018952

<b>Escutcheon Plate - Albany / Exterior</b> Ref. No. 3 <a href="#">page 60</a> and <a href="#">page 61</a>			
	Finish	Active	Passive AP/PA
	White	9018937	9018945
	Stone	9018938	9018946
	Gold Dust	9018939	N/A
	Black	9018940	9018948

# A-Series Outswing Doors (2008 to Present)

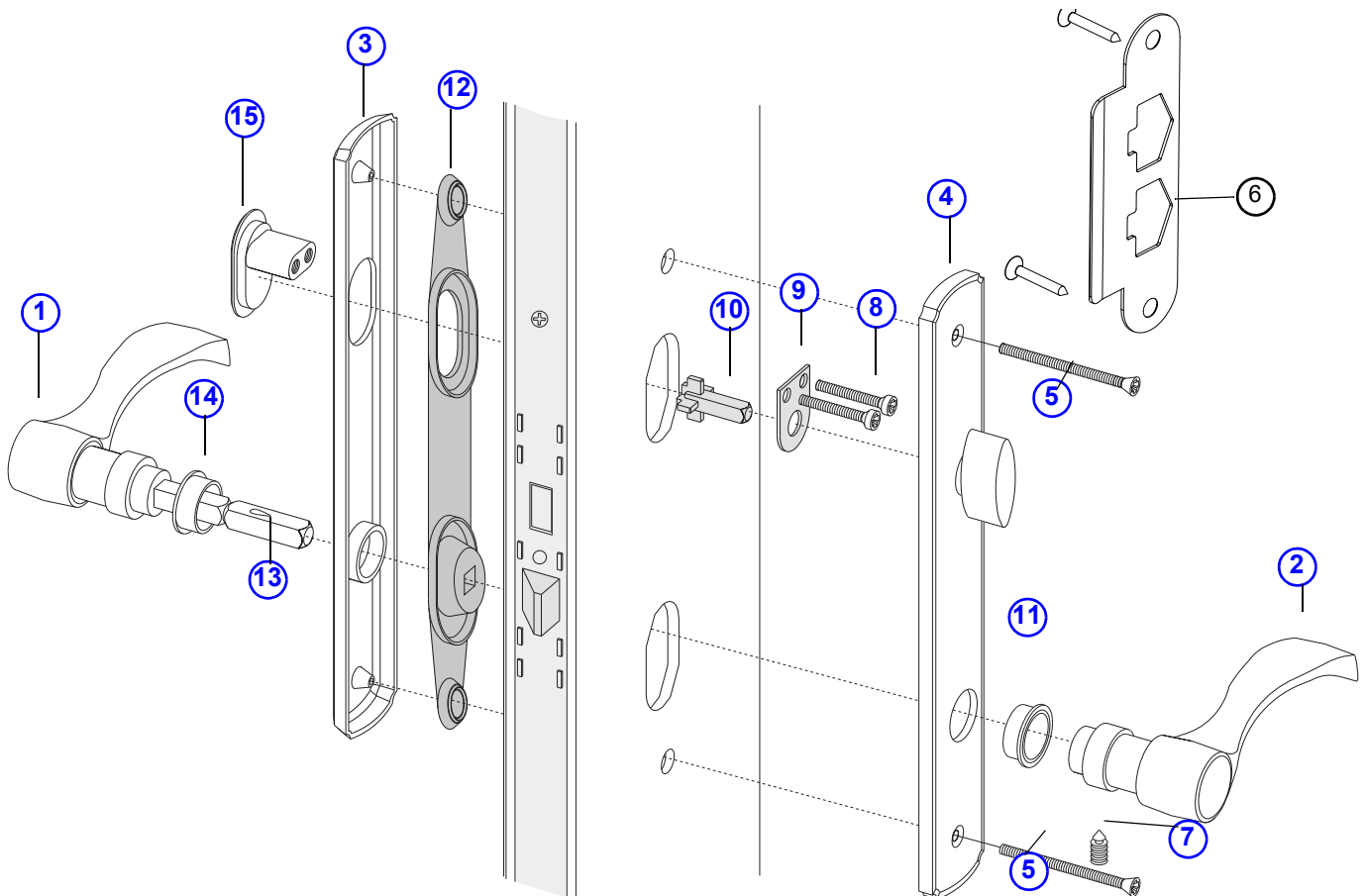
Single Panel, 2-Panel, and Stationary Panel

## Hardware

### Andersen® Hardware - Newbury®

**Note:**

See [Accessory Guide 0005156](#).



- |   |  |  |
|---|--|--|
| 1. <a href="#">Exterior Handle (LH Shown)</a>       | 6. Strike Plate (Not Needed on outswing doors) | 11. <a href="#">Interior Nylon Bushing</a> |
| 2. <a href="#">Interior Handle (RH Shown)</a>       | 7. <a href="#">Handle Set Screw (Package)</a>  | 12. <a href="#">Trim Set Gasket</a>        |
| 3. <a href="#">Active Exterior Escutcheon Plate</a> | 8. <a href="#">Key Cylinder Mounting Bolts</a> | 13. <a href="#">Spindle</a>                |
| 4. <a href="#">Active Interior Escutcheon Plate</a> | 9. <a href="#">Lock Limiting Plate</a>         | 14. <a href="#">Exterior Nylon Bushing</a> |
| 5. <a href="#">Escutcheon Plate Bolts</a>           | 10. <a href="#">Lock Actuator</a>              | 15. <a href="#">Dummy Cylinder</a>         |

**Newbury® Hardware for Hinged Doors - Single Trim Set**

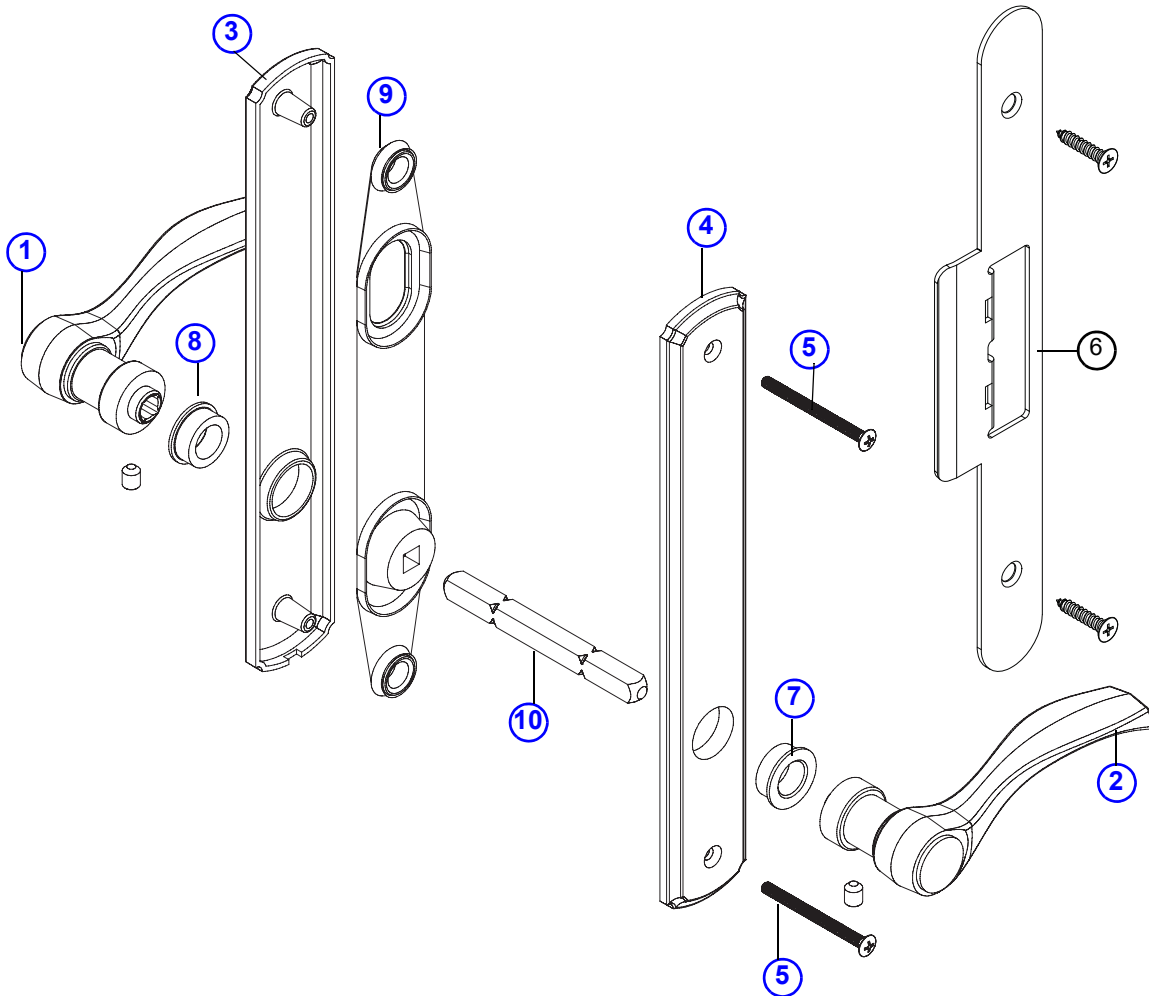
## Hardware

### Newbury® Hardware - Passive Hardware Illustration

**Note:**

See [Accessory Guide 0004286](#).

**Note: Additional parts with Double Hardware Set**



- |  |  |
|--|--|
| 1. <a href="#">Exterior Handle (LH Shown)</a>        | 6. AP/PA Strike Plate (Not Needed on outswing doors) |
| 2. <a href="#">Interior Handle (RH Shown)</a>        | 7. <a href="#">Interior Nylon Bushing</a>            |
| 3. <a href="#">Passive Exterior Escutcheon Plate</a> | 8. <a href="#">Exterior Nylon Bushing</a>            |
| 4. <a href="#">Passive Interior Escutcheon Plate</a> | 9. <a href="#">Trim Set Gasket</a>                   |
| 5. <a href="#">Escutcheon Plate Bolts</a>            | 10. <a href="#">Spindle</a>                          |

### Newbury® Hardware for Hinged Doors - Double Trim Set



# A-Series Outswing Doors (2008 to Present)

Single Panel, 2-Panel, and Stationary Panel

## Hardware

### Complete Trim Set - Newbury® / Interior and Exterior See Illustration [page 63](#) and [page 64](#)

	Finish	Single	Double AP/PA
	Antique Brass	2577504	2577521
Brushed Chrome	2579746	2579747	2579747
Chrome	2577501	2577533	2577533
H.P. Brass	2577543	2577544	2577544
Oil Rubbed Bronze	2579742	2579743	2579743
Satin Nickel	2579443	2579455	2579455



### Trim Set - Newbury® / Interior See Illustration [page 49](#)

	Finish	Single		Double AP/PA
		Left	Right	Order No.
Antique Brass	2572666	2572774	2572667	2572667
Brushed Chrome	N/A	N/A	NA	NA
Chrome	N/A	N/A	N/A	N/A
H.P. Brass	2572664	2572773	2572665	2572665
Oil Rubbed Bronze	2572672	2572777	2572673	2572673
Satin Nickel	2572674	2572778	2572675	2572675

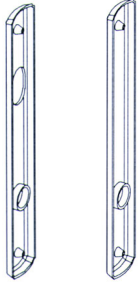
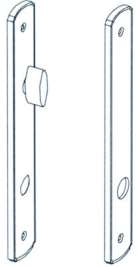
### Trim Set - Newbury® / Exterior See Illustration [page 50](#)

	Finish	Single		Double AP/PA
		Left	Right	Order No.
Antique Brass	2572607	2572752	2572608	2572608
Brushed Chrome	N/A	NA	N/A	N/A
Chrome	N/A	N/A	N/A	N/A
H.P. Brass	2572605	2572751	2572606	2572606
Oil Rubbed Bronze	2572628	2572755	2572629	2572629
Satin Nickel	2572630	2572756	2572631	2572631

### Handle with Screws - Newbury® Ref. No. 1 and 2 [page 63](#) and [page 64](#)

 Right Hand	 Left Hand	Finish	Left	Right
				Antique Brass
		Brushed Chrome	N/A	N/A
		Chrome	2579597	2579598
		H.P. Brass	2579611	2579612
		Oil Rubbed Bronze	2579901	2579903
		Satin Nickel	2579441	2579442

## Hardware

Escutcheon Plate - Newbury® / Exterior Ref. No. 3 <a href="#">page 63</a> and <a href="#">page 64</a>				
 <p><b>Active</b>   <b>Passive</b></p>		Finish	Active	Passive
		Antique Brass	2579606	2579680
		Brushed Chrome	2579914	2579916
		Chrome	N/A	2579604
		H.P. Brass	2579605	2579601
		Oil Rubbed Bronze	2579913	2579915
		Satin Nickel	2579449	2579448
Escutcheon Plate - Newbury® / Interior <a href="#">page 63</a> and <a href="#">page 64</a>				
 <p><b>Active</b>   <b>Passive</b></p>		Finish	Active	Passive
		Antique Brass	2579602	2579674
		Brushed Chrome	2579912	2579910
		Chrome	2579587	2579603
		H.P. Brass	2579609	2579589
		Oil Rubbed Bronze	2579911	2579909
Satin Nickel	2579446	2579447		

# A-Series Outswing Doors (2008 to Present)

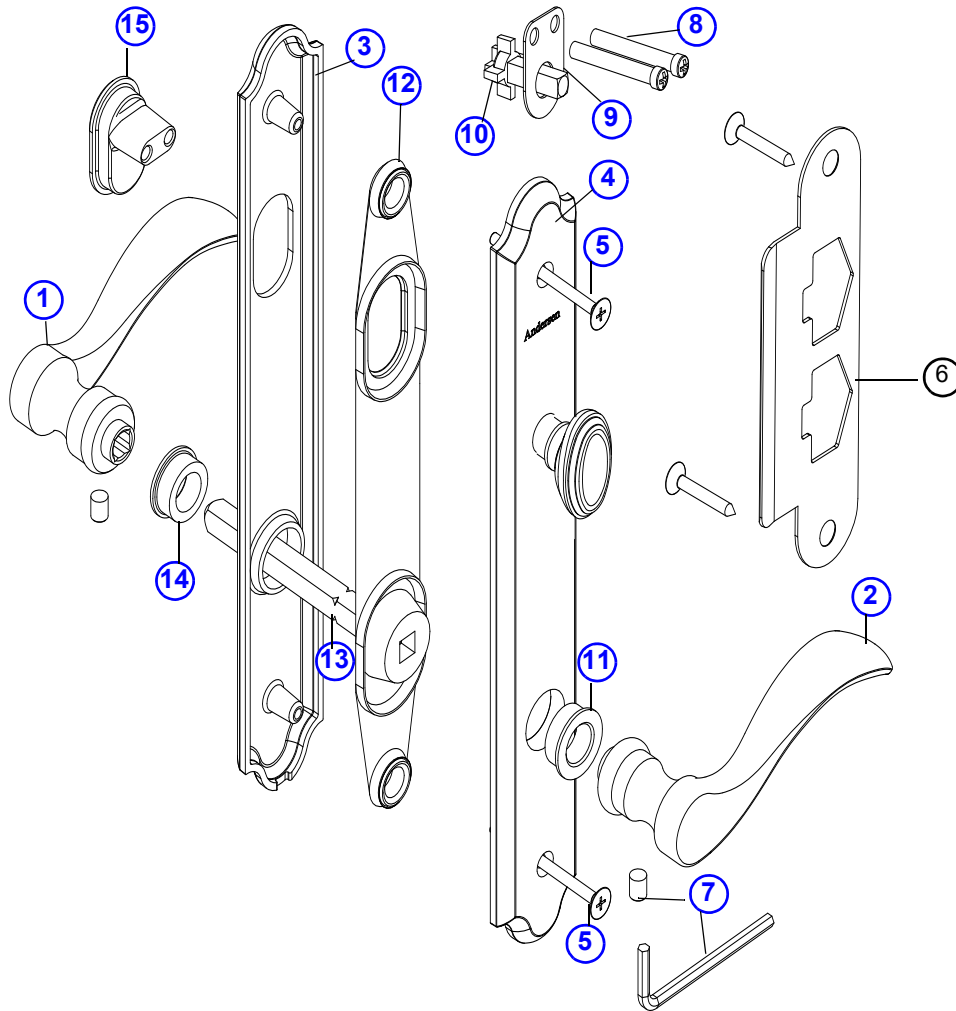
Single Panel, 2-Panel, and Stationary Panel

## Hardware

### Andersen® Hardware - Covington™

**Note:**

See [Accessory Guide 0005156](#).



1. [Exterior Handle \(LH Shown\)](#)
2. [Interior Handle \(RH Shown\)](#)
3. [Active Exterior Escutcheon Plate](#)
4. [Active Interior Escutcheon Plate](#)
5. [Escutcheon Plate Bolts](#)

6. [Strike Plate \(Not Needed on outswing doors\)](#)
7. [Handle Set Screw \(Package\)](#)
8. [Key Cylinder Mounting Bolts](#)
9. [Lock Limiting Plate](#)
10. [Lock Actuator](#)

11. [Interior Nylon Bushing](#)
12. [Trim Set Gasket](#)
13. [Spindle](#)
14. [Exterior Nylon Bushing](#)
15. [Dummy Cylinder](#)

### Covington™ Hardware for Hinged Doors - Single Trim Set

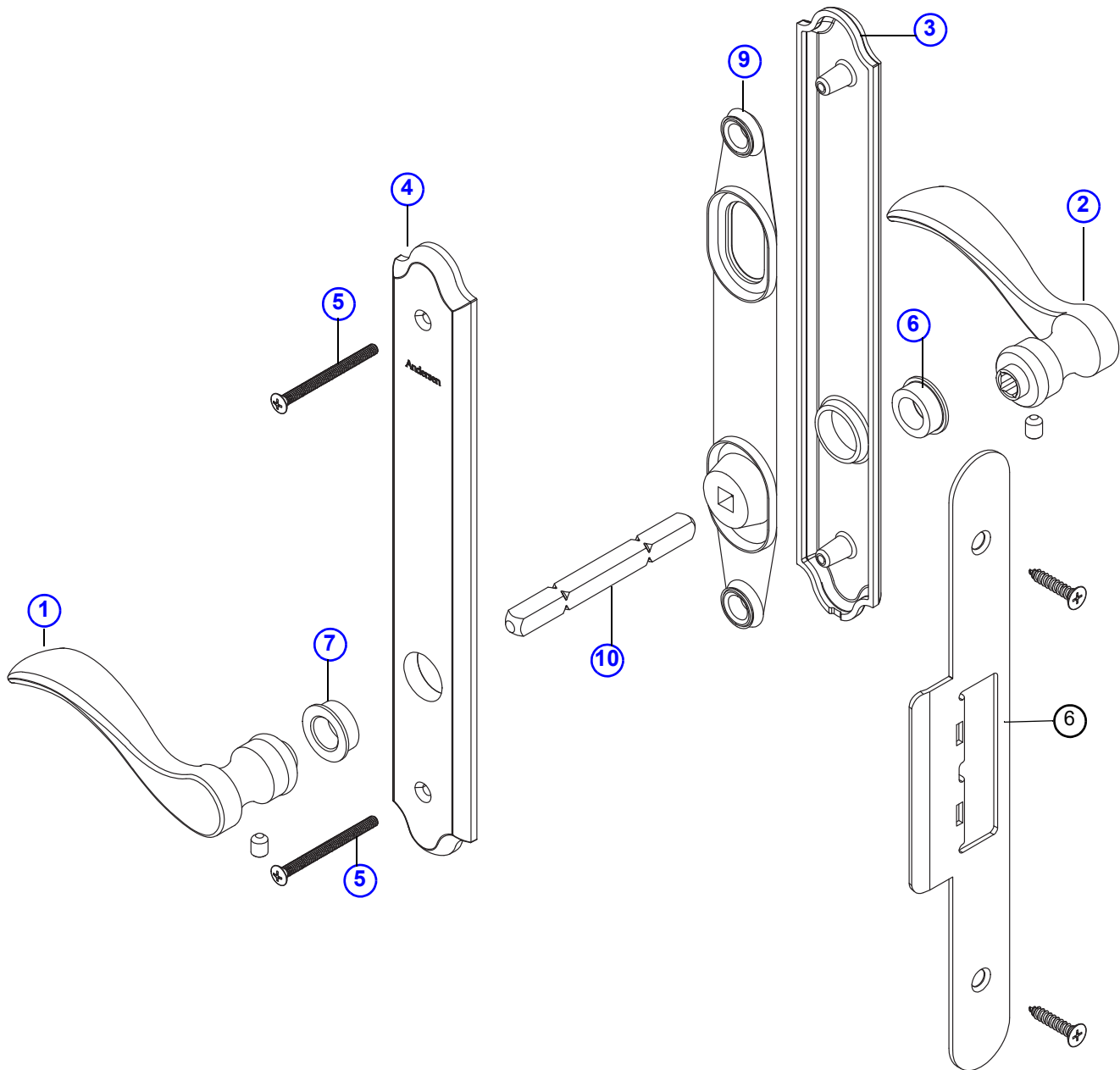
## Hardware

### Covington™ Hardware - Passive Hardware Illustration

**Note:**

See [Accessory Guide 0004286](#).

**Note: Additional parts with Double Hardware Set**



- |  |  |
|--|--|
| 1. <a href="#">Exterior Handle (LH Shown)</a>        | 6. AP/PA Strike Plate (Not Needed on outswing doors) |
| 2. <a href="#">Interior Handle (RH Shown)</a>        | 7. <a href="#">Interior Nylon Bushing</a>            |
| 3. <a href="#">Passive Exterior Escutcheon Plate</a> | 8. <a href="#">Exterior Nylon Bushing</a>            |
| 4. <a href="#">Passive Interior Escutcheon Plate</a> | 9. <a href="#">Trim Set Gasket</a>                   |
| 5. <a href="#">Escutcheon Plate Bolts</a>            | 10. <a href="#">Spindle</a>                          |

### Covington™ Hardware for Hinged Doors - Double Trim Set

# A-Series Outswing Doors (2008 to Present)

Single Panel, 2-Panel, and Stationary Panel

## Hardware

<b>Complete Trim Set - Covington™ / Interior and Exterior</b> See Illustration <a href="#">page 67</a> and <a href="#">page 68</a>			
	<b>Finish</b>	<b>Single</b>	<b>Double AP/PA</b>
	Antique Brass	2578937	2578938
	Bright Brass	2578935	2578936
	Oil Rubbed Bronze	2578941	2578942

<b>Trim Set - Covington™ / Interior</b> See Illustration <a href="#">page 49</a>				
	<b>Finish</b>	<b>Single</b>		<b>Double AP/PA</b>
		<b>Left</b>	<b>Right</b>	<b>Order No.</b>
	Antique Brass	N/A	N/A	N/A
	Bright Brass	NA	NA	N/A
	Oil Rubbed Bronze	NA	NA	N/A

<b>Trim Set - Covington™ / Exterior</b> See Illustration <a href="#">page 50</a>				
	<b>Finish</b>	<b>Single</b>		<b>Double AP/PA</b>
		<b>Left</b>	<b>Right</b>	<b>Order No.</b>
	Antique Brass	N/A	N/A	N/A
	Bright Brass	NA	N/A	N/A
	Oil Rubbed Bronze	N/A	N/A	N/A

<b>Handle with Screws - Covington™</b> Ref. No. 1 and 2 <a href="#">page 67</a> and <a href="#">page 68</a>			
	<b>Finish</b>	<b>Left</b>	<b>Right</b>
	Antique Brass	2573733	N/A
	Bright Brass	2573735	2573736
	Oil Rubbed Bronze	N/A	2573738

<b>Escutcheon Plate - Covington™ / Exterior</b> Ref. No. 3 <a href="#">page 67</a> and <a href="#">page 68</a>			
	<b>Finish</b>	<b>Active</b>	<b>Passive</b>
	Antique Brass	2573769	2573770
	Bright Brass	2573773	N/A
	Oil Rubbed Bronze	2573777	2573778

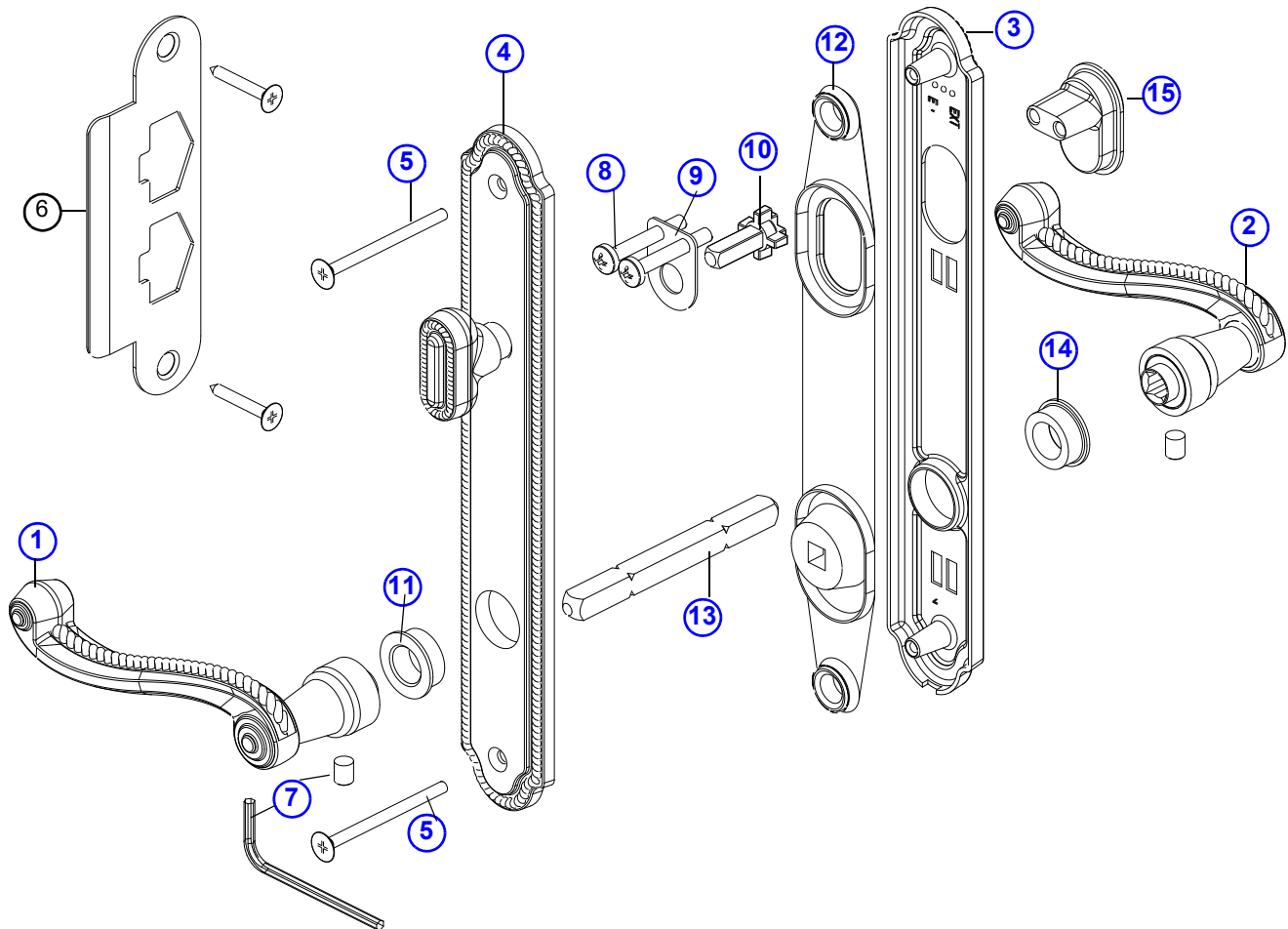
<b>Escutcheon Plate - Covington™ / Interior</b> Ref. No. 3 <a href="#">page 67</a> and <a href="#">page 68</a>			
	<b>Finish</b>	<b>Active</b>	<b>Passive</b>
	Antique Brass	2573767	2573768
	Bright Brass	2573771	2573772
	Oil Rubbed Bronze	2573775	2573776

## Hardware

### Andersen® Hardware - Whitmore®

**Note:**

See [Accessory Guide 0005156](#).



- |   |  |  |
|---|--|--|
| 1. <a href="#">Interior Handle (LH Shown)</a>       | 6. Strike Plate (Not Needed on outswing doors) | 11. <a href="#">Interior Nylon Bushing</a> |
| 2. <a href="#">Exterior Handle (RH Shown)</a>       |  | 12. <a href="#">Trim Set Gasket</a>        |
| 3. <a href="#">Active Exterior Escutcheon Plate</a> | 7. <a href="#">Handle Set Screw (Package)</a>  | 13. <a href="#">Spindle</a>                |
| 4. <a href="#">Active Interior Escutcheon Plate</a> | 8. <a href="#">Key Cylinder Mounting Bolts</a> | 14. <a href="#">Exterior Nylon Bushing</a> |
| 5. <a href="#">Escutcheon Plate Bolts</a>           | 9. <a href="#">Lock Limiting Plate</a>         | 15. <a href="#">Dummy Cylinder</a>         |
|   | 10. <a href="#">Lock Actuator</a>              |  |

### Whitmore® Hinged Patio Door Hardware - Single Trim Set

# A-Series Outswing Doors (2008 to Present)

Single Panel, 2-Panel, and Stationary Panel

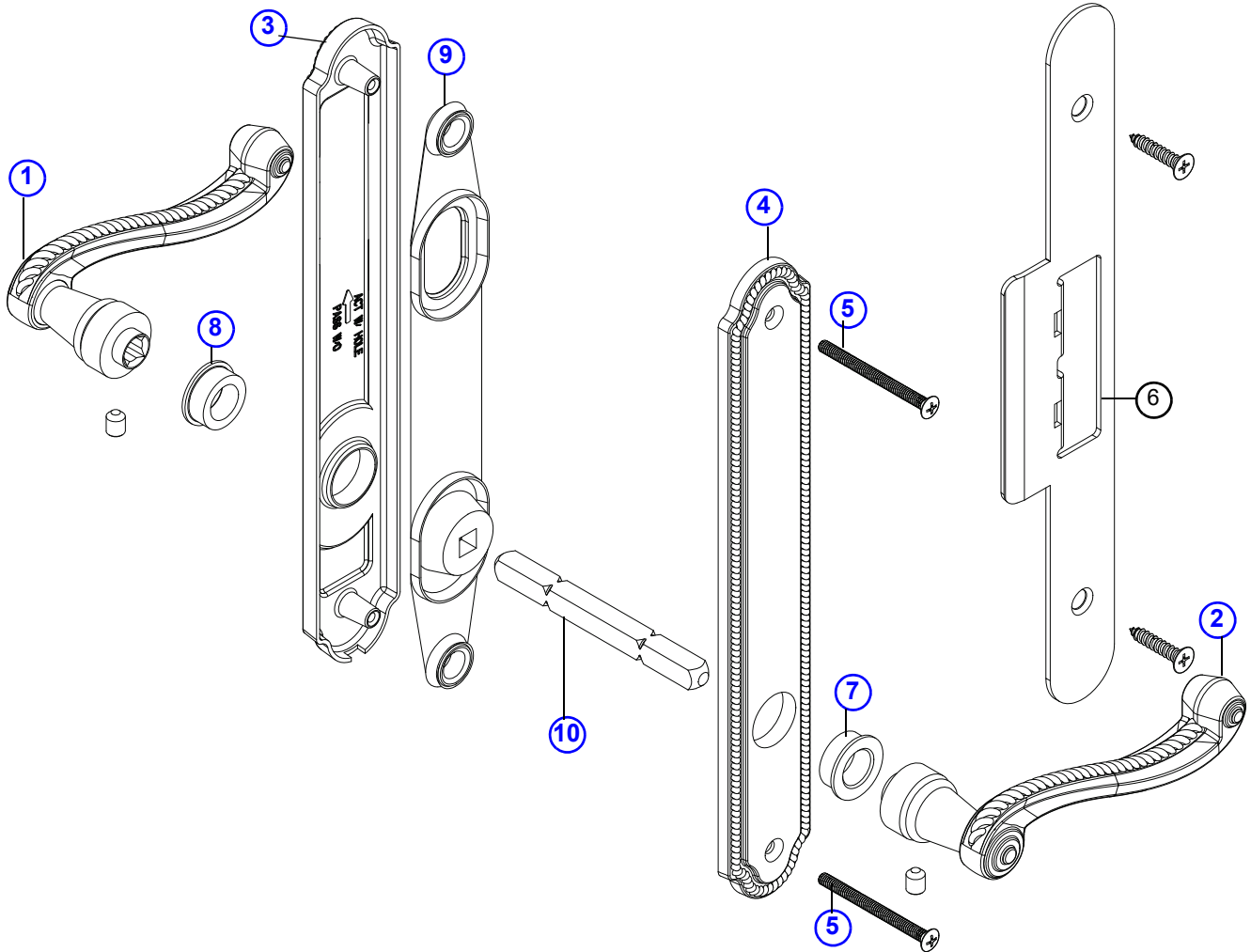
## Hardware

### Whitmore® Hardware - Passive Hardware Illustration

**Note:**

See [Accessory Guide 0004286](#).

**Note: Additional parts with Double Hardware Set**



- |  |  |
|--|--|
| 1. <a href="#">Exterior Handle (LH Shown)</a>        | 6. AP/PA Strike Plate (Not Needed on outswing doors) |
| 2. <a href="#">Interior Handle (RH Shown)</a>        | 7. <a href="#">Interior Nylon Bushing</a>            |
| 3. <a href="#">Passive Exterior Escutcheon Plate</a> | 8. <a href="#">Exterior Nylon Bushing</a>            |
| 4. <a href="#">Passive Interior Escutcheon Plate</a> | 9. <a href="#">Trim Set Gasket</a>                   |
| 5. <a href="#">Escutcheon Plate Bolts</a>            | 10. <a href="#">Spindle</a>                          |

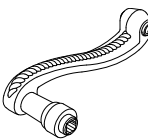
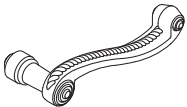
### Whitmore® Hinged Patio Door Hardware - Double Trim Set

## Hardware

<b>Complete Trim Set - Whitmore® / Interior and Exterior</b> See Illustration <a href="#">page 70</a> and <a href="#">page 71</a>			
	<b>Finish</b>	<b>Single</b>	<b>Double AP/PA</b>
	Antique Brass	2578923	2578924
	Bright Brass	2578919	2578920
	Oil Rubbed Bronze	2578925	2578926
	Satin Nickel	2578921	2578922

<b>Trim Set - Whitmore® / Interior</b> See Illustration <a href="#">page 49</a>				
	<b>Finish</b>	<b>Single</b>		<b>Double AP/PA</b>
		<b>Left</b>	<b>Right</b>	<b>Order No.</b>
	Antique Brass	N/A	N/A	N/A
	Bright Brass	N/A	NA	N/A
	Oil Rubbed Bronze	N/A	N/A	N/A
	Satin Nickel	N/A	N/A	NA

<b>Trim Set - Whitmore® / Exterior</b> See Illustration <a href="#">page 50</a>				
	<b>Finish</b>	<b>Single</b>		<b>Double AP/PA</b>
		<b>Left</b>	<b>Right</b>	<b>Order No.</b>
	Antique Brass	N/A	N/A	N/A
	Bright Brass	N/A	N/A	N/A
	Oil Rubbed Bronze	N/A	N/A	N/A
	Satin Nickel	N/A	N/A	NA

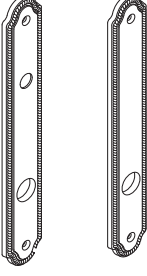
<b>Handle with Screws - Whitmore®</b> Ref. No. 1 and 2 <a href="#">page 70</a> and <a href="#">page 71</a>				
 <b>Left Hand</b>   <b>Right Hand</b>	<b>Finish</b>	<b>Left</b>	<b>Right</b>	
	Antique Brass	2573725	2573726	
	Bright Brass	2573727	2573728	
	Oil Rubbed Bronze	2573729	2573730	
	Satin Nickel	2573731	2573732	



# A-Series Outswing Doors (2008 to Present)

Single Panel, 2-Panel, and Stationary Panel

## Hardware

Escutcheon Plate - Whitmore® / Exterior Ref. No. 3 <a href="#">page 70</a> and <a href="#">page 71</a>				
		Finish	Active	Passive
		Antique Brass	2573753	2573754
		Bright Brass	2573757	N/A
		Oil Rubbed Bronze	2573761	2573762
		Satin Nickel	2573765	2573766

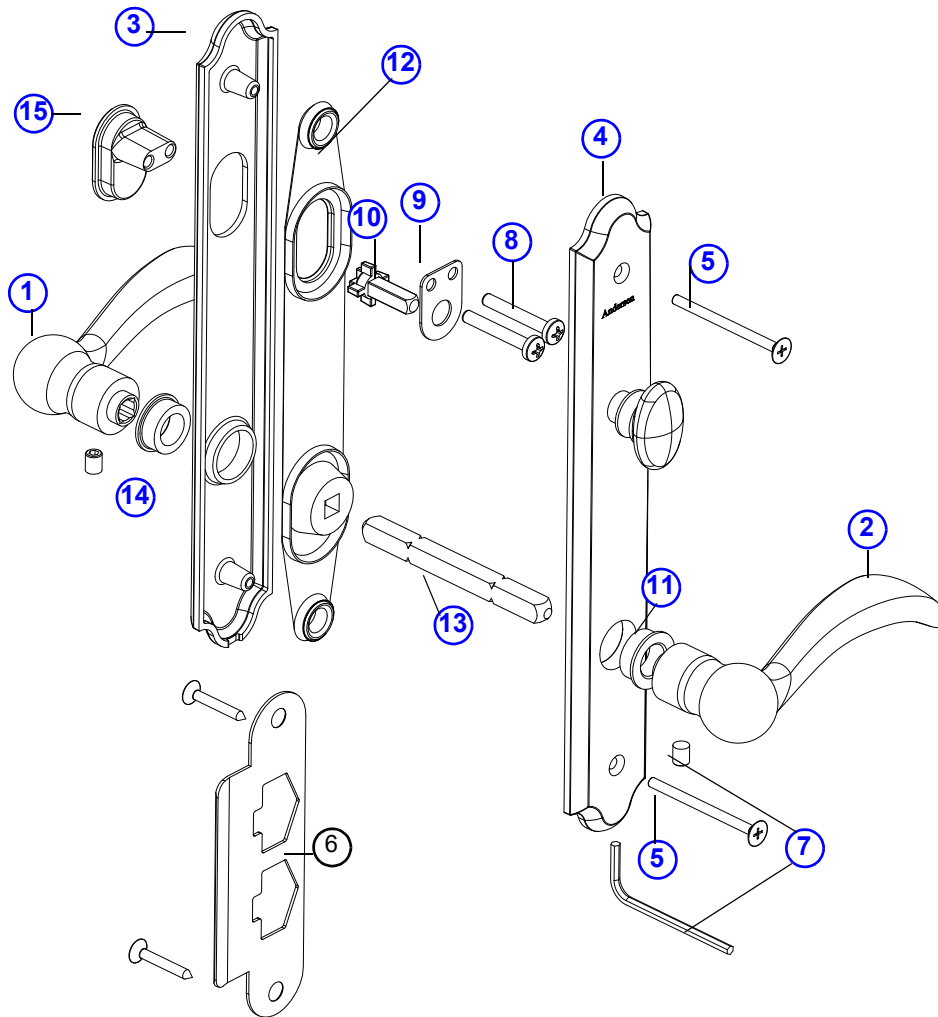
Escutcheon Plate - Whitmore® / Interior Ref. No. 3 <a href="#">page 70</a> and <a href="#">page 71</a>				
		Finish	Active	Passive
		Antique Brass	2573751	2573752
		Bright Brass	2573755	2573756
		Oil Rubbed Bronze	2573759	2573760
		Satin Nickel	2573763	2573764

## Hardware

### Andersen® Hardware - Encino®

**Note:**

See [Accessory Guide 0005156](#).



- |   |  |  |
|---|--|--|
| 1. <a href="#">Exterior Handle (LH Shown)</a>       | 6. Strike Plate (Not Needed on outswing doors) | 11. <a href="#">Interior Nylon Bushing</a> |
| 2. <a href="#">Interior Handle (RH Shown)</a>       | 7. <a href="#">Handle Set Screw (Package)</a>  | 12. <a href="#">Trim Set Gasket</a>        |
| 3. <a href="#">Active Exterior Escutcheon Plate</a> | 8. <a href="#">Key Cylinder Mounting Bolts</a> | 13. <a href="#">Spindle</a>                |
| 4. <a href="#">Active Interior Escutcheon Plate</a> | 9. <a href="#">Lock Limiting Plate</a>         | 14. <a href="#">Exterior Nylon Bushing</a> |
| 5. <a href="#">Escutcheon Plate Bolts</a>           | 10. <a href="#">Lock Actuator</a>              | 15. <a href="#">Dummy Cylinder</a>         |

### Encino® Hinged Patio Door Hardware - Single Trim Set

# A-Series Outswing Doors (2008 to Present)

Single Panel, 2-Panel, and Stationary Panel

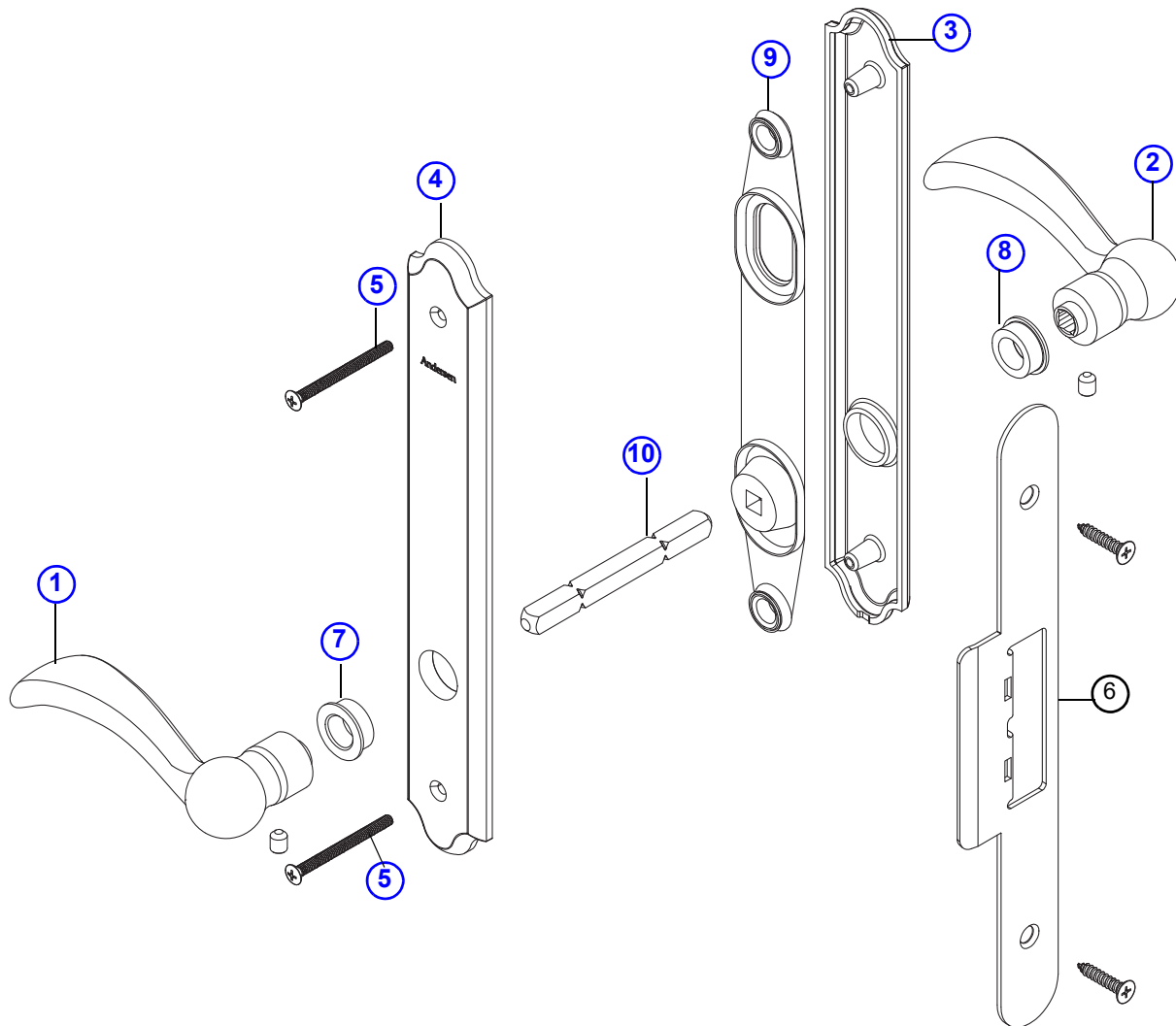
## Hardware

### Encino® Hardware - Passive Hardware Illustration

**Note:**

See [Accessory Guide 0004286](#).

**Note: Additional parts with Double Hardware Set**



1. [Exterior Handle \(LH Shown\)](#)
2. [Interior Handle \(RH Shown\)](#)
3. [Passive Exterior Escutcheon Plate](#)
4. [Passive Interior Escutcheon Plate](#)
5. [Escutcheon Plate Bolts](#)
6. AP/PA Strike Plate (Not Needed on outswing doors)
7. [Interior Nylon Bushing](#)
8. [Exterior Nylon Bushing](#)
9. [Trim Set Gasket](#)
10. [Spindle](#)

### Encino® Hinged Patio Door Hardware - Double Trim Set

## Hardware

<b>Complete Trim Set - Encino® / Interior and Exterior</b> See Illustration <a href="#">page 74</a> and <a href="#">page 75</a>				
	Finish	Single		Double AP/PA
	Distressed Bronze	2578927		2578928
	Distressed Nickel	2578929		2578930
<b>Trim Set - Encino® / Interior</b> See Illustration <a href="#">page 49</a>				
	Finish	Single		Double AP/PA
		Left	Right	Order No.
	Distressed Bronze	2572696	2572789	2572697
Distressed Nickel	2572701	2572791	2572702	
<b>Trim Set - Encino® / Exterior</b> See Illustration <a href="#">page 50</a>				
	Finish	Single		Double AP/PA
		Left	Right	Order No.
	Distressed Bronze	2572652	2572767	2572653
Distressed Nickel	2572656	2572769	2572657	
<b>Handle with Screws - Encino®</b> Ref. No. 1 and 2 <a href="#">page 74</a> and <a href="#">page 75</a>				
	Finish	Left	Right	
	Distressed Bronze	2573789	2573790	
	Distressed Nickel	2573791	2573792	
<b>Escutcheon Plate - Encino® / Exterior</b> No. 3 and 4 <a href="#">page 74</a> and <a href="#">page 75</a>				
	Finish	Active	Passive	
	Distressed Bronze	2573804	2573805	
	Distressed Nickel	2573808	2573809	
<b>Escutcheon Plate - Encino® / Interior</b> No. 3 and 4 <a href="#">page 74</a> and <a href="#">page 75</a>				
	Finish	Active	Passive	
	Distressed Bronze	2573802	2573803	
	Distressed Nickel	2573806	2573807	

# A-Series Outswing Doors (2008 to Present)

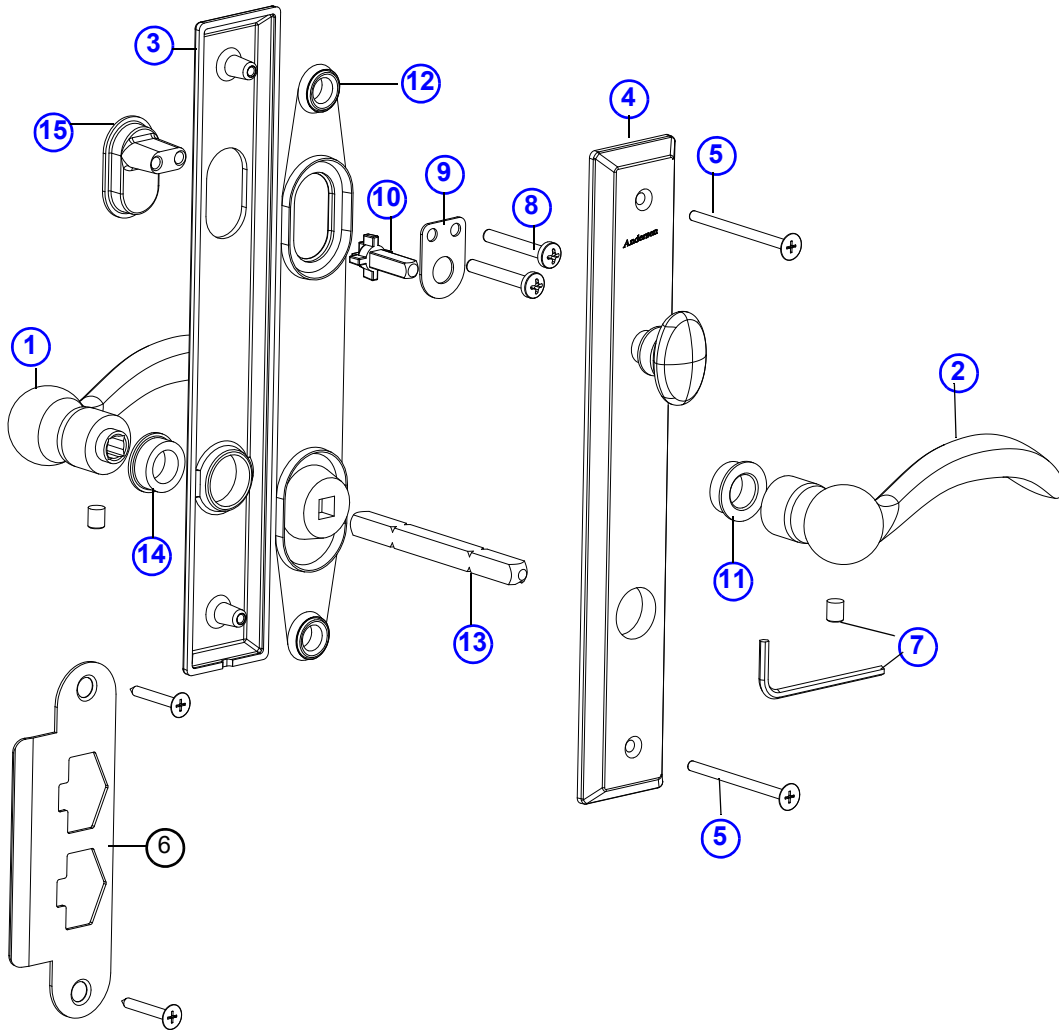
Single Panel, 2-Panel, and Stationary Panel

## Hardware

### Andersen® Hardware - Yuma®

**Note:**

See [Accessory Guide 0005156](#).



- |   |  |  |
|---|--|--|
| 1. <a href="#">Exterior Handle (LH Shown)</a>       | 6. Strike Plate (Not Needed on outswing doors) | 11. <a href="#">Interior Nylon Bushing</a> |
| 2. <a href="#">Interior Handle (RH Shown)</a>       | 7. <a href="#">Handle Set Screw (Package)</a>  | 12. <a href="#">Trim Set Gasket</a>        |
| 3. <a href="#">Active Exterior Escutcheon Plate</a> | 8. <a href="#">Key Cylinder Mounting Bolts</a> | 13. <a href="#">Spindle</a>                |
| 4. <a href="#">Active Interior Escutcheon Plate</a> | 9. <a href="#">Lock Limiting Plate</a>         | 14. <a href="#">Exterior Nylon Bushing</a> |
| 5. <a href="#">Escutcheon Plate Bolts</a>           | 10. <a href="#">Lock Actuator</a>              | 15. <a href="#">Dummy Cylinder</a>         |

### Yuma® Hinged Patio Door Hardware - Single Trim Set

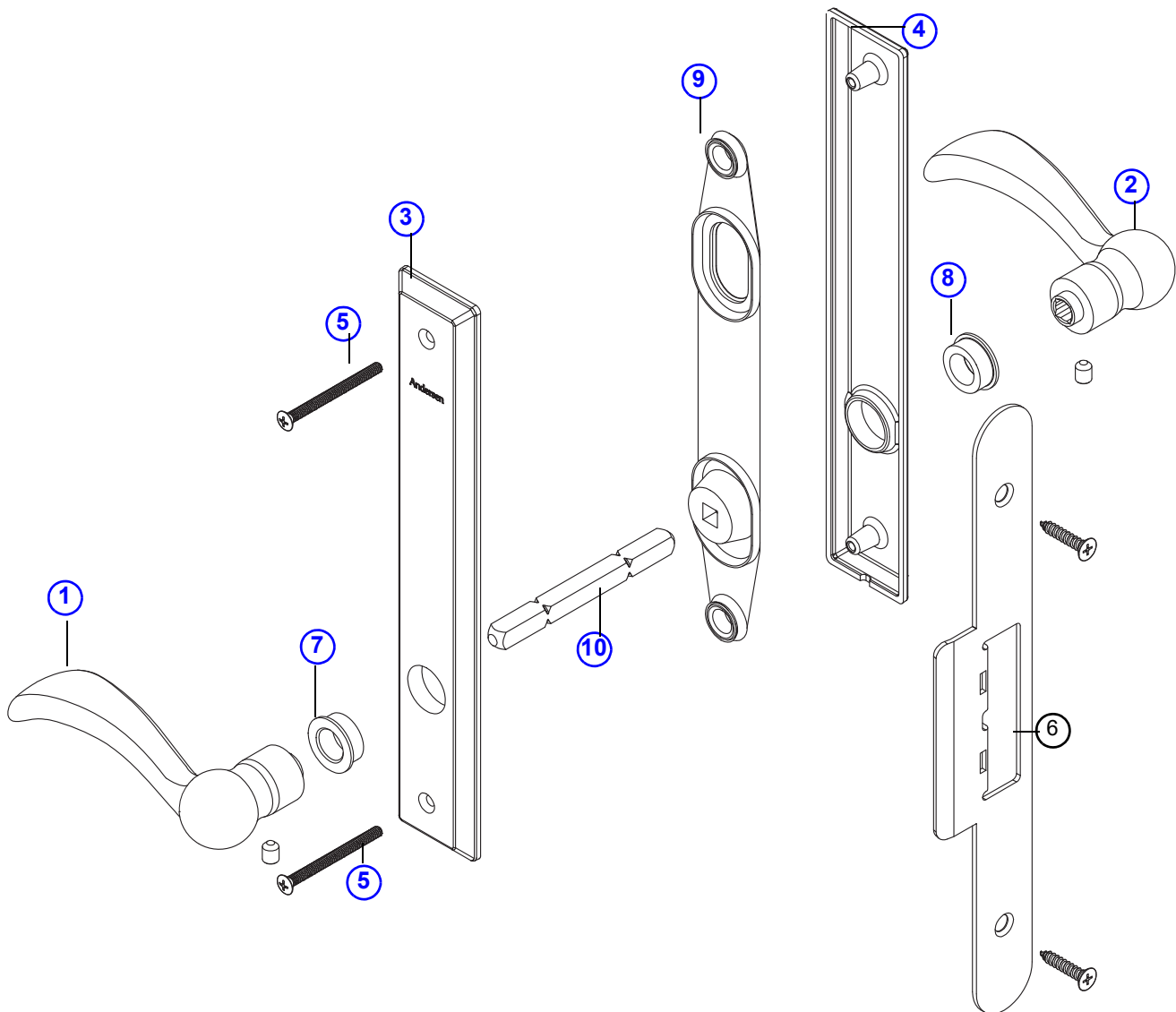
## Hardware

### Yuma® Hardware - Passive Hardware Illustration

**Note:**

See [Accessory Guide 0004286](#).

**Note: Additional parts with Double Hardware Set**



- |  |  |
|--|--|
| 1. <a href="#">Exterior Handle (LH Shown)</a>        | 6. AP/PA Strike Plate (Not Needed on outswing doors) |
| 2. <a href="#">Interior Handle (RH Shown)</a>        | 7. <a href="#">Interior Nylon Bushing</a>            |
| 3. <a href="#">Passive Exterior Escutcheon Plate</a> | 8. <a href="#">Exterior Nylon Bushing</a>            |
| 4. <a href="#">Passive Interior Escutcheon Plate</a> | 9. <a href="#">Trim Set Gasket</a>                   |
| 5. <a href="#">Escutcheon Plate Bolts</a>            | 10. <a href="#">Spindle</a>                          |

### Yuma® Hinged Patio Door Hardware - Double Trim Set

# A-Series Outswing Doors (2008 to Present)

Single Panel, 2-Panel, and Stationary Panel

## Hardware

<b>Complete Trim Set - Yuma® / Interior and Exterior</b> See Illustration <a href="#">page 77</a> and <a href="#">page 78</a>				
	<b>Finish</b>	<b>Single</b>		<b>Double AP/PA</b>
	Distressed Bronze	2578931		2578932
	Distressed Nickel	2578933		2578934
<b>Trim Set - Yuma® / Interior</b> See Illustration <a href="#">page 49</a>				
	<b>Finish</b>	<b>Single</b>		<b>Double AP/PA</b>
		<b>Left</b>	<b>Right</b>	<b>Order No.</b>
	Distressed Bronze	2572698	2572790	2572699
Distressed Nickel	2572703	2572792	2572705	
<b>Trim Set - Yuma® / Exterior</b> See Illustration <a href="#">page 50</a>				
	<b>Finish</b>	<b>Single</b>		<b>Double AP/PA</b>
		<b>Left</b>	<b>Right</b>	<b>Order No.</b>
	Distressed Bronze	2572654	2572768	2572655
Distressed Nickel	2572658	2572770	2572659	
<b>Handle with Screws - Yuma®</b> Ref. No. 1 and 2 <a href="#">page 77</a> and <a href="#">page 78</a>				
	<b>Finish</b>	<b>Left</b>	<b>Right</b>	
	Distressed Bronze	2573789	2573790	
	Distressed Nickel	2573791	2573792	
<b>Escutcheon Plate - Yuma® / Exterior</b> Ref. No. 3 and 4 <a href="#">page 77</a> and <a href="#">page 78</a>				
	<b>Finish</b>	<b>Active</b>	<b>Passive</b>	
	Distressed Bronze	2573812	2573813	
	Distressed Nickel	2573816	2573817	
<b>Escutcheon Plate - Yuma® / Interior</b> Ref. No. 3 and 4 <a href="#">page 77</a> and <a href="#">page 78</a>				
	<b>Finish</b>	<b>Active</b>	<b>Passive</b>	
	Distressed Bronze	2573810	2573811	
	Distressed Nickel	2573814	2573815	

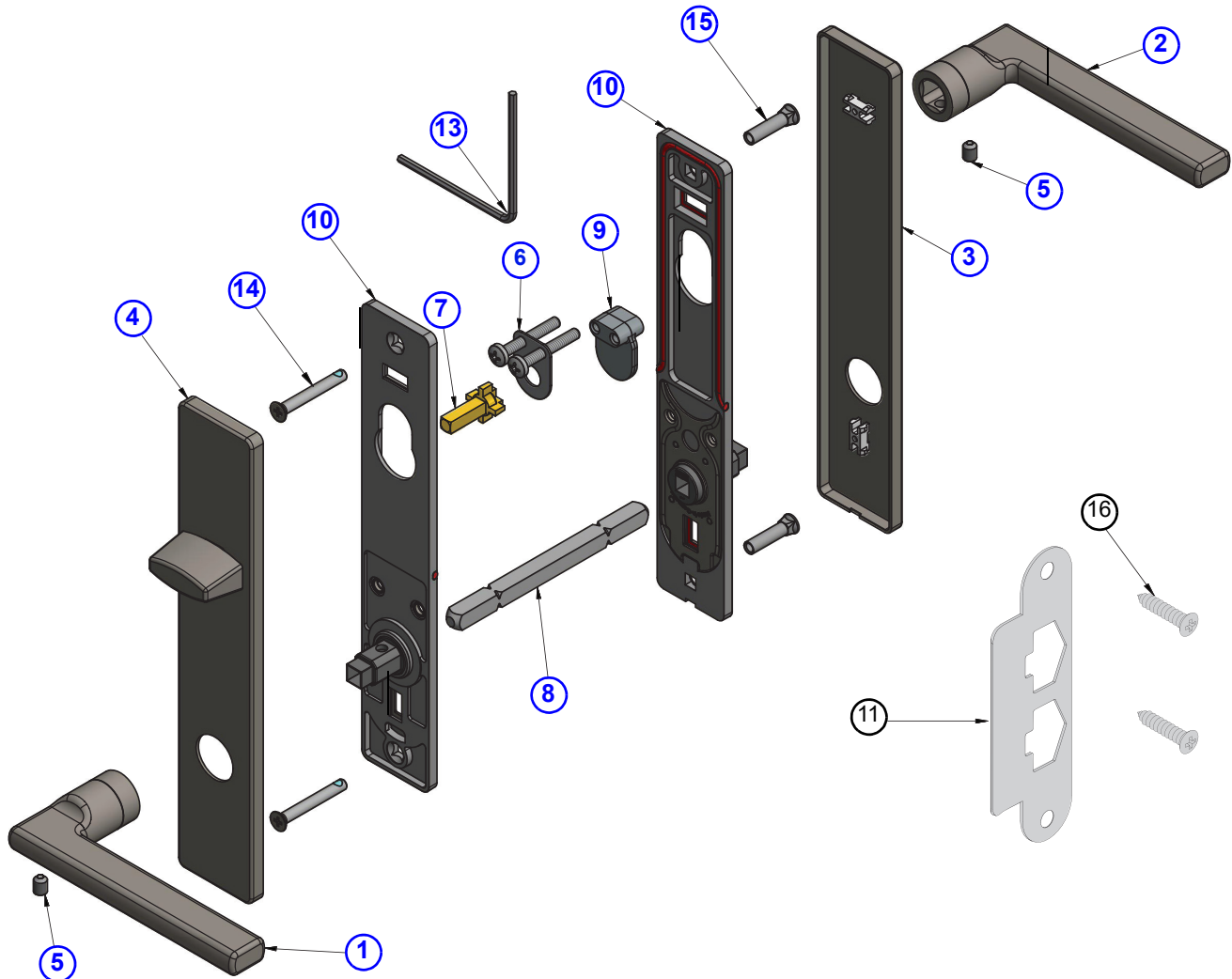
## Hardware

### Designer Hardware - FSB®

#### FSB® Hardware - Active Hardware Illustration

**Note:**

See [Accessory Guide 9173980](#) (page six latch strike detail). FSB® 1035 Style shown.



- |   |   |  |
|---|---|--|
| 1. <a href="#">Interior Handle</a>                  | 6. <a href="#">Lock Limiting Plate</a>          | 13. <a href="#">Hex Key (3MM)</a>                    |
| 2. <a href="#">Exterior Handle</a>                  | 7. <a href="#">Lock Actuator</a>                | 14. <a href="#">Escutcheon Base Plate Screw</a>      |
| 3. <a href="#">Active Exterior Escutcheon Plate</a> | 8. <a href="#">Spindle</a>                      | 15. <a href="#">Escutcheon Base Plate Sleeve Nut</a> |
| 4. <a href="#">Active Interior Escutcheon Plate</a> | 9. <a href="#">Screw Retainer</a>               | 16. <a href="#">Strike Plate Screw</a>               |
| 5. <a href="#">Handle Set Screw</a>                 | 10. <a href="#">Escutcheon Base Plate</a>       |  |
|   | 11. Strike Plate (Not Needed on outswing doors) |  |

#### FSB® Hinged Patio Door Hardware - Active Single Trim Set



# A-Series Outswing Doors (2008 to Present)

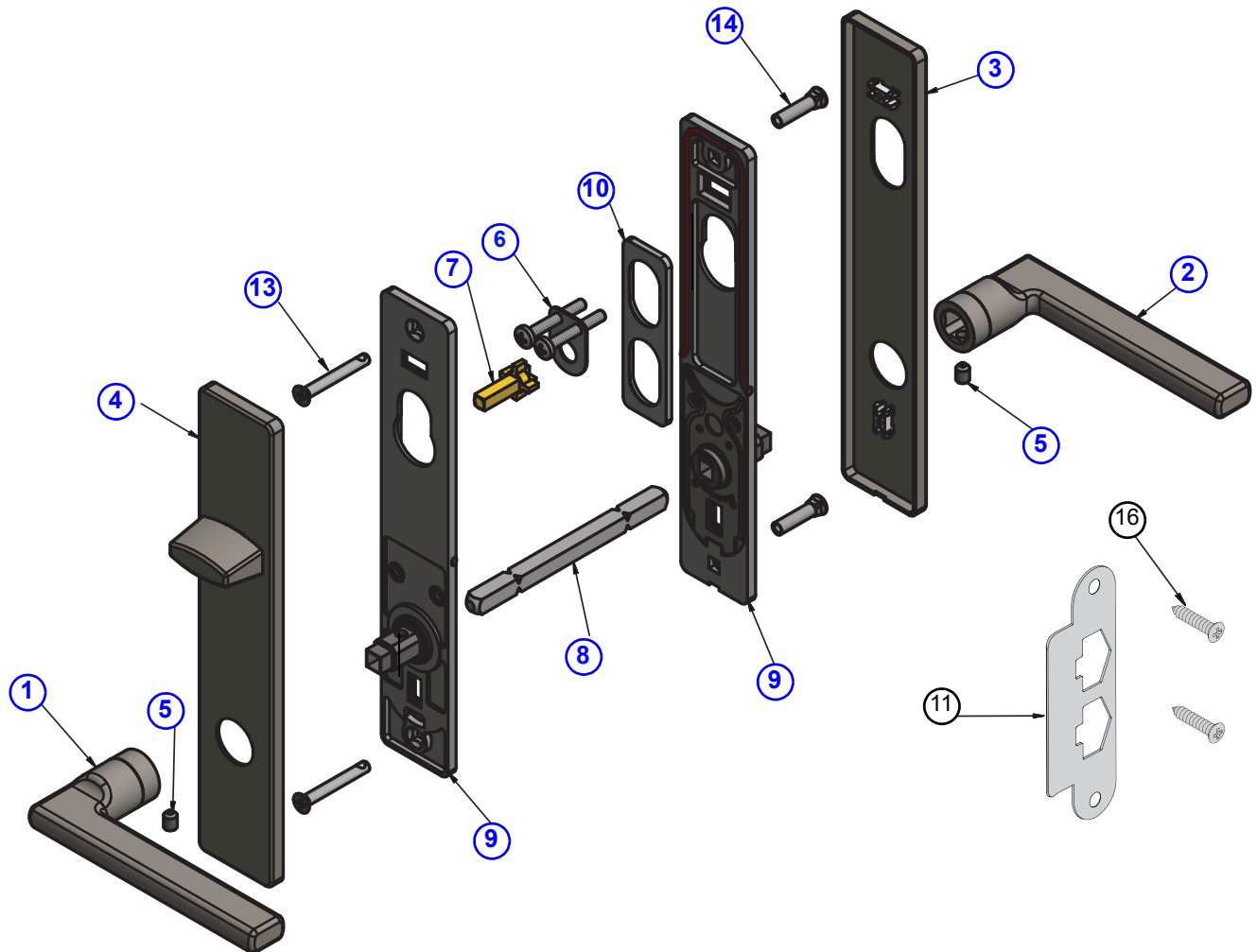
Single Panel, 2-Panel, and Stationary Panel

## Hardware

### FSB® Hardware - Active / Keyed Lock

**Note:**

See [Accessory Guide 9173980](#) (page six latch strike detail). FSB® 1035 Style shown. Escutcheon plate routed for keyed lock but does not include keyed lock. [Keyed lock](#) sold separately.



- |   |   |  |
|---|---|--|
| 1. <a href="#">Interior Handle</a>                  | 7. <a href="#">Lock Actuator</a>                | 13. <a href="#">Escutcheon Base Plate Screw</a>      |
| 2. <a href="#">Exterior Handle</a>                  | 8. <a href="#">Spindle</a>                      | 14. <a href="#">Escutcheon Base Plate Sleeve Nut</a> |
| 3. <a href="#">Active Exterior Escutcheon Plate</a> | 9. <a href="#">Escutcheon Base Plate</a>        | 15. Strike Plate Screw                               |
| 4. <a href="#">Active Interior Escutcheon Plate</a> | 10. <a href="#">Gasket</a>                      |  |
| 5. <a href="#">Handle Set Screw</a>                 | 11. Strike Plate (Not Needed on outswing doors) |  |
| 6. <a href="#">Lock Limiting Plate</a>              |   |  |

### FSB® Hinged Patio Door Hardware - Single Trim Set

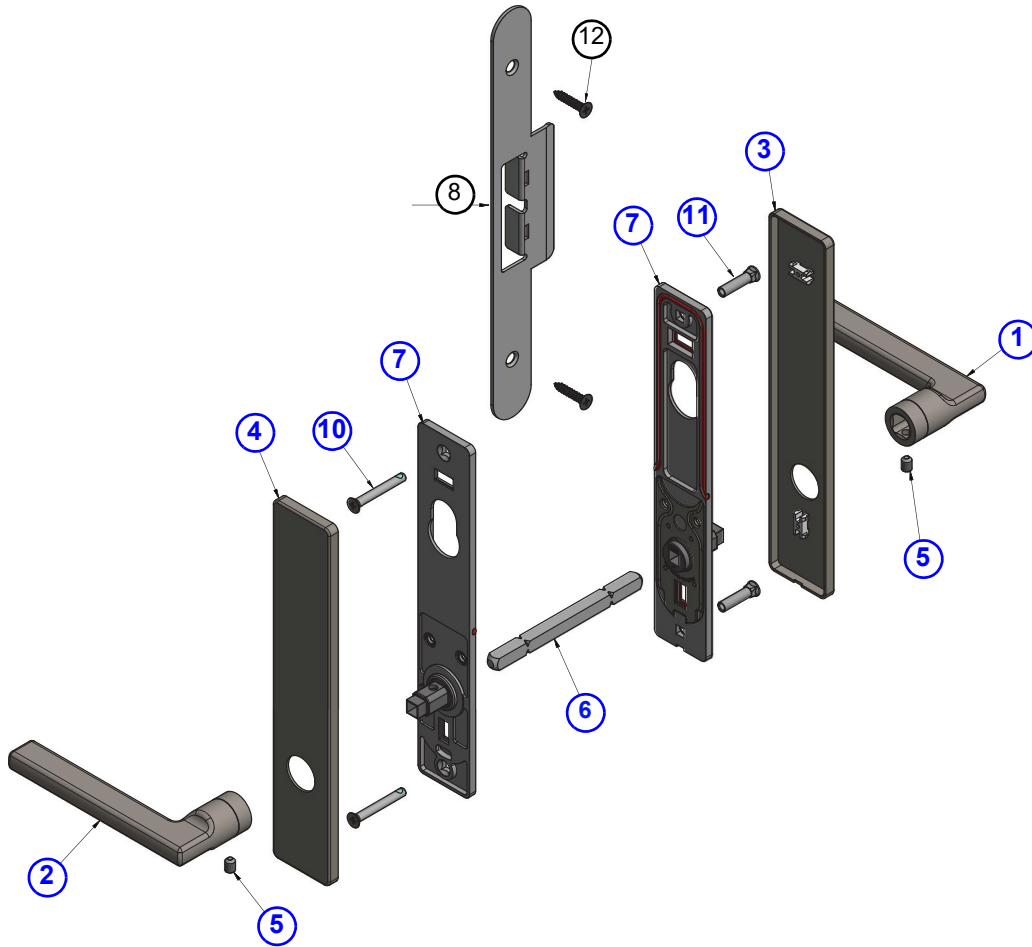
## Hardware

### FSB® Hardware - Passive

**Note:**

See [Accessory Guide 9173980](#) (page six latch strike detail). FSB® 1035 Style shown.

**Note: Additional parts with Double Hardware Set**



- |  |  |
|--|--|
| <ul style="list-style-type: none"> <li>1. <a href="#">Exterior Handle</a></li> <li>2. <a href="#">Interior Handle</a></li> <li>3. <a href="#">Passive Exterior Escutcheon Plate</a></li> <li>4. <a href="#">Passive Interior Escutcheon Plate</a></li> <li>5. <a href="#">Set Screw</a></li> <li>6. <a href="#">Spindle</a></li> </ul> | <ul style="list-style-type: none"> <li>7. <a href="#">Escutcheon Base Plate</a></li> <li>08. Strike Plate (Not Needed on outswing doors)</li> <li>10. <a href="#">Escutcheon Base Plate Screw</a></li> <li>11. <a href="#">Escutcheon Base Plate Sleeve Nut</a></li> <li>12. Strike Plate Screw</li> </ul> |
|--|--|

**FSB® Hinged Patio Door Hardware - Double Trim Set**

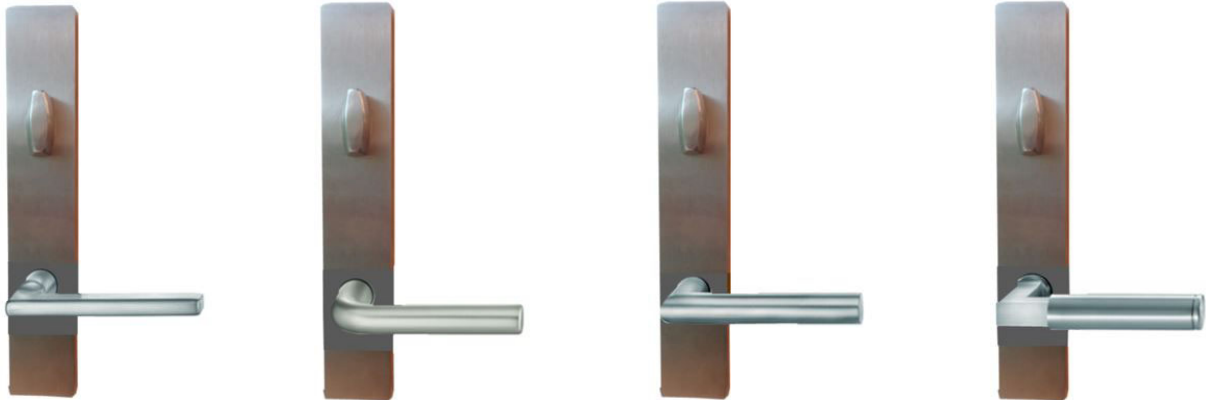
# A-Series Outswing Doors (2008 to Present)

Single Panel, 2-Panel, and Stationary Panel

## Hardware

### Complete Trim Set Ref. contents shown in illustrations on [page 80](#) and [page 81](#) and [page 82](#)

**Note:**  
[Keyed lock](#) sold separately.



1035

1075

1076

1102

Type	Non-Keyed				Keyed			
	Black Anodized		Satin Stainless Steel		Black Anodized		Satin Stainless Steel	
	Single	Double AP/PA	Single	Double AP/PA	Single	Double AP/PA	Single	Double AP/PA
1035	9184744	9184750	9172936	9172944	9184747	9184753	9172940	9172948
1075	9184745	9184751	9172937	9172945	9184748	9184754	9172941	9172949
1076	9184746	9184752	9172938	9172946	9184749	9184755	9172942	9172950
1102			9172939	9172947			9172943	9172951

### Handle with Screws - FSB® Ref. No. 1 and 2 [page 80](#) and [page 81](#) and [page 82](#)

Type	Black Anodized		Satin Stainless Steel	
	Left	Right	Left	Right
1035	9184760	9184759	9173722	9173721
1075	9184762	9184761	9173724	9173723
1076	9184764	9184763	9173726	9173725
1102			9173728	9173727

### Escutcheon Plate - FSB® / Exterior Ref. No. 3 and 4 [page 80](#) and [page 81](#) and [page 82](#)

Note: All styles (1035, 1075, 1076 and 1102) use the same interior/exterior escutcheon plate.	Finish	Active (Non-Keyed)	Active (Keyed Lock)	Passive
	SS Steel	9173719	9173720	9173719
	Black Anodized	9184757	9184758	9184757

### Escutcheon Plate - FSB® / Interior Ref. No. 3 and 4 [page 80](#) and [page 81](#) and [page 82](#)

Finish	Active	Passive
SS Steel	9173718	9173719
Black Anodized	9184756	9184757

### Escutcheon Base Plate Assembly - FSB® Ref. No. 10 [page 80](#) and [page 81](#) and [page 82](#)

Finish	Order No.
Zinc	9173729

## Hardware

### Trim Set Hardware Package - FSB® [page 80](#) and [page 81](#) and [page 82](#)

	<b>Ref. No.</b>	<b>Double Package Includes</b>
	1	2 - Hex Key 3MM
	2	1 - Screw Retainer
	3	1 - Lock Actuator
	4	4 - Set Screw 3MM
	5	4 - Escutcheon Base Plate Screw
	6	4 - Escutcheon Base Plate Sleeve Nut
	7	2 - Spindle
	9	1 - Lock Limiting Plate
	10	2 - Strike Plate Screws (Satin Nickel or ORB) #10 - 13 x 1" PH FL undercut wood
	11	2 - Keyed Cylinder Mounting Bolt M5 x .8 - 35mm PH w/#10 fill HD mach zinc

**Note:**  
FSB® style hardware uses a unique screw pack. See PKD 1150.

Finish	Single	Double
Stainless Steel	9173735	9173736
Black	9184911	9184912

### Screw Pack - FSB® [page 80](#) and [page 81](#) and [page 82](#)

	<b>Package Includes:</b> (2) - Escutcheon Base Plate Screw (2) - Escutcheon Base Plate Sleeve Nut (2) - Handle Set Screw, 3MM (1) - Hex Key, 3MM <b>Note:</b> FSB® style uses unique set screw.	<b>Order No.</b>
		9173731

### Escutcheon Base Plate - FSB® [page 80](#) and [page 81](#) and [page 82](#)

	<b>Note:</b> Use for FSB® style trim sets.	<b>Order No.</b>
		9173729

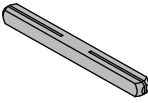
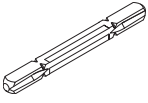
### Gasket - Keyed Lock - FSB® Ref. No. 10 [page 81](#)

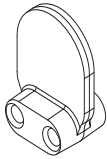
	<b>Note:</b> Used with keyed lock exterior escutcheon plate.	<b>Order No.</b>
		9173734

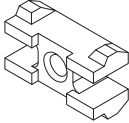
# A-Series Outswing Doors (2008 to Present)

Single Panel, 2-Panel, and Stationary Panel

## Hardware

Spindle - FSB® <a href="#">page 80</a> and <a href="#">page 81</a> and <a href="#">page 82</a>					
		<b>Note:</b> FSB® style hardware uses unique spindle.	<b>Length</b>	<b>Standard</b>	<b>Retrofit</b>
<b>Standard</b>	<b>Retrofit</b>		4 <sup>5</sup> / <sub>8</sub>	9173732	9173737

Screw Retainer - FSB® / Construction Trim Sets Ref. No. 9 <a href="#">page 80</a>		
		<b>Order No.</b>
		9173733

Escutcheon Plate Clip - FSB®		
	<b>Note:</b> Secures to back side of escutcheon plate.	<b>Order No.</b>
		9173730

## Hardware

### Designer Hardware - Baldwin®

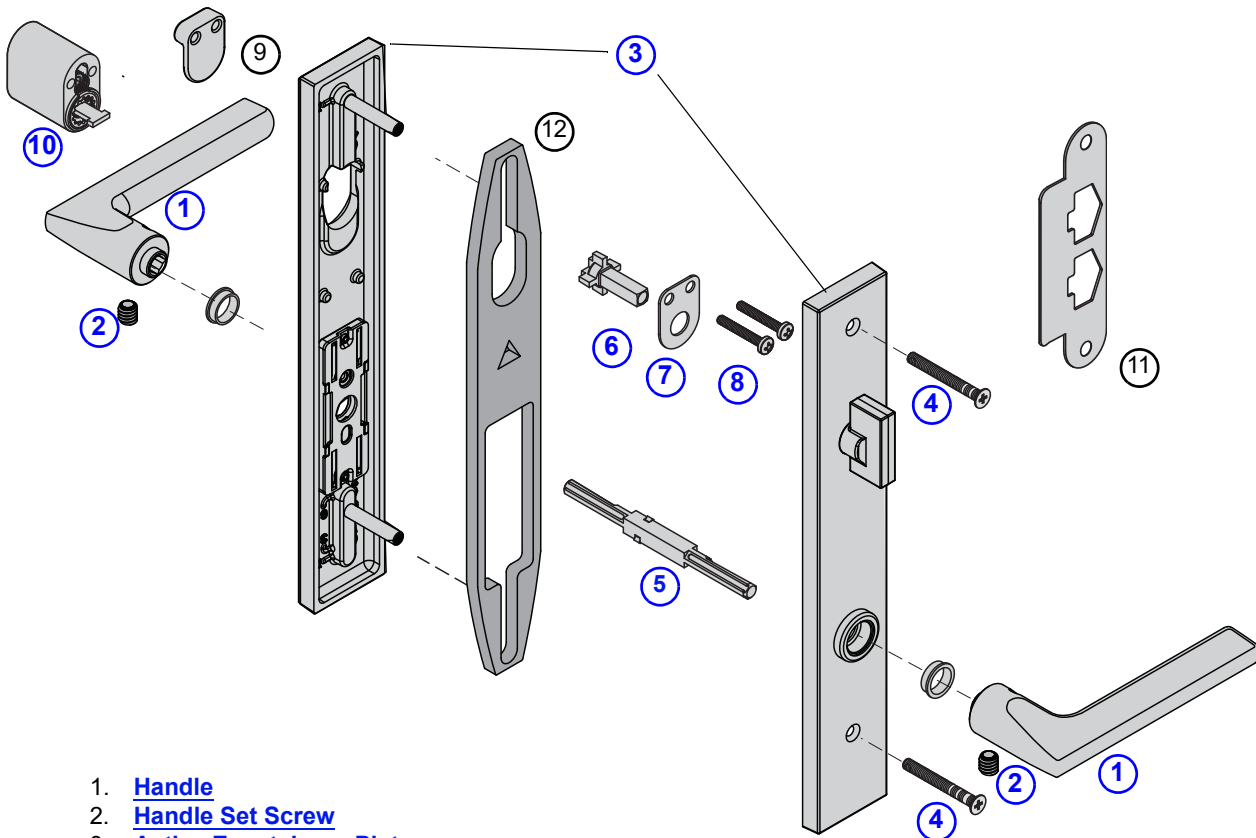
#### Baldwin® Designer Hardware - Active

**Note:**

See [Accessory Guide 9208753](#). 5162 handle style shown.

Escutcheon plate routed for keyed lock but does not include keyed lock. [Keyed lock](#) sold separately.

#### Baldwin® Trim Set Assembly



1. [Handle](#)
2. [Handle Set Screw](#)
3. [Active Escutcheon Plate](#)
4. [Escutcheon Plate Screw](#)
5. [Spindle](#)
6. [Lock Actuator](#)
7. [Lock Limiting Plate](#)
8. [Key Cylinder Mounting Bolts](#)
9. Screw Retainer used with Non-Keyed Sets
10. [Used with Keyed Lock Sets](#)
11. Strike Plate (Not Needed on Outswing doors)
12. Escutcheon Gasket (Same on Active and Passive)

#### Baldwin® Hinged Patio Door Hardware - Single Active Trim Set

# A-Series Outswing Doors (2008 to Present)

Single Panel, 2-Panel, and Stationary Panel

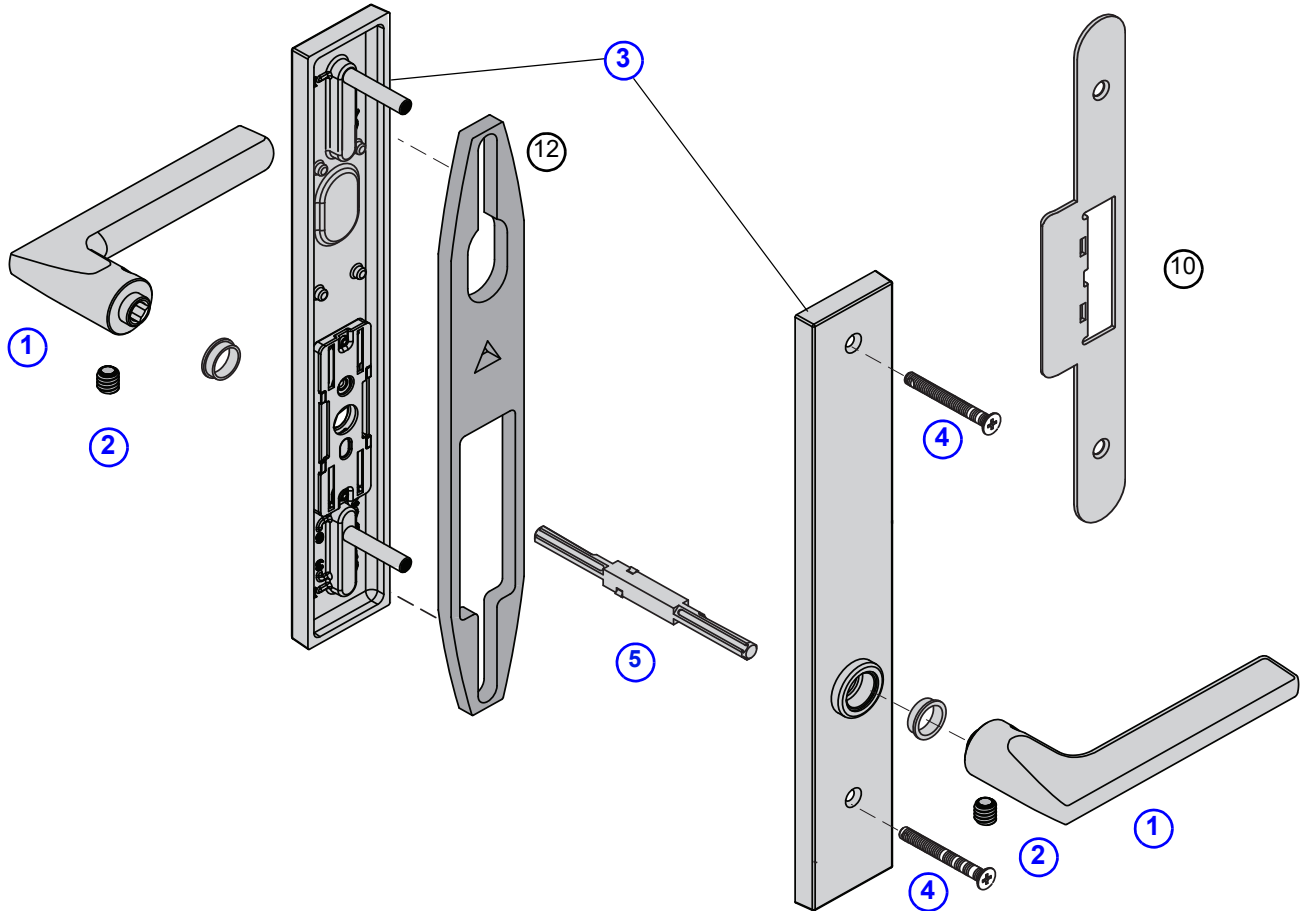
## Hardware

### Baldwin® Designer Hardware - Passive

**Note:**

Additional parts with Double Hardware Set. See [Accessory Guide 9208753](#). 5162 handle style shown.

#### Baldwin® Trim Set Assembly



1. [Handle](#)
2. [Handle Set Screw](#)
3. [Passive Escutcheon Plate](#)
4. [Escutcheon Plate Screw](#)
5. [Spindle](#)
10. Strike Plate (Not Needed on Outswing Doors)
12. Escutcheon Gasket (Same on Active and Passive)


### Baldwin® Hinged Patio Door Hardware - Double Passive Trim Set

#### Complete Trim Sets - Baldwin® / Interior and Exterior


**Note:**

Active and Passive Trim Sets are configured to order.


## Hardware

Handle with Screws - Baldwin® L021 Ref. No. 1 on <a href="#">page 86</a>				
		Finish	Left	Right
		Non-Lacquered Brass	9208359	9208395
		Oil Rubbed Bronze	9208361	9208391
		Satin Black	9208357	9208387
		Satin Brass	9208358	9208388
		Satin Nickel	9208358	9208388


  

Handle with Screws - Baldwin® L023 Ref. No. 1 <a href="#">page 86</a>				
		Finish	Left	Right
		Non-Lacquered Brass	9208360	9208390
		Oil Rubbed Bronze	9208366	9208396
		Satin Black	9208362	9208392
		Satin Brass	9208364	9208394
		Satin Nickel	9208363	9208393


  

Handle with Screws - Baldwin® 5162 Ref. No. 1 <a href="#">page 86</a>				
		Finish	Left	Right
		Non-Lacquered Brass	9208355	9208385
		Oil Rubbed Bronze	9208356	9208388
		Satin Black	9208352	9208382
		Satin Brass	9208354	9208384
		Satin Nickel	9208353	9208383

Handle with Screws - Baldwin® 5173 Ref. No. 1 <a href="#">page 86</a>				
		Finish	Left	Right
		Non-Lacquered Brass	9208380	9208410
		Oil Rubbed Bronze	9208381	9208411
		Satin Black	9208377	9208407
		Satin Brass	9208379	9208409
		Satin Nickel	9208378	9208408


Handle with Screws - Baldwin® 455V Ref. No. 1 <a href="#">page 86</a>				
		Finish	Left	Right
		Non-Lacquered Brass	9208375	9208405
		Oil Rubbed Bronze	9208376	9208406
		Satin Black	9208372	9208402
		Satin Brass	9208374	9208404
		Satin Nickel	9208373	9208403



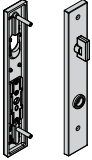
# A-Series Outswing Doors (2008 to Present)

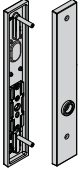
Single Panel, 2-Panel, and Stationary Panel

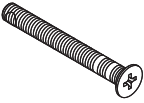
## Hardware

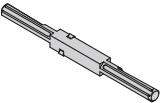
Handle with Screws - Baldwin® 5485V Ref. No. 1 <a href="#">page 86</a>			
	Finish	Left	Right
	Non-Lacquered Brass	9208370	9208400
	Oil Rubbed Bronze	9208371	9208401
	Satin Black	9208367	9208397
	Satin Brass	9208369	9208399
	Satin Nickel	9208368	9208398

Set Screw package w/Wrench - Handle Ref. No. 2 <a href="#">page 86</a>	
<b>Note:</b> 1 - M5 X 8MM knurl cup point set screw	<b>Order No.</b> 9207269

Plate, Escutcheon Active - Baldwin® Ref. No. 3 <a href="#">page 86</a>			
<b>Note:</b> Baldwin escutcheon plates are sold as pairs both interior and exterior.			
	Finish	Keyed Lock	Non-Keyed
	Non-Lacquered Brass	9208340	9208345
	Oil Rubbed Bronze	9208341	9208346
	Satin Black	9208337	9208342
	Satin Brass	9208339	9208344
	Satin Nickel	9208338	9208343

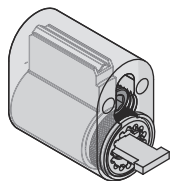
Plate, Escutcheon Passive - Baldwin® Ref. No. 3 <a href="#">page 87</a>			
	<b>Note:</b> Baldwin escutcheon plates are sold as pairs both interior and exterior.	Finish	Part No.
		Non-Lacquered Brass	9208350
		Oil Rubbed Bronze	9208351
		Satin Black	9208347
		Satin Brass	9208349
		Satin Nickel	9208348

Screw Package - Escutcheon Screw Kits - Baldwin® Ref. No. 5 <a href="#">page 86</a>			
	<b>Note:</b> Screw pack contains:(4) Screws, #8-32 UNC	Finish	Order No.
		Non-Lacquered Brass	9207265
		Oil Rubbed Bronze	9207264
		Satin Black	9207264
		Satin Brass	9207262
		Satin Nickel	9207263

Spindle, Baldwin Hardware Ref. No. 5 <a href="#">page 86</a>		
<b>Note:</b> Baldwin only offers one length of spindle for both 1.75" and 2.25" doors.		
	Length	Order No.
	4 1/2"	9207268

## Hardware

### Keyed Lock - Baldwin® Ref. No. 10 [page 86](#)



**Note:**  
Baldwin can only be keyed alike to Baldwin locks.

Finish	Order No.
Non-Lacquered Brass	9207266
Oil Rubbed Bronze	9207266
Satin Black	9207266
Satin Brass	9207266
Satin Nickel	9207267

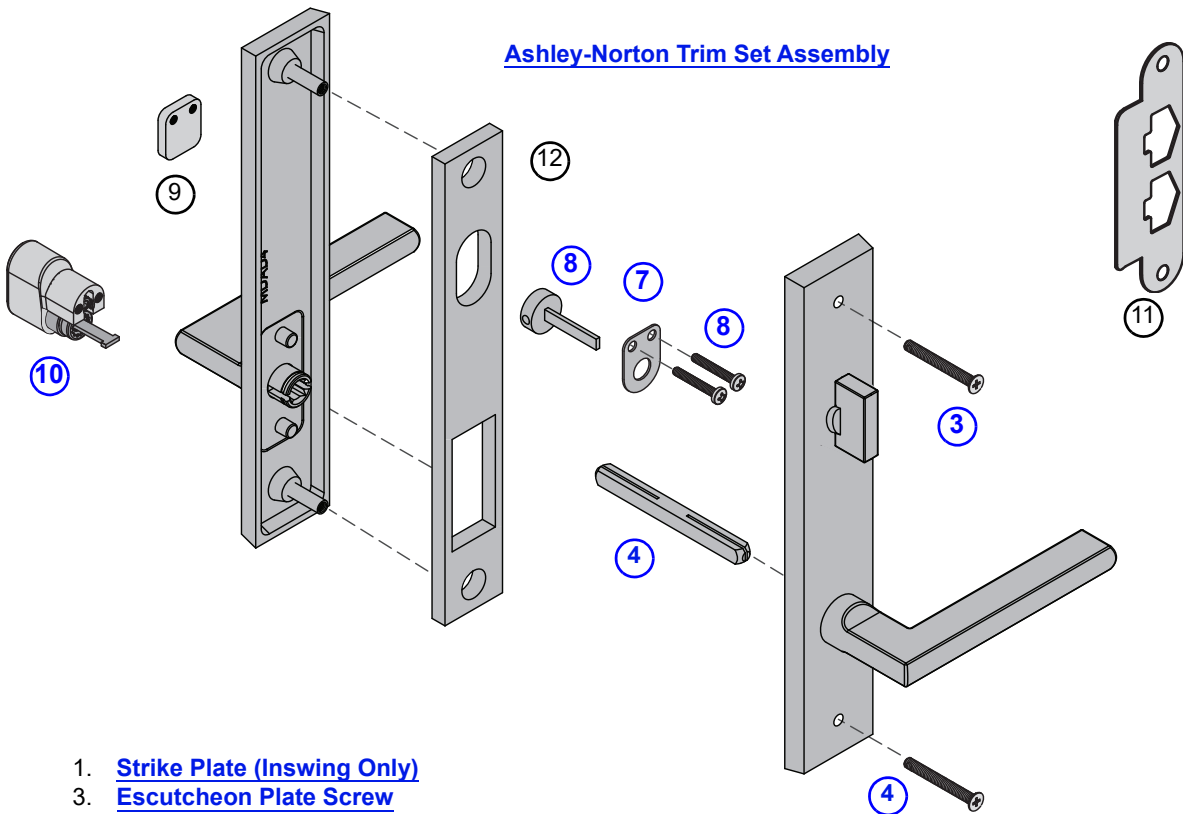
### Designer Hardware - Ashley Norton

#### Ashley Norton Designer Hardware - Active

**Note:**

See [Accessory Guide 9208751](#).

Escutcheon plate routed for keyed lock but does not include keyed lock. [Keyed lock](#) sold separately.



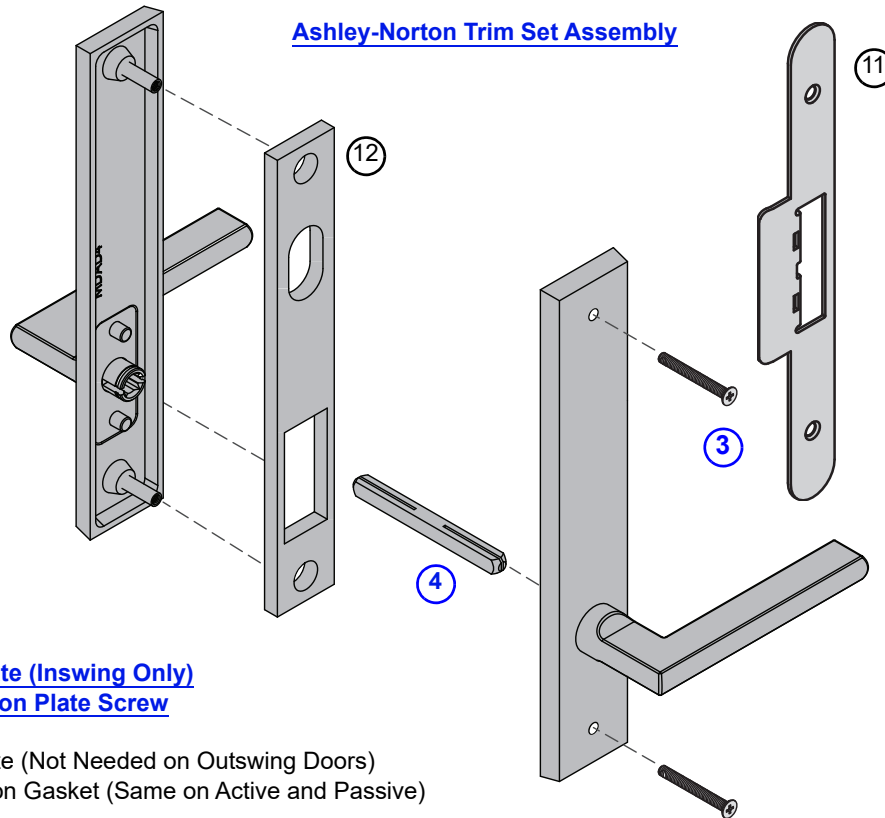
1. [Strike Plate \(Inswing Only\)](#)
3. [Escutcheon Plate Screw](#)
4. [Spindle](#)
6. [Key Cylinder Mounting Bolts](#)
7. [Lock Limiting Plate](#)
8. [Lock Actuator](#)
9. Screw Retainer - Used on Non-Keyed Lock Sets
10. [Keyed Lock - Used on Keyed Lock Sets](#)
11. Strike Plate (Not Needed on Outswing Doors)
12. Escutcheon Gasket (Same on Active and Passive)

#### Hinged Patio Door Hardware - Single Active Trim Set

## Hardware

### Ashley Norton Hardware - Passive

**Note: Additional parts with Double Hardware Set**



### Hinged Patio Door Hardware - Double Passive Trim Set

#### Complete Trim Set - Ashley Norton / Interior and Exterior

**Note:**

Active and Passive Trim Sets are configured to order.

#### Handle with Screws - Ashley Norton [page 91](#)

**Note:**

Handles and escutcheon plate are permanently attached to together. Parts are only available in the complete trim set.

#### Plate, Escutcheon Active and Passive - Ashley Norton [page 91](#)

**Note:**

Escutcheon plate and handles are permanently attached to together. Parts only available in the complete trim set.

# A-Series Outswing Doors (2008 to Present)

Single Panel, 2-Panel, and Stationary Panel

## Hardware

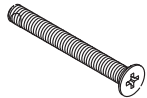
### Screw Package - Escutcheon Screw Kits / Ashley-Norton Ref. No. 3 [page 91](#)

**Note:**

Ashley Norton screw pack contains:

(4) Screws, #8-32 UNC X 2.75"

(4) Screws, #8-32 UNC X 2.25"

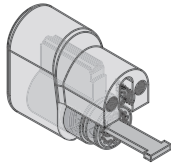


Finish	Order No.
Dark Bronze	9207255
Dark Oil Rubbed	9207255
Flat Black	9207255
Matte Black	9207255
Natural Bronze	9207252
Polished Chrome	9207253
Polished Nickel	9207254
Satin Nickel	9207251
White Bronze	9207251
White Medium	9207256

### Keyed Lock - Ashley-Norton Ref. No. 3 [page 91](#)

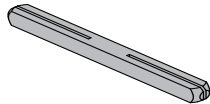
**Note:**

Ashley-Norton can only be keyed alike to Ashley-Norton locks.



Finish	Order No.
Dark Bronze	9207257
Dark Oil Rubbed	9207257
Flat Black	9207257
Matte Black	9207257
Natural Bronze	9207258
Polished Chrome	9207259
Polished Nickel	9207259
Satin Nickel	9207259
White Bronze	9207259
White Medium	9207259

### Replacement Parts Kit / Ashley Norton (For "standard" 1 3/4" door) Ref. No. 4, 6, 7 and 8 [page 91](#)



**Note:** Ashley style hardware uses unique spindle and available in the part kit.

**Kit Includes:**

- (1) Spindle 95 MM
- (1) Lock Actuator
- (1) Allen Wrench
- (4) Screws M4 x 8mm Knurl Cup Pt
- (2) Screws M4 X .8-30mm PH W/19 Fill Hd Mach Zinc
- (1) Limiting Plate Thick
- (1) Limiting Plate Thin

**Order No.**

9207260

## Hardware

Hardware Screw Pack / Ashley Norton (for "standard" 1 3/4" door)		
	<b>Kit Includes:</b> (1) Spindle 95 MM (1) Lock Actuator (1) Allen Wrench (4) Screws M4 x 8mm Knurl Cup Pt (2) Screws M4 X .8-30mm PH W/19 Fill Hd Mach Zinc (1) Limiting Plate Thick (1) Limiting Plate Thin	<b>Order No.</b>
		9207260
Hardware Screw Pack / Ashley Norton - 2 1/4" thick panel		
	<b>Kit Includes:</b> (1) Spindle 108 mm (1) Lock Actuator 28mm	<b>Order No.</b>
		9207261

# A-Series Outswing Doors (2008 to Present)

Single Panel, 2-Panel, and Stationary Panel

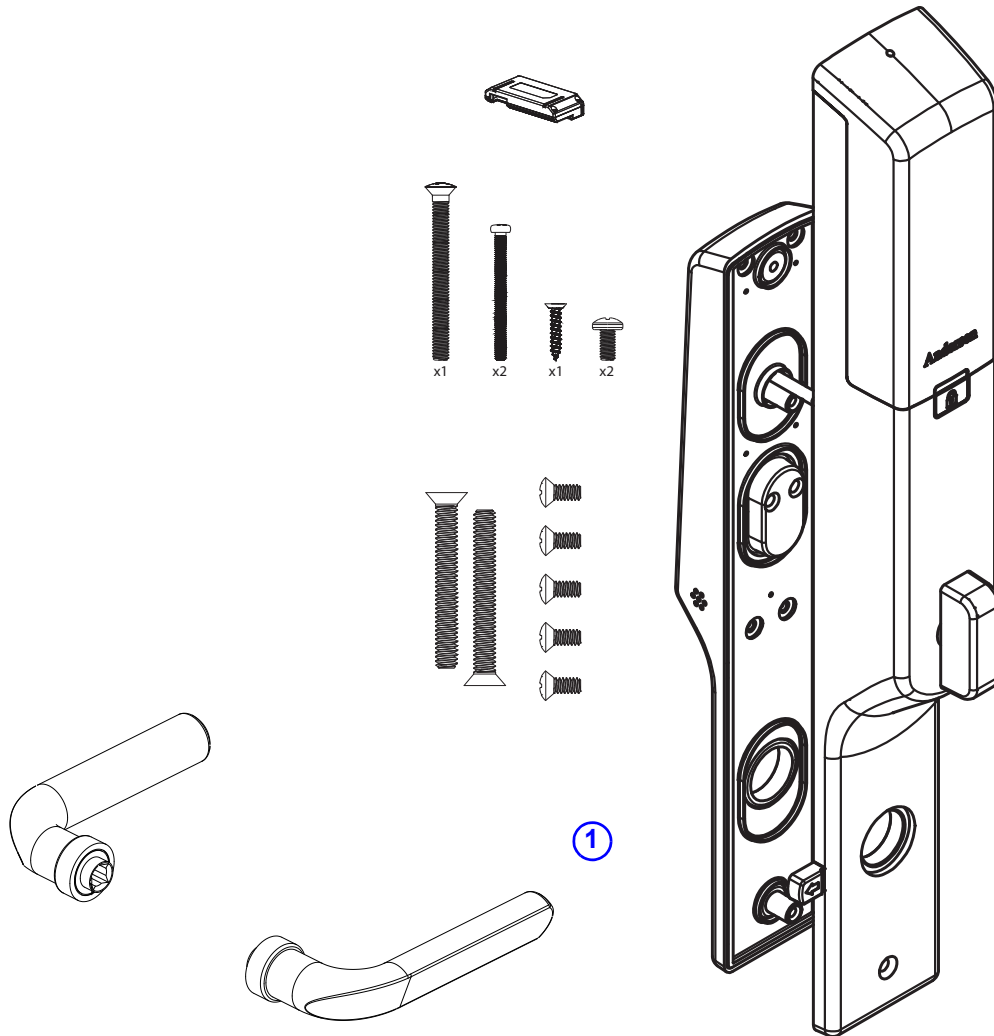
## Hardware

### Yale® Assure Lock®

#### Yale® Assure Lock® Hardware - Interior / Exterior

**Note:**

See [Accessory Guide](#) and [FAQ](#). Can be used on new doors as well as retro-fitted on installed doors.



1. [Assure Lock Trim Set Assembly](#)

Yale® Assure Lock® (YRM 476) Hinged Patio Door Hardware - Active Single Trim Set

## Hardware

### Trim Set - Assure Lock / Anvers® See Illustration [page 95](#)

**Note:**

To order replacement components not part numbered see [Replacement Components](#) on Yale site. See [FAQ](#).

	Finish	Base	Z-Wave	Wi-Fi/Bluetooth
	Satin Nickel	9183848	9173096	9183851
	White	9183846	9173094	9183849
	Black	9183847	9173095	9183850





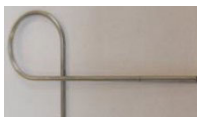

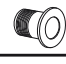
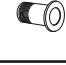
### Trim Set - Passive / Anvers See Illustration [page 58](#)

	Finish	Order No.
	Satin Nickel	9173105
	White	9173103
	Black	9173104

### Hardware Kit - Yale Assure - Anvers® Spacer Kit

**Note:**

See [Accessory Guide](#).

		Order No.
		9203397
 <p>①</p>  <p>②</p>  <p>③</p>  <p>④*</p>  <p>⑤</p>		
<b>Ref. No.</b>	<b>Kit Includes</b>	
1	Door position sensor	
2	Lock mounting screws	
3	Sensor magnets and covers	
4*	Lock actuator spacers	
5	Battery cover release pin	
<p>*A spacer may be required to correctly install lock. There are three (3) options in your lock kit. See chart to select the correct spacer for your application.</p>		
<b>Door Type</b>	<b>Spacer Color</b>	<b>Spacer</b>
A-Series - Outswing Only	N/A	None
A-Series Inswing. E-Series 1.75" In and Outswing E-Series 2.25" Inswing 400 Series 1.75" Inswing	Black	
200 Series 1.75" All E-Series - 2.25" Outswing Only	White	
E-Series - Architect Entrance Door and Folding Doors Sold Separately. (Provided when ordering thick door kit part number AYRM-270-TDK.)	Gray	

### Radio - Module See Illustration [page 95](#)

	Z-Wave (Green)	Wi-Fi/Bluetooth (White)
	9183852	9183853

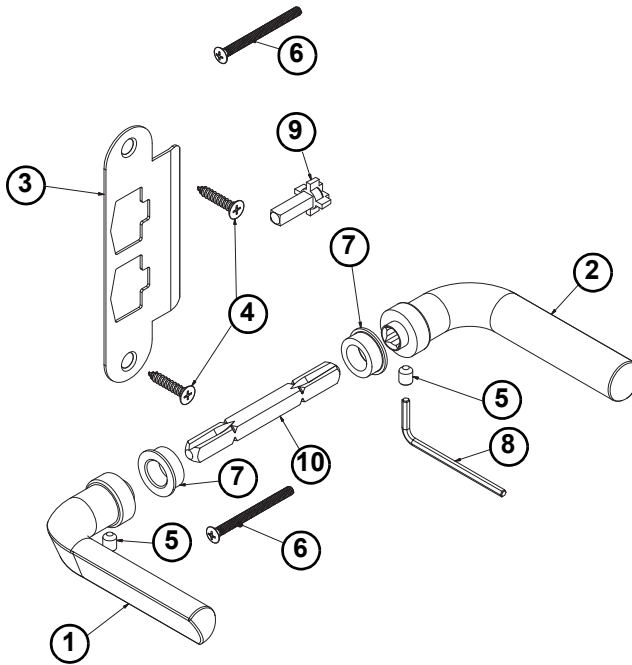


# A-Series Outswing Doors (2008 to Present)

Single Panel, 2-Panel, and Stationary Panel

## Hardware

### Assure Lock Handle Set - Single / Anvers



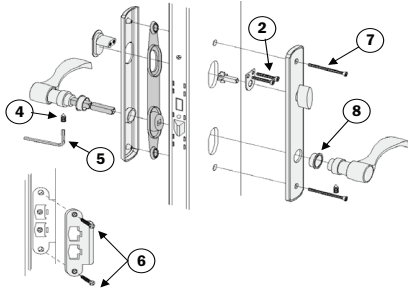
Ref. No.	Package Includes
1	Handle (RH shown)
2	Handle (LH shown)
3	Strike Plate - Single
4	Strike Plate Screws
5	Handle Set Screw
6	Escutcheon Plate Screw
7	Bushing
8	Allen Wrench
9	Lock Actuator
10	Spindle

Finish	Order No.
Satin Nickel	9173108
White	9173106
Black	9173107

## Hardware

### Andersen® Shared Andersen® Trim Set Parts

#### Screw Package - Trim Set / Andersen Hardware (2009 to Present)



Ref. No.	Andersen Package Includes
6	2 - screw, #10 - 13 x 1" PH FL undercut wood
7	4 - screw, #8 - 32 UNC x 2 PH oval head mach
2	2 - screw, M5 x .8 - 35mm PH w/#10 fill HD mach zinc
8	4 - bushing, trim adaptor
4	4 - screw, 1/4 - 20 UNC SS knurled cup point set
5	1 - 1/8 allen wrench

**Note:**

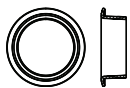
- Chrome used for Brushed Chrome and Polished Chrome finishes.
- To receive a white bushing order a Satin Nickel trim set screw pack.
- To receive a black bushing order an Oil Rubbed Bronze trim set screw pack.
- Albany style introduced in 2009.

Finish	Andersen
Antique Brass	2579757
Black (Albany)9	9019320
Bright Brass	2579756
Chrome	N/A
Distressed Bronze	2579760
Distressed Nickel	2573819
Gold Dust (Albany)	N/A
Oil Rubbed Bronze	2579760
Satin Nickel	2579390
Stone (Albany)	9056230
White (Albany)	9056231

#### Bushing

**Note:**

Tribeca® handles manufactured prior to November 2020 have unique bushing [page 56](#). White and black bushings available as part of the trim set screw package [page 98](#). White to use Bright Chrome trim set screw pack and black to use Oil Rubbed Bronze trim set screw pack.

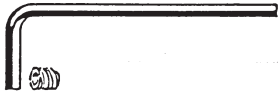


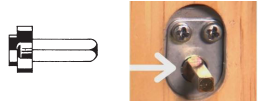
Color	Order No.
White	N/A
Black	N/A

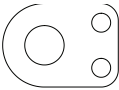
# A-Series Outswing Doors (2008 to Present)

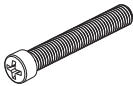
Single Panel, 2-Panel, and Stationary Panel

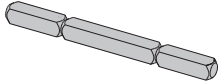
## Hardware

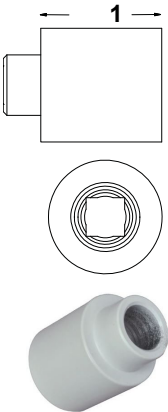
Set Screw Package w/wrench Handle - Andersen® Hardware		
	<b>Andersen Package Includes:</b> 4 - 1/4-20 UNC knurled cup point set screws 1 - 1/8 Allen wrench <b>Note: Replacement set screw finish may not match original.</b> Set Screw Package is included in trim set hardware pack <a href="#">page 98</a> .	<b>Order No.</b>
		2579829

Lock Actuator		
		<b>Order No.</b>
		2579542

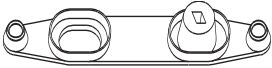
Lock Limiting Plate with Tab		
		<b>Order No.</b>
		2579540

Key Cylinder Mounting Bolt		
	<b>Description</b>	<b>Order No.</b>
	Qty 2 - M5 x .8-35mm, PH with #10 fill HD, mach, zinc <b>Note:</b> Key cylinder mounting bolt is included in trim set hardware pack <a href="#">page 98</a> .	2579824

Spindle - Andersen Hardware			
		<b>Length</b>	<b>Order No.</b>
		3 3/4	2579830
		4 3/4	2579831
		5 3/4	2579832

Handle Extender - 1"		
<b>Note:</b> See <a href="#">Installation Video</a> .		
	<b>Finish</b>	<b>Order No.</b>
	Stone	2579851
	White	2579838
	Antique Brass	2579820
	Bright Brass	2579821
	Polished Chrome	2579819
	Brushed Chrome	2579908
	Satin Nickel	2579440
	Oil Rubbed Bronze	2579907
	Distressed Bronze	2573787
	Distressed Nickel	2573788
	Gold Dust	N/A
Black	9007633	

## Hardware

Gasket - Trim Set / Other Hardware Styles		
	<p><b>Note:</b> Use for all trim set styles except Tribeca®.</p>	<p><b>Order No.</b> 2962512</p>

# A-Series Outswing Doors (2008 to Present)

Single Panel, 2-Panel, and Stationary Panel



## Hardware

### Andersen® Shared Andersen® Key Lock Parts





#### Keyed Lock - Andersen®

**Note:**

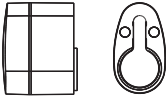
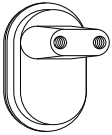
See [Accessory Guide 0005155](#). Parts included: lock spacer, tail piece seal, spacer gasket, seal, key cylinder, housing, and key. Keyed alike assembly only available in quantities of two or more. FSB® stainless steel finish hardware uses satin nickel finish.


 <p><b>Tribeca®</b></p>  <p><b>All Other Andersen® Styles</b></p>	<b>Finish</b>	<b>Keyed Assembly</b>	<b>Keyed Alike Assembly</b>
	Stone (Tribeca®)	2579722	9056143
	Stone (Albany)	9007621	9056142
	White (Tribeca®)	2579721	9056145
	White (Albany)	9007620	9056144
	Antique Brass	2579519	9056133
	Bright Brass	2579499	9056135
	Polished Chrome	2579596	9056140
	Brushed Chrome	2579753	9056136
	Satin Nickel/FSB®	2579457	9056141
	Oil Rubbed Bronze/	2579752	9056139
	Distressed Bronze	2579752	9056139
	Distressed Nickel	2573827	9056137
	Gold Dust	N/A	9056138
Black (Albany)	9007623	9056134	
Black (Tribeca®)	9184683	9184692	

#### Lock Cylinder with Keys

  <p>Bright Brass</p>  <p>Chrome</p>  <p>Oil Rubbed Bronze</p>	<b>Note:</b> Lock cylinders are available in three finishes: Bright Brass, Chrome and Oil Rubbed Bronze. The table to the right shows the recommended selection for each trim set finish.	<b>Finish</b>	<b>Order No.</b>
	Stone (Tribeca®)	2579641	
	Stone (Albany)	2579641	
	White (Tribeca®)	2579641	
	White (Albany)	2579641	
	Antique Brass	2579637	
	Bright Brass	2579637	
	Polished Chrome	2579641	
	Brushed Chrome	2579641	
	Satin Nickel	2579641	
	Oil Rubbed Bronze	2579389	
	Distressed Bronze	2579389	
	Distressed Nickel	2579641	
	Gold Dust	2579641	
Black	2579389		

## Hardware

Lock Set Dummy Cylinder		Finish	Order No.
 <p><b>Tribeca®</b></p>  <p><b>All Other Andersen® Styles</b></p>	<p><b>Note:</b> Old style and current vintage cylinders are interchangeable.</p> <p>* 060 Antique Brass finish was offered for sale from 1/99 to 7/99. The finish is commonly referred to as "chocolate brown."</p>	Stone (Tribeca®)	2579860
		Stone (Albany)	9056226
		White (Tribeca®)	2579847
		White (Albany)	2579847
		Antique Brass	2579581
		Bright Brass	2579621
		Polished Chrome	2579582
		Brushed Chrome	N/A
		Satin Nickel	2579438
		Oil Rubbed Bronze	2579963
		Distressed Bronze	2573781
		Distressed Nickel	2573782
		Gold Dust	N/A
		Black	9056229

Blank Reachout Lock Key		Order No.
	<p><b>Note:</b> Six pin key blank</p>	Order No.
		2573561

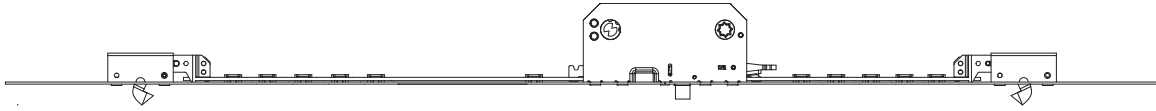
# A-Series Outswing Doors (2008 to Present)

Single Panel, 2-Panel, and Stationary Panel

## Hardware

### Lock Mechanism - Active

#### Lock Mechanism - 3-point / Active



**Note:**

Label on face of existing lock will have orange/red graphics.

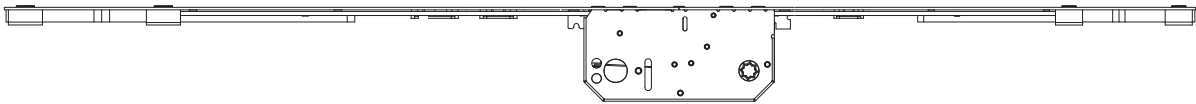
See [Service Guide 0005233](#).

\*"Custom" length (68 1/2, 69 1/2, 69 3/4 and 610) part numbers introduced in February 2022

Unit No.	Length	Order No.
<b>FWHID68</b>	76 <sup>7</sup> / <sub>16</sub>	9014687
*FWHID68 1/2	76 <sup>15</sup> / <sub>16</sub>	9195164
*FWHID69 1/2	77 <sup>15</sup> / <sub>16</sub>	9192844
*FWHID69 3/4	78 <sup>11</sup> / <sub>64</sub>	9195163
*FWHID610	78 <sup>13</sup> / <sub>32</sub>	9192843
<b>FWHID611</b>	79 <sup>5</sup> / <sub>16</sub>	9014688
<b>FWHID76</b>	86 <sup>7</sup> / <sub>16</sub>	By Description
<b>FWHID80</b>	92 <sup>7</sup> / <sub>16</sub>	9014689

### Lock Mechanism - Passive

#### Lock Mechanism - Passive



**Note:**

See [Service Guide 0005233](#).

\*"Custom" length (69 1/2, 69 3/4 and 610) part numbers introduced in February 2022.

Unit No.	Length	Order No.
<b>FWHID68</b>	76 <sup>7</sup> / <sub>16</sub>	2579777
*FWHID69 1/2	77 <sup>15</sup> / <sub>16</sub>	9192837
*FWHID69 3/4	78 <sup>3</sup> / <sub>16</sub>	9192838
*FWHID610	78 <sup>7</sup> / <sub>16</sub>	9192836
<b>FWHID611</b>	79 <sup>5</sup> / <sub>16</sub>	2579778
<b>FWHID76</b>	86 <sup>7</sup> / <sub>16</sub>	2578191
<b>FWHID80</b>	92 <sup>7</sup> / <sub>16</sub>	2579779

### Screw - Lock Mechanism /Stainless Steel

**Note:**

68 and 611 doors use 13 screw: 80 doors use 14 screws.

**Order No.**

2579415

## Hardware

### Lock Mechanism - Active / High Corrosion Resistant

Note: Edge of the door will have a clear 4 5/8 x 3/4 label. 6 Point lock typically used on AP/PA units.



### Lock Mechanism - 3-point / Active/ High Corrosion Resistant

	Unit No.	Length	Order No.
	FWOD68	76 7/16	9055463
	FWOD611	79 5/16	9055464
	FWOD76	86 7/16	OBD
FWOD80	92 7/16	9055465	

### Lock Mechanism Base - 4-point / Active / High Corrosion Resistant

	Unit No.	Length	Order No.
	FWHID100	79 9/32	9132300

### Lock Mechanism Base - 6-point / Active / High Corrosion Resistant

	Unit No.	Length	Order No.
	FWD100	79 9/32	9132301

### Lock Mechanism Extension - 4-point / Active / High Corrosion Resistant

	Unit No.	Length	LH	RH
	FWD86	19 1/8	9138901	9138902
	FWD90	25 1/8	9132310	9132311
	FWD96	31 1/8	9138906	9138907
FWD100	37 1/8	9132305	9132306	

### Lock Mechanism Extension - 6-point / Active / High Corrosion Resistant

	Unit No.	Length	LH	RH
	FWD86	19 1/8	9138899	9138900
	FWD90	25 1/8	9132308	9132309
	FWD96	31 1/8	9138904	9138905
FWD100	37 1/8	9132303	9132304	



# A-Series Outswing Doors (2008 to Present)

Single Panel, 2-Panel, and Stationary Panel

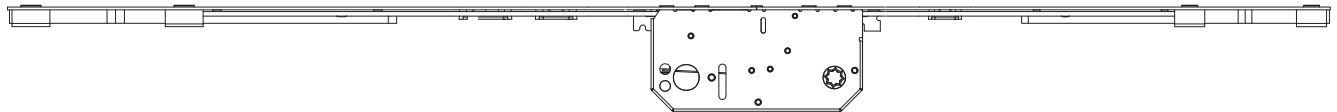
## Hardware

### Lock Mechanism - Passive / High Corrosion Resistant

**Note:** Edge of the door will have a clear 4 5/8 x 3/4 label.

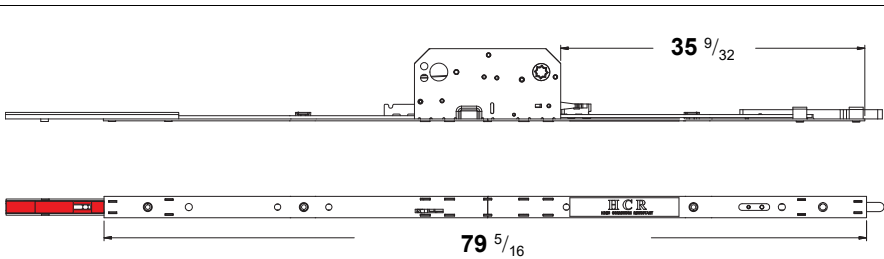


### Lock Mechanism - Passive / High Corrosion Resistant



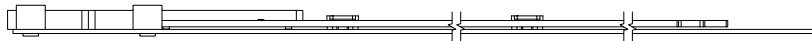
Unit No.	Length	Order No.
FWD68	76 7/16	9055469
FWD611	79 5/16	9055470
FWD76	86 7/16	OBD
FWD80	92 7/16	9055471

### Lock Mechanism Base - Passive / High Corrosion Resistant



Unit No.	Length	Order No.
FWD100	79 5/16	9132302

### Lock Mechanism Extension - Passive / High Corrosion Resistant



Unit No.	Length	Order No.
FWD86	19 1/8	9138898
FWD90	25 1/8	9132312
FWD96	31 1/8	9138903
FWD100	37 1/8	9132307

## Hardware

### Lock Mechanism - Component Illustration / High Corrosion Resistant

**Note:** Edge of the door will have a clear 4 5/8 x 3/4 label. 6 Point lock typically used on AP/PA units.

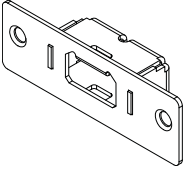

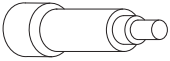

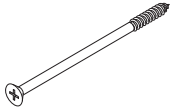
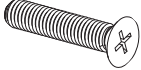


ACTIVE		PASSIVE
<p><u>4 Point Upper Extension</u></p>	<p><u>6 Point Upper Extension</u></p>	<p><u>Upper Extension</u></p>
<p><u>4 Point Base</u></p> <p>79 <sup>9</sup>/<sub>32</sub></p> <p>35 <sup>9</sup>/<sub>32</sub></p>	<p><u>6 Point Base</u></p> <p>79 <sup>9</sup>/<sub>32</sub></p> <p>35 <sup>9</sup>/<sub>32</sub></p>	<p><u>Base</u></p> <p>79 <sup>5</sup>/<sub>16</sub></p> <p>35 <sup>9</sup>/<sub>32</sub></p>

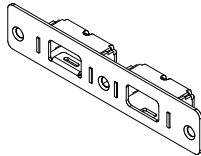
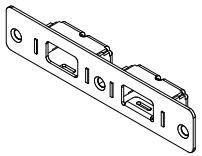
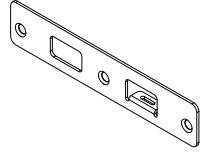
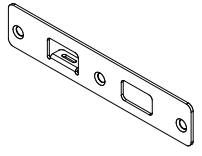
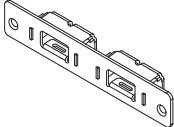

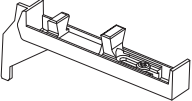
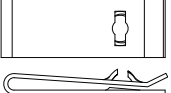
# A-Series Outswing Doors (2008 to Present)

Single Panel, 2-Panel, and Stationary Panel

## Hardware

Hook Bolt Parts		
Hook Bolt Receiver with Screws / Single		
		<b>Single</b>
		2579790
Hook Bolt Receiver / AP		
	<b>Note:</b> Secure with 10 -12 x 3 1/2" panhead stainless steel screw typ A, 2579414.	<b>AP/PA</b>
		2579764
Hook Bolt Blocker		
	<b>Note:</b> Used on AP/PA units.	<b>Order No.</b>
		2579786
Nut		
	<b>Note:</b> Used on AP/PA units.	<b>Order No.</b>
		By description
Screw		
	<b>Description:</b> 10 -12 x 3 1/2" panhead stainless steel screw typ A	<b>Order No.</b>
		2579414
Screw		
	<b>Description:</b> M5 x 25MM Phillips Flat Head Machine screw	<b>Order No.</b>
		By description

## Hardware

Flush Bolt Parts		
Flush Bolt Receiver		
		
	<b>Head AP</b> 9001703	<b>Head PA</b> 9001702
		
	<b>Sill AP</b> 9001701	<b>Sill PA</b> 9001700
Latch Bolt Parts		
Latch Bolt Receiver with Blocker		
		
	<b>Single</b> 2579791	<b>AP/PA w/Blocker</b> 2579787
Latch Blocker		
		<b>Order No.</b> 2579402
U Clip (March 2003 to Present)		
	<b>Note:</b> Used on AP/PA latch bolt receiver.	<b>Order No.</b> 2579427

# A-Series Outswing Doors (2008 to Present)

Single Panel, 2-Panel, and Stationary Panel

## Hardware

### Hinge Parts


**Note:**

The hinge receiver is not a replaceable part. If hinge receiver replacement is needed you will need to replace the entire panel. See [Service Guide 0005226](#).

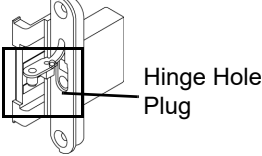

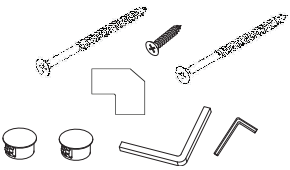
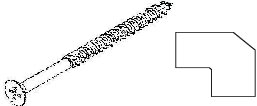
#### Leaf Hinge - Adjustable

	<p><b>Note:</b> Hinge leaf screws not included with hinge leaf shown further below.</p>		<b>Finish</b>	<b>Color</b>	<b>Left</b>	<b>Right</b>
				White	2573336	2573335
				Terratone®	2668526	2668525
				Sandtone	0924518	0924517
				Forest Green	1269103	1269102
				Canvas	9001712	9001706
				Prairie Grass	9001717	9001711
				Cocoa Bean	9001715	9001709
				Dove Gray	9001716	9001710
				Red Rock	9001713	9001707
				Black	9001714	9001708
				Dark Bronze	9021384	9021383
		Corrosion Resistant	Stainless Steel	9055484	9055483	
	Black	9185332	9185331			

#### Screw - Leaf Hinge

	<p><b>Description</b> 10-24 x 1/2 PH flat 118 - 8SS</p> <p><b>Note:</b> Quantity of four used per hinge leaf. *Black screw used for non-corrosion resistant and corrosion resistant hinges.</p>		<b>Finish</b>	<b>Color</b>	<b>Order No.</b>
				White	2573331
				Terratone®	2668524
				Sandtone	0924516
				Forest Green	1269056
				Canvas	9001718
				Prairie Grass	9001723
				Cocoa Bean	9001721
				Dove Gray	9001722
				Red Rock	9001719
				Black*	9001720
				Dark Bronze	9021394
		Corrosion Resistant	Stainless Steel	9055485	
	Black*	9001720			

## Hardware

Plug - Hinge Hole		
 <p>Hinge Hole Plug</p>		<b>Gray</b> 2579988
Hex Adjuster Wrench		
	<b>Kit includes:</b> Hex wrench, installation and hinge <a href="#">Service Guide 0005226</a> .	<b>Order No.</b> 2579045
Installation Kit - Single and Double		
	<b>Kit Includes:</b> (2) Corner Gasket (1) Allen Wrench (1) Temporary Lock Handle (3) Cover Plugs (Bronze) (3) Cover Plugs (Sandtone) (3) 1" x #10 Stainless Steel Screws (8) 3" x #10 Stainless Steel Screws (26) 3" x #10 Installation Screws	<b>Order No.</b> 9013225
Installation Kit - Single Stationary		
	<b>Kit Includes:</b> (2) Corner Gasket (11) 3" x #10 Installation Screws	<b>Order No.</b> 9013224

# A-Series Outswing Doors (2008 to Present)

Single Panel, 2-Panel, and Stationary Panel

## Hardware

### Fasteners

**Note:**

Look for additional screws listed with the part where the screw is used.

When ordering fasteners by description, provide the following details:

Product line (example: FWOD)

Complete size (example: #6 Flat Head)

Description and color (example: Stainless Steel)

What it is used for: (example: Astragal End Cap)

Reference the 888 number: 888284414

#### Screw - SAS Units Insect Screen / Bumper to Sill / Stainless Steel

	Size	Head	Order No.
	#8	Flat head	888284412

#### Screw - SAS Units Insect Screen / Bumper to Head Jamb / Stainless Steel

	Size	Head	Order No.
	#8	Flat head	888284413

#### Screw - Astragal End Cap (AP/PA) / Stainless Steel

	Size	Head	Order No.
	#6	Flat head	888284414

#### Screw - Astragal End to Passive Panel (AP/PA) / Zinc Dichromate

	Size	Head	Order No.
	#10	Flat head	888284415

#### Screw - Operating Bottom Rail Filler / Steel

	Size	Head	Order No.
	#8	Flat head	1361962

#### Screw - Sash Laminate Kit / Steel

	Size	Head	Order No.
	#8	Flat head	888284419

#### Screw - Subassembly / Steel

	Size	Head	Order No.
	#10	Flat head	888284420

#### Screw

	Description	Order No.
	10-12 x 1 TYP 17 PH FL 18-8 SS	2579413

#### Screw

	Description	Order No.
	10-12 x 3 TYP 17 PH FH	2579759

#### Screw

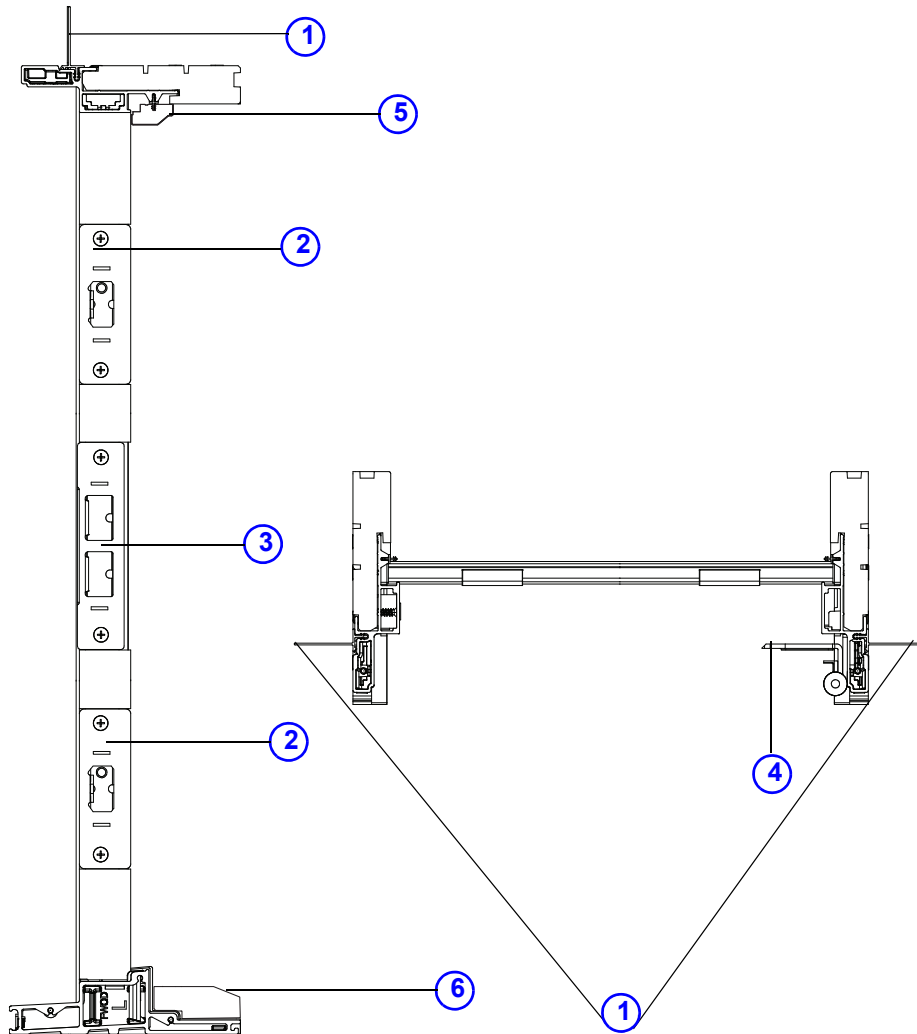
	Description	Order No.
	8-15 x 1 1/2 TYP 17 PH FL 18-8 SS	2579418

## Frames

### Frames Assembly Illustration - Single Panel

**Note:**

See latest [Product Details](#). Head panel stop and sill step shown for identification purposes and are not included with frame.



1. [Installation Flange](#)
2. [Hookbolt Receiver](#)
3. [Latchbolt Receiver](#)
4. [Hinge leaf](#)
5. [Head Panel Stop](#) (not included with frame)
6. [Sill Step](#) (not included with frame)

### A-Series Outswing Door Frame Assembly - Single Panel

*Unit viewed from interior*



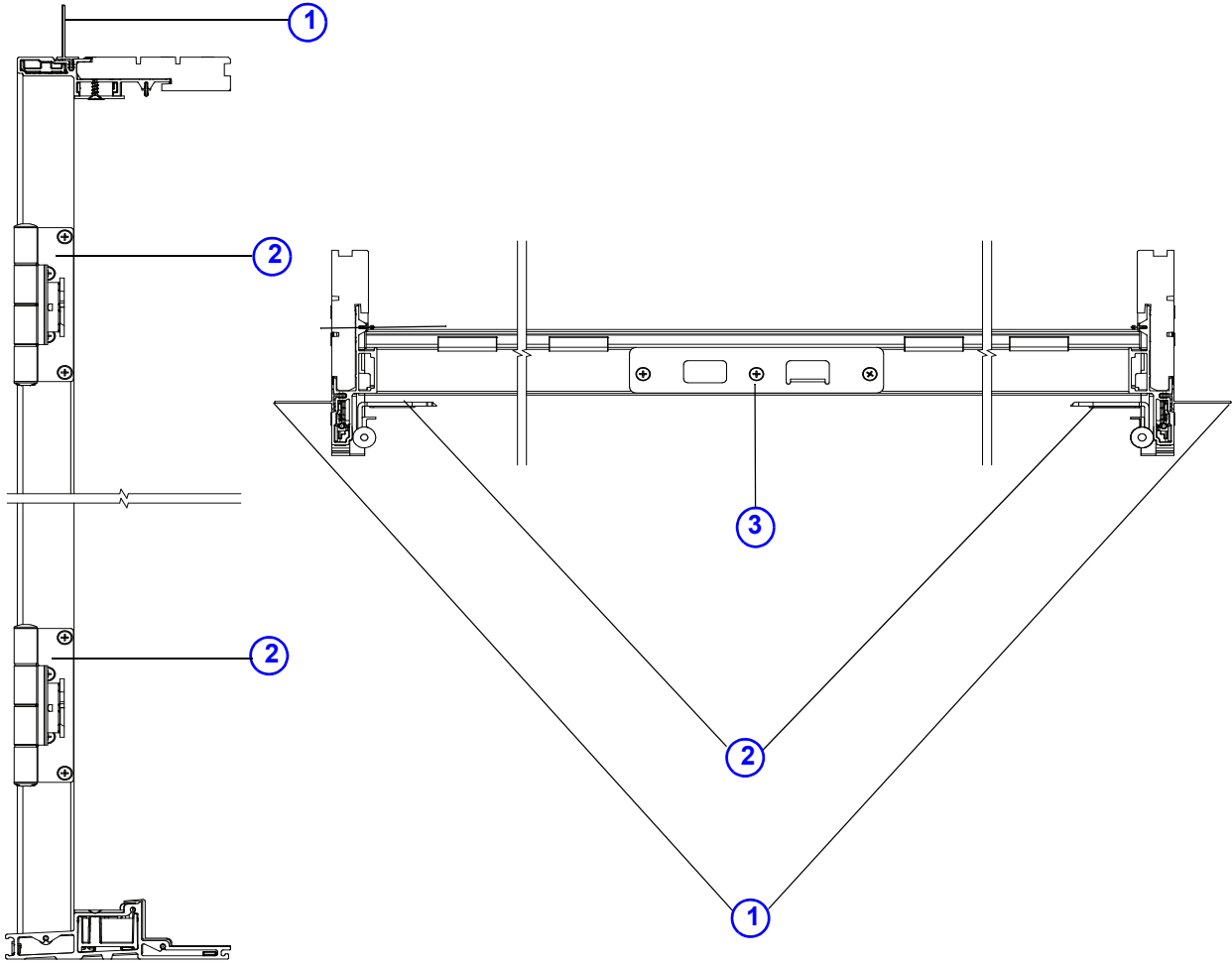
# A-Series Outswing Doors (2008 to Present)

Single Panel, 2-Panel, and Stationary Panel

## Frames

### Frame Assembly Illustration - 2 Panel

Note:  
See latest [Product Details](#).



- 1. [Installation Flange](#)
- 2. [Hinge Leaf](#)
- 3. [Flush Bolt Receiver](#)

**Frenchwood Outswing Door Frame Assembly - 2-Panel AP/PA**

*Unit viewed from interior.*

## Frames

### Installation Flanges

#### Flange - Folding / Head (2010 to Present)

		Unit	Length	Order No.	
		FWOD		32 11/32	9044836
				38 11/32	9044837
				44 11/32	9044838
				50 11/32	9044839
				59 1/4	9044828
				71 1/4	9044830
				83 1/4	9044832
				95 1/4	9044833
				117	9044840
				141	9044841
				165	By Description
	189	9044843			

#### Flange - Folding / Side (2010 to Present)

		Unit	Length	Order No.
		FWOD68	79 1/2	9044844
		FWOD611	82 3/8	9044845
		FWOD76	89 1/2	9046454
		FWOD80	95 1/2	9044846
		FWOD100	119 1/2	9044847

### Installation Kit

#### Installation Kit - Door 72 x 83

**Note:**

Used for rectangular openings up to 72" x 83". See [Installation Guide 9080775](#).

	<b>Kit Includes:</b> (1) Backer Rod - 20 ft. (64) Shims (54) Fasteners - 1 1/2" Roofing nails (1) Self-Adhering Flashing Tape - 22 ft. (1) Flexible Sill Flashing Tape - 7 ft. (1) Insulating Foam - 12 oz. can (3) Sealant - 10.1 oz. tube Installation Guide	Product Lines	Order No.
		Multiple	9080774

# A-Series Outswing Doors (2008 to Present)

Single Panel, 2-Panel, and Stationary Panel

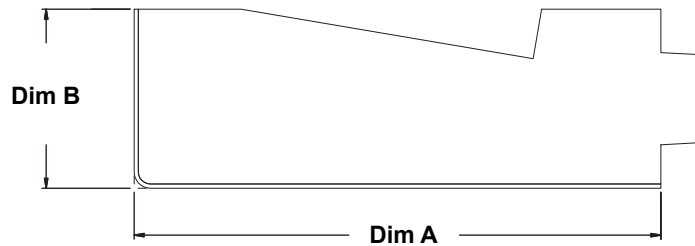
## Frames

### Extension Jamb Kits

#### Extension Jamb Kits

**Kit Includes:**

1 head jamb and 2 side jambs.



4-9/16" Base frame	Dim A	Dim B
5 1/4	11/16	43/64
6 9/16	2	43/64
7 1/8	2 9/16	43/64

6-9/16" Base frame	Dim A	Dim B
		43/64
		43/64
7 1/8	9/16	43/64



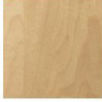




**Note:**

Custom size replacement extension jamb kits are made to order.

To order, state:

1. Description of Part (Extension Jamb Kit - Interior)
2. Quantity
3. Product ID (from product label, see [page 10](#))
4. Options Desired (if different than original product)




## Frames

Extension Jamb / Wood / Lineal									
Extension Jamb / Wood / Lineal									
<b>Note:</b> For use with 4 9/16" frame unless called out.									
Wall Depth	 Pine			 Oak			 Maple		
	83"	96"	144"	83"	96"	144"	83"	96"	144"
5 1/4"			9019671			9019674			9019677
6 9/16"	9066604		9019672	9066605	9118495	9019675	9066606	9118496	9019678
7 1/8" (4 9/16" Frame)			9019673			9019676			9019679
7 1/8" (6 9/16" Frame)			9019680			9019681			9019682
Wall Depth	 Mahogany			 Cherry			 Vertical Grain Douglas Fir		
	83"	96"	144"	83"	96"	144"	83"	96"	144"
5 1/4"			9138892			9138889			9138886
6 9/16"			9138893			9138890			9138887
7 1/8" (4 9/16" Frame)			9138894			9138891			9138888
7 1/8" (6 9/16" Frame)			9173375			9173376			9173374
Wall Depth	 Alder								
	83"	96"	144"	83"	96"	144"	83"	96"	144"
5 1/4"			9138895						
6 9/16"			9138896						
7 1/8" (4 9/16" Frame)			9138897						
7 1/8" (6 9/16" Frame)			9173377						

# A-Series Outswing Doors (2008 to Present)

Single Panel, 2-Panel, and Stationary Panel

## Frames

Extension Jamb / Painted / Lineal									
Extension Jamb / Pine Painted / Lineal									
Wall Depth	 White - Painted			 Black - Painted			 Birch Bark - Painted		
	83"	96"	144"	83"	96"	144"	83"	96"	144"
5 1/4									
6 9/16	9117169	9117171	9117170	9185667	9185668	9185669			
7 1/8									

## Frames

### Sill Parts

#### Sill Step

**Note:**

Sits horizontally on interior edge of sill. See [Track filler](#) when customer has a retractable screen. Screw package must be ordered separately.

	Unit No.	Dimensions	Maple	Oak
	FWOD21	22 1/16	9013814	9013808
	FWOD27	28 1/16	9013815	2578621
	FWOD29	30 1/16	9013816	2578623
	FWOD31	34 1/16	9013817	2578625
	FWOD33	36 1/16	9013818	9013809
	FWOD40	45 3/16	9013819	9013810
	FWO41	45 15/16	9020354	2578289
	FWOD50	57 7/32	9013820	2578630
	FWOD54	61 7/32	9013821	2578632
	FWOD60	69 7/32	9013822	2578633
	FWOD64	73 3/16	9013823	9013811

#### Sill Step Screw Package

Description	Order No.
Qty 6 - #8 x 1 1/2 brass PH FL	9055480

#### Weep Hole Cover

	Color	Order No.
	Gray	9000553
	Black	9017769

#### Drainage Cover

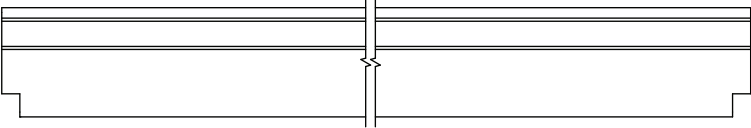
	Color	Order No.
	Gray	9001695
	Black	9017771

# A-Series Outswing Doors (2008 to Present)

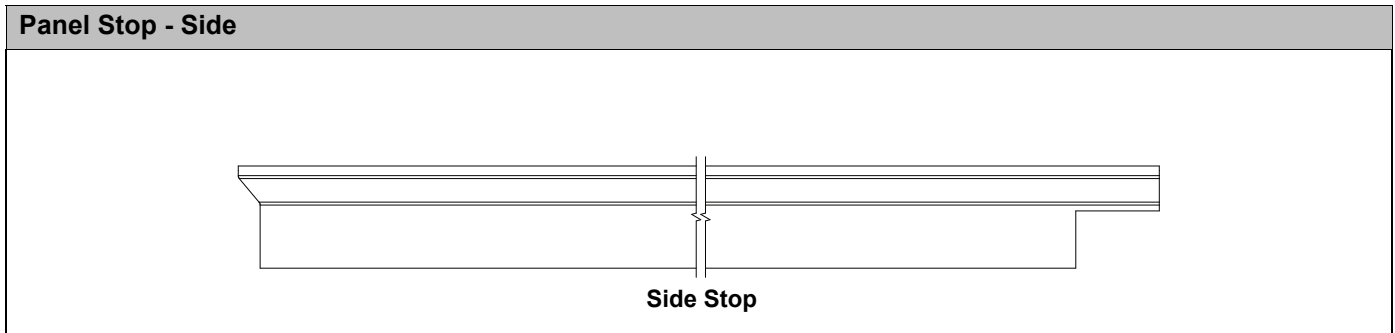
Single Panel, 2-Panel, and Stationary Panel

## Frames

Fastener Covers			
Fastener Cover Pack			
	Pack includes: (12) fastener covers	Finish	Order No.
		White	9013254
		Sandtone	9013255
		Terratone®	9013256
		Forest Green	9013257
		Canvas	9013258
		Prairie Grass	9013263
		Cocoa Bean	9013261
		Dove Gray	9013262
		Red Rock	9013259
		Black	9013260
Dark Bronze	9021382		
Fastener Cover Plug			
	Note: Used on sill to cover installation screws.	Finish	Order No.
		Sandtone	9000415

Panel Stops								
Panel Stop - Head								
 <p>Head Stop</p>								
<b>Note:</b> Stop is used on active and stationary units.								
Unit No.	Dimensions	Pine	Maple	Oak	Prefinished Interior White	Primed	Birch Bark	Black
FWO21	22 1/32	9003511	9003547	9003529	9051017	9051007	9050997	9185613
FWO27	28 1/32	9003512	9003548	9003530	9051018	9051008	9050998	9185614
FWO29	30 1/32	9003513	9003549	9003531	9051019	9051009	9050999	9185615
FWO31	34 1/32	9003514	9003550	9003532	9051020	9051010	9051000	9185617
FWO33	36 1/32	9003515	9003551	9003533	9051021	9051011	9051001	9185618
FWO40	45 3/16	9003516	9003552	9003534	9051022	9051012	9051002	9185621
FWO50	57 3/16	9003517	9003553	9003535	9051023	9051013	9051003	9185623
FWO54	61 3/16	9003518	9003554	9003536	9051024	9051014	9051004	9185624
FWO60	69 3/16	9003519	9003555	9003537	9051025	9051015	9051005	9185625
FWO64	73 3/16	9003520	9003556	9003538	9051026	9051016	9051006	9185626

## Frames



**Note:**  
Stop is used on active and stationary units.

Unit No.	Dimen- sions	Pine		Maple		Oak	
		Left	Right	Left	Right	Left	Right
<b>FWO68</b>	<b>77 1/2</b>	9003503	9003507	9003539	9003543	9003521	9003525
<b>FWO611</b>	<b>80 3/8</b>	9003504	9003508	9003540	9003544	9003522	9003526
<b>FWO80</b>	<b>93 1/2</b>	9003506	9003510	9003542	9003546	9003524	9003528

Unit No.	Dimen- sions	Prefinished Interior White		Primed		Birch Bark		Black	
		Left	Right	Left	Right	Left	Right	Left	Right
<b>FWO68</b>	<b>77 1/2</b>	9051033	9051042	9051030	9051039	9051027	9051036	9185627	9185631
<b>FWO611</b>	<b>80 3/8</b>	9051034	9051043	9051031	9051040	9051028	9051037	9185630	9185634
<b>FWO80</b>	<b>93 1/2</b>	9051035	9051044	9051032	9051041	9051029	9051038	9185628	9185632
<b>FWGD100</b>	<b>117 1/2</b>	9133937	9133936	9133944	9133943	9133951	9133950	9185629	9185633

**Fasteners**

**Stop Fastener - White**

	<b>Note:</b> Used on head and side stops. Ships as a 4" piece.	<b>Size</b>	<b>Order No.</b>
		FWOD4	9013869

**Sill Clip**

	<b>Order No.</b>
	9000566



# A-Series Outswing Doors (2008 to Present)

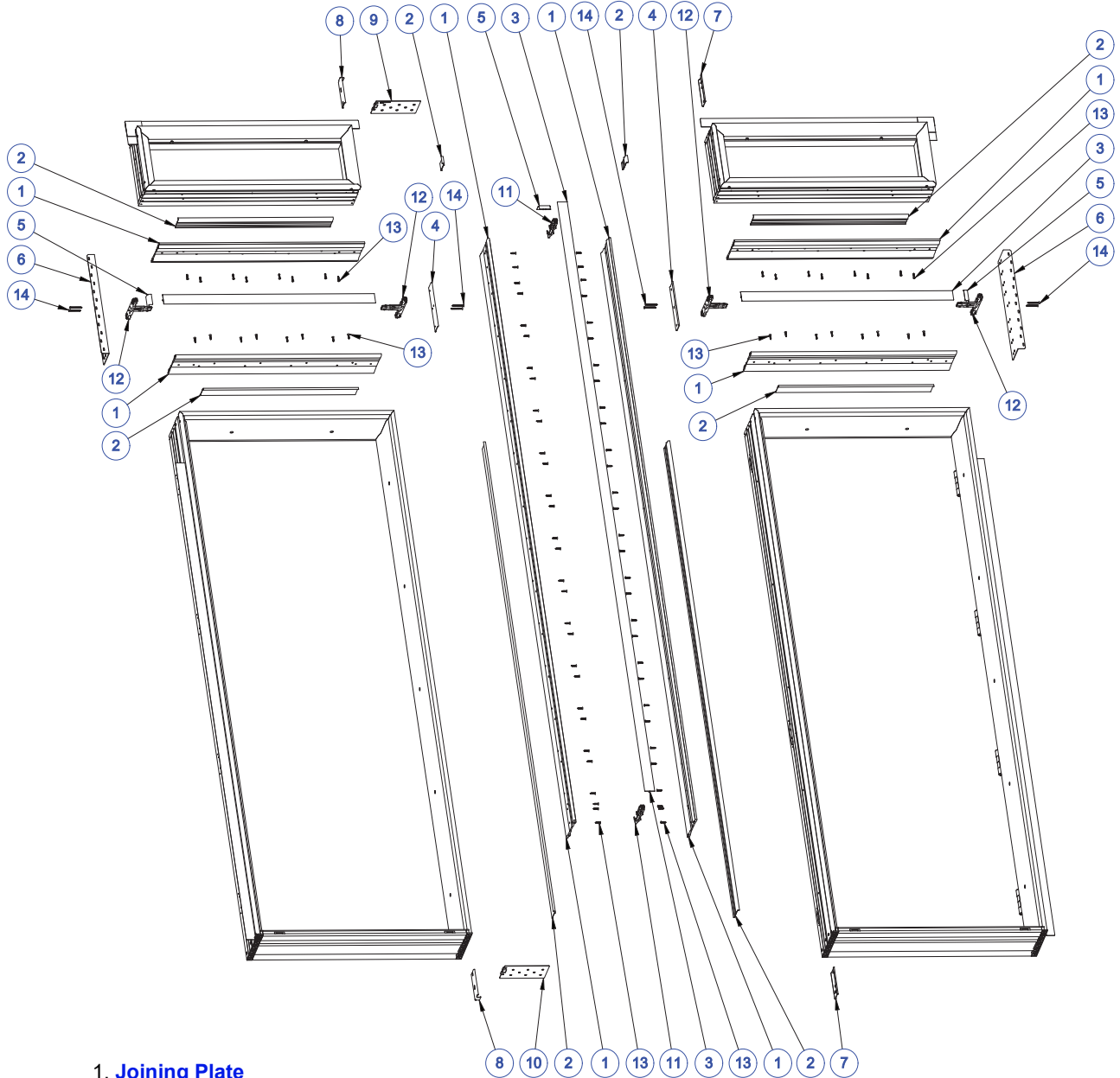
Single Panel, 2-Panel, and Stationary Panel

## Joining Components

### Fiberglass Joining Exploded View

**Note:**

See (1-Way, 1-Way Assembly in Opening and 2-Way) [Joining Guide 9180250](#).



- |   |  |  |
|---|--|--|
| 1. <a href="#">Joining Plate</a>                  | 7. <a href="#">Fixed Bracket</a>         | 11. <a href="#">End Plug</a>             |
| 2. <a href="#">Joining Plate Alignment Spacer</a> | 8. <a href="#">Slide Bracket</a>         | 12. <a href="#">Locking/Sealing Plug</a> |
| 3. <a href="#">Exterior Trim Strip</a>            | 9. <a href="#">Flat Side Gusset (A)</a>  | 13. <a href="#">7/8" Screw</a>           |
| 4. <a href="#">Intersection Bracket</a>           | 10. <a href="#">Flat Side Gusset (B)</a> | 14. <a href="#">2" Screw</a>             |
| 5. <a href="#">End Cap</a>                        |  |  |
| 6. <a href="#">Gusset Plate</a>                   |  |  |

## Joining Components

Fiberglass Joining Kits										
Joining Kits - FGL / 4 9/16"										
<b>Kit Includes:</b> (2) Joining Plate (2) Alignment Spacer (1) Exterior Trim Strip (length dimension shown) (2) Flange Gusset 18" (1) Hardware K (1) Sealant										
Color	Size									
	31	33	60	64	68	611	80	100	104	120
	Length									
	35 <sup>27</sup> / <sub>32</sub>	37 <sup>19</sup> / <sub>32</sub>	71	74 <sup>3</sup> / <sub>4</sub>	79 <sup>1</sup> / <sub>4</sub>	82 <sup>1</sup> / <sub>8</sub>	95 <sup>1</sup> / <sub>4</sub>	119 <sup>1</sup> / <sub>4</sub>	123 <sup>1</sup> / <sub>4</sub>	143 <sup>3</sup> / <sub>4</sub>
White	9179836	9179837	9179838	9179839	9179840	9179841	9179842	9179843	9179844	9179845
Terratone®	9179826	9179827	9179828	9179829	9179830	9179831	9179832	9179833	9179834	9179835
Sandtone	9179816	9179817	9179818	9179819	9179820	9179821	9179822	9179823	9179824	9179825
Forest Green	9179786	9179787	9179788	9179789	9179790	9179791	9179792	9179793	9179794	9179795
Canvas	9179746	9179747	9179748	9179749	9179750	9179751	9179752	9179753	9179754	9179755
Prairie Grass	9179796	9179797	9179798	9179799	9179800	9179801	9179802	9179803	9179804	9179805
Cocoa Bean	9179756	9179757	9179758	9179759	9179760	9179761	9179762	9179763	9179764	9179765
Dove Gray	9179776	9179777	9179778	9179779	9179780	9179781	9179782	9179783	9179784	9179785
Red Rock	9179806	9179807	9179808	9179809	9179810	9179811	9179812	9179813	9179814	9179815
Black	9179736	9179737	9179738	9179739	9179740	9179741	9179742	9179743	9179744	9179745
Dark Bronze	9179766	9179767	9179768	9179769	9179770	9179771	9179772	9179773	9179774	9179775

Joining Kits - FGL / 6 9/16"			
<b>Kit Includes:</b> (2) Joining Plate (2) Alignment Spacer (1) Exterior Trim Strip (length dimension shown) (2) Flange Gusset 18" (1) Hardware Kit (1) Sealant	Color	Size	
		104	140
		Length	
		123 <sup>1</sup> / <sub>4</sub>	167 <sup>3</sup> / <sub>4</sub>
		White	9179866
Terratone®	9179864	9179865	
Sandtone	9179862	9179863	
Forest Green	9179856	9179857	
Canvas	9179848	9179849	
Prairie Grass	9179858	9179859	
Cocoa Bean	9179850	9179851	
Dove Gray	9179852	9179853	
Red Rock	9179860	9179861	
Black	9179846	9179847	
Dark Bronze	9179854	9179855	

# A-Series Outswing Doors (2008 to Present)

Single Panel, 2-Panel, and Stationary Panel

## Joining Components

### Fiberglass Joining Hardware Kits

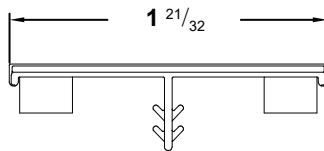
#### Hardware Kit - FGL Joining

<b>Kit Includes:</b>	<b>Color</b>	<b>Order No.</b>
(1) Intersection Bracket	White	9180115
(2) Fixed Bracket	Terratone®	9180114
(2) Slide Bracket	Sandtone	9180113
(1) Flat Side Gusset Type A	Forest Green	9180110
(1) Flat Side Gusset Type B	Canvas	9180107
(2) Locking/Sealing Plug	Prairie Grass	9180111
(2) End Plug	Cocoa Bean	9180106
(2) End Cap	Dove Gray	9180108
(18) Screw 10-16 x 2	Red Rock	9180112
(52) Screw 10-12 x 7/8	Black	9179999
(1) Gasket	Dark Bronze	9180109

## Joining Components

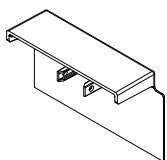
### Fiberglass Joining Kit Components

#### Trim Strip - FGL



Color	Size										
	31	33	60	64	68	611	80	100	104	120	120
	Length										
	35 <sup>27</sup> / <sub>32</sub>	37 <sup>27</sup> / <sub>32</sub>	71	74 <sup>3</sup> / <sub>4</sub>	79 <sup>1</sup> / <sub>4</sub>	82 <sup>1</sup> / <sub>8</sub>	94 <sup>1</sup> / <sub>4</sub>	119 <sup>1</sup> / <sub>4</sub>	123 <sup>1</sup> / <sub>4</sub>	143 <sup>3</sup> / <sub>4</sub>	167 <sup>3</sup> / <sub>4</sub>
White	9179978	9179979	9179980	9179981	9180159	9180160	9180161	9180162	9179982	9179983	9179984
Terratone®	9179971	9179972	9179973	9179974	9180155	9180156	9180157	9180158	9179975	9179976	9179977
Sandtone	9179964	9179965	9179966	9179967	9180151	9180152	9180153	9180154	9179968	9179969	9179970
Forest Green	9179935	9179936	9179937	9179938	9180147	9180148	9180149	9180150	9179939	9179940	9179941
Canvas	9179899	9179900	9179901	9179902	9180139	9180140	9180141	9180142	9179903	9179904	9179905
Prairie Grass	9179942	9179943	9179944	9179945	9179946	9179947	9179948	9179949	9179950	9179951	9179952
Cocoa Bean	9179906	9179907	9179908	9179909	9179910	9179911	9179912	9179913	9179914	9179915	9179916
Dove Gray	9179917	9179918	9179919	9179920	9179921	9179922	9179923	9179924	9179925	9179926	9179927
Red Rock	9179953	9179954	9179955	9179956	9179957	9179958	9179959	9179960	9179961	9179962	9179963
Black	9179891	9179892	9179893	9179894	9180136	9180137	9180138	9179895	9179896	9179897	9179898
Dark Bronze	9179928	9179929	9179930	9179931	9180143	9180144	9180145	9180146	9179932	9179933	9179934

#### End Cap - FGL

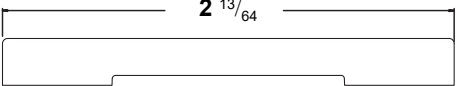


Color	Order No.
White	9043111
Terratone®	9043119
Sandtone	9043110
Forest Green	9043118
Canvas	9043112
Prairie Grass	9043117
Cocoa Bean	9043116
Dove Gray	9043113
Red Rock	9043114
Black	9043115
Dark Bronze	9043120

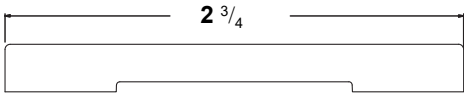
# A-Series Outswing Doors (2008 to Present)

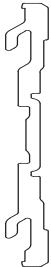

Single Panel, 2-Panel, and Stationary Panel

## Joining Components

Inside Casing - 2 1/8"										
										
Finish	96"			120"						
	Pine	Maple	Oak	Pine	Maple	Oak	Cherry	Mahogany	Douglas Fir	Alder
Unfinished	9067316	9064335	9064417	9068749	9068751	9068750	9140911	9140912	9140910	9140913
White	9013179	9055406	9040761	9013180	9040762	9055403			-	
Clear Coat	9013183	9013187	9013185	9013184	9013188	9013186			-	
Cinnamon	9013207	9013211	9013209	9013208	9013212	9013210			-	
Mocha	9013195	9013199	9013197	9013196	9013200	9013198			-	
Primed	9013181	9055407	9040763	9013182	9040764	9055404			-	
Honey	9013201	9013205	9013203	9013202	9013206	9013204			-	
Russet	9013189	9013193	9013191	9013190	9013194	9013192			-	
Espresso	9013215	9013219	9013217	9013216	9013220	9013218			-	
Birch Bark (Bright White)	9013213	9055408	9040765	9013214	9040766	9055405			-	
<b>White</b>	9013179	9055406	9040761	9013180	9040762	9055403			-	
<b>Terratone®</b>	9178875	9178857	9178866	9178830	9178848	9178839			-	
<b>Sandtone</b>	9178874	9178856	9178865	9178829	9178847	9178838			-	
<b>Forest Green</b>	9178881	9178863	9178872	9178836	9178854	9178845			-	
<b>Canvas</b>	9178873	9178855	9178864	9178828	9178846	9178837			-	
<b>Prairie Grass</b>									-	
<b>Cocoa Bean</b>	9178880	9178862	9178871	9178835	9178853	9178844			-	
<b>Dove Gray</b>	9178879	9178861	9178870	9178834	9178852	9178843			-	
<b>Red Rock</b>	9178878	9178860	9178869	9178833	9178851	9178842			-	
<b>Black</b>	9178876	9178858	9178867	9178831	9178849	9178840			-	
<b>Dark Bronze</b>	9178877	9178859	9178868	9178832	9178850	9178841			-	

## Joining Components

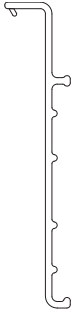
Inside Casing - 2 3/4"										
<b>Note:</b> Used when a wide bottom rail (A-Series Casement or A-Series Awning) unit is mulled above other A-Series windows or doors.										
										
Finish	72"			96"						
	Pine	Maple	Oak	Pine	Maple	Oak	Cherry	Mahogany	Douglas Fir	Alder
Unfinished	9067322	9064398	9064485	9067323	9068753	9068752	9140915	9140916	9140914	9140917
White	9031540	9055381	9055383	9055372	9055385	9055394	-	-	-	-
Clear Coat	9031542	9031544	9031543	9055373	9055386	9055395	-	-	-	-
Cinnamon	9031554	9031556	9031555	9055374	9055387	9055396	-	-	-	-
Mocha	9031548	9031550	9031549	9055375	9055388	9055397	-	-	-	-
Primed	9031541	9055382	9055384	9055376	9055389	9055398	-	-	-	-
Honey	9031551	9031553	9031552	9055377	9055390	9055399	-	-	-	-
Russet	9031545	9031547	9031546	9055378	9055391	9055400	-	-	-	-
Espresso	9031558	9031560	9031559	9055379	9055392	9055401	-	-	-	-
Birch Bark (Bright White)	9031557	9040611	9040610	9055380	9055393	9055402	-	-	-	-

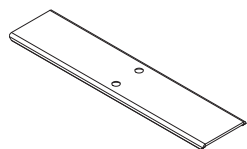
Joining Plate - FGL					
<b>Note:</b> Need two per mull. Cut to fit joining plates 1 1/2" shorter than the overall mulled length or width.					
 4 9/16	 6 9/16	Depth	Size	Length	Order No.
		<div style="display: flex; justify-content: space-around;"> <span>4 9/16</span> <span>6 9/16</span> </div>		4 9/16	31
33	36 19/32				9179869
60	69 3/4				9179870
64	73 1/2				9179871
68	78				9179872
611	80 7/8				9179873
80	94				9179874
100	118				9179875
104	122				9179876
120	142 1/2				9179877
<div style="display: flex; justify-content: space-around;"> <span>4 9/16</span> <span>6 9/16</span> </div>		6 9/16	100	118	9179878
			140	166 1/2	9179879

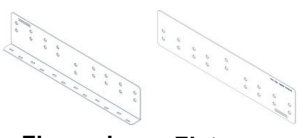
# A-Series Outswing Doors (2008 to Present)

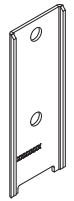
Single Panel, 2-Panel, and Stationary Panel

## Joining Components


Joining Plate Alignment Spacer - FGL				
<b>Note:</b> Need one per unit jamb that is to be joined. Required length: Join dimension - 1 1/2"				
		<b>Size</b>	<b>Length</b>	<b>Order No.</b>
		31	26 <sup>3</sup> / <sub>32</sub>	9179880
		33	28 <sup>3</sup> / <sub>32</sub>	9179881
		60	61 <sup>1</sup> / <sub>4</sub>	9179882
		64	65	9179883
		68	69 <sup>1</sup> / <sub>2</sub>	9179884
		611	72 <sup>3</sup> / <sub>8</sub>	9179885
		80	85 <sup>1</sup> / <sub>2</sub>	9179886
		100	109 <sup>1</sup> / <sub>2</sub>	9179887
		104	113 <sup>1</sup> / <sub>2</sub>	9179888
		120	134	9179889
		140	158	9179890

Intersection Bracket - FGL		
		<b>Order No.</b>
		9152243

Gusset Plate - FGL / 18"			
<b>Note:</b> Need two per join. Required length: Join dimension - 1 1/2"			
 <b>Flanged</b> <b>Flat</b>		<b>Type</b>	<b>Order No.</b>
		Flat	9179994
		Flanged	9179993

Fixed Bracket - FGL		
		<b>Order No.</b>
		9179997

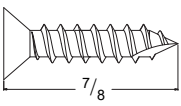
## Joining Components

Slide Bracket - FGL		
		<b>Order No.</b>
		9179998

Flat Slide Gusset - FGL		
 Type A      Type B		<b>Type</b>
		A
		B
		<b>Order No.</b>
		9179995
		9179996

End Plug - FGL		
		<b>Order No.</b>
		9179992

Locking/Sealing Plug - FGL		
		<b>Order No.</b>
		9177451

Screw Package - 7/8" FGL Screw		
<b>Package Includes:</b>		
(52) Fasteners 10-16 x 7/8" PH FL Type 17		
 7/8		<b>Qty</b>
		52
		<b>Order No.</b>
		9159384



# A-Series Outswing Doors (2008 to Present)

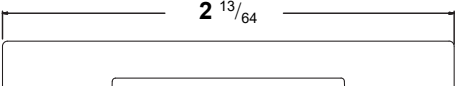
Single Panel, 2-Panel, and Stationary Panel

## Joining Components

### Vintage LVL Joining Kit Components

**Note:**

Laminated Veneer Lumber (LVL) Joining System was replaced by Easy Connect Joining System (ECJS) in July 2019. Some kits and component parts are unavailable

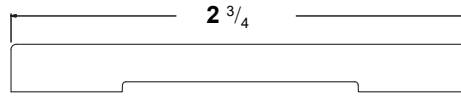
Inside Casing - 2 1/8"											
											
Finish	96"			120"			Cherry	Mahog- any	Douglas Fir	Alder	
	Pine	Maple	Oak	Pine	Maple	Oak					
Unfinished	9067316	9064335	9064417	9068749	9068751	9068750	9140911	9140912	9140910	9140913	
White	9013179	9055406	9040761	9013180	9040762	9055403				-	
Clear Coat	9013183	9013187	9013185	9013184	9013188	9013186				-	
Cinnamon	9013207	9013211	9013209	9013208	9013212	9013210				-	
Mocha	9013195	9013199	9013197	9013196	9013200	9013198				-	
Primed	9013181	9055407	9040763	9013182	9040764	9055404				-	
Honey	9013201	9013205	9013203	9013202	9013206	9013204				-	
Russet	9013189	9013193	9013191	9013190	9013194	9013192				-	
Espresso	9013215	9013219	9013217	9013216	9013220	9013218				-	
Birch Bark (Bright White)	9013213	9055408	9040765	9013214	9040766	9055405				-	
<b>White</b>	9013179	9055406	9040761	9013180	9040762	9055403				-	
<b>Terratone®</b>	9178875	9178857	9178866	9178830	9178848	9178839				-	
<b>Sandtone</b>	9178874	9178856	9178865	9178829	9178847	9178838				-	
<b>Forest Green</b>	9178881	9178863	9178872	9178836	9178854	9178845				-	
<b>Canvas</b>	9178873	9178855	9178864	9178828	9178846	9178837				-	
<b>Prairie Grass</b>										-	
<b>Cocoa Bean</b>	9178880	9178862	9178871	9178835	9178853	9178844				-	
<b>Dove Gray</b>	9178879	9178861	9178870	9178834	9178852	9178843				-	
<b>Red Rock</b>	9178878	9178860	9178869	9178833	9178851	9178842				-	
<b>Black</b>	9178876	9178858	9178867	9178831	9178849	9178840				-	
<b>Dark Bronze</b>	9178877	9178859	9178868	9178832	9178850	9178841				-	

## Joining Components

### Inside Casing - 2 3/4"

**Note:**

Used when a wide bottom rail (A-Series Casement or A-Series Awning) unit is mulled above other A-Series windows or doors.



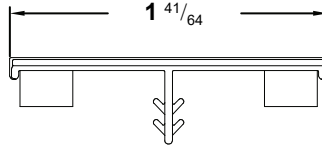
Finish	72"			96"						
	Pine	Maple	Oak	Pine	Maple	Oak	Cherry	Mahogany	Douglas Fir	Alder
Unfinished	9067322	9064398	9064485	9067323	9068753	9068752	9140915	9140916	9140914	9140917
White	9031540	9055381	9055383	9055372	9055385	9055394	-	-	-	-
Clear Coat	9031542	9031544	9031543	9055373	9055386	9055395	-	-	-	-
Cinnamon	9031554	9031556	9031555	9055374	9055387	9055396	-	-	-	-
Mocha	9031548	9031550	9031549	9055375	9055388	9055397	-	-	-	-
Primed	9031541	9055382	9055384	9055376	9055389	9055398	-	-	-	-
Honey	9031551	9031553	9031552	9055377	9055390	9055399	-	-	-	-
Russet	9031545	9031547	9031546	9055378	9055391	9055400	-	-	-	-
Espresso	9031558	9031560	9031559	9055379	9055392	9055401	-	-	-	-
Birch Bark (Bright White)	9031557	9040611	9040610	9055380	9055393	9055402	-	-	-	-

# A-Series Outswing Doors (2008 to Present)

Single Panel, 2-Panel, and Stationary Panel

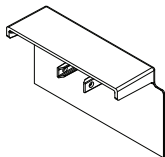
## Joining Components

### Trim Strip - LVL Joining



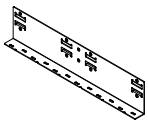
Color	Size					
	31	68	611	80	100	104
	Length					
	$36 \frac{3}{32}$	$79 \frac{9}{32}$	$82 \frac{3}{16}$	$95 \frac{9}{32}$	$119 \frac{9}{32}$	$123 \frac{11}{32}$
White	9044058	9044062	9044063	9044064	9044066	9044065
Terratone®	9044098	9044130	9044138	9044146	9044162	9044154
Sandtone	9044068	9044072	9044073	9044074	9044076	9044075
Forest Green	9044099	9044131	9044139	9044147	9044163	9044155
Canvas	9044078	9044082	9044083	9044084	9044086	9044085
Prairie Grass	9044103	9044135	9044143	9044151	9044167	9044159
Cocoa Bean	9044102	9044134	9044142	9044150	9044166	9044158
Dove Gray	9044088	9044092	9044093	9044094	9044096	9044095
Red Rock	9044100	9044132	9044140	9044148	9044164	9044156
Black	9044101	9044133	9044141	9044149	9044165	9044157
Dark Bronze	9044104	9044136	9044144	9044152	9044168	9044160

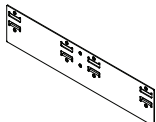
### End Cap - LVL/FGL



Color	Order No.
White	9043111
Terratone®	9043119
Sandtone	9043110
Forest Green	9043118
Canvas	9043112
Prairie Grass	9043117
Cocoa Bean	9043116
Dove Gray	9043113
Red Rock	9043114
Black	9043115
Dark Bronze	9043120

## Joining Components

Gusset Plate - Flanged / LVL / 18"		
		<b>Order No.</b>
		3020004

Gusset Plate - Straight / LVL / 18"		
		<b>Order No.</b>
		9023934

Screw - Bracket		
		<b>Order No.</b>
		3020011

Screw Package - 1" LVL Screw			
	<b>Package Includes:</b> Screw, 10-12 x 1.000 Cross recess flat HD Type 17	<b>Qty</b>	<b>Order No.</b>
		18	9017653

Screw Package - 1.75" LVL Screw			
	<b>Package Includes:</b> Screw, 10-12 X 1-3/4 Cross recess flat HD Type 17	<b>Qty</b>	<b>Order No.</b>
		18	9017652

Screw Package - 2" LVL Screw			
	<b>Package Includes:</b> Screw, 10-12 x 1-3/4 Cross recess flat HD Type 17	<b>Qty</b>	<b>Order No.</b>
		18	9017654

Screw Package - 2.5" LVL Screw			
	<b>Package Includes:</b> Screw, 10-12 x 2-1/2 typ 17 PH FL STL ZY	<b>Qty</b>	<b>Order No.</b>
		18	9017651

Screw Package - 3" LVL Screw			
	<b>Package Includes:</b> Screw, 10-12 x 3.000 typ 17 PH FL STL ZY	<b>Qty</b>	<b>Order No.</b>
		18	9017650

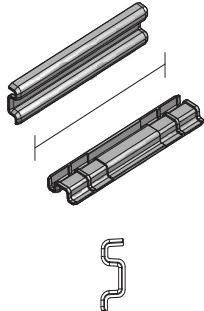
# A-Series Outswing Doors (2008 to Present)

Single Panel, 2-Panel, and Stationary Panel

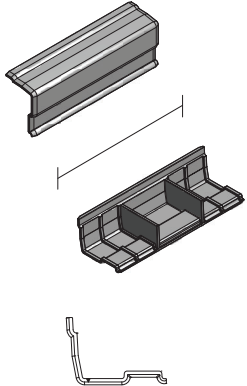
## Joining Components

### Mull Cover Kits

#### Mull Cover Kit - Sill / Standard

		<b>Color</b>	<b>Length</b>	<b>Order No.</b>
		Gray	4 1/8	9131768
		Dark Bronze		9131769

#### Mull Cover Kit - Sill / Drop Channel

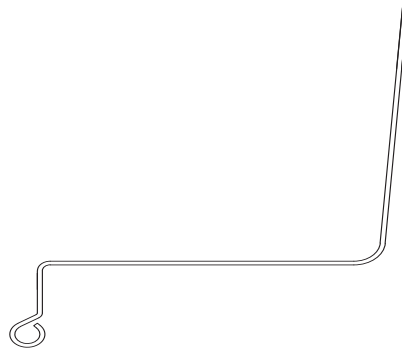
		<b>Color</b>	<b>Length</b>	<b>Order No.</b>
		Gray	4 1/8	9131770
		Dark Bronze		9131771

## Joining Components

### Universal Drip Cap - Continuous

**Note:**

Use on side-by-side or vertical joins mullled at the factory or distributor. Consists of 24 gauge aluminum material.



	72"			120"			151 1/2"	
	Package Quantity			Package Quantity			Package Quantity	
	1	10	40	1	10	40	1	10
White	2222525	2222526	2222527	2222546	2222547	2222548	2222555	2222556
Terratone	2222528	2222529	NA	2222549	2222550	NA	2222557	2222558
Sandtone	2222530	2222531	NA	2222551	2222552	NA	2222559	2222560
Forest Green	2222532	2222533	NA	2222553	2222554	NA	2222561	2222562
Canvas	9003116	9003117	NA	9003126	9003127	NA	9003130	9003131
Prairie Grass	9003565	9003566	NA	9003573	9003574	NA	9003581	9003582
Cocoa Bean	9003118	9003119	NA	9003128	9003129	NA	9003132	9003133
Dove Gray	9003563	9003564	NA	9003571	9003572	NA	9003579	9003580
Red Rock	9003559	9003560	NA	9003567	9003568	NA	9003575	9003576
Black	9003561	9003562	NA	9003569	9003570	NA	9003577	9003578
Dark Bronze	9020502	9020503	NA	9020504	9020505	NA	9020506	9020507

## A-Series Outswing Doors (2008 to Present)

### A-Series Stormwatch® Protection (Coastal Product)

**Note:**

Andersen® products with Stormwatch® protection are designed for use in coastal areas. They feature design pressure upgrades, glass options, and structural enhancements. The parts listed in this section are exclusive to the Stormwatch® line.

Parts shared with standard doors are listed in the standard product pages of the section.

#### Panels - Active

#### Active Panels - Single Doors (Impact Resistant)

**Note:**

Impact Resistant replacement panels for standard and custom-sized doors are made to order.

**Exterior color options:**

White, Terratone, Sandtone, Forest Green, Canvas, Prairie Grass, Cocoa Bean, Dove Gray, Red Rock, Black or Dark Bronze.

**Interior species/finish/color options:**

Pine, Maple, Oak, Mahogany, Douglas Fir, Cherry, Pine, Clear Coat, Cinnamon, Mocha, Honey, Russet, Espresso, White, Birch Bark, Primed, Terratone, Sandtone, Forest Green, Canvas, Prairie Grass, Cocoa Bean, Dove Gray, Red Rock, Dark Bronze or Black

**Glass options:**

Low E4 Tempered Impact Resistant, Low E4 Smart Sun Tempered Impact Resistant, Low E4 Sun Tempered Impact Resistant, Low E4 HeatLock Tempered Impact Resistant, Low E4 Smart Sun HeatLock Tempered Impact Resistant, Low E4 Sun HeatLock Tempered Impact Resistant, Laminated Monolithic in Gray or Clear

*To order, state:*

**Product ID (from product label, see [Service Guide 9051877](#))**

OR

1. **Unit or frame size (FWHOD XXXX or frame W x H dimensions)**
2. **Description of part (Active Panel)**
3. **Handing (Right, Left)**
4. **Exterior color of panel**
5. **Interior wood species of panel**
6. **Interior finish/color of panel**
7. **Glazing**

## Panels - Active

### Active Panels with Astragal - Double Doors (AP) (Impact Resistant)

**Note:**

Impact Resistant replacement panels for standard and custom-sized doors are made to order.

**Exterior color options:**

White, Terratone, Sandtone, Forest Green, Canvas, Prairie Grass, Cocoa Bean, Dove Gray, Red Rock, Black or Dark Bronze.

**Interior finish options:**

Pine, Maple, Oak, Mahogany, Douglas Fir, Cherry, Pine, Clear Coat, Cinnamon, Mocha, Honey, Russet, Espresso, White, Birch Bark, Primed, Terratone, Sandtone, Forest Green, Canvas, Prairie Grass, Cocoa Bean, Dove Gray, Red Rock, Dark Bronze or Black

**Glass options:**

Low E4 Tempered Impact Resistant, Low E4 Smart Sun Tempered Impact Resistant, Low E4 Sun Tempered Impact Resistant, Low E4 HeatLock Tempered Impact Resistant, Low E4 Smart Sun HeatLock Tempered Impact Resistant, Low E4 Sun HeatLock Tempered Impact Resistant, Laminated Monolithic in Gray or Clear

*To order, state:*

Product ID (from product label, see [Service Guide 9051877](#))

OR

1. Unit or frame size (FWHOD XXXX or frame W x H dimensions)
2. Description of part (AP Active Panel)
3. Exterior color of panel
4. Interior wood species of panel
5. Interior finish/color of panel
6. Glazing

### Active Panels with Astragal - Double Doors (PA) (Impact Resistant)

**Note:**

Impact Resistant replacement panels for standard and custom-sized doors are made to order.

**Exterior color options:**

White, Terratone, Sandtone, Forest Green, Canvas, Prairie Grass, Cocoa Bean, Dove Gray, Red Rock, Black or Dark Bronze.

**Interior species/finish/color options:**

Pine, Maple, Oak, Mahogany, Douglas Fir, Cherry, Pine, Clear Coat, Cinnamon, Mocha, Honey, Russet, Espresso, White, Birch Bark, Primed, Terratone, Sandtone, Forest Green, Canvas, Prairie Grass, Cocoa Bean, Dove Gray, Red Rock, Dark Bronze or Black

**Glass options:**

Low E4 Tempered Impact Resistant, Low E4 Smart Sun Tempered Impact Resistant, Low E4 Sun Tempered Impact Resistant, Low E4 HeatLock Tempered Impact Resistant, Low E4 Smart Sun HeatLock Tempered Impact Resistant, Low E4 Sun HeatLock Tempered Impact Resistant, Laminated Monolithic in Gray or Clear

*To order, state:*

Product ID (from product label, see [Service Guide 9051877](#))

OR

1. Unit or frame size (FWHOD XXXX or frame W x H dimensions)
2. Description of part (PA Active Panel)
3. Exterior color of panel
4. Interior wood species of panel
5. Interior finish/color of panel
6. Glazing



### Passive Panels - (AP/PA) (Impact Resistant)

**Note:**

Impact Resistant replacement panels for standard and custom-sized doors are made to order.

**Exterior color options:**

White, Terratone, Sandtone, Forest Green, Canvas, Prairie Grass, Cocoa Bean, Dove Gray, Red Rock, Black or Dark Bronze.

**Interior species/finish/color options:**

Pine, Maple, Oak, Mahogany, Douglas Fir, Cherry, Pine, Clear Coat, Cinnamon, Mocha, Honey, Russet, Espresso, White, Birch Bark, Primed, Terratone, Sandtone, Forest Green, Canvas, Prairie Grass, Cocoa Bean, Dove Gray, Red Rock, Dark Bronze or Black

**Glass options:**

Low E4 Tempered Impact Resistant, Low E4 Smart Sun Tempered Impact Resistant, Low E4 Sun Tempered Impact Resistant, Low E4 HeatLock Tempered Impact Resistant, Low E4 Smart Sun HeatLock Tempered Impact Resistant, Low E4 Sun HeatLock Tempered Impact Resistant, Laminated Monolithic in Gray or Clear

*To order, state:*

**Product ID (from product label, see [Service Guide 9051877](#))**

OR

- 1. Unit or frame size (FWHOD XXXX or frame W x H dimensions)**
- 2. Description of part (Passive Panel)**
- 3. Handing (Right, Left)**
- 4. Exterior color of panel**
- 5. Interior wood species of panel**
- 6. Interior finish/color of panel**
- 7. Glazing**

**Panels - Passive**

**Panel Astragal with Screws - Passive (AP) / Stainless Steel Hardware**

Astragal Kit - Passive (AP) / Stainless Steel Hardware / Pine Interior							
Unit No.	Dimensions	Pine Interior					
		White Exterior	Terratone Exterior	Sandtone Exterior	Forest Green Exterior	Canvas Exterior	Prairie Grass Exterior
FWO68AP	77 3/4	9067501	9067507	9067504	9067510	9067513	9067528
FWO611AP	80 3/4	9067502	9067508	9067505	9067511	9067514	9067529
FWO80AP	93 3/4	9067503	9067509	9067506	9067512	9067515	9067530

Unit No.	Dimensions	Pine Interior				
		Cocoa Bean Exterior	Dove Gray Exterior	Red Rock Exterior	Black Exterior	Dark Bronze Exterior
FWO68AP	77 3/4	9067522	9067525	9067516	9067519	9067681
FWO611AP	80 3/4	9067523	9067526	9067517	9067520	9067682
FWO80AP	93 3/4	9067524	9067527	9067518	9067521	9067683

Astragal Kit - Passive (AP) / Stainless Steel Hardware / Maple Interior							
Unit No.	Dimensions	Maple Interior					
		White Exterior	Terratone Exterior	Sandtone Exterior	Forest Green Exterior	Canvas Exterior	Prairie Grass Exterior
FWO68AP	77 3/4	9067561	9067567	9067564	9067570	9067573	9067588
FWO611AP	80 3/4	9067562	9067568	9067565	9067571	9067574	9067589
FWO80AP	93 3/4	9067563	9067569	9067566	9067572	9067575	9067590

Unit No.	Dimensions	Maple Interior				
		Cocoa Bean Exterior	Dove Gray Exterior	Red Rock Exterior	Black Exterior	Dark Bronze Exterior
FWO68AP	77 3/4	9067582	9067585	9067576	9067579	9067687
FWO611AP	80 3/4	9067583	9067586	9067577	9067580	9067688
FWO80AP	93 3/4	9067584	9067587	9067578	9067581	9067689

Astragal Kit - Passive (AP) / Stainless Steel Hardware / Oak Interior							
Unit No.	Dimensions	Oak Interior					
		White Exterior	Terratone Exterior	Sandtone Exterior	Forest Green Exterior	Canvas Exterior	Prairie Grass Exterior
FWO68AP	77 3/4	9067531	9067537	9067534	9067540	9067543	9067558
FWO611AP	80 3/4	9067532	9067538	9067535	9067541	9067544	9067559
FWO80AP	93 3/4	9067533	9067539	9067536	9067542	9067545	9067560

Unit No.	Dimensions	Oak Interior				
		Cocoa Bean Exterior	Dove Gray Exterior	Red Rock Exterior	Black Exterior	Dark Bronze Exterior
FWO68AP	77 3/4	9067552	9067555	9067546	9067549	9067684
FWO611AP	80 3/4	9067553	9067556	9067547	9067550	9067685
FWO80AP	93 3/4	9067554	9067557	9067548	9067551	9067686

# A-Series Outswing Doors (2008 to Present)

A-Series Stormwatch® Protection (Coastal Product)

## Panels - Passive

### Panel Astragal with Screws - Passive (PA) / Stainless Steel Hardware

Astragal Kit - Passive (PA) / Stainless Steel Hardware / Pine Interior							
Unit No.	Dimensions	Pine Interior					
		White Exterior	Terratone Exterior	Sandtone Exterior	Forest Green Exterior	Canvas Exterior	Prairie Grass Exterior
FWO68AP	77 3/4	9067591	9067597	9067594	9067600	9067603	9067618
FWO611AP	80 3/4	9067592	9067598	9067595	9067601	9067604	9067619
FWO80AP	93 3/4	9067593	9067599	9067596	9067602	9067605	9067620

Astragal Kit - Passive (PA) / Stainless Steel Hardware / Pine Interior							
Unit No.	Dimensions	Pine Interior					
		Cocoa Bean Exterior	Dove Gray Exterior	Red Rock Exterior	Black Exterior	Dark Bronze Exterior	
FWO68AP	77 3/4	9067612	9067615	9067606	9067609	9067690	
FWO611AP	80 3/4	9067613	9067616	9067607	9067610	9067691	
FWO80AP	93 3/4	9067614	9067617	9067608	9067611	9067692	

Astragal Kit - Passive (PA) / Stainless Steel Hardware / Maple Interior							
Unit No.	Dimensions	Maple Interior					
		White Exterior	Terratone Exterior	Sandtone Exterior	Forest Green Exterior	Canvas Exterior	Prairie Grass Exterior
FWO68AP	77 3/4	9067651	9067657	9067654	9067660	9067663	9067678
FWO611AP	80 3/4	9067652	9067658	9067655	9067661	9067664	9067679
FWO80AP	93 3/4	9067653	9067659	9067656	9067662	9067665	9067680

Astragal Kit - Passive (PA) / Stainless Steel Hardware / Maple Interior							
Unit No.	Dimensions	Maple Interior					
		Cocoa Bean Exterior	Dove Gray Exterior	Red Rock Exterior	Black Exterior	Dark Bronze Exterior	
FWO68AP	77 3/4	9067672	9067675	9067666	9067669	9067696	
FWO611AP	80 3/4	9067673	9067676	9067667	9067670	9067697	
FWO80AP	93 3/4	9067674	9067677	9067668	9067671	9067698	

Astragal Kit - Passive (PA) / Stainless Steel Hardware / Oak Interior							
Unit No.	Dimensions	Oak Interior					
		White Exterior	Terratone Exterior	Sandtone Exterior	Forest Green Exterior	Canvas Exterior	Prairie Grass Exterior
FWO68AP	77 3/4	9067621	9067627	9067624	9067630	9067633	9067648
FWO611AP	80 3/4	9067622	9067628	9067625	9067631	9067634	9067649
FWO80AP	93 3/4	9067623	9067629	9067626	9067632	9067635	9067650

Astragal Kit - Passive (PA) / Stainless Steel Hardware / Oak Interior							
Unit No.	Dimensions	Oak Interior					
		Cocoa Bean Exterior	Dove Gray Exterior	Red Rock Exterior	Black Exterior	Dark Bronze Exterior	
FWO68AP	77 3/4	9067642	9067645	9067636	9067639	9067693	
FWO611AP	80 3/4	9067643	9067646	9067637	9067640	9067694	
FWO80AP	93 3/4	9067644	9067647	9067638	9067641	9067695	

## Panels - Stationary

### Stationary Panels (Impact Resistant)

**Note:**

Impact Resistant replacement panels for standard and custom-sized doors are made to order.

**Exterior color options:**

White, Terratone, Sandtone, Forest Green, Canvas, Prairie Grass, Cocoa Bean, Dove Gray, Red Rock, Black or Dark Bronze.

**Interior species/finish/color options:**

Pine, Maple, Oak, Mahogany, Douglas Fir, Cherry, Pine, Clear Coat, Cinnamon, Mocha, Honey, Russet, Espresso, White, Birch Bark, Primed, Terratone, Sandtone, Forest Green, Canvas, Prairie Grass, Cocoa Bean, Dove Gray, Red Rock, Dark Bronze or Black

**Glass options:**

Low E4 Tempered Impact Resistant, Low E4 Smart Sun Tempered Impact Resistant, Low E4 Sun Tempered Impact Resistant, Low E4 HeatLock Tempered Impact Resistant, Low E4 Smart Sun HeatLock Tempered Impact Resistant, Low E4 Sun HeatLock Tempered Impact Resistant, Laminated Monolithic in Gray or Clear

*To order, state:*

**Product ID (from product label, see [Service Guide 9051877](#))**

OR

1. Unit or frame size (FWHOD XXXX or frame W x H dimensions)
2. Description of part (Stationary Panel)
3. Exterior color of panel
4. Interior wood species of panel
5. Interior finish/color of panel
6. Glazing

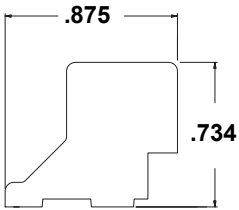
# A-Series Outswing Doors (2008 to Present)

A-Series Stormwatch® Protection (Coastal Product)

## Shared Panel Parts

### Glass Stops

#### Traditional Glass Stop - Rail & Stile / Laminated Monolithic



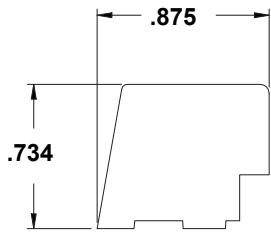
**Note:**

Glass stops for custom glazed doors are made to order. Product ID label is located on the top of the operating panel.

*To order, state:*

1. Description of Part (Glass Stop, Rail or Stile )
2. Unit Dimension (Width x Height)
3. Quantity
4. Product ID (from product label), see [Service Guide 9051877](#).

#### Contemporary Glass Stop - Rail & Stile / Laminated Monolithic



**Note:**

Glass stops for custom glazed doors are made to order. Product ID label is located on the top of the operating panel.

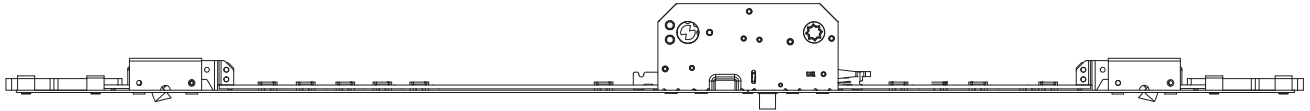
*To order, state:*

1. Description of Part (Glass Stop, Rail or Stile )
2. Unit Dimension (Width x Height)
3. Quantity
4. Product ID (from product label), see [Service Guide 9051877](#).

## Hardware

### Lock Mechanism (Impact Resistant) - Active

#### Lock Mechanism - 5-point / Active



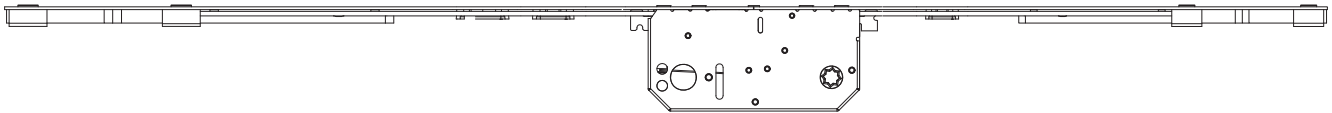
**Note:**

The 5-point active lock mechanism is used on double active Stormwatch™ (AP/PA) units. Single active Stormwatch units use the standard 3-point active lock mechanism [page 103](#)

Unit No.	Length	Order No.
FWH68	76 <sup>7</sup> / <sub>16</sub>	9014690
FWH611	79 <sup>5</sup> / <sub>16</sub>	9014691
FWH76	86 <sup>7</sup> / <sub>16</sub>	By Description
FWH80	92 <sup>7</sup> / <sub>16</sub>	9014692

### Lock Mechanism (Impact Resistant) - Passive

#### Lock Mechanism - / Passive



**Note:**

Impact Resistant units use the standard passive lock mechanism.

Unit No.	Length	Order No.
FWD68	76 <sup>7</sup> / <sub>16</sub>	9055469
FWD611	79 <sup>5</sup> / <sub>16</sub>	9055470
FWD76	86 <sup>7</sup> / <sub>16</sub>	By Description
FWD80	92 <sup>7</sup> / <sub>16</sub>	9055471

# A-Series Outswing Doors (2008 to Present)

A-Series Stormwatch® Protection (Coastal Product)

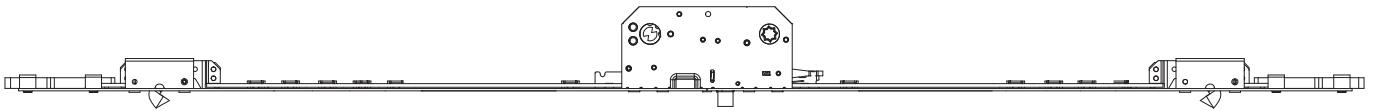
## Hardware

### Lock Mechanism (Impact Resistant) - Active / High Corrosion Resistant

**Note:** Edge of the door will have a clear 4 5/8 x 3/4 label.



### Lock Mechanism - 5-point / Active / High Corrosion Resistant



**Note:**

The 5-point active lock mechanism is used on double active Stormwatch™ (AP/PA) units. Single active Stormwatch units use the standard 3-point active lock mechanism. [page 104](#)

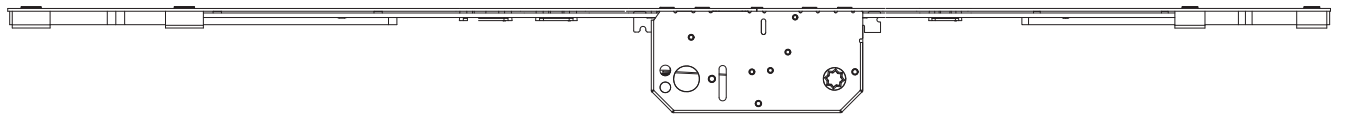
Unit No.	Length	Order No.
FWD68	76 <sup>7</sup> / <sub>16</sub>	9055466
FWD611	79 <sup>5</sup> / <sub>16</sub>	9055467
FWD76	86 <sup>7</sup> / <sub>16</sub>	By Description
FWD80	92 <sup>7</sup> / <sub>16</sub>	9055468

### Lock Mechanism (Impact Resistant) - Passive / High Corrosion Resistant

**Note:** Edge of the door will have a clear 4 5/8 x 3/4 label.



### Lock Mechanism - Passive / High Corrosion Resistant



Unit No.	Length	Order No.
FWD68	76 <sup>7</sup> / <sub>16</sub>	9055469
FWD611	79 <sup>5</sup> / <sub>16</sub>	9055470
FWD76	86 <sup>7</sup> / <sub>16</sub>	By Description
FWD80	92 <sup>7</sup> / <sub>16</sub>	9055471

## Sill

### Channel / Sill Drop Nose Kit (Impact Resistant)

#### Sill Drop Nose Channel with Screws

**Note:**

Sits horizontally on exterior edge of sill. Sizes over 96 inches will ship with two drop nose channels.

	Unit No.	Number of Hole	Length	Gray	Bronze
	<b>FWHID 21</b>	3	22 1/4	9017873	9017905
	<b>FWHID 27</b>	3	28 1/4	9017874	9017906
	<b>FWHID 29</b>	3	30 1/46	9017875	9017907
	<b>FWHID 31</b>	4	34 1/4	9017876	9017908
	<b>FWHID 33</b>	4	36 1/4	9017877	9017909
	<b>FWHID 40 - AP/PA</b>	4	45 7/16	9017878	9017910
	<b>FWHID 50 - AP/PA</b>	5	57 7/16	9017879	9017911
	<b>FWHID 54 - AP/PA</b>	5	61 7/16	9017880	9017912
	<b>FWHID 60 - AP/PA</b>	5	69 7/16	9017881	9017913
	<b>FWHID 64 - AP/PA</b>	5	73 7/16	9017882	9017914

#### End Cap / Sill Drop Nose

	<b>Gray</b>		<b>Black</b>	
	<b>Left</b>	<b>Right</b>	<b>Left</b>	<b>Right</b>
	9017989	9017990	9017991	9017992

#### Screw Package / Sill Drop Nose

**Note:**

FWD11 2-Weep Hole Covers, 1- LH and 1-RH End Cap and  
7-#8-15 x 1-1/4" 302 SS PH PN Screw

<b>Gray</b>	<b>Bronze</b>
9019761	9019762



Service Replacement

Service Replacement Only Parts

---

### Service Replacement Only Parts

**Note:**

This section is specifically designed for parts that should only be ordered if a Field Service Manager/Service Provider has requested them to be ordered or if the customer agrees to also pay for a non-warranty repair/replace service job (subject to availability) for these parts to be installed. We do not recommend anyone other than a trained AW employee or Service Provider install these parts due to the complexity of installation, modifications required for installation and/or requirement of special tools.

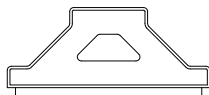
## Service Replacement Only Parts

### Exterior / Interior Grilles - Permanently Applied / Taped

**Note:**

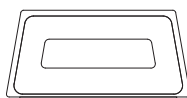
Permanently applied grilles can only be ordered by Andersen Field Service Representatives, Andersen Service Dealers and Providers. Contact your local [Andersen Service Provider](#)

### Exterior Grilles Permanently Applied - Taped / Chamfer A



Color	Length	3/4"	7/8"	1 1/8"	2 1/4"
White	96	1284329	1284330	1284331	1284332
Terratone	96	9011971	9011972	9011973	9011974
Sandtone	96	1284325	1284326	1284327	1284328
Forest Green	96	9011967	9011968	9011969	9011970
Canvas	96	1284357	1284358	1284359	1284360
Prairie Grass	96	9011991	9011992	9011993	9011994
Cocoa Bean	96	9011987	9011988	9011989	9011990
Dove Gray	96	9011983	9011984	9011985	9011986
Red Rock	96	9011975	9011976	9011977	9011978
Black	96	9011979	9011980	9011981	9011982
Dark Bronze	96	9020289	9020290	9020291	9020292
Unfinished	96	9011963	9011964	9011965	9011966

### Exterior Grilles Permanently Applied - Taped / Contemporary



Color	96"				144"			
	5/8"	3/4"	2 1/4"	3 1/2"	5/8"	3/4"	2 1/4"	3 1/2"
White	9192846	9189462	9189463	9189407	9192877	9189480	9189481	9192878
Terratone	9192852	9192853	9192854	9192855	9192885	9192886	9192887	9192888
Sandtone	9192845	9189460	9189461	9189406	9192875	9189478	9189479	9192876
Forest Green	9192848	9192849	9192850	9192851	9192881	9192882	9192883	9192884
Canvas	9192847	9189468	9189469	9189410	9192879	9189492	9189493	9192880
Prairie Grass	9192873	9189476	9189477	9189452	9192907	9189506	9189507	9192908
Cocoa Bean	9192869	9192870	9192871	9192872	9192903	9192904	9192905	9192906
Dove Gray	9192868	9189474	9189475	9189453	9192901	9189504	9189505	9192902
Red Rock	9192864	9192865	9192866	9192867	9192897	9192898	9192899	9192900
Black	9192860	9192861	9192862	9192863	9192893	9192894	9192895	9192896
Dark Bronze	9192856	9192857	9192858	9192859	9192889	9192890	9192891	9192892

# A-Series Outswing Doors (2008 to Present)

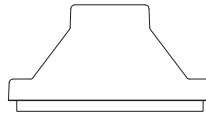
Service Replacement



## Service Replacement Only Parts

### Interior Grilles Permanently Applied - Taped / Chamfer A

**Note:**

Permanently applied grilles can only be ordered by Andersen Field Service Representatives, Andersen Service Dealers and Providers. Contact your local [Andersen Service Provider](#)



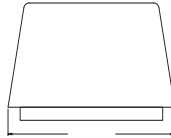
	Length	Pine			
		3/4"	7/8"	1 1/8"	2 1/4"
 <p>PINE</p>	22"	2321131	2321136	2321141	2321146
	34"	2321132	2321137	2321142	2321147
	44"	2321133	2321138	2321143	2321148
	60"	2321134	2321139	2321144	2321149
	84"	2321135	2321140	2321145	2321150
	Length	Oak			
		3/4"	7/8"	1 1/8"	2 1/4"
 <p>OAK</p>	22"	2321111	2321116	2321121	2321126
	34"	2321112	2321117	2321122	2321127
	44"	2321113	2321118	2321123	2321128
	60"	2321114	2321119	2321124	2321129
	84"	2321115	2321120	2321125	2321130
	Length	Maple			
		3/4"	7/8"	1 1/8"	2 1/4"
 <p>MAPLE</p>	22"	2321010	2321015	2321020	2321025
	34"	2321011	2321016	2321021	2321026
	44"	2321012	2321017	2321022	2321027
	60"	2321013	2321018	2321023	2321028
	84"	2321014	2321019	2321024	2321029




## Service Replacement Only Parts

### Interior Grilles Permanently Applied - Taped / Contemporary

**Note:**

Permanently applied grilles can only be ordered by Andersen Field Service Representatives, Andersen Service Dealers and Providers. Contact your local [Andersen Service Provider](#)



	Length	Quantity	Pine			
			5/8"	3/4"	2 1/4"	3 1/2"
	84"	12	9199226	9199227	9199228	9199229
	<b>Oak</b>					
	84"	12	9199222	9199223	9199224	9199225
	<b>Maple</b>					
	84"	12	9199218	9199219	9199220	9199221

# A-Series Outswing Doors (2008 to Present)

Service Replacement

## Service Replacement Only Parts

### Shims

#### Gasket Shim

**Order No.**

8286001

### Filler

**Note:**

Filler replacement is not recommended. Contact your local [Andersen Service Provider](#).

*To order, state:*

**Product ID (from product label, see [Service Guide 9051877](#))**

1. Unit or frame size (FWOD XXXX or frame W x H dimensions)
2. Panel Type (Active, Passive)
3. Panel Handing/Operation (Left, Right, AP, PA, PL, PR, Stat)
4. Filler Type (Top Rail, Bottom Rail, Lock Stile, Hinge Stile, Stationary Stile)
5. Color

#### Filler - Stile / Stationary

Unit No.	White	Terratone	Sandtone	Forest Green	Canvas	Prairie Grass
FWO68	OBD	OBD	OBD	OBD	OBD	OBD
FWO611	OBD	OBD	OBD	OBD	OBD	OBD
FWO80	OBD	OBD	OBD	OBD	OBD	OBD
Unit No.	Cocoa Bean	Dove Gray	Red Rock	Black	Dark Bronze	
FWO68	OBD	OBD	OBD	OBD	OBD	
FWO611	OBD	OBD	OBD	OBD	OBD	
FWO80	OBD	OBD	OBD	OBD	OBD	

#### Filler - Stile / Active/Passive Hinge

Unit No.	White	Terratone	Sandtone	Forest Green	Canvas	Prairie Grass
FWO68	OBD	OBD	OBD	OBD	OBD	OBD
FWO611	OBD	OBD	OBD	OBD	OBD	OBD
FWO80	OBD	OBD	OBD	OBD	OBD	OBD
Unit No.	Cocoa Bean	Dove Gray	Red Rock	Black	Dark Bronze	
FWO68	OBD	OBD	OBD	OBD	OBD	
FWO611	OBD	OBD	OBD	OBD	OBD	
FWO80	OBD	OBD	OBD	OBD	OBD	

#### Filler - Stile / Active/Passive Lock

Unit No.	White	Terratone	Sandtone	Forest Green	Canvas	Prairie Grass
FWO68	OBD	OBD	OBD	OBD	OBD	OBD
FWO611	OBD	OBD	OBD	OBD	OBD	OBD
FWO80	OBD	OBD	OBD	OBD	OBD	OBD
Unit No.	Cocoa Bean	Dove Gray	Red Rock	Black	Dark Bronze	
FWO68	OBD	OBD	OBD	OBD	OBD	
FWO611	OBD	OBD	OBD	OBD	OBD	
FWO80	OBD	OBD	OBD	OBD	OBD	

### Service Replacement Only Parts

Filler - Bottom Rail / Stationary/Active/Passive							
Unit No.	White	Terratone	Sandtone	Forest Green	Canvas	Prairie Grass	
FWO21	OBD	OBD	OBD	OBD	OBD	OBD	OBD
FWO27	OBD	OBD	OBD	OBD	OBD	OBD	OBD
FWO29	OBD	OBD	OBD	OBD	OBD	OBD	OBD
FWO31	OBD	OBD	OBD	OBD	OBD	OBD	OBD
Unit No.	Cocoa Bean	Dove Gray	Red Rock	Black	Dark Bronze		
FWO21	OBD	OBD	OBD	OBD	OBD	OBD	OBD
FWO27	OBD	OBD	OBD	OBD	OBD	OBD	OBD
FWO29	OBD	OBD	OBD	OBD	OBD	OBD	OBD
FWO31	OBD	OBD	OBD	OBD	OBD	OBD	OBD
Filler - Top Rail / Stationary/Active/Passive							
Unit No.	White	Terratone	Sandtone	Forest Green	Canvas	Prairie Grass	
FWO21	OBD	OBD	OBD	OBD	OBD	OBD	OBD
FWO27	OBD	OBD	OBD	OBD	OBD	OBD	OBD
FWO29	OBD	OBD	OBD	OBD	OBD	OBD	OBD
FWO31	OBD	OBD	OBD	OBD	OBD	OBD	OBD
Unit No.	Cocoa Bean	Dove Gray	Red Rock	Black	Dark Bronze		
FWO21	OBD	OBD	OBD	OBD	OBD	OBD	OBD
FWO27	OBD	OBD	OBD	OBD	OBD	OBD	OBD
FWO29	OBD	OBD	OBD	OBD	OBD	OBD	OBD
FWO31	OBD	OBD	OBD	OBD	OBD	OBD	OBD