

<b>What's in This Section</b>
-------------------------------

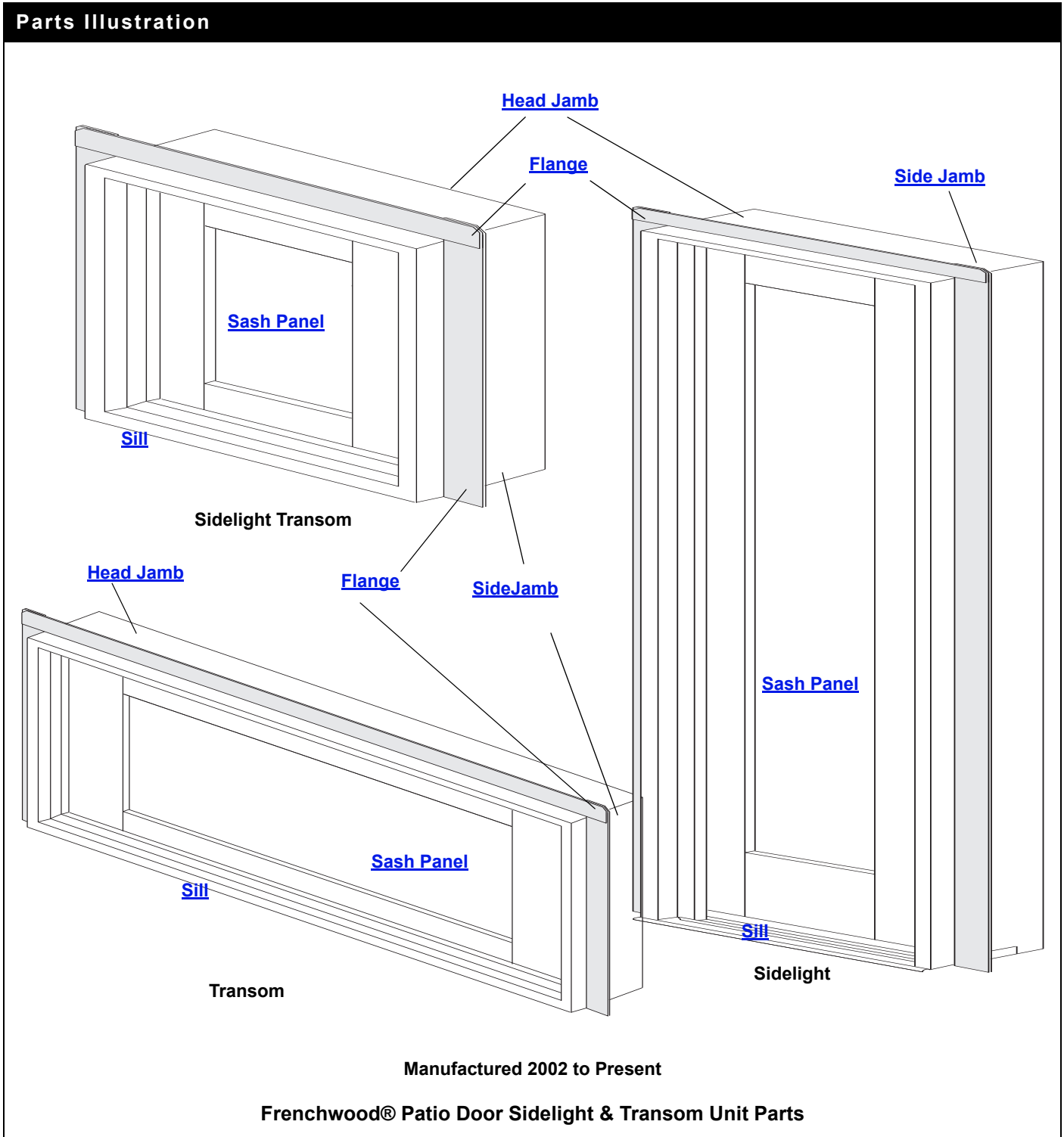
<b>Sidelights &amp; Transoms</b> .....	<b>Page 3</b>
<b>Parts Illustration</b> .....	<b>3</b>
<b>Unit Sizes</b> .....	<b>4</b>
Standard and Custom Window/Door Sizes .....	4
400 Series Product Label .....	4
Unit Size Chart .....	5
<b>Product History</b> .....	<b>6</b>
Milestones .....	6
<b>Panels</b> .....	<b>7</b>
Size Table .....	7
Panels - Sidelight .....	9
Panels - Sidelight Transom .....	11
Panels - Transom .....	13
Panel Installation Clips .....	16
<b>Grilles</b> .....	<b>17</b>
Grilles - 7/8" Wood .....	17
<b>Frames</b> .....	<b>18</b>
Glass Stops .....	18
Panel Stops .....	19
Weatherstrip - Sidelight / Side Jambs .....	20
Mull Transom Posts .....	20
Mull Transom Covers .....	20
Mull Post Trim .....	20
Flanges .....	21
Oak Step Sills .....	22
Extension Jambs - Exterior .....	23
<b>Joining Components</b> .....	<b>24</b>
Fiberglass Joining Exploded View .....	24
Fiberglass Joining Kits .....	25
Fiberglass Joining Hardware Kits .....	26
Fiberglass Joining Kit Components .....	27
Narrow Mull Joining Kits .....	31
Support Mull Joining Kits .....	32
Vintage LVL* Reinforced Joining Components .....	33
<b>Art Glass Components</b> .....	<b>35</b>
Trim Stops - Art Glass .....	35
Art Glass Hardware .....	35

<b>Stormwatch® Protection (Coastal Product)</b> .....	<b>Page 37</b>
<b>Sash (Impact Resistant)</b> .....	<b>37</b>
Panels - Sidelight .....	37
Panels - Sidelight Transom .....	40
Panels - Transom .....	43
<b>Frames (Impact Resistant)</b> .....	<b>48</b>
Glass Stops (Impact Resistant) .....	48
<b>Service Replacement</b> .....	<b>Page 49</b>
<b>Service Replacement Only Parts</b> .....	<b>49</b>
Service Replacement Only Parts .....	49
Frames .....	49
Jambs .....	49
Sills .....	49
Exterior Grilles - HDN .....	50

# 400 Series Frenchwood® Patio Door Sidelights & Transoms

## Sidelights & Transoms

### Parts Illustration



## Unit Sizes

### Standard and Custom Window/Door Sizes

**Note:**

Sidelight and Transom units are available in standard sizes. Replacement parts for some standard windows/doors can be ordered using the numbers listed in this catalog. Some replacement parts for standard windows/doors are made to order. These items are ordered using the Product ID found on the identification label and a description of the part needed. See [Service Guide 9051877](#))

Sidelight and Transom units are also available in custom sizes in 1/8" increments between the smallest and the largest standard sizes. Most replacement parts for custom-sized windows/doors are made to order and can be ordered with the Product ID found on the identification label and a description of the part needed. See [Service Guide 9051877](#))

### 400 Series Product Label

**Note:**

Some Sidelight and Transom units will have an identification label or glass etching containing a unique Product ID. The Product ID on Sidelight and Transom units will be located at the bottom of the window frame or etched into the glass. See [Service Guide 9051877](#).)The Product ID may be up to 14 digits long (excluding hyphens), depending on the age of the unit. Replacement parts will also get their own unique Product ID. When ordering replacement parts, providing the Product ID ensures that replacement parts match the specifications.

# 400 Series Frenchwood® Patio Door Sidelights & Transoms

Sidelights & Transoms

## Unit Sizes

### Unit Size Chart

**Note:**

Unit Dimension refers to overall outside-to-outside frame. Unobstructed Glass refers to visible glass dimensions. Numbers in parentheses are metric measurements. See latest [Product Details](#).

**Table of Basic Sidelight and Transom Unit Sizes**

Unit Dimension	1'2 13/16"	1'6 13/16"	2'0 1/2"	2'6 1/8"	2'8 1/8"	3'0 1/8"	4'-0"	4'-11 1/4"	5'-3 3/4"	5'-11 1/4"
	(376)	(478)	(622)	(765)	(816)	(918)	(1219)	(1505)	(1607)	(1810)
<b>Minimum Rough Opening</b>	1'3 1/2"	1'7 1/2"	2'-1"	2'-7"	2'-9"	3'-1"	4'-1"	5'-0"	5'-4"	6'-0"
	(394)	(495)	(635)	(787)	(838)	(940)	(1245)	(1524)	(1626)	(1829)
Unobstructed Glass	6 3/8"	10 3/8"	13 5/16"	18 15/16"	20 15/16"	24 15/16"	36 13/16"	48 1/16"	52 1/16"	60 1/16"
	(162)	(264)	(338)	(481)	(532)	(633)	(935)	(1221)	(1322)	(1526)
Unobstructed Glass (2-wide units)							13 5/16" x 13 5/16"	18 15/16" x 18 15/16"	20 15/16" x 20 15/16"	24 15/16" x 24 15/16"
							(338) (338)	(481) (481)	(532) (532)	(633) (633)

<p>Unit Dimension: 1'0 15/16" (325)</p> <p>Minimum Rough Opening: 1'1 1/2" (343)</p> <p>Unobstructed Glass: 4 3/8" (111)</p> <p>Unit Dimension: 1'5 13/16" (452)</p> <p>Minimum Rough Opening: 1'6 1/2" (470)</p> <p>Unobstructed Glass: 9 3/8" (238)</p> <p>Unit Dimension: 1'9 13/16" (554)</p> <p>Minimum Rough Opening: 1'10 1/2" (572)</p> <p>Unobstructed Glass: 13 3/8" (340)</p>	<p><b>FWSLT 1311</b></p> <p><b>FWSLT 1711</b></p>	<p><b>FWT 2111</b></p> <p><b>FWT 2711</b></p> <p><b>FWT 2911</b></p> <p><b>FWT 3111</b></p> <p><b>FWT 4111</b></p> <p><b>FWT 5011</b></p> <p><b>FWT 5411</b></p> <p><b>FWT 6011</b></p>	<p><b>FWSLT 1316</b></p> <p><b>FWSLT 1716</b></p>	<p><b>FWT 2116</b></p> <p><b>FWT 2716</b></p> <p><b>FWT 2916</b></p> <p><b>FWT 3116</b></p> <p><b>FWT 4116</b></p> <p><b>FWT 5016</b></p> <p><b>FWT 5416</b></p> <p><b>FWT 6016</b></p>	<p><b>FWSLT 13110</b></p> <p><b>FWSLT 17110</b></p>	<p><b>FWT 21110</b></p> <p><b>FWT 27110</b></p> <p><b>FWT 29110</b></p> <p><b>FWT 31110</b></p> <p><b>FWT 41110</b></p> <p><b>FWT 50110</b></p> <p><b>FWT 54110</b></p> <p><b>FWT 60110</b></p>	<p><b>FWT -2-4111</b></p> <p><b>FWT -2-5011</b></p> <p><b>FWT -2-5411</b></p> <p><b>FWT -2-6011</b></p>	<p><b>FWT -2-4116</b></p> <p><b>FWT -2-5016</b></p> <p><b>FWT -2-5416</b></p> <p><b>FWT -2-6016</b></p>	<p><b>FWT -2-41110</b></p> <p><b>FWT -2-50110</b></p> <p><b>FWT -2-54110</b></p> <p><b>FWT -2-60110</b></p>
<p>Unit Dimension: 6'-7 1/2" (2019)</p> <p>Minimum Rough Opening: 6'-8" (2032)</p> <p>Unobstructed Glass: 63 7/16" (1611)</p>	<p><b>FWSL 1368</b></p> <p><b>FWSL 1768</b></p>								
<p>Unit Dimension: 6'-10 3/8" (2092)</p> <p>Minimum Rough Opening: 6'-11" (2108)</p> <p>Unobstructed Glass: 66 5/16" (1684)</p>	<p><b>FWSL 13611</b></p> <p><b>FWSL 17611</b></p>								
<p>Unit Dimension: 7'-11 1/2" (2426)</p> <p>Minimum Rough Opening: 8'-0" (2438)</p> <p>Unobstructed Glass: 79 7/16" (2018)</p>	<p><b>FWSL 1380</b></p> <p><b>FWSL 1780</b></p>								

Manufactured 2001 to Present

## Frenchwood® Patio Door Sidelight & Transom Unit Sizes

*Unit viewed from exterior.*

## Product History

---

### Milestones

- 2012** Decommission of Andersen® 400 Series Frenchwood® Patio Doors with Stormwatch® Protection.
- 2003** Stormwatch™ Protection (Coastal Product) with design pressure upgrades, glass options, and structural enhancements introduced for Sidelight & Transom for Frenchwood Hinged units.
- 2002** Sidelight & Transom units for Frenchwood® Hinged Doors introduced.

# 400 Series Frenchwood® Patio Door Sidelights & Transoms

Sidelights & Transoms

## Panels

### Size Table

#### Size Table - Sidelight (FWSL)

**Note:**

Panel Dimension is measured outside edge to outside edge of frame.

Unobstructed Glass is dimension from outside edge to outside edge of visible glass only.

Actual Glass is dimension of outside edge to outside edge of glass, including glass that is not visible.

Unit No.	Panel Dimension (w x h)	Unobstructed Glass (w x h)	Actual Glass (w x h)
FWSL1368	11 <sup>15</sup> / <sub>16</sub> × 76 <sup>1</sup> / <sub>2</sub>	6 <sup>3</sup> / <sub>8</sub> × 63 <sup>7</sup> / <sub>16</sub>	7 <sup>1</sup> / <sub>2</sub> × 64 <sup>9</sup> / <sub>16</sub>
FWSL13611	11 <sup>15</sup> / <sub>16</sub> × 79 <sup>3</sup> / <sub>8</sub>	6 <sup>3</sup> / <sub>8</sub> × 66 <sup>5</sup> / <sub>16</sub>	7 <sup>1</sup> / <sub>2</sub> × 67 <sup>7</sup> / <sub>16</sub>
FWSL1380	11 <sup>15</sup> / <sub>16</sub> × 92 <sup>1</sup> / <sub>2</sub>	6 <sup>3</sup> / <sub>8</sub> × 79 <sup>7</sup> / <sub>16</sub>	7 <sup>1</sup> / <sub>2</sub> × 80 <sup>9</sup> / <sub>16</sub>
FWSL1768	15 <sup>15</sup> / <sub>16</sub> × 76 <sup>1</sup> / <sub>2</sub>	10 <sup>3</sup> / <sub>8</sub> × 63 <sup>7</sup> / <sub>16</sub>	11 <sup>1</sup> / <sub>2</sub> × 64 <sup>9</sup> / <sub>16</sub>
FWSL17611	15 <sup>15</sup> / <sub>16</sub> × 79 <sup>3</sup> / <sub>8</sub>	10 <sup>3</sup> / <sub>8</sub> × 66 <sup>5</sup> / <sub>16</sub>	11 <sup>1</sup> / <sub>2</sub> × 67 <sup>7</sup> / <sub>16</sub>
FWSL1780	15 <sup>15</sup> / <sub>16</sub> × 92 <sup>1</sup> / <sub>2</sub>	10 <sup>3</sup> / <sub>8</sub> × 79 <sup>7</sup> / <sub>16</sub>	11 <sup>1</sup> / <sub>2</sub> × 80 <sup>9</sup> / <sub>16</sub>

#### Size Table - Sidelight Transom (FWSLT)

**Note:**

Panel Dimension is measured outside edge to outside edge of frame.

Unobstructed Glass is dimension from outside edge to outside edge of visible glass only.

Actual Glass is dimension of outside edge to outside edge of glass, including glass that is not visible.

Unit No.	Panel Dimension (w x h)	Unobstructed Glass (w x h)	Actual Glass (w x h)
FWSLT1311	11 <sup>15</sup> / <sub>16</sub> × 9 <sup>15</sup> / <sub>16</sub>	6 <sup>3</sup> / <sub>8</sub> × 4 <sup>3</sup> / <sub>8</sub>	7 <sup>1</sup> / <sub>2</sub> × 5 <sup>1</sup> / <sub>2</sub>
FWSLT1316	11 <sup>15</sup> / <sub>16</sub> × 14 <sup>15</sup> / <sub>16</sub>	6 <sup>3</sup> / <sub>8</sub> × 6 <sup>3</sup> / <sub>8</sub>	7 <sup>1</sup> / <sub>2</sub> × 10 <sup>1</sup> / <sub>2</sub>
FWSLT13110	11 <sup>15</sup> / <sub>16</sub> × 18 <sup>15</sup> / <sub>16</sub>	6 <sup>3</sup> / <sub>8</sub> × 13 <sup>3</sup> / <sub>8</sub>	7 <sup>1</sup> / <sub>2</sub> × 14 <sup>1</sup> / <sub>2</sub>
FWSLT1711	15 <sup>15</sup> / <sub>16</sub> × 9 <sup>15</sup> / <sub>16</sub>	10 <sup>3</sup> / <sub>8</sub> × 4 <sup>3</sup> / <sub>8</sub>	11 <sup>1</sup> / <sub>2</sub> × 5 <sup>1</sup> / <sub>2</sub>
FWSLT1716	15 <sup>15</sup> / <sub>16</sub> × 14 <sup>15</sup> / <sub>16</sub>	10 <sup>3</sup> / <sub>8</sub> × 6 <sup>3</sup> / <sub>8</sub>	11 <sup>1</sup> / <sub>2</sub> × 10 <sup>1</sup> / <sub>2</sub>
FWSLT17110	15 <sup>15</sup> / <sub>16</sub> × 18 <sup>15</sup> / <sub>16</sub>	10 <sup>3</sup> / <sub>8</sub> × 13 <sup>3</sup> / <sub>8</sub>	11 <sup>1</sup> / <sub>2</sub> × 14 <sup>1</sup> / <sub>2</sub>

## Panels

Size Table - Transom (FWT)			
<b>Note:</b>			
Panel Dimension is measured outside edge to outside edge of frame.			
Unobstructed Glass is dimension from outside edge to outside edge of visible glass only.			
Actual Glass is dimension of outside edge to outside edge of glass, including glass that is not visible.			
Unit No.	Panel Dimension (w x h)	Unobstructed Glass (w x h)	Actual Glass (w x h)
FWT2111	21 <sup>3</sup> / <sub>8</sub> × 9 <sup>15</sup> / <sub>16</sub>	13 <sup>5</sup> / <sub>16</sub> × 4 <sup>3</sup> / <sub>8</sub>	14 <sup>1</sup> / <sub>2</sub> × 5 <sup>1</sup> / <sub>2</sub>
FWT2116	21 <sup>3</sup> / <sub>8</sub> × 14 <sup>15</sup> / <sub>16</sub>	13 <sup>5</sup> / <sub>16</sub> × 9 <sup>3</sup> / <sub>8</sub>	14 <sup>1</sup> / <sub>2</sub> × 10 <sup>1</sup> / <sub>2</sub>
FWT21110	21 <sup>3</sup> / <sub>8</sub> × 18 <sup>15</sup> / <sub>16</sub>	13 <sup>5</sup> / <sub>16</sub> × 13 <sup>3</sup> / <sub>8</sub>	14 <sup>1</sup> / <sub>2</sub> × 14 <sup>1</sup> / <sub>2</sub>
FWT2711	27 <sup>1</sup> / <sub>4</sub> × 9 <sup>15</sup> / <sub>16</sub>	18 <sup>15</sup> / <sub>16</sub> × 4 <sup>3</sup> / <sub>8</sub>	20 <sup>1</sup> / <sub>8</sub> × 5 <sup>1</sup> / <sub>2</sub>
FWT2716	27 <sup>1</sup> / <sub>4</sub> × 14 <sup>15</sup> / <sub>16</sub>	18 <sup>15</sup> / <sub>16</sub> × 9 <sup>3</sup> / <sub>8</sub>	20 <sup>1</sup> / <sub>8</sub> × 10 <sup>1</sup> / <sub>2</sub>
FWT27110	27 <sup>1</sup> / <sub>4</sub> × 18 <sup>15</sup> / <sub>16</sub>	18 <sup>15</sup> / <sub>16</sub> × 13 <sup>3</sup> / <sub>8</sub>	20 <sup>1</sup> / <sub>8</sub> × 14 <sup>1</sup> / <sub>2</sub>
FWT2911	29 <sup>1</sup> / <sub>4</sub> × 9 <sup>15</sup> / <sub>16</sub>	20 <sup>15</sup> / <sub>16</sub> × 4 <sup>3</sup> / <sub>8</sub>	22 <sup>1</sup> / <sub>8</sub> × 5 <sup>1</sup> / <sub>2</sub>
FWT2916	29 <sup>1</sup> / <sub>4</sub> × 14 <sup>15</sup> / <sub>16</sub>	20 <sup>15</sup> / <sub>16</sub> × 9 <sup>3</sup> / <sub>8</sub>	22 <sup>1</sup> / <sub>8</sub> × 10 <sup>1</sup> / <sub>2</sub>
FWT29110	29 <sup>1</sup> / <sub>4</sub> × 18 <sup>15</sup> / <sub>16</sub>	20 <sup>15</sup> / <sub>16</sub> × 13 <sup>3</sup> / <sub>8</sub>	22 <sup>1</sup> / <sub>8</sub> × 14 <sup>1</sup> / <sub>2</sub>
FWT3111	33 <sup>1</sup> / <sub>4</sub> × 9 <sup>15</sup> / <sub>16</sub>	24 <sup>15</sup> / <sub>16</sub> × 4 <sup>3</sup> / <sub>8</sub>	26 <sup>1</sup> / <sub>8</sub> × 5 <sup>1</sup> / <sub>2</sub>
FWT3116	33 <sup>1</sup> / <sub>4</sub> × 14 <sup>15</sup> / <sub>16</sub>	24 <sup>15</sup> / <sub>16</sub> × 9 <sup>3</sup> / <sub>8</sub>	26 <sup>1</sup> / <sub>8</sub> × 10 <sup>1</sup> / <sub>2</sub>
FWT31110	33 <sup>1</sup> / <sub>4</sub> × 18 <sup>15</sup> / <sub>16</sub>	24 <sup>15</sup> / <sub>16</sub> × 13 <sup>3</sup> / <sub>8</sub>	26 <sup>1</sup> / <sub>8</sub> × 14 <sup>1</sup> / <sub>2</sub>
FWT4111	45 <sup>1</sup> / <sub>8</sub> × 9 <sup>15</sup> / <sub>16</sub>	36 <sup>13</sup> / <sub>16</sub> × 4 <sup>3</sup> / <sub>8</sub>	38 × 5 <sup>1</sup> / <sub>2</sub>
FWT4116	45 <sup>1</sup> / <sub>8</sub> × 14 <sup>15</sup> / <sub>16</sub>	36 <sup>13</sup> / <sub>16</sub> × 9 <sup>3</sup> / <sub>8</sub>	38 × 10 <sup>1</sup> / <sub>2</sub>
FWT41110	45 <sup>1</sup> / <sub>8</sub> × 18 <sup>15</sup> / <sub>16</sub>	36 <sup>13</sup> / <sub>16</sub> × 13 <sup>3</sup> / <sub>8</sub>	38 × 14 <sup>1</sup> / <sub>2</sub>
FWT5011	56 <sup>3</sup> / <sub>8</sub> × 9 <sup>15</sup> / <sub>16</sub>	48 <sup>1</sup> / <sub>16</sub> × 4 <sup>3</sup> / <sub>8</sub>	49 <sup>1</sup> / <sub>4</sub> × 5 <sup>1</sup> / <sub>2</sub>
FWT5016	56 <sup>3</sup> / <sub>8</sub> × 14 <sup>15</sup> / <sub>16</sub>	48 <sup>1</sup> / <sub>16</sub> × 9 <sup>3</sup> / <sub>8</sub>	49 <sup>1</sup> / <sub>4</sub> × 10 <sup>1</sup> / <sub>2</sub>
FWT50110	56 <sup>3</sup> / <sub>8</sub> × 18 <sup>15</sup> / <sub>16</sub>	48 <sup>1</sup> / <sub>16</sub> × 13 <sup>3</sup> / <sub>8</sub>	49 <sup>1</sup> / <sub>4</sub> × 14 <sup>1</sup> / <sub>2</sub>
FWT5411	60 <sup>3</sup> / <sub>8</sub> × 9 <sup>15</sup> / <sub>16</sub>	52 <sup>1</sup> / <sub>16</sub> × 4 <sup>3</sup> / <sub>8</sub>	53 <sup>1</sup> / <sub>4</sub> × 5 <sup>1</sup> / <sub>2</sub>
FWT5416	60 <sup>3</sup> / <sub>8</sub> × 14 <sup>15</sup> / <sub>16</sub>	52 <sup>1</sup> / <sub>16</sub> × 9 <sup>3</sup> / <sub>8</sub>	53 <sup>1</sup> / <sub>4</sub> × 10 <sup>1</sup> / <sub>2</sub>
FWT54110	60 <sup>3</sup> / <sub>8</sub> × 18 <sup>15</sup> / <sub>16</sub>	52 <sup>1</sup> / <sub>16</sub> × 13 <sup>3</sup> / <sub>8</sub>	53 <sup>1</sup> / <sub>4</sub> × 14 <sup>1</sup> / <sub>2</sub>
FWT6011	68 <sup>3</sup> / <sub>8</sub> × 9 <sup>15</sup> / <sub>16</sub>	60 <sup>1</sup> / <sub>16</sub> × 4 <sup>3</sup> / <sub>8</sub>	61 <sup>1</sup> / <sub>4</sub> × 5 <sup>1</sup> / <sub>2</sub>
FWT6016	68 <sup>3</sup> / <sub>8</sub> × 14 <sup>15</sup> / <sub>16</sub>	60 <sup>1</sup> / <sub>16</sub> × 9 <sup>3</sup> / <sub>8</sub>	61 <sup>1</sup> / <sub>4</sub> × 10 <sup>1</sup> / <sub>2</sub>
FWT60110	68 <sup>3</sup> / <sub>8</sub> × 18 <sup>15</sup> / <sub>16</sub>	60 <sup>1</sup> / <sub>16</sub> × 13 <sup>3</sup> / <sub>8</sub>	61 <sup>1</sup> / <sub>4</sub> × 14 <sup>1</sup> / <sub>2</sub>

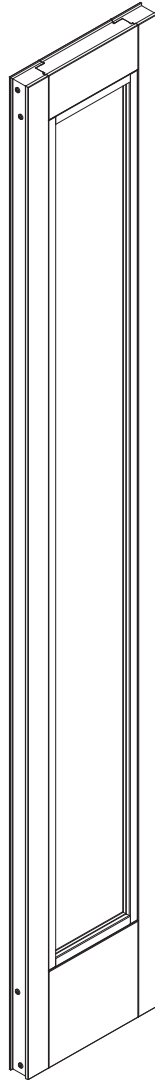


# 400 Series Frenchwood® Patio Door Sidelights & Transoms

*Sidelights & Transoms*

## Panels

### Panels - Sidelight



**Frenchwood® Sidelight Panel**

#### Panel - Sidelight / High-Performance™ Low-E4® / Oak Interior

	Unit No.	Oak Interior/ White Exterior	Oak Interior/ Terratone Exterior	Oak Interior/ Sandtone Exterior	Oak Interior/ Forest Green Exterior
	<b>FWSL1368</b>	By description	By description	By description	By description
	<b>FWSL13611</b>	By description	By description	By description	By description
	<b>FWSL1380</b>	By description	By description	By description	By description
	<b>FWSL1768</b>	By description	By description	By description	By description
	<b>FWSL17611</b>	By description	By description	By description	By description
	<b>FWSL1780</b>	By description	By description	By description	By description

## Panels

<b>Panel - Sidelight / High-Performance™ Low-E4® Tempered / Pine Interior</b>					
	<b>Unit No.</b>	<b>Pine Interior/ White Exterior</b>	<b>Pine Interior/ Terratone Exterior</b>	<b>Pine Interior/ Sandtone Exterior</b>	<b>Pine Interior/ Forest Green Exterior</b>
	<b>FWSL1368</b>	2508215	By description	By description	By description
	<b>FWSL13611</b>	By description	By description	By description	By description
	<b>FWSL1380</b>	By description	By description	By description	By description
	<b>FWSL1768</b>	2508216	By description	By description	By description
	<b>FWSL17611</b>	By description	By description	By description	By description
	<b>FWSL1780</b>	By description	By description	By description	By description
<b>Panel - Sidelight / High-Performance™ Low-E4® Tempered / Maple Interior</b>					
<b>Note:</b> Available by description.					
<b>Panel - Sidelight / High-Performance™ Low-E4® Tempered / Oak Interior</b>					
<b>Note:</b> Available by description.					
<b>Panel - Sidelight / High-Performance™ Low-E4® Tempered / Prefinished Interior White</b>					
<b>Note:</b> Available by description.					

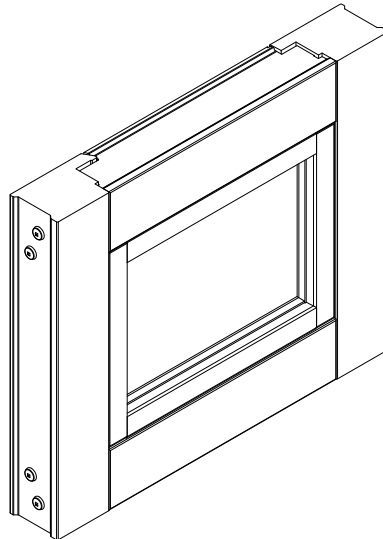
<b>Panel - Sidelight / High-Performance™ Low-E4® Tempered Finelight™ / Pine Interior</b>					
<b>Note:</b> Available by description.					
<b>Panel - Sidelight / High-Performance™ Low-E4® Tempered Finelight™ / Maple Interior</b>					
<b>Note:</b> Available by description.					
<b>Panel - Sidelight / High-Performance™ Low-E4® Tempered Finelight™ / Oak Interior</b>					
<b>Note:</b> Available by description.					
<b>Panel - Sidelight / High-Performance™ Low-E4® Tempered Finelight™ / White Interior</b>					
<b>Note:</b> Available by description.					

# 400 Series Frenchwood® Patio Door Sidelights & Transoms

Sidelights & Transoms

## Panels

### Panels - Sidelight Transom



Frenchwood® Sidelight Transom Panel

#### Panel - Sidelight Transom / High-Performance™ Low-E4® / Pine Interior

**Note:**  
Available by description.

#### Panel - Sidelight Transom / High-Performance™ Low-E4® / Maple Interior

**Note:**  
Available by description.

#### Panel - Sidelight Transom / High-Performance™ Low-E4® / Oak Interior

**Note:**  
Available by description.

#### Panel - Sidelight Transom / High-Performance™ Low-E4® / White Interior

**Note:**  
Available by description.

#### Panel - Sidelight Transom / High-Performance™ Low-E4® Sun 3/ Pine Interior

**Note:**  
Available by description.

#### Panel - Sidelight Transom / High-Performance™ Low-E4® Sun 3 / Maple Interior

**Note:**  
Available by description.

#### Panel - Sidelight Transom / High-Performance™ Low-E4® Sun 3 / Oak Interior

**Note:**  
Available by description.

#### Panel - Sidelight Transom / High-Performance™ Low-E4® Sun 3/ White Interior

**Note:**  
Available by description.

## Panels

---

### Panel - Sidelight Transom / High-Performance™ Sun II

**Note:**

Available by description.

### Panel - Sidelight Transom / High-Performance™ Low-E4® Sun 3 Tempered / Pine Interior

**Note:**

Available by description.

### Panel - Sidelight Transom / High-Performance™ Low-E4® Sun 3 Tempered / Maple Interior

**Note:**

Available by description.

### Panel - Sidelight Transom / High-Performance™ Low-E4® Sun 3 Tempered / Oak Interior

**Note:**

Available by description.

### Panel - Sidelight Transom / High-Performance™ Low-E4® Sun 3 Tempered / White Interior

**Note:**

Available by description.

### Panel - Sidelight Transom / High-Performance™ Sun II Tempered

**Note:**

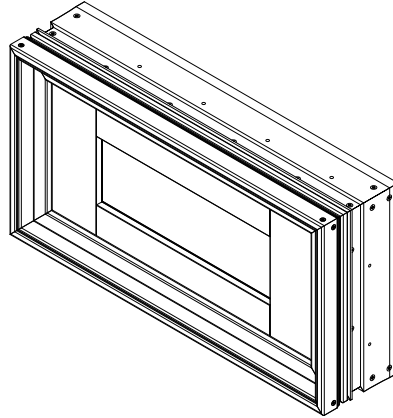
Available by description.

# 400 Series Frenchwood® Patio Door Sidelights & Transoms

Sidelights & Transoms

## Panels

### Panels - Transom



Frenchwood® Transom Panel

#### Panel - Transom / High-Performance™ Low-E4® / Pine Interior

Unit No.	Pine Interior/ White Exterior	Pine Interior/ Terratone Exterior	Pine Interior/ Sandtone Exterior	Pine Interior/ Forest Green Exterior
FWT2111	By description	By description	By description	By description
FWT2116	By description	By description	By description	By description
FWT21110	By description	By description	By description	By description
FWT2711	By description	By description	By description	By description
FWT2716	By description	By description	By description	By description
FWT27110	By description	By description	By description	By description
FWT2911	By description	By description	By description	By description
FWT2916	By description	By description	By description	By description
FWT29110	By description	By description	By description	By description
FWT3111	By description	By description	By description	By description
FWT3116	By description	By description	By description	By description
FWT31110	2508238	By description	By description	By description
FWT4111	By description	By description	By description	By description
FWT4116	By description	By description	By description	By description
FWT41110	By description	By description	By description	By description
FWT5011	By description	By description	By description	By description
FWT5016	By description	By description	By description	By description
FWT50110	By description	By description	By description	By description
FWT5411	By description	By description	By description	By description
FWT5416	By description	By description	By description	By description
FWT54110	By description	By description	By description	By description
FWT6011	2508248	By description	By description	By description
FWT6016	By description	By description	By description	By description
FWT60110	By description	By description	By description	By description

## Panels

---

**Panel - Transom / High-Performance™ Low-E4® / Maple Interior****Note:**

Available by description.

**Panel - Transom / High-Performance™ Low-E4® / Oak Interior****Note:**

Available by description.

**Panel - Transom / High-Performance™ Low-E4® / White Interior****Note:**

Available by description.

**Panel - Transom / High-Performance™ Low-E4® Sun 3 / Pine Interior****Note:**

Available by description.

**Panel - Transom / High-Performance™ Low-E4® Sun 3 / Maple Interior****Note:**

Available by description.

**Panel - Transom / High-Performance™ Low-E4® Sun 3 / Oak Interior****Note:**

Available by description.

**Panel - Transom / High-Performance™ Low-E4® Sun 3 / White Interior****Note:**

Available by description.

**Panel - Transom / High-Performance™ Sun II****Note:**

Available by description.

# 400 Series Frenchwood® Patio Door Sidelights & Transoms

Sidelights & Transoms

## Panels

### Panel - Transom / High-Performance™ Low-E4® Finelight™ / Pine Interior

Unit No.	Pine Interior/ White Exterior	Pine Interior/ Terratone Exterior	Pine Interior/ Sandtone Exterior	Pine Interior/ Forest Green Exterior
FWT2111	By description	By description	By description	By description
FWT2116	By description	By description	By description	By description
FWT21110	By description	By description	By description	By description
FWT2711	By description	By description	By description	By description
FWT2716	By description	By description	By description	By description
FWT27110	By description	By description	By description	By description
FWT2911	By description	By description	By description	By description
FWT2916	By description	By description	By description	By description
FWT29110	By description	By description	By description	By description
FWT3111	By description	By description	By description	By description
FWT3116	By description	By description	By description	By description
FWT31110	2508938	By description	By description	By description
FWT4111	By description	By description	By description	By description
FWT4116	By description	By description	By description	By description
FWT41110	By description	By description	By description	By description
FWT5011	By description	By description	By description	By description
FWT5016	By description	By description	By description	By description
FWT50110	By description	By description	By description	By description
FWT5411	By description	By description	By description	By description
FWT5416	By description	By description	By description	By description
FWT54110	By description	By description	By description	By description
FWT6011	By description	By description	By description	By description
FWT6016	By description	By description	By description	By description
FWT60110	By description	By description	By description	By description

### Panel - Transom / High-Performance™ Low-E4® Finelight™ / Maple Interior

**Note:**  
Available by description.

### Panel - Transom / High-Performance™ Low-E4® Finelight™ / Oak Interior

**Note:**  
Available by description.

### Panel - Transom / High-Performance™ Low-E4® Finelight™ / White Interior

**Note:**  
Available by description.

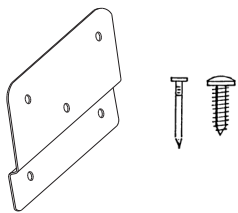
## Panels

### Panel Installation Clips

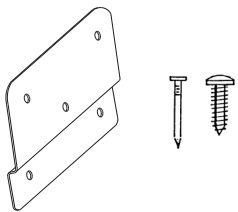
**Note:**

Panel installation clips are required for installation. They must be ordered separately.

#### Installation Clip Package

	<p><b>Package includes:</b> 12 clips, 24 screws, and 36 nails</p>	<p><b>Order No.</b> 1359408</p>
---	---	-------------------------------------

#### Installation Clip

		<p><b>Order No.</b> 1525012</p>
--	--	-------------------------------------



# 400 Series Frenchwood® Patio Door Sidelights & Transoms

Sidelights & Transoms

## Grilles

### Grilles - 7/8" Wood

**Note:**

Grilles are single bar grilles. Grilles include fasteners.

#### Grille - 7/8" Wood / Pine Interior

Unit No.	Length	Pine Interior/ White Exterior	Pine Interior/ Terratone Exterior	Pine Interior/ Sandtone Exterior	Pine Interior/ Forest Green Exterior
FWSL13	6 3/4	N/A	N/A	N/A	N/A
FWSL17	10 3/4	N/A	N/A	N/A	N/A
FWT11	4 3/4	N/A	N/A	N/A	N/A
FWT16	9 3/4	N/A	N/A	N/A	N/A
FWT110	13 3/4	N/A	N/A	N/A	N/A

#### Grille - 7/8" Wood / Maple Interior

Unit No.	Length	Maple Interior/ White Exterior	Maple Interior/ Terratone Exterior	Maple Interior/ Sandtone Exterior	Maple Interior/ Forest Green Exterior
FWSL13	6 3/4	2589715	2633115	0936116	1292315
FWSL17	10 3/4	2589717	2633117	0936118	1292317
FWT11	4 3/4	2589718	2633118	0936119	1292318
FWT16	9 3/4	2589719	2633119	0936120	1292319
FWT110	13 3/4	2589720	2633120	0936121	1292320

#### Grille - 7/8" Wood / Oak Interior

Unit No.	Length	Oak Interior/ White Exterior	Oak Interior/ Terratone Exterior	Oak Interior/ Sandtone Exterior	Oak Interior/ Forest Green Exterior
FWSL13	6 3/4	2589815	2633215	0936215	1292415
FWSL17	10 3/4	2589817	2633217	0936217	1292417
FWT11	4 3/4	2589818	2633218	0936218	1292418
FWT16	9 3/4	2589819	2633219	0936219	1292419
FWT110	13 3/4	2589820	2633220	0936220	1292420

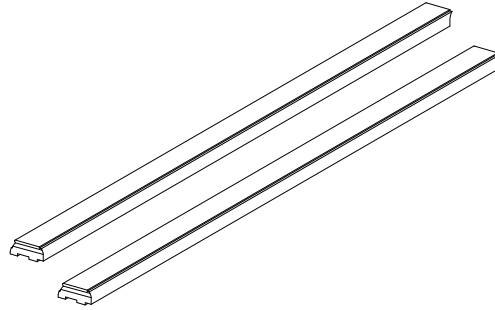
#### Grille - 7/8" Wood / White Interior

	Unit No.	Length	White Interior/ White Exterior
	FWSL13	6 3/4	2589915
	FWSL17	10 3/4	2589917
	FWT11	4 3/4	2589918
	FWT16	9 3/4	2589919
	FWT110	13 3/4	2589920

## Frames

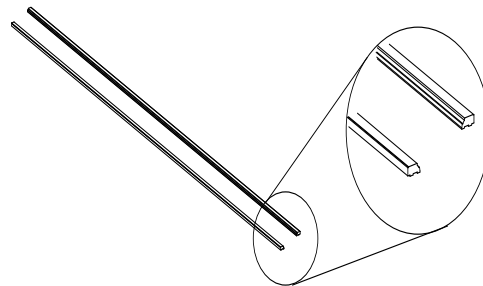
### Glass Stops

#### Glass Stop - Rail



Unit No.	Length	Pine	Maple	Oak	Prefinished White
<b>FWSL13</b>	6 <sup>13</sup> / <sub>16</sub>	2581115	2581315	2581215	2581415
<b>FWSL17</b>	10 <sup>13</sup> / <sub>16</sub>	2581117	2581317	2581217	2581417
<b>FWT21</b>	13 <sup>3</sup> / <sub>4</sub>	2581118	2581318	2581218	2581418
<b>FWT27</b>	19 <sup>3</sup> / <sub>8</sub>	2581119	2581319	2581219	2581419
<b>FWT29</b>	21 <sup>3</sup> / <sub>8</sub>	2581120	2581320	2581220	2581420
<b>FWT31</b>	25 <sup>3</sup> / <sub>8</sub>	2581121	2581321	2581221	2581421
<b>FWT41</b>	37 <sup>1</sup> / <sub>4</sub>	2581122	2581322	2581222	2581422
<b>FWT50</b>	48 <sup>1</sup> / <sub>2</sub>	2581123	2581323	2581223	2581423
<b>FWT54</b>	52 <sup>1</sup> / <sub>2</sub>	2581124	2581324	2581224	2581424
<b>FWT60</b>	60 <sup>1</sup> / <sub>2</sub>	2581125	2581325	2581225	2581425

#### Glass Stop - Transom / Stile



Unit No.	Length	Pine	Maple	Oak	Prefinished White
<b>FWT11</b>	6 <sup>1</sup> / <sub>8</sub>	2581515	2581715	2581615	2581815
<b>FWT16</b>	11 <sup>1</sup> / <sub>8</sub>	2581516	2581716	2581616	2581816
<b>FWT110</b>	15 <sup>1</sup> / <sub>8</sub>	2581517	2581717	2581617	2581817

#### Glass Stops - Sidelight / Stile

**Note:**

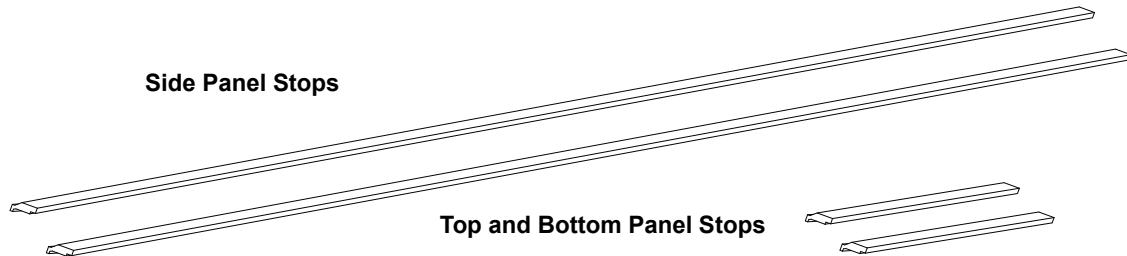
Order sidelight stile glass stops by description.

# 400 Series Frenchwood® Patio Door Sidelights & Transoms

Sidelights & Transoms

## Frames

### Panel Stops



#### Panel Stop - Sidelight / Side

**Note:**  
Quantity of one.

Unit No.	Length	Pine	Maple	Oak	Prefinished White
FWSLT68	76 <sup>3</sup> / <sub>4</sub>	2586016	2586116	2586216	2586316
FWSLT611	79 <sup>5</sup> / <sub>8</sub>	2586015	2586115	2586215	2586315
FWSLT80	92 <sup>3</sup> / <sub>4</sub>	2586017	2586117	2586217	2586317

#### Panel Stop - Transom / Side

**Note:**  
Quantity of one.

Unit No.	Length	Pine	Maple	Oak	Prefinished White
FWT11	10 <sup>3</sup> / <sub>4</sub>	2586018	2586118	2586218	2586318
FWT16	15 <sup>3</sup> / <sub>4</sub>	2586020	2586120	2586220	2586320
FWT110	19 <sup>3</sup> / <sub>4</sub>	2586019	2586119	2586219	2586319

#### Panel Stop - Sidelight and Transom / Top and Bottom

**Note:**  
Quantity of one.

Unit No.	Length	Pine	Maple	Oak	Prefinished White
FWSL13	12	2586415	2586515	2586615	2586715
FWSL17	16	2586417	2586517	2586617	2586717
FWT21	21 <sup>11</sup> / <sub>16</sub>	2586418	2586518	2586618	2586718
FWT27	27 <sup>5</sup> / <sub>16</sub>	2586419	2586519	2586619	2586719
FWT29	29 <sup>5</sup> / <sub>16</sub>	2586420	2586520	2586620	2586720
FWT31	33 <sup>5</sup> / <sub>16</sub>	2586421	2586521	2586621	2586721
FWT41	45 <sup>3</sup> / <sub>16</sub>	2586422	2586522	2586622	2586722
FWT50	56 <sup>7</sup> / <sub>16</sub>	2586423	2586523	2586623	2586723
FWT54	60 <sup>7</sup> / <sub>16</sub>	2586424	2586524	2586624	2586724
FWT60	68 <sup>7</sup> / <sub>16</sub>	2586425	2586525	2586625	2586725

## Frames

### Weatherstrip - Sidelight / Side Jambs

#### Weatherstrip - Sidelight / Side Jamb

	Unit No.	Order No.
	<b>FWT68</b>	2641425
	<b>FWT611</b>	2641426
	<b>FWT80</b>	2641427

### Mull Transom Posts

#### Mull Transom Post

	Unit No.	Pine	Maple	Oak	Prefinished Interior White
	<b>FWT11</b>	2511155	2511157	2511156	2511158
	<b>FWT16</b>	2511143	2511120	2511119	2511121
	<b>FWT110</b>	2511139	2511141	2511140	2511142

### Mull Transom Covers

#### Mull Transom Cover

**Note:**

Mull transom cover is used over a mull transom post on the exterior.

	Unit No.	Length	White	Terratone	Sandtone	Forest Green
	<b>FWT11</b>	9 <sup>7</sup> / <sub>8</sub>	2589601	2669201	0961301	1263201
	<b>FWT16</b>	14 <sup>7</sup> / <sub>8</sub>	2589602	2669202	0961302	1263202
	<b>FWT110</b>	18 <sup>7</sup> / <sub>8</sub>	2589603	2669203	0961303	1263203

### Mull Post Trim

#### Mull Post Trim

**Note:**

Mull transom trim is used over a mull transom post on the interior.

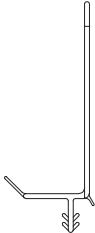
	Unit No.	Length	Pine	Maple	Oak	White
	<b>FWTD-2-10</b>	7 <sup>13</sup> / <sub>16</sub>	9008473	9008483	9008478	By description
	<b>FWTD-2-14</b>	11 <sup>13</sup> / <sub>16</sub>	9008474	9008484	9008479	By description
	<b>FWTD-2-18</b>	15 <sup>13</sup> / <sub>16</sub>	9008475	9008485	9008480	By description
	<b>FWTD-2-20</b>	19 <sup>13</sup> / <sub>16</sub>	9008476	9008486	9008481	By description
	<b>FWTD-2-24</b>	23 <sup>13</sup> / <sub>16</sub>	9008477	9008487	9008482	By description


# 400 Series Frenchwood® Patio Door Sidelights & Transoms

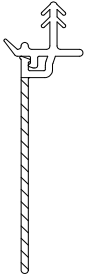
Sidelights & Transoms

## Frames

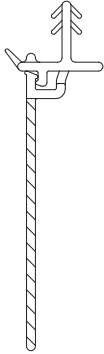
### Flanges

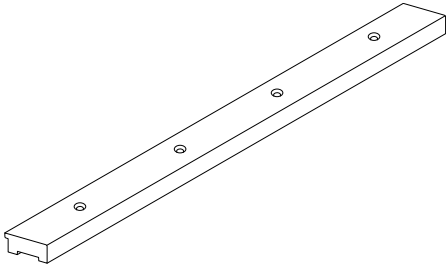
Flange - Head		Unit No.	Length	Gray
		<b>FWSL13</b>	16 <sup>7</sup> / <sub>8</sub>	2511201
		<b>FWSL17</b>	20 <sup>7</sup> / <sub>8</sub>	2511204
		<b>FWH21</b>	27 <sup>1</sup> / <sub>32</sub>	2578301
		<b>FWH27</b>	32 <sup>21</sup> / <sub>32</sub>	2578302
		<b>FWH29</b>	34 <sup>21</sup> / <sub>32</sub>	2578304
		<b>FWH31</b>	38 <sup>21</sup> / <sub>32</sub>	2578306
		<b>FWH41</b>	50 <sup>9</sup> / <sub>16</sub>	2578307
		<b>FWH50</b>	61 <sup>13</sup> / <sub>16</sub>	2578308
		<b>FWH54</b>	65 <sup>13</sup> / <sub>16</sub>	2578310
		<b>FWH60</b>	73 <sup>13</sup> / <sub>16</sub>	2578312

Flange - Side		Unit No.	Length	Order No.
		<b>FWT11</b>	14 <sup>11</sup> / <sub>16</sub>	2511206
		<b>FWT16</b>	19 <sup>11</sup> / <sub>16</sub>	2511207
		<b>FWT110</b>	23 <sup>11</sup> / <sub>16</sub>	2511208
		<b>FWH68</b>	80 <sup>1</sup> / <sub>4</sub>	2550026
		<b>FWH611</b>	83 <sup>1</sup> / <sub>8</sub>	2427016
		<b>FWH76</b>	90 <sup>1</sup> / <sub>4</sub>	2577697
		<b>FWH80</b>	96 <sup>1</sup> / <sub>4</sub>	2572536

Flange - Head Folding		Unit No.	Length	Order No.
		<b>FWD13</b>	14 <sup>1</sup> / <sub>4</sub>	9044815
		<b>FWD17</b>	18 <sup>1</sup> / <sub>4</sub>	9044816
		<b>FWD21</b>	24 <sup>3</sup> / <sub>32</sub>	9044822
		<b>FWD27</b>	30 <sup>3</sup> / <sub>32</sub>	9044823
		<b>FWD31</b>	36 <sup>3</sup> / <sub>32</sub>	9044825
		<b>FWD41</b>	47 <sup>1</sup> / <sub>4</sub>	9044827
		<b>FWD52</b>	59 <sup>1</sup> / <sub>4</sub>	9044828
		<b>FWD54</b>	63 <sup>1</sup> / <sub>4</sub>	9044829
		<b>FWD60</b>	71 <sup>1</sup> / <sub>4</sub>	9044830
		<b>FWG96</b>	112 <sup>13</sup> / <sub>32</sub>	9044834

## Frames

Flange - Side Folding			
	<b>Unit No.</b>	<b>Length</b>	<b>Order No.</b>
	FWD10	11 1/4	9044817
	FWD14	15 1/4	9044818
	FWD18	19 1/4	9044819
	FWD20	23 1/4	9044820
	FWD24	27 1/4	9044821
	FWD68	79 1/2	9044844
	FWD611	82 11/32	9044845
	FWD76	89 1/2	9046454
	FWD80	95 1/2	9044846

Oak Step Sills					
Oak Step Sill					
	<b>Unit No.</b>	<b>Quantity of Screws Used</b>	<b>Length</b>	<b>Order No.</b>	
	FWSL13	2	12 3/4	2586820	
	FWSL15	2	14 3/4	2586822	
	FWSL17	2	16 3/4	2586824	

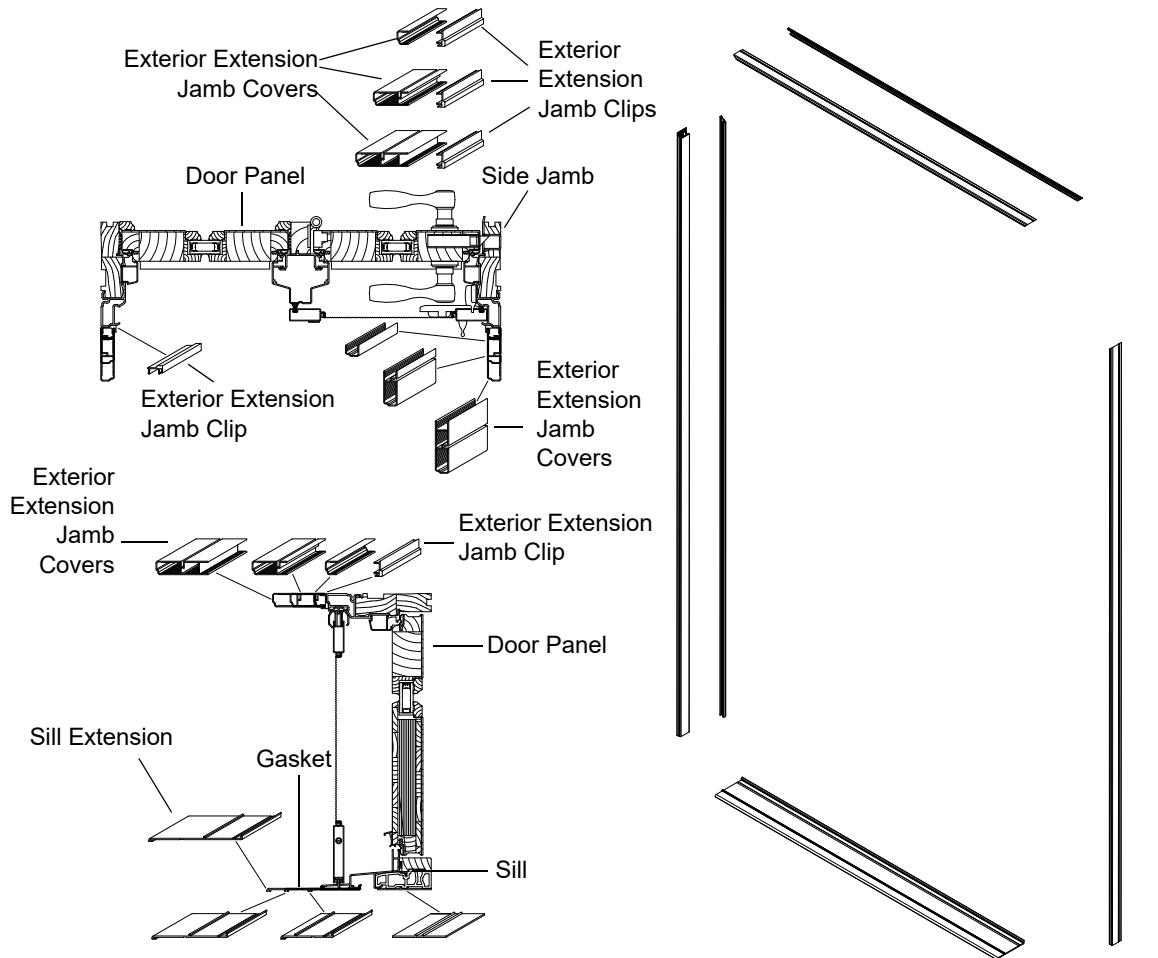
Sill Step Screw		
	<b>Description</b>	<b>Order No.</b>
	#8 x 1 1/2 brass PH FL	2562415

# 400 Series Frenchwood® Patio Door Sidelights & Transoms

Sidelights & Transoms

## Frames

### Extension Jamb - Exterior



### Extension Jamb - Exterior / 5 1/4" Wall

	Unit No.	Length	White	Sandtone	Terratone	Forest Green
	<b>FWH3110</b>	36 1/8	2577397	0921332	2667889	1267845
	<b>FWH6010</b>	71 1/4	2577495	0921335	2667892	1277842

### Extension Jamb - Exterior / 6 9/16" Wall

	Unit No.	Length	White	Sandtone	Terratone	Forest Green
	<b>FWH3110</b>	36 1/8	2577398	0921333	2667890	1267846
	<b>FWH6010</b>	71 1/4	2577496	0921336	2667893	1277843

### Extension Jamb - Exterior / 7 9/16" Wall

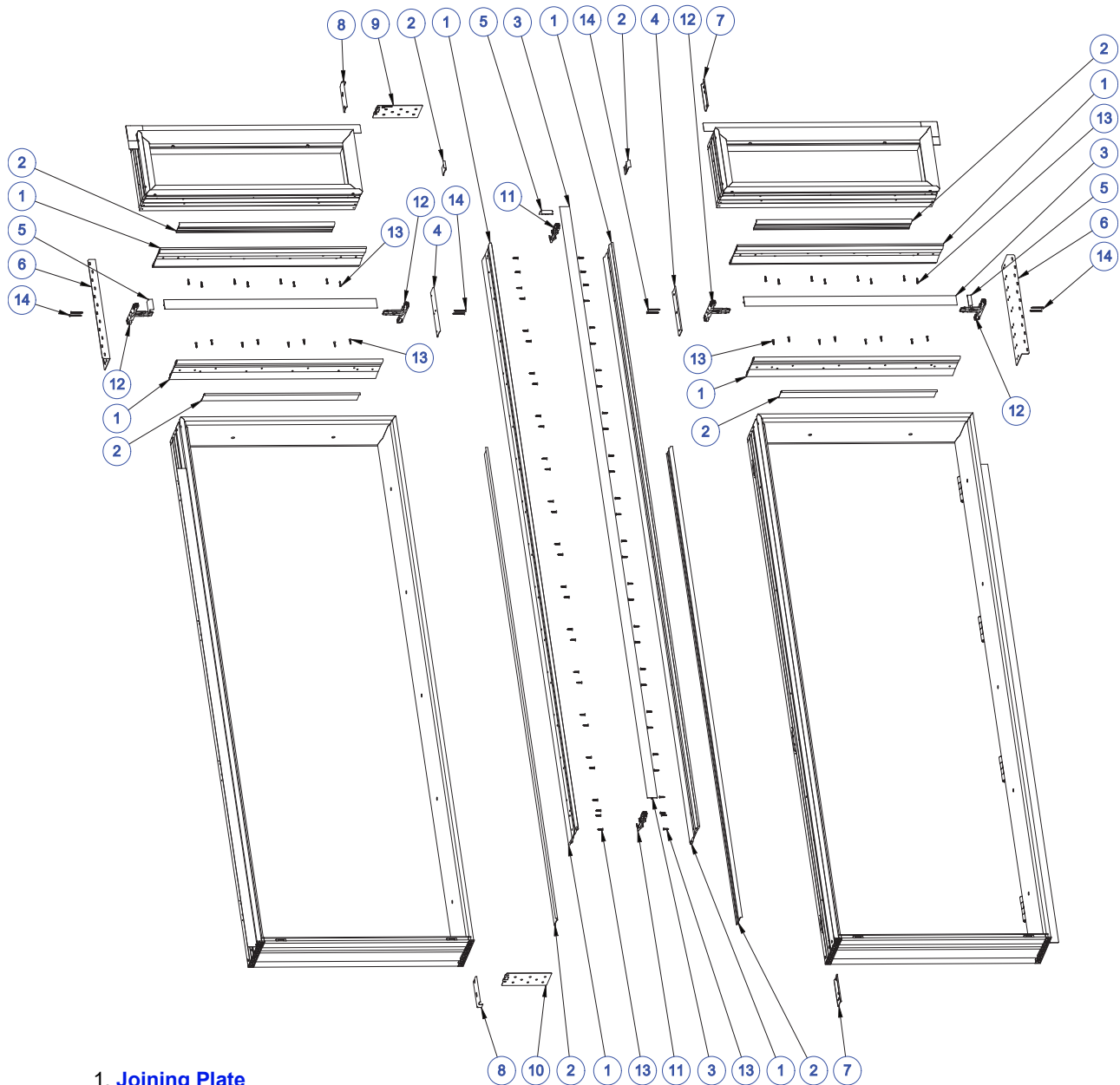
	Unit No.	Length	White	Sandtone	Terratone	Forest Green
	<b>FWH3110</b>	36 1/8	2577399	0921334	2667891	1267847
	<b>FWH6010</b>	71 1/4	2577497	0921337	2667894	1277844

## Joining Components

### Fiberglass Joining Exploded View

**Note:**

See (1-Way, 1-Way Assembly in Opening and 2-Way) [Joining Guide 9180250](#).



- 1. [Joining Plate](#)
- 2. [Joining Plate Alignment Spacer](#)
- 3. [Exterior Trim Strip](#)
- 4. [Intersection Bracket](#)
- 5. [End Cap](#)
- 6. [Gusset Plate](#)

- 7. [Fixed Bracket](#)
- 8. [Slide Bracket](#)
- 9. [Flat Side Gusset \(A\)](#)
- 10. [Flat Side Gusset \(B\)](#)
- 11. [End Plug](#)
- 12. [Locking/Sealing Plug](#)
- 13. [7/8" Screw](#)
- 14. [2" Screw](#)



# 400 Series Frenchwood® Patio Door Sidelights & Transoms

Sidelights & Transoms

## Joining Components

Fiberglass Joining Kits										
Joining Kits - FGL / 4 9/16"										
<b>Kit Includes:</b> (2) Joining Plate (2) Alignment Spacer (1) Exterior Trim Strip (length dimension shown) (2) Flange Gusset 18" (1) Hardware Kit										
Color	Size									
	31	33	60	64	68	611	80	100	104	120
	Length									
	35 <sup>27</sup> / <sub>32</sub>	37 <sup>19</sup> / <sub>32</sub>	71	74 <sup>3</sup> / <sub>4</sub>	79 <sup>1</sup> / <sub>4</sub>	82 <sup>1</sup> / <sub>8</sub>	95 <sup>1</sup> / <sub>4</sub>	119 <sup>1</sup> / <sub>4</sub>	123 <sup>1</sup> / <sub>4</sub>	143 <sup>3</sup> / <sub>4</sub>
White	9179836	9179837	9179838	9179839	9179840	9179841	9179842	9179843	9179844	9179845
Terratone®	9179826	9179827	9179828	9179829	9179830	9179831	9179832	9179833	9179834	9179835
Sandtone	9179816	9179817	9179818	9179819	9179820	9179821	9179822	9179823	9179824	9179825
Forest Green	9179786	9179787	9179788	9179789	9179790	9179791	9179792	9179793	9179794	9179795
Canvas	9179746	9179747	9179748	9179749	9179750	9179751	9179752	9179753	9179754	9179755
Prairie Grass	9179796	9179797	9179798	9179799	9179800	9179801	9179802	9179803	9179804	9179805
Cocoa Bean	9179756	9179757	9179758	9179759	9179760	9179761	9179762	9179763	9179764	9179765
Dove Grey	9179776	9179777	9179778	9179779	9179780	9179781	9179782	9179783	9179784	9179785
Red Rock	9179806	9179807	9179808	9179809	9179810	9179811	9179812	9179813	9179814	9179815
Black	9179736	9179737	9179738	9179739	9179740	9179741	9179742	9179743	9179744	9179745
Dark Bronze	9179766	9179767	9179768	9179769	9179770	9179771	9179772	9179773	9179774	9179775

Joining Kits - FGL / 6 9/16"			
<b>Kit Includes:</b> (2) Joining Plate (2) Alignment Spacer (1) Exterior Trim Strip (length dimension shown) (2) Flange Gusset 18" (1) Hardware Kit (1) Sealant	Color	Size	
		104	140
		Length	
		123 <sup>1</sup> / <sub>4</sub>	167 <sup>3</sup> / <sub>4</sub>
		White	9179866
	Terratone®	9179864	9179865
	Sandtone	9179862	9179863
	Forest Green	9179856	9179857
	Canvas	9179848	9179849
	Prairie Grass	9179858	9179859
	Cocoa Bean	9179850	9179851
	Dove Grey	9179852	9179853
	Red Rock	9179860	9179861
	Black	9179846	9179847
	Dark Bronze	9179854	9179855

## Joining Components

Fiberglass Joining Hardware Kits		
Hardware Kit - FGL Joining		
<b>Kit Includes:</b> (1) Intersection Bracket (2) Fixed Bracket (2) Slide Bracket (1) Flat Side Gusset Type A (1) Flat Side Gusset Type B (2) Locking/Sealing Plug (2) End Plug (2) End Cap (18) Screw 10-16 x 2 (52) Screw 10-12 x 7/8 (1) Gasket	Color	Order No.
	White	9180115
	Terratone®	9180114
	Sandtone	9180113
	Forest Green	9180110
	Canvas	9180107
	Prairie Grass	9180111
	Cocoa Bean	9180106
	Dove Grey	9180108
	Red Rock	9180112
	Black	9179999
	Dark Bronze	9180109

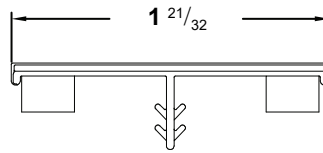
# 400 Series Frenchwood® Patio Door Sidelights & Transoms

Sidelights & Transoms

## Joining Components

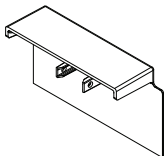
### Fiberglass Joining Kit Components

#### Trim Strip - FGL



Color	Size										
	31	33	60	64	68	611	80	100	104	120	120
	Length										
	35 <sup>27</sup> / <sub>32</sub>	37 <sup>27</sup> / <sub>32</sub>	71	74 <sup>3</sup> / <sub>4</sub>	79 <sup>1</sup> / <sub>4</sub>	82 <sup>1</sup> / <sub>8</sub>	94 <sup>1</sup> / <sub>4</sub>	119 <sup>1</sup> / <sub>4</sub>	123 <sup>1</sup> / <sub>4</sub>	143 <sup>3</sup> / <sub>4</sub>	167 <sup>3</sup> / <sub>4</sub>
White	9179978	9179979	9179980	9179981	9180159	9180160	9180161	9180162	9179982	9179983	9179984
Terratone®	9179971	9179972	9179973	9179974	9180155	9180156	9180157	9180158	9179975	9179976	9179977
Sandtone	9179964	9179965	9179966	9179967	9180151	9180152	9180153	9180154	9179968	9179969	9179970
Forest Green	9179935	9179936	9179937	9179938	9180147	9180148	9180149	9180150	9179939	9179940	9179941
Canvas	9179899	9179900	9179901	9179902	9180139	9180140	9180141	9180142	9179903	9179904	9179905
Prairie Grass	9179942	9179943	9179944	9179945	9179946	9179947	9179948	9179949	9179950	9179951	9179952
Cocoa Bean	9179906	9179907	9179908	9179909	9179910	9179911	9179912	9179913	9179914	9179915	9179916
Dove Grey	9179917	9179918	9179919	9179920	9179921	9179922	9179923	9179924	9179925	9179926	9179927
Red Rock	9179953	9179954	9179955	9179956	9179957	9179958	9179959	9179960	9179961	9179962	9179963
Black	9179891	9179892	9179893	9179894	9180136	9180137	9180138	9179895	9179896	9179897	9179898
Dark Bronze	9179928	9179929	9179930	9179931	9180143	9180144	9180145	9180146	9179932	9179933	9179934

#### End Cap - FGL



Color	Order No.
White	9043111
Terratone	9043119
Sandtone	9043110
Forest Green	9043118
Canvas	9043112
Prairie Grass	9043117
Cocoa Bean	9043116
Dove Grey	9043113
Red Rock	9043114
Black	9043115
Dark Bronze	9043120

## Joining Components

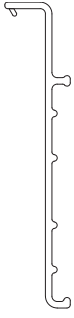
Inside Casing - 2 1/8"										
Finish	96"			120"						
	Pine	Maple	Oak	Pine	Maple	Oak	Cherry	Mahogany	Douglas Fir	Alder
Unfinished	9067316	9064335	9064417	9068749	9068751	9068750	9140911	9140912	9140910	9140913
White	9013179	9055406	9040761	9013180	9040762	9055403	-	-	-	-
Clear Coat	9013183	9013187	9013185	9013184	9013188	9013186	-	-	-	-
Cinnamon	9013207	9013211	9013209	9013208	9013212	9013210	-	-	-	-
Mocha	9013195	9013199	9013197	9013196	9013200	9013198	-	-	-	-
Primed	9013181	9055407	9040763	9013182	9040764	9055404	-	-	-	-
Honey	9013201	9013205	9013203	9013202	9013206	9013204	-	-	-	-
Russet	9013189	9013193	9013191	9013190	9013194	9013192	-	-	-	-
Espresso	9013215	9013219	9013217	9013216	9013220	9013218	-	-	-	-
Birch Bark (Bright White)	9013213	9055408	9040765	9013214	9040766	9055405	-	-	-	-

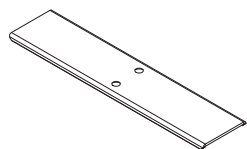
Joining Plate - FGL					
<b>Note:</b> Need two per mull. Cut to fit joining plates 1 1/2" shorter than the overall mulled length or width.					
 4 9/16	 6 9/16	Depth	Size	Length	Order No.
		 4 9/16		4 9/16	31
33	36 19/32				9179869
60	69 3/4				9179870
64	73 1/2				9179871
68	78				9179872
611	80 7/8				9179873
80	94				9179874
100	118				9179875
104	122				9179876
120	142 1/2				9179877
 6 9/16		6 9/16	100	118	9179878
			140	166 1/2	9179879

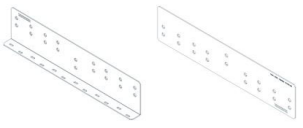
# 400 Series Frenchwood® Patio Door Sidelights & Transoms

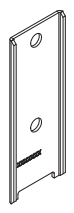
Sidelights & Transoms

## Joining Components

Joining Plate Alignment Spacer - FGL				
<b>Note:</b> Need one per unit jamb that is to be joined. Required length: Join dimension - 1 1/2"				
		<b>Size</b>	<b>Length</b>	<b>Order No.</b>
		31	26 <sup>3</sup> / <sub>32</sub>	9179880
		33	28 <sup>3</sup> / <sub>32</sub>	9179881
		60	61 <sup>1</sup> / <sub>4</sub>	9179882
		64	65	9179883
		68	69 <sup>1</sup> / <sub>2</sub>	9179884
		611	72 <sup>3</sup> / <sub>8</sub>	9179885
		80	85 <sup>1</sup> / <sub>2</sub>	9179886
		100	109 <sup>1</sup> / <sub>2</sub>	9179887
		104	113 <sup>1</sup> / <sub>2</sub>	9179888
		120	134	9179889
		140	158	9179890

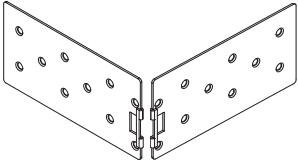
Intersection Bracket - FGL		
		<b>Order No.</b>
		9152243

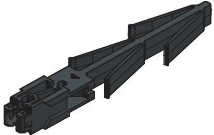
Gusset Plate - FGL / 18"			
<b>Note:</b> Need two per join. Required length: Join dimension - 1 1/2"			
 <b>Flanged</b> <b>Flat</b>		<b>Type</b>	<b>Order No.</b>
		Flat	9179993
		Flanged	9179994


Fixed Bracket - FGL		
		<b>Order No.</b>
		9179997

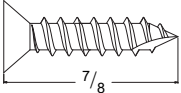
## Joining Components

Slide Bracket - FGL		
		Order No.
		9179998

Flat Slide Gusset - FGL			
 Type A      Type B		Type	Order No.
		A	9179995
		B	9179996

End Plug - FGL		
		Order No.
		9179992

Locking/Sealing Plug - FGL		
		Order No.
		9177451

Screw Package - 7/8" FGL Screw			
<b>Package Includes:</b> (52) Fasteners 10-16 x 7/8" PH FL Type 17			
 7/8		Qty	Order No.
		52	9159384

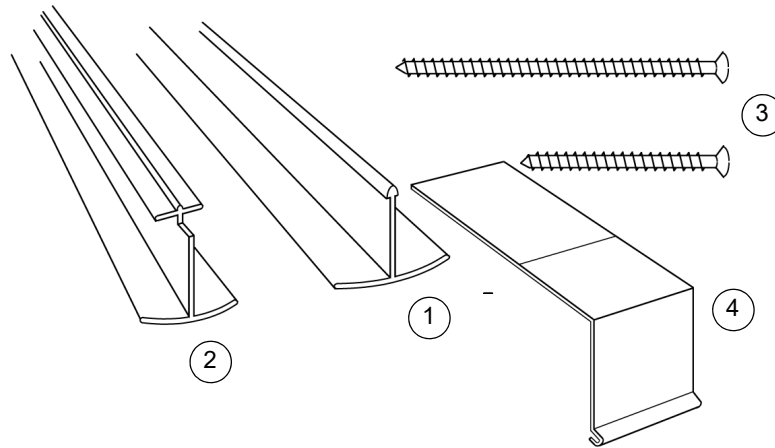
Screw Package - 2" FGL Screw			
		Qty	Order No.
		18	9017654

# 400 Series Frenchwood® Patio Door Sidelights & Transoms

Sidelights & Transoms

## Joining Components

### Narrow Mull Joining Kits



1. Interior Trim Strip
2. Outside Vinyl Trim Strip
3. Screws

### Narrow Mullion

#### Trim Strip - Outside / Vinyl Ref. No. 2

	Unit No.	Dimensions	White	Sandtone
	<b>FWG68</b>	78 <sup>7</sup> / <sub>32</sub>	1970927	0903747
	<b>FWG611</b>	81 <sup>3</sup> / <sub>32</sub>	1970928	0903748

#### Trim Strip - Interior Ref. No. 1

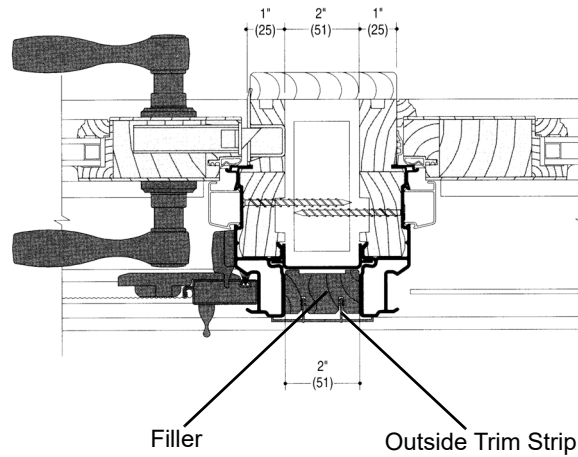
	Unit No.	Dimensions	White	Sandtone
	<b>68</b>	78 <sup>7</sup> / <sub>32</sub>	1970925	0903745
	<b>611</b>	81 <sup>3</sup> / <sub>32</sub>	1970926	0903746

#### Flashing - Head Ref. No. 4

	Unit No.	Dimensions	Color	Order No.
	<b>All Units</b>	2 <sup>1</sup> / <sub>2</sub>	White	1997264
			Sandtone	0903522

## Joining Components

### Support Mull Joining Kits



**Support Mullion**

#### Trim Strip - Outside

	Unit No.	Dimensions	White	Terratone	Sandtone	Forest Green
	<b>FWH68</b>	79 1/2	2579706	2668706	0924706	1267804
	<b>FWH611</b>	82 3/8	2579707	2668707	0924707	1267805
	<b>FWH80</b>	95 1/2	2579708	2668708	0924708	1267806

#### Filler Strip

	Unit No.	Dimensions	Order No.
	<b>FWH68</b>	79 1/2	2579714
	<b>FWH611</b>	82 3/8	2579715
	<b>FWH80</b>	95 1/2	2579716



# 400 Series Frenchwood® Patio Door Sidelights & Transoms

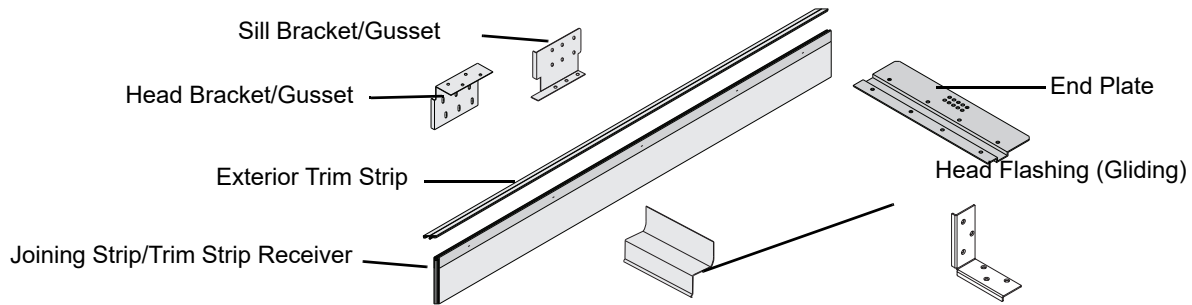
Sidelights & Transoms

## Joining Components

### Vintage LVL\* Reinforced Joining Components

**Note:**

Laminated Veneer Lumber (LVL) Joining System was replaced by Easy Connect Joining System (ECJS) in July 2019. Some kits and component parts are unavailable.



#### Trim Strip - 3/4" LVL / Exterior

	Unit No.	Length	White	Terratone	Sandtone	Forest Green
	68	79 1/4	2573492	2640743	0903750	1262848
	611	82 1/8	2573496	2640744	0903751	1262849
	80	95 1/4	2573488	2640745	0903752	1262850
	10 ft	120	2510101	2640746	0903753	1262851

#### Flashing - Exterior Support Mull / 4 5/8" (Gliding Patio Doors)

	Color	Order No.
	White	1997266
	Terratone	2640729
	Sandtone	0903524
	Forest Green	1262727

## Joining Components

3/4" LVL Inside Casing - Narrow Mull 2 3/8"				
		Size	Color	Order No.
	<b>Note:</b> Inside casing is not part of LVL joining kit.	96 inch	White Vinyl	1916008
			Pine	1916007
			Maple	1916010
			Oak	1916009

# 400 Series Frenchwood® Patio Door Sidelights & Transoms

Sidelights & Transoms

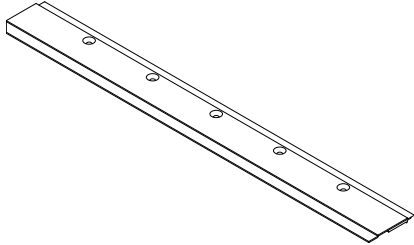
## Art Glass Components

### Trim Stops - Art Glass

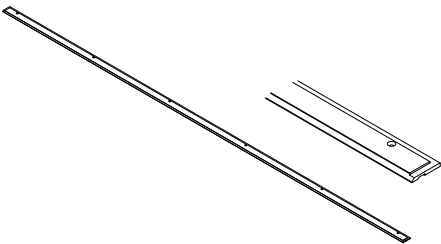
**Note:**

Information about ordering replacement art glass panels can be found in the Andersen Art Glass section of the catalog.

#### Trim Stop - Art Glass / Head and Sill

		<b>Unit No.</b>	<b>Length</b>	<b>Order No.</b>
		AGFWSL13	5 <sup>13</sup> / <sub>16</sub>	2370601
		AGFWSL15	7 <sup>13</sup> / <sub>16</sub>	2370602
		AGFWSL17	9 <sup>13</sup> / <sub>16</sub>	2370603
		AGFWT21	12 <sup>3</sup> / <sub>4</sub>	2370604
		AGFWT27	18 <sup>3</sup> / <sub>8</sub>	2370605
		AGFWT29	20 <sup>3</sup> / <sub>8</sub>	2370606
		AGFWT31	24 <sup>3</sup> / <sub>8</sub>	2370607
		AGFWT41	36 <sup>1</sup> / <sub>4</sub>	2370608
		AGFWT50	47 <sup>1</sup> / <sub>2</sub>	2370609
		AGFWT54	54 <sup>1</sup> / <sub>2</sub>	2370610
		AGFWT60	59 <sup>1</sup> / <sub>2</sub>	2370611

#### Trim Stop - Art Glass / Side

		<b>Unit No.</b>	<b>Length</b>	<b>Order No.</b>
		AGFWT11	65 <sup>1</sup> / <sub>8</sub>	2370612
		AGFWT16	67 <sup>15</sup> / <sub>16</sub>	2370613
		AGFWT110	81 <sup>1</sup> / <sub>8</sub>	2370614

### Art Glass Hardware

#### Bracket Package

	<b>Package includes:</b> Top and bottom brackets, shims and screws.	<b>Unit No.</b>	<b>Order No.</b>
		AG FWD	2370019

#### Bracket with Screws - Top

	<b>Order No.</b>
	2370024

#### Screw Package

	<b>Description</b>	<b>Order No.</b>
	Brass oval head, AG 1x5 STD	2370026

#### Screw Package - Sill Stop

	<b>Description</b>	<b>Order No.</b>
	AG 5X9/16 FWD/PSC	2370029

## Notes

---

# 400 Series Frenchwood® Patio Door Sidelights & Transoms

## Stormwatch® Protection (Coastal Product)

Andersen® products with Stormwatch® protection are designed for use in coastal areas. They feature design pressure upgrades, glass options, and structural enhancements.

### Sash (Impact Resistant)

<b>Panels - Sidelight</b>					
<b>Panel - Sidelight / High-Performance™ Low-E4® (Impact Resistant)</b>					
<b>Note:</b> Available by description.					
<b>Panel - Sidelight / High-Performance™ Sun II (Impact Resistant)</b>					
<b>Note:</b> Available by description.					
<b>Panel - Sidelight / High-Performance™ Low-E4® Tempered / Pine Interior (Impact Resistant)</b>					
<b>Note:</b> Available by description.					
<b>Panel - Sidelight / High-Performance™ Low-E4® Tempered / Maple Interior (Impact Resistant)</b>					
<b>Note:</b> Available by description.					
<b>Panel - Sidelight / High-Performance™ Low-E4® Tempered / Oak Interior (Impact Resistant)</b>					
<b>Note:</b> Available by description.					
<b>Panel - Sidelight / High-Performance™ Low-E4® Tempered / Prefinished Interior White (Impact Resistant)</b>					
<b>Note:</b> Available by description.					
<b>Panel - Sidelight / High-Performance™ Low-E4® Sun 3 Tempered / Pine Interior (Impact Resistant)</b>					
	<b>Unit No.</b>	<b>Pine Interior/ White Exterior</b>	<b>Pine Interior/ Terratone Exterior</b>	<b>Pine Interior/ Sandtone Exterior</b>	<b>Pine Interior/ Forest Green Exterior</b>
	<b>FWSL1368</b>	2590015	2672915	0980015	1266615
	<b>FWSL13611</b>	2590017	2672917	0980017	1266617
	<b>FWSL1380</b>	2590019	2672919	0980019	1266619
	<b>FWSL1768</b>	2590016	2672916	0980016	1266616
	<b>FWSL17611</b>	2590018	2672918	0980018	1266618
	<b>FWSL1780</b>	2590020	2672920	0980020	1266620

### Sash (Impact Resistant)

Panel - Sidelight / High-Performance™ Low-E4® Sun 3 Tempered / Maple Interior (Impact Resistant)					
	Unit No.	Maple Interior/ White Exterior	Maple Interior/ Terratone Exterior	Maple Interior/ Sandtone Exterior	Maple Interior/ Forest Green Exterior
	<b>FWSL1368</b>	2590215	2673115	0980215	1266815
	<b>FWSL13611</b>	2590217	2673117	0980217	1266817
	<b>FWSL1380</b>	2590219	2673119	0980219	1266819
	<b>FWSL1768</b>	2590216	2673116	0980216	1266816
	<b>FWSL17611</b>	2590218	2673118	0980218	1266818
	<b>FWSL1780</b>	2590220	2673120	0980220	1266820

Panel - Sidelight / High-Performance™ Low-E4® Sun 3 Tempered / Oak Interior (Impact Resistant)					
	Unit No.	Oak Interior/ White Exterior	Oak Interior/ Terratone Exterior	Oak Interior/ Sandtone Exterior	Oak Interior/ Forest Green Exterior
	<b>FWSL1368</b>	2590115	2673015	0980115	1266715
	<b>FWSL13611</b>	2590117	2673017	0980117	1266717
	<b>FWSL1380</b>	2590119	2673019	0980119	1266719
	<b>FWSL1768</b>	2590116	2673016	0980116	1266716
	<b>FWSL17611</b>	2590118	2673018	0980118	1266718
	<b>FWSL1780</b>	2590120	2673020	0980120	1266720

Panel - Sidelight / High-Performance™ Low-E4® Sun 3 Tempered / Prefinished Interior White (Impact Resistant)		
	Unit No.	Prefinished Interior White/ White Exterior
	<b>FWSL1368</b>	2590315
	<b>FWSL13611</b>	2590317
	<b>FWSL1380</b>	2590319
	<b>FWSL1768</b>	2590316
	<b>FWSL17611</b>	2590318
	<b>FWSL1780</b>	2590320

Panel - Sidelight / High-Performance™ Sun II Tempered (Impact Resistant)
<b>Note:</b> Available by description.

Panel - Sidelight / Clear Laminated Monolithic / Pine Interior
<b>Note:</b> Available by description.

# 400 Series Frenchwood® Patio Door Sidelights & Transoms

*Stormwatch® Protection (Coastal Product)*

## Sash (Impact Resistant)

### Panel - Sidelight / Clear Laminated Monolithic / Maple Interior

**Note:**

Available by description.

### Panel - Sidelight / Clear Laminated Monolithic / Oak Interior

**Note:**

Available by description.

### Panel - Sidelight / Clear Laminated Monolithic / Prefinished Interior White

**Note:**

Available by description.

### Panel - Sidelight / Gray Laminated Monolithic / Pine Interior

**Note:**

Available by description.

### Panel - Sidelight / Gray Laminated Monolithic / Maple Interior

**Note:**

Available by description.

### Panel - Sidelight / Gray Laminated Monolithic / Prefinished Interior White

**Note:**

Available by description.

### Panel - Sidelight / Gray Laminated Monolithic / Oak Interior

**Note:**

Available by description.

## Sash (Impact Resistant)

### Panels - Sidelight Transom

#### Panel - Sidelight Transom / High-Performance™ Low-E4® / Pine Interior (Impact Resistant)

**Note:**  
Available by description.

#### Panel - Sidelight Transom / High-Performance™ Low-E4® (Impact Resistant) / Maple Interior

**Note:**  
Available by description.

#### Panel - Sidelight Transom / High-Performance™ Low-E4® / Oak Interior (Impact Resistant)

**Note:**  
Available by description.

#### Panel - Sidelight Transom / High-Performance™ Low-E4® / Prefinished Interior White (Impact Resistant)

**Note:**  
Available by description.

#### Panel - Sidelight Transom / High-Performance™ Low-E4® Sun 3 / Pine Interior (Impact Resistant)

	Unit No.	Pine Interior/ White Exterior	Pine Interior/ Terratone Exterior	Pine Interior/ Sandtone Exterior	Pine Interior/ Forest Green Exterior
	<b>FWSLT1311</b>	2587021	2672621	0973521	1266321
	<b>FWSLT1316</b>	2587022	2672622	0973522	1266322
	<b>FWSLT13110</b>	2587023	2672623	0973523	1266323
	<b>FWSLT1711</b>	2587024	2672624	0973524	1266324
	<b>FWSLT1716</b>	2587025	2672625	0973525	1266325
	<b>FWSLT17110</b>	2587026	2672626	0973526	1266326

#### Panel - Sidelight Transom / High-Performance™ Low-E4® Sun 3 / Maple Interior (Impact Resistant)

	Unit No.	Maple Interior/ White Exterior	Maple Interior/ Terratone Exterior	Maple Interior/ Sandtone Exterior	Maple Interior/ Forest Green Exterior
	<b>FWSLT1311</b>	2587221	2672821	0973721	1266521
	<b>FWSLT1316</b>	2587222	2672822	0973722	1266522
	<b>FWSLT13110</b>	2587223	2672823	0973723	1266523
	<b>FWSLT1711</b>	2587224	2672824	0973724	1266524
	<b>FWSLT1716</b>	2587225	2672825	0973725	1266525
	<b>FWSLT17110</b>	2587226	2672826	0973726	1266526



# 400 Series Frenchwood® Patio Door Sidelights & Transoms

*Stormwatch® Protection (Coastal Product)*

## Sash (Impact Resistant)

Panel - Sidelight Transom / High-Performance™ Low-E4® Sun 3 / Oak Interior (Impact Resistant)					
	Unit No.	Oak Interior/ White Exterior	Oak Interior/ Terratone Exterior	Oak Interior/ Sandtone Exterior	Oak Interior/ Forest Green Exterior
	FWSLT1311	2587121	2672721	0973621	1266421
	FWSLT1316	2587122	2672722	0973622	1266422
	FWSLT13110	2587123	2672723	0973623	1266423
	FWSLT1711	2587124	2672724	0973624	1266424
	FWSLT1716	2587125	2672725	0973625	1266425
	FWSLT17110	2587126	2672726	0973626	1266426

Panel - Sidelight Transom / High-Performance™ Low-E4® Sun 3 / Prefinished Interior White (IR)		
	Unit No.	Prefinished Interior White/ White Exterior
	FWSLT1311	2587621
	FWSLT1316	2587622
	FWSLT13110	2587623
	FWSLT1711	2587624
	FWSLT1716	2587625
	FWSLT17110	2587626

### Panel - Sidelight Transom / High-Performance™ Low-E4® Tempered (Impact Resistant)

**Note:**  
Available by description.

### Panel - Sidelight Transom / High-Performance™ Sun II Tempered (Impact Resistant)

**Note:**  
Available by description.

### Panel - Sidelight Transom / Clear Laminated Monolithic / Pine Interior

**Note:**  
Available by description.

### Panel - Sidelight Transom / Clear Laminated Monolithic / Maple Interior

**Note:**  
Available by description.

### Panel - Sidelight Transom / Clear Laminated Monolithic / Oak Interior

**Note:**  
Available by description.

### Panel - Sidelight Transom / Clear Laminated Monolithic / Prefinished Interior White

**Note:**  
Available by description.

## Sash (Impact Resistant)

---

<b>Panel - Sidelight Transom / Gray Laminated Monolithic / Pine Interior</b>
--

**Note:**

Available by description.

<b>Panel - Sidelight Transom / Gray Laminated Monolithic / Maple Interior</b>
---

**Note:**

Available by description.

<b>Panel - Sidelight Transom / Gray Laminated Monolithic / Oak Interior</b>
---

**Note:**

Available by description.

<b>Panel - Sidelight Transom / Gray Laminated Monolithic / Prefinished Interior White</b>
---

**Note:**

Available by description.

# 400 Series Frenchwood® Patio Door Sidelights & Transoms

Stormwatch® Protection (Coastal Product)

## Sash (Impact Resistant)

### Panels - Transom

#### Panel - Transom / High-Performance™ Low-E4® / Pine Interior (Impact Resistant)

**Note:**

Available by description.

#### Panel - Transom / High-Performance™ Low-E4® / Maple Interior (Impact Resistant)

**Note:**

Available by description.

#### Panel - Transom / High-Performance™ Low-E4® / Oak Interior (Impact Resistant)

**Note:**

Available by description.

#### Panel - Transom / High-Performance™ Low-E4® / Prefinished Interior White (Impact Resistant)

**Note:**

Available by description.

#### Panel - Transom / High-Performance™ Low-E4® Sun 3 / Pine Interior (Impact Resistant)

Unit No.	Pine Interior/ White Exterior	Pine Interior/ Terratone Exterior	Pine Interior/ Sandtone Exterior	Pine Interior/ Forest Green Exterior
FWT2111	2587027	2672627	0973527	1266327
FWT2116	2587028	2672628	0973528	1266328
FWT21110	2587029	2672629	0973529	1266329
FWT2711	2587030	2672630	0973530	1266330
FWT2716	2587031	2672631	0973531	1266331
FWT27110	2587032	2672632	0973532	1266332
FWT2911	2587033	2672633	0973533	1266333
FWT2916	2587034	2672634	0973534	1266334
FWT29110	2587035	2672635	0973535	1266335
FWT3111	2587036	2672636	0973536	1266336
FWT3116	2587037	2672637	0973537	1266337
FWT31110	2587038	2672638	0973538	1266338
FWT4111	2587039	2672639	0973539	1266339
FWT4116	2587040	2672640	0973540	1266340
FWT41110	2587041	2672641	0973541	1266341
FWT5011	2587042	2672642	0973542	1266342
FWT5016	2587043	2672643	0973543	1266343
FWT50110	2587044	2672644	0973544	1266344
FWT5411	2587045	2672645	0973545	1266345
FWT5416	2587046	2672646	0973546	1266346
FWT54110	2587047	2672647	0973547	1266347
FWT6011	2587048	2672648	0973548	1266348
FWT6016	2587049	2672649	0973549	1266349
FWT60110	2587050	2672650	0973550	1266350

## Sash (Impact Resistant)

Panel - Transom / High-Performance™ Low-E4® Sun 3 / Maple Interior (Impact Resistant)					
	Unit No.	Maple Interior/ White Exterior	Maple Interior/ Terratone Exterior	Maple Interior/ Sandtone Exterior	Maple Interior/ Forest Green Exterior
	<b>FWT2111</b>	2587227	2672827	0973727	1266527
	<b>FWT2116</b>	2587228	2672828	0973728	1266528
	<b>FWT21110</b>	2587229	2672829	0973729	1266529
	<b>FWT2711</b>	2587230	2672830	0973730	1266530
	<b>FWT2716</b>	2587231	2672831	0973731	1266531
	<b>FWT27110</b>	2587232	2672832	0973732	1266532
	<b>FWT2911</b>	2587233	2672833	0973733	1266533
	<b>FWT2916</b>	2587234	2672834	0973734	1266534
	<b>FWT29110</b>	2587235	2672835	0973735	1266535
	<b>FWT3111</b>	2587236	2672836	0973736	1266536
	<b>FWT3116</b>	2587237	2672837	0973737	1266537
	<b>FWT31110</b>	2587238	2672838	0973738	1266538
	<b>FWT4111</b>	2587239	2672839	0973739	1266539
	<b>FWT4116</b>	2587240	2672840	0973740	1266540
	<b>FWT41110</b>	2587241	2672841	0973741	1266541
	<b>FWT5011</b>	2587242	2672842	0973742	1266542
	<b>FWT5016</b>	2587243	2672843	0973743	1266543
	<b>FWT50110</b>	2587244	2672844	0973744	1266544
	<b>FWT5411</b>	2587245	2672845	0973745	1266545
	<b>FWT5416</b>	2587246	2672846	0973746	1266546
	<b>FWT54110</b>	2587247	2672847	0973747	1266547
	<b>FWT6011</b>	2587248	2672848	0973748	1266548
	<b>FWT6016</b>	2587249	2672849	0973749	1266549
	<b>FWT60110</b>	2587250	2672850	0973750	1266550

## 400 Series Frenchwood® Patio Door Sidelights & Transoms

*Stormwatch® Protection (Coastal Product)*

### Sash (Impact Resistant)

Panel - Transom / High-Performance™ Low-E4® Sun 3 / Oak Interior (Impact Resistant)					
	Unit No.	Oak Interior/ White Exterior	Oak Interior/ Terratone Exterior	Oak Interior/ Sandtone Exterior	Oak Interior/ Forest Green Exterior
	<b>FWT2111</b>	2587127	2672727	0973627	1266427
	<b>FWT2116</b>	2587128	2672728	0973628	1266428
	<b>FWT21110</b>	2587129	2672729	0973629	1266429
	<b>FWT2711</b>	2587130	2672730	0973630	1266430
	<b>FWT2716</b>	2587131	2672731	0973631	1266431
	<b>FWT27110</b>	2587132	2672732	0973632	1266432
	<b>FWT2911</b>	2587133	2672733	0973633	1266433
	<b>FWT2916</b>	2587134	2672734	0973634	1266434
	<b>FWT29110</b>	2587135	2672735	0973635	1266435
	<b>FWT3111</b>	2587136	2672736	0973636	1266436
	<b>FWT3116</b>	2587137	2672737	0973637	1266437
	<b>FWT31110</b>	2587138	2672738	0973638	1266438
	<b>FWT4111</b>	2587139	2672739	0973639	1266439
	<b>FWT4116</b>	2587140	2672740	0973640	1266440
	<b>FWT41110</b>	2587141	2672741	0973641	1266441
	<b>FWT5011</b>	2587142	2672742	0973642	1266442
	<b>FWT5016</b>	2587143	2672743	0973643	1266443
	<b>FWT50110</b>	2587144	2672744	0973644	1266444
	<b>FWT5411</b>	2587145	2672745	0973645	1266445
	<b>FWT5416</b>	2587146	2672746	0973646	1266446
	<b>FWT54110</b>	2587147	2672747	0973647	1266447
	<b>FWT6011</b>	2587148	2672748	0973648	1266448
	<b>FWT6016</b>	2587149	2672749	0973649	1266449
	<b>FWT60110</b>	2587150	2672750	0973650	1266450

## Sash (Impact Resistant)

Panel - Transom / High-Performance™ Low-E4® Sun 3 / Prefinished Interior White (Impact Resistant)		
	Unit No.	Prefinished Interior White/ White Exterior
	<b>FWT2111</b>	2587627
	<b>FWT2116</b>	2587628
	<b>FWT21110</b>	2587629
	<b>FWT2711</b>	2587630
	<b>FWT2716</b>	2587631
	<b>FWT27110</b>	2587632
	<b>FWT2911</b>	2587633
	<b>FWT2916</b>	2587634
	<b>FWT29110</b>	2587635
	<b>FWT3111</b>	2587636
	<b>FWT3116</b>	2587637
	<b>FWT31110</b>	2587638
	<b>FWT4111</b>	2587639
	<b>FWT4116</b>	2587640
	<b>FWT41110</b>	2587641
	<b>FWT5011</b>	2587642
	<b>FWT5016</b>	2587643
	<b>FWT50110</b>	2587644
	<b>FWT5411</b>	2587645
	<b>FWT5416</b>	2587646
	<b>FWT54110</b>	2587647
	<b>FWT6011</b>	2587648
	<b>FWT6016</b>	2587649
	<b>FWT60110</b>	2587650

Panel - Transom / High-Performance™ Low-E4® Tempered (Impact Resistant)	
<b>Note:</b> Available by description.	
Panel - Transom / High-Performance™ Low-E4® Sun II Tempered (Impact Resistant)	
<b>Note:</b> Available by description.	

Panel - Transom / Clear Laminated Monolithic / Pine Interior	
<b>Note:</b> Available by description.	

Panel - Transom / Clear Laminated Monolithic / Maple Interior	
<b>Note:</b> Available by description.	

## 400 Series Frenchwood® Patio Door Sidelights & Transoms

*Stormwatch® Protection (Coastal Product)*

### Sash (Impact Resistant)

#### Panel - Transom / Clear Laminated Monolithic / Oak Interior

**Note:**

Available by description.

#### Panel - Transom / Clear Laminated Monolithic / Prefinished Interior White

**Note:**

Available by description.

#### Panel - Transom / Gray Laminated Monolithic / Pine Interior

**Note:**

Available by description.

#### Panel - Transom / Gray Laminated Monolithic / Maple Interior

**Note:**

Available by description.

#### Panel - Transom / Gray Laminated Monolithic / Oak Interior

**Note:**

Available by description.

#### Panel - Transom / Gray Laminated Monolithic / Prefinished Interior White

**Note:**

Available by description.

## Frames (Impact Resistant)

### Glass Stops (Impact Resistant)

#### Glass Stop - Sidelight / Rail

Unit No.	Length	Pine	Maple	Oak	Prefinished Interior White
<b>FWSL13</b>	6 <sup>13</sup> / <sub>16</sub>	2580615	2514415	2514015	2580715
<b>FWSL15</b>	8 <sup>13</sup> / <sub>16</sub>	2580616	2514416	2514016	2580716
<b>FWSL17</b>	10 <sup>13</sup> / <sub>16</sub>	2580617	2514417	2514017	2580717

#### Glass Stop - Sidelight / Stile / Laminated Monolithic

	Unit No.	Length	White DP Upgrade	Pine DP Upgrade
	<b>FWT 11</b>	6 <sup>1</sup> / <sub>8</sub>	2580921	2580918
	<b>FWT 16</b>	11 <sup>1</sup> / <sub>8</sub>	2580922	2581516
	<b>FWT 110</b>	15 <sup>1</sup> / <sub>8</sub>	2580923	2580920

#### Glass Stop - Transom / Rail

	Unit No.	Length	Maple	Oak
	<b>FWSL13</b>	6 <sup>13</sup> / <sub>16</sub>	2580715	2580615
	<b>FWSL17</b>	10 <sup>13</sup> / <sub>16</sub>	2580717	2580617
	<b>FWT21</b>	13 <sup>3</sup> / <sub>4</sub>	2514418	2514018
	<b>FWT27</b>	19 <sup>3</sup> / <sub>8</sub>	2514419	2514019
	<b>FWT29</b>	21 <sup>3</sup> / <sub>8</sub>	2514420	2514020
	<b>FWT31</b>	25 <sup>3</sup> / <sub>8</sub>	2514421	2514021
	<b>FWT41</b>	37 <sup>1</sup> / <sub>4</sub>	2514422	2514022
	<b>FWT50</b>	48 <sup>1</sup> / <sub>2</sub>	2514423	2514023
	<b>FWT54</b>	52 <sup>1</sup> / <sub>2</sub>	2514424	2514024
	<b>FWT60</b>	60 <sup>1</sup> / <sub>2</sub>	2514425	2514025

#### Glass Stop - Transom / Stile

	Unit No.	Length	Maple	Oak
	<b>FWT11</b>	6 <sup>1</sup> / <sub>8</sub>	2514518	2514118
	<b>FWT16</b>	11 <sup>1</sup> / <sub>8</sub>	2514519	2514119
	<b>FWT110</b>	15 <sup>1</sup> / <sub>8</sub>	2514520	2514120



# 400 Series Frenchwood® Patio Door Sidelights & Transoms

## Service Replacement

### Service Replacement Only Parts

#### Service Replacement Only Parts

**Note:**

This section is specifically designed for parts that should only be ordered if a Territory Service Manager/Service Provider Company has requested them to be ordered or if the customer agrees to also pay for a non-warranty repair/replace service job (subject to availability) for these parts to be installed. We do not recommend anyone other than a trained AW employee or Service Provider install these parts due to the complexity of installation, modifications required for installation and/or requirement of special tools.

#### Frames

**Note:**

Replacement frames are available by description or configured.

**Frame types:**

Sidelight, Transom.

**Exterior color options:**

White, Terratone®, Sandtone, Forest Green.

**Interior finish options:**

Pine, Maple, Oak, Pre-finished white.

*To order, state:*

1. **Description of part (Frame Only)**
2. **Door Type**
3. **Size**
4. **Exterior Color**
5. **Interior Finish**
6. **Quantity**
7. **Product ID**

#### Jambs

##### Jamb - Head / Side

**Note:**

Replacement jambs are available by description.

#### Sills

##### Sill Service Kit

**Note:**

Replacement sill are available by description.

#### Corner Lock - Sidelight / Sill Jamb

	<b>Order No.</b>
	2579466

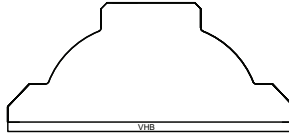
## Service Replacement Only Parts

### Exterior Grilles - HDN

#### Exterior Grille - HDN / Lineal / PVC

**Note:**

These grilles can only be ordered by SAR/SPC.



Length	White			Terratone			Sandtone		
	3/4"	7/8"	1 1/8"	3/4"	7/8"	1 1/8"	3/4"	7/8"	1 1/8"
<b>60 in</b>	2322030	2322034	2322038	N/A	N/A	N/A	N/A	N/A	N/A
<b>84 in</b>	2322031	2322035	2322039	N/A	N/A	N/A	N/A	N/A	N/A