

What's in This Section

Single Panel, 2-Panel, and Stationary Panel	Page 5
Parts Illustration	5
Parts Illustration - Single Panel	5
Parts Illustration - 2-Panel	6
Unit Sizes	7
Standard and Custom Door Sizes	7
400 Series Product Label	7
Unit Size Chart - 68 Height	8
Unit Size Chart - 611 Height	9
Unit Size Chart - 80 Height	10
Panel Replacement Reference	11
Product History	12
Milestones	12
Panels - Active	13
Active Panel Graphic	13
Active Panel Size Table	15
Active Panels / Single Doors	16
Active Panels / Double Doors (AP)	19
Active Panels / Double Doors (PA)	23
Panels - Passive	27
Passive Panel Graphic	27
Passive Panel Size Table	28
Passive Panels	28
Panel Astragal Kit (AP) - Passive / Stainless Steel Hardware (2003 - 2016)	33
Panel Astragal Kit (PA) - Passive / Stainless Steel Hardware (2003 - 2016)	34
Panel Astragal (AP) - Passive / Zinc Dichromate Hardware (1998 - 2003)	35
Panel Astragal (PA) - Passive / Zinc Dichromate Hardware (1998 - 2003)	35
Passive Panel Hardware	36
Panels - Stationary	37
Stationary Panel Graphic	37
Stationary Panel Size Table	38
Stationary Panels	38
Stationary Panel Clips	42
Shared Panel Parts	43
Water Bars	43
Weatherstrip - Gasket	43
Panel Glazing Stops	43

Insect Screens	44
Insect Screens / Retractable / (2007 - 2016)	44
Insect Screens Parts / Retractable / (2007 - 2016)	45
Insect Screens / Retractable / (5/2003 - 5/2007)	53
Insect Screen Parts / Retractable / (5/2003 - 5/2007)	53
Insect Screens / Retractable / (1999 - 4/2003)	57
Grilles	58
Interior Grilles - Custom	58
Interior Grilles - Colonial / 7/8" Wood / Natural Interior	58
Interior Grilles - Colonial / 7/8" Wood / Prefinished Interior	60
Interior Grilles - Prairie A / 7/8" Wood / Natural Interior	61
Interior Grilles - Prairie A / 7/8" Wood / Prefinished Interior	63
Interior Grille Parts	64
Hardware	65
Andersen® Half Trim Set Kits - Interior	65
Andersen® Half Trim Set Kits - Exterior	66
Construction Trim Set	67
Andersen® Hardware - Tribeca®	68
Andersen® Hardware - Anvers®	72
Andersen® Hardware - Albany	75
Andersen® Hardware - Newbury®	78
Andersen® Hardware - Covington™	82
Andersen® Hardware - Whitmore®	85
Andersen® Hardware - Encino®	89
Andersen® Hardware - Yuma®	92
Andersen® Shared Trim Set Parts	95
Lock Mechanisms / Current	98
Hook / Flush / Latch Bolt Replacement Reference / Current	101
Hook Bolt Parts / Current	102
Flush Bolt Parts / Current	102
Latch Bolt Parts / Current	102
Key Lock Parts / Current	103
Hinge Parts / Current	105
Miscellaneous Hardware Parts	106
Fasteners	107
Frames	109
Frames Assembly	109
Sill Components	110
Installation Flanges	110
Installation Kits	110
Panel Stops	112
Extension Jambs	113
Miscellaneous Frame Parts	114

Joining Components	115
Narrow Mull Joining Kits	115
Support Mull Joining Kits	116
LVL Joining Kit Components - Vintage	117
Universal Drip Cap - Continuous	119
Art Glass Components	120
Art Glass Trim Stops	120
Art Glass Hardware	120
Stormwatch® Protection (Coastal Product)	Page 121
Panels - Active	121
Panels - Active / Single Door	121
Panels - Active / Double Doors (AP)	126
Panels - Active / Double Doors (PA)	129
Panels - Passive	133
Passive Panels	133
Panels - Stationary	136
Stationary Panels	136
Hardware	139
Lock Mechanism (Impact Resistant)	139
Lock Hardware	139
Stops	140
Panel Stops (Impact Resistant)	140
Service Replacement	Page 141
Service Replacement Only Parts	141
Service Replacement Only Parts	141
Hardware Accessory Package - Stationary	141
Gasket Shim	141
Filler	142
Grilles	143
Exterior Grilles - High Definition (HDN)	143
Exterior Grilles - Low Definition (LDN)	143
Exterior Grilles - Colonial / 7/8"	144
Interior Grilles - High Definition (HDN)	145
Hardware	146
Trim Set Hardware / Vintage	146
Lock Mechanisms - Tapered	147
Lock Bolt with Cover	147
Hook Bolt Parts / Vintage	147

Flush Bolt Parts / Vintage	148
Latch Bolt Parts / Vintage	148
Hinge Parts	148
Miscellaneous Hardware Parts	149
Frames	150
Corner Lock - Extension Jamb	150
Service Guides	150

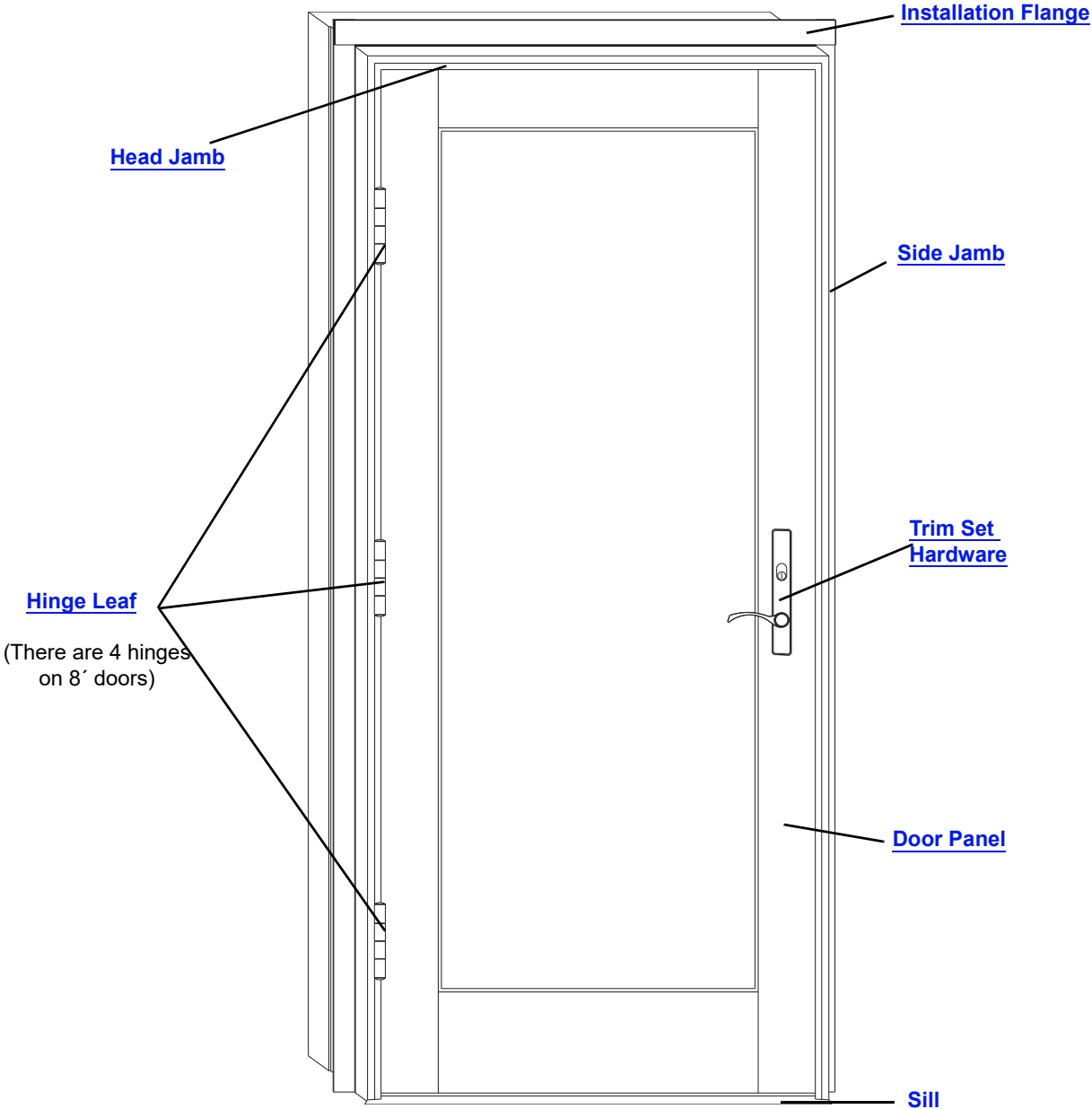
400 Series Frenchwood® Outswing Doors (1997 to 2016)

Single Panel, 2-Panel, and Stationary Panel

Parts Illustration

Parts Illustration - Single Panel

Note:
See [Product Details](#).



Manufactured 1997 to 2016

Frenchwood Outswing Door Unit Parts - Single Panel

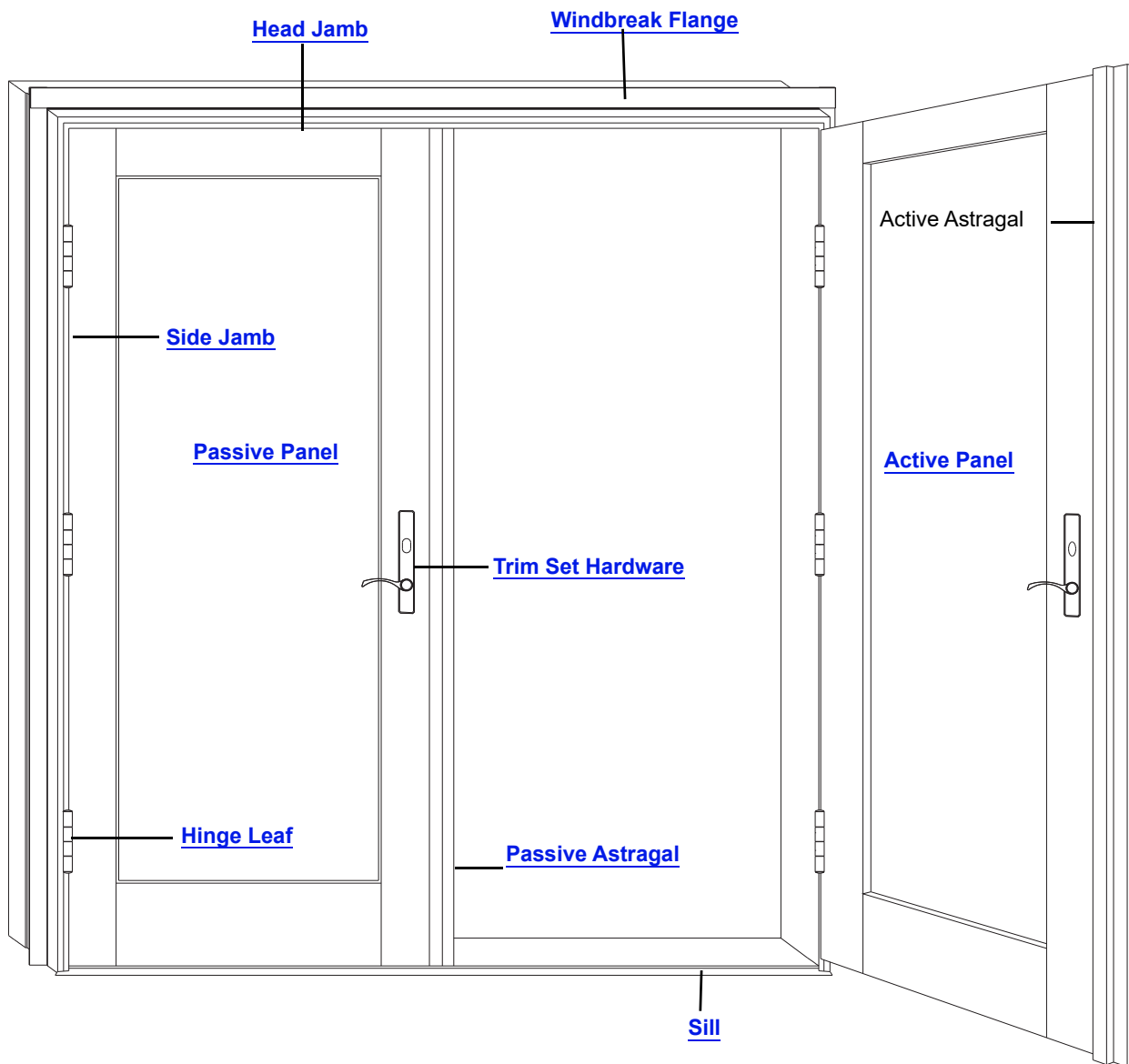
Unit viewed from exterior.

Parts Illustration

Parts Illustration - 2-Panel

Note:

8' doors have 4 hinges per side. See [Product Details](#).



Manufactured 1998 to 2016

Frenchwood Outswing Door Unit Parts - 2-Panel Active/Passive and Passive/Active

Unit viewed from exterior.

400 Series Frenchwood® Outswing Doors (1997 to 2016)

Single Panel, 2-Panel, and Stationary Panel

Unit Sizes

Standard and Custom Door Sizes

Note:

400 Series Frenchwood Outswing Doors are available in standard sizes (see standard size charts, [page 8](#)). Replacement parts for some standard doors can be ordered using the numbers listed in this catalog. Many replacement parts for standard doors are made to order. These items are ordered using the Product ID found on the identification label and a description of the part needed. See [Service Guide 9051877](#).

400 Series Frenchwood Outswing Doors are also available in custom sizes in 1/8" increments between the smallest and the largest standard sizes. Most replacement parts for custom-sized doors are made to order and can be ordered with the Product ID found on the identification label and a description of the part needed. See [Service Guide 9051877](#).

400 Series Product Label

Note:

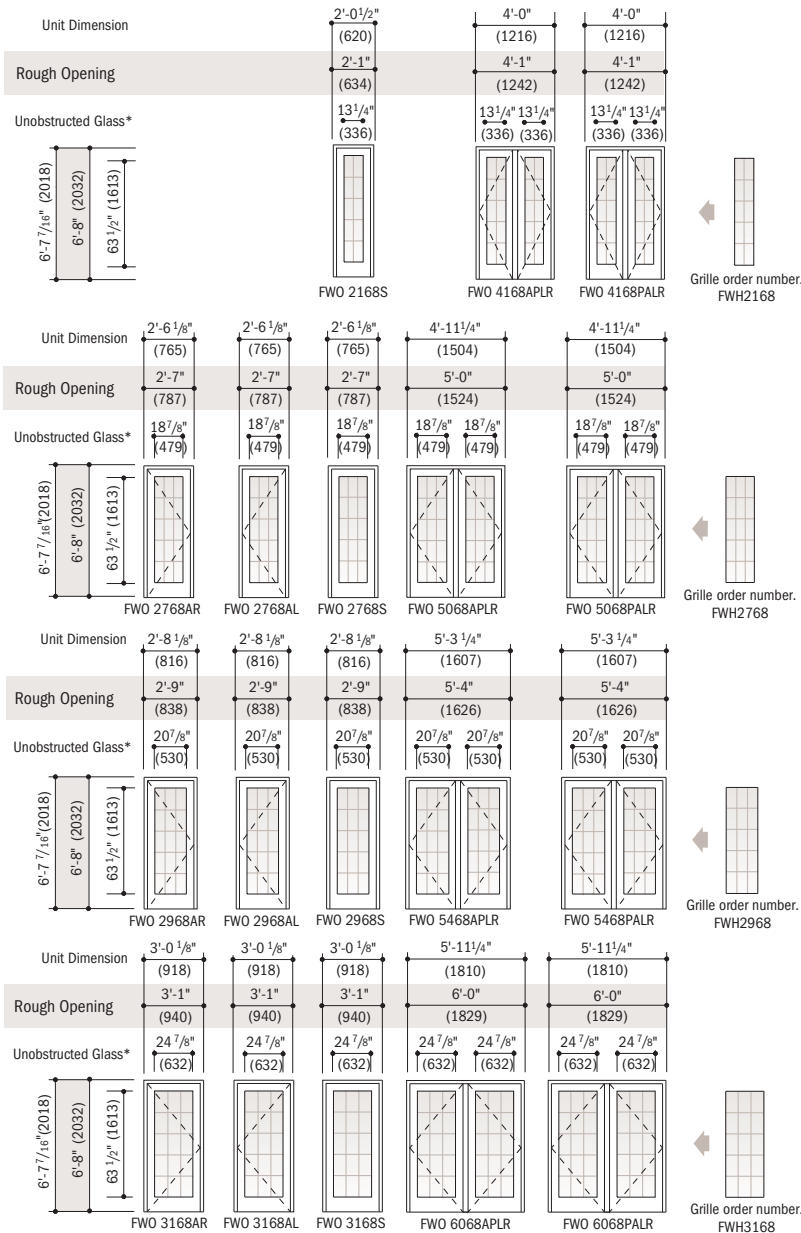
Every 400 Series Frenchwood Outswing Door will have an identification label **or** glass etching containing a unique Product ID. The Product ID on 400 Series Frenchwood Outswing Doors will be located at the top of the door frame or etched in the glass. See [Service Guide 9051877](#). The Product ID may be up to 14 digits long (excluding hyphens), depending on the age of the unit. Replacement parts will also get their own unique Product ID. When ordering replacement parts, providing the Product ID ensures that replacement parts match the specifications.

Unit Sizes

Unit Size Chart - 68 Height

Note:

Unit Dimension refers to overall outside-to-outside frame. Unobstructed Glass refers to visible glass dimensions. Numbers in parentheses are metric measurements. See [Measuring Visible Glass Video](#). See [Product Details](#).



Frenchwood Outswing Door Unit Sizes - 68 Height

Unit viewed from exterior.

400 Series Frenchwood® Outswing Doors (1997 to 2016)

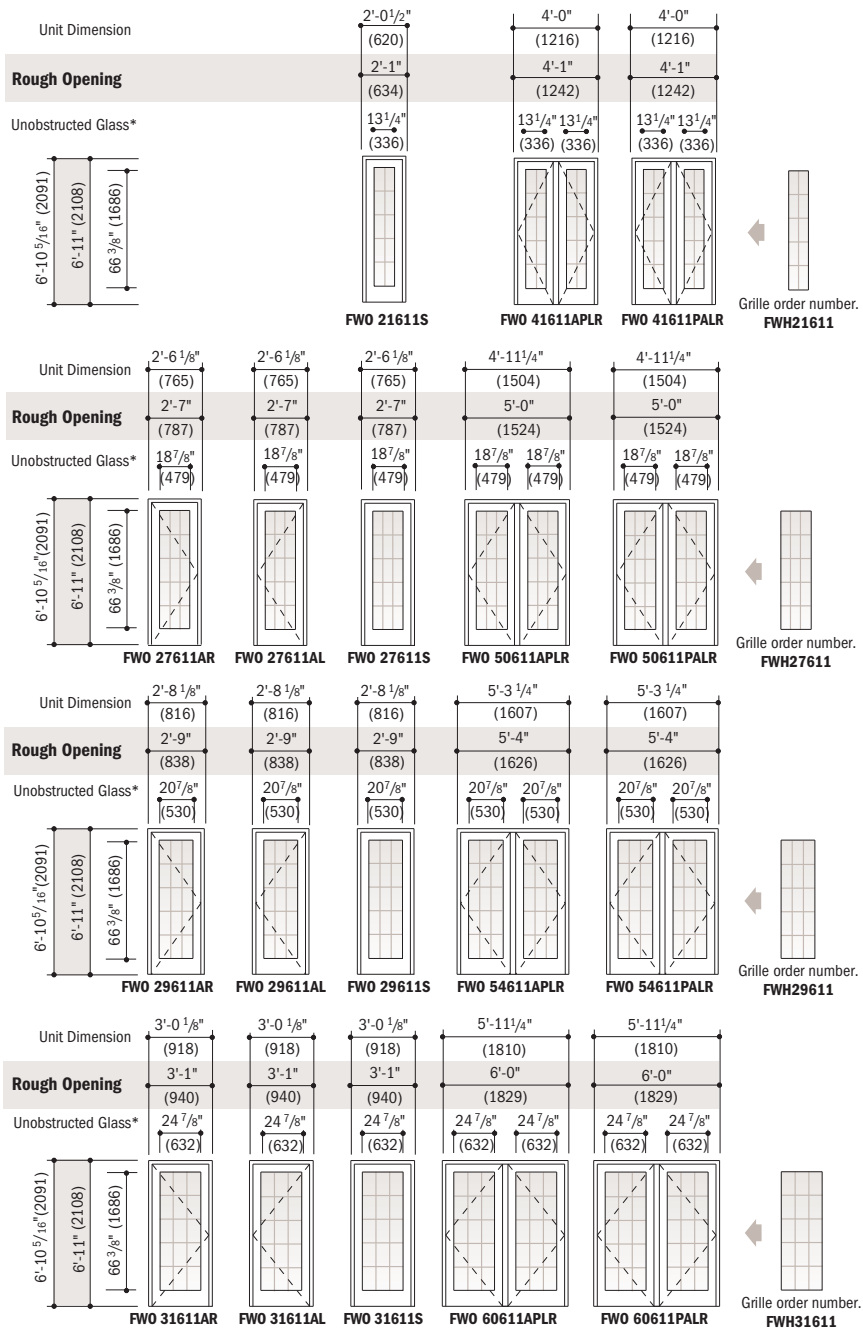
Single Panel, 2-Panel, and Stationary Panel

Unit Sizes

Unit Size Chart - 611 Height

Note:

Unit Dimension refers to overall outside-to-outside frame. Unobstructed Glass refers to visible glass dimensions. Numbers in parentheses are metric measurements. See [Measuring Visible Glass Video](#). See [Product Details](#).



Frenchwood Outswing Door Unit Sizes - 611 Height

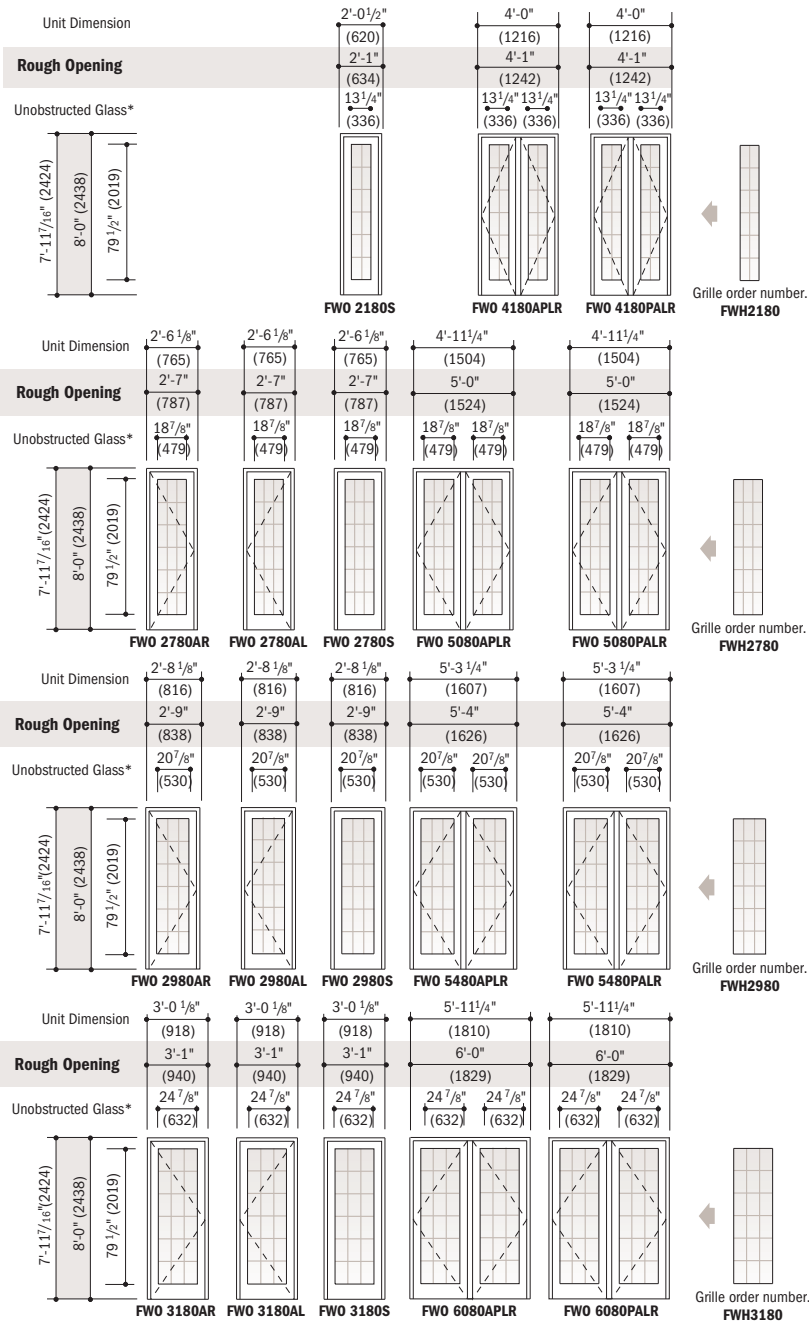
Unit viewed from exterior.

Unit Sizes

Unit Size Chart - 80 Height

Note:

Unit Dimension refers to overall outside-to-outside frame. Unobstructed Glass refers to visible glass dimensions. Numbers in parentheses are metric measurements. See [Measuring Visible Glass Video](#). See [Product Details](#).



Frenchwood Outswing Door Unit Sizes - 80 Height

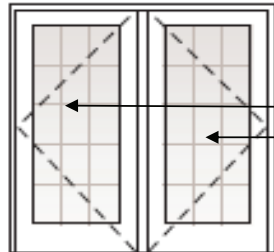
Unit viewed from exterior.

400 Series Frenchwood® Outswing Doors (1997 to 2016)

Single Panel, 2-Panel, and Stationary Panel

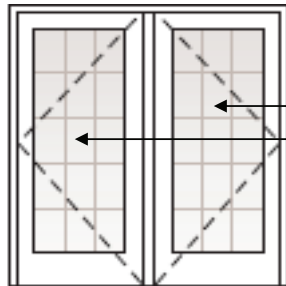
Unit Sizes

Panel Replacement Reference



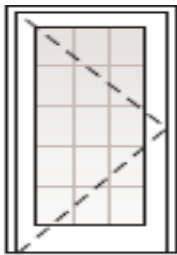
UNIT HANDING = FWOD APLR

ACTIVE REP PANEL HANDING = AP
PASSIVE REP PANEL HANDING = PR

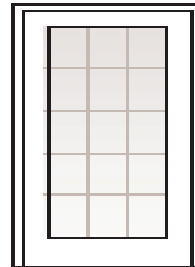


UNIT HANDING = FWOD PALR

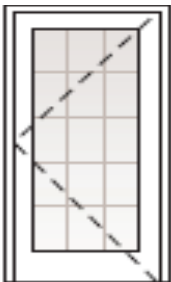
ACTIVE REP PANEL HANDING = PA
PASSIVE REP PANEL HANDING = PL



UNIT HANDING = FWODAR
REP PANEL HANDING = AR



UNIT HANDING = FWODS
REP PANEL HANDING = S



UNIT HANDING = FWODAL
REP PANEL HANDING = AL

Product History

Milestones

- 2012** Decommission of Andersen® 400 Series Frenchwood® Patio Doors with Stormwatch® Protection.
- 2009** Albany hardware in finishes of White, Stone, Gold Dust and Black introduced.
- 2007** Custom sizes introduced in Product Guide for Professionals. See [Standard and Custom Door Size](#).
- 2004** Hardware finishes of Distressed Bronze and Distressed Nickel introduced.
- 2004** Hardware collections with seven hardware styles introduced
- 2003** Stormwatch™ Protection (Coastal Product) with design pressure upgrades, glass options, and structural enhancements introduced for Frenchwood Outswing and Frenchwood Hinged units.
- 2001** Forest Green introduced.
- 1999** Estate and Metro hardware introduced.
- 1997** Frenchwood Outswing Doors introduced.

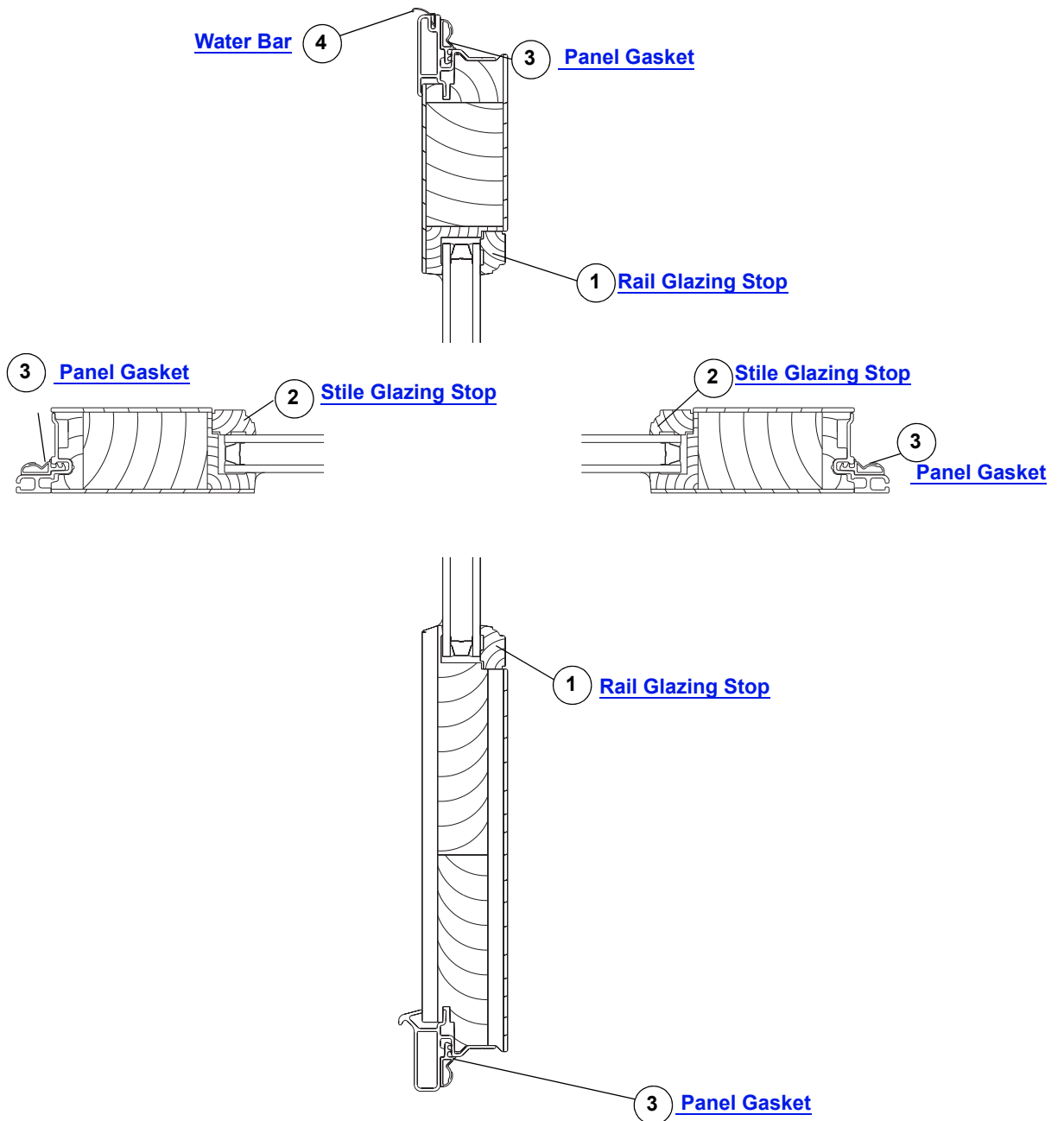
400 Series Frenchwood® Outswing Doors (1997 to 2016)

Single Panel, 2-Panel, and Stationary Panel

Panels - Active

Active Panel Graphic

Panel - Active / Single Door / AR/AL

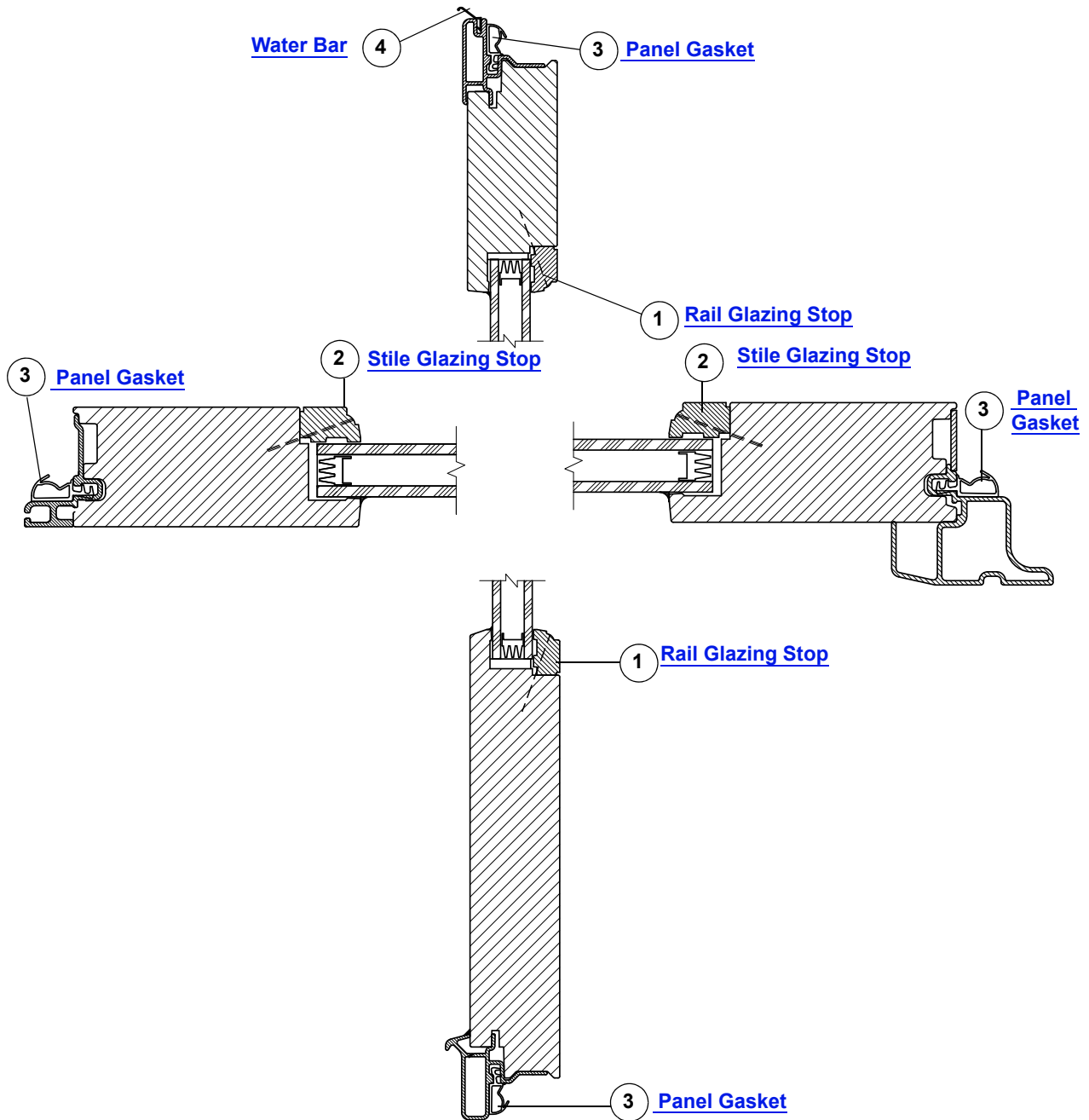


Frenchwood Outswing Door Active Panel - Single Door (AR/AL)

Panels - Active

Panels - Active

Panel - Active / Double Door / AP/PA



Frenchwood Outswing Door Active Panel - Double Door (AP/PA)

400 Series Frenchwood® Outswing Doors (1997 to 2016)

Single Panel, 2-Panel, and Stationary Panel

Panels - Active

Active Panel Size Table

Note:

Active Panel is measured outside edge to outside edge of frame.

Unobstructed Glass is dimension from outside edge to outside edge of visible glass only.

Actual Glass is dimension of outside edge to outside edge of glass, including glass that is not visible.

1" finelight profile is standard, with color matching exterior color of panel.

Maple and Oak finishes introduced in 2003.

White painted finish in 2000.

White PVC veneer wrap in 2002.

An active panel for a single door cannot be used in double (AP/PA) doors. This product is not intended to be reglazed. Panels with defective glass should be replaced.

Size Table - Active Panel / Single Door (AR/AL)

Unit No.	Active Panel (w x h)	Unobstructed Glass (w x h)	Actual Glass (w x h)
FWO2768A	28 1/2 x 78 1/16	18 7/8 x 63 1/2	20 x 64 9/16
FWO27611A	28 1/2 x 80 15/16	18 7/8 x 66 3/8	20 x 67 9/16
FWO2780A	28 1/2 x 94 1/16	18 7/8 x 79 1/2	20 x 80 9/16
FWO2968A	30 1/2 x 78 1/16	20 7/8 x 63 1/2	22 x 64 9/16
FWO29611A	30 1/2 x 80 15/16	20 7/8 x 66 3/8	22 x 67 9/16
FWO2980A	30 1/2 x 94 1/16	20 7/8 x 79 1/2	22 x 80 9/16
FWO3168A	34 1/2 x 78 1/16	24 7/8 x 63 1/2	26 x 64 9/16
FWO31611A	34 1/2 x 80 15/16	24 7/8 x 66 3/8	26 x 67 9/16
FWO3180A	34 1/2 x 94 1/16	24 7/8 x 79 1/2	26 x 80 9/16

Size Table - Active Panel / Double Door (AP/PA)

Unit No.	Active Panel (w x h)	Unobstructed Glass (w x h)	Actual Glass (w x h)
FWO2168	22 7/8 x 78 1/16	13 1/4 x 63 1/2	14 3/8 x 64 9/16
FWO21611	22 7/8 x 80 15/16	13 1/4 x 66 3/8	14 3/8 x 67 9/16
FWO2180	22 7/8 x 94 1/16	13 1/4 x 79 1/2	14 3/8 x 80 9/16
FWO2768	28 1/2 x 78 1/16	18 7/8 x 63 1/2	20 x 64 9/16
FWO27611	28 1/2 x 80 15/16	18 7/8 x 66 3/8	20 x 67 9/16
FWO2780	28 1/2 x 94 1/16	18 7/8 x 79 1/2	20 x 80 9/16
FWO2968	30 1/2 x 78 1/16	20 7/8 x 63 1/2	22 x 64 9/16
FWO29611	30 1/2 x 80 15/16	20 7/8 x 66 3/8	22 x 67 9/16
FWO2980	30 1/2 x 94 1/16	20 7/8 x 79 1/2	22 x 80 9/16
FWO3168	34 1/2 x 78 1/16	24 7/8 x 63 1/2	26 x 64 9/16
FWO31611	34 1/2 x 80 15/16	24 7/8 x 66 3/8	26 x 67 9/16
FWO3180	34 1/2 x 94 1/16	24 7/8 x 79 1/2	26 x 80 9/16

Panels - Active

Active Panels / Single Doors

Note:

Replacement panel for standard and custom-sized doors is made to order. Panel includes gasket. See [Service Guide 0005225](#).

Panel - Active / Single Door / High-Performance-Low-E4® Tempered / Pine Interior

Unit No.	Pine Interior/ White Exterior		Pine Interior/ Terratone Exterior		Pine Interior/ Sandtone Exterior		Pine Interior/ Forest Green Exterior	
	Left	Right	Left	Right	Left	Right	Left	Right
FWO2768A	By description	By description	By description	By description	By description	By description	By description	By description
FWO27611A	By description	By description	By description	By description	By description	By description	By description	By description
FWO2780A	By description	By description	By description	By description	By description	By description	By description	By description
FWO2968A	By description	By description	By description	By description	By description	By description	By description	By description
FWO29611A	By description	By description	By description	By description	By description	By description	By description	By description
FWO2980A	By description	By description	By description	By description	By description	By description	By description	By description
FWO3168A	By description	By description	By description	By description	By description	By description	By description	By description
FWO31611A	By description	By description	By description	By description	By description	By description	By description	By description
FWO3180A	By description	By description	By description	By description	By description	By description	By description	By description

Panel - Active / Single Door / High-Performance-Low-E4® Tempered / Maple Interior

Unit No.	Maple Interior/ White Exterior		Maple Interior/ Terratone Exterior		Maple Interior/ Sandtone Exterior		Maple Interior/ Forest Green Exterior	
	Left	Right	Left	Right	Left	Right	Left	Right
FWO2768A	By description	By description	By description	By description	By description	By description	By description	By description
FWO27611A	By description	By description	By description	By description	By description	By description	By description	By description
FWO2780A	By description	By description	By description	By description	By description	By description	By description	By description
FWO2968A	By description	By description	By description	By description	By description	By description	By description	By description
FWO29611A	By description	By description	By description	By description	By description	By description	By description	By description
FWO2980A	By description	By description	By description	By description	By description	By description	By description	By description
FWO3168A	By description	By description	By description	By description	By description	By description	By description	By description
FWO31611A	By description	By description	By description	By description	By description	By description	By description	By description
FWO3180A	By description	By description	By description	By description	By description	By description	By description	By description

400 Series Frenchwood® Outswing Doors (1997 to 2016)

Single Panel, 2-Panel, and Stationary Panel

Panels - Active

Panel - Active / Single Door / High-Performance-Low-E4® Tempered / Oak Interior								
Unit No.	Oak Interior/ White Exterior		Oak Interior/ Terratone Exterior		Oak Interior/ Sandtone Exterior		Oak Interior/ Forest Green Exterior	
	Left	Right	Left	Right	Left	Right	Left	Right
FWO2768A	By description	By description	By description	By description	By description	By description	By description	By description
FWO27611A	By description	By description	By description	By description	By description	By description	By description	By description
FWO2780A	By description	By description	By description	By description	By description	By description	By description	By description
FWO2968A	By description	By description	By description	By description	By description	By description	By description	By description
FWO29611A	By description	By description	By description	By description	By description	By description	By description	By description
FWO2980A	By description	By description	By description	By description	By description	By description	By description	By description
FWO3168A	By description	By description	By description	By description	By description	By description	By description	By description
FWO31611A	By description	By description	By description	By description	By description	By description	By description	By description
FWO3180A	By description	By description	By description	By description	By description	By description	By description	By description

Panel - Active / Single Door / High-Performance-Low-E4® Tempered / Interior White			
Unit No.	White Interior / White Exterior		
	Left	Right	
FWO2768A	By description	By description	
FWO27611A	By description	By description	
FWO2780A	By description	By description	
FWO2968A	By description	By description	
FWO29611A	By description	By description	
FWO2980A	By description	By description	
FWO3168A	By description	By description	
FWO31611A	By description	By description	
FWO3180A	By description	By description	

Panel - Active / Single Door / High-Performance-Low-E4® Sun 3 Tempered / Pine Interior						
Unit No.	Pine Interior/ White Exterior		Pine Interior/ Terratone Exterior		Pine Interior/ Sandtone Exterior	
	Left	Right	Left	Right	Left	Right
FWO2768A	By description	By description	By description	By description	By description	By description
FWO27611A	By description	By description	By description	By description	By description	By description
FWO2780A	By description	By description	By description	By description	By description	By description
FWO2968A	By description	By description	By description	By description	By description	By description
FWO29611A	By description	By description	By description	By description	By description	By description
FWO2980A	By description	By description	By description	By description	By description	By description
FWO3168A	By description	By description	By description	By description	By description	By description
FWO31611A	By description	By description	By description	By description	By description	By description
FWO3180A	By description	By description	By description	By description	By description	By description

Panels - Active

Panel - Active / Single Door / High-Performance-Low-E4® Sun 3 Tempered / Maple Interior						
Unit No.	Maple Interior/ White Exterior		Maple Interior/ Terratone Exterior		Maple Interior/ Sandtone Exterior	
	Left	Right	Left	Right	Left	Right
FWO2768A	By description	By description	By description	By description	By description	By description
FWO27611A	By description	By description	By description	By description	By description	By description
FWO2780A	By description	By description	By description	By description	By description	By description
FWO2968A	By description	By description	By description	By description	By description	By description
FWO29611A	By description	By description	By description	By description	By description	By description
FWO2980A	By description	By description	By description	By description	By description	By description
FWO3168A	By description	By description	By description	By description	By description	By description
FWO31611A	By description	By description	By description	By description	By description	By description
FWO3180A	By description	By description	By description	By description	By description	By description

Panel - Active / Single Door / High-Performance-Low-E4® Sun 3 Tempered / Oak Interior						
Unit No.	Oak Interior/ White Exterior		Oak Interior/ Terratone Exterior		Oak Interior/ Sandtone Exterior	
	Left	Right	Left	Right	Left	Right
FWO2768A	By description	By description	By description	By description	By description	By description
FWO27611A	By description	By description	By description	By description	By description	By description
FWO2780A	By description	By description	By description	By description	By description	By description
FWO2968A	By description	By description	By description	By description	By description	By description
FWO29611A	By description	By description	By description	By description	By description	By description
FWO2980A	By description	By description	By description	By description	By description	By description
FWO3168A	By description	By description	By description	By description	By description	By description
FWO31611A	By description	By description	By description	By description	By description	By description
FWO3180A	By description	By description	By description	By description	By description	By description

Panel - Active / Single Door / High-Performance-Low-E4® Sun 3 Tempered / Interior White			
	Unit No.	White Interior / White Exterior	
		Left	Right
	FWO2768A	By description	By description
	FWO27611A	By description	By description
	FWO2780A	By description	By description
	FWO2968A	By description	By description
	FWO29611A	By description	By description
	FWO2980A	By description	By description
	FWO3168A	By description	By description
	FWO31611A	By description	By description
	FWO3180A	By description	By description

Panel - Active / Single Door / High-Performance Sun II Tempered
Note: Available by description.

400 Series Frenchwood® Outswing Doors (1997 to 2016)

Single Panel, 2-Panel, and Stationary Panel

Panels - Active

Active Panels / Double Doors (AP)

Note:

An active panel for a double door cannot be used in a single door. Panel includes gasket. See [Service Guide 0005225](#).

Panel with Astragal - Active / Double Door (AP) / High-Performance-Low-E4® Tempered / Pine Interior

	Unit No.	Pine Interior/ White Exterior	Pine Interior/ Terratone Exterior	Pine Interior/ Sandtone Exterior	Pine Interior/ Forest Green Exterior
	FWO2168AP	By description	By description	By description	By description
	FWO21611AP	By description	By description	By description	By description
	FWO2180AP	By description	By description	By description	By description
	FWO2768AP	By description	By description	By description	By description
	FWO27611AP	By description	By description	By description	By description
	FWO2780AP	By description	By description	By description	By description
	FWO2968AP	By description	By description	By description	By description
	FWO29611AP	By description	By description	By description	By description
	FWO2980AP	By description	By description	By description	By description
	FWO3168AP	By description	By description	By description	By description
	FWO31611AP	By description	By description	By description	By description
	FWO3180AP	By description	By description	By description	By description

Panel with Astragal - Active / Double Door (AP) / High-Performance-Low-E4® Tempered / Maple Interior

Note:

Available by description.

Panel with Astragal - Active / Double Door (AP) / High-Performance-Low-E4® Tempered / Oak Interior

	Unit No.	Oak Interior/ White Exterior	Oak Interior/ Terratone Exterior	Oak Interior/ Sandtone Exterior	Oak Interior/ Forest Green Exterior
	FWO2168AP	By description	By description	By description	By description
	FWO21611AP	By description	By description	By description	By description
	FWO2180AP	By description	By description	By description	By description
	FWO2768AP	By description	By description	By description	By description
	FWO27611AP	By description	By description	By description	By description
	FWO2780AP	By description	By description	By description	By description
	FWO2968AP	By description	By description	By description	By description
	FWO29611AP	By description	By description	By description	By description
	FWO2980AP	By description	By description	By description	By description
	FWO3168AP	By description	By description	By description	By description
	FWO31611AP	By description	By description	By description	By description
	FWO3180AP	By description	By description	By description	By description

Panels - Active

Panel with Astragal - Active / Double Door (AP) / HP-Low-E4® Tempered / Interior White		
	Unit No.	White Interior / White Exterior
	FWO2168AP	By description
	FWO21611AP	By description
	FWO2180AP	By description
	FWO2768AP	By description
	FWO27611AP	By description
	FWO2780AP	By description
	FWO2968AP	By description
	FWO29611AP	By description
	FWO2980AP	By description
	FWO3168AP	By description
	FWO31611AP	By description
	FWO3180AP	By description

Panel with Astragal - Active / Double Door (AP) / High-Performance-Low-E4® Sun 3 Tempered / Pine Interior				
	Unit No.	Pine Interior/ White Exterior	Pine Interior/ Terratone Exterior	Pine Interior/ Sandtone Exterior
	FWO2168AP	By description	By description	By description
	FWO21611AP	By description	By description	By description
	FWO2180AP	By description	By description	By description
	FWO2768AP	By description	By description	By description
	FWO27611AP	By description	By description	By description
	FWO2780AP	By description	By description	By description
	FWO2968AP	By description	By description	By description
	FWO29611AP	By description	By description	By description
	FWO2980AP	By description	By description	By description
	FWO3168AP	By description	By description	By description
	FWO31611AP	By description	By description	By description
	FWO3180AP	By description	By description	By description

400 Series Frenchwood® Outswing Doors (1997 to 2016)

Single Panel, 2-Panel, and Stationary Panel

Panels - Active

Panel with Astragal - Active / Double Door (AP) / High-Performance-Low-E4® Sun 3 Tempered / Maple Interior				
	Unit No.	Maple Interior/ White Exterior	Maple Interior/ Terratone Exterior	Maple Interior/ Sandtone Exterior
	FWO2168AP	By description	By description	By description
	FWO21611AP	By description	By description	By description
	FWO2180AP	By description	By description	By description
	FWO2768AP	By description	By description	By description
	FWO27611AP	By description	By description	By description
	FWO2780AP	By description	By description	By description
	FWO2968AP	By description	By description	By description
	FWO29611AP	By description	By description	By description
	FWO2980AP	By description	By description	By description
	FWO3168AP	By description	By description	By description
	FWO31611AP	By description	By description	By description
	FWO3180AP	By description	By description	By description
Panel with Astragal - Active / Double Door (AP) / High-Performance-Low-E4® Sun 3 Tempered / Oak Interior				
	Unit No.	Oak Interior/ White Exterior	Oak Interior/ Terratone Exterior	Oak Interior/ Sandtone Exterior
	FWO2168AP	By description	By description	By description
	FWO21611AP	By description	By description	By description
	FWO2180AP	By description	By description	By description
	FWO2768AP	By description	By description	By description
	FWO27611AP	By description	By description	By description
	FWO2780AP	By description	By description	By description
	FWO2968AP	By description	By description	By description
	FWO29611AP	By description	By description	By description
	FWO2980AP	By description	By description	By description
	FWO3168AP	By description	By description	By description
	FWO31611AP	By description	By description	By description
	FWO3180AP	By description	By description	By description

Panels - Active

Panel with Astragal - Active / Double Door (AP) / High-Performance-Low-E4® Sun 3 Tempered / Interior White		
	Unit No.	White Interior / White Exterior
	FWO2168AP	By description
	FWO21611AP	By description
	FWO2180AP	By description
	FWO2768AP	By description
	FWO27611AP	By description
	FWO2780AP	By description
	FWO2968AP	By description
	FWO29611AP	By description
	FWO2980AP	By description
	FWO3168AP	By description
	FWO31611AP	By description
	FWO3180AP	By description

Panel with Astragal - Active / Double Door (AP) / High-Performance Sun II Tempered
<p>Note: Available by description.</p>

400 Series Frenchwood® Outswing Doors (1997 to 2016)

Single Panel, 2-Panel, and Stationary Panel

Panels - Active

Active Panels / Double Doors (PA)

Note:

An active panel for a double door cannot be used in a single door. The active panel is the door that opens first from the exterior and is on the right side of a PA unit when viewed from the exterior. Panel includes gasket. See [Service Guide 0005225](#).

Panel with Astragal - Active / Double Door (PA) / High-Performance-Low-E4® Tempered / Pine Interior

	Unit No.	Pine Interior/ White Exterior	Pine Interior/ Terratone Exterior	Pine Interior/ Sandtone Exterior	Pine Interior/ Forest Green Exterior
	FWO2168PA	By description	By description	By description	By description
	FWO21611PA	By description	By description	By description	By description
	FWO2180PA	By description	By description	By description	By description
	FWO2768PA	By description	By description	By description	By description
	FWO27611PA	By description	By description	By description	By description
	FWO2780PA	By description	By description	By description	By description
	FWO2968PA	By description	By description	By description	By description
	FWO29611PA	By description	By description	By description	By description
	FWO2980PA	By description	By description	By description	By description
	FWO3168PA	By description	By description	By description	By description
	FWO31611PA	By description	By description	By description	By description
	FWO3180PA	By description	By description	By description	By description

Panel with Astragal - Active / Double Door (PA) / High-Performance-Low-E4® Tempered / Maple Interior

	Unit No.	Maple Interior/ White Exterior	Maple Interior/ Terratone Exterior	Maple Interior/ Sandtone Exterior	Maple Interior/ Forest Green Exterior
	FWO2168PA	By description	By description	By description	By description
	FWO21611PA	By description	By description	By description	By description
	FWO2180PA	By description	By description	By description	By description
	FWO2768PA	By description	By description	By description	By description
	FWO27611PA	By description	By description	By description	By description
	FWO2780PA	By description	By description	By description	By description
	FWO2968PA	By description	By description	By description	By description
	FWO29611PA	By description	By description	By description	By description
	FWO2980PA	By description	By description	By description	By description
	FWO3168PA	By description	By description	By description	By description
	FWO31611PA	By description	By description	By description	By description

Panels - Active

Panel with Astragal - Active / Double Door (PA) / High-Performance-Low-E4® Tempered / Oak Interior					
	Unit No.	Oak Interior/ White Exterior	Oak Interior/ Terratone Exterior	Oak Interior/ Sandtone Exterior	Oak Interior/ Forest Green Exterior
	FWO2168PA	By description	By description	By description	By description
	FWO21611PA	By description	By description	By description	By description
	FWO2180PA	By description	By description	By description	By description
	FWO2768PA	By description	By description	By description	By description
	FWO27611PA	By description	By description	By description	By description
	FWO2780PA	By description	By description	By description	By description
	FWO2968PA	By description	By description	By description	By description
	FWO29611PA	By description	By description	By description	By description
	FWO2980PA	By description	By description	By description	By description
	FWO3168PA	By description	By description	By description	By description
	FWO31611PA	By description	By description	By description	By description
	FWO3180PA	By description	By description	By description	By description

Panel with Astragal - Active / Double Door (PA) / HP-Low-E4® Tempered / Interior White		
	Unit No.	White Interior / White Exterior
	FWO2168PA	By description
	FWO21611PA	By description
	FWO2180PA	By description
	FWO2768PA	By description
	FWO27611PA	By description
	FWO2780PA	By description
	FWO2968PA	By description
	FWO29611PA	By description
	FWO2980PA	By description
	FWO3168PA	By description
	FWO31611PA	By description
	FWO3180PA	By description

400 Series Frenchwood® Outswing Doors (1997 to 2016)

Single Panel, 2-Panel, and Stationary Panel

Panels - Active

Panel with Astragal - Active / Double Door (PA) / High-Performance-Low-E4® Sun 3 Tempered / Pine Interior				
	Unit No.	Pine Interior/ White Exterior	Pine Interior/ Terratone Exterior	Pine Interior/ Sandtone Exterior
	FWO2168PA	By description	By description	By description
	FWO21611PA	By description	By description	By description
	FWO2180PA	By description	By description	By description
	FWO2768PA	By description	By description	By description
	FWO27611PA	By description	By description	By description
	FWO2780PA	By description	By description	By description
	FWO2968PA	By description	By description	By description
	FWO29611PA	By description	By description	By description
	FWO2980PA	By description	By description	By description
	FWO3168PA	By description	By description	By description
	FWO31611PA	By description	By description	By description
	FWO3180PA	By description	By description	By description

Panel with Astragal - Active / Double Door (PA) / High-Performance-Low-E4® Sun 3 Tempered / Maple Interior				
	Unit No.	Maple Interior/ White Exterior	Maple Interior/ Terratone Exterior	Maple Interior/ Sandtone Exterior
	FWO2168PA	By description	By description	By description
	FWO21611PA	By description	By description	By description
	FWO2180PA	By description	By description	By description
	FWO2768PA	By description	By description	By description
	FWO27611PA	By description	By description	By description
	FWO2780PA	By description	By description	By description
	FWO2968PA	By description	By description	By description
	FWO29611PA	By description	By description	By description
	FWO2980PA	By description	By description	By description
	FWO3168PA	By description	By description	By description
	FWO31611PA	By description	By description	By description
	FWO3180PA	By description	By description	By description

Panels - Active

Panel with Astragal - Active / Double Door (PA) / High-Performance-Low-E4® Sun 3 Tempered / Oak Interior				
	Unit No.	Oak Interior/ White Exterior	Oak Interior/ Terratone Exterior	Oak Interior/ Sandtone Exterior
	FWO2168PA	By description	By description	By description
	FWO21611PA	By description	By description	By description
	FWO2180PA	By description	By description	By description
	FWO2768PA	By description	By description	By description
	FWO27611PA	By description	By description	By description
	FWO2780PA	By description	By description	By description
	FWO2968PA	By description	By description	By description
	FWO29611PA	By description	By description	By description
	FWO2980PA	By description	By description	By description
	FWO3168PA	By description	By description	By description
	FWO31611PA	By description	By description	By description
	FWO3180PA	By description	By description	By description

Panel with Astragal - Active / Double Door (PA) / High-Performance-Low-E4® Sun 3 Tempered / Interior White		
	Unit No.	White Interior / White Exterior
	FWO2168PA	By description
	FWO21611PA	By description
	FWO2180PA	By description
	FWO2768PA	By description
	FWO27611PA	By description
	FWO2780PA	By description
	FWO2968PA	By description
	FWO29611PA	By description
	FWO2980PA	By description
	FWO3168PA	By description
	FWO31611PA	By description
	FWO3180PA	By description

Panel with Astragal - Active / Double Door (PA) / High-Performance Sun II Tempered
<p>Note: Available by description.</p>

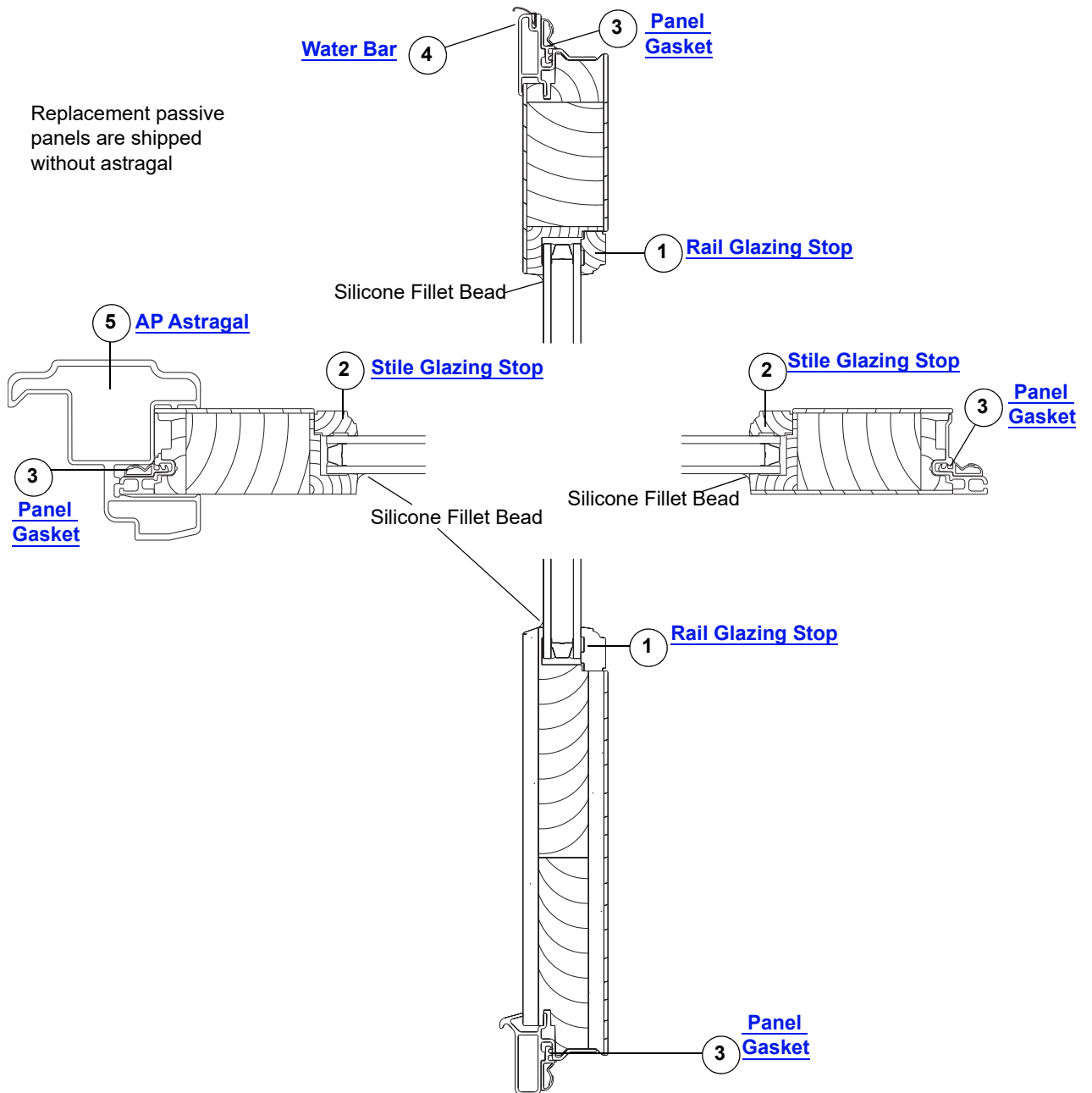
400 Series Frenchwood® Outswing Doors (1997 to 2016)

Single Panel, 2-Panel, and Stationary Panel

Panels - Passive

Passive Panel Graphic

Replacement passive panels are shipped without astragal



Frenchwood Outswing Door AP Passive Right Panel

Panels - Passive

Passive Panel Size Table

Note:

Passive Panel is measured outside edge to outside edge of frame.

Unobstructed Glass is dimension from outside edge to outside edge of visible glass only.

Actual Glass is dimension of outside edge to outside edge of glass, including glass that is not visible.

1" finelight profile is standard, with color matching exterior color of panel.

Maple and Oak finishes introduced in 2003.

White painted finish in 2000.

White PVC veneer wrap in 2002.

Size Table - Passive Panel / Double Door (AP/PA)

Unit No.	Passive Panel (w x h)	Unobstructed Glass (w x h)	Actual Glass (w x h)
FWO2168P	23 ⁵⁹ / ₆₄ × 78 ¹ / ₁₆	13 ¹ / ₄ × 63 ¹ / ₂	14 ³ / ₈ × 64 ⁹ / ₁₆
FWO21611P	23 ⁵⁹ / ₆₄ × 80 ¹⁵ / ₁₆	13 ¹ / ₄ × 66 ³ / ₈	14 ³ / ₈ × 67 ⁹ / ₁₆
FWO2180P	23 ⁵⁹ / ₆₄ × 94 ¹ / ₁₆	13 ¹ / ₄ × 79 ¹ / ₂	14 ³ / ₈ × 80 ⁹ / ₁₆
FWO2768P	29 ³⁵ / ₆₄ × 78 ¹ / ₁₆	18 ⁷ / ₈ × 63 ¹ / ₂	20 × 64 ⁹ / ₁₆
FWO27611P	29 ³⁵ / ₆₄ × 80 ¹⁵ / ₁₆	18 ⁷ / ₈ × 66 ³ / ₈	20 × 67 ⁹ / ₁₆
FWO2780P	29 ³⁵ / ₆₄ × 94 ¹ / ₁₆	18 ⁷ / ₈ × 79 ¹ / ₂	20 × 80 ⁹ / ₁₆
FWO2968P	31 ³⁵ / ₆₄ × 78 ¹ / ₁₆	20 ⁷ / ₈ × 63 ¹ / ₂	22 × 64 ⁹ / ₁₆
FWO29611P	31 ³⁵ / ₆₄ × 80 ¹⁵ / ₁₆	20 ⁷ / ₈ × 66 ³ / ₈	22 × 67 ⁹ / ₁₆
FWO2980P	31 ³⁵ / ₆₄ × 94 ¹ / ₁₆	20 ⁷ / ₈ × 79 ¹ / ₂	22 × 80 ⁹ / ₁₆
FWO3168P	35 ³⁵ / ₆₄ × 78 ¹ / ₁₆	24 ⁷ / ₈ × 63 ¹ / ₂	26 × 64 ⁹ / ₁₆
FWO31611P	35 ³⁵ / ₆₄ × 80 ¹⁵ / ₁₆	24 ⁷ / ₈ × 66 ³ / ₈	26 × 67 ⁹ / ₁₆
FWO3180P	35 ³⁵ / ₆₄ × 94 ¹ / ₁₆	24 ⁷ / ₈ × 79 ¹ / ₂	26 × 80 ⁹ / ₁₆

Passive Panels

Note:

Panel includes gasket. See [Service Guide 0005225](#).

Panel without Astragal - Passive / Double Door (AP/PA) / High-Performance-Low-E4® Tempered / Pine Interior

Unit No.	Pine Interior/ White Exterior		Pine Interior/ Terratone Exterior		Pine Interior/ Sandtone Exterior		Pine Interior/ Forest Green Exterior	
	Left	Right	Left	Right	Left	Right	Left	Right
FWO2168P	By description	By description	By description	By description	By description	By description	By description	By description
FWO21611P	By description	By description	By description	By description	By description	By description	By description	By description
FWO2180P	By description	By description	By description	By description	By description	By description	By description	By description
FWO2768P	By description	By description	By description	By description	By description	By description	By description	By description
FWO27611P	By description	By description	By description	By description	By description	By description	By description	By description
FWO2780P	By description	By description	By description	By description	By description	By description	By description	By description
FWO2968P	By description	By description	By description	By description	By description	By description	By description	By description
FWO29611P	By description	By description	By description	By description	By description	By description	By description	By description
FWO2980P	By description	By description	By description	By description	By description	By description	By description	By description
FWO3168P	By description	By description	By description	By description	By description	By description	By description	By description
FWO31611P	By description	By description	By description	By description	By description	By description	By description	By description
FWO3180P	By description	By description	By description	By description	By description	By description	By description	By description

400 Series Frenchwood® Outswing Doors (1997 to 2016)

Single Panel, 2-Panel, and Stationary Panel

Panels - Passive

Panel without Astragal - Passive / Double Door (AP/PA) / High Performance Tempered / Maple Interior								
Unit No.	Maple Interior/ White Exterior		Maple Interior/ Terratone Exterior		Maple Interior/ Sandtone Exterior		Maple Interior/ Forest Green Exterior	
	Left	Right	Left	Right	Left	Right	Left	Right
FWO2168P	By description	By description	By description	By description	By description	By description	By description	By description
FWO21611P	By description	By description	By description	By description	By description	By description	By description	By description
FWO2180P	By description	By description	By description	By description	By description	By description	By description	By description
FWO2768P	By description	By description	By description	By description	By description	By description	By description	By description
FWO27611P	By description	By description	By description	By description	By description	By description	By description	By description
FWO2780P	By description	By description	By description	By description	By description	By description	By description	By description
FWO2968P	By description	By description	By description	By description	By description	By description	By description	By description
FWO29611P	By description	By description	By description	By description	By description	By description	By description	By description
FWO2980P	By description	By description	By description	By description	By description	By description	By description	By description
FWO3168P	By description	By description	By description	By description	By description	By description	By description	By description
FWO31611P	By description	By description	By description	By description	By description	By description	By description	By description
FWO3180P	By description	By description	By description	By description	By description	By description	By description	By description

Panel without Astragal - Passive / Double Door (AP/PA) / High Performance Tempered / Oak Interior								
Unit No.	Oak Interior/ White Exterior		Oak Interior/ Terratone Exterior		Oak Interior/ Sandtone Exterior		Oak Interior/ Forest Green Exterior	
	Left	Right	Left	Right	Left	Right	Left	Right
FWO2168P	By description	By description	By description	By description	By description	By description	By description	By description
FWO21611P	By description	By description	By description	By description	By description	By description	By description	By description
FWO2180P	By description	By description	By description	By description	By description	By description	By description	By description
FWO2768P	By description	By description	By description	By description	By description	By description	By description	By description
FWO27611P	By description	By description	By description	By description	By description	By description	By description	By description
FWO2780P	By description	By description	By description	By description	By description	By description	By description	By description
FWO2968P	By description	By description	By description	By description	By description	By description	By description	By description
FWO29611P	By description	By description	By description	By description	By description	By description	By description	By description
FWO2980P	By description	By description	By description	By description	By description	By description	By description	By description
FWO3168P	By description	By description	By description	By description	By description	By description	By description	By description
FWO31611P	By description	By description	By description	By description	By description	By description	By description	By description
FWO3180P	By description	By description	By description	By description	By description	By description	By description	By description

Panels - Passive

Panel without Astragal - Passive / Double Door (AP/PA) / High-Performance-Low-E4® Tempered / Interior White			
	Unit No.	White Interior / White Exterior	
		Left	Right
	FWO2168P	By description	By description
	FWO21611P	By description	By description
	FWO2180P	By description	By description
	FWO2768P	By description	By description
	FWO27611P	By description	By description
	FWO2780P	By description	By description
	FWO2968P	By description	By description
	FWO29611P	By description	By description
	FWO2980P	By description	By description
	FWO3168P	By description	By description
	FWO31611P	By description	By description
	FWO3180P	By description	By description

Panel without Astragal - Passive / Double Door (AP/PA) / HP-Low-E4® Sun 3 Tempered / Pine Interior						
Unit No.	Pine Interior/ White Exterior		Pine Interior/ Terratone Exterior		Pine Interior/ Sandtone Exterior	
	Left	Right	Left	Right	Left	Right
FWO2168P	By description	By description	By description	By description	By description	By description
FWO21611P	By description	By description	By description	By description	By description	By description
FWO2180P	By description	By description	By description	By description	By description	By description
FWO2768P	By description	By description	By description	By description	By description	By description
FWO27611P	By description	By description	By description	By description	By description	By description
FWO2780P	By description	By description	By description	By description	By description	By description
FWO2968P	By description	By description	By description	By description	By description	By description
FWO29611P	By description	By description	By description	By description	By description	By description
FWO2980P	By description	By description	By description	By description	By description	By description
FWO3168P	By description	By description	By description	By description	By description	By description
FWO31611P	By description	By description	By description	By description	By description	By description
FWO3180P	By description	By description	By description	By description	By description	By description

400 Series Frenchwood® Outswing Doors (1997 to 2016)

Single Panel, 2-Panel, and Stationary Panel

Panels - Passive

Panel without Astragal - Passive / Double Door (AP/PA) / HP-Low-E4® Sun 3 Tempered / Maple Interior						
Unit No.	Maple Interior/ White Exterior		Maple Interior/ Terratone Exterior		Maple Interior/ Sandtone Exterior	
	Left	Right	Left	Right	Left	Right
FWO2168P	By description	By description	By description	By description	By description	By description
FWO21611P	By description	By description	By description	By description	By description	By description
FWO2180P	By description	By description	By description	By description	By description	By description
FWO2768P	By description	By description	By description	By description	By description	By description
FWO27611P	By description	By description	By description	By description	By description	By description
FWO2780P	By description	By description	By description	By description	By description	By description
FWO2968P	By description	By description	By description	By description	By description	By description
FWO29611P	By description	By description	By description	By description	By description	By description
FWO2980P	By description	By description	By description	By description	By description	By description
FWO3168P	By description	By description	By description	By description	By description	By description
FWO31611P	By description	By description	By description	By description	By description	By description
FWO3180P	By description	By description	By description	By description	By description	By description

Panel without Astragal - Passive / Double Door (AP/PA) / HP-Low-E4® Sun 3 Tempered / Oak Interior						
Unit No.	Oak Interior/ White Exterior		Oak Interior/ Terratone Exterior		Oak Interior/ Sandtone Exterior	
	Left	Right	Left	Right	Left	Right
FWO2168P	By description	By description	By description	By description	By description	By description
FWO21611P	By description	By description	By description	By description	By description	By description
FWO2180P	By description	By description	By description	By description	By description	By description
FWO2768P	By description	By description	By description	By description	By description	By description
FWO27611P	By description	By description	By description	By description	By description	By description
FWO2780P	By description	By description	By description	By description	By description	By description
FWO2968P	By description	By description	By description	By description	By description	By description
FWO29611P	By description	By description	By description	By description	By description	By description
FWO2980P	By description	By description	By description	By description	By description	By description
FWO3168P	By description	By description	By description	By description	By description	By description
FWO31611P	By description	By description	By description	By description	By description	By description
FWO3180P	By description	By description	By description	By description	By description	By description

Panels - Passive

Panel without Astragal - Passive / Double Door (AP/PA) / High-Performance-Low-E4® Sun 3 Tempered / Interior White			
	Unit No.	White Interior / White Exterior	
		Left	Right
	FWO2168P	By description	By description
	FWO21611P	By description	By description
	FWO2180P	By description	By description
	FWO2768P	By description	By description
	FWO27611P	By description	By description
	FWO2780P	By description	By description
	FWO2968P	By description	By description
	FWO29611P	By description	By description
	FWO2980P	By description	By description
	FWO3168P	By description	By description
	FWO31611P	By description	By description
	FWO3180P	By description	By description

Panel without Astragal - Passive / Double Door (AP/PA) / High-Performance Sun II Tempered
Note: Available by description.

400 Series Frenchwood® Outswing Doors (1997 to 2016)

Single Panel, 2-Panel, and Stationary Panel

Panels - Passive

Panel Astragal Kit (AP) - Passive / Stainless Steel Hardware (2003 - 2016)

Panel Astragal Kit- Passive (AP) / Stainless Steel Hardware / Pine Interior (March 2003 to 2016) Ref. No 5 [page 27](#)

Unit No.	Dimensions	Pine Interior/ White Exterior	Pine Interior/ Terratone Exterior	Pine Interior/ Sandtone Exterior	Pine Interior/ Forest Green Exterior
FWO68AP	76 ¹⁵ / ₃₂	9135277	9135283	9135280	9135286
FWO611AP	79 ¹¹ / ₃₂	9135278	9135284	9135281	9135287
FWO80AP	92 ¹⁵ / ₃₂	9135279	9135285	9135282	9135288

Panel Astragal Kit- Passive (AP) / Stainless Steel Hardware / Maple Interior (July 2003 to 2016) Ref. No 5 [page 27](#)

Unit No.	Dimensions	Maple Interior/ White Exterior	Maple Interior/ Terratone Exterior	Maple Interior/ Sandtone Exterior	Maple Interior/ Forest Green Exterior
FWO68AP	76 ¹⁵ / ₃₂	9135301	9135307	9135304	9135310
FWO611AP	79 ¹¹ / ₃₂	9135302	9135308	9135305	9135311
FWO80AP	92 ¹⁵ / ₃₂	9135303	9135309	9135306	9135312

Panel Astragal Kit- Passive (AP) / Stainless Steel Hardware / Oak Interior (July 2003 to 2016) Ref. No 5 [page 27](#)

Unit No.	Dimensions	Oak Interior/ White Exterior	Oak Interior/ Terratone Exterior	Oak Interior/ Sandtone Exterior	Oak Interior/ Forest Green Exterior
FWO68AP	76 ¹⁵ / ₃₂	9135289	9135295	9135292	9135298
FWO611AP	79 ¹¹ / ₃₂	9135290	9135296	9135293	9135299
FWO80AP	92 ¹⁵ / ₃₂	9135291	9135297	9135294	9135300

Panel Astragal Kit- Passive (AP) / Stainless Steel Hardware / PI White (March 2003 to 2016) Ref. No 5 [page 27](#)

	Unit No.	Dimensions	White Interior / White Exterior
	FWO68AP	76 ¹⁵ / ₃₂	9135274
	FWO611AP	79 ¹¹ / ₃₂	9135275
	FWO80AP	92 ¹⁵ / ₃₂	9135276

Panels - Passive

Panel Astragal Kit (PA) - Passive / Stainless Steel Hardware (2003 - 2016)

Panel Astragal Kit- Passive (PA) / Stainless Steel Hardware / Pine Interior (March 2003 to 2016)					
Unit No.	Dimensions	Pine Interior/ White Exterior	Pine Interior/ Terratone Exterior	Pine Interior/ Sandtone Exterior	Pine Interior/ Forest Green Exterior
FWO68PA	76 ¹⁵ / ₃₂	9135238	9135244	9135241	9135247
FWO611PA	79 ¹¹ / ₃₂	9135239	9135245	9135242	9135248
FWO80PA	92 ¹⁵ / ₃₂	9135240	9135246	9135243	9135249

Panel Astragal Kit- Passive (PA) / Stainless Steel Hardware / Maple Interior (July 2003 to 2016)

Unit No.	Dimensions	Maple Interior/ White Exterior	Maple Interior/ Terratone Exterior	Maple Interior/ Sandtone Exterior	Maple Interior/ Forest Green Exterior
FWO68PA	76 ¹⁵ / ₃₂	9135262	9135268	9135265	9135271
FWO611PA	79 ¹¹ / ₃₂	9135263	9135269	9135266	9135272
FWO80PA	92 ¹⁵ / ₃₂	9135264	9135270	9135267	9135273

Panel Astragal Kit- Passive (PA) / Stainless Steel Hardware / Oak Interior (July 2003 to 2016)

Unit No.	Dimensions	Oak Interior/ White Exterior	Oak Interior/ Terratone Exterior	Oak Interior/ Sandtone Exterior	Oak Interior/ Forest Green Exterior
FWO68PA	76 ¹⁵ / ₃₂	9135250	9135256	9135253	9135259
FWO611PA	79 ¹¹ / ₃₂	9135251	9135257	9135254	9135260
FWO80PA	92 ¹⁵ / ₃₂	9135252	9135258	9135255	9135261

Panel Astragal Kit - Passive (PA) / Stainless Steel Hardware / Interior White (March 2003 to 2016)

	Unit No.	Dimensions	White Interior / White Exterior
	FWO68PA	76 ¹⁵ / ₃₂	9135313
	FWO611PA	79 ¹¹ / ₃₂	9135314
	FWO80PA	92 ¹⁵ / ₃₂	9135315

Screw - Astragal

Note:
Also used to secure AP/PA hook bolt receiver, [page 102](#) and AP/PA latch bolt receiver [page 102](#).

	Description	Stainless Steel
	10-12 x 3 1/2"	2579414

400 Series Frenchwood® Outswing Doors (1997 to 2016)

Single Panel, 2-Panel, and Stationary Panel

Panels - Passive

Panel Astragal (AP) - Passive / Zinc Dichromate Hardware (1998 - 2003)



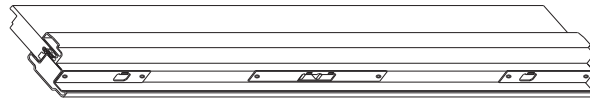
Panel Astragal with Screws - Passive (AP) / Zinc Dichromate Hardware / Pine Interior (1998 to March 2003)

Unit No.	Dimensions	Pine Interior/ White Exterior	Pine Interior/ Terratone Exterior	Pine Interior/ Sandtone Exterior	Pine Interior/ Forest Green Exterior
FWO68AP	76 ¹⁵ / ₃₂	6021091	6021096	6021101	N/A
FWO611AP	79 ¹¹ / ₃₂	6021121	6021126	6021131	N/A
FWO80AP	92 ¹⁵ / ₃₂	6021151	6021156	6021161	N/A

Panel Astragal with Screws - Passive (AP) / Zinc Dichromate Hardware / Interior White

	Unit No.	Dimensions	White Interior / White Exterior
	FWO68AP	76 ¹⁵ / ₃₂	6021093
	FWO611AP	79 ¹¹ / ₃₂	6021123
	FWO80AP	92 ¹⁵ / ₃₂	6021153

Panel Astragal (PA) - Passive / Zinc Dichromate Hardware (1998 - 2003)



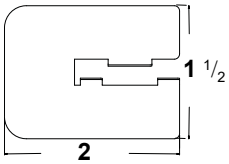
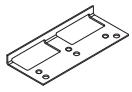
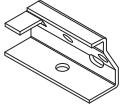
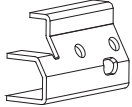
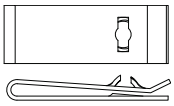
Panel Astragal - Passive (PA) / Zinc Dichromate Hardware / Pine Interior (1998 to March 2003)

Unit No.	Dimensions	Pine Interior/ White Exterior	Pine Interior/ Terratone Exterior	Pine Interior/ Sandtone Exterior	Pine Interior/ Forest Green Exterior
FWO68PA	76 ¹⁵ / ₃₂	6021076	6021081	6021086	N/A
FWO611PA	79 ¹¹ / ₃₂	6021106	6021111	6021116	N/A
FWO80PA	92 ¹⁵ / ₃₂	6021136	6021141	6021146	N/A

Panel Astragal - Passive (PA) / Zinc Dichromate Hardware / Interior White (1998 to March 2003)

	Unit No.	Dimensions	White Interior / White Exterior
	FWO68PA	76 ¹⁵ / ₃₂	6021078
	FWO611PA	79 ¹¹ / ₃₂	6021108
	FWO80PA	92 ¹⁵ / ₃₂	6021138

Panels - Passive

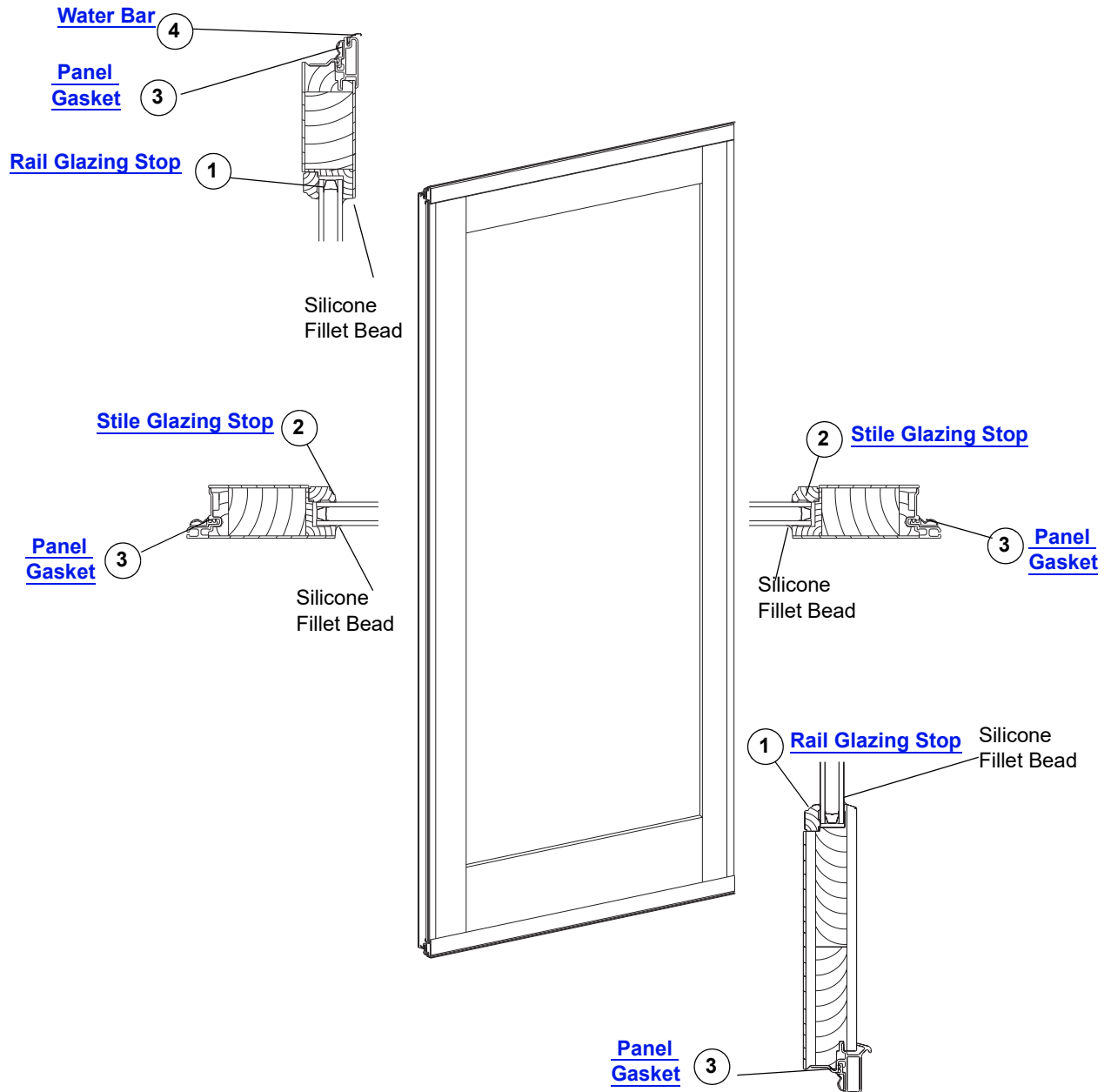
Passive Panel Hardware		
Astragal Transition Plate		
		Order No.
		2573334
Bracket - Receiver / Reinforced / Double Door (AP/PA)		
		Order No.
		2579793
Bracket - Lock / Double Door (AP/PA) / Left Hand Lower and Right Hand Upper		
		Order No.
		3259272
Bracket - Lock / Double Door (AP/PA) / Left Hand Upper and Right Hand Lower		
		Order No.
		2579795
U Clip (March 2003 to 2016)		
	Note: Use with stainless steel lock mechanism. Used on AP/PA latch bolt receiver.	Order No.
		2579427

400 Series Frenchwood® Outswing Doors (1997 to 2016)

Single Panel, 2-Panel, and Stationary Panel

Panels - Stationary

Stationary Panel Graphic



Frenchwood Outswing Door Stationary Panel

Panels - Stationary

Stationary Panel Size Table

Note:

1" finelight profile is standard, with color matching exterior color of panel.
 Maple and Oak finishes introduced in 2003.
 White painted finish in 2000.
 White PVC veneer wrap in 2002.
 Stationary Panel is measured outside edge to outside edge of frame.
 Unobstructed Glass is dimension from outside edge to outside edge of visible glass only.
 Actual Glass is dimension of outside edge to outside edge of glass, including glass that is not visible.

Size Table - Stationary Panel

Unit No.	Stationary Panel (w x h)	Unobstructed Glass (w x h)	Actual Glass (w x h)
FWO2168S	22 ⁷ / ₈ × 78 ¹ / ₁₆	13 ¹ / ₄ × 63 ¹ / ₂	14 ³ / ₈ × 64 ⁹ / ₁₆
FWO21611S	22 ⁷ / ₈ × 80 ¹⁵ / ₁₆	13 ¹ / ₄ × 66 ³ / ₈	14 ³ / ₈ × 67 ⁹ / ₁₆
FWO2180S	22 ⁷ / ₈ × 94 ¹ / ₁₆	13 ¹ / ₄ × 79 ¹ / ₂	14 ³ / ₈ × 80 ⁹ / ₁₆
FWO2768S	28 ¹ / ₂ × 78 ¹ / ₁₆	18 ⁷ / ₈ × 63 ¹ / ₂	20 × 64 ⁹ / ₁₆
FWO27611S	28 ¹ / ₂ × 80 ¹⁵ / ₁₆	18 ⁷ / ₈ × 66 ³ / ₈	20 × 67 ⁹ / ₁₆
FWO2780S	28 ¹ / ₂ × 94 ¹ / ₁₆	18 ⁷ / ₈ × 79 ¹ / ₂	20 × 80 ⁹ / ₁₆
FWO2968S	30 ¹ / ₂ × 78 ¹ / ₁₆	20 ⁷ / ₈ × 63 ¹ / ₂	22 × 64 ⁹ / ₁₆
FWO29611S	30 ¹ / ₂ × 80 ¹⁵ / ₁₆	20 ⁷ / ₈ × 66 ³ / ₈	22 × 67 ⁹ / ₁₆
FWO2980S	30 ¹ / ₂ × 94 ¹ / ₁₆	20 ⁷ / ₈ × 79 ¹ / ₂	22 × 80 ⁹ / ₁₆
FWO3168S	34 ¹ / ₂ × 78 ¹ / ₁₆	24 ⁷ / ₈ × 63 ¹ / ₂	26 × 64 ⁹ / ₁₆
FWO31611S	34 ¹ / ₂ × 80 ¹⁵ / ₁₆	24 ⁷ / ₈ × 66 ³ / ₈	26 × 67 ⁹ / ₁₆
FWO3180S	34 ¹ / ₂ × 94 ¹ / ₁₆	24 ⁷ / ₈ × 79 ¹ / ₂	26 × 80 ⁹ / ₁₆

Stationary Panels

Note:

Panel ships with panel stops, brackets and spacers.

Panel - Stationary / High-Performance-Low-E4® Tempered / Pine Interior

	Unit No.	Pine Interior/ White Exterior	Pine Interior/ Terratone Exterior	Pine Interior/ Sandtone Exterior	Pine Interior/ Forest Green Exterior
	FWO2168S	By description	By description	By description	By description
	FWO21611S	By description	By description	By description	By description
	FWO2180S	By description	By description	By description	By description
	FWO2768S	By description	By description	By description	By description
	FWO27611S	By description	By description	By description	By description
	FWO2780S	By description	By description	By description	By description
	FWO2968S	By description	By description	By description	By description
	FWO29611S	By description	By description	By description	By description
	FWO2980S	By description	By description	By description	By description
	FWO3168S	By description	By description	By description	By description
	FWO31611S	By description	By description	By description	By description
	FWO3180S	By description	By description	By description	By description

400 Series Frenchwood® Outswing Doors (1997 to 2016)

Single Panel, 2-Panel, and Stationary Panel

Panels - Stationary

Panel - Stationary / High-Performance-Low-E4® Tempered / Maple Interior					
	Unit No.	Maple Interior/ White Exterior	Maple Interior/ Terratone Exterior	Maple Interior/ Sandtone Exterior	Maple Interior/ Forest Green Exterior
	FWO2168S	By description	By description	By description	By description
	FWO21611S	By description	By description	By description	By description
	FWO2180S	By description	By description	By description	By description
	FWO2768S	By description	By description	By description	By description
	FWO27611S	By description	By description	By description	By description
	FWO2780S	By description	By description	By description	By description
	FWO2968S	By description	By description	By description	By description
	FWO29611S	By description	By description	By description	By description
	FWO2980S	By description	By description	By description	By description
	FWO3168S	By description	By description	By description	By description
	FWO31611S	By description	By description	By description	By description
	FWO3180S	By description	By description	By description	By description

Panel - Stationary / High-Performance-Low-E4® Tempered / Oak Interior					
	Unit No.	Oak Interior/ White Exterior	Oak Interior/ Terratone Exterior	Oak Interior/ Sandtone Exterior	Oak Interior/ Forest Green Exterior
	FWO2168S	By description	By description	By description	By description
	FWO21611S	By description	By description	By description	By description
	FWO2180S	By description	By description	By description	By description
	FWO2768S	By description	By description	By description	By description
	FWO27611S	By description	By description	By description	By description
	FWO2780S	By description	By description	By description	By description
	FWO2968S	By description	By description	By description	By description
	FWO29611S	By description	By description	By description	By description
	FWO2980S	By description	By description	By description	By description
	FWO3168S	By description	By description	By description	By description
	FWO31611S	By description	By description	By description	By description
	FWO3180S	By description	By description	By description	By description

Panels - Stationary

Panel - Stationary / High-Performance-Low-E4® Tempered / Interior White		
	Unit No.	White Interior / White Exterior
	FWO2168S	By description
	FWO21611S	By description
	FWO2180S	By description
	FWO2768S	By description
	FWO27611S	By description
	FWO2780S	By description
	FWO2968S	By description
	FWO29611S	By description
	FWO2980S	By description
	FWO3168S	By description
	FWO31611S	By description
	FWO3180S	By description

Panel - Stationary / High-Performance-Low-E4® Sun 3 Tempered / Pine Interior				
	Unit No.	Pine Interior/ White Exterior	Pine Interior/ Terratone Exterior	Pine Interior/ Sandtone Exterior
	FWO2168S	By description	By description	By description
	FWO21611S	By description	By description	By description
	FWO2180S	By description	By description	By description
	FWO2768S	By description	By description	By description
	FWO27611S	By description	By description	By description
	FWO2780S	By description	By description	By description
	FWO2968S	By description	By description	By description
	FWO29611S	By description	By description	By description
	FWO2980S	By description	By description	By description
	FWO3168S	By description	By description	By description
	FWO31611S	By description	By description	By description
	FWO3180S	By description	By description	By description

400 Series Frenchwood® Outswing Doors (1997 to 2016)

Single Panel, 2-Panel, and Stationary Panel

Panels - Stationary

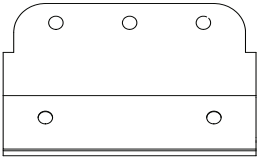
Panel - Stationary / High-Performance-Low-E4® Sun 3 Tempered / Maple Interior				
	Unit No.	Maple Interior/ White Exterior	Maple Interior/ Terratone Exterior	Maple Interior/ Sandtone Exterior
	FWO2168S	By description	By description	By description
	FWO21611S	By description	By description	By description
	FWO2180S	By description	By description	By description
	FWO2768S	By description	By description	By description
	FWO27611S	By description	By description	By description
	FWO2780S	By description	By description	By description
	FWO2968S	By description	By description	By description
	FWO29611S	By description	By description	By description
	FWO2980S	By description	By description	By description
	FWO3168S	By description	By description	By description
	FWO31611S	By description	By description	By description
	FWO3180S	By description	By description	By description

Panel - Stationary / High-Performance-Low-E4® Sun 3 Tempered / Oak Interior				
	Unit No.	Oak Interior/ White Exterior	Oak Interior/ Terratone Exterior	Oak Interior/ Sandtone Exterior
	FWO2168S	By description	By description	By description
	FWO21611S	By description	By description	By description
	FWO2180S	By description	By description	By description
	FWO2768S	By description	By description	By description
	FWO27611S	By description	By description	By description
	FWO2780S	By description	By description	By description
	FWO2968S	By description	By description	By description
	FWO29611S	By description	By description	By description
	FWO2980S	By description	By description	By description
	FWO3168S	By description	By description	By description
	FWO31611S	By description	By description	By description
	FWO3180S	By description	By description	By description

Panels - Stationary

Panel - Stationary / High-Performance-Low-E4® Sun 3 Tempered / Interior White		
	Unit No.	White Interior / White Exterior
	FWO2168S	By description
	FWO21611S	By description
	FWO2180S	By description
	FWO2768S	By description
	FWO27611S	By description
	FWO2780S	By description
	FWO2968S	By description
	FWO29611S	By description
	FWO2980S	By description
	FWO3168S	By description
	FWO31611S	By description
	FWO3180S	By description

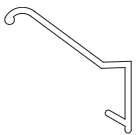
Panel - High-Performance Sun II Tempered
<p>Note: Available by description.</p>

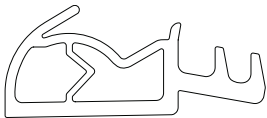

Stationary Panel Clips		
Stationary Panel Clips		
	Type	Order No
	Standard	3621206
	Coastal (IR)	3623000

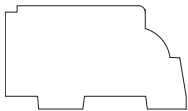

400 Series Frenchwood® Outswing Doors (1997 to 2016)

Single Panel, 2-Panel, and Stationary Panel

Shared Panel Parts

Water Bars				
Water Bars Ref. No. 4 page 13 and page 14 and page 27 and page 37				
		Unit No.	Dimensions	Gray
		FWO21	22 ¹³ / ₁₆	2578568
		FWO27	28 ⁷ / ₁₆	2578569
		FWO29	30 ⁷ / ₁₆	2578570
		FWO31	34 ⁷ / ₁₆	2578571

Weatherstrip - Gasket					
Note: Active, passive, and stationary panels use the same gasket weatherstrip. Weatherstrip replacement on passive panels requires the astragal to be removed.					
See Weatherstrip Replacement Video .					
Weatherstrip - Gasket Ref. No. 3 page 13 and page 14 and page 27 and page 37					
		Unit No.	Gray	Unit No.	Gray
		FWO2168	2578290	FWO2968	2579028
		FWO21611	2578291	FWO29611	2579029
		FWO2180	2578292	FWO2980	2579030
		FWO2768	2579025	FWO3168	2579031
		FWO27611	2579026	FWO31611	2579032
		FWO2780	2579027	FWO3180	2579033

Panel Glazing Stops						
Note: When replacing white stops all four sides must be replaced.						
Panel Glazing Stop - Rail Ref. No. 1 page 13 and page 14 and page 27 and page 37						
	Unit No.	Dimensions	Pine	Maple	Oak	Interior White
	FWO21	13 ²¹ / ₃₂	2578801	2578847	2578840	2578880
	FWO27	19 ⁹ / ₃₂	2578802	2578848	2578841	2578881
	FWO29	21 ⁹ / ₃₂	2578804	2578849	2578842	2578882
	FWO31	25 ⁹ / ₃₂	2578806	2578850	2578843	2578883
Panel Glazing Stop - Stile Ref. No. 2 page 13 and page 14 and page 27 and page 37						
	Unit No.	Dimensions	Pine	Maple	Oak	Interior White
	FWO68	65 ³ / ₁₆	2578808	2578851	2578844	2578884
	FWO611	68 ¹ / ₁₆	2578821	2578852	2578845	2578885
	FWO80	81 ³ / ₁₆	2578820	2578853	2578846	2578886

Insect Screens

Insect Screens / Retractable / (2007 - 2016)

Note:

See [Accessory Guide 0005480](#) for single.

See [Accessory Guide 0005479](#) for double.

Insect Screen - Retractable / Single (June 2007 to 2016)

Unit No.	White		Gold Dust		Pine	
	Left	Right	Left	Right	Left	Right
FWO2768	2530012	2530024	By description	By description	By description	By description
FWO27611	2530013	2530025	By description	By description	By description	By description
FWO2780	2530014	2530026	By description	By description	By description	By description
FWO2968	2530015	2530027	By description	By description	By description	By description
FWO29611	2530016	2530028	By description	By description	By description	By description
FWO2980	2530017	2530029	By description	By description	By description	By description
FWO3168	2530018	2530030	By description	By description	By description	By description
FWO31611	2530019	2530031	By description	By description	By description	By description
FWO3180	2530020	2530032	By description	By description	By description	By description

Insect Screen - Retractable / Single (June 2007 to 2016)

Unit No.	Oak		Maple	
	Left	Right	Left	Right
FWOD2768	By description	By description	By description	By description
FWOD27611	By description	By description	By description	By description
FWOD2780	By description	By description	By description	By description
FWOD2968	By description	By description	By description	By description
FWOD29611	By description	By description	By description	By description
FWOD2980	By description	By description	By description	By description
FWOD3168	By description	By description	By description	By description
FWOD31611	By description	By description	By description	By description
FWOD3180	By description	By description	By description	By description

Insect Screen - Retractable / Double (June 2007 to 2016)

Unit No.	White	Gold Dust	Pine	Oak	Maple
FWOD4168	2530033	By description	By description	By description	By description
FWOD41611	2530034	By description	By description	By description	By description
FWOD4180	2530035	By description	By description	By description	By description
FWOD5068	2530036	By description	By description	By description	By description
FWOD50611	2530037	By description	By description	By description	By description
FWOD5080	2530038	By description	By description	By description	By description
FWOD5468	2530039	By description	By description	By description	By description
FWOD54611	2530040	By description	By description	By description	By description
FWOD5480	2530041	By description	By description	By description	By description
FWOD6068	2530042	By description	By description	By description	By description
FWOD60611	2530043	By description	By description	By description	By description
FWOD6080	2530044	By description	By description	By description	By description

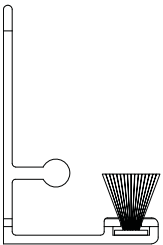
400 Series Frenchwood® Outswing Doors (1997 to 2016)

Single Panel, 2-Panel, and Stationary Panel

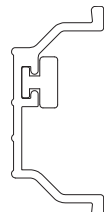
Insect Screens

Insect Screens Parts / Retractable / (2007 - 2016)

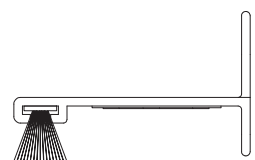
Track - Bottom / Insect Screen / Retractable (June 2007 to 2016)

 F	Unit No.	Length	White	Gray	Gold Dust
	FWO27	26 ¹ / ₁₆	2562471	9017282	9018538
	FWO29	28 ¹ / ₁₆	2562472	9017283	9018539
	FWO31	32 ¹ / ₁₆	2562473	9017284	9018540
	FWO33	34 ¹ / ₁₆	9008407	9017285	9018541
	FWO41	42 ¹ / ₁₆	2562474	9017287	9018543
	FWO50	53 ¹ / ₄	2562475	9017288	9018544
	FWO54	57 ¹ / ₄	2562476	9017289	9018545
	FWO60	65 ¹ / ₄	2562477	9017290	9018546

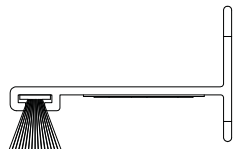
Track - Side / Insect Screen / Retractable (June 2007 to 2016)

	Unit No.	Length	White	Gray	Gold Dust
	FWO68	77 ¹ / ₁₆	2562478	9017292	9018548
	FWO611	79 ¹⁵ / ₁₆	2562479	9017293	9018549
	FWO80	93 ¹ / ₁₆	2562480	9017295	9018551

Track - Top / Exterior / Single / Insect Screen / Retractable (June 2007 to 2016)

	Unit No.	Length	White	Gray	Gold Dust
	FWO27	25 ³ / ₄	2562486	9017296	9018552
	FWO29	27 ³ / ₄	2562487	9017297	9018553
	FWO31	31 ³ / ₄	2562488	9017298	9018554

Track - Top / Exterior / Double / Insect Screen / Retractable (June 2007 to 2016)

	Unit No.	Length	White	Gray	Gold Dust
	FWO41	42 ¹ / ₁₆	2562481	9017301	9018557
	FWO50	53 ¹ / ₄	2562482	9017302	9018558
	FWO54	57 ¹ / ₄	2562483	9017303	9018559
	FWO60	65 ¹ / ₄	2562484	9017304	9018560

Insect Screens

Track - Top / Interior / Single / Insect Screen / Retractable (June 2007 to 2016)

Note:

Assembly required for wood finish track. See [Accessory Guide 0005480](#).

	Unit No.	Length	White	Gold Dust	Pine	Oak	Maple
	FWO27	25 3/4	2562494	9018562	9017306	9017310	9017314
	FWO29	27 3/4	2562495	9018563	9017307	9017311	9017315
	FWO31	31 3/4	2562496	9018564	9017308	9017312	9017316

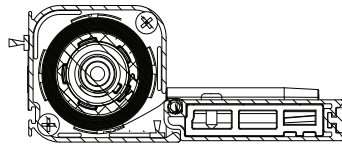
Track - Top / Interior / Double / Insect Screen / Retractable (June 2007 to 2016)

Note:

Assembly required for wood finish track. See [Accessory Guide 0005479](#).

	Unit No.	Length	White	Gold Dust	Pine	Oak	Maple
	FWO41	42 1/16	2562489	9018567	9017319	9017325	9017331
	FWO50	53 1/4	2562490	9018568	9017320	9017326	9017332
	FWO54	57 1/4	2562491	9018569	9017321	9017327	9017333
	FWO60	65 1/4	2562492	9018570	9017322	9017328	9017334

Canister Assembly - Insect Screen / Retractable / Single (June 2007 to 2016)



Assembly Includes:

Canister, cap retainers, spindle, screen core and cloth, tension spring, slide bar.

Unit No.	White		Gold Dust		Pine		Oak		Maple	
	Left	Right	Left	Right	Left	Right	Left	Right	Left	Right
FWO68	2562373	2562376	9018572	9018576	9017336	9017348	9017340	9017352	9017344	9017356
FWO611	2562374	2562377	9018573	9018577	9017337	9017349	9017341	9017353	9017345	9017357
FWO80	2562375	2562378	9018575	9018579	9017339	9017351	9017343	9017355	9017347	9017359

Canister Assembly - Insect Screen / Retractable / Double (June 2007 to 2016)

Note:

Handing determined by location on unit from exterior. Double doors use a left and right assembly.

Assembly Includes:

Canister, cap retainers, spindle, screen core and cloth, tension spring, slide bar

Unit No.	White		Gold Dust		Pine		Oak		Maple	
	Left	Right	Left	Right	Left	Right	Left	Right	Left	Right
FWO68	2562367	2562370	9018580	9018584	9017360	9017372	9017364	9017376	9017368	9017380
FWO611	2562368	2562371	9018581	9018585	9017361	9017373	9017365	9017377	9017369	9017381
FWO80	2562369	2562372	9018583	9018587	9017363	9017375	9017367	9017379	9017371	9017383

400 Series Frenchwood® Outswing Doors (1997 to 2016)

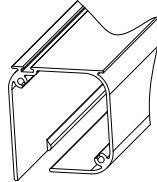
Single Panel, 2-Panel, and Stationary Panel

Insect Screens

Canister - Insect Screen / Retractable

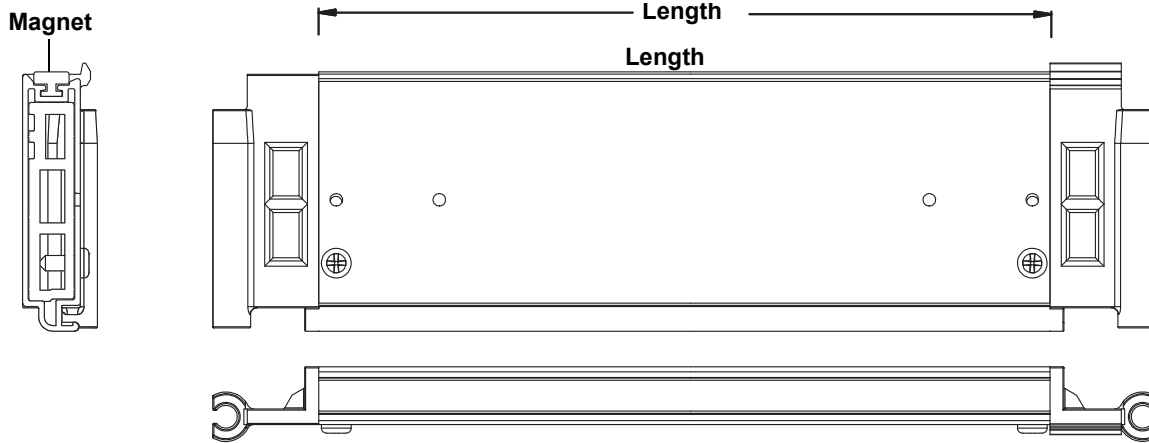
Note:

Replacement canisters with interior wood finishes are handed, painted canisters are not handed. Handing is determined by the location of the canister as viewed from the interior.



Unit No.	White		Gold Dust		Pine		Oak		Maple	
	Left	Right	Left	Right	Left	Right	Left	Right	Left	Right
FWO68	2562352		9018588		9017384	9069363	9017388	9069366	9017392	9069369
FWO611	2562353		9018589		9017385	9069364	9017389	9069367	9017393	9069370
FWO80	2562354		9018591		9017387	9069365	9017391	9069368	9017393	9069371

Slide Bar Assembly - Single / Insect Screen / Retractable (June 2007 to 2016)



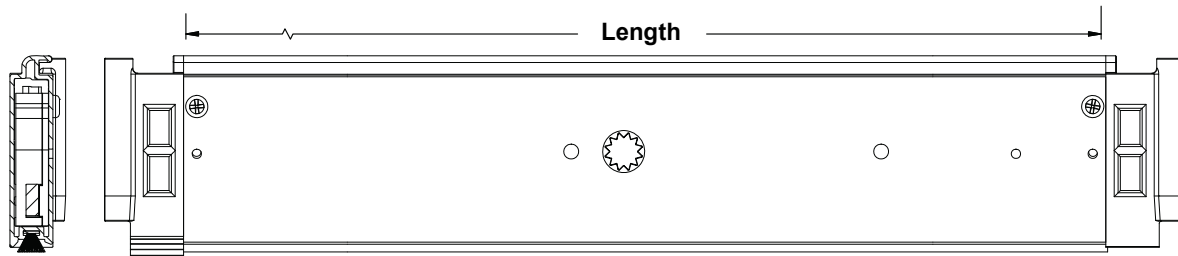
Includes:

Slide bar, slide body, magnetic strip, and screws

Unit No.	Length	White		Gold Dust		Pine		Oak		Maple	
		Left	Right	Left	Right	Length Left	Right	Left	Right	Left	Right
FWO68	75 ³ / ₁₆	2562446	2562443	9018592	9018596	9017396	9017408	9017400	9017412	9017404	9017416
FWO611	78 ¹ / ₁₆	2562447	2562444	9018593	9018597	9017397	9017409	9017401	9017413	9017405	9017417
FWO80	91 ³ / ₁₆	2562448	2562445	9018595	9018599	9017399	9017411	9017403	9017415	9017407	9017419

Insect Screens

Slide Bar Assembly - Double / Insect Screen / Retractable (June 2007 to 2016)

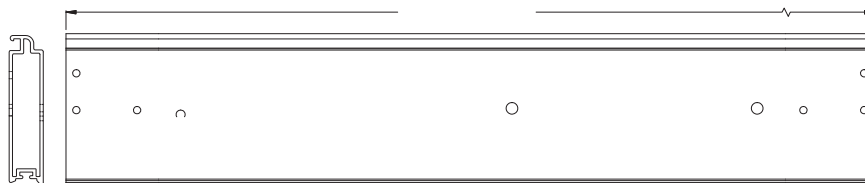


Includes:

Slide bar, slide body, lock actuator, bug seal, and screws.

Unit No.	Length	White		Gold Dust		Pine		Oak		Maple	
		Left	Right	Left	Right	Left	Right	Left	Right	Left	Right
FWO68	75 ³ / ₁₆	2562440	2562437	9018600	9018604	9017420	9017432	9017424	9017436	9017428	9017440
FWO611	78 ¹ / ₁₆	2562441	2562438	9018601	9018605	9017421	9017433	9017425	9017437	9017429	9017441
FWO80	91 ³ / ₁₆	2562442	2562439	9018603	9018607	9017423	9017435	9017427	9017439	9017431	9017443

Slide Bar - Single / Insect Screen / Retractable (June 2007 to 2016)



Unit No.	Length	White		Gold Dust		Pine		Oak		Maple	
		Left	Right	Left	Right	Left	Right	Left	Right	Left	Right
FWO68	75 ³ / ₁₆	2562428	2562502	9018608	9018612	9017444	9017456	9017448	9017460	9017452	9017464
FWO611	78 ¹ / ₁₆	2562429	2562503	9018609	9018613	9017445	9017457	9017449	9017461	9017453	9017465
FWO80	91 ³ / ₁₆	2562430	2562504	9018611	9018615	9017447	9017459	9017451	9017463	9017455	9017467

Slide Bar - Double / Insect Screen / Retractable (June 2007 to 2016)



Unit No.	Length	White		Gold Dust		Pine		Oak		Maple	
		Left	Right	Left	Right	Left	Right	Left	Right	Left	Right
FWO68	75 ³ / ₁₆	2562505	2562508	9018616	9018620	9017468	9017480	9017472	9017484	9017476	9017488
FWO611	78 ¹ / ₁₆	2562506	2562509	9018617	9018621	9017469	9017481	9017473	9017485	9017477	9017489
FWO80	91 ³ / ₁₆	2562507	2562510	9018619	9018623	9017471	9017483	9017475	9017487	9017479	9017491

400 Series Frenchwood® Outswing Doors (1997 to 2016)

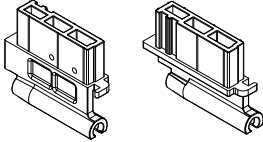
Single Panel, 2-Panel, and Stationary Panel

Insect Screens

Slide body - Insect Screen / Retractable (June 2007 to 2016)

Note:

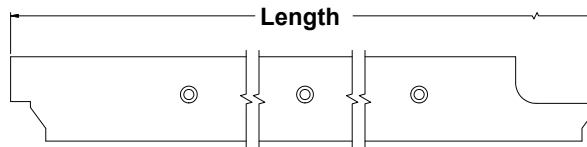
A left hand screen will use a left hand slide body on the sill and a right hand slide body on the head. A right hand screen will use a right hand slide body on the sill and a left hand slide body on the head.

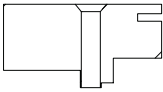
 Left Right	White		Sandtone		Gold Dust	
	Left	Right	Left	Right	Left	Right
	2562449	2562450	0916056	0916057	9020121	9018530

Track Filler - Bottom / Single / Insect Screen / Retractable (June 2007 to 2016)

Note:

Top view shown.

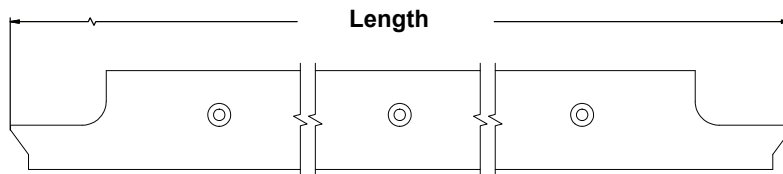


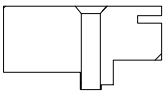
 Profile	Unit No.	Length	Oak	
			Left	Right
	FWO27	27 ⁹ / ₁₆	2562387	2562515
	FWO29	29 ⁹ / ₁₆	2562388	2562516
	FWO31	33 ⁹ / ₁₆	2562389	2562517

Track Filler - Bottom / Double / Insect Screen / Retractable (June 2007 to 2016)

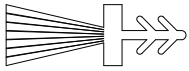
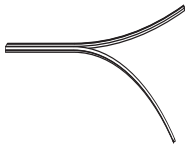
Note:

Top view shown.



 Profile	Unit No.	Length	Oak
	FWO41	45 ⁹ / ₁₆	2562382
	FWO50	56 ³ / ₈	2562383
	FWO54	60 ³ / ₈	2562384
	FWO60	68 ³ / ₈	2562385

Insect Screens

Bug Pile, Barbed Spacer <i>(June 2007 to 2016)</i>		
	Note: Order by the foot.	Gray
		2562340
Weatherstrip - Insect Screen / Pile <i>(June 2007 to 2016)</i>		
	Note: Order by the foot.	Gray
		2573398

400 Series Frenchwood® Outswing Doors (1997 to 2016)


Single Panel, 2-Panel, and Stationary Panel

Insect Screens

Insect Screen Cloth with Core - Retractable *(June 2007 to 2016)*

Note:

Handing determined by location on unit as viewed from the exterior.

	Unit No.	Length	Left	Right
	FWO68	77 ⁷ / ₁₆	2562409	2562524
	FWO611	80 ⁵ / ₁₆	2562410	2562525
	FWO80	93 ⁷ / ₁₆	2562411	2562526

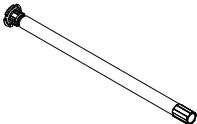
Magnet - Side Bar - Insect Screen / Retractable *(June 2007 to 2016)*

Note:

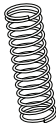
Ships as a pair. Cut to size.

Unit No.	Length	Order No.
FWO80	95"	2573360

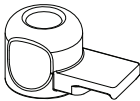
Spring - Tension / Assembly / Insect Screen / Retractable *(June 2007 to 2016)*

	Order No.
	2562457

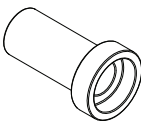
Spring - Pull Turn Knob / Insect Screen / Retractable *(June 2007 to 2016)*

	Order No.
	2562453

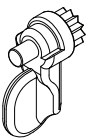
Pull Turn Knob - Insect Screen / Retractable *(June 2007 to 2016)*

	Color	Order No.
	White	2562396
	Gold Dust	9017492
	Sandtone	9017493

Bushing - Pull Turn Knob / Insect Screen / Retractable *(June 2007 to 2016)*

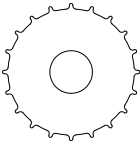
	Color	Order No.
	White	2562348
	Gold Dust	9017494
	Sandtone	9017495

Thumb Latch - Insect Screen / Retractable *(June 2007 to 2016)*

	Color	Order No.
	White	2562397
	Gold Dust	9017496
	Sandtone	9017497

Insect Screens

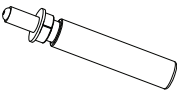
Spline - Insect Screen / Retractable *(June 2007 to 2016)*

		Order No.
		2562452


Spindle - End Cap / Insect Screen / Retractable *(June 2007 to 2016)*

		Order No.
		2562451

Dampener - Insect Screen / Retractable *(June 2007 to 2016)*

		White
		2562379

Handle - Insect Screen / Retractable *(June 2007 to 2016)*

		Color	Order No.
		White	2562390
		Terratone	2605152
		Sandtone	0916037
		Forest Green	1232843

Hardware Package / Insect Screen / Retractable *(June 2007 to 2016)*

Singe Hardware Pack: See Accessory Guide 0005480 Double Hardware Pack: See Accessory Guide 0005479	Color	Single	Double
	White	2562394	2562393
	Gold Dust	9017500	9017994
	Sandtone	9017501	9017995
	Sandtone-Wood	9034905	9034906

Screw

	Description	Order No.
	8 x 1 1/2 brass PH FL	2562415

Screw

	Description	Order No.
	8-32 x 2 1/2 PH oval STL	2562416

Screw

	Description	Order No.
	8-32 x 1 PH pan Typ F	2562418

400 Series Frenchwood® Outswing Doors (1997 to 2016)

Single Panel, 2-Panel, and Stationary Panel

Insect Screens

Insect Screens / Retractable / (5/2003 - 5/2007)

Insect Screen - Retractable (May 2003 to May 2007)

Note:

No longer available. Use retractable insect screens, June 2007 to 2016 for replacement.

Insect Screen Parts / Retractable / (5/2003 - 5/2007)

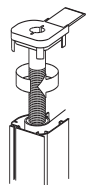
Canister (May 2003 to May 2007)

	Note: Includes tube only, no contents. If replacing a screen canister prior to 8/2002, you need to also replace the spindle with bushing, tension spring, and end caps	Unit No.	Order No.
		68	2573117
		611	2573116
		80	2573115

Cloth with Core (May 2003 to May 2007)

	Note: Screen cloth 72" wide.	Unit No.	Order No.
		68	2573122
		611	2573121
		80	2573120

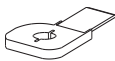
Spindle with Bushing - Quick Release (May 2003 to May 2007)

		Order No.
		2573128

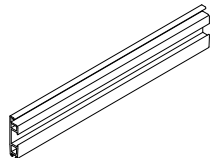
Tension Spring Assembly (May 2003 to May 2007)

	Order No.
	2573119

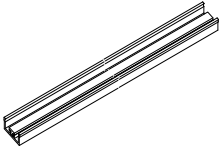
End Caps - Canister (Pair) (May 2003 to May 2007)

	Order No.
	2573118

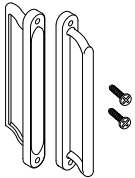
Sliding Bar (May 2003 to May 2007)

	Note: Retractable screen with screen spline.	Unit No.	Order No.
		68	2573125
		611	2573126
		80	2573127

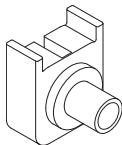
Insect Screens

Side Track (May 2003 to May 2007)			
		Unit No.	Order No.
		68	2573397
		611	2573396
		80	2573395

Magnets - Side Track (Pair) (May 2003 to May 2007)				
	Note: Ships as a pair. Cut to size.	Unit No.	Length	Order No.
		FWO80	95"	2573360

Handle with Screws - Insect Screen / Universal (Pair) (May 2003 to May 2007)		
		White
		2573124

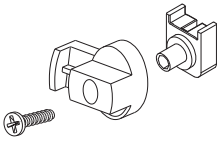
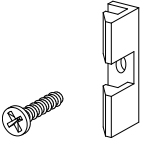
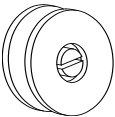
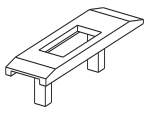
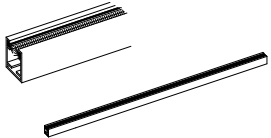
Hardware Package - Retractable Insect Screen / Exterior (May 2003 to May 2007)			
	Kit includes: 4 #8 x 1 1/2" brass flat head phillips screws 1 #6 x 1" white round head phillips screw 11 #7 x 1" black pan head screws 2 #8 x 1/2" white pan head screws 1 White curved handle 1 White retainer lock 1 Pile separator, 1 1/2" LDPE 3 Clip attachments	Unit No.	Order No.
		FWO	2579394

Retainer - Latch Wheel (May 2003 to May 2007)			
		Unit No.	Order No.
		FWO	2573129

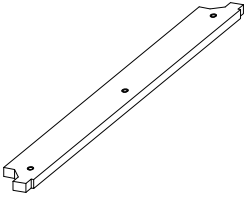
400 Series Frenchwood® Outswing Doors (1997 to 2016)

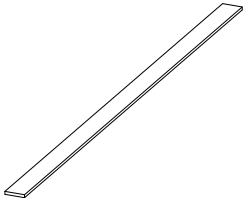
Single Panel, 2-Panel, and Stationary Panel

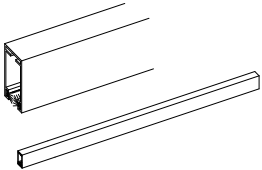
Insect Screens

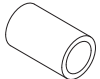
Latch Assembly with Screw and Retainer (May 2003 to May 2007)			
		Unit No.	Order No.
		FWO	2573403
Latch Strike - Insect Screen (May 2003 to May 2007)			
			Order No.
			2573406
Guide - Insect Screen (May 2003 to May 2007)			
			White
			2573369
End Guide - Canister (Pair) (May 2003 to May 2007)			
			Order No.
			2573123
Attachment Clip - Canister (May 2003 to May 2007)			
			Order No.
			2573370
Sill Track - Insect Screen (May 2003 to May 2007)			
		Unit No.	Order No.
		FWO27	2573376
		FWO29	2573375
		FWO31	2573374
		FWO41	2573291
		FWO50	2573373
		FWO54	2573372
FWO60	2573371		

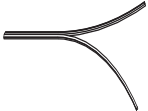
Insect Screens

Sill Spacer - Insect Screen (May 2003 to May 2007)			
		Unit No.	Order No.
		FWO27	2573382
		FWO29	2573381
		FWO31	2573380
		FWO41	2573293
		FWO50	2573379
		FWO54	2573378
		FWO60	2573377

Sill Shim - Insect Screen (May 2003 to May 2007)			
		Unit No.	Order No.
		FWO27	2573388
		FWO29	2573387
		FWO31	2573386
		FWO41	2573295
		FWO50	2573385
		FWO54	2573384
		FWO60	2573383

Head Track - Insect Screen (May 2003 to May 2007)			
		Unit No.	Order No.
		FWO27	2573394
		FWO29	2573393
		FWO31	2573392
		FWO41	2573297
		FWO50	2573391
		FWO54	2573390
		FWO60	2573389

Pile Opener - Insect Screen (May 2003 to May 2007)			
		Unit No.	Order No.
		FWO	2573405

Weatherstrip - Insect Screen / Pile (May 2003 to May 2007)			
	Note: Order by the foot.		Gray
			2573398

Screw - Concrete		
	Description	Order No.
	3/16 x 3 1/4 (bronze head)	2573332

400 Series Frenchwood® Outswing Doors (1997 to 2016)

Single Panel, 2-Panel, and Stationary Panel

Insect Screens

Insect Screens / Retractable / (1999 - 4/2003)

Insect Screen - Retractable (1999 to April 2003)

Note:

No longer available. Use retractable insect screens, June 2007 to 2016 for replacement.

Grilles

Interior Grilles - Custom

Note:

See [Accessory Guide 0005285](#). See [Interior Grille Installation Video](#). Grilles include fasteners. Interior removable grilles for custom sizes/patterns are made to order. Product ID label is located on head jamb frame cover.

To order, state:

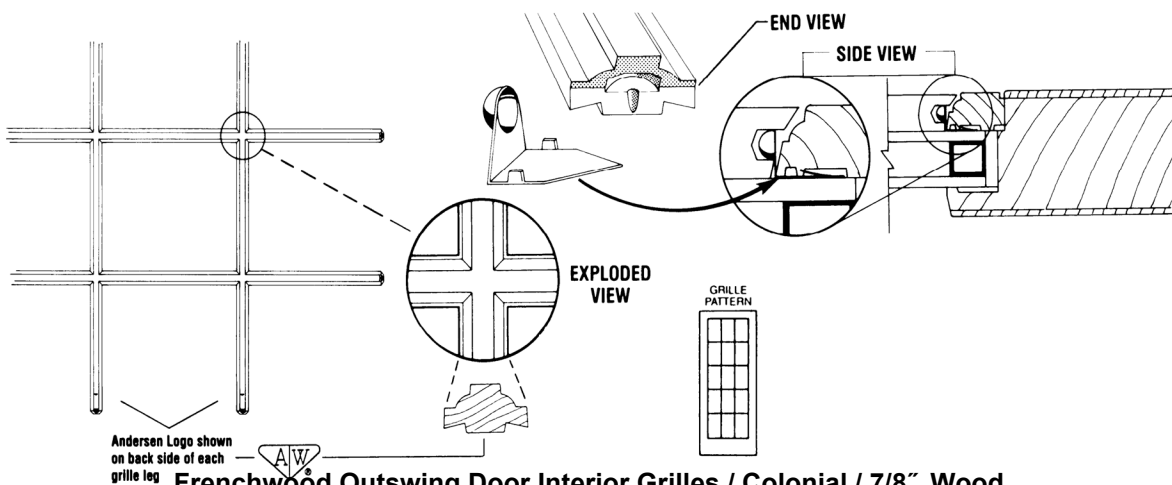
1. Description of part (Interior Grilles)
2. Quantity
3. Product ID (from product label, see [Service Guide 9051877](#)).

Interior Grilles - Colonial / 7/8" Wood / Natural Interior

Note:

See [Accessory Guide 0005285](#). See [Interior Grille Installation Video](#). Grilles include fasteners.

Interior Grilles - Colonial / 7/8" Wood / Maple



Frenchwood Outswing Door Interior Grilles / Colonial / 7/8" Wood

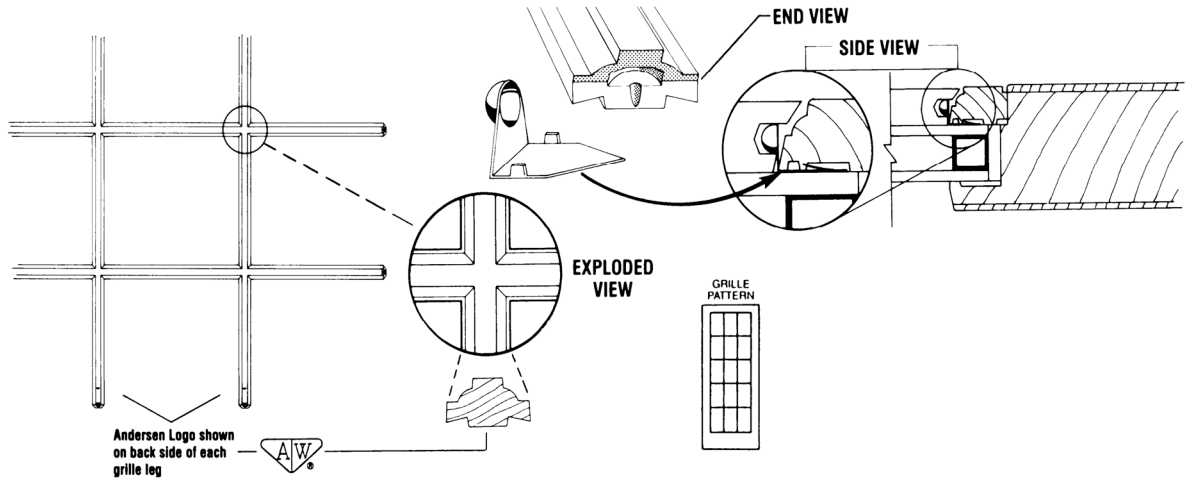
		Color/Species				
		Exterior				
		White	Terratone	Sandtone	Forest Green	
		Interior				
		MAPLE				
Unit No.	Dimensions (w x h)					
21	FWH2168	13 9/16 x 63 3/4	2576109	2666113	0921013	1265914
	FWH21611	13 9/16 x 66 5/8	2576111	2666114	0921014	1265915
	FWH2180	13 9/16 x 79 3/4	2576113	2666115	0921015	1265916
27	FWH2768	19 3/16 x 63 3/4	2576102	2666102	0921002	1265917
	FWH27611	19 3/16 x 66 5/8	2576103	2666103	0921003	1265918
	FWH2780	19 3/16 x 79 3/4	2576108	2666108	0921008	1265923
29	FWH2968	21 3/16 x 63 3/4	2576104	2666104	0921004	1265919
	FWH29611	21 3/16 x 66 5/8	2576105	2666105	0921005	1265920
	FWH2980	21 3/16 x 79 3/4	2576110	2666110	0921010	1265924
31	FWH3168	25 3/16 x 63 3/4	2576106	2666106	0921006	1265921
	FWH31611	25 3/16 x 66 5/8	2576107	2666107	0921007	1265922
	FWH3180	25 3/16 x 79 3/4	2576112	2666112	0921012	1265925

400 Series Frenchwood® Outswing Doors (1997 to 2016)

Single Panel, 2-Panel, and Stationary Panel

Grilles

Interior Grilles - Colonial / 7/8" Wood / Oak



Frenchwood Outswing Door Interior Grilles / Colonial / 7/8" Wood

Unit No.	Dimensions (w x h)	Color/Species				
		Exterior				
		White	Terratone	Sandtone	Forest Green	
		Interior				
		OAK				
21	FWH2168	13 ⁹ / ₁₆ × 63 ³ / ₄	2576114	2666116	0921016	1265926
	FWH21611	13 ⁹ / ₁₆ × 66 ⁵ / ₈	2576118	2666120	0921020	1265930
	FWH2180	13 ⁹ / ₁₆ × 79 ³ / ₄	2576122	2666124	0921024	1265934
27	FWH2768	19 ³ / ₁₆ × 63 ³ / ₄	2576115	2666117	0921017	1265927
	FWH27611	19 ³ / ₁₆ × 66 ⁵ / ₈	2576119	2666121	0921021	1265931
	FWH2780	19 ³ / ₁₆ × 79 ³ / ₄	2576123	2666125	0921025	1265935
29	FWH2968	21 ³ / ₁₆ × 63 ³ / ₄	2576116	2666118	0921018	1265928
	FWH29611	21 ³ / ₁₆ × 66 ⁵ / ₈	2576120	2666122	0921022	1265932
	FWH2980	21 ³ / ₁₆ × 79 ³ / ₄	2576124	2666126	0921026	1265936
31	FWH3168	25 ³ / ₁₆ × 63 ³ / ₄	2576117	2666119	0921019	1265929
	FWH31611	25 ³ / ₁₆ × 66 ⁵ / ₈	2576121	2666123	0921023	1265933
	FWH3180	25 ³ / ₁₆ × 79 ³ / ₄	2576125	2666127	0921027	1265937

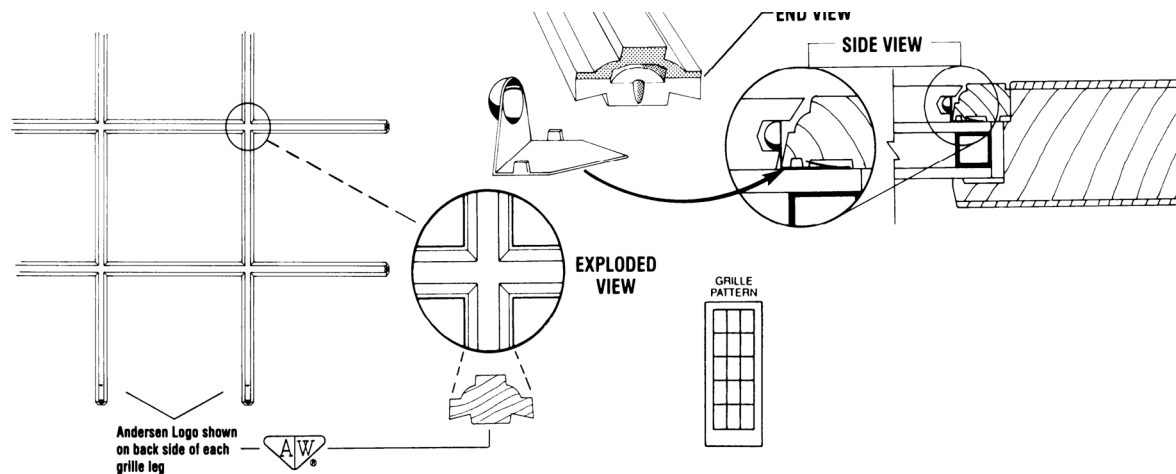
Grilles

Interior Grilles - Colonial / 7/8" Wood / Prefinished Interior

Note:

See [Accessory Guide 0005285](#). See [Interior Grille Installation Video](#). Grilles include fasteners.

Interior Grilles - Colonial / 7/8" Wood / Prefinished Interior



Frenchwood Outswing Door Interior Grilles / Colonial / 7/8" Wood

		Dimensions (w x h)	Color/Finish			
			Exterior			
Unit No.			White	Terratone	Sandtone	Forest Green
			Interior			
			White	Terratone	Sandtone	Forest Green
21	FWH2168	13 9/16 x 63 3/4	2576126	By description	By description	By description
	FWH21611	13 9/16 x 66 5/8	2576130	By description	By description	By description
	FWH2180	13 9/16 x 79 3/4	2576134	By description	By description	By description
27	FWH2768	19 3/16 x 63 3/4	2576127	By description	By description	By description
	FWH27611	19 3/16 x 66 5/8	2576131	By description	By description	By description
	FWH2780	19 3/16 x 79 3/4	2576135	By description	By description	By description
29	FWH2968	21 3/16 x 63 3/4	2576128	By description	By description	By description
	FWH29611	21 3/16 x 66 5/8	2576132	By description	By description	By description
	FWH2980	21 3/16 x 79 3/4	2576136	By description	By description	By description
31	FWH3168	25 3/16 x 63 3/4	2576129	By description	By description	By description
	FWH31611	25 3/16 x 66 5/8	2576133	By description	By description	By description
	FWH3180	25 3/16 x 79 3/4	2576137	By description	By description	By description

400 Series Frenchwood® Outswing Doors (1997 to 2016)

Single Panel, 2-Panel, and Stationary Panel

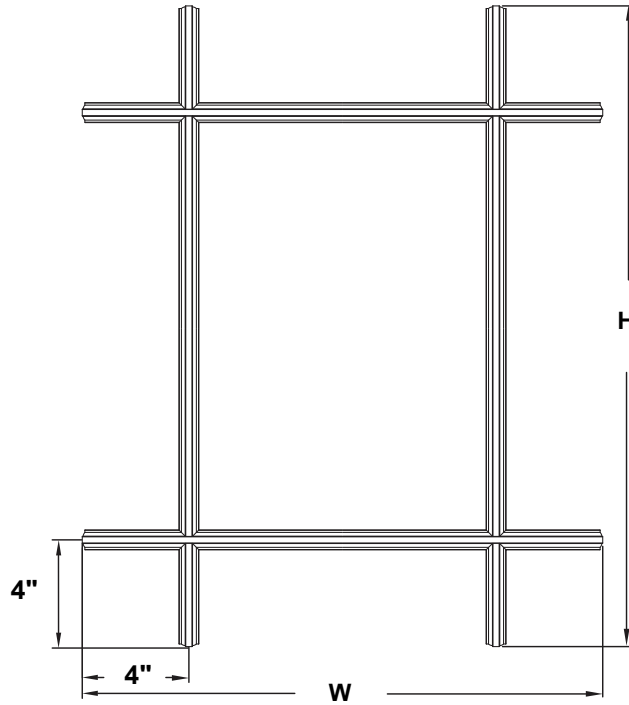
Grilles

Interior Grilles - Prairie A / 7/8" Wood / Natural Interior

Note:

See [Accessory Guide 0005285](#). See [Interior Grille Installation Video](#). Grilles include fasteners.

Interior Grilles - Prairie A / 7/8" Wood / Maple

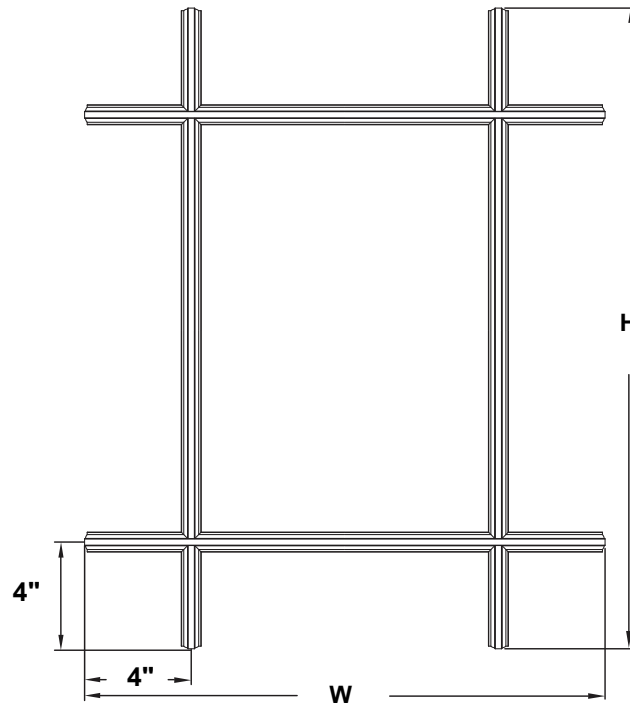


Frenchwood Outswing Door Interior Grilles / Prairie A / 7/8" Wood

Unit No.	Dimensions (w x h)	Color/Species				
		Exterior				
		White	Terratone	Sandtone	Forest Green	
		Interior				
		MAPLE				
21	FWH2168	13 9/16 × 63 3/4	2511294	2652708	0931027	1265956
	FWH21611	13 9/16 × 66 5/8	2511293	2652707	0931026	1265957
	FWH2180	13 9/16 × 79 3/4	2511295	2652709	0931028	1265958
27	FWH2768	19 3/16 × 63 3/4	2511297	2652711	0931030	1265959
	FWH27611	19 3/16 × 66 5/8	2511296	2652710	0931029	1265960
	FWH2780	19 3/16 × 79 3/4	2511298	2652712	0931031	1265961
29	FWH2968	21 3/16 × 63 3/4	2511301	2652714	0931033	1265962
	FWH29611	21 3/16 × 66 5/8	2511299	2652713	0931032	1265963
	FWH2980	21 3/16 × 79 3/4	2511302	2652715	0931034	1265964
31	FWH3168	25 3/16 × 63 3/4	2511304	2652717	0931036	1265965
	FWH31611	25 3/16 × 66 5/8	2511303	2652716	0931035	1265966
	FWH3180	25 3/16 × 79 3/4	2511305	2652718	0931037	1265967

Grilles

Interior Grilles - Prairie A / 7/8" Wood / Oak



Frenchwood Outswing Door Interior Grilles / Prairie A / 7/8" Wood

Unit No.	Dimensions (w x h)	Color/Species				
		Exterior				
		White	Terratone	Sandtone	Forest Green	
		Interior OAK				
21	FWH2168	13 ⁹ / ₁₆ × 63 ³ / ₄	2511338	2652751	0931070	1265968
	FWH21611	13 ⁹ / ₁₆ × 66 ⁵ / ₈	2511337	2652750	0931069	1265969
	FWH2180	13 ⁹ / ₁₆ × 79 ³ / ₄	2511339	2652752	0931071	1265970
27	FWH2768	19 ³ / ₁₆ × 63 ³ / ₄	2511341	2652754	0931073	1265971
	FWH27611	19 ³ / ₁₆ × 66 ⁵ / ₈	2511340	2652753	0931072	1265972
	FWH2780	19 ³ / ₁₆ × 79 ³ / ₄	2511342	2652755	0931074	1265973
29	FWH2968	21 ³ / ₁₆ × 63 ³ / ₄	2511344	2652757	0931076	1265974
	FWH29611	21 ³ / ₁₆ × 66 ⁵ / ₈	2511343	2652756	0931075	1265975
	FWH2980	21 ³ / ₁₆ × 79 ³ / ₄	2511345	2652758	0931077	1265976
31	FWH3168	25 ³ / ₁₆ × 63 ³ / ₄	2511347	2652760	0931079	1265977
	FWH31611	25 ³ / ₁₆ × 66 ⁵ / ₈	2511346	2652759	0931078	1265978
	FWH3180	25 ³ / ₁₆ × 79 ³ / ₄	2511348	2652761	0931080	1265979

400 Series Frenchwood® Outswing Doors (1997 to 2016)

Single Panel, 2-Panel, and Stationary Panel

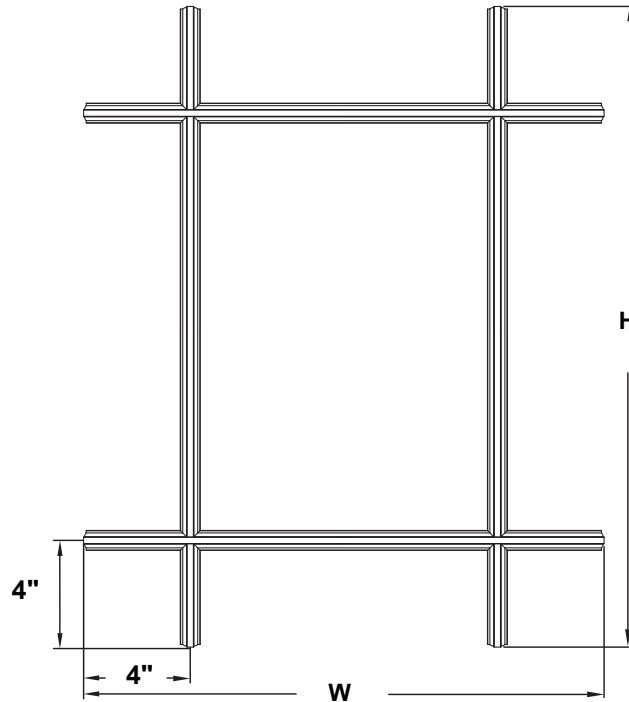
Grilles

Interior Grilles - Prairie A / 7/8" Wood / Prefinished Interior

Note:

See [Accessory Guide 0005285](#). See [Interior Grille Installation Video](#). Grilles include fasteners.

Interior Grilles - Prairie A / 7/8" Wood / Prefinished Interior




Frenchwood Outswing Door Interior Grilles / Prairie A / 7/8" Wood

		Dimensions (w x h)	Color/Species			
			Exterior			
			White	Terratone	Sandtone	Forest Green
Unit No.			Interior			
			White	Terratone	Sandtone	Forest Green
21	FWH2168	13 ⁹ / ₁₆ × 63 ³ / ₄	2511251	By description	By description	By description
	FWH21611	13 ⁹ / ₁₆ × 66 ⁵ / ₈	2511250	By description	By description	By description
	FWH2180	13 ⁹ / ₁₆ × 79 ³ / ₄	2511252	By description	By description	By description
27	FWH2768	19 ³ / ₁₆ × 63 ³ / ₄	2511254	By description	By description	By description
	FWH27611	19 ³ / ₁₆ × 66 ⁵ / ₈	2511253	By description	By description	By description
	FWH2780	19 ³ / ₁₆ × 79 ³ / ₄	2511255	By description	By description	By description
29	FWH2968	21 ³ / ₁₆ × 63 ³ / ₄	2511257	By description	By description	By description
	FWH29611	21 ³ / ₁₆ × 66 ⁵ / ₈	2511256	By description	By description	By description
	FWH2980	21 ³ / ₁₆ × 79 ³ / ₄	2511258	By description	By description	By description
31	FWH3168	25 ³ / ₁₆ × 63 ³ / ₄	2511260	By description	By description	By description
	FWH31611	25 ³ / ₁₆ × 66 ⁵ / ₈	2511259	By description	By description	By description
	FWH3180	25 ³ / ₁₆ × 79 ³ / ₄	2511261	By description	By description	By description


Grilles

Interior Grille Parts

Grille Fastener

		Order No. 1974314
---	--	-----------------------------

Grille Installation Tool

		Order No. 9019326
---	--	-----------------------------

400 Series Frenchwood® Outswing Doors (1997 to 2016)

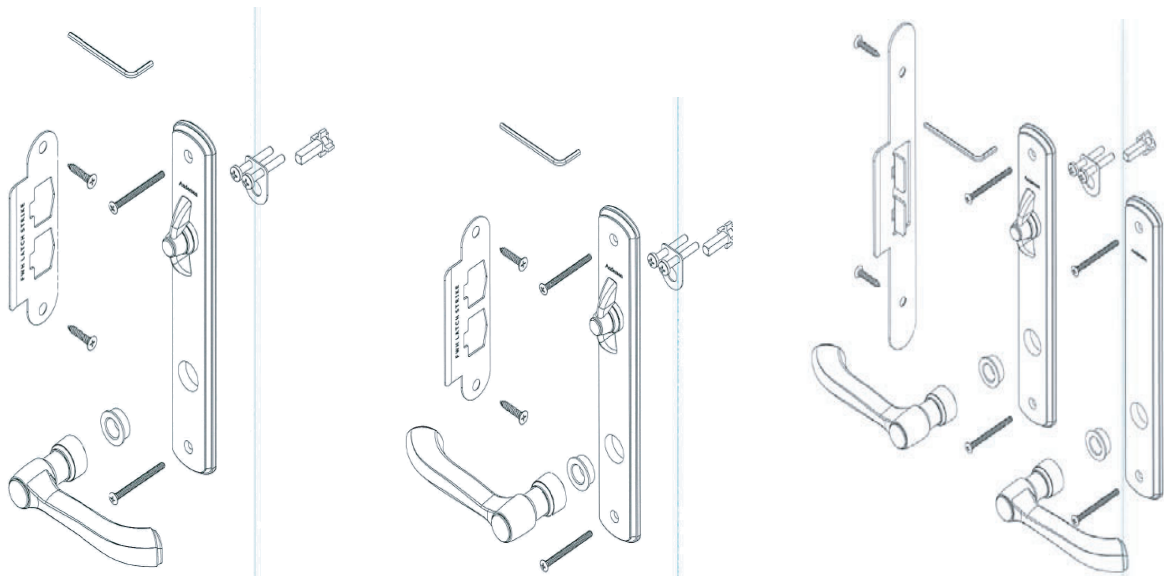
Single Panel, 2-Panel, and Stationary Panel

Hardware

Andersen® Half Trim Set Kits - Interior

Note:

Interior half trim sets are available for Newbury®, Covington, Encino® Yuma®, Anvers®, Whitmore®, Tribeca®, and Albany Hardware.



Albany Style Shown

Sets include:	AR	AL	AP/PA
Handle, RH Hinged*	NA	1	1
Handle, LH Hinged*	1	NA	1
Plate, Escutcheon, Inside Active Hinged	1	1	1
Plate, Escutcheon, Inside Passive Hinged	NA	NA	1
Limiting Plate	1	1	1
Actuator, Lock	1	1	1
Screw, #10 Fill HD, PH, M5X.8-35MM, Zinc	2	2	2
Screw, #8-32UNC x 2, PH Oval HD, MACH	2	2	4
1/8 Allen Wrench	1	1	1
Strike, Plate Single	1	1	NA
Strike, Plate Double	NA	NA	1
Screw, #10 x 1.000 PH FH S/M/S	2	2	2

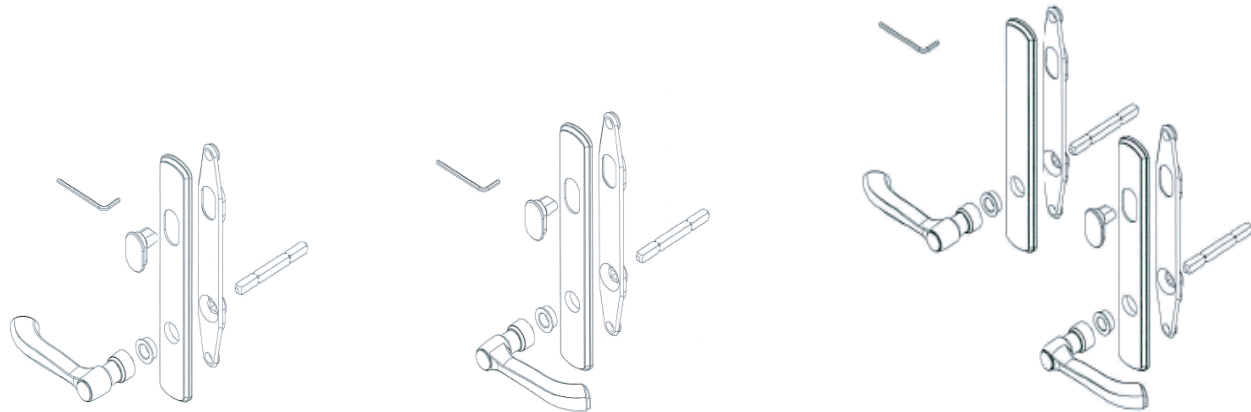
*Pack has a RH handle for an active left door and a LH handle for an active right door and both for AP/PA.

Hardware

Andersen® Half Trim Set Kits - Exterior

Note:

Exterior half trim sets are available for Newbury®, Covington®, Encino®, Yuma®, Anvers®, Whitmore®, Tribeca®, and Albany Hardware. Tribeca® includes threaded studs.



Albany Style Shown

Sets include:	AR	AL	AP/PA
Handle, RH Hinged*	1	N/A	1
Handle, LH Hinged*	N/A	1	1
Plate, Outside Active	1	1	1
Plate, Outside Passive	N/A	N/A	1
Gasket, Trimset	1	1	2
Straight Spindle	1	1	2
Screw, 1/4-20 UNC SS, KNURL CUP PT SET	1	1	2
Cylinder, Dummy	1	1	1
Bushing Trim Adapter	1	1	2
1/8 Allen Wrench	1	1	1

*Pack has a LH handle for an active left door and a RH handle for an active right door and both for AP/PA.

400 Series Frenchwood® Outswing Doors (1997 to 2016)

Single Panel, 2-Panel, and Stationary Panel

Hardware

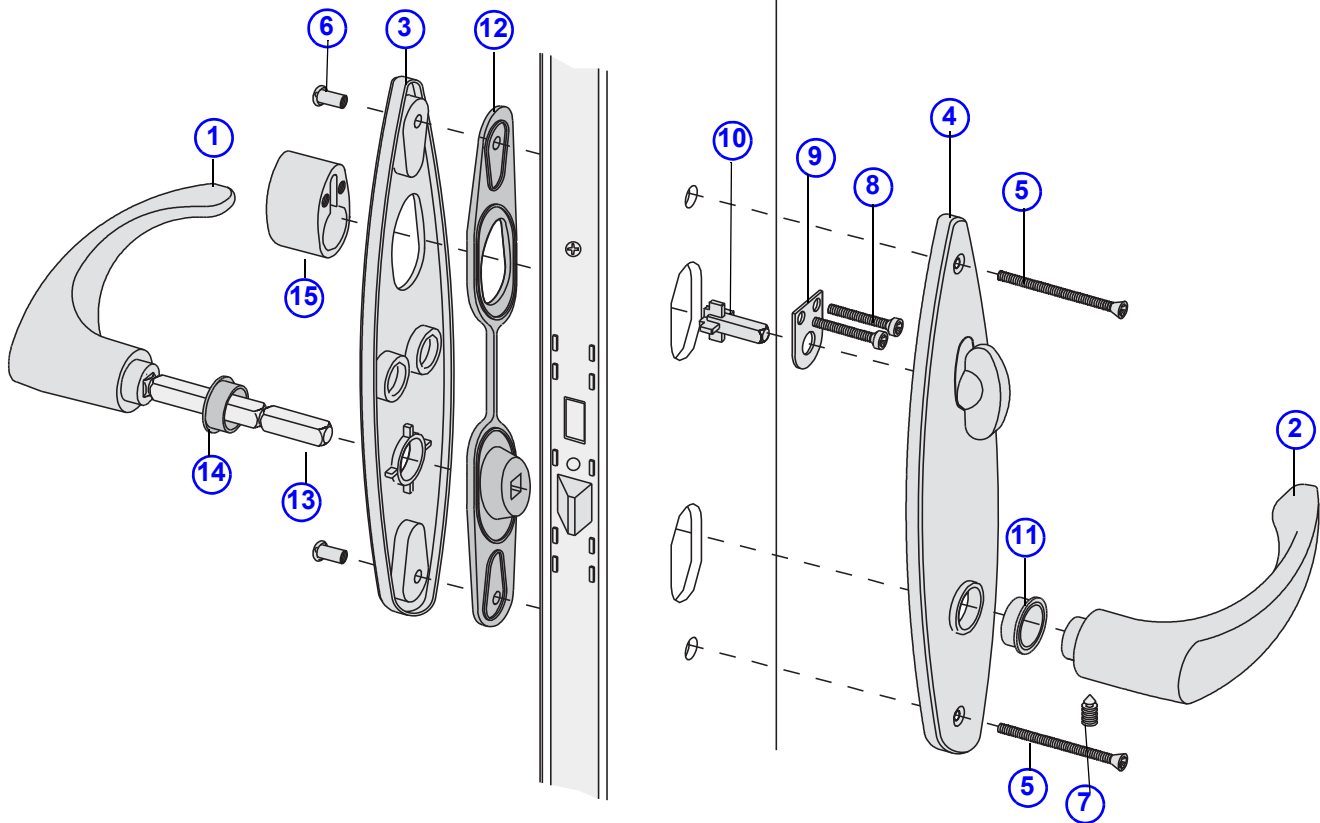
Construction Trim Set		
Construction Trim Set - Active		
	Kit includes: Plate, passive outside Plate, active inside (assembly) Handle, exterior (assembly) Handle, interior (assembly) Actuator, lock (assembly) Plate, limiting Screw, M5 X .8-35MM PH W/#10 Fill Head Machine, Zinc Retainer, bolt Stud, tapped Screw, #8-32 UNC X 1.625, PH W/#10 Oval Head, Machine Wrench, Allen, 1/8 Guide and instructions	Order No. 9020356
Construction Trim Set - Passive		
	Kit includes: Plate, passive outside Handle, exterior (assembly) Handle, interior (assembly) Stud, tapped Screw, #8-32 UNC X 1.625, PH W/#10 Oval Head, Machine Wrench, Allen, 1/8 Guide and instructions	Order No. 9020357

Hardware

Andersen® Hardware - Tribeca®

Note:

Metro hardware on Frenchwood Hinged doors manufactured from 1999 to 2004 uses Tribeca® replacement hardware. See [Accessory Guide 0005156](#).



- | | | |
|---|--|-------------------------------------|
| 1. Exterior Handle (LH Shown) | 6. Escutcheon Plate Mounting Studs | 11. Nylon Bushing |
| 2. Interior Handle (RH Shown) | 7. Handle Set Screw (Package) | 12. Trim Set Gasket |
| 3. Active Exterior Escutcheon Plate | 8. Key Cylinder Mounting Bolts | 13. Spindle |
| 4. Active Interior Escutcheon Plate | 9. Lock Limiting Plate | 14. Nylon Bushing |
| 5. Escutcheon Plate Bolts | 10. Lock Actuator | 15. Dummy Cylinder |

Tribeca® Hinged Patio Door Hardware - Single Trim Set

400 Series Frenchwood® Outswing Doors (1997 to 2016)

Single Panel, 2-Panel, and Stationary Panel

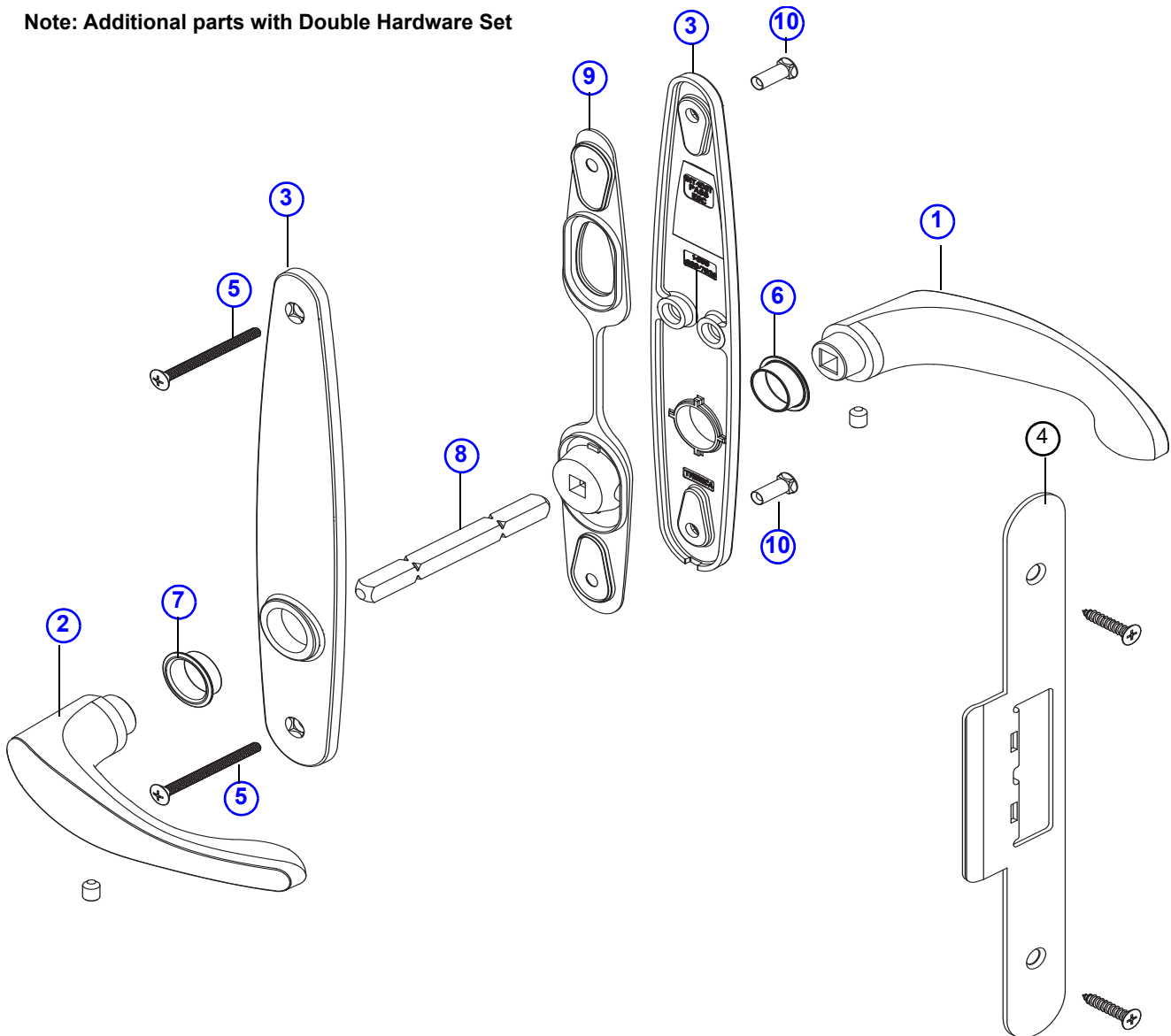
Hardware

Tribeca® Hardware - Passive Hardware Illustration

Note:

See [Accessory Guide 0004286](#).

Note: Additional parts with Double Hardware Set


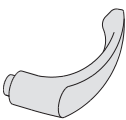



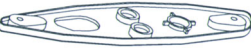

1. [Exterior Handle \(LH Shown\)](#)
2. [Interior Handle \(RH Shown\)](#)
3. [Passive Exterior/Interior Escutcheon Plate](#)
4. AP/PA Strike Plate (Not Needed on outswing doors)
5. [Escutcheon Plate Bolts](#)
6. [Nylon Bushing](#)
7. [Nylon Bushing](#)
8. [Spindle](#)
9. [Trim Set Gasket](#)
10. [Escutcheon Plate Mounting Studs](#)

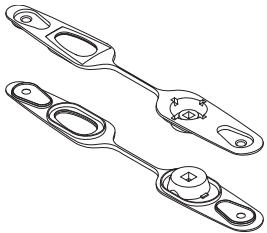
Tribeca® Hinged Patio Door Hardware - Double Trim Set

Hardware

Complete Trim Set - Tribeca® / Interior and Exterior See Illustration page 68 and page 69				
	Finish	Single	Double AP/PA	
	Stone	2577557	2577558	
	White	2577555	2577556	
Trim Set - Tribeca® / Interior See Illustration page 65				
	Finish	Single		Double AP/PA
		Left	Right	Order No.
	Stone	2572662	2572772	2572663
White	2572660	2572771	2572661	
Trim Set - Tribeca® / Exterior See Illustration page 66				
	Finish	Single		Double AP/PA
		Left	Right	Order No.
	Stone	2572603	2572750	2572604
White	2572601	2572749	2572602	

Lever Handle with Screws - Tribeca® Ref. No. 1 and 2 page 68 and page 69				
 Left Hand	 Right Hand	Finish	Left	Right
		Stone	2579848	2579849
		White	2579835	2579836

Escutcheon Plate - Tribeca® Ref. No. 3 and 4 page 68 and page 69						
 Active Interior	 Active Exterior	 Passive	Finish	Active Interior	Active Exterior	Passive Interior/ Exterior
			Stone	2579852	2579854	2579853
			White	2579839	2579841	2579840

Gasket - Trim Set / Tribeca® Ref. No. 12 page 68 and page 69		Order No.
	Note: Use for Tribeca® trim set. Tribeca® (Metro™) gaskets prior to 1999 are available in the service only section page 146	2962513

400 Series Frenchwood® Outswing Doors (1997 to 2016)

Single Panel, 2-Panel, and Stationary Panel

Hardware

Bushing - Tribeca® Ref. 11 & 14 [page 68](#) and 6 & 7 [page 69](#)

	<p>Note: Made of Nylon. Tribeca® handles made prior to November 2020 use this bushing. If replacing this vintage of bushing you will need to order the current trim set screw pack (includes bushing), handle and escutcheon plate.</p> <p>Tribeca® handles made November 2020 - present use bushing included in current trim set screw pack page 95</p> <p>Replace the old style gold bushing used prior to 1999 with this bushing.</p>	Clear
		N/A

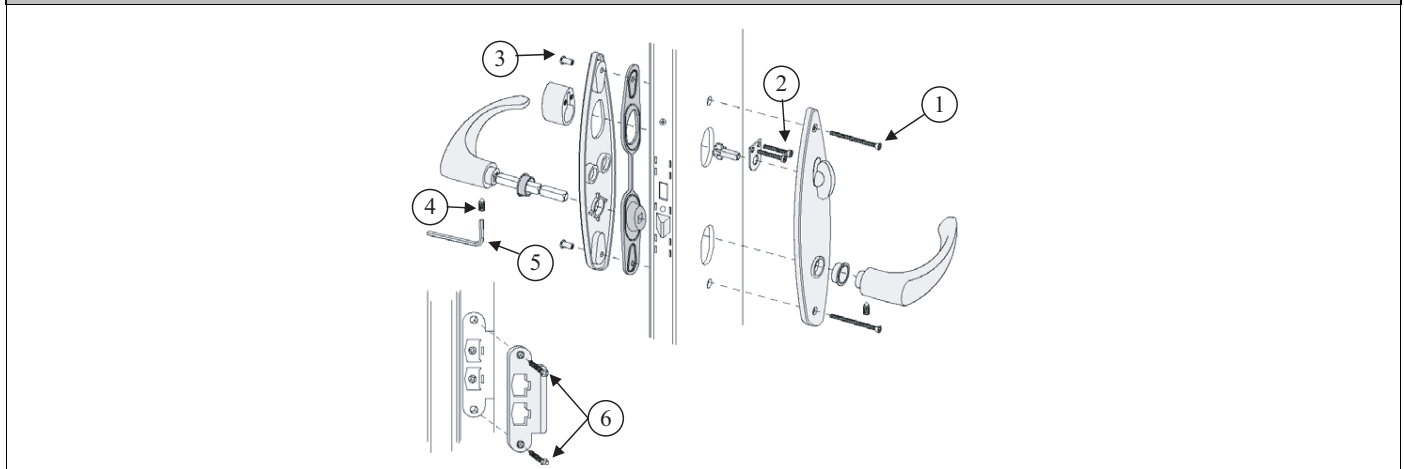
Dummy Cylinder - Lock Set / Tribeca® No. 15 [page 68](#)

	Finish	Order No.
	Stone	2579860
	White	2579847

Escutcheon Plate Bolt with Stud / Tribeca®

	Description	Finish	Order No.
	2 - #8 - 32 x 2 PH OH MS YZP 2 - threaded studs	Stone	2579855
		White	2579842

Screw Package - Trim Set / Tribeca®



Note:

Threaded stud shown as #3 not included with this kit. See escutcheon plate bolt with stud.

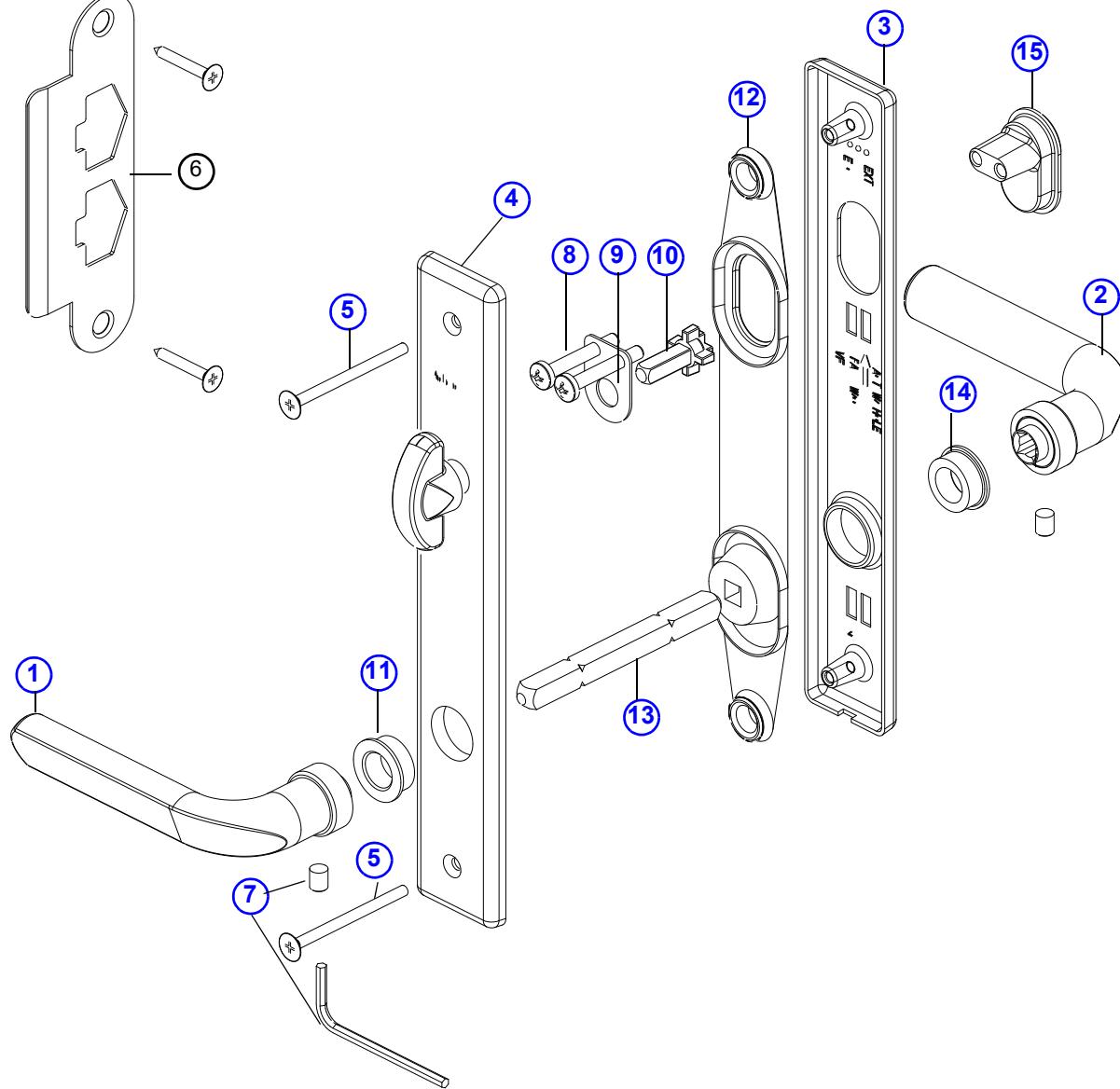
Ref. No.	Package Includes	Finish	Order No.
1	2 - screw, #8 - 32 x 2 PH OH MS YZP	Stone	2579767
2	2 - screw, 5mm x 35 PH Pan MS YXP	White	2579766
6	2 - screw, #10 x 1" PH FH S/M/S		
4	2 - screw, 1/4 - 20 UNC SS knurled cup point set		
5	1 - 1/8 allen wrench		

Hardware

Andersen® Hardware - Anvers®

Note:

See [Accessory Guide 0005156](#).



- | | | |
|---|--|--|
| 1. Interior Handle (LH Shown) | 6. Strike Plate (Not Needed on outswing doors) | 11. Interior Nylon Bushing |
| 2. Exterior Handle (RH Shown) | 7. Handle Set Screw (Package) | 12. Trim Set Gasket |
| 3. Active Exterior Escutcheon Plate | 8. Key Cylinder Mounting Bolts | 13. Spindle |
| 4. Active Interior Escutcheon Plate | 9. Lock Limiting Plate | 14. Exterior Nylon Bushing |
| 5. Escutcheon Plate Bolts | 10. Lock Actuator | 15. Dummy Cylinder |

Anvers® Hinged Patio Door Hardware - Single Trim Set

400 Series Frenchwood® Outswing Doors (1997 to 2016)

Single Panel, 2-Panel, and Stationary Panel

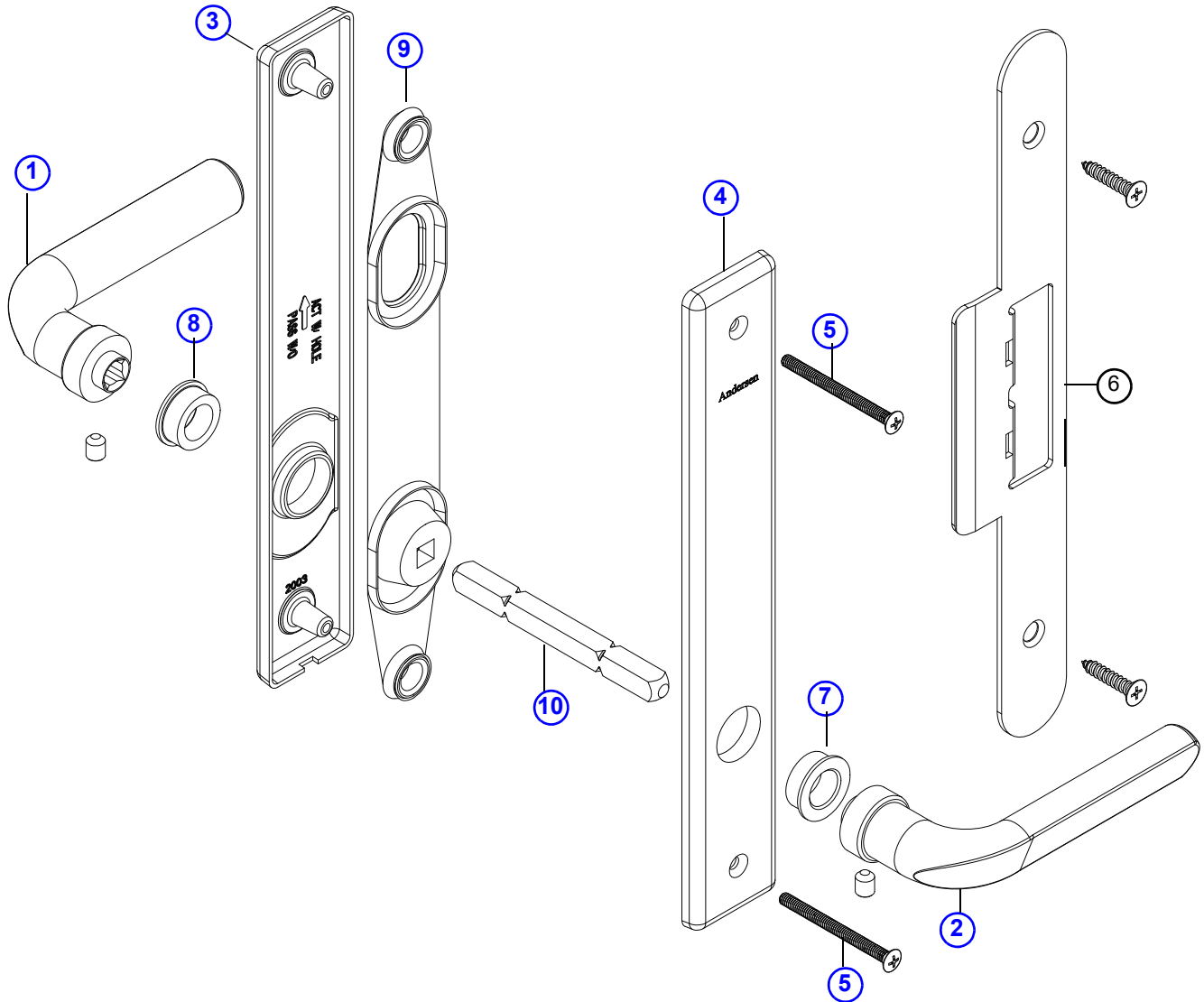
Hardware

Anvers® Hardware - Passive Hardware Illustration

Note:

See [Accessory Guide 0004286](#).

Note: Additional parts with Double Hardware Set



- | | |
|--|--|
| 1. Exterior Handle (LH Shown) | 6. AP/PA Strike Plate (Not Needed on outswing doors) |
| 2. Interior Handle (RH Shown) | 7. Interior Nylon Bushing |
| 3. Passive Exterior Escutcheon Plate | 8. Exterior Nylon Bushing |
| 4. Passive Interior Escutcheon Plate | 9. Trim Set Gasket |
| 5. Escutcheon Plate Bolts | 10. Spindle |

Anvers® Hinged Patio Door Hardware - Double Trim Set

Hardware

Complete Trim Set - Anvers® / Interior and Exterior See Illustration page 72 and page 73			
	Finish	Single	Double AP/PA
	Bright Brass	2578913	2578914
	Oil Rubbed Bronze	2578917	2578918
	Satin Nickel	2578915	2578916

Trim Set - Anvers® / Interior See Illustration page 65				
	Finish	Single		Double AP/PA
		Left	Right	Order No.
Bright Brass		2572676	2572779	2572677
Oil Rubbed Bronze		2572686	2572784	2572687
Satin Nickel		2572692	2572787	2572693

Trim Set - Anvers® / Exterior See Illustration page 66				
	Finish	Single		Double AP/PA
		Left	Right	Order No.
Bright Brass		2572632	2572757	2572633
Oil Rubbed Bronze		2572642	2572762	2572643
Satin Nickel		2572648	2572765	2572649

Handle with Screws - Anvers® Ref. No. 1 and 2 page 72 and page 73			
	Finish	Left	Right
	Bright Brass	2573719	2573720
	Oil Rubbed Bronze	2573721	2573722
	Satin Nickel	2573723	2573724

Escutcheon Plate - Anvers® / Exterior Ref. No. 3 page 72 and page 73			
	Finish	Active	Passive
	Bright Brass	2573741	2573742
	Oil Rubbed Bronze	2573745	2573746
	Satin Nickel	2573749	2573750

Escutcheon Plate - Anvers® / Interior Ref. No. 4 page 72 and page 73			
	Finish	Active	Passive
	Bright Brass	2573739	2573740
	Oil Rubbed Bronze	2573743	2573744
	Satin Nickel	2573747	2573748

400 Series Frenchwood® Outswing Doors (1997 to 2016)

Single Panel, 2-Panel, and Stationary Panel

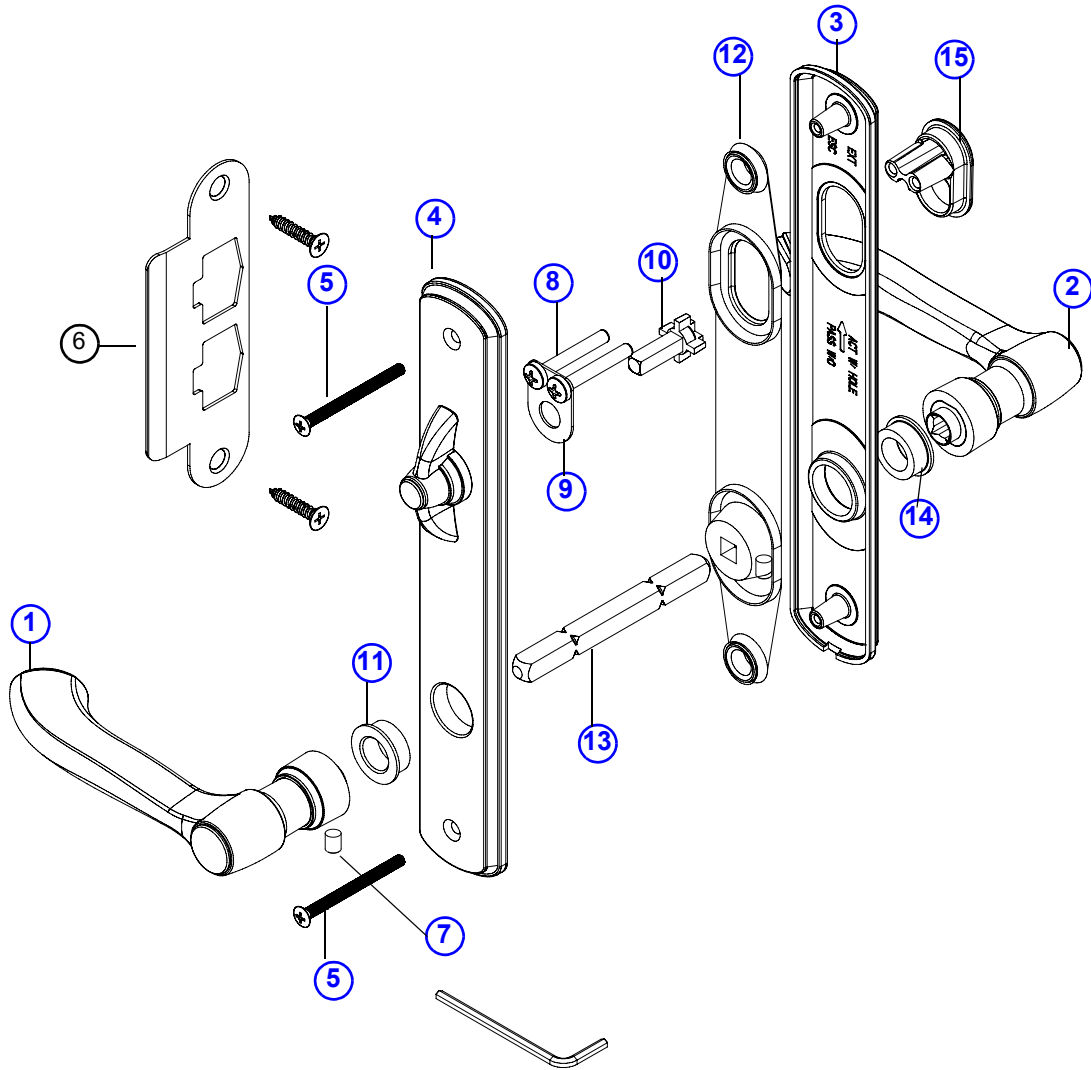
Hardware

Andersen® Hardware - Albany

Albany Hardware - Single Trim Set Illustration

Note:

See [Accessory Guide 0005156](#).



- | | | |
|--|--|--|
| 1. Interior Handle (LH Shown) | 6. Strike Plate (Not Needed on outswing doors) | 11. Interior Nylon Bushing |
| 2. Exterior Handle (RH Shown) | 7. Handle Set Screw (Package) | 12. Trim Set Gasket |
| 3. Passive Exterior Escutcheon Plate | 8. Key Cylinder Mounting Bolts | 13. Spindle |
| 4. Passive Interior Escutcheon Plate | 9. Lock Limiting Plate | 14. Exterior Nylon Bushing |
| 5. Escutcheon Plate Bolts | 10. Lock Actuator | 15. Dummy Cylinder |

Albany Hardware for Hinged Doors - Single Trim Set

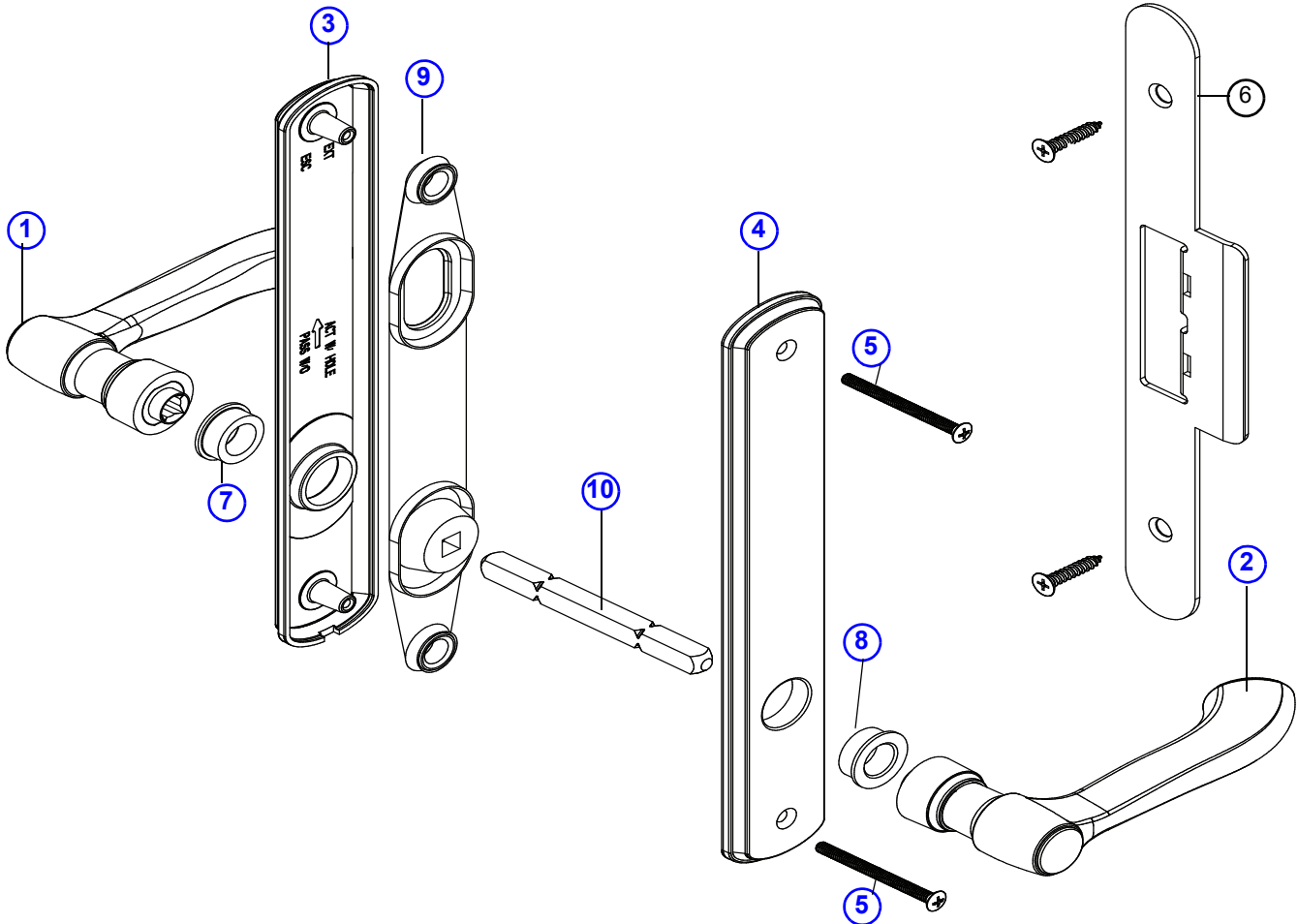
Hardware

Albany Hardware - Passive Hardware Illustration

Note:

See [Accessory Guide 0004286](#).

Note: Additional parts with Double Hardware Set



- | | |
|--|--|
| 1. Exterior Handle (LH Shown) | 6. AP/PA Strike Plate (Not Needed on outswing doors) |
| 2. Interior Handle (RH Shown) | 7. Interior Nylon Bushing |
| 3. Passive Exterior Escutcheon Plate | 8. Exterior Nylon Bushing |
| 4. Passive Interior Escutcheon Plate | 9. Trim Set Gasket |
| 5. Escutcheon Plate Bolts | 10. Spindle |

Albany Hardware for Hinged Doors - Double Trim Set

400 Series Frenchwood® Outswing Doors (1997 to 2016)

Single Panel, 2-Panel, and Stationary Panel

Hardware

Complete Trim Set - Interior/Exterior (Albany) See Illustration page 75 and page 76			
	Finish	Single	Double AP/PA
	White	9007546	9007550
	Stone	9007547	9007551
	Gold Dust	N/A	N/A
	Black	9007549	9007553

Trim Set - Interior (Albany) See Illustration page 65				
	Finish	Single		Double AP/PA
		Left	Right	Order No.
	White	9007570	9007578	9007571
	Stone	9007572	9007579	9007573
	Gold Dust	N/A	N/A	N/A
Black	9007576	9007581	9007577	

Trim Set - Exterior (Albany) See Illustration page 66				
	Finish	Single		Double AP/PA
		Left	Right	Order No.
	White	9007582	9007590	9007583
	Stone	9007584	9007591	9007585
	Gold Dust	N/A	N/A	N/A
Black	9007588	9007593	9007589	

Lever Handle with Screws (Albany) Ref. No. 1 and 2 page 75 and page 76			
	Finish	Left	Right
	White	9018906	9018907
	Stone	9018908	9018909
	Gold Dust	N/A	N/A
	Black	9018912	9018913

Escutcheon Plate - Interior (Albany) Ref. No. 4 page 75 and page 76			
	Finish	Active	Passive AP/PA
	White	9018941	9018949
	Stone	9018942	9018950
	Gold Dust	9018943	N/A
	Black	9018944	9018952

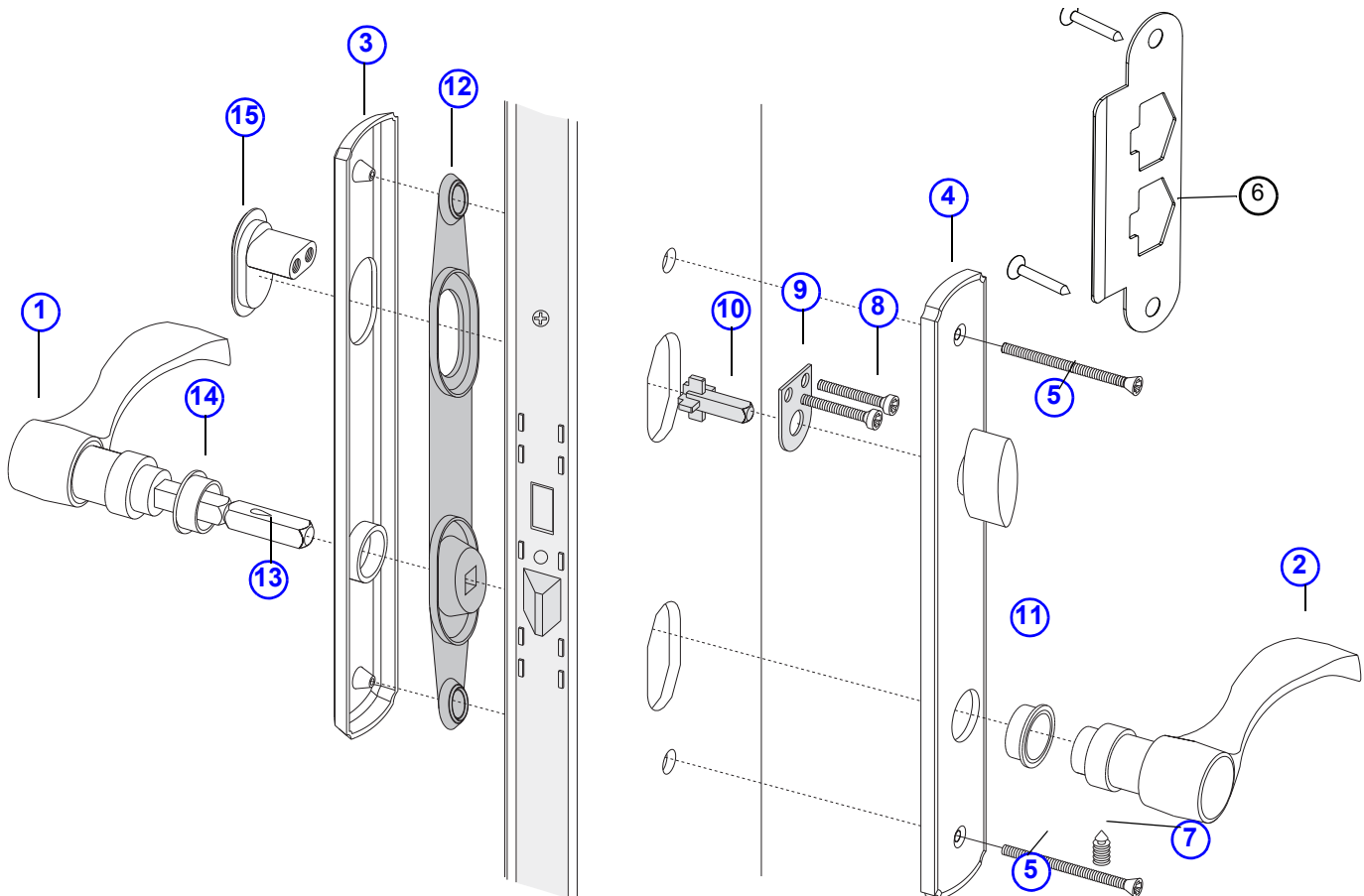
Escutcheon Plate - Exterior (Albany) Ref. No. 3 page 75 and page 76			
	Finish	Active	Passive AP/PA
	White	9018937	9018945
	Stone	9018938	9018946
	Gold Dust	9018939	N/A
	Black	9018940	9018948

Hardware

Andersen® Hardware - Newbury®

Note:

See [Accessory Guide 0005156](#).



- | | | |
|---|--|--|
| 1. Exterior Handle (LH Shown) | 6. Strike Plate (Not Needed on outswing doors) | 11. Interior Nylon Bushing |
| 2. Interior Handle (RH Shown) | 7. Handle Set Screw (Package) | 12. Trim Set Gasket |
| 3. Active Exterior Escutcheon Plate | 8. Key Cylinder Mounting Bolts | 13. Spindle |
| 4. Active Interior Escutcheon Plate | 9. Lock Limiting Plate | 14. Exterior Nylon Bushing |
| 5. Escutcheon Plate Bolts | 10. Lock Actuator | 15. Dummy Cylinder |

Newbury® Hardware for Hinged Doors - Single Trim Set

400 Series Frenchwood® Outswing Doors (1997 to 2016)

Single Panel, 2-Panel, and Stationary Panel

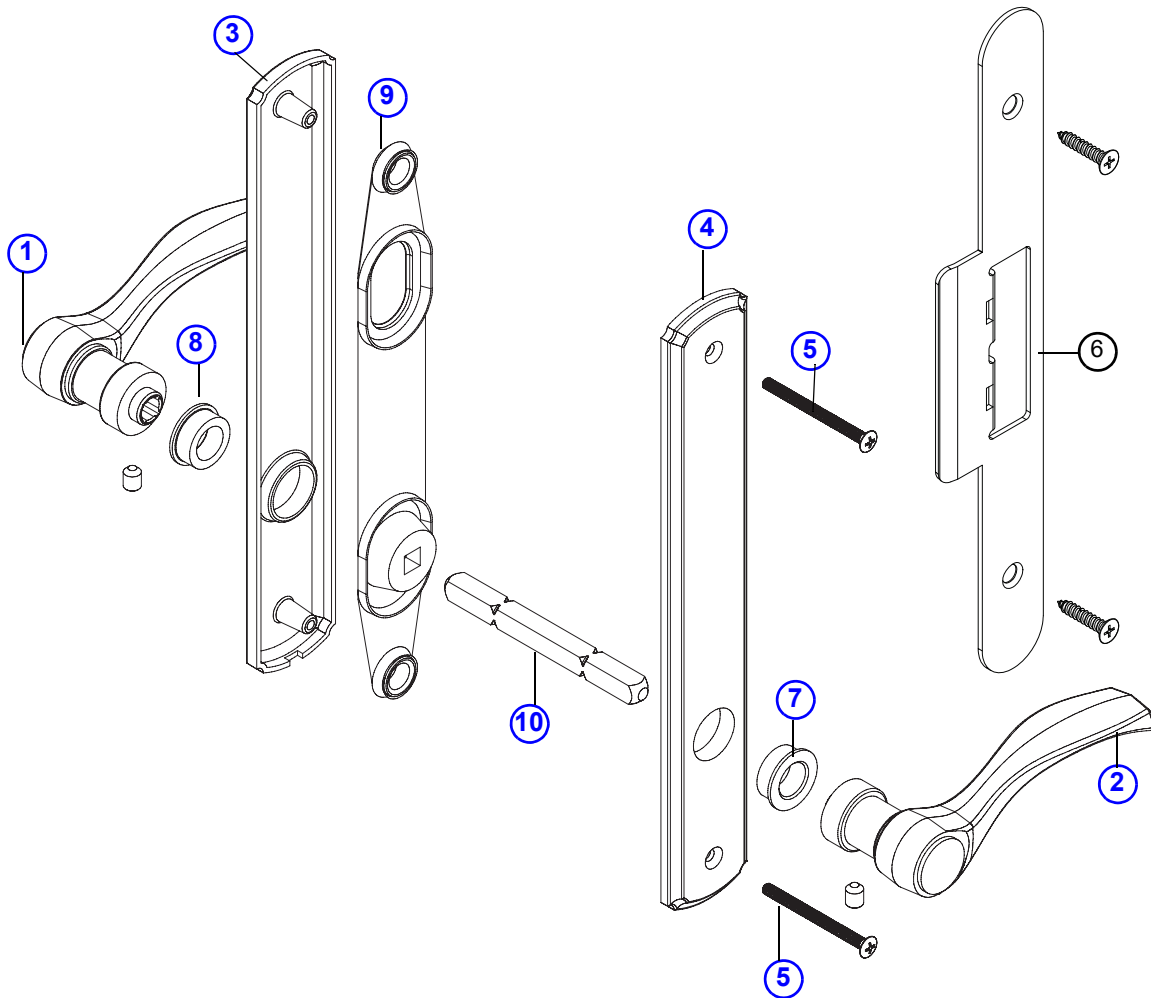
Hardware

Newbury® Hardware - Passive Hardware Illustration

Note:

See [Accessory Guide 0004286](#).

Note: Additional parts with Double Hardware Set



- | | |
|--|--|
| 1. Exterior Handle (LH Shown) | 6. AP/PA Strike Plate (Not Needed on outswing doors) |
| 2. Interior Handle (RH Shown) | 7. Interior Nylon Bushing |
| 3. Passive Exterior Escutcheon Plate | 8. Exterior Nylon Bushing |
| 4. Passive Interior Escutcheon Plate | 9. Trim Set Gasket |
| 5. Escutcheon Plate Bolts | 10. Spindle |

Newbury® Hardware for Hinged Doors - Double Trim Set

Hardware

Complete Trim Set - Newbury® / Interior and Exterior See Illustration [page 78](#) and [page 79](#)

	Finish	Single	Double AP/PA
	Antique Brass	2577504	2577521
Brushed Chrome	2579746	2579747	
Chrome	2577501	2577533	
H.P. Bright Brass	2577543	2577544	
Oil Rubbed Bronze	2579742	2579743	
Satin Nickel	2579443	2579455	



Trim Set - Newbury® / Interior See Illustration [page 65](#)

	Finish	Single		Double AP/PA
		Left	Right	Order No.
Antique Brass	2572666	2572774	2572667	
Brushed Chrome	N/A	N/A	NA	
Chrome	N/A	N/A	N/A	
H.P. Bright Brass	2572664	2572773	2572665	
Oil Rubbed Bronze	2572672	2572777	2572673	
Satin Nickel	2572674	2572778	2572675	

Trim Set - Newbury® / Exterior See Illustration [page 66](#)

	Finish	Single		Double AP/PA
		Left	Right	Order No.
Antique Brass	2572607	2572752	2572608	
Brushed Chrome	N/A	NA	N/A	
Chrome	N/A	N/A	N/A	
H.P. Bright Brass	2572605	2572751	2572606	
Oil Rubbed Bronze	2572628	2572755	2572629	
Satin Nickel	2572630	2572756	2572631	

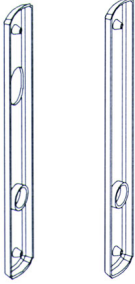
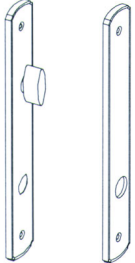
Handle with Screws - Newbury® Ref. No. 1 and 2 [page 78](#) and [page 79](#)

 Right Hand	 Left Hand	Finish	Left	Right
		Antique Brass	2579610	2579614
Brushed Chrome	N/A	N/A		
Chrome	2579597	2579598		
H.P. Bright Brass	2579611	2579612		
Oil Rubbed Bronze	2579901	2579903		
Satin Nickel	2579441	2579442		

400 Series Frenchwood® Outswing Doors (1997 to 2016)

Single Panel, 2-Panel, and Stationary Panel

Hardware

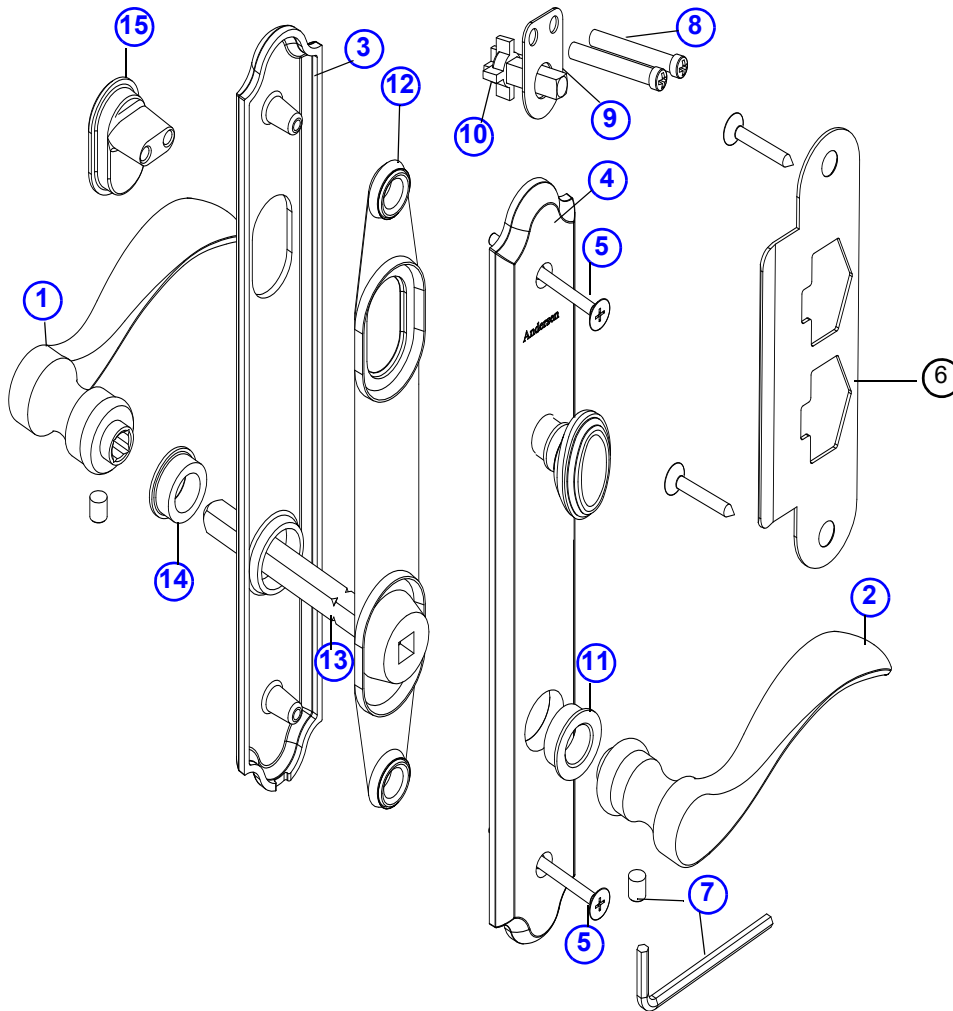
Escutcheon Plate - Newbury® / Exterior Ref. No. 3 page 78 and page 79				
 <p>Active Passive</p>	<p>Note: Escutcheon plates prior to 1999 were offered in Bright Brass, Antique Brass, and Polished Chrome.</p>	Finish	Active	Passive
		Antique Brass	2579606	2579680
		Brushed Chrome	2579914	2579916
		Chrome	N/A	2579604
		H.P. Bright Brass	2579605	2579601
		Oil Rubbed Bronze	2579913	2579915
		Satin Nickel	2579449	2579448
Escutcheon Plate - Newbury® / Interior page 78 and page 79				
 <p>Active Passive</p>		Finish	Active	Passive
		Antique Brass	2579602	2579674
		Brushed Chrome	2579912	2579910
		Chrome	2579587	2579603
		H.P. Bright Brass	2579609	2579589
		Oil Rubbed Bronze	2579911	2579909
		Satin Nickel	2579446	2579447

Hardware

Andersen® Hardware - Covington™

Note:

See [Accessory Guide 0005156](#).



- | | | |
|---|--|--|
| 1. Exterior Handle (LH Shown) | 6. Strike Plate (Not Needed on outswing doors) | 11. Interior Nylon Bushing |
| 2. Interior Handle (RH Shown) | 7. Handle Set Screw (Package) | 12. Trim Set Gasket |
| 3. Active Exterior Escutcheon Plate | 8. Key Cylinder Mounting Bolts | 13. Spindle |
| 4. Active Interior Escutcheon Plate | 9. Lock Limiting Plate | 14. Exterior Nylon Bushing |
| 5. Escutcheon Plate Bolts | 10. Lock Actuator | 15. Dummy Cylinder |

Covington™ Hardware for Hinged Doors - Single Trim Set

400 Series Frenchwood® Outswing Doors (1997 to 2016)

Single Panel, 2-Panel, and Stationary Panel

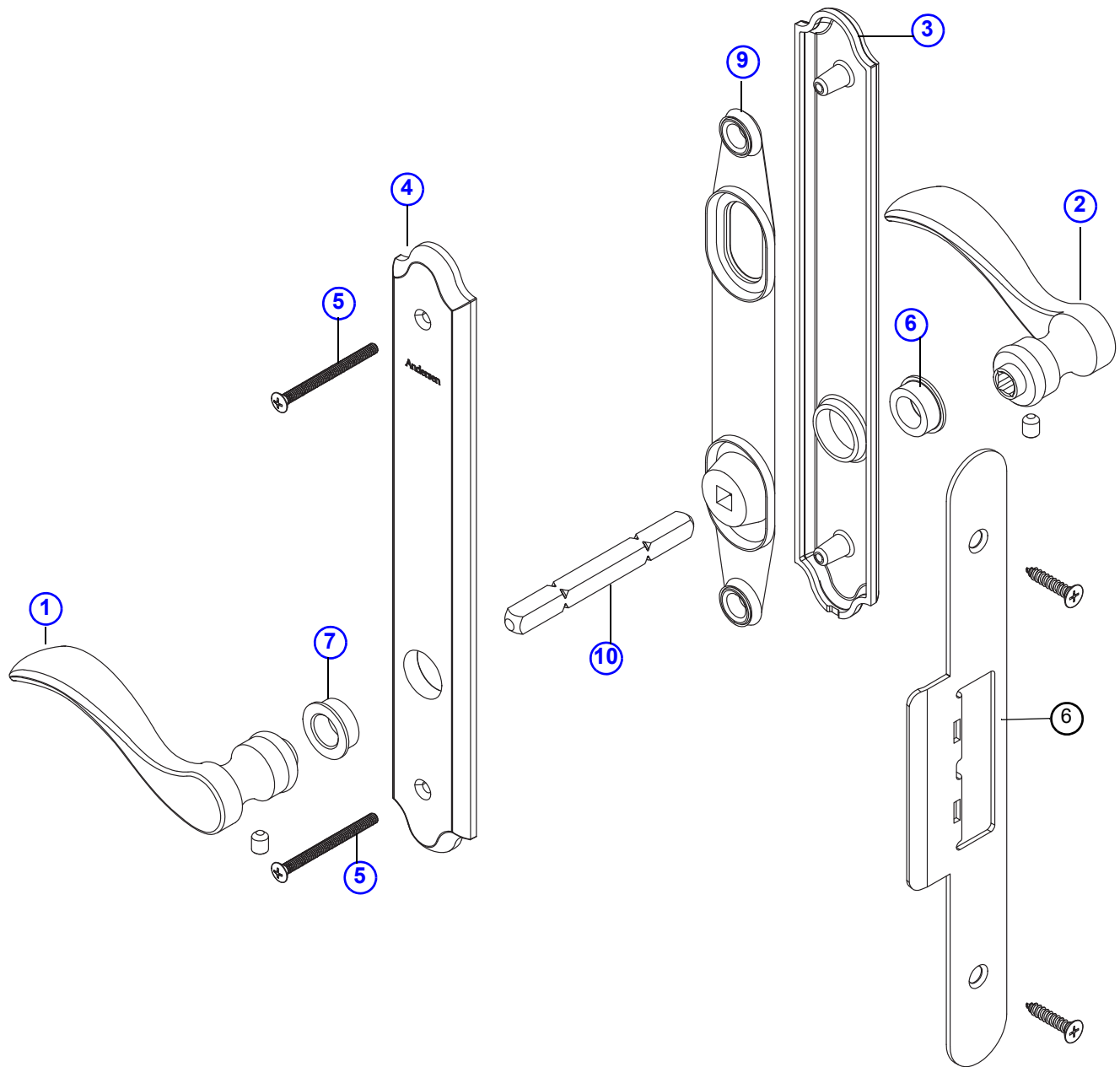
Hardware

Covington™ Hardware - Passive Hardware Illustration

Note:

See [Accessory Guide 0004286](#).

Note: Additional parts with Double Hardware Set



1. [Exterior Handle \(LH Shown\)](#)
2. [Interior Handle \(RH Shown\)](#)
3. [Passive Exterior Escutcheon Plate](#)
4. [Passive Interior Escutcheon Plate](#)
5. [Escutcheon Plate Bolts](#)
6. [AP/PA Strike Plate \(Not Needed on outswing doors\)](#)
7. [Interior Nylon Bushing](#)
8. [Exterior Nylon Bushing](#)
9. [Trim Set Gasket](#)
10. [Spindle](#)

Covington™ Hardware for Hinged Doors - Double Trim Set

Hardware

Complete Trim Set - Covington / Interior and Exterior See Illustration page 82 and page 83			
	Finish	Single	Double AP/PA
	Antique Brass	2578937	2578938
	Bright Brass	2578935	2578936
	Oil Rubbed Bronze	2578941	2578942

Trim Set - Covington / Interior See Illustration page 65				
	Finish	Single		Double AP/PA
		Left	Right	Order No.
	Antique Brass	N/A	N/A	N/A
	Bright Brass	NA	NA	N/A
	Oil Rubbed Bronze	NA	NA	N/A

Trim Set - Covington / Exterior See Illustration page 66				
	Finish	Single		Double AP/PA
		Left	Right	Order No.
	Antique Brass	N/A	N/A	N/A
	Bright Brass	NA	N/A	N/A
	Oil Rubbed Bronze	N/A	N/A	N/A

Handle with Screws - Covington Ref. No. 1 and 2 page 82 and page 83			
	Finish	Left	Right
	Antique Brass	2573733	N/A
	Bright Brass	2573735	2573736
	Oil Rubbed Bronze	N/A	N/A

Escutcheon Plate - Covington / Exterior Ref. No. 3 page 82 and page 83			
	Finish	Active	Passive
	Antique Brass	2573769	2573770
	Bright Brass	2573773	N/A
	Oil Rubbed Bronze	2573777	2573778

Escutcheon Plate - Covington / Interior Ref. No. 3 page 82 and page 83			
	Finish	Active	Passive
	Antique Brass	2573767	2573768
	Bright Brass	2573771	2573772
	Oil Rubbed Bronze	2573775	2573776

400 Series Frenchwood® Outswing Doors (1997 to 2016)

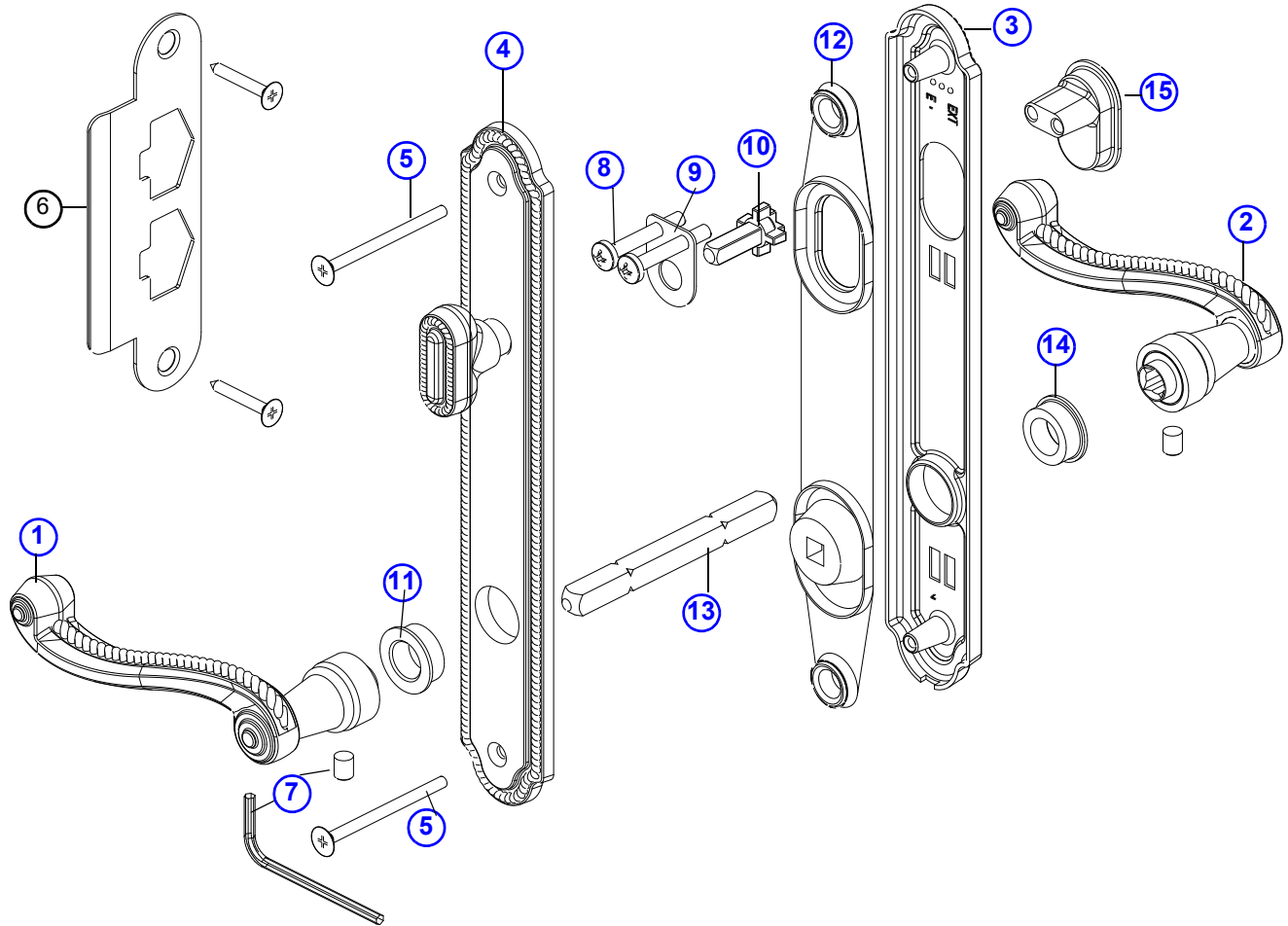
Single Panel, 2-Panel, and Stationary Panel

Hardware

Andersen® Hardware - Whitmore®

Note:

See [Accessory Guide 0005156](#).



- | | | |
|---|--|--|
| 1. Interior Handle (LH Shown) | 6. Strike Plate (Not Needed on outswing doors) | 11. Interior Nylon Bushing |
| 2. Exterior Handle (RH Shown) | | 12. Trim Set Gasket |
| 3. Active Exterior Escutcheon Plate | 7. Handle Set Screw (Package) | 13. Spindle |
| 4. Active Interior Escutcheon Plate | 8. Key Cylinder Mounting Bolts | 14. Exterior Nylon Bushing |
| 5. Escutcheon Plate Bolts | 9. Lock Limiting Plate | 15. Dummy Cylinder |
| | 10. Lock Actuator | |

Whitmore® Hinged Patio Door Hardware - Single Trim Set

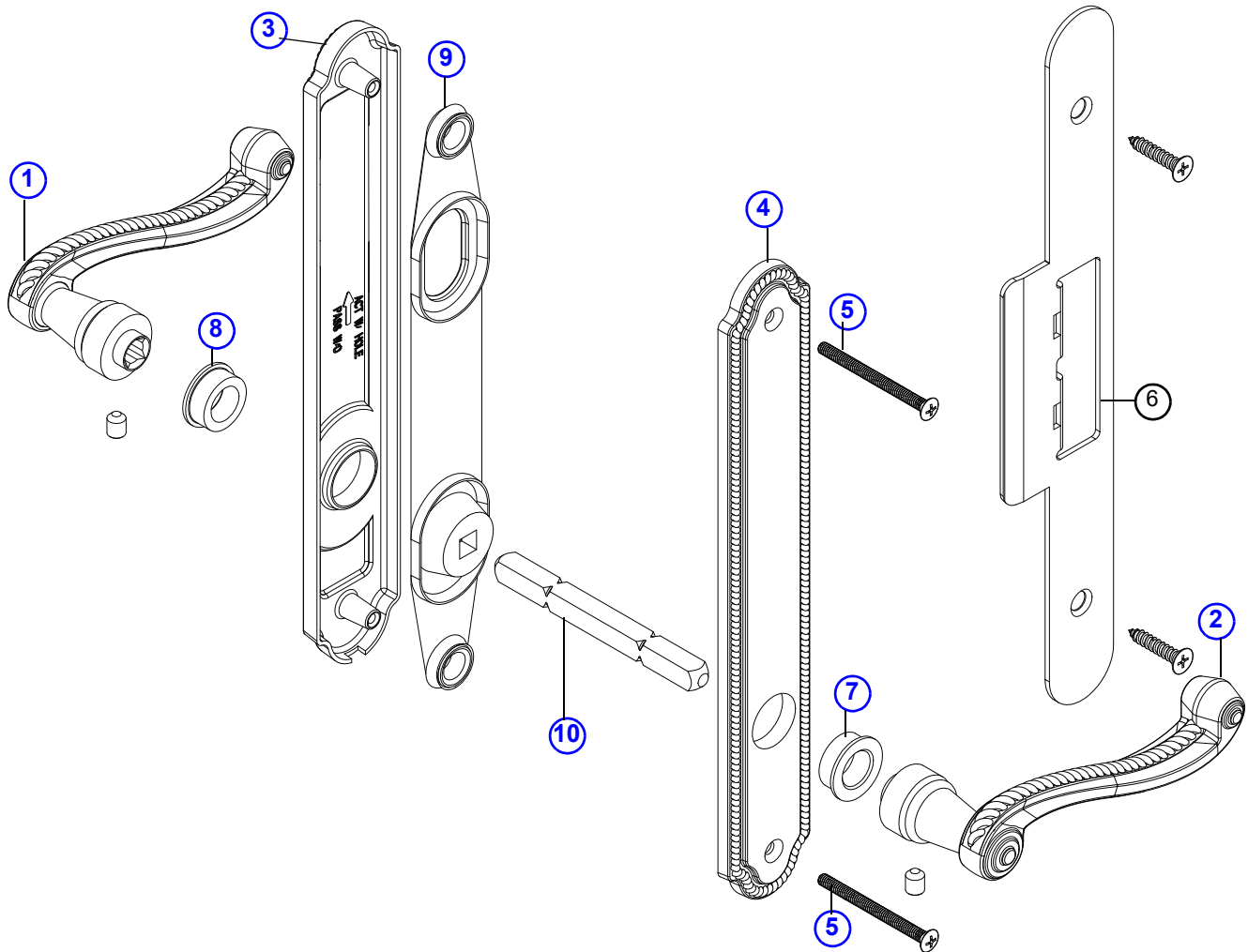
Hardware

Whitmore® Hardware - Passive Hardware Illustration

Note:

See [Accessory Guide 0004286](#).

Note: Additional parts with Double Hardware Set



- | | |
|--|--|
| 1. Exterior Handle (LH Shown) | 6. AP/PA Strike Plate (Not Needed on outswing doors) |
| 2. Interior Handle (RH Shown) | 7. Interior Nylon Bushing |
| 3. Passive Exterior Escutcheon Plate | 8. Exterior Nylon Bushing |
| 4. Passive Interior Escutcheon Plate | 9. Trim Set Gasket |
| 5. Escutcheon Plate Bolts | 10. Spindle |

Whitmore® Hinged Patio Door Hardware - Double Trim Set

400 Series Frenchwood® Outswing Doors (1997 to 2016)

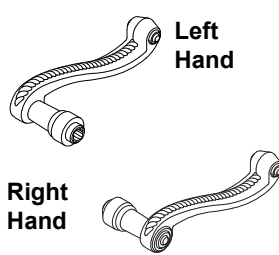
Single Panel, 2-Panel, and Stationary Panel

Hardware

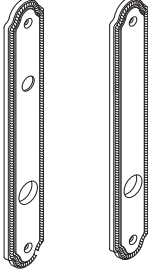
Complete Trim Set - Whitmore® / Interior and Exterior See Illustration page 85 and page 86			
	Finish	Single	Double AP/PA
	Antique Brass	2578923	2578924
	Bright Brass	2578919	2578920
	Oil Rubbed Bronze	2578925	2578926
	Satin Nickel	2578921	2578922

Trim Set - Whitmore® / Interior See Illustration page 65				
	Finish	Single		Double AP/PA
		Left	Right	Order No.
	Antique Brass	N/A	N/A	N/A
	Bright Brass	N/A	NA	N/A
	Oil Rubbed Bronze	N/A	N/A	N/A
	Satin Nickel	N/A	N/A	NA

Trim Set - Whitmore® / Exterior See Illustration page 66				
	Finish	Single		Double AP/PA
		Left	Right	Order No.
	Antique Brass	N/A	N/A	N/A
	Bright Brass	N/A	N/A	N/A
	Oil Rubbed Bronze	N/A	N/A	N/A
	Satin Nickel	N/A	N/A	NA

Handle with Screws - Whitmore® Ref. No. 1 and 2 page 85 and page 86			
 <p>Left Hand</p> <p>Right Hand</p>	Finish	Left	Right
	Antique Brass	2573725	2573726
	Bright Brass	2573727	2573728
	Oil Rubbed Bronze	2573729	2573730
	Satin Nickel	2573731	2573732

Hardware

Escutcheon Plate - Whitmore® / Exterior Ref. No. 3 page 85 and page 86				
		Finish	Active	Passive
		Antique Brass	2573753	2573754
		Bright Brass	2573757	N/A
		Oil Rubbed Bronze	2573761	2573762
		Satin Nickel	2573765	N/A

Escutcheon Plate - Whitmore® / Interior Ref. No. 3 page 85 and page 86				
		Finish	Active	Passive
		Antique Brass	2573751	2573752
		Bright Brass	2573755	2573756
		Oil Rubbed Bronze	2573759	2573760
		Satin Nickel	2573763	2573764

400 Series Frenchwood® Outswing Doors (1997 to 2016)

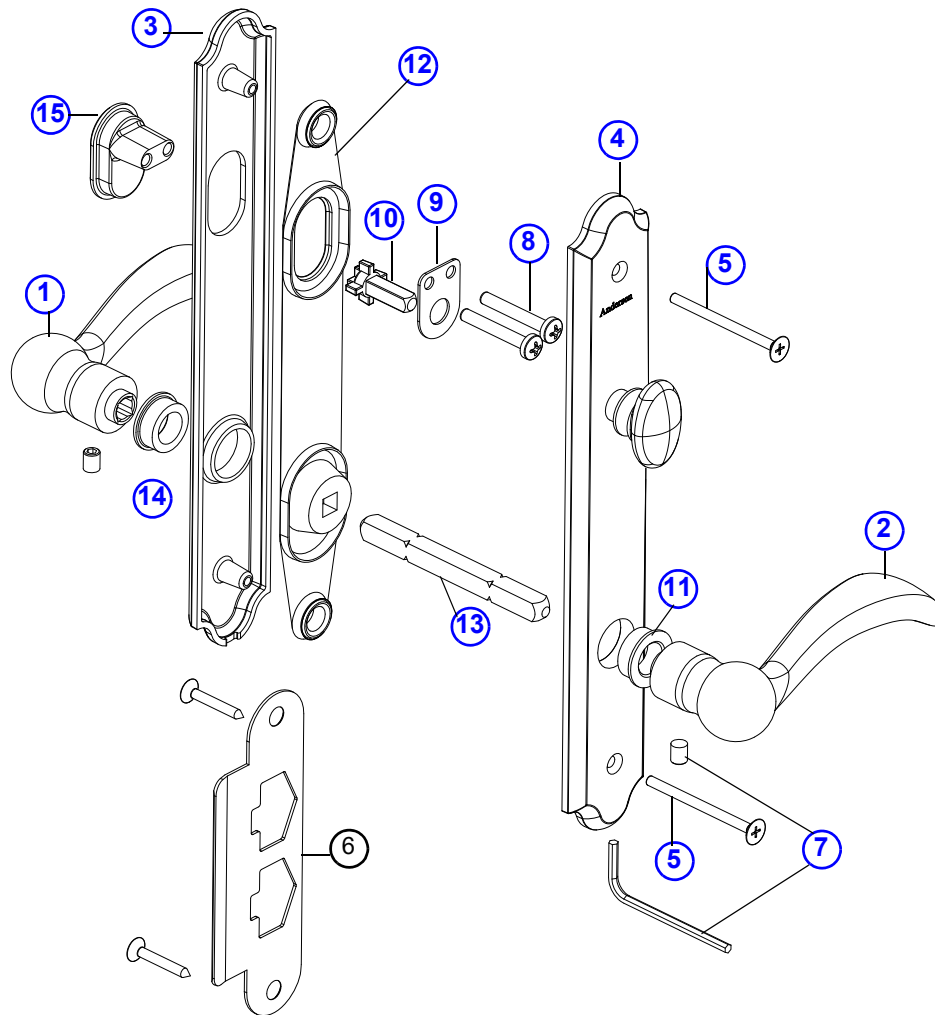
Single Panel, 2-Panel, and Stationary Panel

Hardware

Andersen® Hardware - Encino®

Note:

See [Accessory Guide 0005156](#).



- | | | |
|---|--|--|
| 1. Exterior Handle (LH Shown) | 6. Strike Plate (Not Needed on outswing doors) | 11. Interior Nylon Bushing |
| 2. Interior Handle (RH Shown) | 7. Handle Set Screw (Package) | 12. Trim Set Gasket |
| 3. Active Exterior Escutcheon Plate | 8. Key Cylinder Mounting Bolts | 13. Spindle |
| 4. Active Interior Escutcheon Plate | 9. Lock Limiting Plate | 14. Exterior Nylon Bushing |
| 5. Escutcheon Plate Bolts | 10. Lock Actuator | 15. Dummy Cylinder |

Encino® Hinged Patio Door Hardware - Single Trim Set

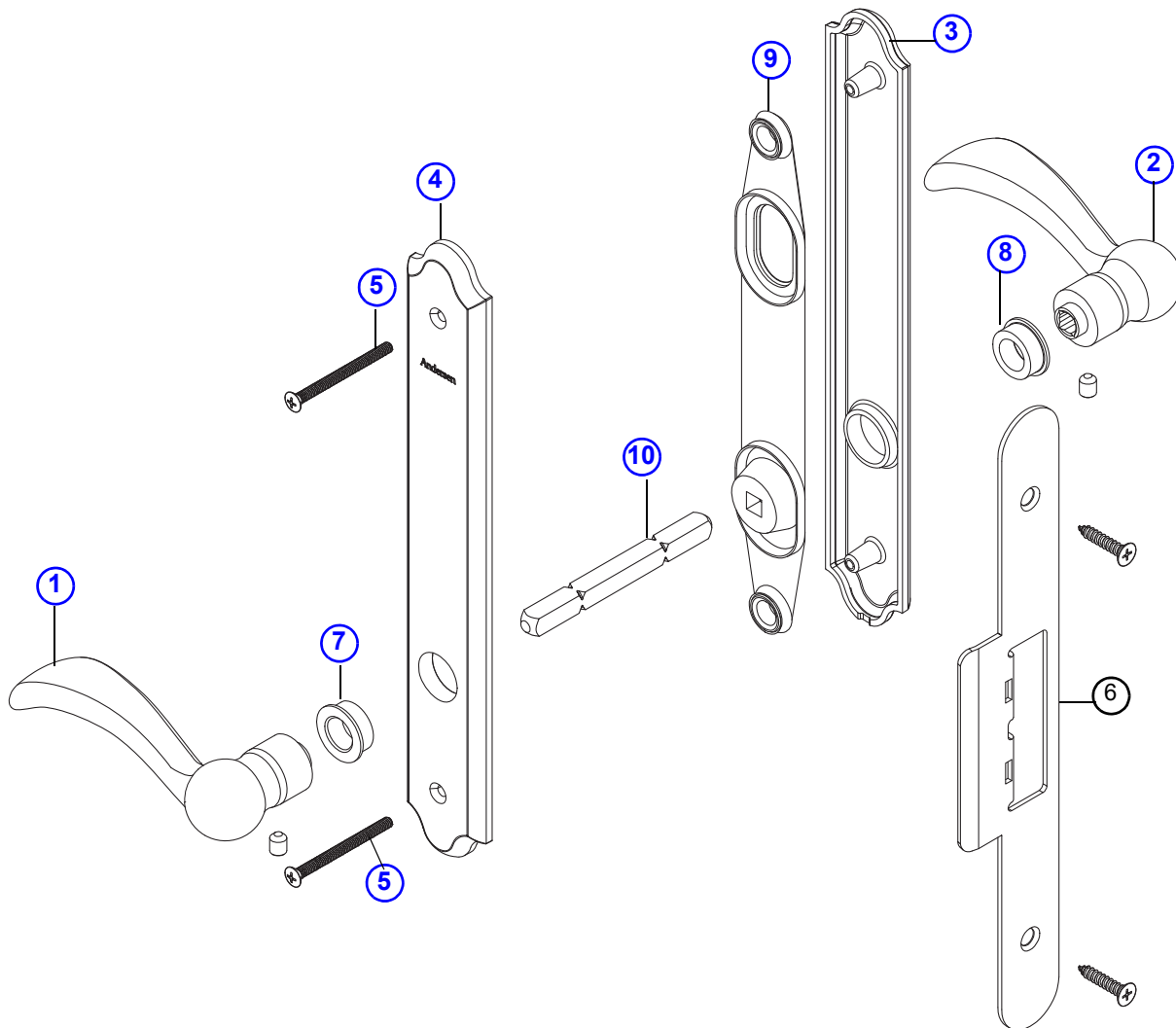
Hardware

Encino® Hardware - Passive Hardware Illustration

Note:

See [Accessory Guide 0004286](#).

Note: Additional parts with Double Hardware Set



- | | |
|--|--|
| 1. Exterior Handle (LH Shown) | 6. AP/PA Strike Plate (Not Needed on outswing doors) |
| 2. Interior Handle (RH Shown) | 7. Interior Nylon Bushing |
| 3. Passive Exterior Escutcheon Plate | 8. Exterior Nylon Bushing |
| 4. Passive Interior Escutcheon Plate | 9. Trim Set Gasket |
| 5. Escutcheon Plate Bolts | 10. Spindle |

Encino® Hinged Patio Door Hardware - Double Trim Set

400 Series Frenchwood® Outswing Doors (1997 to 2016)

Single Panel, 2-Panel, and Stationary Panel

Hardware

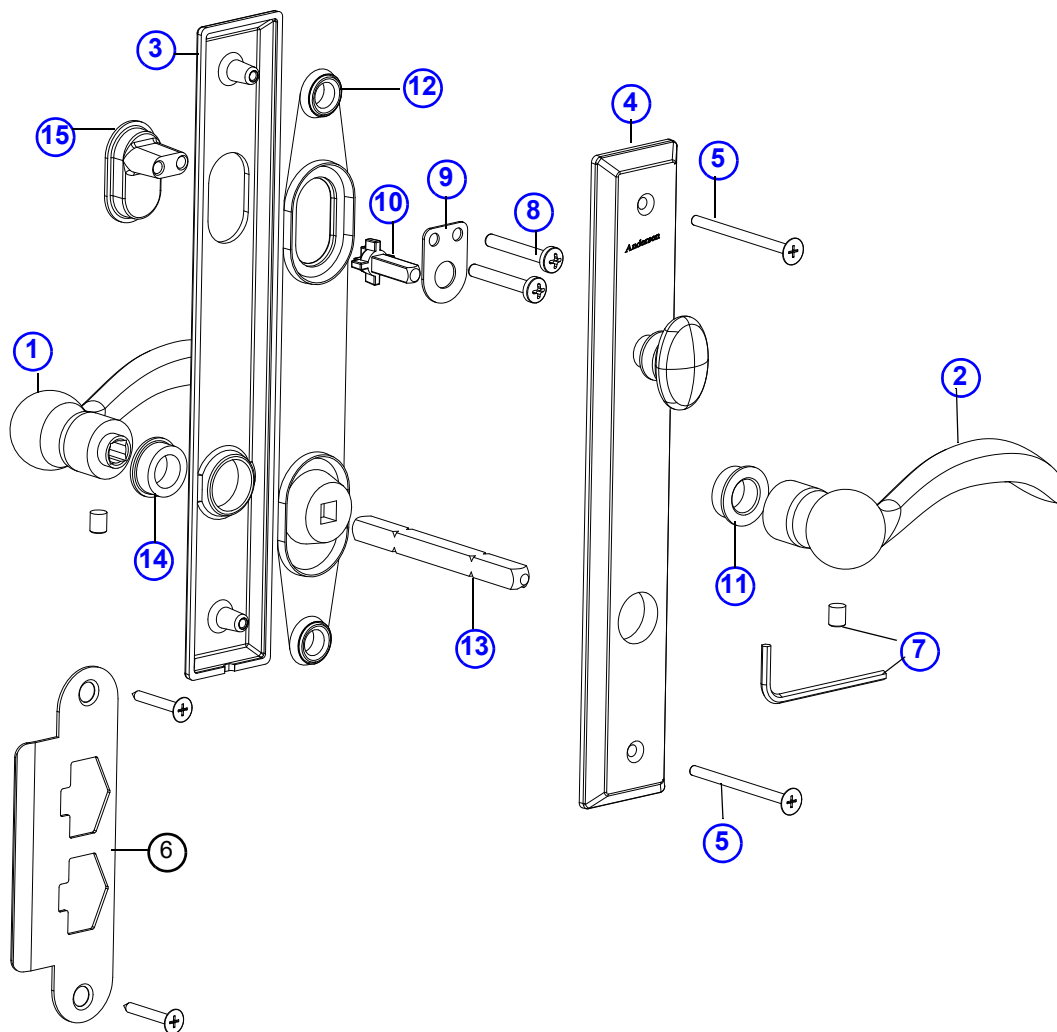
Complete Trim Set - Encino® / Interior and Exterior See Illustration page 89 and page 90				
	Finish	Single		Double AP/PA
	Distressed Bronze	2578927		2578928
	Distressed Nickel	2578929		2578930
Trim Set - Encino® / Interior See Illustration page 65				
	Finish	Single		Double AP/PA
		Left	Right	Order No.
	Distressed Bronze	2572696	2572789	2572697
Distressed Nickel	2572701	2572791	2572702	
Trim Set - Encino® / Exterior See Illustration page 66				
	Finish	Single		Double AP/PA
		Left	Right	Order No.
	Distressed Bronze	2572652	2572767	2572653
Distressed Nickel	2572656	2572769	2572657	
Handle with Screws - Encino® Ref. No. 1 and 2 page 89 and page 90				
	Finish	Left	Right	
	Distressed Bronze	2573789	2573790	
	Distressed Nickel	2573791	2573792	
Escutcheon Plate - Encino® / Exterior No. 3 and 4 page 89 and page 90				
	Finish	Active	Passive	
	Distressed Bronze	2573804	2573805	
	Distressed Nickel	2573808	2573809	
Escutcheon Plate - Encino® / Interior No. 3 and 4 page 89 and page 90				
	Finish	Active	Passive	
	Distressed Bronze	2573802	2573803	
	Distressed Nickel	2573806	2573807	

Hardware

Andersen® Hardware - Yuma®

Note:

See [Accessory Guide 0005156](#).



- | | | |
|---|--|--|
| 1. Exterior Handle (LH Shown) | 6. Strike Plate (Not Needed on outswing doors) | 11. Interior Nylon Bushing |
| 2. Interior Handle (RH Shown) | 7. Handle Set Screw (Package) | 12. Trim Set Gasket |
| 3. Active Exterior Escutcheon Plate | 8. Key Cylinder Mounting Bolts | 13. Spindle |
| 4. Active Interior Escutcheon Plate | 9. Lock Limiting Plate | 14. Exterior Nylon Bushing |
| 5. Escutcheon Plate Bolts | 10. Lock Actuator | 15. Dummy Cylinder |

Yuma® Hinged Patio Door Hardware - Single Trim Set

400 Series Frenchwood® Outswing Doors (1997 to 2016)

Single Panel, 2-Panel, and Stationary Panel

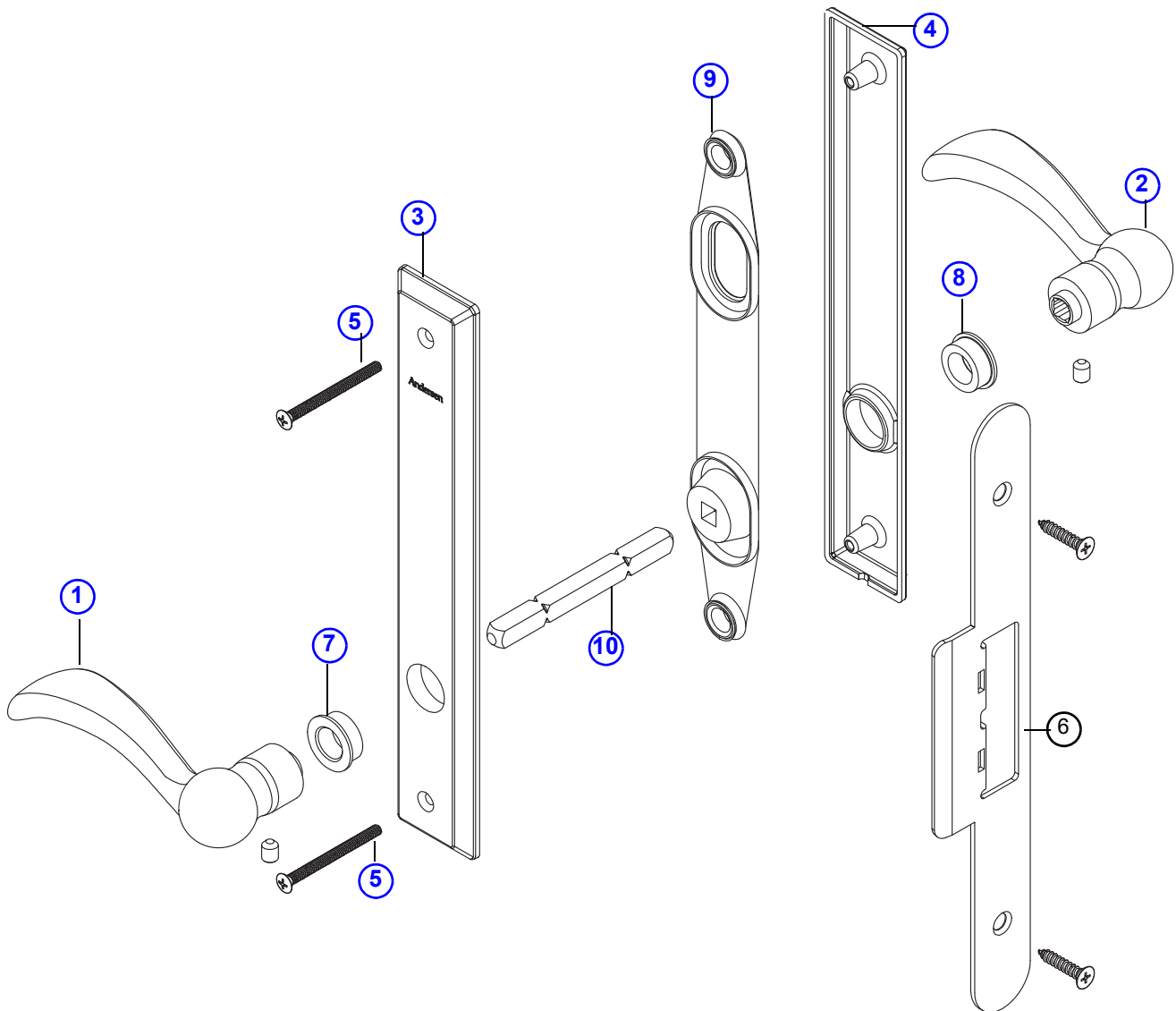
Hardware

Yuma® Hardware - Passive Hardware Illustration

Note:

See [Accessory Guide 0004286](#).

Note: Additional parts with Double Hardware Set



- | | |
|--|--|
| 1. Exterior Handle (LH Shown) | 6. AP/PA Strike Plate (Not Needed on outswing doors) |
| 2. Interior Handle (RH Shown) | 7. Interior Nylon Bushing |
| 3. Passive Exterior Escutcheon Plate | 8. Exterior Nylon Bushing |
| 4. Passive Interior Escutcheon Plate | 9. Trim Set Gasket |
| 5. Escutcheon Plate Bolts | 10. Spindle |

Yuma® Hinged Patio Door Hardware - Double Trim Set

Hardware

Complete Trim Set - Yuma® / Interior and Exterior See Illustration page 92 and page 93				
	Finish	Single		Double AP/PA
	Distressed Bronze	2578931		2578932
	Distressed Nickel	2578933		2578934
Trim Set - Yuma® / Interior See Illustration page 65				
	Finish	Single		Double AP/PA
		Left	Right	Order No.
	Distressed Bronze	2572698	2572790	2572699
Distressed Nickel	2572703	2572792	2572705	
Trim Set - Yuma® / Exterior See Illustration page 66				
	Finish	Single		Double AP/PA
		Left	Right	Order No.
	Distressed Bronze	2572654	2572768	2572655
Distressed Nickel	2572658	2572770	2572659	
Handle with Screws - Yuma® Ref. No. 1 and 2 page 92 and page 93				
	Finish	Left	Right	
	Distressed Bronze	2573789	2573790	
	Distressed Nickel	2573791	2573792	
Escutcheon Plate - Yuma® / Exterior Ref. No. 3 and 4 page 92 and page 93				
	Finish	Active	Passive	
	Distressed Bronze	2573812	2573813	
	Distressed Nickel	2573816	2573817	
Escutcheon Plate - Yuma® / Interior Ref. No. 3 and 4 page 92 and page 93				
	Finish	Active	Passive	
	Distressed Bronze	2573810	2573811	
	Distressed Nickel	2573814	2573815	

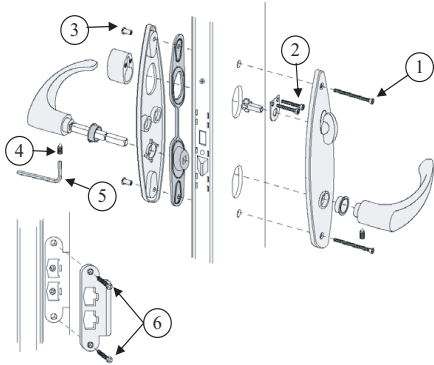
400 Series Frenchwood® Outswing Doors (1997 to 2016)

Single Panel, 2-Panel, and Stationary Panel

Hardware

Andersen® Shared Trim Set Parts

Screw Package - Trim Set / Tribeca®



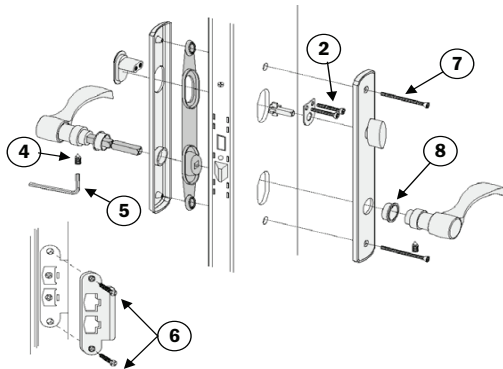
Ref. No.	Package Includes
1	2 - screw, #8 - 32 x 2 PH OH MS YZP
2	2 - screw, 5mm x 35 PH Pan MS YXP
6	2 - screw, #10 x 1" PH FH S/M/S
4	2 - screw, 1/4 - 20 UNC SS knurled cup point set
5	1 - 1/8 allen wrench

Note:

Bushings not included in Tribeca® Screw Packages, if needed order the screw package below. Threaded stud shown as #3 not included with this kit. See escutcheon plate bolt with stud [page 71](#)

Finish	Order No.
Stone	2579767
White	2579766

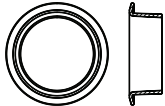
Screw Package - Trim Set / Other Hardware Styles (1995 to Present)

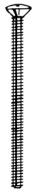


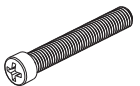
Ref. No.	Package Includes
6	2 - screw, #10 - 13 x 1" PH FL undercut wood
7	4 - screw, #8 - 32 UNC x 2 PH oval head mach
2	2 - screw, M5 x .8 - 35mm PH w/#10 fill HD mach zinc
8	4 - bushing, trim adaptor
4	4 - screw, 1/4 - 20 UNC SS knurled cup point set
5	1 - 1/8 allen wrench

Hardware

<p>Note: Chrome used for Brushed Chrome and Polished Chrome finishes. To receive a white bushing order a Satin Nickel trim set screw pack. To receive a black bushing order an Oil Rubbed Bronze trim set screw pack. Oil Rubbed Bronze introduced in 2001. Satin Nickel introduced in 2003. Distressed Bronze and Distressed Nickel introduced in 2004. Albany style introduced in 2009.</p>	Finish	Order No.
	Stone (Albany, Tribeca®)	9056230
	White (Albany, Tribeca®)	9056231
	Antique Brass	2579757
	Bright Brass	2579756
	Chrome	N/A
	Satin Nickel	2579390
	Distressed Nickel	2573819
	Oil Rubbed Bronze	2579760
	Distressed Bronze	2573819
	Gold Dust (Albany)	N/A
	Black (Albany)	9019320

Bushings			
	<p>Note: Tribeca® handles have unique bushing page 71.</p> <p>White and black bushings available as part of the trim set screw package page 95. White to use Bright Chrome trim set screw pack and black to use Oil Rubbed Bronze trim set screw pack.</p> <p>Replace the old style gold bushing used prior to 1999 with clear bushing page 71.</p>	Color	Order No.
		White	N/A
		Black	N/A

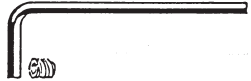
Bolt - Escutcheon Plate			
	Description	Finish	Order No.
	Qty 2 - #8-32 UNC x 2 panhead oval	Stone (with stud)	2579855
	<p>Note: Distressed Bronze uses Oil Rubbed Bronze.</p> <p>Escutcheon plate bolt ships as part of the trim set screw package, page 95</p>	White (with stud)	2579842
		Antique Brass	N/A
		Bright Brass	N/A
		Polished Chrome	N/A
		Brushed Chrome	N/A
		Satin Nickel	N/A
		Oil Rubbed Bronze	N/A
		Distressed Bronze	N/A
		Distressed Nickel	N/A


Key Cylinder Mounting Bolt		
	Description	Order No.
	Qty 2 - M5 x .8-35mm, PH with #10 fill HD, mach, zinc Note: Key cylinder mounting bolt is included in trim set hardware pack page 95 .	2579824

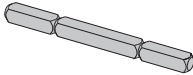
400 Series Frenchwood® Outswing Doors (1997 to 2016)


Single Panel, 2-Panel, and Stationary Panel


Hardware

Set Screw Package - Handle (All styles) (1999 to 2016)		
	Package includes: 4 - 1/4-20 UNC knurled cup point set screws 1 - 1/8 Allen wrench Note: Replacement set screw finish may not match original. Set Screw Package is included in trim set hardware pack page 95 . Vintage set screw packages available in Service Replacement section page 146	Order No.
		2579829

Gasket - Trim Set / Other Hardware Styles		
	Note: Use for all trim set styles except Tribeca®.	Order No.
		2962512

Spindle			
	Note: The standard spindle is 3 3/4". The 4 3/4" spindle is used with one handle extender. The 5 3/4" spindle is used with two handle extenders.	Length	Order No.
		3 3/4	2579830
		4 3/4	2579831
		5 3/4	2579832

Lock Limiting Plate with Tab		
		Order No.
		2579540

Lock Actuator		
Note: See Lock Actuator Replacement Video .		
		Order No.
		2579542

Hardware

Lock Mechanisms / Current

Note:

Lock mechanisms for custom sized doors are made to order. Product ID label is located on top edge of operating panel. See [Service Guide 0005233](#). See [Service Guide 0005204](#) to change handing. See [Latch Handing Video](#).

To order, state:

1. Description of part (Lock Mechanism, Active or Passive)
2. Quantity
3. Product ID (from product label, see [Service Guide 9051877](#))

Lock Mechanism - 3 Point / Stainless Steel / Active (March 2003 to 2016)

Note:

See [Service Guide 0005233](#). See [Service Guide 0005204](#) to change handing. See [Latch Handing Video](#).



Note:

- Stainless steel active lock mechanism replaces all previous vintage active lock mechanisms
- If **existing** lock has a label the graphics and text will be black
- **"Custom" length (68 1/2, 69 1/2 and 610) part numbers introduced in February 2022.



Unit No.	Order No.
FWH68	2579771
*FWH68 1/2	9192841
*FWH69 1/2	9192840
*FWH69 3/4	9192842
*FWH610	9192839
FWH611	2579772
FWH76	2578189
FWH80	2579773

Lock Mechanism Screw - Stainless Steel

	Description	Order No.
	8-18 x 2" TYPE AB	2579415
	Note: 68 and 611 doors use 13 screws; 80 doors use 14 screws.	

400 Series Frenchwood® Outswing Doors (1997 to 2016)

Single Panel, 2-Panel, and Stationary Panel

Hardware

Lock Mechanism - Stainless Steel / Passive (March 2003 to 2016)

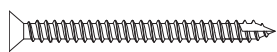


Note:

- Replace a stainless steel passive lock with a stainless steel passive replacement lock.
- Zinc dichromate lock no longer available; use stainless steel lock kit [page 99](#) as replacement.
- **“Custom” length (69 1/2, 69 3/4 and 610) part numbers introduced in February 2022.

Unit No.	Type	Order No.
FWH68	AP/PA	2579777
*FWH69 1/2	AP/PA	9192837
*FWH69 3/4	AP/PA	9192838
*FWH610	AP/PA	9192839
FWH611	AP/PA	2579778
FWH76	AP/PA	2578191
FWH80	AP/PA	2579779

Lock Mechanism Screw - Stainless Steel



Description	Order No.
8-18 x 2" TYPE AB	2579415
Note: 68 and 611 doors use 13 screws; 80 doors use 14 screws.	

Lock Mechanism - Passive / Zinc Dichromate (1993 to March 2003)

Note:

The zinc dichromate (gold finish appearance) passive lock is no longer available. Replace with stainless steel lock kit.

- 68 AP/PA [2573472](#)
- 611 AP/PA [2573473](#)
- 80 AP/PA [2573474](#)

Unit No.	Type	Order No.
FWH68	AP/PA	N/A
FWH611	AP/PA	N/A
FWH80	AP/PA	N/A

Hardware

Lock Mechanism - Replacement Kit / Passive (1993 to March 2003)



Note:

The zinc dichromate (gold finish appearance) passive lock is no longer available. Upgrade with stainless steel lock kit.

The kit requires [Service Guide 0005516](#).

Kit includes:

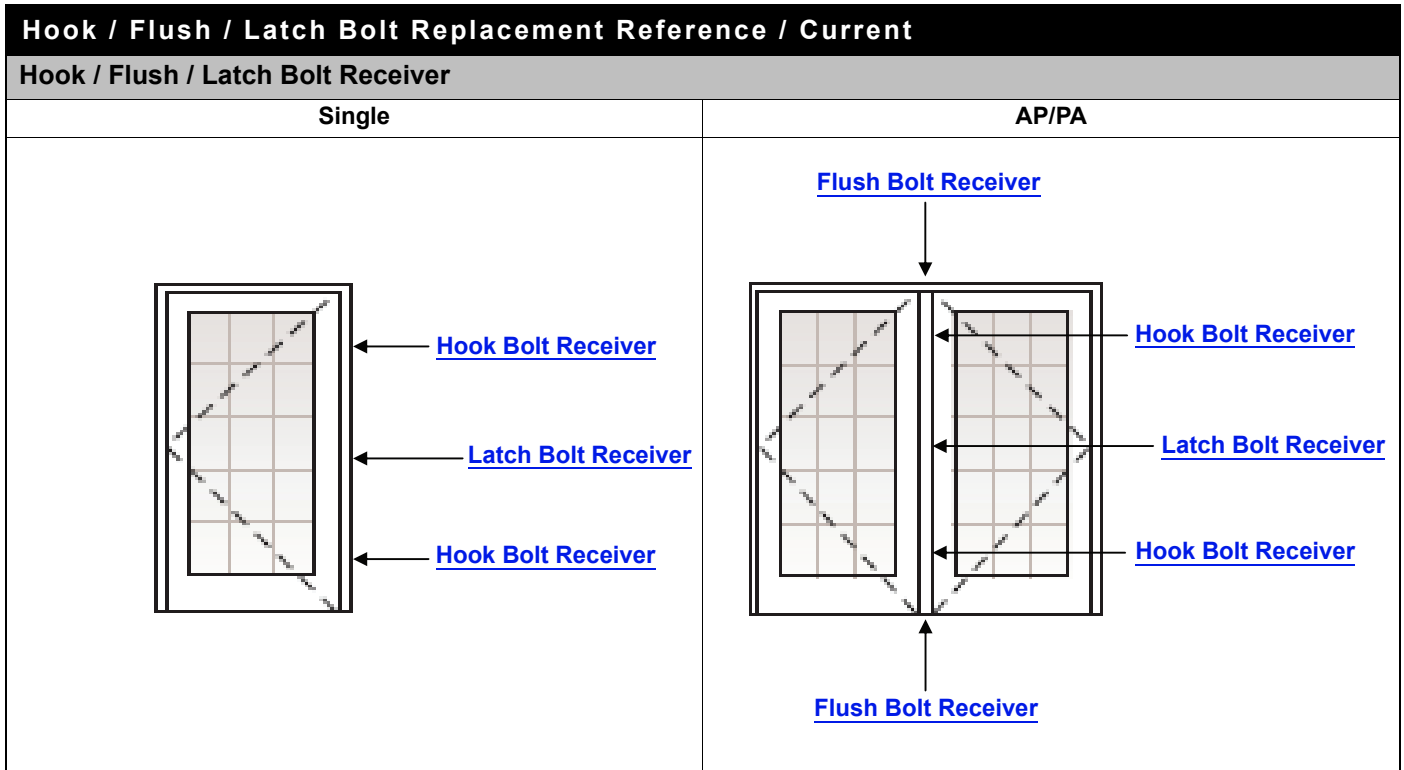
- 1 - Service Guide
- 1 - Stainless steel passive lock mechanism
- 2 - Hook bolt receiver
- 2 - Flush bolt receiver
- 1 - Latch receiver blocker

Unit No.	Type	Order No.
FWH68	AP/PA	2573472
FWH611	AP/PA	2573473
FWH80	AP/PA	2573474

400 Series Frenchwood® Outswing Doors (1997 to 2016)

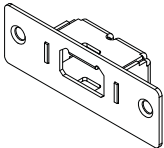

Single Panel, 2-Panel, and Stationary Panel

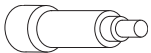
Hardware





Hardware

Hook Bolt Parts / Current

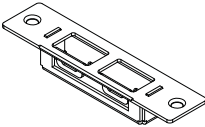
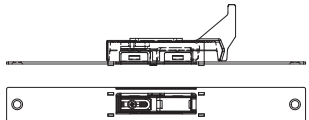
Hook Bolt Receiver (March 2003 to 2016) Ref. page 101		
<p>Note: Use with stainless steel lock mechanism. Single fasteners, page 99. AP/PA fasteners, page 33.</p> <p>Hook bolt parts prior to March 2003 are available in the service only section page 147.</p>		
	Single	AP/PA
	2579790	2579764

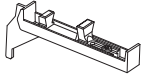
Hook Bolt Blocker		Order No.
	<p>Note: Use with stainless steel lock mechanism. Used on AP/PA units.</p>	2579786

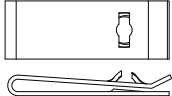
Flush Bolt Parts / Current

Flush Bolt Receiver Ref. page 101		
<p>Note: Use with stainless steel lock mechanism. Fasteners, page 99.</p> <p>Flush bolt parts prior to March 2003 are available in the service only section page 148.</p>		
	Head AP/Sill PA	Head PA/Sill AP
	2579788	2579789

Latch Bolt Parts / Current

Latch Bolt Receiver Ref. page 101		
<p>Note: Use with stainless steel lock mechanism. Single fasteners, page 99. AP/PA fasteners, page 33.</p> <p>Previous vintage single latch bolt receivers are available in the service only section page 148.</p>		
	Single	AP/PA w/Blocker
	2579791	2579787

Latch Blocker		Order No.
	<p>Note: Previous vintage blockers are available in the service only section page 148. See blocker insert.</p>	2579402

U Clip (March 2003 to 2016)		
	<p>Note: Use with stainless steel lock mechanism. Used on AP/PA latch bolt receiver.</p>	Order No. 2579427

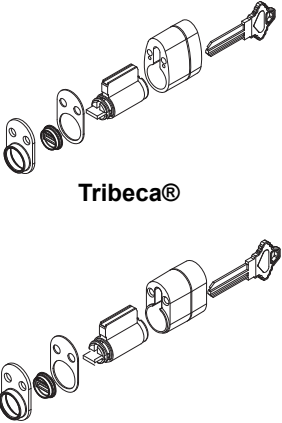
400 Series Frenchwood® Outswing Doors (1997 to 2016)

Single Panel, 2-Panel, and Stationary Panel

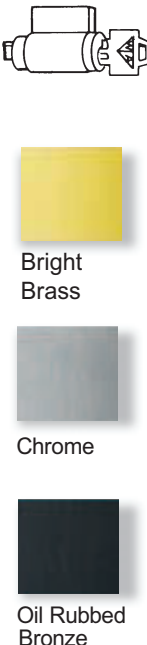
Hardware

Key Lock Parts / Current

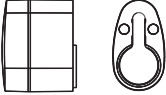
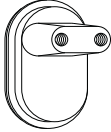
Exterior Keyed Lock Assembly

 <p>Tribeca®</p> <p>All Other Styles</p>	<p>Note: Parts included: lock spacer, tail piece seal, spacer gasket, seal, key cylinder, housing, and key. Keyed alike assembly only available in quantities of two or more. See Accessory Guide 0005155.</p>	Finish	Keyed Assembly	Keyed Alike Assembly
		Stone (Tribeca®)	2579722	9056143
		Stone (Albany)	9007621	9056142
		White (Tribeca®)	2579721	9056145
		White (Albany)	9007620	9056144
		Antique Brass	2579519	9056133
		Bright Brass	2579499	9056135
		Polished Chrome	2579596	9056140
		Brushed Chrome	2579753	9056136
		Satin Nickel	2579457	9056141
		Oil Rubbed Bronze/ Distressed Bronze	2579752	9056139
		Distressed Nickel	2573827	9056137
		Gold Dust	N/A	9056138
		Black	9007623	9056134

Lock Cylinder with Keys

 <p>Bright Brass</p> <p>Chrome</p> <p>Oil Rubbed Bronze</p>	<p>Note: Lock cylinders are available in three finishes: Bright Brass, Chrome and Oil Rubbed Bronze. The table to the right shows the recommended selection for each trim set finish. Lock cylinders with keys “keyed alike” are available to order at an additional cost.</p>	Finish	Order No.
		Stone (Tribeca®)	2579641
		Stone (Albany)	2579641
		White (Tribeca®)	2579641
		White (Albany)	2579641
		Antique Brass	2579637
		Bright Brass	2579637
		Polished Chrome	2579641
		Brushed Chrome	2579641
		Satin Nickel	2579641
		Oil Rubbed Bronze	2579389
		Distressed Bronze	2579389
		Distressed Nickel	2579641
		Gold Dust	2579641
Black	2579389		

Hardware

Lock Set Dummy Cylinder																																				
 <p>Tribeca®</p>  <p>All Other Styles</p>	<p>Note: Old style and current vintage cylinders are interchangeable.</p> <p>* 060 Antique Brass finish was offered for sale from 1/99 to 7/99. The finish is commonly referred to as "chocolate brown."</p>	<table border="1"> <thead> <tr> <th>Finish</th> <th>Order No.</th> </tr> </thead> <tbody> <tr> <td>Stone (Tribeca®)</td> <td>2579860</td> </tr> <tr> <td>Stone (Albany)</td> <td>9056226</td> </tr> <tr> <td>White (Tribeca®)</td> <td>2579847</td> </tr> <tr> <td>White (Albany)</td> <td>9056227</td> </tr> <tr> <td>Antique Brass</td> <td>2579581</td> </tr> <tr> <td>*060 Antique Brass</td> <td>2579741</td> </tr> <tr> <td>Bright Brass</td> <td>2579621</td> </tr> <tr> <td>Bright Brass</td> <td>2579621</td> </tr> <tr> <td>Polished Chrome</td> <td>2579582</td> </tr> <tr> <td>Brushed Chrome</td> <td>N/A</td> </tr> <tr> <td>Satin Nickel</td> <td>2579438</td> </tr> <tr> <td>Oil Rubbed Bronze</td> <td>2579963</td> </tr> <tr> <td>Distressed Bronze</td> <td>2573781</td> </tr> <tr> <td>Distressed Nickel</td> <td>2573782</td> </tr> <tr> <td>Gold Dust</td> <td>9056228</td> </tr> <tr> <td>Black</td> <td>9056229</td> </tr> </tbody> </table>	Finish	Order No.	Stone (Tribeca®)	2579860	Stone (Albany)	9056226	White (Tribeca®)	2579847	White (Albany)	9056227	Antique Brass	2579581	*060 Antique Brass	2579741	Bright Brass	2579621	Bright Brass	2579621	Polished Chrome	2579582	Brushed Chrome	N/A	Satin Nickel	2579438	Oil Rubbed Bronze	2579963	Distressed Bronze	2573781	Distressed Nickel	2573782	Gold Dust	9056228	Black	9056229
		Finish	Order No.																																	
		Stone (Tribeca®)	2579860																																	
		Stone (Albany)	9056226																																	
		White (Tribeca®)	2579847																																	
		White (Albany)	9056227																																	
		Antique Brass	2579581																																	
		*060 Antique Brass	2579741																																	
		Bright Brass	2579621																																	
		Bright Brass	2579621																																	
		Polished Chrome	2579582																																	
		Brushed Chrome	N/A																																	
		Satin Nickel	2579438																																	
		Oil Rubbed Bronze	2579963																																	
Distressed Bronze	2573781																																			
Distressed Nickel	2573782																																			
Gold Dust	9056228																																			
Black	9056229																																			

Blank Reachout Lock Key		
 <p>parts.andersenwindows.com</p>	<p>Note:</p>	<p>Order No.</p>
		<p>2573561</p>

400 Series Frenchwood® Outswing Doors (1997 to 2016)

Single Panel, 2-Panel, and Stationary Panel

Hardware

Hinge Parts / Current


Note:

The hinge receiver is not replaceable. To replace receiver, replace the entire panel. [Service Guide 0005226](#).


Leaf Hinge - Adjustable

Note:

Upgrade finishes available in A Series Outswing hinge parts section.


	<p>Note: Hinge leaf screws not included with hinge leaf shown below.</p>	Color	Left	Right
		White	2573336	2573335
		Terratone	2668526	2668525
		Sandtone	0924518	0924517
		Forest Green	1269103	1269102

Screw - Leaf Hinge

	Description	Color	Order No.
	10-24 x 1/2 PH flat 118 - 8SS	White	2573331
	<p>Note: Quantity of four used per hinge leaf.</p>	Terratone	2668524
		Sandtone	0924516
		Forest Green	1269056

 <p>Hinge Hole Plug</p>	Gray
	2579988

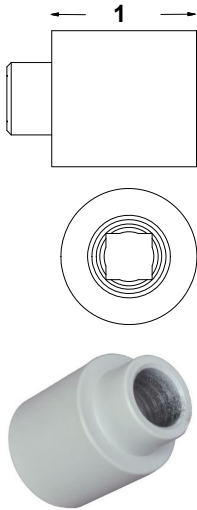
Hex Adjuster Wrench

	<p>Kit includes: Hex wrench, installation and hinge Service Guide 0005226.</p>	Order No.
		2579045

Hardware

Miscellaneous Hardware Parts

Handle Extender - 1"



Note:

Handle extenders are made for handles 1999 to 2016.
See [Installation Video](#).

Finish	Order No.
Stone (Tribeca®)	2579851
White (Tribeca®)	2579838
Antique Brass	2579820
Bright Brass	2579821
Polished Chrome	2579819
Brushed Chrome	2579908
Satin Nickel	2579440
Oil Rubbed Bronze	2579907
Distressed Bronze	2573787
Distressed Nickel	2573788
Gold Dust	N/A
Black	9007633

400 Series Frenchwood® Outswing Doors (1997 to 2016)

Single Panel, 2-Panel, and Stationary Panel

Hardware

Fasteners			
Note:			
Screw - Insect Screen / Latch to Astragal and Receiver Side Jambs / Stainless Steel			
	Size	Head	Order No.
	#8	Round head	-
Screw - Corner Lock / Head and Sill / Head Jamb Subassembly / Stainless Steel			
	Size	Head	Order No.
	#7	Flat head	-
Screw - Astragal to Sill and Center to Wood / Steel			
	Size	Head	Order No.
	#8	Pan head	-
Screw - Astragal to Head Jamb / Steel			
	Size	Head	Order No.
	#8	Flat head	-
Screw - Astragal Receiver			
	Size	Order No.	
	10-12 x 3 1/2		2573333
Screw - Frame Assembly / Stationary Panel Installation / Steel			
	Size	Head	Order No.
	#10	Flat head	1973113
Screw - Lock Hardware to Lock Stile / Steel			
	Size	Head	Order No.
	#8	Flat head	2579415
Screw - Astragal / Side Jambs, Head Jambs and Sill / Steel			
	Size	Head	Order No.
	#10	Flat head	-
Screw - Oak / Sill Step to Sill Core / Brass			
	Size	Head	Order No.
	8-15 x 1 1/2 TYP 17	Flat head	3621310
Screw - Watershed Bar to Panel / Stainless Steel			
	Size	Head	Order No.
	#6	Oval head	N/A
Screw - Hardware to Stiles and Astragal to Stationary Panel / Steel			
	Size	Head	Order No.
	#10	Flat head	-
Screw - SAS Units Hinge / Astragal to Stationary Panel / Steel			
	Size	Head	Order No.
	#10	Flat head	-
Screw - SAS Units Insect Screen / Bumper to Sill / Stainless Steel			
	Size	Head	Order No.
	#8	Flat head	-
Screw - SAS Units Insect Screen / Bumper to Head Jamb / Stainless Steel			
	Size	Head	Order No.
	#8	Flat head	-

Hardware

Screw - Astragal End Cap (AP/PA) / Stainless Steel			
	Size	Head	Order No.
	#6	Flat head	-
Screw - Astragal End to Passive Panel (AP/PA) / Zinc Dichromate			
	Size	Head	Order No.
	#10	Flat head	-
Screw - Operating Bottom Rail Filler / Steel			
	Size	Head	Order No.
	#8	Flat head	1361962
Screw - Sash Laminate Kit / Steel			
	Size	Head	Order No.
	#8	Flat head	-
Screw - Subassembly / Steel			
	Size	Head	Order No.
	#10	Flat head	-
Screw			
Note:	Description	Order No.	
Secures single hook bolt receiver page 102 , single latch bolt receiver page 102 and flush bolt receiver page 102 .	10-12 x 1 TYP 17 PH FL 18-8 SS	2579413	
Screw			
	Description	Order No.	
	10-12 x 3 TYP 17 PH FH	2579759	
Screw			
	Description	Order No.	
	8-15 x 1 1/2 TYP 17 PH FL 18-8 SS	2579418	

400 Series Frenchwood® Outswing Doors (1997 to 2016)

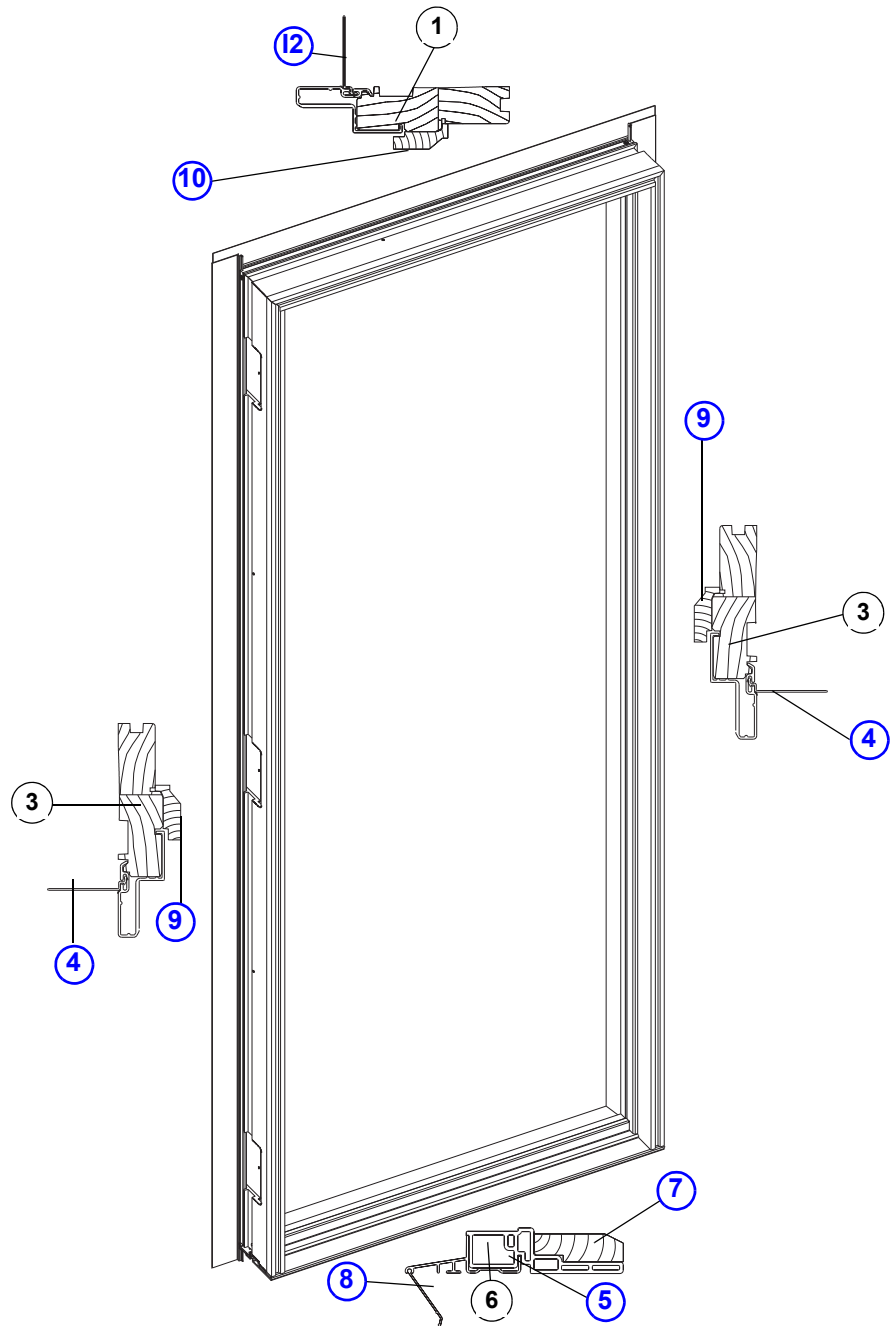
Single Panel, 2-Panel, and Stationary Panel

Frames

Frames Assembly

Note:

See [Product Details](#). Frame and head/side jambs N/A. Replacement option is A-Series FWOD unit.



1. Head Jamb
2. [Installation Flange, Head](#)
3. Side Jamb
4. [Installation Flange, Side](#)
5. [Sill](#)
6. Sill Drainage Channel
7. [Sill Step](#)
8. [Sill Support](#)
9. [Panel Stop, Sides](#)
10. [Panel Stop, Head](#)

Frenchwood Outswing Door Frame Assembly - Single Panel

Unit viewed from interior

Frames

Sill Components

Sill Step Ref. No. 7 [page 109](#)

Note:

Sits horizontally on interior edge of sill. Screw package must be ordered separately. See [Track filler](#) when customer has a retractable screen.

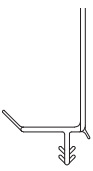
Unit No.	Dimensions	# of Screw Holes	Oak	Maple	Unit No.	Dimensions	# of Screw Holes	Oak	Maple
FWO21	22 ⁷ / ₁₆	3	2578288	9020353	FWO41AP/PA	45 ¹⁵ / ₁₆	5	2578289	9020354
FWO27	28 ¹ / ₁₆	3	2578621	9013815	FWO50AP/PA	57 ⁷ / ₃₂	6	2578630	9013820
FWO29	30 ¹ / ₁₆	4	2578623	9013816	FWO54AP/PA	61 ⁷ / ₃₂	6	2578632	9013821
FWO31	34 ¹ / ₁₆	4	2578625	9013817	FWO60AP/PA	69 ⁷ / ₃₂	6	2578633	9013822

Sill Step Screw Package

Description	Order No.
Qty 6 - #8 x 1 1/2 brass PH FL	9055480


Installation Flanges

Flange - Head



Unit No.	Length	Order No	Unit No.	Length	Gray
FWH21	27 ¹ / ₃₂	2578301	FWH50	61 ¹³ / ₁₆	2578308
FWH27	32 ²¹ / ₃₂	2578302	FWH54	65 ¹³ / ₁₆	2578310
FWH29	34 ²¹ / ₃₂	2578304	FWH60	73 ¹³ / ₁₆	2578312
FWH31	38 ²¹ / ₃₂	2578306	FWH80	97 ²³ / ₃₂	2578314
FWH41	50 ⁹ / ₁₆	2578307	FWH90	109 ²³ / ₃₂	2578318

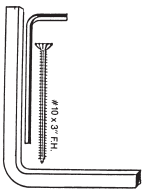
Flange - Side (Pair)



Unit No.	Length	Gray
FWH68	80 ¹ / ₄	2550026
FWH611	83 ⁵ / ₃₂	2427016
FWH76	90 ¹ / ₄	2577697
FWH80	96 ¹ / ₄	2572536

Installation Kits

Installation Kit with Screws



Kit includes: 1 - Adjustment Installation Guide 0005221 . 16 - #10 x 3" Installation screws	Single-Stat
	2579043
Kit includes: 4 - #10 x 3" Installation screws 1 - Allen Wrench 1 - Hinge Service Guide 0005226 . 1 - Service Guide 0005225 . 1 - Temporary Lock Handle 24 - #10 x 3" Installation screws	1 & 2 Panel
	2579044

400 Series Frenchwood® Outswing Doors (1997 to 2016)

Single Panel, 2-Panel, and Stationary Panel

Frames

Installation Kit - Doors

Note:

Used for rectangular openings up to 72" x 83". See [Installation Guide 9080775](#).



Kit Includes:

- (1) Backer Rod - 20 ft.
- (64) Shims
- (54) Fasteners - 1 1/2" Roofing nails
- (1) Self-Adhering Flashing Tape - 22 ft.
- (1) Flexible Sill Flashing Tape - 7 ft.
- (1) Insulating Foam - 12 oz. can
- (3) Sealant - 10.1 oz. tube
- Installation Guide

Product Line(s)

Multiple

Order No.

9080774

Frames

Panel Stops

Panel Stop - Head Ref. No. 10 [page 109](#)

Note:

Head and side stops have the same profile.

	Unit No.	Dimensions	PINE	MAPLE	OAK	Interior White
	FWO21	22 ⁷ / ₁₆	2573298	2509581	2509665	2573447
	FWO27	28 ¹ / ₁₆	2573301	2509582	2509666	2573448
	FWO29	30 ¹ / ₁₆	2573302	2509583	2509667	2573449
	FWO31	34 ¹ / ₁₆	2573303	2509584	2509668	2573450
	FWO41	45 ⁷ / ₁₆	2573299	2509585	2509669	2573451
	FWO50	57 ³ / ₁₆	2573304	2509586	2509670	2573452
	FWO54	61 ³ / ₁₆	2573305	2509587	2509671	2573453
FWO60	69 ³ / ₁₆	2573306	2509588	2509672	2573454	

Panel Stop - Side Ref. No. 9 [page 109](#)

Note:

Handing determined by location on unit as viewed from exterior.

Unit No.	Dimensions	PINE		MAPLE		OAK		Interior White	
		Left	Right	Left	Right	Left	Right	Left	Right
FWO68	77 ³¹ / ₆₄	2573307	2573310	2509597	2509598	2509681	2509682	2573456	2573455
FWO611	80 ²³ / ₆₄	2573308	2573311	2509599	2509601	2509683	2509684	2573458	2573457
FWO80	93 ³¹ / ₆₄	2573309	2573312	2509602	2509603	2509685	2509686	2573460	2573459

Panel Stop - Sill / Stationary

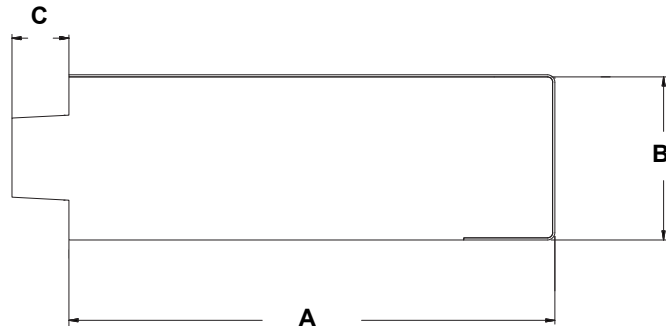
	Unit No.	Dimensions	PINE	MAPLE	OAK	Interior White
	FWO21	21 ¹ / ₃₂	2573328	2509604	2509687	2573461
	FWO27	26 ²¹ / ₃₂	2573325	2509605	2509688	2573462
	FWO29	28 ²¹ / ₃₂	2573326	2509606	2509689	2573463
	FWO31	32 ²¹ / ₃₂	2573327	2509607	2509690	2573464

400 Series Frenchwood® Outswing Doors (1997 to 2016)

Single Panel, 2-Panel, and Stationary Panel

Frames

Extension Jamb



	Dim A	Dim B	Dim C
5 1/4	11/16	11/16	15/64
6 9/16	2	11/16	15/64
7 1/8	2 9/16	11/16	15/64

Frenchwood Outswing Extension Jamb

Extension Jamb without Strike - Interior / Head and Side Set / Pine

Note:

Head extension jamb may need to be cut down. Single active doors use stationary (S) extension jamb set. Sizes > 5 1/4" are pre-drilled.

Unit No.	5 1/4"	6 9/16"	7 1/8"
FWO/FWH68AP/PA/SS	2577210	2577310	2577410
FWO/FWH68SAS/SSS	2577208	2577308	2577408
FWO/FWH68S	2577204	2577304	2577404
FWO/FWH611AP/PA/SS	2577211	2577311	2577411
FWO/FWH611SAS	2577209	2577309	2577409
FWO/FWH611S	2577205	2577305	2577405
FWH80AP/PA/SS	2577234	2577334	2577434
FWH80SAS/SSS	2577232	2577332	2577432
FWH80S	2577226	2577326	2577426

Extension Jamb without Strike - Interior / Head and Side Set / Painted White

Note:

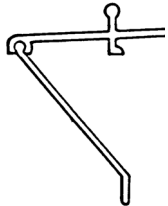
Head extension jamb may need to be cut down. Single active doors use stationary (S) extension jamb set.

Unit No.	5 1/4"	6 9/16"	7 1/8"
FWO/FWH68AP/PA/SS	2572355	2572461	2572571
FWO/FWH68SAS/SSS	2572354	2572460	2572570
FWO/FWH68S	2572353	2572459	2572569
FWO/FWH611AP/PA/SS	2572360	2572466	2572576
FWO/FWH611SAS	2572359	2572465	2572575
FWO/FWH611S	2572358	2572464	2572574
FWH80AP/PA/SS	2572367	2572473	2572583
FWH80SAS/SSS	2572366	2572472	2572582
FWH80S	2572365	2572471	2572581

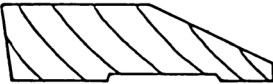
Frames

Miscellaneous Frame Parts

Sill Support with Screws Ref. No. 8 [page 109](#)

		Size	Gray
		50, 41	1997054
		60, 54	1997057
		21, 27, 29, 31	1997055

Threshold with Screws

	Unit No.	Length	Maple	Oak
	29/30/33	40	1207056	1207010
	40/43	52	1207057	1207020
	50	63	1207058	1207025
	510/60	74	1207059	1207030
	8	98	1207060	1207040
	9	111	1207061	1207045
	100/4	120	1207062	1207048
	12	145	1207063	1207050
	160/4	193	1207064	1207055

400 Series Frenchwood® Outswing Doors (1997 to 2016)

Single Panel, 2-Panel, and Stationary Panel

Joining Components

Narrow Mull Joining Kits

Joining Kit - Narrow Mullion

Kit includes:

- 8 - Screws, PH FL STL Z-Y-D #10-12 X 1-3/4 type 17
- 12 - Screws, self-drilling #8-18 x 2-3/8 PH bugle HD #2 blk
- 18 - Screws, PH FL STL Z-Y #10-12 X 1 type 17
- 2 - End plates
- 1 - Sill support bar
- 2 - OS narrow mull flashing
- Aluminum joining strip
- Outside trim strip

Unit No.	Dimensions	White	Terratone	Sandtone	Forest Green
FWH31		2510110	2666314	0900401	1267826
FWH68	79 1/2	2576302	2666302	0921202	1267753
FWH611	82 3/8	2576303	2666303	0921203	1267754
FWH80	95 1/2	2576304	2666304	0921204	1267755
10 feet	120 inch	2510111	2666313	0900407	1267811


Outside Trim Strip - Narrow Mullion / Vinyl

	Unit No.	Dimensions	White	Terratone	Sandtone
	FWH68	79 1/2	2579702	2668702	0924702
	FWH611	82 3/8	2579703	2668703	0924703
	FWH80	95 1/2	2579704	2668704	0924704

Inside Casing - Narrow Mullion

Note:

The joining kit does not include inside casing.

	Unit No.	Dimension	Pine	Maple	Oak	Interior White
	FWH68/611/80	96	2579720	2579736	2579733	2579717
	10 feet	120 inch	2579887	2579889	2579888	2579890

Joining Components

Support Mull Joining Kits

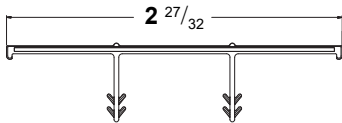
Joining Kit - Support Mullion

Kit includes:

Outside vinyl trim strip, filler, flashing

Unit No.	Dimensions	White	Terratone	Sandtone	Forest Green
FWH68	79 1/2	2576306	2666306	0921206	1267762
FWH611	82 3/8	2576307	2666307	0921207	1267763
FWH80	95 1/2	2576308	2666308	0921208	1267764

Trim Strip - Support Mullion



Unit No.	Dimensions	White	Terratone	Sandtone
FWH68	79 1/2	2579706	2668706	0924706
FWH611	82 3/8	2579707	2668707	0924707
FWH80	95 1/2	2579708	2668708	0924708

Filler Strip - Support Mullion

Unit No.	Dimensions	Order No.
FWH68	79 1/2	2579714
FWH611	82 3/8	2579715
FWH80	95 1/2	2579716

400 Series Frenchwood® Outswing Doors (1997 to 2016)

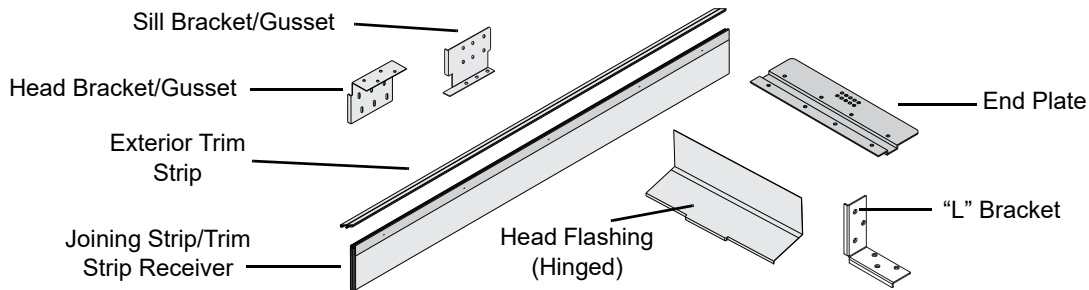
Single Panel, 2-Panel, and Stationary Panel

Joining Components

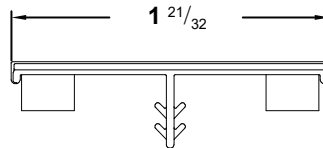
LVL Joining Kit Components - Vintage

Note:

Laminated Veneered Lumber (LVL) joining system was replaced by Easy Connect Joining System (ECJS) in July 2019. Some kits and component parts are unavailable.



Outside Trim Strip - LVL Mullion



	Unit No.	Length	White	Terratone	Sandtone	Forest Green
	68	79 1/4	2573492	2640743	0903750	1262848
	611	82 1/8	2573496	2640744	0903751	1262849
	80	95 1/4	2573488	2640745	0903752	1262850
	10 ft	117 13/16	2510101	2640746	0903753	1262851

Mull Flashing - LVL Mullion / Exterior Support / 4 5/8"

	Color	Order No.
	White	2573484
	Terratone	2640727
	Sandtone	0903517
	Forest Green	1252809

Joining Components

Inside Casing - LVL Mullion / Narrow Mullion / 2 3/8"				
	Note:	Length	Finish	Order No.
	Inside casing is not part of LVL joining kit.	96 in	White (Vinyl)	1916008
			Pine	1916007
			Maple	1916010
			Oak	1916009

400 Series Frenchwood® Outswing Doors (1997 to 2016)

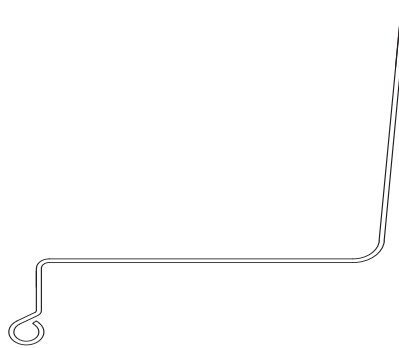
Single Panel, 2-Panel, and Stationary Panel

Joining Components

Universal Drip Cap - Continuous

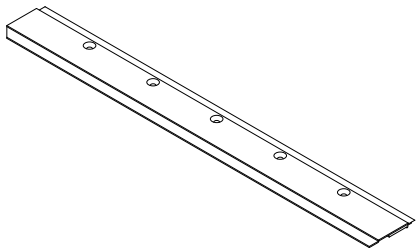
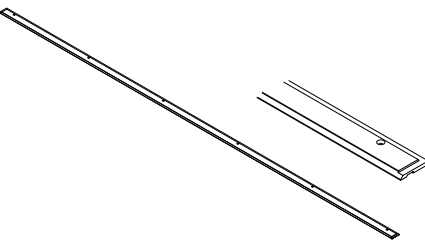
Note:

Use on side-by-side or vertical joins mulled at the factory or distributor. Consists of 24 gauge aluminum material.



	72"			120"			151 1/2"	
	Package Quantity			Package Quantity			Package Quantity	
	1	10	40	1	10	40	1	10
White	2222525	2222526	2222527	2222546	2222547	2222548	2222555	2222556
Terratone	2222528	2222529	NA	2222549	2222550	NA	2222557	2222558
Sandtone	2222530	2222531	NA	2222551	2222552	NA	2222559	2222560
Forest Green	2222532	2222533	NA	2222553	2222554	NA	2222561	2222562
Canvas	9003116	9003117	NA	9003126	9003127	NA	9003130	9003131

Art Glass Components

Art Glass Trim Stops				
Trim Stop - Art Glass / Head and Sill				
		Unit No.	Length	Order No.
		AG FWH/FWO 21	12 ⁵ / ₈	2370167
		AG FWH/FWO 27	18 ¹ / ₄	2370169
		AG FWH/FWO 29	20 ¹ / ₄	2370171
		AG FWH/FWO 31	24 ¹ / ₄	2370173
Trim Stop - Art Glass / Side				
		Unit No.	Length	Order No.
		AG FWH/FWO 68	65 ¹ / ₈	2370184
		AG FWH/FWO 611	67 ¹⁵ / ₁₆	2370179
		AG FWH/FWO 80	81 ¹ / ₈	2370185

Art Glass Hardware			
Bracket Package with Shims and Screws - Art Glass / Top and Bottom			
	Package includes: 6 upper brackets, 3 lower brackets, shims, and fasteners	Unit No.	Order No.
		AG FWD	2370019
Bracket with Screws - Art Glass / Top			
	Package includes: 2 upper brackets and fasteners	Unit No.	Order No.
		AG FWD	2370024
Screw - Art Glass / Head Package			
	Package includes: 11 - 1" brass trim screws		Order No.
			2370026
Screw - Art Glass / Sill Stop Package			
	Package includes: 11 - 9/16" brass trim screws	Unit No.	Order No.
		FWD/PSC	2370029

400 Series Frenchwood® Outswing Doors (1997 to 2016)

Stormwatch® Protection (Coastal Product)

Andersen® products with Stormwatch® protection are designed for use in coastal areas. They feature design pressure upgrades, glass options, and structural enhancements.

The parts listed below are exclusive to the Stormwatch® line. Parts shared with standard doors are listed in the standard product pages of this section.

Panels - Active

Panels - Active / Single Door									
Panel - Active / Single Door / High-Performance-Low-E4® Tempered / Pine Interior (Impact Resistant)									
Note: Available by description.									
Unit No.	Exterior								
	White		Terratone			Sandtone		Forest Green	
	Interior								
	PINE								
Panel - Active / Single Door / High-Performance-Low-E4® Tempered / Maple Interior (Impact Resistant)									
Unit No.	Maple Interior/ White Exterior		Maple Interior/ Terratone Exterior		Maple Interior/ Sandtone Exterior		Maple Interior/ Forest Green Exterior		
	Left	Right	Left	Right	Left	Right	Left	Right	
Note: Available by description.									
Panel - Active / Single Door / High-Performance-Low-E4® Tempered / Oak Interior (Impact Resistant)									
Unit No.	Oak Interior/ White Exterior		Oak Interior/ Terratone Exterior		Oak Interior/ Sandtone Exterior		Oak Interior/ Forest Green Exterior		
	Left	Right	Left	Right	Left	Right	Left	Right	
Note: Available by description.									
Panel - Active / Single Door / HP-Low-E4® Tempered / Interior White (Impact Resistant)									
Note: Available by description							White Interior / White Exterior		
							Left	Right	

Panels - Active

Panel - Active / Single Door / High-Performance-Low-E4® Sun 3 Tempered / Pine Interior (Impact Resistant)								
Unit No.	Pine Interior/ White Exterior		Pine Interior/ Terratone Exterior		Pine Interior/ Sandtone Exterior		Pine Interior/ Forest Green Exterior	
	Left	Right	Left	Right	Left	Right	Left	Right
Note: Available by description.								

Panel - Active / Single Door / High-Performance-Low-E4® Sun 3 Tempered / Maple Interior (Impact Resistant)								
Unit No.	Maple Interior/ White Exterior		Maple Interior/ Terratone Exterior		Maple Interior/ Sandtone Exterior		Maple Interior/ Forest Green Exterior	
	Left	Right	Left	Right	Left	Right	Left	Right
Note: Available by description.								

Panel - Active / Single Door / High-Performance-Low-E4® Sun 3 Tempered / Oak Interior (Impact Resistant)								
Unit No.	Oak Interior/ White Exterior		Oak Interior/ Terratone Exterior		Oak Interior/ Sandtone Exterior		Oak Interior/ Forest Green Exterior	
	Left	Right	Left	Right	Left	Right	Left	Right
Note: Available by description.								

Panel - Active / Single Door / High-Performance-Low-E4® Sun 3 Tempered / Interior White (Impact Resistant)		
Note: Available by description		White Interior /White Exterior
		Left Right

400 Series Frenchwood® Outswing Doors (1997 to 2016)

Stormwatch® Protection (Coastal Product)

Panels - Active

Panel - Active / Single Door / High-Performance Sun II Tempered / Pine Interior (Impact Resistant)								
Unit No.	Maple Interior/ White Exterior		Maple Interior/ Terratone Exterior		Maple Interior/ Sandtone Exterior		Maple Interior/ Forest Green Exterior	
	Left	Right	Left	Right	Left	Right	Left	Right
Note: Available by description.								

Panel - Active / Single Door / High-Performance Sun II Tempered / Maple Interior (Impact Resistant)								
Unit No.	Maple Interior/ White Exterior		Maple Interior/ Terratone Exterior		Maple Interior/ Sandtone Exterior		Maple Interior/ Forest Green Exterior	
	Left	Right	Left	Right	Left	Right	Left	Right
Note: Available by description.								

Panel - Active / Single Door / High-Performance Sun II Tempered / Oak Interior (Impact Resistant)								
Unit No.	Oak Interior/ White Exterior		Oak Interior/ Terratone Exterior		Oak Interior/ Sandtone Exterior		Oak Interior/ Forest Green Exterior	
	Left	Right	Left	Right	Left	Right	Left	Right
Note: Available by description.								

Panel - Active / Single Door / High-Performance Sun II Tempered / Interior White (Impact Resistant)			
Note: Available by description			
		White Interior / White Exterior	
		Left	Right

Panels - Active

Panel - Active / Single Door / Clear Laminated Monolithic (CLM) / Pine Interior								
Unit No.	Pine Interior/ White Exterior		Pine Interior/ Terratone Exterior		Pine Interior/ Sandtone Exterior		Pine Interior/ Forest Green Exterior	
	Left	Right	Left	Right	Left	Right	Left	Right
Note: Available by description.								

Panel - Active / Single Door / Clear Laminated Monolithic (CLM) / Maple Interior								
Unit No.	Maple Interior/ White Exterior		Maple Interior/ Terratone Exterior		Maple Interior/ Sandtone Exterior		Maple Interior/ Forest Green Exterior	
	Left	Right	Left	Right	Left	Right	Left	Right
Note: Available by description.								

Panel - Active / Single Door / Clear Laminated Monolithic (CLM) / Oak Interior								
Unit No.	Oak Interior/ White Exterior		Oak Interior/ Terratone Exterior		Oak Interior/ Sandtone Exterior		Oak Interior/ Forest Green Exterior	
	Left	Right	Left	Right	Left	Right	Left	Right
Note: Available by description.								

Panel - Active / Single Door / Clear Laminated Monolithic (CLM) / Interior White								
Note: Available by description							White Interior /White Exterior	
							Left	Right

400 Series Frenchwood® Outswing Doors (1997 to 2016)

Stormwatch® Protection (Coastal Product)

Panels - Active

Panel - Active / Single Door / Gray Laminated Monolithic (GLM) / Pine Interior								
Unit No.	Pine Interior/ White Exterior		Pine Interior/ Terratone Exterior		Pine Interior/ Sandtone Exterior		Pine Interior/ Forest Green Exterior	
	Left	Right	Left	Right	Left	Right	Left	Right
Note: Available by description.								

Panel - Active / Single Door / Gray Laminated Monolithic (GLM) / Maple Interior								
Unit No.	Maple Interior/ White Exterior		Maple Interior/ Terratone Exterior		Maple Interior/ Sandtone Exterior		Maple Interior/ Forest Green Exterior	
	Left	Right	Left	Right	Left	Right	Left	Right
Note: Available by description.								

Panel - Active / Single Door / Gray Laminated Monolithic (GLM) / Oak Interior								
Unit No.	Oak Interior/ White Exterior		Oak Interior/ Terratone Exterior		Oak Interior/ Sandtone Exterior		Oak Interior/ Forest Green Exterior	
	Left	Right	Left	Right	Left	Right	Left	Right
Note: Available by description.								

Panel - Active / Single Door / Gray Laminated Monolithic (GLM) / Interior White								
Note: Available by description							White Interior / White Exterior	
							Left	Right

Panels - Active

Panels - Active / Double Doors (AP)				
Panel - Active / Double Door (AP) / High-Performance-Low-E4[®] Tempered / Pine Interior (Impact Resistant)				
Note: Available by description	Pine Interior/ White Exterior	Pine Interior/ Terratone Exterior	Pine Interior/ Sandtone Exterior	Pine Interior/ Forest Green Exterior
Panel - Active / Double Door (AP) / High-Performance-Low-E4[®] Tempered / Maple Interior (Impact Resistant)				
Note: Available by description	Maple Interior/ White Exterior	Maple Interior/ Terratone Exterior	Maple Interior/ Sandtone Exterior	Maple Interior/ Forest Green Exterior
Panel - Active / Double Door (AP) / High-Performance-Low-E4[®] Tempered / Oak Interior (Impact Resistant)				
Note: Available by description	Oak Interior/ White Exterior	Oak Interior/ Terratone Exterior	Oak Interior/ Sandtone Exterior	Oak Interior/ Forest Green Exterior
Panel - Active / Double Door (AP) / High-Performance-Low-E4[®] Tempered / Interior White (Impact Resistant)				
Note: Available by description				White Interior / White Exterior
Panel - Active / Double Door (AP) / HP-Low-E4[®] Sun 3 Tempered / Pine Interior (Impact Resistant)				
Note: Available by description	Pine Interior/ White Exterior	Pine Interior/ Terratone Exterior	Pine Interior/ Sandtone Exterior	Pine Interior/ Forest Green Exterior
Panel - Active / Double Door (AP) / HP-Low-E4[®] Sun 3 Tempered / Maple Interior (Impact Resistant)				
Note: Available by description	Maple Interior/ White Exterior	Maple Interior/ Terratone Exterior	Maple Interior/ Sandtone Exterior	Maple Interior/ Forest Green Exterior
Panel - Active / Double Door (AP) / HP-Low-E4[®] Sun 3 Tempered / Oak Interior (Impact Resistant)				
Note: Available by description	Oak Interior/ White Exterior	Oak Interior/ Terratone Exterior	Oak Interior/ Sandtone Exterior	Oak Interior/ Forest Green Exterior
Panel - Active / Double Door (AP) / High-Performance-Low-E4[®] Sun 3 Tempered / Interior White (Impact Resistant)				
Note: Available by description				White Interior / White Exterior

400 Series Frenchwood® Outswing Doors (1997 to 2016)

Stormwatch® Protection (Coastal Product)

Panels - Active

Panel - Active / Double Door (AP) / High-Performance Sun II Tempered / Pine Interior (Impact Resistant)				
Note: Available by description	Pine Interior/ White Exterior	Pine Interior/ Terratone Exterior	Pine Interior/ Sandtone Exterior	Pine Interior/ Forest Green Exterior
Panel - Active / Double Door (AP) / High-Performance Sun II Tempered / Maple Interior (Impact Resistant)				
Note: Available by description	Maple Interior/ White Exterior	Maple Interior/ Terratone Exterior	Maple Interior/ Sandtone Exterior	Maple Interior/ Forest Green Exterior
Panel - Active / Double Door (AP) / High-Performance Sun II Tempered / Oak Interior (Impact Resistant)				
Note: Available by description	Oak Interior/ White Exterior	Oak Interior/ Terratone Exterior	Oak Interior/ Sandtone Exterior	Oak Interior/ Forest Green Exterior
Panel - Active / Double Door (AP) / High-Performance Sun II Tempered / Interior White (Impact Resistant)				
Note: Available by description				White Interior / White Exterior
Panel - Active / Double Door (AP) / Clear Laminated Monolithic (CLM) / Pine Interior				
Note: Available by description	Pine Interior/ White Exterior	Pine Interior/ Terratone Exterior	Pine Interior/ Sandtone Exterior	Pine Interior/ Forest Green Exterior
Panel - Active / Double Door (AP) / Clear Laminated Monolithic (CLM) / Oak Interior				
Note: Available by description	Oak Interior/ White Exterior	Oak Interior/ Terratone Exterior	Oak Interior/ Sandtone Exterior	Oak Interior/ Forest Green Exterior
Panel - Active / Double Door (AP) / Clear Laminated Monolithic (CLM) / Maple Interior				
Note: Available by description	Maple Interior/ White Exterior	Maple Interior/ Terratone Exterior	Maple Interior/ Sandtone Exterior	Maple Interior/ Forest Green Exterior
Panel - Active / Double Door (AP) / Clear Laminated Monolithic (CLM) / Interior White				
Note: Available by description				White Interior / White Exterior

Panels - Active

Panel - Active / Double Door (AP) / Gray Laminated Monolithic (GLM) / Pine Interior

Note: Available by description	Pine Interior/ White Exterior	Pine Interior/ Terratone Exterior	Pine Interior/ Sandtone Exterior	Pine Interior/ Forest Green Exterior
--	--	--	---	---

Panel - Active / Double Door (AP) / Gray Laminated Monolithic (GLM) / Maple Interior

Note: Available by description	Maple Interior/ White Exterior	Maple Interior/ Terratone Exterior	Maple Interior/ Sandtone Exterior	Maple Interior/ Forest Green Exterior
--	---	---	--	--

Panel - Active / Double Door (AP) / Gray Laminated Monolithic (GLM) / Oak Interior

Note: Available by description	Oak Interior/ White Exterior	Oak Interior/ Terratone Exterior	Oak Interior/ Sandtone Exterior	Oak Interior/ Forest Green Exterior
--	---	---	--	--

Panel - Active / Double Door (AP) / Gray Laminated Monolithic (GLM) / Interior White

Note: Available by description				White Interior / White Exterior
--	--	--	--	--

400 Series Frenchwood® Outswing Doors (1997 to 2016)

Stormwatch® Protection (Coastal Product)

Panels - Active

Panels - Active / Double Doors (PA)				
Panel - Active / Double Door (PA) / High-Performance-Low-E4® Tempered / Pine Interior (Impact Resistant)				
Note: Available by description	Pine Interior/ White Exterior	Pine Interior/ Terratone Exterior	Pine Interior/ Sandtone Exterior	Pine Interior/ Forest Green Exterior
Panel - Active / Double Door (PA) / High-Performance-Low-E4® Tempered / Maple Interior (Impact Resistant)				
Note: Available by description	Maple Interior/ White Exterior	Maple Interior/ Terratone Exterior	Maple Interior/ Sandtone Exterior	Maple Interior/ Forest Green Exterior
Panel - Active / Double Door (PA) / High-Performance-Low-E4® Tempered / Oak Interior (Impact Resistant)				
Note: Available by description	Oak Interior/ White Exterior	Oak Interior/ Terratone Exterior	Oak Interior/ Sandtone Exterior	Oak Interior/ Forest Green Exterior
Panel - Active / Double Door (PA) / High-Performance-Low-E4® Tempered / Interior White (Impact Resistant)				
Note: Available by description				White Interior / White Exterior

Panels - Active

Panel - Active / Double Door (PA) / HP-Low-E4® Sun 3 Tempered / Pine Interior (Impact Resistant)					
	Unit No.	Pine Interior/ White Exterior	Pine Interior/ Terratone Exterior	Pine Interior/ Sandtone Exterior	Pine Interior/ Forest Green Exterior
	FWO2168PA	2561485	2607250	0922931	1268401
	FWO21611PA	2561487	2607252	0922933	1268403
	FWO2180PA	2561489	2607254	0922935	1268405
	FWO2768PA	2561491	2607256	0922937	1268407
	FWO27611PA	2561493	2607258	0922939	1268409
	FWO2780PA	2561495	2607260	0922941	1268411
	FWO2968PA	2561497	2607262	0922943	1268413
	FWO29611PA	2561499	2607264	0922945	1268415
	FWO2980PA	2561502	2607266	0922947	1268417
	FWO3168PA	2561505	2607268	0922949	1268419
	FWO31611PA	2561509	2607270	0922951	1268421
	FWO3180PA	2561512	2607272	0922953	1268423

Panel - Active / Double Door (PA) / HP-Low-E4® Sun 3 Tempered / Maple Interior (Impact Resistant)					
	Unit No.	Maple Interior/ White Exterior	Maple Interior/ Terratone Exterior	Maple Interior/ Sandtone Exterior	Maple Interior/ Forest Green Exterior
	FWO2168PA	2561532	2607292	0922973	1268443
	FWO21611PA	2561534	2607294	0922975	1268445
	FWO2180PA	2561536	2607296	0922977	1268447
	FWO2768PA	2561538	2607298	0922979	1268449
	FWO27611PA	2561540	2607301	0922981	1268451
	FWO2780PA	2561542	2607303	0922983	1268453
	FWO2968PA	2561544	2607305	0922985	1268455
	FWO29611PA	2561546	2607307	0922987	1268457
	FWO2980PA	2561548	2607309	0922989	1268459
	FWO3168PA	2561550	2607311	0922991	1268461
	FWO31611PA	2561552	2607313	0922993	1268463
	FWO3180PA	2561554	2607315	0922995	1268465

Panel - Active / Double Door (PA) / HP-Low-E4® Sun 3 Tempered / Oak Interior (Impact Resistant)					
Note:		Oak Interior/ White Exterior	Oak Interior/ Terratone Exterior	Oak Interior/ Sandtone Exterior	Oak Interior/ Forest Green Exterior
Available by description					

Panel - Active / Double Door (PA) / High-Performance-Low-E4® Sun 3 Tempered / Interior White (Impact Resistant)					
Note:					White Interior / White Exterior
Available by description					

400 Series Frenchwood® Outswing Doors (1997 to 2016)

Stormwatch® Protection (Coastal Product)

Panels - Active

Panel - Active / Double Door (PA) / High-Performance Sun II Tempered / Pine Interior (Impact Resistant)				
Note: Available by description	Oak Interior/ White Exterior	Oak Interior/ Terratone Exterior	Oak Interior/ Sandtone Exterior	Oak Interior/ Forest Green Exterior
Panel - Active / Double Door (PA) / High-Performance Sun II Tempered / Maple Interior (Impact Resistant)				
Note: Available by description	Oak Interior/ White Exterior	Oak Interior/ Terratone Exterior	Oak Interior/ Sandtone Exterior	Oak Interior/ Forest Green Exterior
Panel - Active / Double Door (PA) / High-Performance Sun II Tempered / Oak Interior (Impact Resistant)				
Note: Available by description	Oak Interior/ White Exterior	Oak Interior/ Terratone Exterior	Oak Interior/ Sandtone Exterior	Oak Interior/ Forest Green Exterior
Panel - Active / Double Door (PA) / High-Performance Sun II Tempered / Interior White (Impact Resistant)				
Note: Available by description				White Interior / White Exterior
Panel - Active / Double Door (PA) / Clear Laminated Monolithic (CLM) / Pine Interior				
Note: Available by description	Pine Interior/ White Exterior	Pine Interior/ Terratone Exterior	Pine Interior/ Sandtone Exterior	Pine Interior/ Forest Green Exterior
Panel - Active / Double Door (PA) / Clear Laminated Monolithic (CLM) / Maple Interior				
Note: Available by description	Maple Interior/ White Exterior	Maple Interior/ Terratone Exterior	Maple Interior/ Sandtone Exterior	Maple Interior/ Forest Green Exterior
Panel - Active / Double Door (PA) / Clear Laminated Monolithic (CLM) / Oak Interior				
Note: Available by description	Oak Interior/ White Exterior	Oak Interior/ Terratone Exterior	Oak Interior/ Sandtone Exterior	Oak Interior/ Forest Green Exterior
Panel - Active / Double Door (PA) / Clear Laminated Monolithic (CLM) / Interior White				
Note: Available by description				White Interior / White Exterior

Panels - Active

Panel - Active / Double Door (PA) / Gray Laminated Monolithic (GLM) / Pine Interior

Note: Available by description	Pine Interior/ White Exterior	Pine Interior/ Terratone Exterior	Pine Interior/ Sandtone Exterior	Pine Interior/ Forest Green Exterior
--	--	--	---	---

Panel - Active / Double Door (PA) / Gray Laminated Monolithic (GLM) / Maple Interior

Note: Available by description	Maple Interior/ White Exterior	Maple Interior/ Terratone Exterior	Maple Interior/ Sandtone Exterior	Maple Interior/ Forest Green Exterior
--	---	---	--	--

Panel - Active / Double Door (PA) / Gray Laminated Monolithic (GLM) / Oak Interior

Note: Available by description	Oak Interior/ White Exterior	Oak Interior/ Terratone Exterior	Oak Interior/ Sandtone Exterior	Oak Interior/ Forest Green Exterior
--	---	---	--	--

Panel - Active / Double Door (PA) / Gray Laminated Monolithic (GLM) / Interior White

Note: Available by description				White Interior / White Exterior
--	--	--	--	--

400 Series Frenchwood® Outswing Doors (1997 to 2016)

Stormwatch® Protection (Coastal Product)

Panels - Passive

Passive Panels								
Panel without Astragal - Passive / High-Performance-Low-E4® Tempered / Pine Interior (Impact Resistant)								
Note: Available by description	Pine Interior/ White Exterior		Pine Interior/ Terratone Exterior		Pine Interior/ Sandtone Exterior		Pine Interior/ Forest Green Exterior	
	Left	Right	Left	Right	Left	Right	Left	Right
Panel without Astragal - Passive / High-Performance-Low-E4® Tempered / Maple Interior (Impact Resistant)								
Note: Available by description	Maple Interior/ White Exterior		Maple Interior/ Terratone Exterior		Maple Interior/ Sandtone Exterior		Maple Interior/ Forest Green Exterior	
	Left	Right	Left	Right	Left	Right	Left	Right
Panel without Astragal - Passive / High-Performance-Low-E4® Tempered / Oak Interior (Impact Resistant)								
Note: Available by description	Oak Interior/ White Exterior		Oak Interior/ Terratone Exterior		Oak Interior/ Sandtone Exterior		Oak Interior/ Forest Green Exterior	
	Left	Right	Left	Right	Left	Right	Left	Right
Panel without Astragal - Passive / HP-Low-E4® Tempered / Interior White (Impact Resistant)								
Note: Available by description							White Interior / White Exterior	
							Left	Right
Panel without Astragal - Passive / HP-Low-E4® Sun 3 Tempered / Pine Interior (Impact Resistant)								
Note: Available by description	Pine Interior/ White Exterior		Pine Interior/ Terratone Exterior		Pine Interior/ Sandtone Exterior		Pine Interior/ Forest Green Exterior	
	Left	Right	Left	Right	Left	Right	Left	Right
Panel without Astragal - Passive / HP-Low-E4® Sun 3 Tempered / Maple Interior (Impact Resistant)								
Note: Available by description	Maple Interior/ White Exterior		Maple Interior/ Terratone Exterior		Maple Interior/ Sandtone Exterior		Maple Interior/ Forest Green Exterior	
	Left	Right	Left	Right	Left	Right	Left	Right
Panel without Astragal - Passive / HP-Low-E4® Sun 3 Tempered / Oak Interior (Impact Resistant)								
Note: Available by description	Oak Interior/ White Exterior		Oak Interior/ Terratone Exterior		Oak Interior/ Sandtone Exterior		Oak Interior/ Forest Green Exterior	
	Left	Right	Left	Right	Left	Right	Left	Right
Panel without Astragal - Passive / High-Performance-Low-E4® Sun 3 Tempered / Interior White (Impact Resistant)								
Note: Available by description							White Interior / White Exterior	
							Left	Right

Panels - Passive

Panel without Astragal - Passive / High-Performance Sun II Tempered / Pine Interior (Impact Resistant)

Note: Available by description	Pine Interior/ White Exterior		Pine Interior/ Terratone Exterior		Pine Interior/ Sandtone Exterior		Pine Interior/ Forest Green Exterior	
	Left	Right	Left	Right	Left	Right	Left	Right

Panel without Astragal - Passive / High-Performance Sun II Tempered / Maple Interior (Impact Resistant)

Note: Available by description	Maple Interior/ White Exterior		Maple Interior/ Terratone Exterior		Maple Interior/ Sandtone Exterior		Maple Interior/ Forest Green Exterior	
	Left	Right	Left	Right	Left	Right	Left	Right

Panel without Astragal - Passive / High-Performance Sun II Tempered / Oak Interior (Impact Resistant)

Note: Available by description	Oak Interior/ White Exterior		Oak Interior/ Terratone Exterior		Oak Interior/ Sandtone Exterior		Oak Interior/ Forest Green Exterior	
	Left	Right	Left	Right	Left	Right	Left	Right

Panel without Astragal - Passive / High-Performance Sun II Tempered / Interior White (Impact Resistant)

Note: Available by description	White Interior / White Exterior							
	Left				Right			

Panel without Astragal - Passive / Clear Laminated Monolithic (CLM) / Pine Interior

Note: Available by description	Pine Interior/ White Exterior		Pine Interior/ Terratone Exterior		Pine Interior/ Sandtone Exterior		Pine Interior/ Forest Green Exterior	
	Left	Right	Left	Right	Left	Right	Left	Right

Panel without Astragal - Passive / Clear Laminated Monolithic (CLM) / Maple Interior

Note: Available by description	Maple Interior/ White Exterior		Maple Interior/ Terratone Exterior		Maple Interior/ Sandtone Exterior		Maple Interior/ Forest Green Exterior	
	Left	Right	Left	Right	Left	Right	Left	Right

Panel without Astragal - Passive / Clear Laminated Monolithic (CLM) / Oak Interior

Note: Available by description	Oak Interior/ White Exterior		Oak Interior/ Terratone Exterior		Oak Interior/ Sandtone Exterior		Oak Interior/ Forest Green Exterior	
	Left	Right	Left	Right	Left	Right	Left	Right

Panel without Astragal - Passive / Clear Laminated Monolithic (CLM) / Interior White

Note: Available by description	White Interior / White Exterior							
	Left				Right			

400 Series Frenchwood® Outswing Doors (1997 to 2016)

Stormwatch® Protection (Coastal Product)

Panels - Passive

Panel without Astragal - Passive / Gray Laminated Monolithic (GLM) / Pine Interior

Note: Available by description	Maple Interior/ White Exterior		Maple Interior/ Terratone Exterior		Maple Interior/ Sandtone Exterior		Maple Interior/ Forest Green Exterior	
	Left	Right	Left	Right	Left	Right	Left	Right

Panel without Astragal - Passive / Gray Laminated Monolithic (GLM) / Maple Interior

Note: Available by description	Maple Interior/ White Exterior		Maple Interior/ Terratone Exterior		Maple Interior/ Sandtone Exterior		Maple Interior/ Forest Green Exterior	
	Left	Right	Left	Right	Left	Right	Left	Right

Panel without Astragal - Passive / Gray Laminated Monolithic (GLM) / Oak Interior

Note: Available by description	Oak Interior/ White Exterior		Oak Interior/ Terratone Exterior		Oak Interior/ Sandtone Exterior		Oak Interior/ Forest Green Exterior	
	Left	Right	Left	Right	Left	Right	Left	Right

Panel without Astragal - Passive / Gray Laminated Monolithic (GLM) / Interior White

Note: Available by description	White Interior / White Exterior	
	Left	Right

Panels - Stationary

Stationary Panels				
Panel - Stationary / High-Performance-Low-E4[®] Tempered / Pine Interior (Impact Resistant)				
Note: Available by description	Pine Interior/ White Exterior	Pine Interior/ Terratone Exterior	Pine Interior/ Sandtone Exterior	Pine Interior/ Forest Green Exterior
Panel - Stationary / High-Performance-Low-E4[®] Tempered / Maple Interior (Impact Resistant)				
Note: Available by description	Maple Interior/ White Exterior	Maple Interior/ Terratone Exterior	Maple Interior/ Sandtone Exterior	Maple Interior/ Forest Green Exterior
Panel - Stationary / High-Performance-Low-E4[®] Tempered / Oak Interior (Impact Resistant)				
Note: Available by description	Oak Interior/ White Exterior	Oak Interior/ Terratone Exterior	Oak Interior/ Sandtone Exterior	Oak Interior/ Forest Green Exterior
Panel - Stationary / High-Performance-Low-E4[®] Tempered / Interior White (Impact Resistant)				
Note: Available by description				White Interior / White Exterior
Panel - Stationary / High-Performance-Low-E4[®] Sun 3 Tempered / Pine Interior (Impact Resistant)				
Note: Available by description	Pine Interior/ White Exterior	Pine Interior/ Terratone Exterior	Pine Interior/ Sandtone Exterior	Pine Interior/ Forest Green Exterior
Panel - Stationary / High-Performance-Low-E4[®] Sun 3 Tempered / Maple Interior (Impact Resistant)				
Note: Available by description	Maple Interior/ White Exterior	Maple Interior/ Terratone Exterior	Maple Interior/ Sandtone Exterior	Maple Interior/ Forest Green Exterior
Panel - Stationary / High-Performance-Low-E4[®] Sun 3 Tempered / Oak Interior (Impact Resistant)				
Note: Available by description	Oak Interior/ White Exterior	Oak Interior/ Terratone Exterior	Oak Interior/ Sandtone Exterior	Oak Interior/ Forest Green Exterior
Panel - Stationary / High-Performance-Low-E4[®] Sun 3 Tempered / Interior White (Impact Resistant)				
Note: Available by description				White Interior / White Exterior

400 Series Frenchwood® Outswing Doors (1997 to 2016)

Stormwatch® Protection (Coastal Product)

Panels - Stationary

Panel - Stationary / High-Performance Sun II Tempered / Pine Interior (Impact Resistant)				
Note: Available by description	Pine Interior/ White Exterior	Pine Interior/ Terratone Exterior	Pine Interior/ Sandtone Exterior	Pine Interior/ Forest Green Exterior
Panel - Stationary / High-Performance Sun II Tempered / Maple Interior (Impact Resistant)				
Note: Available by description	Maple Interior/ White Exterior	Maple Interior/ Terratone Exterior	Maple Interior/ Sandtone Exterior	Maple Interior/ Forest Green Exterior
Panel - Stationary / High-Performance Sun II Tempered / Oak Interior (Impact Resistant)				
Note: Available by description	Oak Interior/ White Exterior	Oak Interior/ Terratone Exterior	Oak Interior/ Sandtone Exterior	Oak Interior/ Forest Green Exterior
Panel - Stationary / High-Performance Sun II Tempered / Interior White (Impact Resistant)				
Note: Available by description				White Interior / White Exterior
Panel - Stationary / Clear Laminated Monolithic (CLM) / Pine Interior				
Note: Available by description	Pine Interior/ White Exterior	Pine Interior/ Terratone Exterior	Pine Interior/ Sandtone Exterior	Pine Interior/ Forest Green Exterior
Panel - Stationary / Clear Laminated Monolithic (CLM) / Maple Interior				
Note: Available by description	Maple Interior/ White Exterior	Maple Interior/ Terratone Exterior	Maple Interior/ Sandtone Exterior	Maple Interior/ Forest Green Exterior
Panel - Stationary / Clear Laminated Monolithic (CLM) / Oak Interior				
Note: Available by description	Oak Interior/ White Exterior	Oak Interior/ Terratone Exterior	Oak Interior/ Sandtone Exterior	Oak Interior/ Forest Green Exterior
Panel - Stationary / Clear Laminated Monolithic (CLM) / Interior White				
Note: Available by description				White Interior / White Exterior

Panels - Stationary

Panel - Stationary / Gray Laminated Monolithic (GLM) / Pine Interior				
Note: Available by description	Maple Interior/ White Exterior	Maple Interior/ Terratone Exterior	Maple Interior/ Sandtone Exterior	Maple Interior/ Forest Green Exterior
Panel - Stationary / Gray Laminated Monolithic (GLM) / Maple Interior				
Note: Available by description	Maple Interior/ White Exterior	Maple Interior/ Terratone Exterior	Maple Interior/ Sandtone Exterior	Maple Interior/ Forest Green Exterior
Panel - Stationary / Gray Laminated Monolithic (GLM) / Oak Interior				
Note: Available by description	Oak Interior/ White Exterior	Oak Interior/ Terratone Exterior	Oak Interior/ Sandtone Exterior	Oak Interior/ Forest Green Exterior
Panel - Stationary / Gray Laminated Monolithic (GLM) / Interior White				
Note: Available by description				White Interior / White Exterior

400 Series Frenchwood® Outswing Doors (1997 to 2016)

Hardware

Lock Mechanism (Impact Resistant)		
Lock Mechanism - 5-point / Active / Stainless Steel (Impact Resistant) <i>(March 2003 to 2016)</i>		
Note:	Unit No.	Order No.
The 5-point active lock mechanism is used on double active Stormwatch® (AP/PA) units. Single active Stormwatch® units use the standard 3-point active lock mechanism on page 98	FWH68	2579774
	FWH611	2579775
	FWH80	2579776

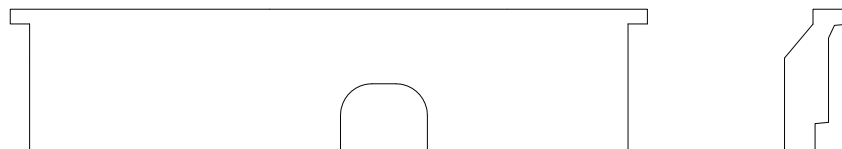
Lock Hardware		
Bracket - Lock End / Upper and Lower		
	Note: This is a universal bracket for left-hand and right-hand units	Order No. 2579795

Stops

Panel Stops (Impact Resistant)

Note:

Single Stormwatch® units use standard panel stops, head and sides. Double Stormwatch® units use unique head panel stops, shown here, and standard side panel stops.



Panel Stop - Head (Impact Resistant)

Unit No.	Length	Pine		Maple		Oak	
		AP	PA	AP	PA	AP	PA
FWO41	45 ⁷ / ₁₆	2540153	2540113	2509589	2509590	2509673	2509674
FWO50	57 ³ / ₁₆	2540154	2540114	2509591	2509592	2509675	2509676
FWO54	61 ³ / ₁₆	2540155	2540115	2509593	2509594	2509677	2509678
FWO60	69 ³ / ₁₆	2540156	2540116	2509595	2509596	2509679	2509680

Panel Stop - Head (Impact Resistant)

Unit No.	Length	Prefinished Interior White	
		AP	PA
FWO41	45 ⁷ / ₁₆	2585988	2585984
FWO50	57 ³ / ₁₆	2585989	2585985
FWO54	61 ³ / ₁₆	2585990	2585986
FWO60	69 ³ / ₁₆	2585991	2585987

400 Series Frenchwood® Outswing Doors (1997 to 2016)

Service Replacement

Service Replacement

Service Replacement Only Parts

Service Replacement Only Parts

Note:

This section is specifically designed for parts that should only be ordered if a Territory Service Manager/Service Provider Company has requested them to be ordered or if the customer agrees to also pay for a non-warranty repair/replace service job (subject to availability) for these parts to be installed. We do not recommend anyone other than a trained AW employee or Service Provider install these parts due to the complexity of installation, modifications required for installation and/or requirement of special tools.

Hardware Accessory Package - Stationary

Hardware Accessory Package - Stationary

	Package includes:	Unit No.	Order No.
	Stationary panel brackets, screws, spacers, instructions.	FWO/FWH68/611	2573867
		FWO/FWH80	2573868

Gasket Shim

Gasket Shim

	Order No.
	8286001

Service Replacement Only Parts

Filler

Note:

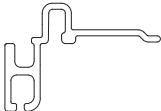
Filler replacement is not recommended. Contact your local [Andersen Service Provider](#).

To order, state:

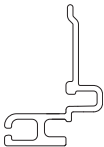
Product ID (from product label, see [Service Guide 9051877](#))

1. Unit or frame size (FWO XXXX or frame W x H dimensions)
2. Panel Type (Active, Passive)
3. Panel Handing/Operation (Left, Right, AP, PA, PL, PR, Stat)
4. Filler Type (Top Rail, Bottom Rail, Lock Stile, Hinge Stile, Stationary Stile)
5. Color

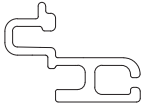
Filler - Stile / Stationary

	Unit No.	White	Terratone	Sandtone	Forest Green
	FWO68	By Description	By Description	By Description	By Description
	FWO611	By Description	By Description	By Description	By Description
	FWO80	By Description	By Description	By Description	By Description

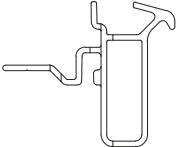
Filler - Stile / Active/Passive Hinge

	Unit No.	White	Terratone	Sandtone	Forest Green
	FWO68	By Description	By Description	By Description	By Description
	FWO611	By Description	By Description	By Description	By Description
	FWO80	By Description	By Description	By Description	By Description

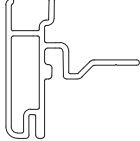
Filler - Stile / Active/Passive Lock

	Unit No.	White	Terratone	Sandtone	Forest Green
	FWO68	By Description	By Description	By Description	By Description
	FWO611	By Description	By Description	By Description	By Description
	FWO80	By Description	By Description	By Description	By Description

Filler - Bottom Rail / Stationary/Active/Passive

	Unit No.	White	Terratone	Sandtone	Forest Green
	FWO21	By Description	By Description	By Description	By Description
	FWO27	By Description	By Description	By Description	By Description
	FWO29	By Description	By Description	By Description	By Description
	FWO31	By Description	By Description	By Description	By Description

Filler - Top Rail / Stationary/Active/Passive

	Unit No.	White	Terratone	Sandtone	Forest Green
	FWO21	By Description	By Description	By Description	By Description
	FWO27	By Description	By Description	By Description	By Description
	FWO29	By Description	By Description	By Description	By Description
	FWO31	By Description	By Description	By Description	By Description

400 Series Frenchwood® Outswing Doors (1997 to 2016)

Service Replacement

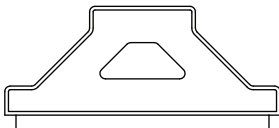
Grilles

Exterior Grilles - High Definition (HDN)

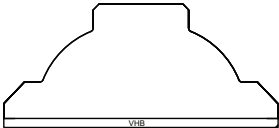
Note:

Permanently applied grilles can only be ordered by Andersen Territory Service Representatives, Andersen Service Dealers and Providers.

Exterior Grilles - Taped / Chamfer A / 96"

	Width/ Length	2 1/4"	1 1/8"	7/8"	3/4"
		96"	96"	96"	96"
	White	1284332	1284331	1284330	1284329
	Terratone	9011974	9011973	9011972	9011971
	Sandtone	1284328	1284327	1284326	1284325
	Forest Green	9011970	9011969	9011968	9011967
	Canvas	1284360	1284359	1284358	1284357

Exterior Grille - HDN / Lineal / PVC

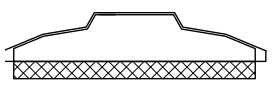
	Width/ Length	2 1/4"		1 1/8"		7/8"		3/4"	
		60"	84"	60"	84"	60"	84"	60"	84"
	White	N/A		2322038	2322039	2322034	2322035	2322030	2322031
	Terratone	N/A		N/A	N/A	N/A	N/A	N/A	N/A
	Sandtone	N/A		N/A	N/A	N/A	N/A	N/A	N/A

Exterior Grilles - Low Definition (LDN)

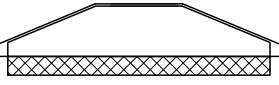
Note:

Permanently applied grilles can only be ordered by Andersen Territory Service Representatives, Andersen Service Dealers and Providers.

Exterior Grille - Ribbed Profile (March 17, 1997 to 2004)

	Width/ Length	2 1/4"	1 1/8"	7/8"	3/4"
		72"	72"	72"	72"
	White	N/A	2322120	2322116	2322111
	Terratone	N/A	2322121	N/A	
	Sandtone	N/A	2322122	N/A	
Forest Green	N/A	2322123	N/A		

Exterior Grille - Flat Profile (1990 to March 17, 1997)

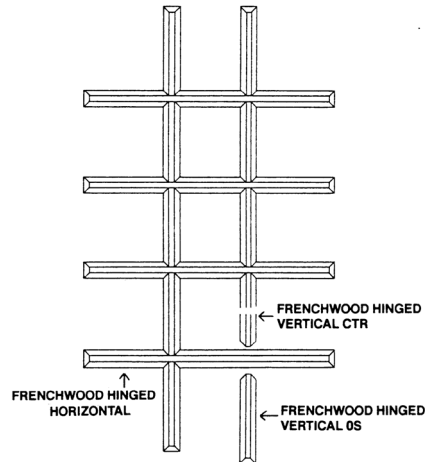
	Width/ Length	2 1/4"	7/8"	7/8"	3/4"
		72"	72"	72"	72"
	White	N/A	N/A	2322115	2322110
	Terratone	N/A	N/A	2322117	2322112
	Sandtone	N/A	N/A	2322118	2322113
Forest Green	N/A	N/A	2322119	2322114	

Grilles

Exterior Grilles - Colonial / 7/8"

Note:

VHB tape is applied to back of grille.



Frenchwood Outswing Door Exterior Grilles

Vertical Center Parts - Exterior Grille

	Unit No.	Length	Sandtone
	FWO/FWH68	12 ¹³ / ₃₂	0924808
	FWO/FWH611	12 ⁶³ / ₆₄	0924809
	FWO/FWH80	12 ²⁹ / ₃₂	0924810

Vertical Outside Parts - Exterior Grille

	Unit No.	Length	Sandtone
	FWO/FWH68	12 ⁹ / ₆₄	0924812
	FWO/FWH611	12 ²³ / ₃₂	0924813
	FWO/FWH80	12 ⁴⁵ / ₆₄	0924814

400 Series Frenchwood® Outswing Doors (1997 to 2016)

Service Replacement

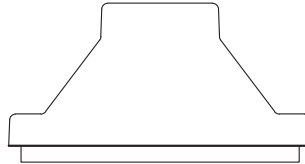
Grilles




Interior Grilles - High Definition (HDN)

Interior Grilles - Taped / Chamfer A

Note:

Permanently applied grilles can only be ordered by Andersen Territory Service Representatives, Andersen Service Dealers and Providers. Contact your local [Andersen Service Provider](#). ✂



	Length	Pine			
		3/4"	7/8"	1 1/8"	2 1/4"
 <p>PINE</p>	22"	2321131	2321136	2321141	2321146
	34"	2321132	2321137	2321142	2321147
	44"	2321133	2321138	2321143	2321148
	60"	2321134	2321139	2321144	2321149
	84"	2321135	2321140	2321145	2321150
	Length	Oak			
		3/4"	7/8"	1 1/8"	2 1/4"
 <p>OAK</p>	22"	2321111	2321116	2321121	2321126
	34"	2321112	2321117	2321122	2321127
	44"	2321113	2321118	2321123	2321128
	60"	2321114	2321119	2321124	2321129
	84"	2321115	2321120	2321125	2321130
	Length	Maple			
		3/4"	7/8"	1 1/8"	2 1/4"
 <p>MAPLE</p>	22"	2321010	2321015	2321020	2321025
	34"	2321011	2321016	2321021	2321026
	44"	2321012	2321017	2321022	2321027
	60"	2321013	2321018	2321023	2321028
	84"	2321014	2321019	2321024	2321029

Hardware

Trim Set Hardware / Vintage

Estate™ Lever Handle with Screws (1988 to 1999)

Note:

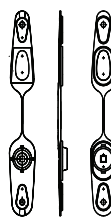
Use current Newbury® lever handle with screws for replacement ([page 68](#)).

Trim Set Gasket (1988 to 1999)

Note:

Current Metro™ gasket is Tribeca® on [page 70](#).

Current Estate™ gasket is on [page 97](#).



Metro™

2962513



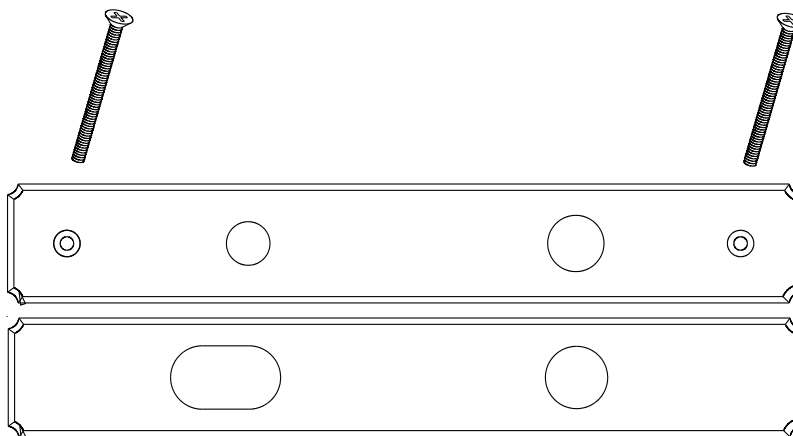
Estate™

2962512

Estate™ Escutcheon Plates / Active / Passive (1988 to 1999)

Interior Active

Exterior Active



Note:

Use the current vintage Newbury® hardware set as replacement. [page 78](#)

Finish

Bright Brass

Chrome

Antique Brass

Active

NA

Passive

NA

Set Screw Package - Handle (1990 to 1999)



Package includes:

1 - 6 mm screw set (silver)

1 - allen wrench

Current handle set screw package is on [page 97](#)

Silver

2579538

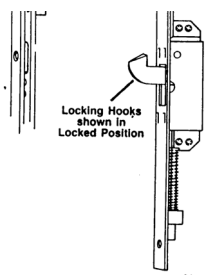
400 Series Frenchwood® Outswing Doors (1997 to 2016)

Service Replacement

Hardware

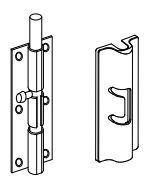
Lock Mechanisms - Tapered

Lock Mechanism - Tapered

 <p>Locking Hooks shown in Locked Position</p>	Note: Use left hand on right hand outswing doors and right hand on left hand outswing doors. Outswing usage is opposite of inswing.	Unit No.	Left	Right
		FWO68	2578193	2578192
		FWO611	2578195	2578194
		FWO76	2578198	2578199
		FWO80	2578197	2578196

Lock Bolt with Cover

Barrel Bolt Kit

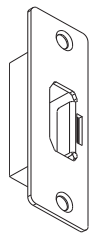


	Note: Used on units from 2000–2002.	Finish	Order No.
		Stone	2579799
		White	2579797
		Brass	2579798

Cover - Lock Bolt

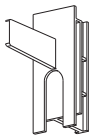
Note: Bolt covers are no longer sold separately. To replace, order bolt and cover.
--

Hook Bolt Parts / Vintage

Hook Bolt Receiver (1998 to 2003)

Note: Zinc dichromate (gold color) finish. Current hook bolt receivers page 102			
	Single	Upper AP/Lower PA	Upper PA/Lower AP
	2579804	2579861	2579862

Blocker - Hook Bolt (1998 to 2003)

	Order No.
	2579809

Hardware

Flush Bolt Parts / Vintage

Flush Bolt Receiver (2002 to 2003)

Note:

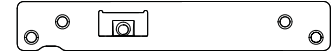
Zinc dichromate finish.

Current flush bolt receivers [page 102](#)



Head AP/Sill PA

2579883



Head PA/Sill AP

2579884

Flush Bolt Receiver (1998 to 2003)



Head AP/Sill PA

2579807



Head PA/Sill AP

2579808

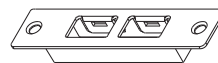
Latch Bolt Parts / Vintage

Latch Bolt Receiver (1998 to 2003)

Note:

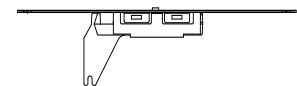
Zinc dichromate finish.

If marked as NA replace with current latch bolt receivers [page 102](#)



Single

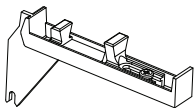
2579803



AP/PA

NA

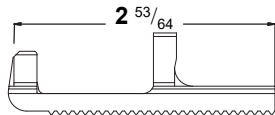
Blocker - Latch (1998 to 2003)



Order No.

2579395

Blocker - Plastic Insert (1998 to 2016)



Note:

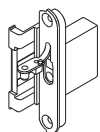
Also used with current [latch blocker](#).

Order No.

2579539

Hinge Parts

Hinge Receiver with Screws



Note:

Hinge receiver replacement is not recommended.

Color

Order No.

White

N/A

Terratone

N/A

Sandtone

N/A

Forest Green

N/A

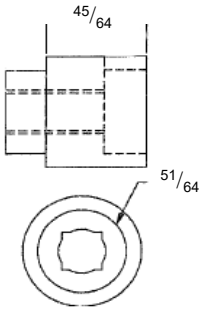
400 Series Frenchwood® Outswing Doors (1997 to 2016)

Service Replacement

Hardware

Miscellaneous Hardware Parts

Handle Extender (1988 to 1999)



Note:

Use the following for replacement:

1. Current vintage interior handle in the desired finish (see handles in Hardware Collections starting on [page 68](#)).
2. Current vintage handle extender in the desired finish see [page 106](#)
3. Current vintage nylon bushings
Tribeca® see [page 71](#)
All other hardware see [page 95](#)

Finish

Order No.



Antique Brass

N/A

Bright Brass

Polished Chrome

Frames

Corner Lock - Extension Jamb		
Corner Lock - Extension Jamb / Head		
		Order No.
		2579392
Corner Lock - Extension Jamb / Sill		
		Order No.
		2579393

Service Guides		
Note: Contact your local Andersen Service Provider .		
Astragal		
	Description	Guide No.
	Passive Panel Astragal Replacement	001