

What's in This Section

Single, 2-Panel and Stationary	Page 3
Parts Illustration	3
Parts Illustration - Interior View	3
Parts Illustration - Exterior View	4
Parts Illustration - Single Panel	5
Parts Illustration - 2-Panel / Center-Hinged	6
Parts Illustration - 2-Panel / Active/Passive and Passive/Active	7
Colors - Exterior	8
Colors/Species/Finishes - Interior	9
Unit Sizes	10
Standard and Custom Door Sizes	10
E-Series Product Label	10
Unit Size Chart - Traditional 1-Panel (SP1)	11
Unit Size Chart - Traditional 2-Panel (SP1)	12
Unit Size Chart - Sidelight (Sash & Direct-Set)	13
Panels - Active	14
Active Panel Graphic	14
Active Panel Size Table	15
Active Panels	16
Panels - Passive	17
Passive Panel Graphic	17
Passive Panel Size Table	18
Passive Panels	19
Panel Astragal - Passive	20
Astragal Parts	21
Panels - Stationary / Sidelight	24
Stationary / Sidelight Panel Graphic	24
Stationary / Sidelight Panel Size Table	25
Stationary / Sidelight Panels	26
Shared Panel Parts	27
Glass Stops	27
Weatherstrip	27
Receiver Strip	27
Panel Cap	28
Glass	29
Glass	29
Insect Screens	30

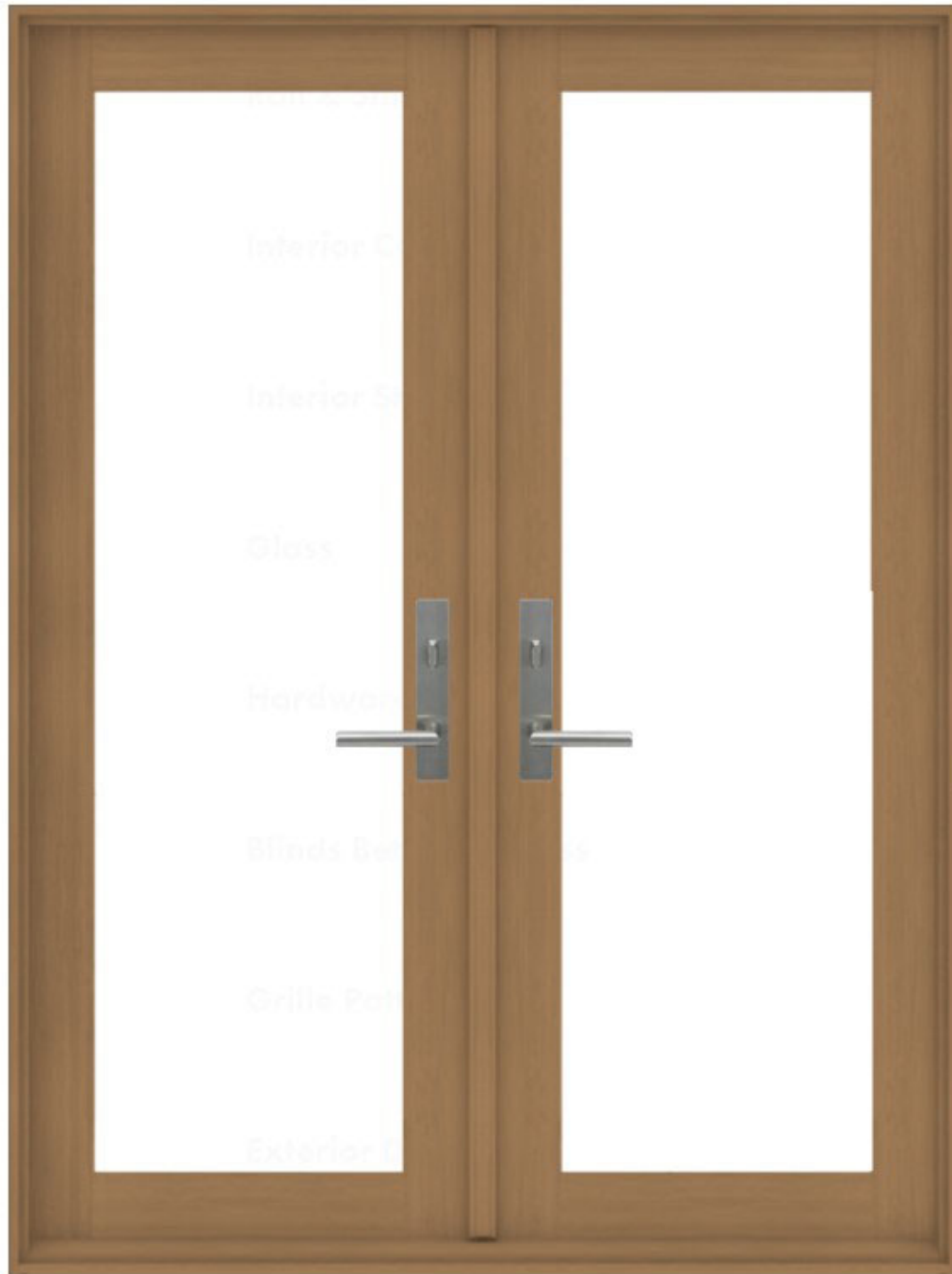
Insect Screen Graphic - Top Hung Gliding	30
Insect Screen Graphic - Hinged	31
Insect Screen Graphic - Concealed (Retractable)	32
Grilles	33
Grille Options	33
Hardware	34
Andersen® Half Trim Set Kits - Interior	34
Andersen® Half Trim Set Kits - Exterior	35
Construction Trim Set	36
Andersen® Hardware - Tribeca®	37
Andersen® Hardware - Anvers®	42
Andersen® Hardware - Albany	45
Andersen® Hardware - Newbury®	48
Andersen® Hardware - Covington™	52
Andersen® Hardware - Whitmore®	55
Andersen® Hardware - Encino®	59
Andersen® Hardware - Yuma®	62
Designer Hardware - FSB®	65
Designer Hardware - Baldwin®	71
Designer Hardware - Ashley Norton	76
Yale® Assure Lock®	80
Andersen® Shared Trim Set Parts	83
Andersen® Shared Andersen® Key Lock Parts	85
Lock Mechanism	87
Strikes	89
Latch Bolt Parts	90
Hinge Color Chart	91
Hinge Parts	92
Miscellaneous Hardware Parts	93
Fasteners	94
Frames	95
Frame Assembly Illustration / Single (Active)	95
Frame Assembly Illustration / Single (Stationary)	96
Frame Assembly Illustration / Double (AP)	97
Frames	98
Installation Flange	99
Weatherstrip	100
Sill Parts	101

E-Series Hinged Doors (March 2018 to Present)

Single, 2-Panel and Stationary

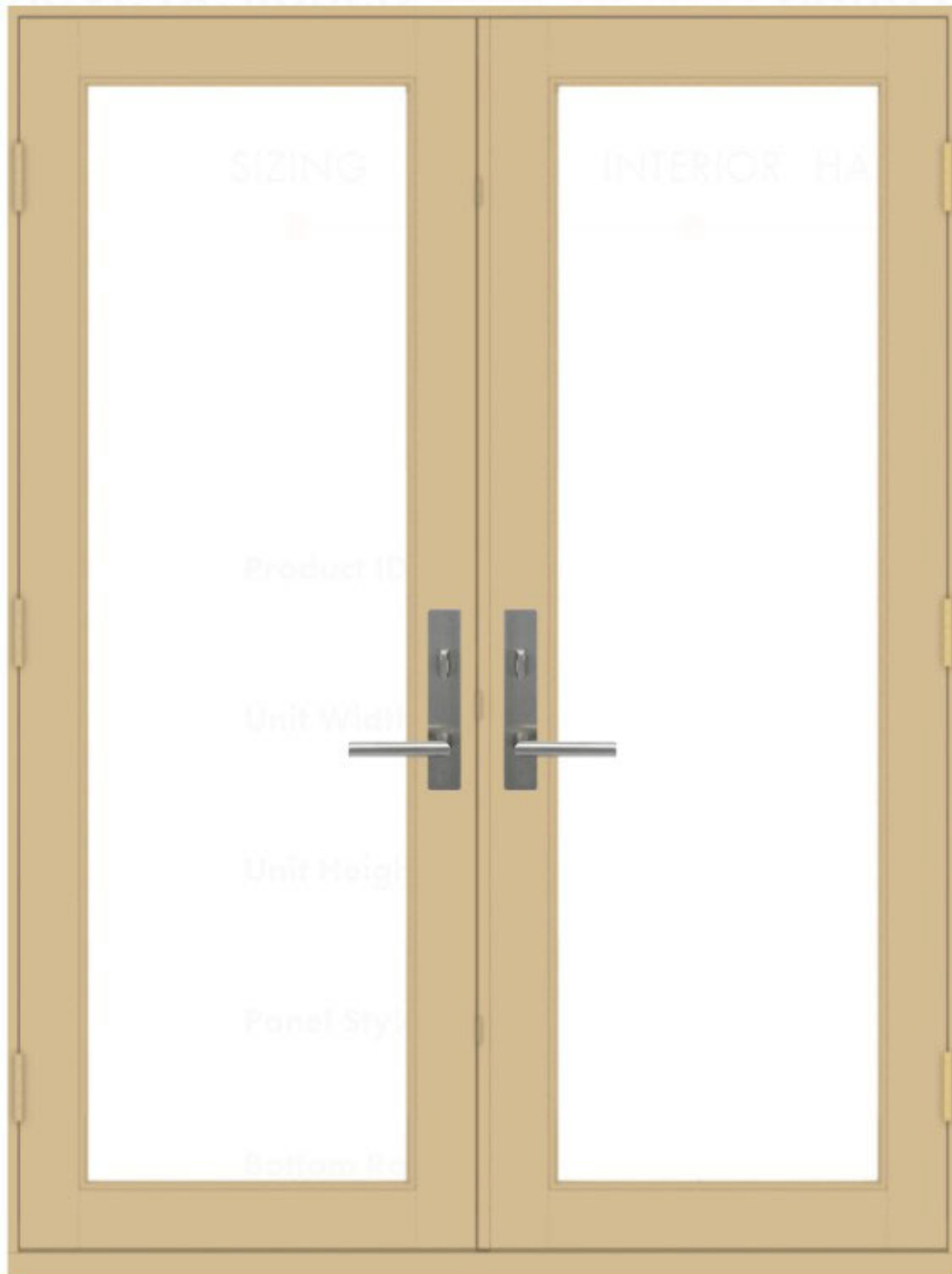
Parts Illustration

Parts Illustration - Interior View



Parts Illustration

Parts Illustration - Exterior View



E-Series Hinged Doors (March 2018 to Present)

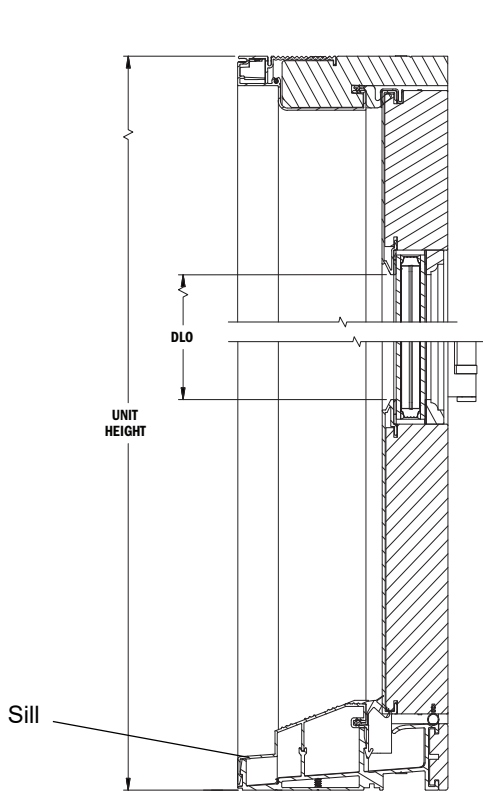
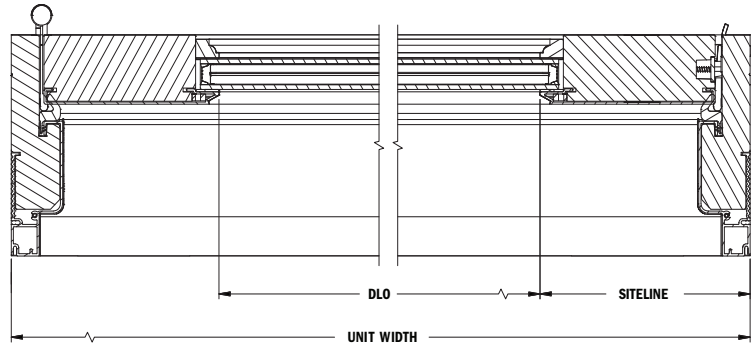
Single, 2-Panel and Stationary

Parts Illustration

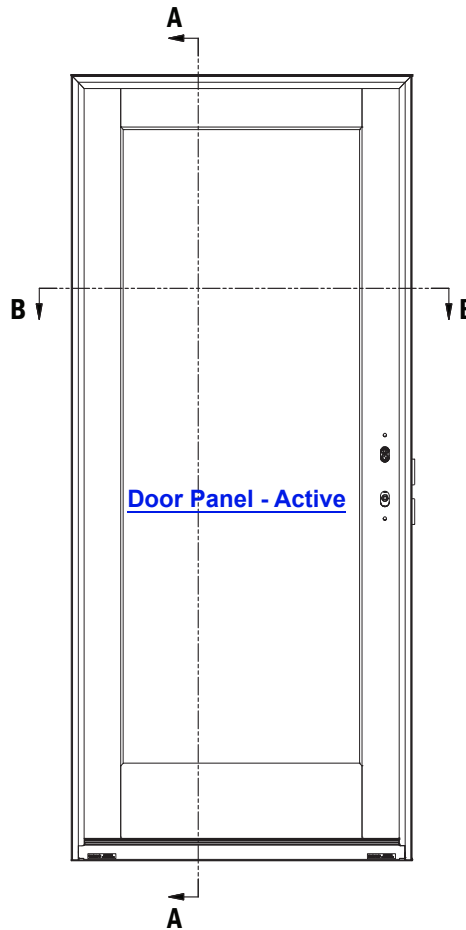
Parts Illustration - Single Panel

Note:

Left-hand, right-hand, and stationary doors are available.



VIEW SHOWN WITH HI-PERFORMANCE SILL



E-Series Hinged Door Unit Parts - Single Panel

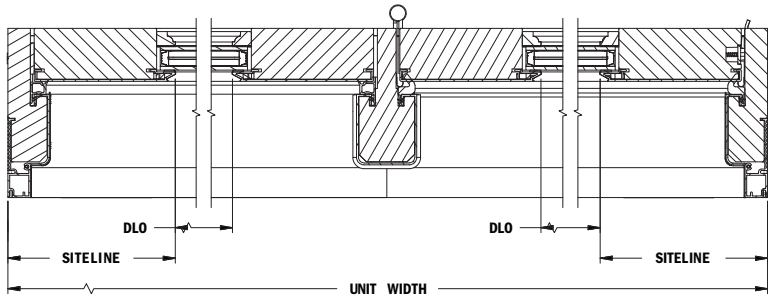
Unit viewed from exterior.

Parts Illustration

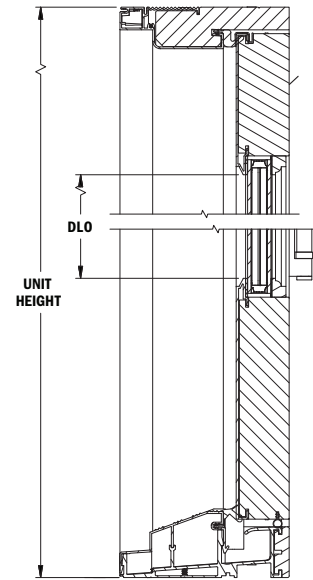
Parts Illustration - 2-Panel / Center-Hinged

Note:

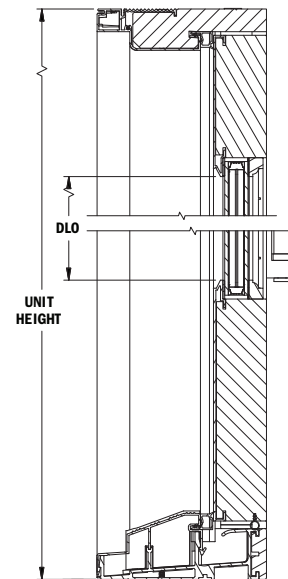
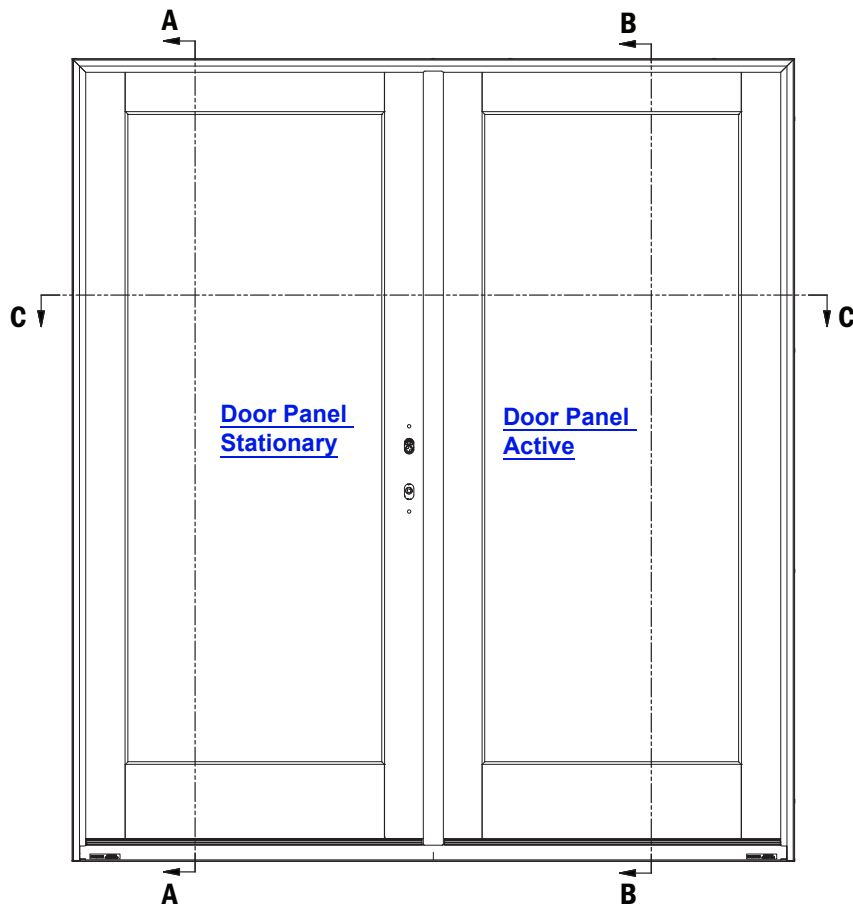
Left-hand, right-hand and stationary doors are available. Illustration shows ASL door.



SECTION C-C
ASL HANDING SHOWN



SECTION A-A



SECTION B-B

E-Series Hinged Door Unit Parts - 2-Panel, Center-Hinged

Unit viewed from exterior.

E-Series Hinged Doors (March 2018 to Present)

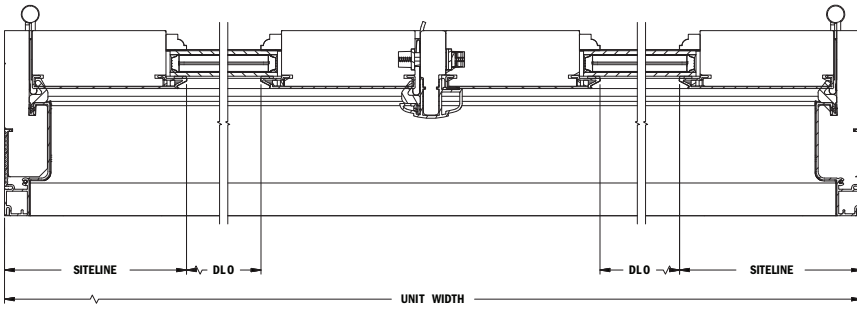
Single, 2-Panel and Stationary

Parts Illustration

Parts Illustration - 2-Panel / Active/Passive and Passive/Active

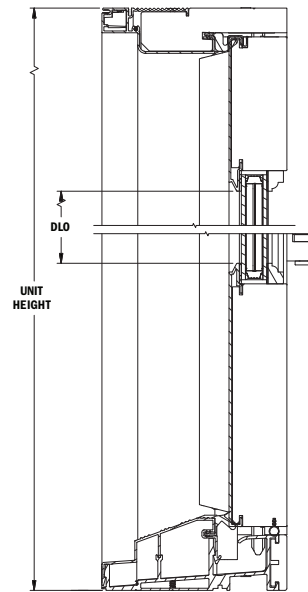
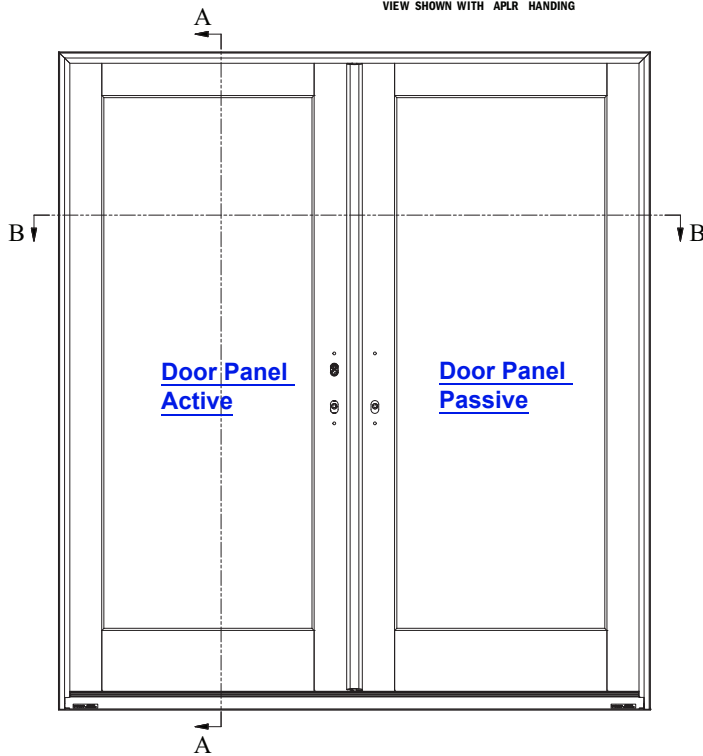
Note:

Left-hand, right-hand, and stationary doors are available. Illustration shows AP door.

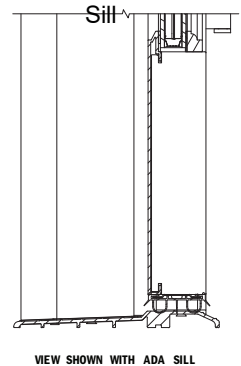


SECTION B-B
VIEW SHOWN WITH APLR HANDING

Side Jamb



SECTION A-A
VIEW SHOWN WITH HI-PERFORMANCE SILL



VIEW SHOWN WITH ADA SILL

- 4. [Threaded Insert](#)
- 5. [Screw](#)

E-Series Hinged Door Unit Parts - 2-Panel Active/Passive and Passive/Active

Unit viewed from exterior.

Parts Illustration

Colors - Exterior

Note:
(*) Anodized Finishes

				Colony White	White	Abalone	Balsa White
			Canvas	Maple Syrup	Harvest Gold	Prairie Grass	
Flagstone	Sandtone	Pebble Tan	Carmel	Terratone	Hot Chocolate	Bourbon	
Acorn	Coffee Bean	Cocoa Bean	Sierra Bronze	Dark Bronze	Clay Canyon	Red Rock	
Cardinal	Bing Cherry	Fire Engine Red	Cinnamon Toast	Olive	Sage	Billiard Green	
Moss	Forest Green	Mallard Green	Spearmint	Aquamarine	Patina	Sky Blue	
Country Blue	Blue Denim	Watercolor Blue	Caribbean Blue	Slate	Moody Blue	Stormy Blue	
Dove Gray	Harbor Mist	Yorktown Pewter	Smokey Gray	Mystic Gray	Dark Ash	Black	
Light Bronze*	Champagne*	Clear Anodized*	Black	Dark Bronze*	Copper*	Medium Bronze*	

E-Series Hinged Doors (March 2018 to Present)

Single, 2-Panel and Stationary

Parts Illustration

Colors/Species/Finishes - Interior

Species Interior Options



Pine



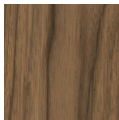
Mixed Grain
Douglas Fir



Oak



Maple



Walnut



Alder



Hickory



Mahogany



Vertical Grain
Douglas Fir



Cherry



White Oak

Stained Interior Options



Clear Coat



Wheat



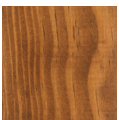
Autumn Oak



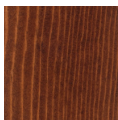
Golden Hickory



Honey



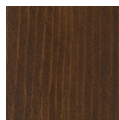
Cinnamon



Russet

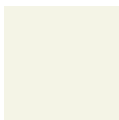


Mocha

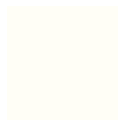


Espresso

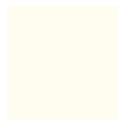
Painted Interior Options



White



Birch Bark



Primed



Canvas



Sandtone



Terratone



Forest Green



Dark Bronze



Dove Gray



Prairie Grass



Red Rock



Cocoa Bean



Black



Anodized Silver ¹

Unit Sizes

Standard and Custom Door Sizes

Note:

E-Series Inswing Doors are available in standard sizes (see standard size charts, [page 11](#)). Replacement parts for some standard doors can be ordered using the numbers listed in this catalog. Many replacement parts for standard doors are made to order. These items are ordered using the Product ID found on the identification label and a description of the part needed. See [Service Guide 9051877](#).

E-Series Inswing Doors are also available in custom sizes in 1/8" increments between the smallest and the largest standard sizes. Most replacement parts for custom-sized doors are made to order and can be ordered with the Product ID found on the identification label and a description of the part needed. See [Service Guide 9051877](#).

E-Series Product Label

Note:

Every E-Series Inswing Door will have an identification label or glass etching containing a unique Product ID. The Product ID on E-Series Inswing Doors will be located at the top of the door frame or etched into the glass. See [Service Guide 9051877](#). The Product ID may be up to 14 digits long (excluding hyphens), depending on the age of the unit. Replacement parts will also get their own unique Product ID. When ordering replacement parts, providing the Product ID ensures that replacement parts match the specifications.

E-Series Hinged Doors (March 2018 to Present)

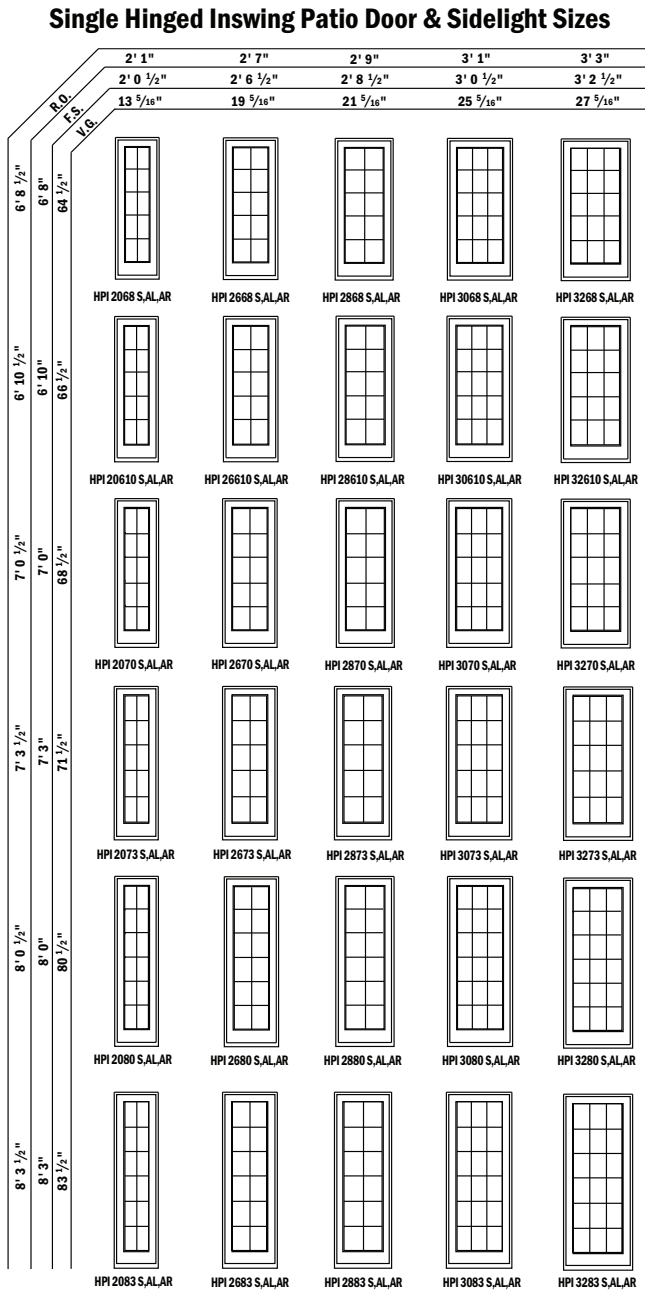
Single, 2-Panel and Stationary

Unit Sizes

Unit Size Chart - Traditional 1-Panel (SP1)

Note:

Unit Dimension refers to overall outside-to-outside frame. Visible glass (V.G) dimensions refers to unobstructed glass (High Performance Sill - 8" Bottom Rail). See Formula Design Sheet (FS00308) for additional DLO detail. See [Size Chart](#).



NOTES
 All doors and sidelights use safety/tempered glass.
 The minimum vertical joining material width for doors and sidelights is 1/2".
 Use structural joining material when necessary or required by code.
 The light patterns illustrated apply to removable interior wood grilles, Full Divided Light, Simulated Divided Light, Decorelle 100, 150 and 400 and Finelight™ Grille-Between-the-Glass. All removable interior wood grilles will be installed in the units unless otherwise specified.
 For a metric conversion in millimeters, multiply dimensions in inches by 25.4.

Inswing Frame Height
 (using Low Threshold Sill)
 = Standard Inswing Frame Height - 15/16"

FORMULA FOR COMBINATION DOORS
 The overall frame dimension (both width and height) is equal to the sum of the individual unit frame dimensions plus joining material dimension(s).
 The overall rough opening (both width and height) is equal to the overall frame dimensions plus 1/4" on all sides.
 Any unit within each combination can be operating or stationary except for direct-set units and transoms.

E-Series Hinged Door Unit Sizes - Traditional Single Hinged Inswing (SP1)

Unit viewed from exterior.

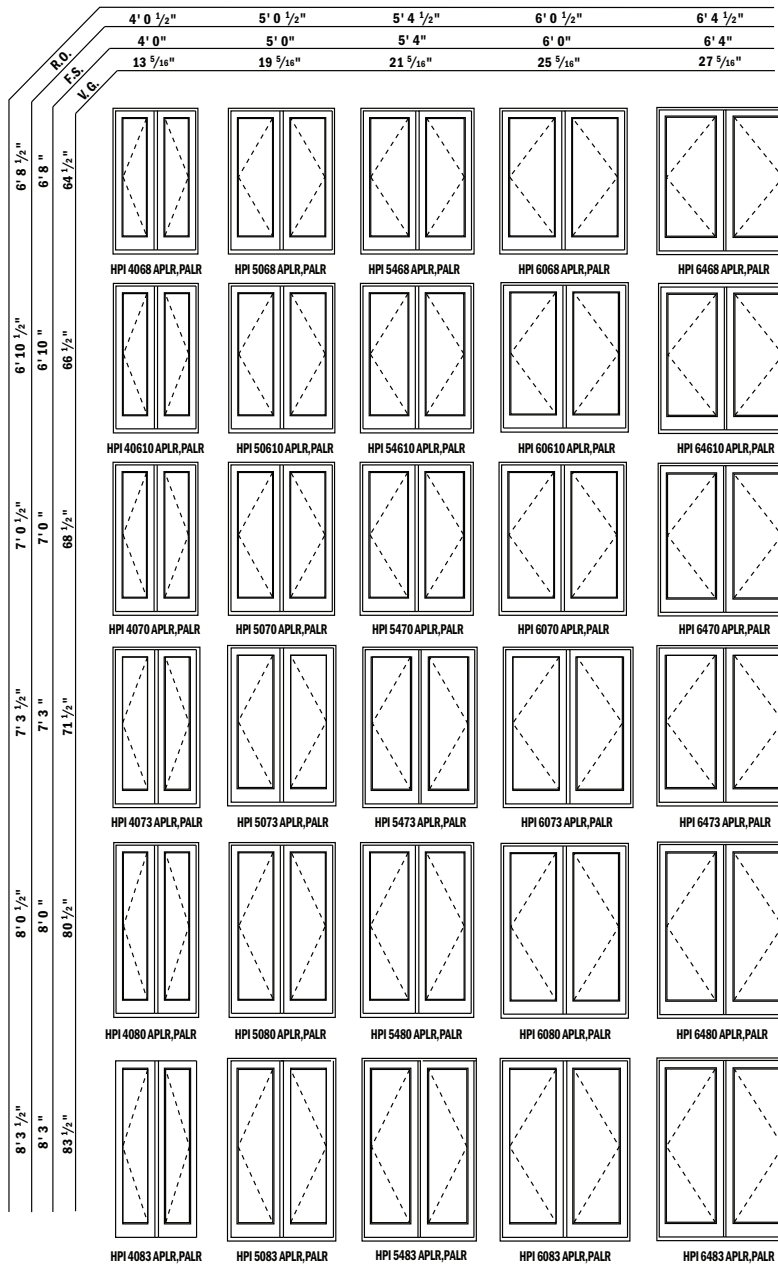
Unit Sizes

Unit Size Chart - Traditional 2-Panel (SP1)

Note:

Unit Dimension refers to overall outside-to-outside frame. Visible glass (V.G) dimensions refers to unobstructed glass (High Performance Sill - 8" Bottom Rail). See Formula Design Sheet (FS00308) for additional DLO detail. See [Size Chart](#).

Double Hinged Inswing Patio Door Sizes



NOTES

All doors and sidelights use safety/tempered glass.

The minimum vertical joining material width for doors and sidelights is 1/2".

Use structural joining material when necessary or required by code.

For a metric conversion in millimeters, multiply dimensions in inches by 25.4.

Inswing Frame Height
(using Low Threshold Sill)

= Standard Inswing Frame Height - 15/16"

FORMULA FOR COMBINATION DOORS

The overall frame dimension (both width and height) is equal to the sum of the individual unit frame dimensions plus joining material dimension(s).

The overall rough opening (both width and height) is equal to the overall frame dimensions plus 1/4" on all sides.

Any unit within each combination can be operating or stationary except for direct-set units and transoms.

ALSO AVAILABLE AS:

Stationary Doors SS
Center Post Doors SAR, ASL, SAL, ASR

E-Series Hinged Door Unit Sizes - Traditional Double Hinged Inswing (SP1)

Unit viewed from exterior.

E-Series Hinged Doors (March 2018 to Present)

Single, 2-Panel and Stationary

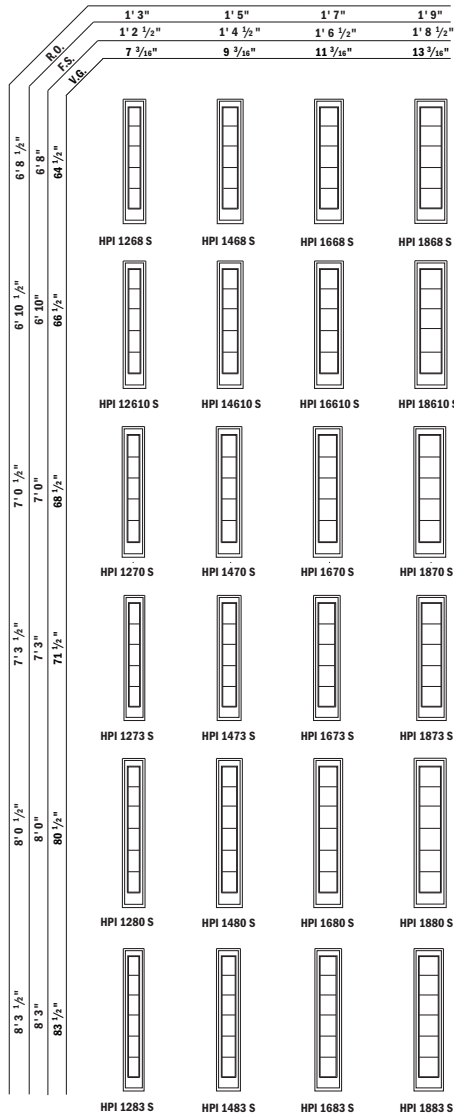
Unit Sizes

Unit Size Chart - Sidelight (Sash & Direct-Set)

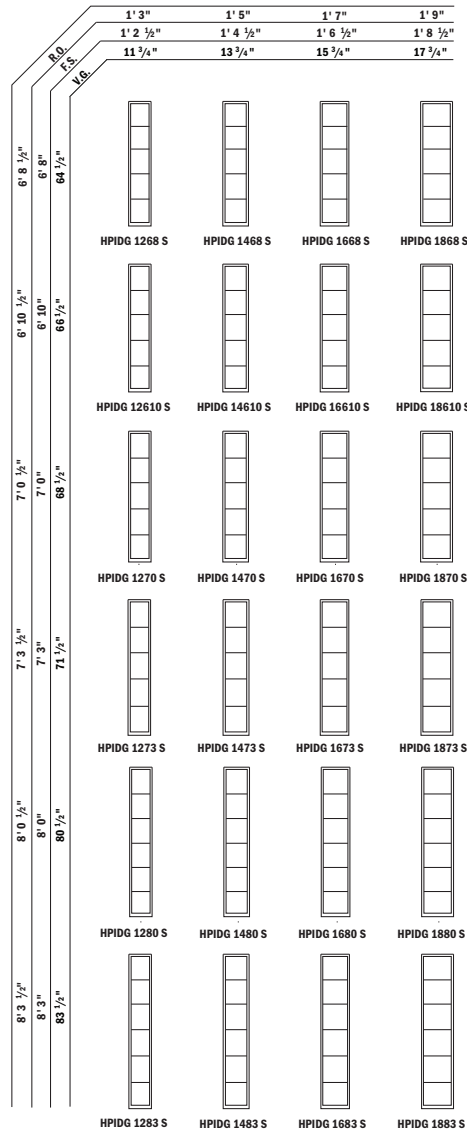
Note:

Unit Dimension refers to overall outside-to-outside frame. Visible glass (V.G) dimensions refers to unobstructed glass (High Performance Sill - 8" Bottom Rail). See Formula Design Sheet (FS00319) for additional DLO detail. See [Size Chart](#).

Inswing Sash-Set Sidelight Sizes



Inswing Direct-Set Sidelight Sizes



NOTES

All doors and sidelights use safety/tempered glass.

The minimum vertical joining material width for doors and sidelights is 1/2". When joining a venting sidelight to a door, the minimum vertical joining material width is 2".

Use structural joining material when necessary or required by code.

The light patterns illustrated apply to removable interior wood grilles, Full Divided Light, Simulated Divided Light, Decorelle 100, 150 and 400 and Finelight™ Grilles-Between-the-Glass. All removable interior wood grilles will be installed in the units unless otherwise specified.

For a metric conversion in millimeters, multiply dimensions in inches by 25.4.

Inswing Frame Height

(using Low Threshold Sill)

= Standard Inswing Frame Height - 15/16"

FORMULA FOR COMBINATION DOORS

The overall frame dimension (both width and height) is equal to the sum of the individual unit frame dimensions plus joining material dimension(s).

The overall rough opening (both width and height) is equal to the overall frame dimensions plus 1/4" on all sides.

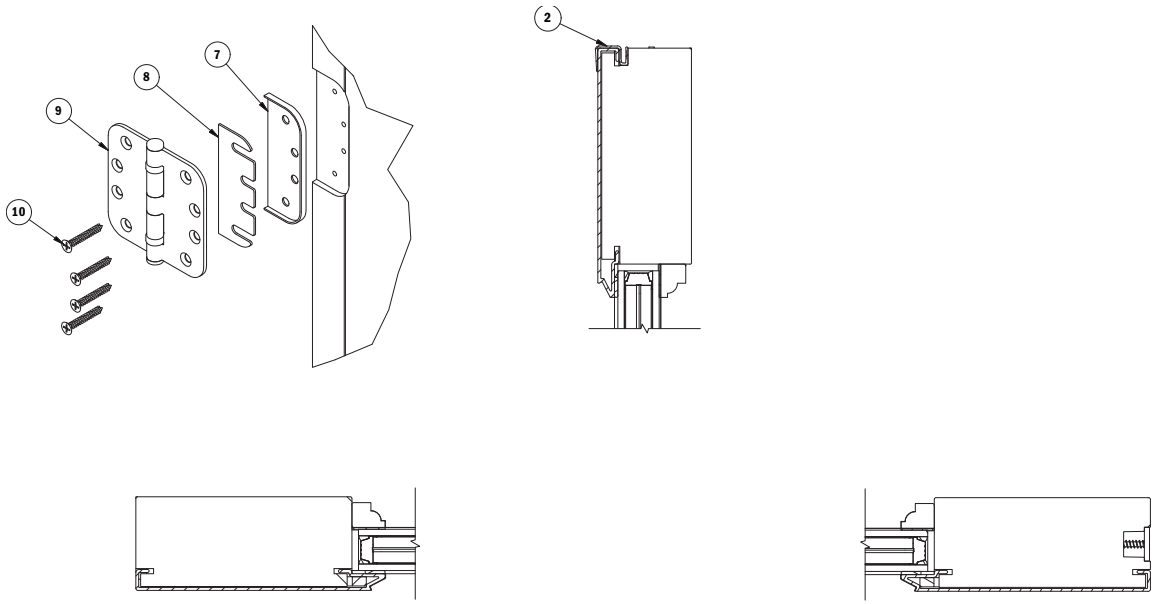
Any unit within each combination can be operating or stationary except for direct-set units and transoms.

Panels - Active

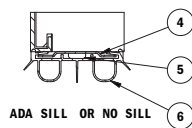
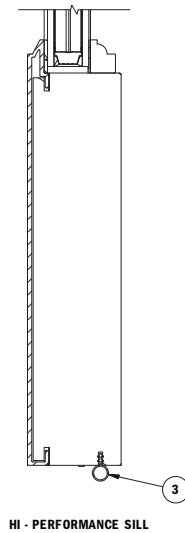
Active Panel Graphic

Note:

See [Architectural Tools](#) for additional panel detail. Hardware shown not included.



- 2. Panel Cap
- 3. Weatherstrip
- 4. [Weatherstrip Receiver](#)
- 5. [Screw - Sweep](#)
- 6. [Sweep](#)
- 7. [Hinge Cup](#)
- 8. [Hinge Shim](#)
- 9. [Hinge](#)
- 10. [Screw - Hinge](#)
- 11A. [Screw - Lock](#)
- 11B. [Screw - Lock](#)
- 12. Screw - Panel Cap
- 13. [Lock](#)
- 15. [Lock Adapter](#)



E-Series Hinged Door Active Panel

E-Series Hinged Doors (March 2018 to Present)

Single, 2-Panel and Stationary

Panels - Active

Active Panel Size Table

Note:

Height dimension is for High Performance sill and SP1 panel.

Overall Active Panel is measured outside edge to outside edge of frame.

Unobstructed Glass is dimension from outside edge to outside edge of visible glass only.

Actual Glass is dimension of outside edge to outside edge of glass, including glass that is not visible.

Guide to door types:

A: active panel; **P:** passive panel; **S:** stationary panel

Unit No.	Type	Overall Active Panel (w x h)	Unobstructed Glass (w x h)	Actual Glass (w x h)
AFDI2068	A	22 ¹¹ / ₁₆ × 77 ³ / ₁₆	13 ⁵ / ₁₆ × 64 ¹ / ₂	14 ⁵ / ₁₆ × 65 ¹ / ₂
AFDI20610	A	22 ¹¹ / ₁₆ × 79 ³ / ₁₆	13 ⁵ / ₁₆ × 66 ¹ / ₂	14 ⁵ / ₁₆ × 67 ¹ / ₂
AFDI2070	A	22 ¹¹ / ₁₆ × 81 ³ / ₁₆	13 ⁵ / ₁₆ × 68 ¹ / ₂	14 ⁵ / ₁₆ × 69 ¹ / ₂
AFDI2073	A	22 ¹¹ / ₁₆ × 84 ³ / ₁₆	13 ⁵ / ₁₆ × 71 ¹ / ₂	14 ⁵ / ₁₆ × 72 ¹ / ₂
AFDI2080	A	22 ¹¹ / ₁₆ × 93 ³ / ₁₆	13 ⁵ / ₁₆ × 80 ¹ / ₂	14 ⁵ / ₁₆ × 81 ¹ / ₂
AFDI2083	A	22 ¹¹ / ₁₆ × 93 ³ / ₁₆	13 ⁵ / ₁₆ × 83 ¹ / ₂	14 ⁵ / ₁₆ × 84 ¹ / ₂
AFDI2668	A	28 ¹¹ / ₁₆ × 77 ³ / ₁₆	19 ⁵ / ₁₆ × 64 ¹ / ₂	20 ⁵ / ₁₆ × 65 ¹ / ₂
AFDI26610	A	28 ¹¹ / ₁₆ × 79 ³ / ₁₆	19 ⁵ / ₁₆ × 66 ¹ / ₂	20 ⁵ / ₁₆ × 67 ¹ / ₂
AFDI2670	A	28 ¹¹ / ₁₆ × 81 ³ / ₁₆	19 ⁵ / ₁₆ × 68 ¹ / ₂	20 ⁵ / ₁₆ × 69 ¹ / ₂
AFDI2673	A	28 ¹¹ / ₁₆ × 84 ³ / ₁₆	19 ⁵ / ₁₆ × 71 ¹ / ₂	20 ⁵ / ₁₆ × 72 ¹ / ₂
AFDI2680	A	28 ¹¹ / ₁₆ × 93 ³ / ₁₆	19 ⁵ / ₁₆ × 80 ¹ / ₂	20 ⁵ / ₁₆ × 81 ¹ / ₂
AFDI2683	A	28 ¹¹ / ₁₆ × 93 ³ / ₁₆	19 ⁵ / ₁₆ × 83 ¹ / ₂	20 ⁵ / ₁₆ × 84 ¹ / ₂
AFDI2868	A	30 ¹¹ / ₁₆ × 77 ³ / ₁₆	21 ⁵ / ₁₆ × 64 ¹ / ₂	22 ⁵ / ₁₆ × 65 ¹ / ₂
AFDI28610	A	30 ¹¹ / ₁₆ × 79 ³ / ₁₆	21 ⁵ / ₁₆ × 66 ¹ / ₂	22 ⁵ / ₁₆ × 67 ¹ / ₂
AFDI2870	A	30 ¹¹ / ₁₆ × 81 ³ / ₁₆	21 ⁵ / ₁₆ × 68 ¹ / ₂	22 ⁵ / ₁₆ × 69 ¹ / ₂
AFDI2873	A	30 ¹¹ / ₁₆ × 84 ³ / ₁₆	21 ⁵ / ₁₆ × 71 ¹ / ₂	22 ⁵ / ₁₆ × 72 ¹ / ₂
AFDI2880	A	30 ¹¹ / ₁₆ × 93 ³ / ₁₆	21 ⁵ / ₁₆ × 80 ¹ / ₂	22 ⁵ / ₁₆ × 81 ¹ / ₂
AFDI2883	A	30 ¹¹ / ₁₆ × 93 ³ / ₁₆	21 ⁵ / ₁₆ × 83 ¹ / ₂	22 ⁵ / ₁₆ × 84 ¹ / ₂
AFDI3068	A	34 ¹¹ / ₁₆ × 77 ³ / ₁₆	25 ⁵ / ₁₆ × 64 ¹ / ₂	26 ⁵ / ₁₆ × 65 ¹ / ₂
AFDI30610	A	34 ¹¹ / ₁₆ × 79 ³ / ₁₆	25 ⁵ / ₁₆ × 66 ¹ / ₂	26 ⁵ / ₁₆ × 67 ¹ / ₂
AFDI3070	A	34 ¹¹ / ₁₆ × 81 ³ / ₁₆	25 ⁵ / ₁₆ × 68 ¹ / ₂	26 ⁵ / ₁₆ × 69 ¹ / ₂
AFDI3073	A	34 ¹¹ / ₁₆ × 84 ³ / ₁₆	25 ⁵ / ₁₆ × 71 ¹ / ₂	26 ⁵ / ₁₆ × 72 ¹ / ₂
AFDI3080	A	34 ¹¹ / ₁₆ × 93 ³ / ₁₆	25 ⁵ / ₁₆ × 80 ¹ / ₂	26 ⁵ / ₁₆ × 81 ¹ / ₂
AFDI3083	A	34 ¹¹ / ₁₆ × 93 ³ / ₁₆	25 ⁵ / ₁₆ × 83 ¹ / ₂	26 ⁵ / ₁₆ × 84 ¹ / ₂
AFDI3268	A	36 ¹¹ / ₁₆ × 77 ³ / ₁₆	27 ⁵ / ₁₆ × 64 ¹ / ₂	28 ⁵ / ₁₆ × 65 ¹ / ₂
AFDI32610	A	36 ¹¹ / ₁₆ × 79 ³ / ₁₆	27 ⁵ / ₁₆ × 66 ¹ / ₂	28 ⁵ / ₁₆ × 67 ¹ / ₂
AFDI3270	A	36 ¹¹ / ₁₆ × 81 ³ / ₁₆	27 ⁵ / ₁₆ × 68 ¹ / ₂	28 ⁵ / ₁₆ × 69 ¹ / ₂
AFDI3273	A	36 ¹¹ / ₁₆ × 84 ³ / ₁₆	27 ⁵ / ₁₆ × 71 ¹ / ₂	28 ⁵ / ₁₆ × 72 ¹ / ₂
AFDI3280	A	36 ¹¹ / ₁₆ × 93 ³ / ₁₆	27 ⁵ / ₁₆ × 80 ¹ / ₂	28 ⁵ / ₁₆ × 81 ¹ / ₂
AFDI3283	A	36 ¹¹ / ₁₆ × 93 ³ / ₁₆	27 ⁵ / ₁₆ × 83 ¹ / ₂	28 ⁵ / ₁₆ × 84 ¹ / ₂

Panels - Active

Active Panels

Panel - Active

Low-E4®

Low-E4® SmartSun™

Low-E4® Triple-Pane

Low-E4® SmartSun™ Triple-Pane

Low-E4® Enhanced Triple-Pane

Low-E4® Enhanced Triple Pane HeatLock™

Low-E4® HeatLock™

Low-E4® SmartSun™ Enhanced Triple Pane HeatLock™

Low-E4® SmartSun™ HeatLock™

Low-E4® SmartSun™ Enhanced Triple Pane HeatLock™

TEMPERED
16 CFR 1201 II
ANSI Z97.1-2009
SGCC XXXX
CIG-XX Xmm MM/DD/YR
CAN/CGSB 12.1-M9 0

Note:
Tempered safety glass is standard on patio doors. Replacement panel for standard and custom-sized doors is made to order.

[Exterior color options](#)
[Interior species/finish/color options](#)

Glass options (See Logo/Etching Examples):

Low-E4®	Low-E4® HeatLock	Low-E4® Triple-Pane
Low-E4® SmartSun™	Low-E4® Smart-Sun HeatLock	Low-E4® Smart-Sun Triple-Pane
Low-E4® Passive Sun	Low-E4® Sun Heat-Lock	Low-E4® Enhanced Triple-Pane
Low-E4® Sun	Low-E4® HeatLock Tempered	Low-E4® Smart-Sun Enhanced Triple-Pane
Low-E4® Tempered	Obscure	Low-E4® Enhanced Triple-Pane Heat-Lock
Low-E4® SmartSun Tempered	Cascade	Low-E4® Smart-Sun Enhanced Triple-Pane HeatLock
Low-E4® Passive Sun Tempered	Fern	
Low-E4® Sun Tempered	Reed	

To order, state:

Product ID (from product label, see [Service Guide 9051877](#))

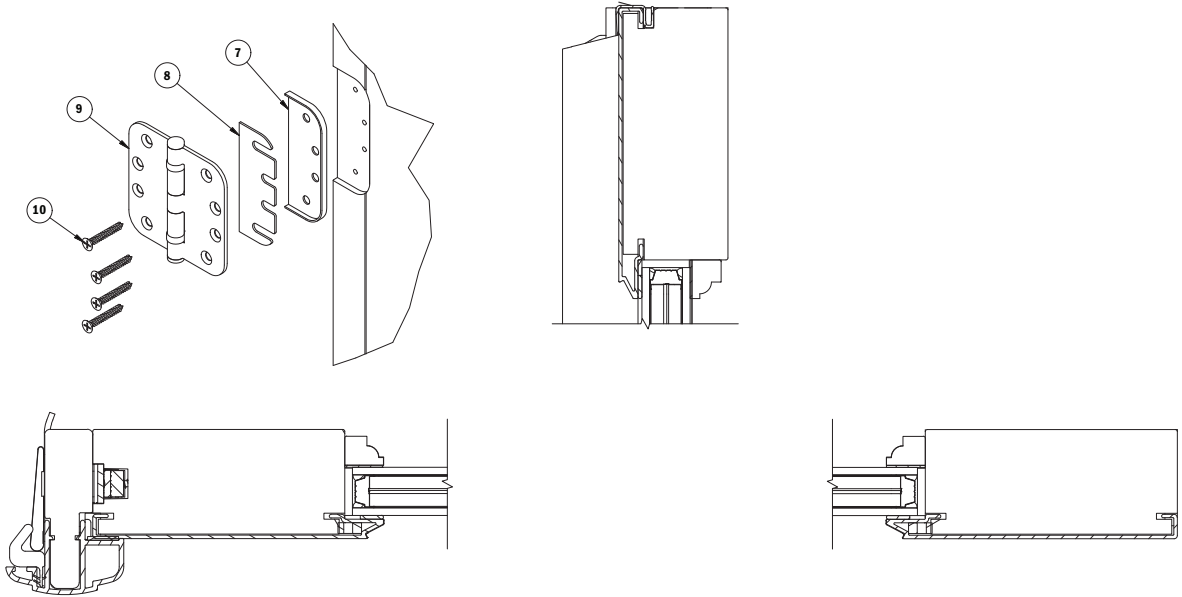
OR

1. Unit or frame size (AFDI XXXX or frame W x H dimensions)
2. Description of part (Active Panel)
3. Panel Style (Traditional, Contemporary)
4. [Panel Options](#) (Mid-Rail)
5. Handing (Right, Left)
6. Exterior color of panel
7. Interior wood species of panel
8. Interior finish/color of panel
9. Glazing

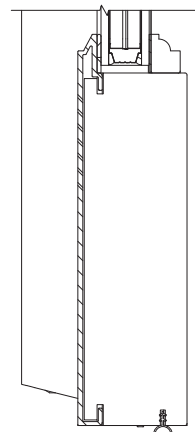
Passive Panel Graphic

Note:

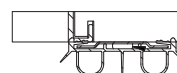
See [Architectural Tools](#) for additional panel detail. Hardware shown not included.



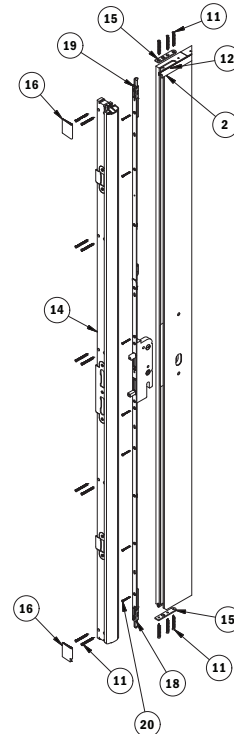
- 2. Panel Cap
- 3. Weatherstrip
- 4. [Weatherstrip Receiver](#)
- 5. [Screw - Sweep](#)
- 6. [Sweep](#)
- 7. [Hinge Cup](#)
- 8. [Hinge Shim](#)
- 9. [Hinge](#)
- 10. [Screw - Hinge](#)
- 11A. [Screw - Lock](#)
- 11B. [Screw - Lock](#)
- 12. [Screw - Panel Cap](#)
- 13. [Lock](#)
- 15. [Lock Adapter](#)
- 16. [Weatherstrip Jamb Pad](#)
- 18. [Passive Lock](#)
- 19. [Passive Lock Extension](#)
- 20. [Screw - Passive Lock](#)



HI - PERFORMANCE SILL



ADA SILL



E-Series Hinged Door AP/PA Passive Panel

Panels - Passive

Passive Panel Size Table

Note:

Height dimension is for High Performance sill and SP1 panel.

Overall Passive Panel is measured outside edge to outside edge of frame.

Unobstructed Glass is dimension from outside edge to outside edge of visible glass only.

Actual Glass is dimension of outside edge to outside edge of glass, including glass that is not visible.

Guide to door types

A: active panel; **P:** passive panel; **S:** stationary panel

Unit No.	Type	Overall Passive Panel (w x h)	Unobstructed Glass (w x h)	Actual Glass (w x h)
AFDI2068	P	22 ¹¹ / ₁₆ × 77 ³ / ₁₆	13 ⁵ / ₁₆ × 64 ¹ / ₂	14 ⁵ / ₁₆ × 65 ¹ / ₂
AFDI20610	P	22 ¹¹ / ₁₆ × 79 ³ / ₁₆	13 ⁵ / ₁₆ × 66 ¹ / ₂	14 ⁵ / ₁₆ × 67 ¹ / ₂
AFDI2070	P	22 ¹¹ / ₁₆ × 81 ³ / ₁₆	13 ⁵ / ₁₆ × 68 ¹ / ₂	14 ⁵ / ₁₆ × 69 ¹ / ₂
AFDI2073	P	22 ¹¹ / ₁₆ × 84 ³ / ₁₆	13 ⁵ / ₁₆ × 71 ¹ / ₂	14 ⁵ / ₁₆ × 72 ¹ / ₂
AFDI2080	P	22 ¹¹ / ₁₆ × 93 ³ / ₁₆	13 ⁵ / ₁₆ × 80 ¹ / ₂	14 ⁵ / ₁₆ × 81 ¹ / ₂
AFDI2083	P	22 ¹¹ / ₁₆ × 93 ³ / ₁₆	13 ⁵ / ₁₆ × 83 ¹ / ₂	14 ⁵ / ₁₆ × 84 ¹ / ₂
AFDI2668	P	28 ¹¹ / ₁₆ × 77 ³ / ₁₆	19 ⁵ / ₁₆ × 64 ¹ / ₂	20 ⁵ / ₁₆ × 65 ¹ / ₂
AFDI26610	P	28 ¹¹ / ₁₆ × 79 ³ / ₁₆	19 ⁵ / ₁₆ × 66 ¹ / ₂	20 ⁵ / ₁₆ × 67 ¹ / ₂
AFDI2670	P	28 ¹¹ / ₁₆ × 81 ³ / ₁₆	19 ⁵ / ₁₆ × 68 ¹ / ₂	20 ⁵ / ₁₆ × 69 ¹ / ₂
AFDI2673	P	28 ¹¹ / ₁₆ × 84 ³ / ₁₆	19 ⁵ / ₁₆ × 71 ¹ / ₂	20 ⁵ / ₁₆ × 72 ¹ / ₂
AFDI2680	P	28 ¹¹ / ₁₆ × 93 ³ / ₁₆	19 ⁵ / ₁₆ × 80 ¹ / ₂	20 ⁵ / ₁₆ × 81 ¹ / ₂
AFDI2683	P	28 ¹¹ / ₁₆ × 93 ³ / ₁₆	19 ⁵ / ₁₆ × 83 ¹ / ₂	20 ⁵ / ₁₆ × 84 ¹ / ₂
AFDI2868	P	30 ¹¹ / ₁₆ × 77 ³ / ₁₆	21 ⁵ / ₁₆ × 64 ¹ / ₂	22 ⁵ / ₁₆ × 65 ¹ / ₂
AFDI28610	P	30 ¹¹ / ₁₆ × 79 ³ / ₁₆	21 ⁵ / ₁₆ × 66 ¹ / ₂	22 ⁵ / ₁₆ × 67 ¹ / ₂
AFDI2870	P	30 ¹¹ / ₁₆ × 81 ³ / ₁₆	21 ⁵ / ₁₆ × 68 ¹ / ₂	22 ⁵ / ₁₆ × 69 ¹ / ₂
AFDI2873	P	30 ¹¹ / ₁₆ × 84 ³ / ₁₆	21 ⁵ / ₁₆ × 71 ¹ / ₂	22 ⁵ / ₁₆ × 72 ¹ / ₂
AFDI2880	P	30 ¹¹ / ₁₆ × 93 ³ / ₁₆	21 ⁵ / ₁₆ × 80 ¹ / ₂	22 ⁵ / ₁₆ × 81 ¹ / ₂
AFDI2883	P	30 ¹¹ / ₁₆ × 93 ³ / ₁₆	21 ⁵ / ₁₆ × 83 ¹ / ₂	22 ⁵ / ₁₆ × 84 ¹ / ₂
AFDI3068	P	34 ¹¹ / ₁₆ × 77 ³ / ₁₆	25 ⁵ / ₁₆ × 64 ¹ / ₂	26 ⁵ / ₁₆ × 65 ¹ / ₂
AFDI30610	P	34 ¹¹ / ₁₆ × 79 ³ / ₁₆	25 ⁵ / ₁₆ × 66 ¹ / ₂	26 ⁵ / ₁₆ × 67 ¹ / ₂
AFDI3070	P	34 ¹¹ / ₁₆ × 81 ³ / ₁₆	25 ⁵ / ₁₆ × 68 ¹ / ₂	26 ⁵ / ₁₆ × 69 ¹ / ₂
AFDI3073	P	34 ¹¹ / ₁₆ × 84 ³ / ₁₆	25 ⁵ / ₁₆ × 71 ¹ / ₂	26 ⁵ / ₁₆ × 72 ¹ / ₂
AFDI3080	P	34 ¹¹ / ₁₆ × 93 ³ / ₁₆	25 ⁵ / ₁₆ × 80 ¹ / ₂	26 ⁵ / ₁₆ × 81 ¹ / ₂
AFDI3083	P	34 ¹¹ / ₁₆ × 93 ³ / ₁₆	25 ⁵ / ₁₆ × 83 ¹ / ₂	26 ⁵ / ₁₆ × 84 ¹ / ₂
AFDI3268	P	36 ¹¹ / ₁₆ × 77 ³ / ₁₆	27 ⁵ / ₁₆ × 64 ¹ / ₂	28 ⁵ / ₁₆ × 65 ¹ / ₂
AFDI32610	P	36 ¹¹ / ₁₆ × 79 ³ / ₁₆	27 ⁵ / ₁₆ × 66 ¹ / ₂	28 ⁵ / ₁₆ × 67 ¹ / ₂
AFDI3270	P	36 ¹¹ / ₁₆ × 81 ³ / ₁₆	27 ⁵ / ₁₆ × 68 ¹ / ₂	28 ⁵ / ₁₆ × 69 ¹ / ₂
AFDI3273	P	36 ¹¹ / ₁₆ × 84 ³ / ₁₆	27 ⁵ / ₁₆ × 71 ¹ / ₂	28 ⁵ / ₁₆ × 72 ¹ / ₂
AFDI3280	P	36 ¹¹ / ₁₆ × 93 ³ / ₁₆	27 ⁵ / ₁₆ × 80 ¹ / ₂	28 ⁵ / ₁₆ × 81 ¹ / ₂
AFDI3283	P	36 ¹¹ / ₁₆ × 93 ³ / ₁₆	27 ⁵ / ₁₆ × 83 ¹ / ₂	28 ⁵ / ₁₆ × 84 ¹ / ₂

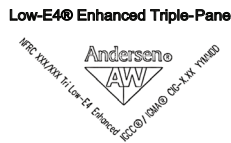
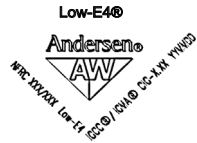
E-Series Hinged Doors (March 2018 to Present)

Single, 2-Panel and Stationary

Panels - Passive

Passive Panels

Panel - Passive / AP/PA



TEMPERED
 UA SGCC XXXX
 16 CFR 1201.11
 ANSI Z97.1-2009
 CIG-XX Xmm MM/DD/YR
 CAN/CGSB 12.1-M9 0

Note:

Tempered safety glass is standard on patio doors. Replacement panel for standard and custom-sized doors is made to order.

Exterior color options

Interior species/finish/color options

Glass options (See Logo/Etching Examples):

Low-E4®	Low-E4® HeatLock	Low-E4® Triple-Pane
Low-E4® SmartSun™	Low-E4® Smart-Sun HeatLock	Low-E4® Smart-Sun Triple-Pane
Low-E4® Passive Sun	Low-E4® Sun Heat-Lock	Low-E4® Enhanced Triple-Pane
Low-E4® Sun	Low-E4® HeatLock Tempered	Low-E4® Smart-Sun Enhanced Triple-Pane
Low-E4® Tempered	Obscure	Low-E4® Enhanced Triple-Pane Heat-Lock
Low-E4® SmartSun Tempered	Cascade	Low-E4® Smart-Sun Enhanced Triple-Pane HeatLock
Low-E4® Passive Sun Tempered	Fern	
Low-E4® Sun Tempered	Reed	

To order, state:

Product ID (from product label, see [Service Guide 9051877](#))

OR

1. Unit or frame size (AFDI XXXX or frame W x H dimensions)
2. Description of part (Passive Panel)
3. Panel Style (Traditional, Contemporary)
4. [Panel Options](#) (Mid-Rail)
5. Handing (Right, Left)
6. Exterior color of panel
7. Interior wood species of panel
8. Interior finish/color of panel
9. Glazing

Panels - Passive

Panel Astragal - Passive

Note:

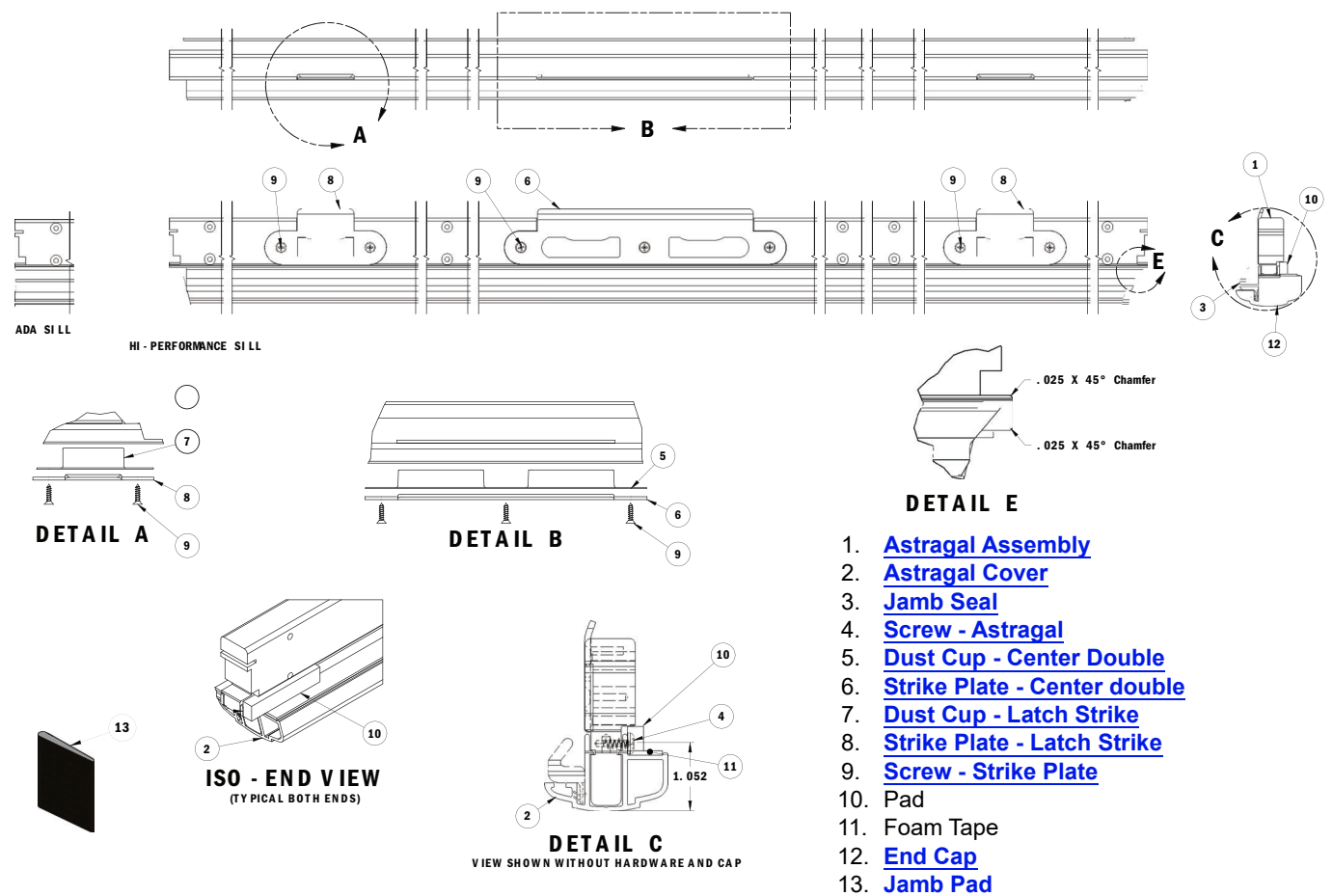
Replacement astragal for standard and custom-sized doors is made to order. The astragal is applied to the passive panel. An astragal for an AP unit is different than an astragal for a PA unit. AP astragal shown.

Exterior color options

Interior species/finish/color options

To order, state:


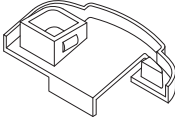
1. Description of Part (Panel Astragal Assembly AP Unit or Panel Astragal Assembly PA Unit)
2. Quantity
3. Exterior color of panel
4. Interior wood species of panel
5. Interior finish/color of panel
6. Product ID (from product label, see [page 10](#))



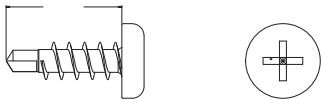
E-Series Hinged Doors (March 2018 to Present)

Single, 2-Panel and Stationary

Panels - Passive

Astragal Parts			
Jamb Seal			
		Length	Dark Bronze
		37	0007220
		74	0007222
		81	0007223
		85	0007224
		97	0007225
		120	0007226
End Cap - AP/PA			
		Color	OBD
		Black	

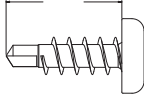

Panels - Passive

Screw / Astragal					
Note: (*) Anodized finishes.					
Description					
8 x 1/2" PH Pan Teks Point SHT MTL ZINC					
					
Color	2604	2605	Color	2604	2605
Colony White	0013440	0K12250	Moss	0073386	0K12290
White	0047477	0K14405	Forest Green	0047474	0K14402
Eagle Abalone	0073381	0K12274	Mallard Green	0073375	0K12260
Balsa White	0073372	0K12255	Spearmint	0093969	0K12283
Canvas	0010019	0K17659	Aquamarine	0093968	0K12282
Maple Syrup	0073382	0K12276	Patina	0093972	0K12289
Harvest Gold	0093966	0K12272	Sky Blue	0093961	0K12262
Prairie Grass	0010022		Country Blue	0013450	0K12258
Flagstone	0013449	0K12257	Blue Denim	0073383	0K12277
Sandtone	0047475	0K14403	Watercolor Blue	0093963	0K12267
Pebble Tan	0013446	0K12252	Caribbean Blue	0093967	0K12280
Carmel	0073378	0K12266	Slate	0013453	0K12278
Terratone	0047476	0K14404	Moody Blue	0093962	0K12263
Hot Chocolate	0073384	0K12279	Stormy Blue	0073373	0K12256
Bourbon	0093973	0K12293	Dove Gray	0010020	0K17660
Acorn	0073388	0K12292	Harbor Mist	0013452	0K12271
Coffee Bean	0073390	0K12295	Yorktown Pewter	0093965	0K12270
Cocoa Bean	0010021	0K17659	Smokey Gray	0073387	0K12291
Dark Bronze	0049367	0K20863	Mystic Gray	0073393	0K12298
Clay Canyon	0073379	0K12268	Dark Ash	0073392	0K12297
Cardinal Red		0K12287	Black	0010018	0K14402
Bing Cherry		0K12286	Clear Anodized*	By description	
Fire Engine Red		0K12288	Champagne*	0074524	
Cinnamon Toast	0013451	0K12261	Light Bronze*	0074525	
Red Rock	0010023	0K17661	Medium Bronze*	0074526	
Olive	0073374	0K12259	Copper*	0074536	
Sage	0073391	0K12296	Dark Bronze*	0049367	
Billiard Green	0093964	0K12269	Black*	By description	

E-Series Hinged Doors (March 2018 to Present)

Single, 2-Panel and Stationary

Panels - Passive

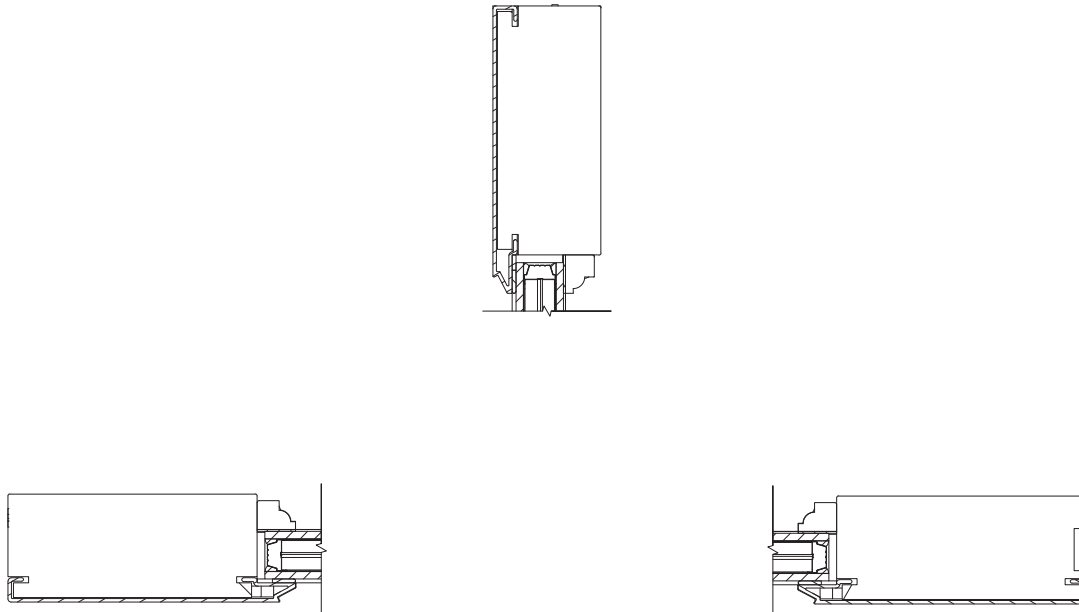
Screw / Astragal					
Note: (*) Anodized finishes.					
Description					
8 x 1/2" PH Pan Teks Point SHT MTL ZINC					
					
Color	2604	2605	Color	2604	2605
Eagle Black	0073371	0K12275			
Eagle Cappuccino	0073389	0K12294			
Bronze	0013445	0K12251			
Eagle Linen	0073394	0K12299			
Eagle Blue Mist	0093970	0K12284			
Eagle Pink Chablis	0093971	0K12285			
Eagle Butterscotch	0073376	0K12264			
Eagle Elephant	0073385	0K12281			
Eagle Chocolate Chip	0073377	0K12265			
Eagle Forest Green	0013447	0K12253			
Antique White	0013448	0K12254			
Eagle Gray Flannel	0073380	0K12273			

Panels - Stationary / Sidelight

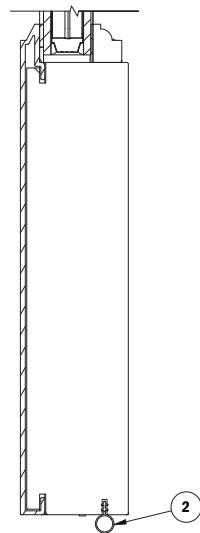
Stationary / Sidelight Panel Graphic

Note:

Right hand stationary panel shown. See [Architectural Tools](#) for additional panel detail.



2. [Weatherstrip](#)



INSWING HI-PERFORMANCE SILL
LH PANEL

E-Series Hinged Door Stationary/Sidelight Panel

E-Series Hinged Doors (March 2018 to Present)

Single, 2-Panel and Stationary

Panels - Stationary / Sidelight

Stationary / Sidelight Panel Size Table

Note:

Height dimension is for High Performance sill and SP1 panel.

Overall Stationary Panel is measured outside edge to outside edge of frame.

Unobstructed Glass is dimension from outside edge to outside edge of visible glass only.

Actual Glass is dimension of outside edge to outside edge of glass, including glass that is not visible.

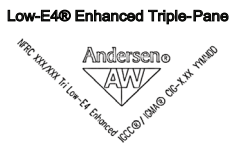
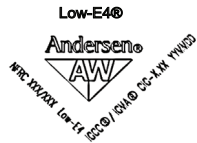
Guide to door types:

A: active panel; **P:** passive panel; **S:** stationary panel

Unit No.	Type	Overall Stationary Panel (w x h)	Unobstructed Glass (w x h)	Actual Glass (w x h)
AFDI2068	S	22 ¹¹ / ₁₆ × 77 ³ / ₁₆	13 ⁵ / ₁₆ × 64 ¹ / ₂	14 ⁵ / ₁₆ × 65 ¹ / ₂
AFDI20610	S	22 ¹¹ / ₁₆ × 79 ³ / ₁₆	13 ⁵ / ₁₆ × 66 ¹ / ₂	14 ⁵ / ₁₆ × 67 ¹ / ₂
AFDI2070	S	22 ¹¹ / ₁₆ × 81 ³ / ₁₆	13 ⁵ / ₁₆ × 68 ¹ / ₂	14 ⁵ / ₁₆ × 69 ¹ / ₂
AFDI2073	S	22 ¹¹ / ₁₆ × 84 ³ / ₁₆	13 ⁵ / ₁₆ × 71 ¹ / ₂	14 ⁵ / ₁₆ × 72 ¹ / ₂
AFDI2080	S	22 ¹¹ / ₁₆ × 93 ³ / ₁₆	13 ⁵ / ₁₆ × 80 ¹ / ₂	14 ⁵ / ₁₆ × 81 ¹ / ₂
AFDI2083	S	22 ¹¹ / ₁₆ × 93 ³ / ₁₆	13 ⁵ / ₁₆ × 83 ¹ / ₂	14 ⁵ / ₁₆ × 84 ¹ / ₂
AFDI2668	S	28 ¹¹ / ₁₆ × 77 ³ / ₁₆	19 ⁵ / ₁₆ × 64 ¹ / ₂	20 ⁵ / ₁₆ × 65 ¹ / ₂
AFDI26610	S	28 ¹¹ / ₁₆ × 79 ³ / ₁₆	19 ⁵ / ₁₆ × 66 ¹ / ₂	20 ⁵ / ₁₆ × 67 ¹ / ₂
AFDI2670	S	28 ¹¹ / ₁₆ × 81 ³ / ₁₆	19 ⁵ / ₁₆ × 68 ¹ / ₂	20 ⁵ / ₁₆ × 69 ¹ / ₂
AFDI2673	S	28 ¹¹ / ₁₆ × 84 ³ / ₁₆	19 ⁵ / ₁₆ × 71 ¹ / ₂	20 ⁵ / ₁₆ × 72 ¹ / ₂
AFDI2680	S	28 ¹¹ / ₁₆ × 93 ³ / ₁₆	19 ⁵ / ₁₆ × 80 ¹ / ₂	20 ⁵ / ₁₆ × 81 ¹ / ₂
AFDI2683	S	28 ¹¹ / ₁₆ × 93 ³ / ₁₆	19 ⁵ / ₁₆ × 83 ¹ / ₂	20 ⁵ / ₁₆ × 84 ¹ / ₂
AFDI2868	S	30 ¹¹ / ₁₆ × 77 ³ / ₁₆	21 ⁵ / ₁₆ × 64 ¹ / ₂	22 ⁵ / ₁₆ × 65 ¹ / ₂
AFDI28610	S	30 ¹¹ / ₁₆ × 79 ³ / ₁₆	21 ⁵ / ₁₆ × 66 ¹ / ₂	22 ⁵ / ₁₆ × 67 ¹ / ₂
AFDI2870	S	30 ¹¹ / ₁₆ × 81 ³ / ₁₆	21 ⁵ / ₁₆ × 68 ¹ / ₂	22 ⁵ / ₁₆ × 69 ¹ / ₂
AFDI2873	S	30 ¹¹ / ₁₆ × 84 ³ / ₁₆	21 ⁵ / ₁₆ × 71 ¹ / ₂	22 ⁵ / ₁₆ × 72 ¹ / ₂
AFDI2880	S	30 ¹¹ / ₁₆ × 93 ³ / ₁₆	21 ⁵ / ₁₆ × 80 ¹ / ₂	22 ⁵ / ₁₆ × 81 ¹ / ₂
AFDI2883	S	30 ¹¹ / ₁₆ × 93 ³ / ₁₆	21 ⁵ / ₁₆ × 83 ¹ / ₂	22 ⁵ / ₁₆ × 84 ¹ / ₂
AFDI3068	S	34 ¹¹ / ₁₆ × 77 ³ / ₁₆	25 ⁵ / ₁₆ × 64 ¹ / ₂	26 ⁵ / ₁₆ × 65 ¹ / ₂
AFDI30610	S	34 ¹¹ / ₁₆ × 79 ³ / ₁₆	25 ⁵ / ₁₆ × 66 ¹ / ₂	26 ⁵ / ₁₆ × 67 ¹ / ₂
AFDI3070	S	34 ¹¹ / ₁₆ × 81 ³ / ₁₆	25 ⁵ / ₁₆ × 68 ¹ / ₂	26 ⁵ / ₁₆ × 69 ¹ / ₂
AFDI3073	S	34 ¹¹ / ₁₆ × 84 ³ / ₁₆	25 ⁵ / ₁₆ × 71 ¹ / ₂	26 ⁵ / ₁₆ × 72 ¹ / ₂
AFDI3080	S	34 ¹¹ / ₁₆ × 93 ³ / ₁₆	25 ⁵ / ₁₆ × 80 ¹ / ₂	26 ⁵ / ₁₆ × 81 ¹ / ₂
AFDI3083	S	34 ¹¹ / ₁₆ × 93 ³ / ₁₆	25 ⁵ / ₁₆ × 83 ¹ / ₂	26 ⁵ / ₁₆ × 84 ¹ / ₂
AFDI3268	S	36 ¹¹ / ₁₆ × 77 ³ / ₁₆	27 ⁵ / ₁₆ × 64 ¹ / ₂	28 ⁵ / ₁₆ × 65 ¹ / ₂
AFDI32610	S	36 ¹¹ / ₁₆ × 79 ³ / ₁₆	27 ⁵ / ₁₆ × 66 ¹ / ₂	28 ⁵ / ₁₆ × 67 ¹ / ₂
AFDI3270	S	36 ¹¹ / ₁₆ × 81 ³ / ₁₆	27 ⁵ / ₁₆ × 68 ¹ / ₂	28 ⁵ / ₁₆ × 69 ¹ / ₂
AFDI3273	S	36 ¹¹ / ₁₆ × 84 ³ / ₁₆	27 ⁵ / ₁₆ × 71 ¹ / ₂	28 ⁵ / ₁₆ × 72 ¹ / ₂
AFDI3280	S	36 ¹¹ / ₁₆ × 93 ³ / ₁₆	27 ⁵ / ₁₆ × 80 ¹ / ₂	28 ⁵ / ₁₆ × 81 ¹ / ₂
AFDI3283	S	36 ¹¹ / ₁₆ × 93 ³ / ₁₆	27 ⁵ / ₁₆ × 83 ¹ / ₂	28 ⁵ / ₁₆ × 84 ¹ / ₂

Panels - Stationary / Sidelight

Stationary / Sidelight Panels



TEMPERED
 U.S. SGCC XXXX
 16 CFR 1201.11
 ANSI Z97.1-2009
 CIG-XX Xmm MM/DD/YR
 CAN/CGSB 12.1-M90

Note:

Tempered safety glass is standard on patio doors. Replacement panel for standard and custom-sized doors is made to order. Panel includes watershed and weatherstrip. See [Service Guide xxxxxxxx](#).

Exterior color options

Interior species/finish/color options

Glass options (See Logo/Etching Examples):

Low-E4®	Low-E4® HeatLock	Low-E4® Triple-Pane
Low-E4® SmartSun™	Low-E4® Smart-Sun HeatLock	Low-E4® Smart-Sun Triple-Pane
Low-E4® Passive Sun	Low-E4® Sun Heat-Lock	Low-E4® Enhanced Triple-Pane
Low-E4® Sun	Low-E4® HeatLock Tempered	Low-E4® Smart-Sun Enhanced Triple-Pane
Low-E4® Tempered	Obscure	Low-E4® Enhanced Triple-Pane Heat-Lock
Low-E4® SmartSun Tempered	Cascade	Low-E4® Smart-Sun Enhanced Triple-Pane HeatLock
Low-E4® Passive Sun Tempered	Fern	
Low-E4® Sun Tempered	Reed	

To order, state:

Product ID (from product label, see [Service Guide 9051877](#))

OR

1. Unit or frame size (AFDI XXXX or frame W x H dimensions)
2. Description of part (Stationary/Sidelight Panel)
3. Panel Style (Traditional, Contemporary)
4. **Panel Options** (Mid-Rail)
5. Exterior color of panel
6. Interior wood species of panel
7. Interior finish/color of panel
8. Glazing

E-Series Hinged Doors (March 2018 to Present)

Single, 2-Panel and Stationary

Shared Panel Parts

Glass Stops

Note:

See [species/finish/color options](#).

To order, state:

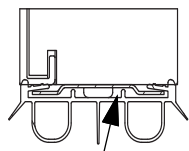
1. Description of Part (Glass Stop)
2. Profile (Ovolo, Contemporary)
3. Species/finish/color
4. Length
5. Quantity
6. Product ID (from product label, see [page 10](#))
7. Options Desired (if different than original product)

Weatherstrip

Door Sweep / 74"

Note:

Secures to bottom of panel.



ADA SILL OR NO SILL

Dark Bronze

0018164

Weatherstrip / Bulb

Note:

Secures to the bottom of the panel on all Inswing doors that use the high performance sill



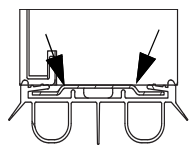
Unit No.	Color	Length	Order No.
AFDI	White	120"	9103912
		300"	9103816
	Black	120"	9103913
		300"	9103817

Receiver Strip

Receiver Strip w / No Holes / 36"

Note:

Secures to bottom of panel.

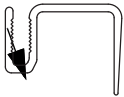


ADA SILL OR NO SILL

Order No.

0018493

Shared Panel Parts

Panel Cap		
Panel Cap		
Note: Secures to top of active/passive panel.		
		Order No.
		Configured by Product ID

Panel Cap Screw			
	Description	Finish	Order No.
	#7 x 7/8 PFHSMS Type AB	Stainless Steel	0015746

E-Series Hinged Doors (March 2018 to Present)







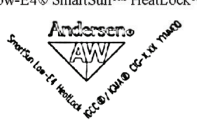

Single, 2-Panel and Stationary

Glass

Glass

Glass

Note:
Replacement glass is made to order and can be configured through iQ. Current glazings replace previous vintage glazings. Product ID label is located on the head jamb. Glass ships with sealant and spacers. See [Accessory Guide 9176386](#).

Exterior color options:
Interior species/finish/color options:
Glass options (See Logo/Etching Examples):

Low-E4®	Low-E4® HeatLock	Low-E4® SmartSun HeatLock
Low-E4® SmartSun™	Low-E4® Smart-Sun HeatLock	Low-E4® Triple-Pane
Low-E4® Passive Sun	Low-E4® Sun Heat-Lock	Low-E4® Smart-Sun Triple-Pane
Low-E4® Sun 3	Low-E4® HeatLock Tempered	Low-E4® Enhanced Triple-Pane
Low-E4® Tempered	Dual Pane Clear	Low-E4® Smart-Sun Enhanced Triple-Pane
Low-E4® SmartSun Tempered	Cascade	Low-E4® Enhanced Triple-Pane Heat-Lock
Low-E4® Passive Sun Tempered	Fern	Low-E4® Smart-Sun Enhanced Triple-Pane HeatLock
Low-E4® Sun Tempered	Reed	

To order, state:
Product ID (from product label, see [Service Guide 9051877](#))
OR

1. Unit or frame size (AFDI XXXX or frame W x H dimensions)
2. Description of part (Low-E4® Glass)
3. Glazing/Grille type
4. Glass Stop Type (Ovolo, Contemporary)
5. Manufacturing Date

TEMPERED
16 CFR 1201 II
ANSI Z97.1 2009

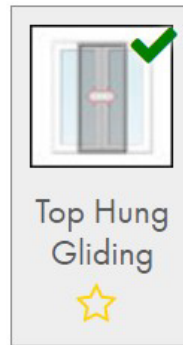
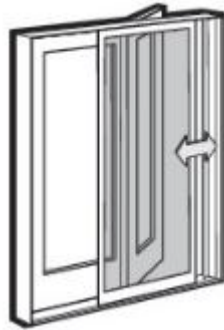
SGCC XXXX
CIG-XX Xmm MM/DD/YY
CAN/CGSB 12.1-M90

Insect Screens

Insect Screen Graphic - Top Hung Gliding

Note:

Available as a configured item for post units. Charcoal fiberglass screen mesh or aluminum screen mesh. Gliding screens are top hung.

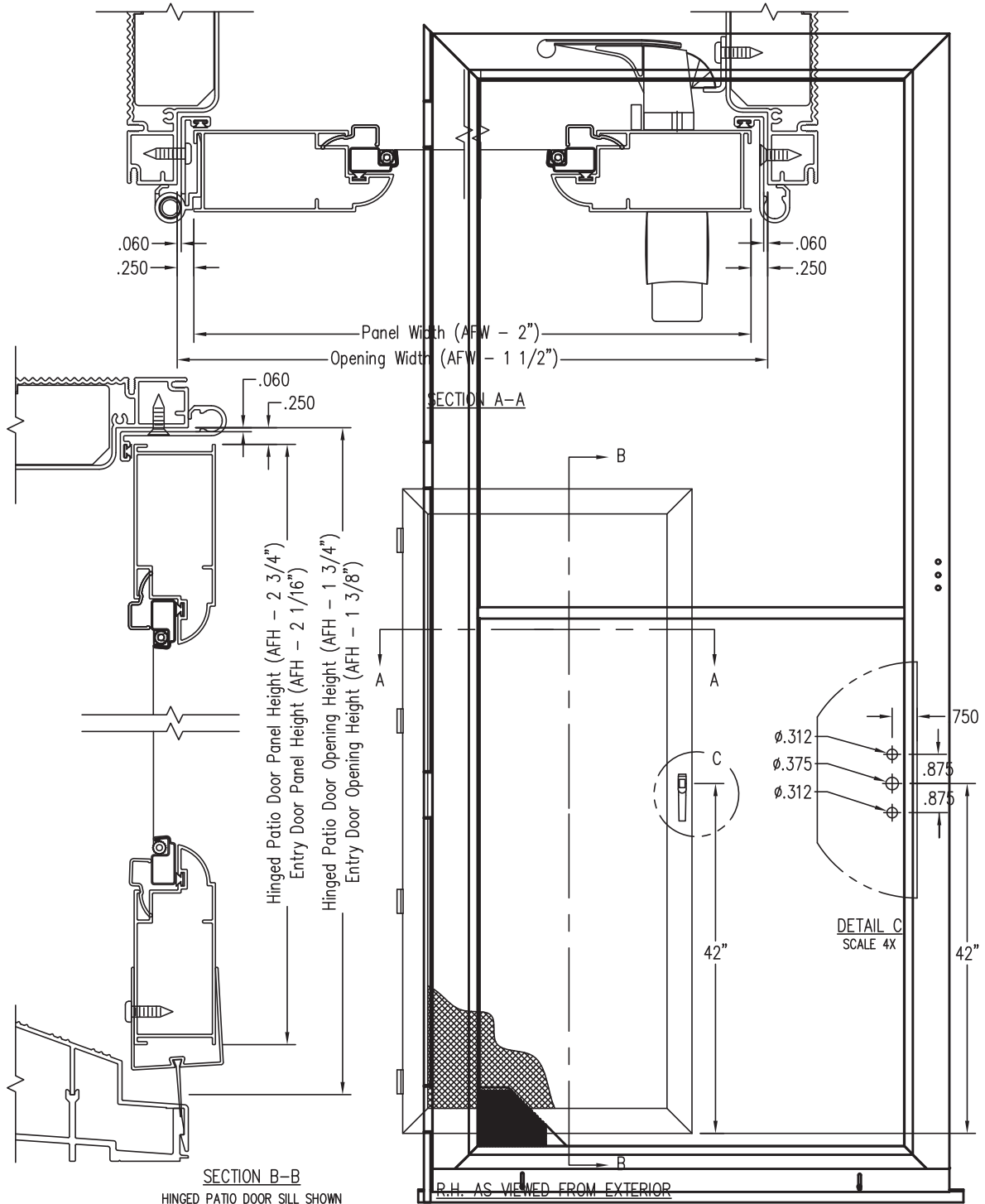


E-Series Hinged Door Top-Hung Gliding Insect Screen

Insect Screen Graphic - Hinged

Note:

Available as a configured item. Charcoal fiberglass screen mesh or aluminum screen mesh.

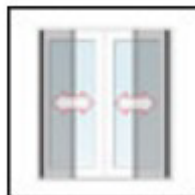


Insect Screens

Insect Screen Graphic - Concealed (Retractable)

Note:

Available as a configured item. Charcoal fiberglass screen mesh or aluminum screen mesh.



Retractable

E-Series Hinged Door Concealed (Retractable) Insect Screen

Grilles

Grille Options

Note:

Replacement sash with permanently applied grilles and finelight grilles can be configured in iQ. Replacement removable interior grilles can be configured in iQ. Removable grilles are only available in 7/8" profile.

Types



Full Divided Light

Give any window an authentic look with full divided light grilles that are permanently applied to the interior and exterior of your window with a spacer between the glass.



Simulated Divided Light

An economical solution with traditional beauty, our Simulated Divided Light features fixed exterior and interior grilles without an internal spacer.



Removable Interior Wood Grilles

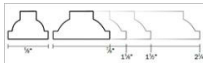
Our removable wood grilles are installed on the interior surface. They are available with an optional surround and an optional permanently applied exterior grille.



Finelight™ Grilles-Between-the-Glass

Aluminum grilles conveniently placed between two panes of glass make the glass easy to clean inside and out.

Profiles



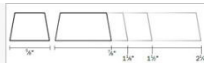
Interior Wood: Ovolo (Colonial)

Widths:

- 5/8"
- 7/8"
- 1 1/8"
- 1 1/2"
- 2 1/4"

Available with:

- Full Divided Light
- Simulated Divided Light



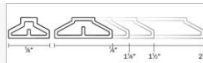
Interior Wood: Contemporary

Widths:

- 5/8"
- 7/8"
- 1 1/8"
- 1 1/2"
- 2 1/4"

Available with:

- Full Divided Light
- Simulated Divided Light



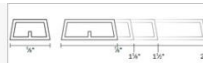
Exterior Aluminum: Chamfer

Widths:

- 5/8"
- 7/8"
- 1 1/8"
- 1 1/2"
- 2 1/4"

Available with:

- Full Divided Light
- Simulated Divided Light
- Removable Interior Wood with Optional Permanently Applied Exterior Grille



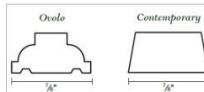
Exterior Aluminum: Contemporary

Widths:

- 5/8"
- 7/8"
- 1 1/8"
- 1 1/2"
- 2 1/4"

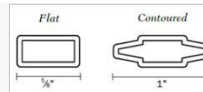
Available with:

- Full Divided Light
- Simulated Divided Light
- Removable Interior Wood with Optional Permanently Applied Exterior Grille



Removable Interior Wood Grilles

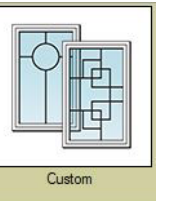
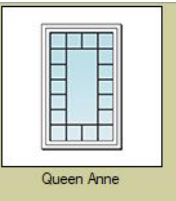
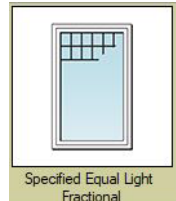
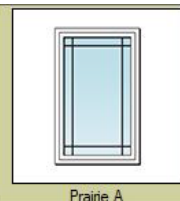
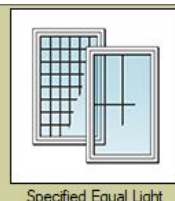
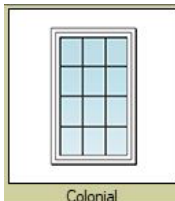
Ovolo or Contemporary profiles in 7/8" width



Finelight Grille Profiles and Widths

Flat or Contoured profiles in 5/8" or 1" widths

Patterns

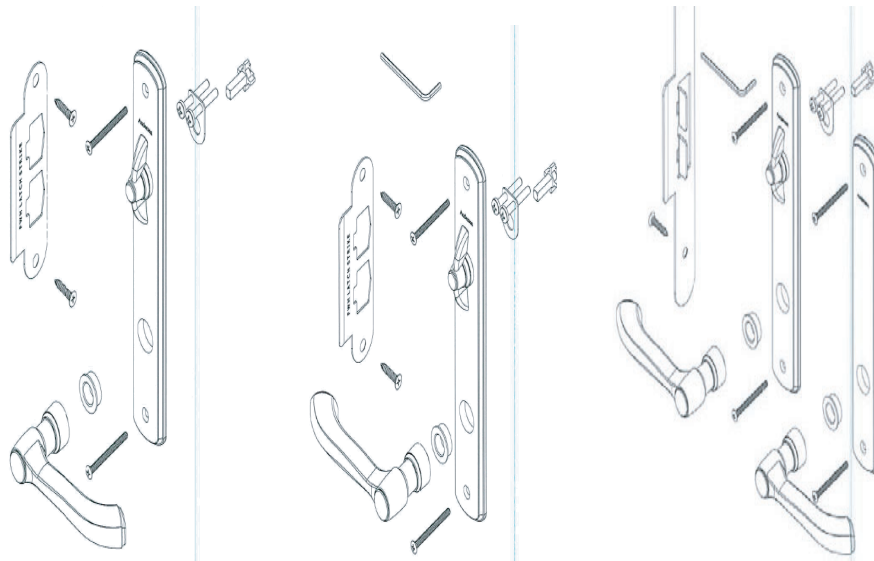


Hardware

Andersen® Half Trim Set Kits - Interior

Note:

Interior half trim sets are available for Newbury®, Covington, Encino®, Yuma®, Anvers®, Whitmore®, Tribeca®, and Albany Hardware.



XXXX Style Shown

Sets include:	AR	AL	AP/PA
Handle, RH Hinged*	NA	1	1
Handle, LH Hinged*	1	NA	1
Plate, Escutcheon, Inside Active Hinged	1	1	1
Turn Knob	1	1	1
Bushing Trim Adaptor	1	1	2
Screw, 1/4-20 UNC SS, KNUURL CUP PT SET	1	1	2
Limiting Plate	1	1	1
Actuator, Lock	1	1	1
Screw, #10 Fill HD, PH, M5X.8-35MM, Zinc	2	2	2
Screw, #8-32UNC x 2, PH Oval HD, MACH	2	2	4
1/8 Allen Wrench	1	1	1
Plate, Escutcheon, Inside Passive Hinged	NA	NA	1
Strike, Plate Single	1	1	NA
Screw, #10 x 1.000 PH FH S/M/S	2	2	2
Strike, Plate Double	NA	NA	1

*Pack has a RH handle for an active left door and a LH handle for an active right door and both for AP/PA.

E-Series Hinged Doors (March 2018 to Present)

Single, 2-Panel and Stationary

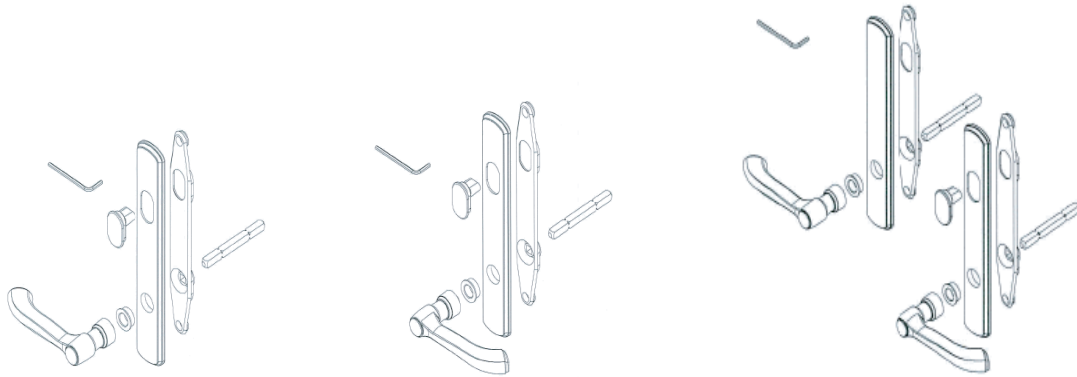
Hardware

Andersen® Half Trim Set Kits - Exterior

Note:

Exterior half trim sets are available for Newbury®, Covington, Encino®, Yuma®, Anvers®, Whitmore®, Tribeca®, and Albany Hardware.

Tribeca® includes threaded studs.



Albany Style Shown

Sets include:	AR	AL	AP/PA
Handle, RH Hinged*	1	N/A	1
Handle, LH Hinged*	N/A	1	1
Plate, Outside Active	1	1	1
Gasket, Trimset	1	1	2
Straight Spindle	1	1	2
Screw, 1/4-20 UNC SS, KNURL CUP PT SET	1	1	2
Cylinder, Dummy	1	1	1
Plate, Outside Passive	N/A	N/A	1
Bushing Trim Adapter	1	1	2
1/8 Allen Wrench	1	1	1

*Pack has a LH handle for an active left door and a RH handle for an active right door and both for AP/PA.

Hardware

Construction Trim Set		
Construction Trim Set - Active		
	Kit Includes: (1) Plate, passive outside (1) Plate, active inside (assembly) (1) Handle, exterior (assembly) (1) Handle, interior (assembly) (1) Actuator, lock (assembly) (1) Plate, limiting (2) Screws, M5 X .8-35MM PH w/#10 Fill Head Machine, Zinc (1) Retainer, bolt (2) Studs, tapped (2) Screws, #8-32 UNC X 1.625, PH W/#10 Oval Head, Machine (1) Wrench, Allen, 1/8 (1) Guide and instructions	Order No. 9020356
Construction Trim Set - Passive		
	Kit Includes: (1) Plate, passive outside (1) Handle, exterior (assembly) (1) Handle, interior (assembly) (2) Studs, tapped (2) Screws, #8-32 UNC X 1.625, PH W/#10 Oval Head, Machine (1) Wrench, Allen, 1/8 (1) Guide and instructions	Order No. 9020357

E-Series Hinged Doors (March 2018 to Present)

Single, 2-Panel and Stationary

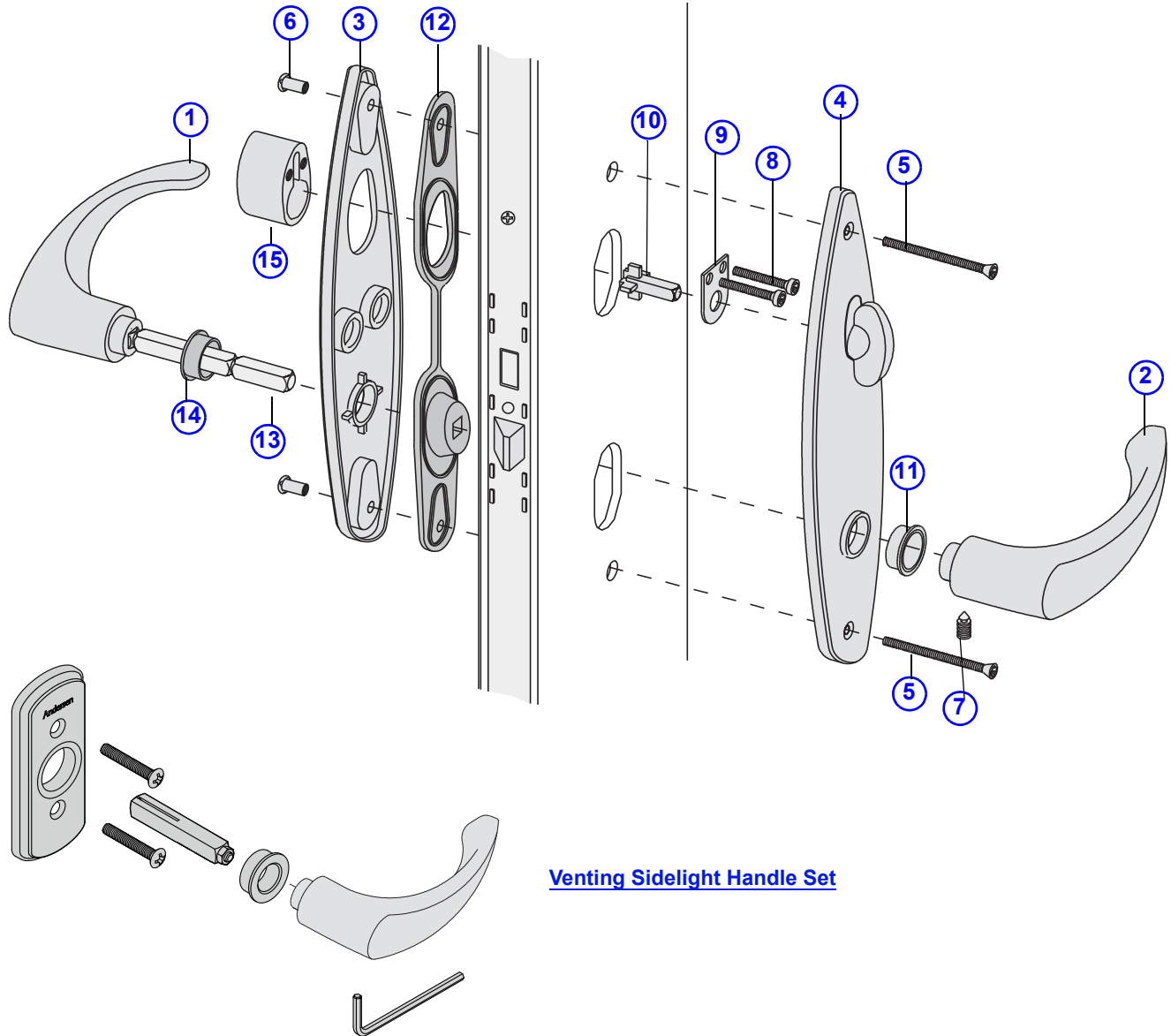
Hardware

Andersen® Hardware - Tribeca®

Note:

See [Accessory Guide 0005156](#) for Active Hardware. See [Accessory Guide 9172158](#) for venting sidelight handle set.

*Strike plate "cover" shown is not used (page six from Accessory Guide 0005156) as strike is factory installed.



Venting Sidelight Handle Set

- | | | |
|---|--|--|
| 1. Exterior Handle (LH Shown) | 6. Escutcheon Plate Mounting Studs | 11. Interior Nylon Bushing |
| 2. Interior Handle (RH Shown) | 7. Handle Set Screw (Package) | 12. Trim Set Gasket |
| 3. Active Exterior Escutcheon Plate | 8. Key Cylinder Mounting Bolts | 13. Spindle |
| 4. Active Interior Escutcheon Plate | 9. Lock Limiting Plate | 14. Exterior Nylon Bushing |
| 5. Escutcheon Plate Bolts | 10. Lock Actuator | 15. Dummy Cylinder |

Tribeca® Hinged Patio Door Hardware - Single Trim Set & Handle Set

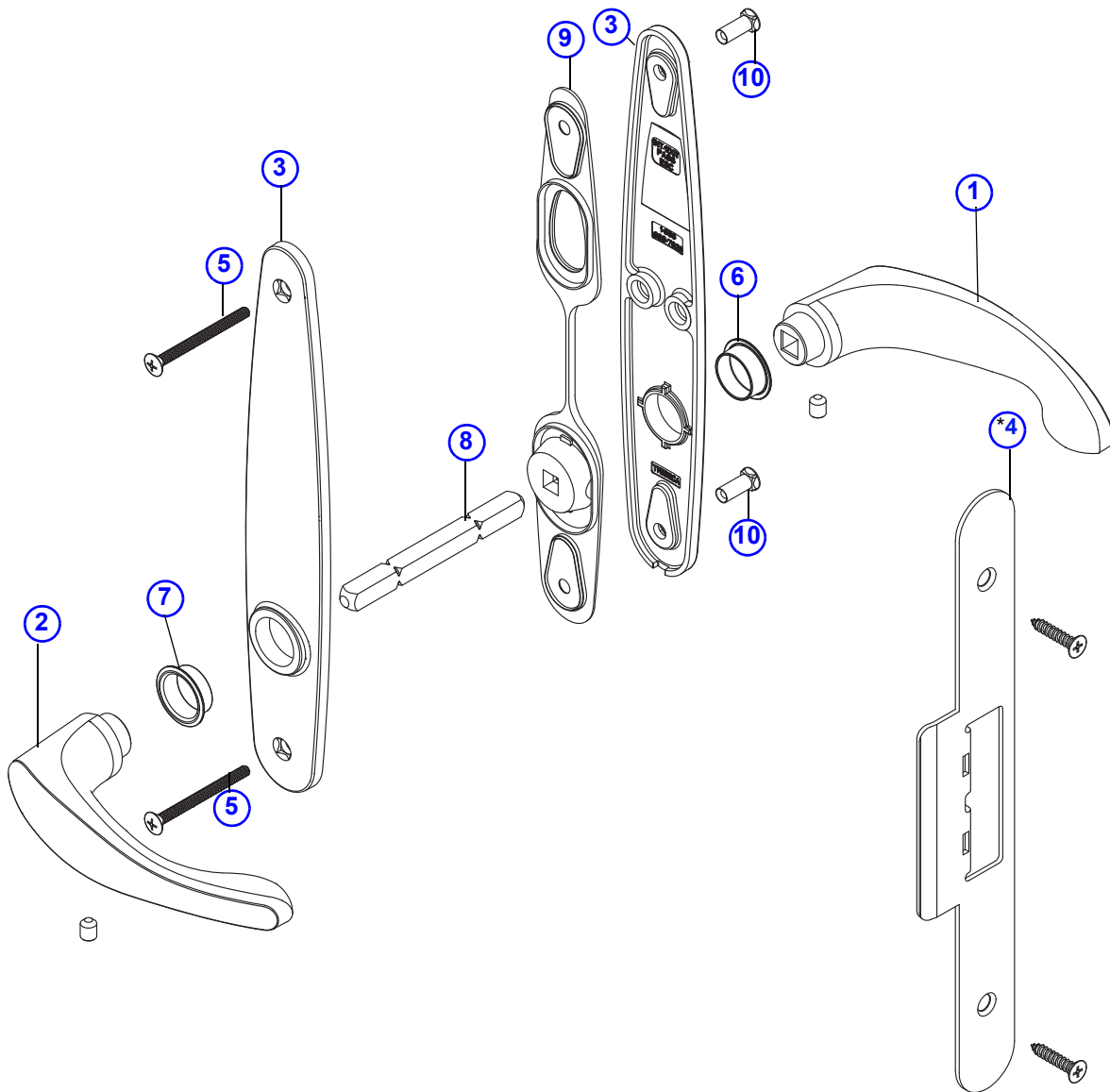
Hardware

Tribeca® Hardware - Passive Hardware Illustration

Note:

See [Accessory Guide 0004286](#).

Note: Additional parts with Double Hardware Set



- | | |
|---|---|
| 1. Exterior Handle (LH Shown) | 6. Exterior Nylon Bushing |
| 2. Interior Handle (RH Shown) | 7. Interior Nylon Bushing |
| 3. Passive Exterior/Exterior Escutcheon Plate | 8. Spindle |
| 4. AP/PA Strike Plate | 9. Trim Set Gasket |
| 5. Escutcheon Plate Bolts | 10. Escutcheon Plate Mounting Studs |

Tribeca® Hinged Patio Door Hardware - Double Trim Set

E-Series Hinged Doors (March 2018 to Present)

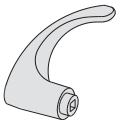

Single, 2-Panel and Stationary



Hardware

Complete Trim Set - Tribeca® / Interior and Exterior See Illustration page 37 and page 38					
Note: Venting Sidelight is a "handle set" that only includes interior handle, interior escutcheon plate and fasteners.					
	Finish	Single	Double AP/PA	Venting Sidelight	
				LH	RH
	Stone	2577557	2577558		
	White	2577555	2577556	9172408	9172409
Black	9184681	9184682			

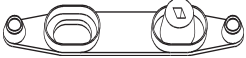
Trim Set - Tribeca® / Interior See Illustration page 34				
	Finish	Single		Double AP/PA
		Left	Right	Order No.
Stone		2572662	2572772	2572663
White		2572660	2572771	2572661
Black		9184670	9184673	9184671

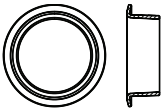
Trim Set - Tribeca® / Exterior See Illustration page 35				
	Finish	Single		Double AP/PA
		Left	Right	Order No.
Stone		2572603	2572750	2572604
White		2572601	2572749	2572602
Black		9184668	9184672	9184669

Lever Handle with Screws - Tribeca® Ref. No. 1 and 2 page 37 and page 38				
 Left Hand	 Right Hand	Finish	Left	Right
		Stone	2579848	2579849
		White	2579835	2579836
		Black	9184685	9184686

Escutcheon Plate - Tribeca® Ref. No. 3 and 4 page 37 and page 38					
 Active Interior	Finish	Active Interior	Active Exterior	Passive Interior/Exterior	
		Stone	2579852	2579854	2579853
		White	2579839	2579841	2579840
		Black	9184687	9184689	9184688
 Passive					

Hardware

Gasket - Trim Set / Tribeca® Ref. No. 12 & 12 page 37 and page 38		
	Note: Use for Tribeca® trim set.	Order No.
		2962513

Bushing - Tribeca® Ref. No. 14 page 37 and page 38		
Note: Made of Nylon. Tribeca® handles made prior to November 2020 use this bushing. If replacing this vintage of bushing you will need to order the current trim set screw pack (includes bushing), handle and escutcheon plate. Tribeca® handles made November 2020 - present use bushing included in current trim set screw pack page 83		
		Clear
		N/A

Dummy Cylinder - Lock Set / Tribeca® Ref. No. 15 page 37			
Note: Use for Tribeca® trim sets.			
		Finish	Order No.
		Stone	2579860
		White	2579847
		Black	9184691

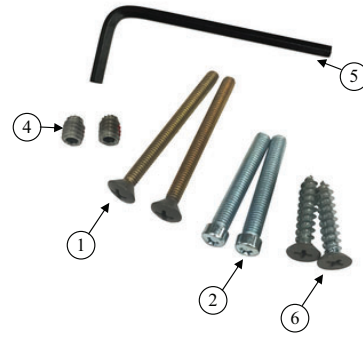
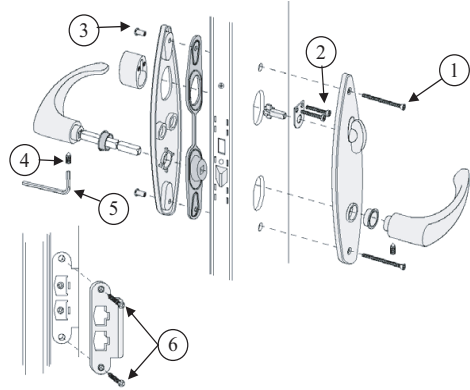
Escutcheon Plate Bolt with Stud / Tribeca®			
	Description 2 - #8 - 32 x 2 PH OH MS YZP 2 - threaded studs	Finish	Order No.
		Stone	2579855
		White	2579842
		Black	9184690

E-Series Hinged Doors (March 2018 to Present)

Single, 2-Panel and Stationary

Hardware

Screw Package - Trim Set / Tribeca®



Note:

Threaded stud shown as #3 not included with this kit. See escutcheon plate bolt with stud as shown above.

Ref. No.	Package Includes	Finish	Stone
			Stone
		White	2579766
		Black	9184684

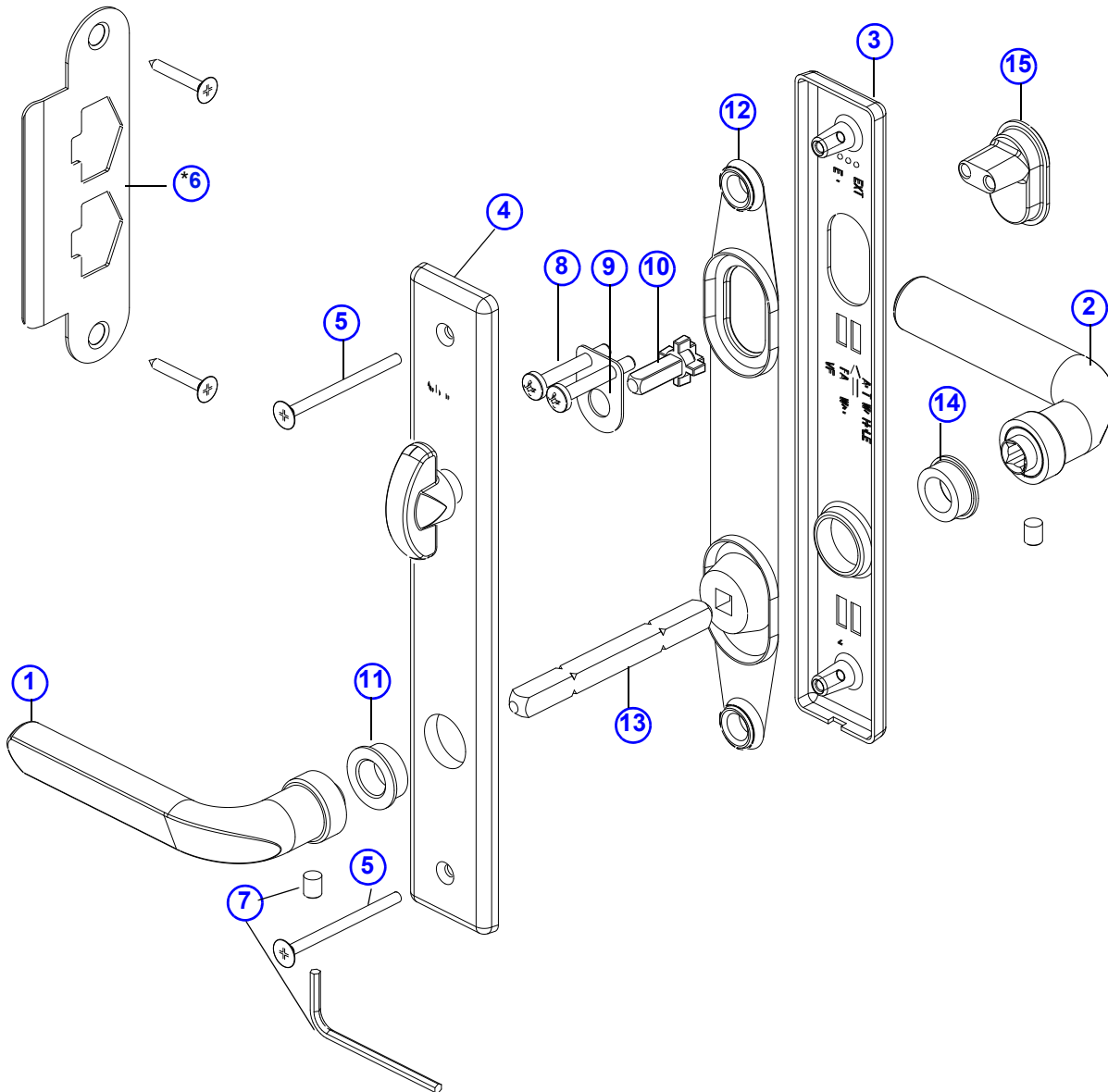
Hardware

Andersen® Hardware - Anvers®

Note:

See [Accessory Guide 0005156](#) for Active Hardware.

*Strike plate "cover" shown is not used (page six from Accessory Guide 0005156) as strike is factory installed.



- | | | |
|---|--|--|
| 1. Interior Handle (LH Shown) | 6. Strike Plate | 11. Interior Nylon Bushing |
| 2. Exterior Handle (RH Shown) | 7. Handle Set Screw (Package) | 12. Trim Set Gasket |
| 3. Active Exterior Escutcheon Plate | 8. Key Cylinder Mounting Bolts | 13. Spindle |
| 4. Active Interior Escutcheon Plate | 9. Lock Limiting Plate | 14. Exterior Nylon Bushing |
| 5. Escutcheon Plate Bolts | 10. Lock Actuator | 15. Dummy Cylinder |

Anvers® Hinged Patio Door Hardware - Single Trim Set

E-Series Hinged Doors (March 2018 to Present)

Single, 2-Panel and Stationary

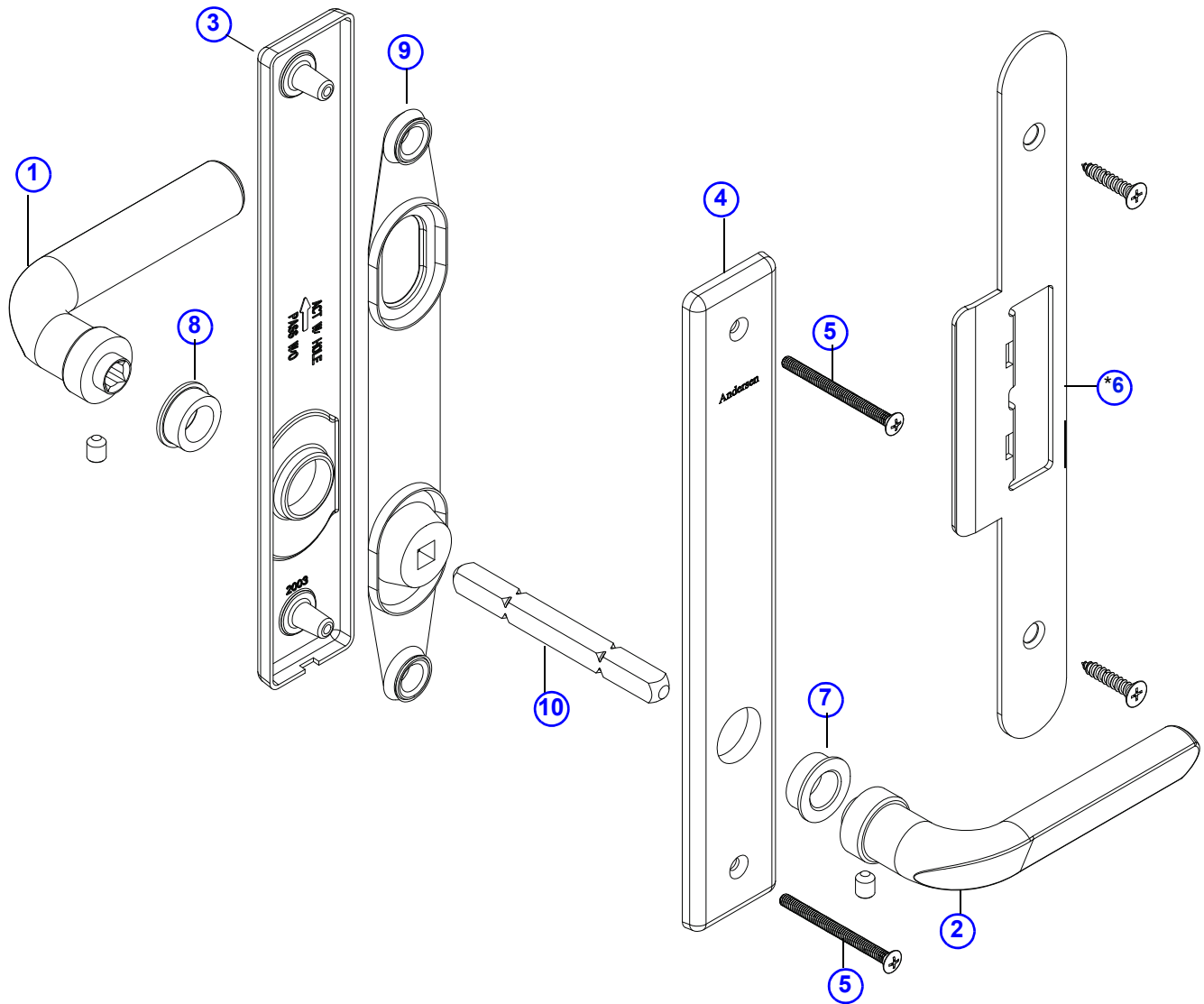
Hardware

Anvers® Hardware - Passive Hardware Illustration

Note:

See [Accessory Guide 0004286](#).

Note: Additional parts with Double Hardware Set



- | | |
|--|---|
| 1. Exterior Handle (LH Shown) | 6.* AP/PA Strike Plate |
| 2. Interior Handle (RH Shown) | 7. Interior Nylon Bushing |
| 3. Passive Exterior Escutcheon Plate | 8. Exterior Nylon Bushing |
| 4. Passive Interior Escutcheon Plate | 9. Trim Set Gasket |
| 5. Escutcheon Plate Bolts | 10. Spindle |

Anvers® Hinged Patio Door Hardware - Double Trim Set

Hardware

Complete Trim Set - Anvers® / Interior and Exterior See Illustration page 42 and page 43			
	Finish	Single	Double AP/PA
	Bright Brass	2578913	2578914
	Oil Rubbed Bronze	2578917	2578918
	Satin Nickel	2578915	2578916

Trim Set - Anvers® / Interior See Illustration page 34				
	Finish	Single		Double AP/PA
		Left	Right	Order No.
	Bright Brass	2572676	2572779	2572677
	Oil Rubbed Bronze	2572686	2572784	2572687
	Satin Nickel	2572692	2572787	2572693

Trim Set - Anvers® / Exterior See Illustration page 35				
	Finish	Single		Double AP/PA
		Left	Right	Order No.
	Bright Brass	2572632	2572757	2572633
	Oil Rubbed Bronze	2572642	2572762	2572643
	Satin Nickel	2572648	2572765	2572649

Handle with Screws - Anvers® Ref. No. 1 and 2 page 42 and page 43			
	Finish	Left	Right
	Bright Brass	2573719	2573720
	Oil Rubbed Bronze	2573721	2573722
	Satin Nickel	2573723	2573724

Escutcheon Plate - Anvers® / Exterior Ref. No. 3 page 42 and page 43			
	Finish	Active	Passive
	Bright Brass	2573741	2573742
	Oil Rubbed Bronze	2573745	2573746
	Satin Nickel	2573749	2573750

Escutcheon Plate - Anvers® / Interior Ref. No. 4 page 42 and page 43			
	Finish	Active	Passive
	Bright Brass	2573739	2573740
	Oil Rubbed Bronze	2573743	2573744
	Satin Nickel	2573747	2573748

E-Series Hinged Doors (March 2018 to Present)

Single, 2-Panel and Stationary

Hardware

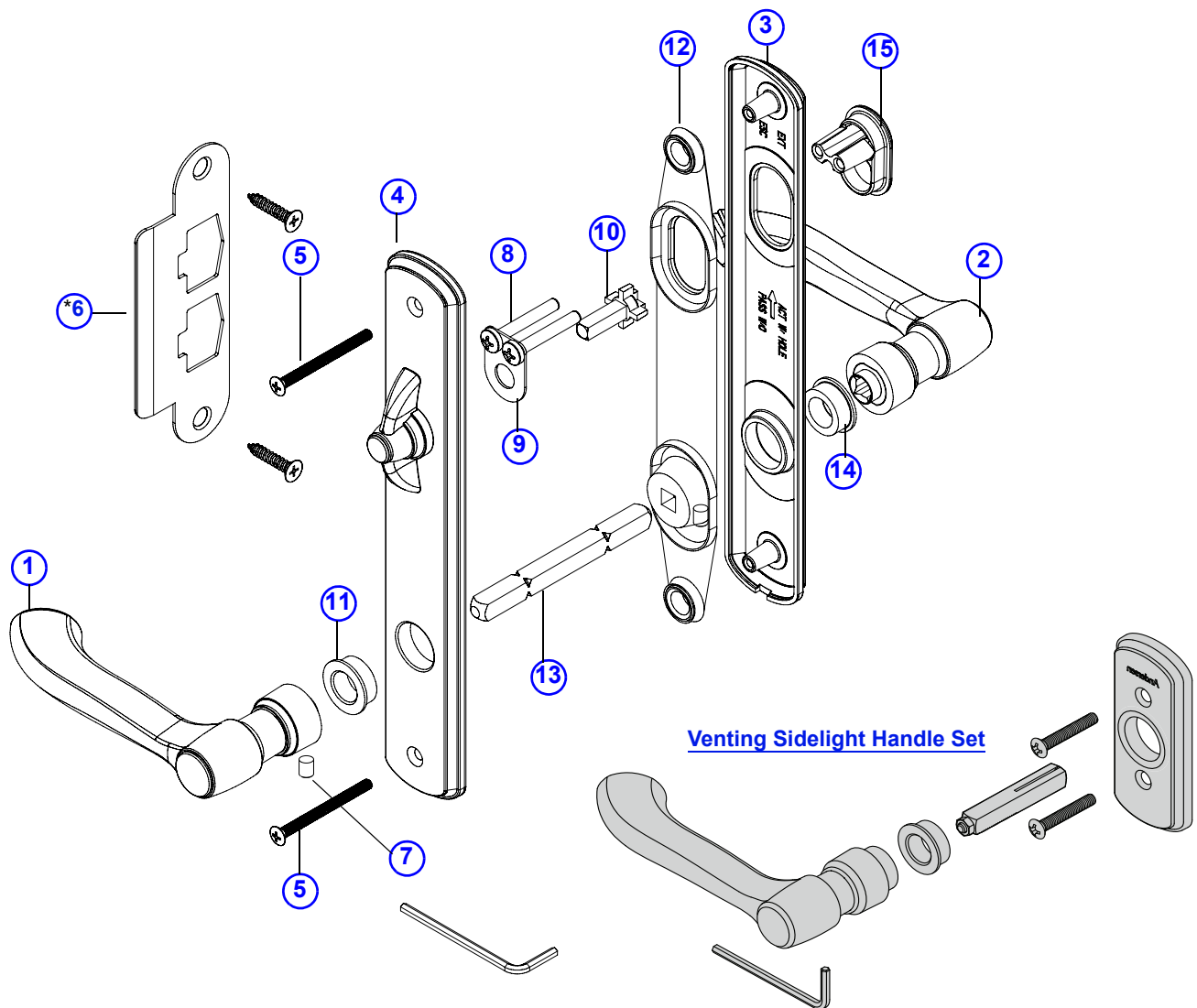
Andersen® Hardware - Albany

Note:

See [Accessory Guide 0005156](#) for Active Hardware. See [Accessory Guide 9172158](#) for venting sidelight handle set.

*Strike plate "cover" shown is not used (page six from Accessory Guide 0005156) as strike is factory installed.

Albany Hardware - Single Trim Set Illustration



- | | | |
|--|--|--|
| 1. Interior Handle (LH Shown) | 6. Strike Plate | 11. Interior Nylon Bushing |
| 2. Exterior Handle (RH Shown) | 7. Handle Set Screw (Package) | 12. Trim Set Gasket |
| 3. Passive Exterior Escutcheon Plate | 8. Key Cylinder Mounting Bolts | 13. Spindle |
| 4. Passive Interior Escutcheon Plate | 9. Lock Limiting Plate | 14. Exterior Nylon Bushing |
| 5. Escutcheon Plate Bolts | 10. Lock Actuator | 15. Dummy Cylinder |

Albany Hardware for Hinged Doors - Single Trim Set

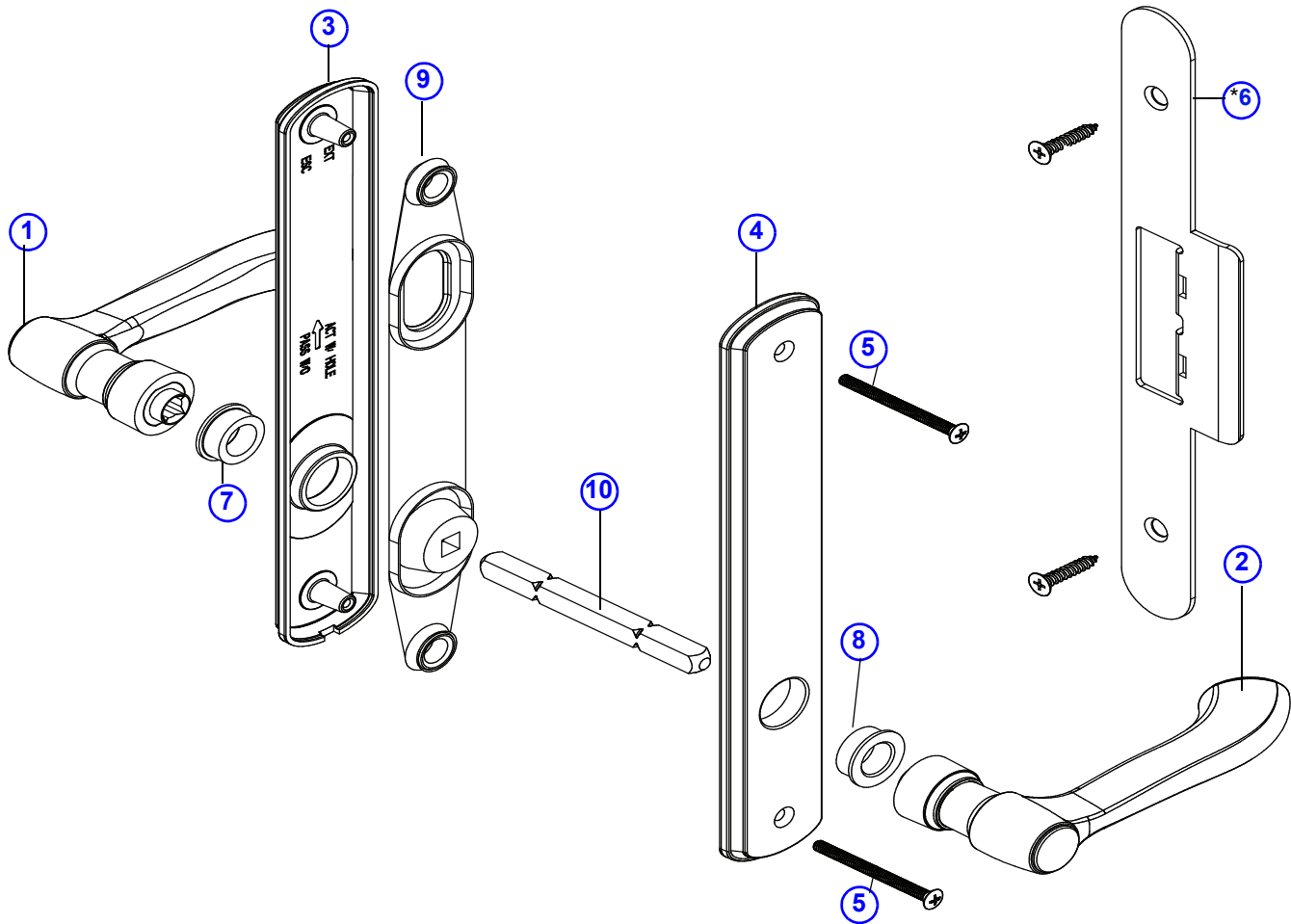
Hardware

Albany Hardware - Passive Hardware Illustration

Note:

See [Accessory Guide 0004286](#).

Note: Additional parts with Double Hardware Set



- | | |
|--|---|
| 1. Exterior Handle (LH Shown) | 6. AP/PA Strike Plate |
| 2. Interior Handle (RH Shown) | 7. Interior Nylon Bushing |
| 3. Passive Exterior Escutcheon Plate | 8. Exterior Nylon Bushing |
| 4. Passive Interior Escutcheon Plate | 9. Trim Set Gasket |
| 5. Escutcheon Plate Bolts | 10. Spindle |

Albany Hardware for Hinged Doors - Double Trim Set

E-Series Hinged Doors (March 2018 to Present)

Single, 2-Panel and Stationary

Hardware

Complete Trim Set - Interior/Exterior Albany See Illustration page 45 and page 46					
	Finish	Single	Double AP/PA	Venting Sidelight	
				LH	RH
	White	9007546	9007550	9172410	9172411
	Stone	9007547	9007551		
	Gold Dust	N/A	N/A		
	Black	9007549	9007553		

Trim Set - Interior Albany See Illustration page 34				
	Finish	Single		Double AP/PA
		Left	Right	Order No.
	White	9007570	9007578	9007571
	Stone	9007572	9007579	9007573
	Gold Dust	N/A	N/A	N/A
	Black	9007576	9007581	9007577

Trim Set - Exterior Albany See Illustration page 35				
	Finish	Single		Double AP/PA
		Left	Right	Order No.
	White	9007582	9007590	9007583
	Stone	9007584	9007591	9007585
	Gold Dust	N/A	N/A	N/A
	Black	9007588	9007593	9007589

Lever Handle with Screws Albany Ref. No. 1 and 2 page 45 and page 46			
	Finish	Left	Right
	White	9018906	9018907
	Stone	9018908	9018909
	Gold Dust	N/A	N/A
	Black	9018912	9018913

Escutcheon Plate - Interior Albany Ref. No. 4 page 45 and page 46			
	Finish	Active	Passive AP/PA
	White	9018941	9018949
	Stone	9018942	9018950
	Gold Dust	9018943	N/A
	Black	9018944	9018952

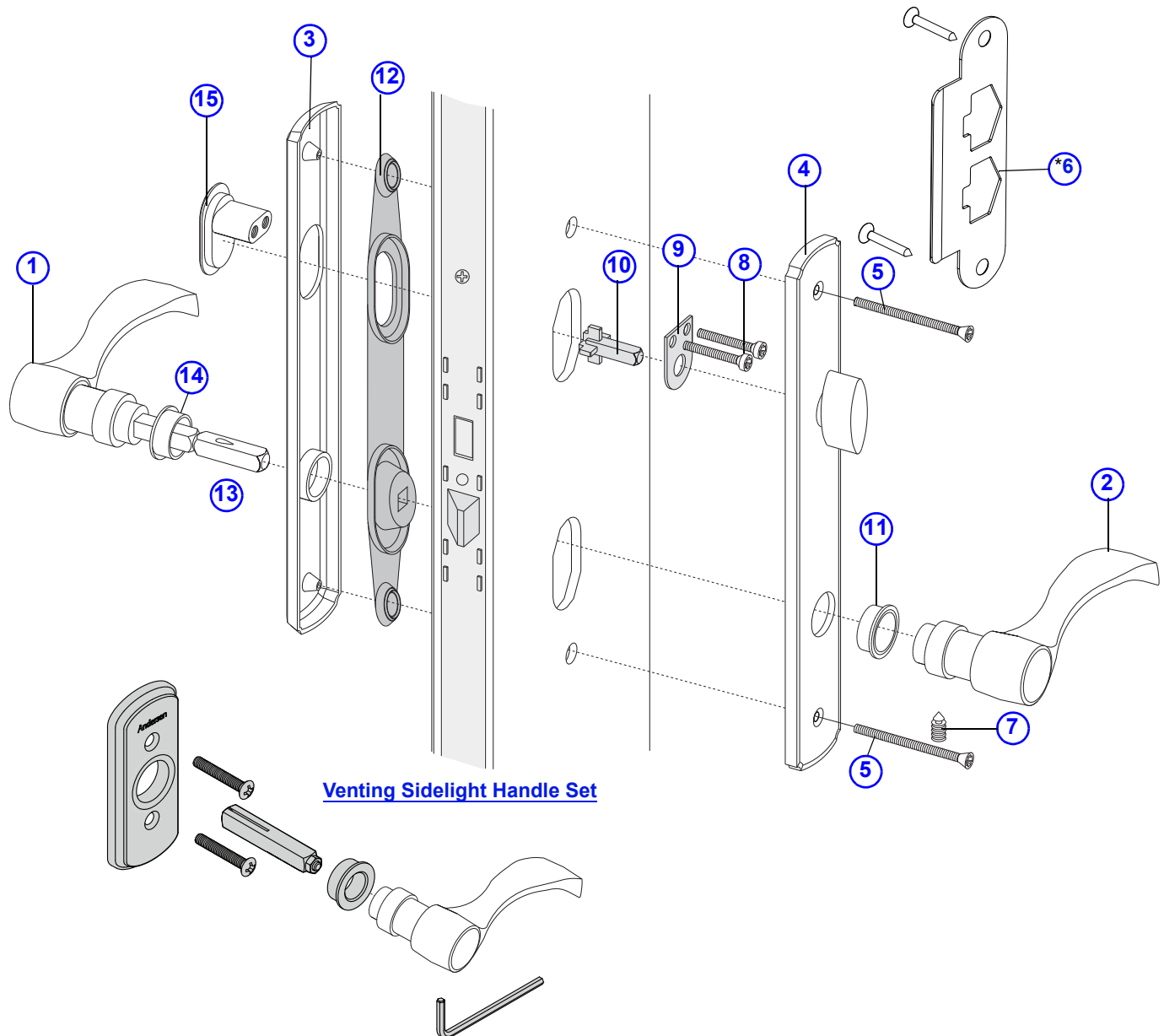
Escutcheon Plate - Exterior Albany Ref. No. 3 page 45 and page 46			
	Finish	Active	Passive AP/PA
	White	9018937	9018945
	Stone	9018938	9018946
	Gold Dust	9018939	N/A
	Black	9018940	9018948

Hardware

Andersen® Hardware - Newbury®

Note:

See [Accessory Guide 0005156](#) for Active Hardware. See [Accessory Guide 9172158](#) for venting sidelight handle set.
 *Strike plate “cover” shown is not used (page six from Accessory Guide 0005156) as strike is factory installed.



[Venting Sidelight Handle Set](#)

- | | | |
|---|--|--|
| 1. Exterior Handle (LH Shown) | 6. Strike Plate | 11. Interior Nylon Bushing |
| 2. Interior Handle (RH Shown) | 7. Handle Set Screw (Package) | 12. Trim Set Gasket |
| 3. Active Exterior Escutcheon Plate | 8. Key Cylinder Mounting Bolts | 13. Spindle |
| 4. Active Interior Escutcheon Plate | 9. Lock Limiting Plate | 14. Exterior Nylon Bushing |
| 5. Escutcheon Plate Bolts | 10. Lock Actuator | 15. Dummy Cylinder |

Newbury® Hardware for Hinged Doors - Single Trim Set

E-Series Hinged Doors (March 2018 to Present)

Single, 2-Panel and Stationary

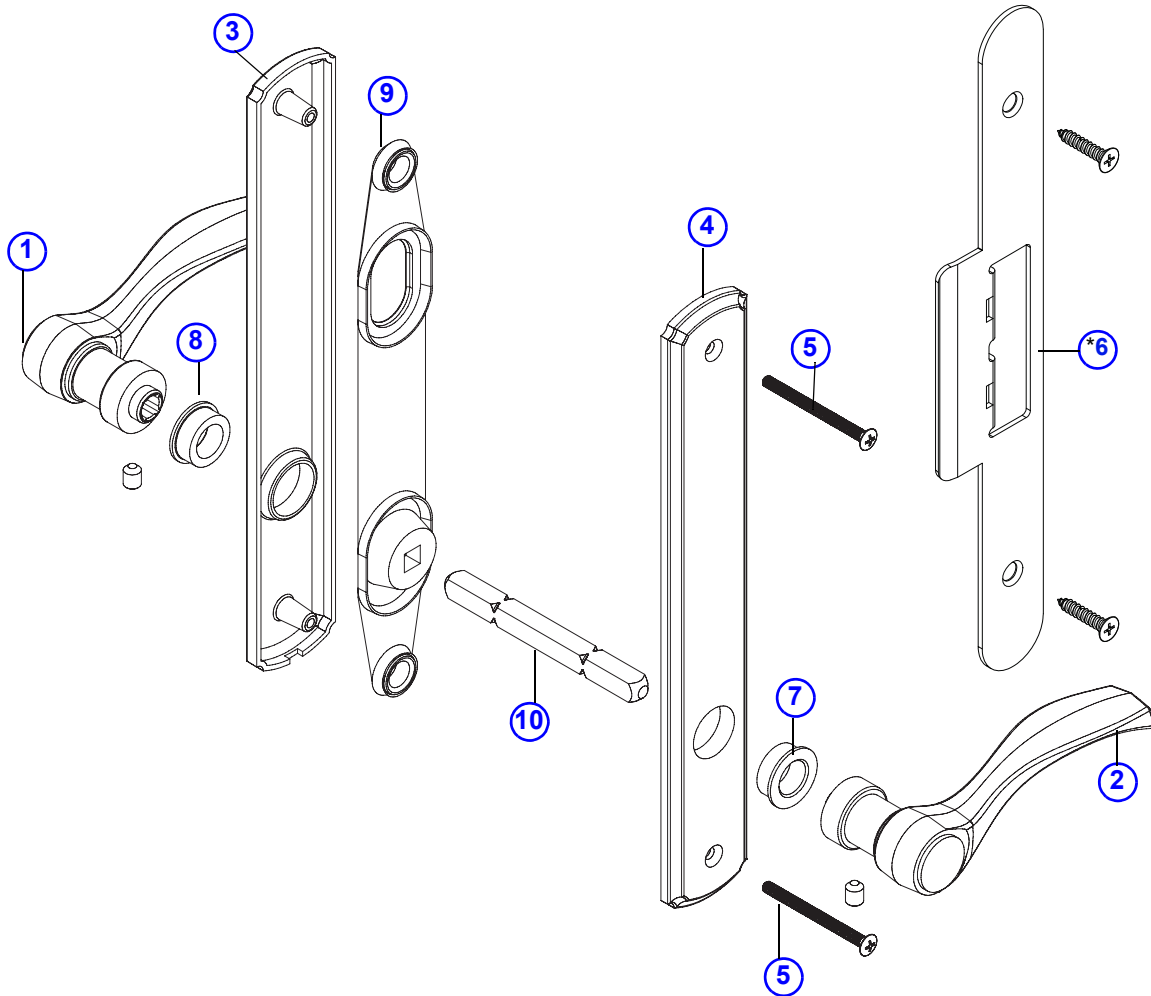
Hardware

Newbury® Hardware - Passive Hardware Illustration

Note:

See [Accessory Guide 0004286](#).

Note: Additional parts with Double Hardware Set



1. [Exterior Handle \(LH Shown\)](#)
2. [Interior Handle \(RH Shown\)](#)
3. [Passive Exterior Escutcheon Plate](#)
4. [Passive Interior Escutcheon Plate](#)
5. [Escutcheon Plate Bolts](#)
6. [*AP/PA Strike Plate](#)
7. [Interior Nylon Bushing](#)
8. [Exterior Nylon Bushing](#)
9. [Trim Set Gasket](#)
10. [Spindle](#)

Newbury® Hardware for Hinged Doors - Double Trim Set

Hardware

Complete Trim Set - Newbury® / Interior and Exterior See Illustration [page 48](#) and [page 49](#)

Note:

Venting Sidelight is a “handle set” that only includes interior handle, interior escutcheon plate and fasteners.

	Finish	Single	Double AP/PA	Venting Sidelight	
				LH	RH
	Antique Brass	2577504	2577521		
	Brushed Chrome	2579746	2579747		
	Chrome	2577501	2577533		
	H.P. Brass	2577543	2577544		
	Oil Rubbed Bronze	2579742	2579743	9172414	9172415
	Satin Nickel	2579443	2579455	9172412	9172413



Trim Set - Newbury® / Interior See Illustration [page 34](#)

	Finish	Single		Double AP/PA
		Left	Right	Order No.
	Antique Brass	2572666	2572774	2572667
	Brushed Chrome	N/A	N/A	NA
	Chrome	N/A	N/A	N/A
	H.P. Brass	2572664	2572773	2572665
	Oil Rubbed Bronze	2572672	2572777	2572673
	Satin Nickel	2572674	2572778	2572675

Trim Set - Newbury® / Exterior See Illustration [page 35](#)

	Finish	Single		Double AP/PA
		Left	Right	Order No.
	Antique Brass	2572607	2572752	2572608
	Brushed Chrome	N/A	NA	N/A
	Chrome	N/A	N/A	N/A
	H.P. Brass	2572605	2572751	2572606
	Oil Rubbed Bronze	2572628	2572755	2572629
	Satin Nickel	2572630	2572756	2572631

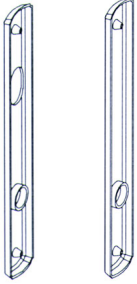
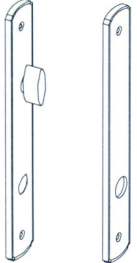
Handle with Screws - Newbury® Ref. No. 1 and 2 [page 48](#) and [page 49](#)

 Right Hand	 Left Hand	Finish	Left	Right
				Antique Brass
		Brushed Chrome	N/A	N/A
		Chrome	2579597	2579598
		H.P. Brass	2579611	2579612
		Oil Rubbed Bronze	2579901	2579903
		Satin Nickel	2579441	2579442

E-Series Hinged Doors (March 2018 to Present)

Single, 2-Panel and Stationary

Hardware

Escutcheon Plate - Newbury® / Exterior Ref. No. 3 page 48 and page 49				
 <p>Active Passive</p>		Finish	Active	Passive
		Antique Brass	2579606	2579680
		Brushed Chrome	2579914	2579916
		Chrome	N/A	2579604
		H.P. Brass	2579605	2579601
		Oil Rubbed Bronze	2579913	2579915
		Satin Nickel	2579449	2579448
Escutcheon Plate - Newbury® / Interior page 48 and page 49				
 <p>Active Passive</p>		Finish	Active	Passive
		Antique Brass	2579602	2579674
		Brushed Chrome	2579912	2579910
		Chrome	2579587	2579603
		H.P. Brass	2579609	2579589
		Oil Rubbed Bronze	2579911	2579909
Satin Nickel	2579446	2579447		

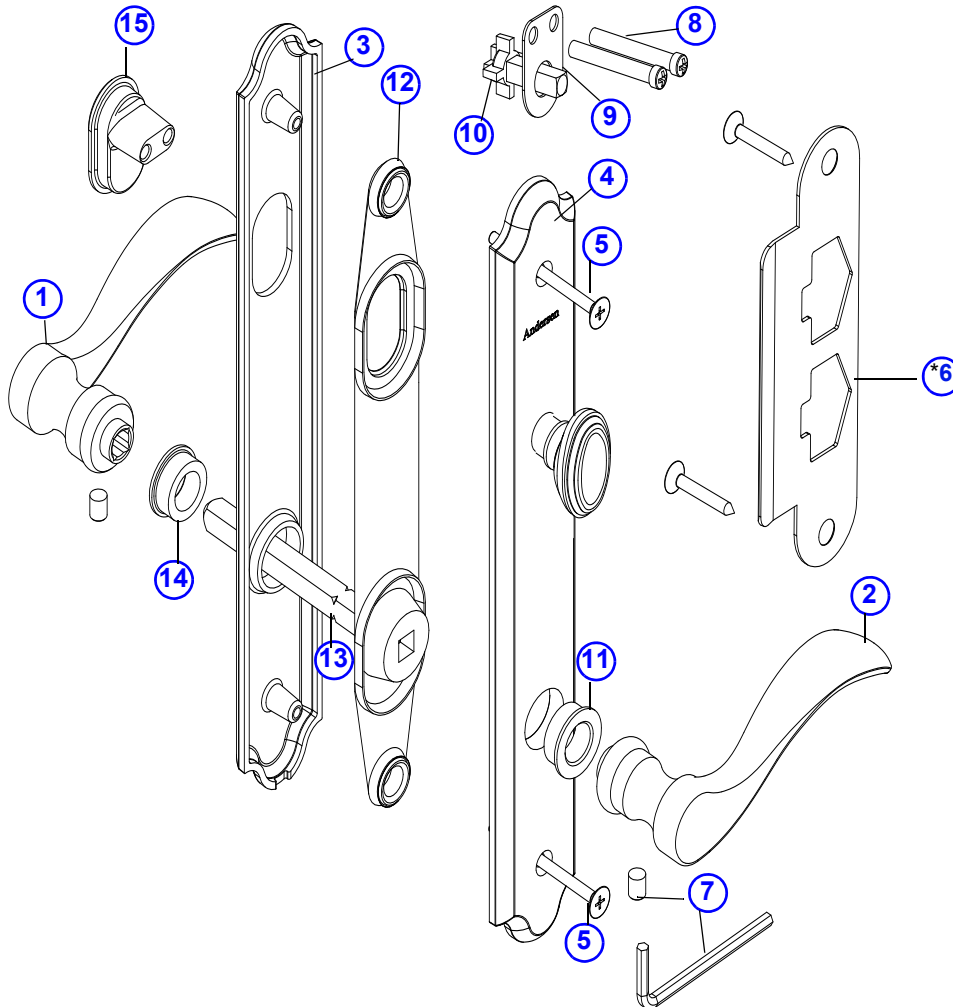
Hardware

Andersen® Hardware - Covington™

Note:

See [Accessory Guide 0005156](#) for Active Hardware.

*Strike plate “cover” shown is not used (page six from Accessory Guide 0005156) as strike is factory installed.



- | | | |
|---|--|--|
| 1. Exterior Handle (LH Shown) | 6. *Strike Plate | 11. Interior Nylon Bushing |
| 2. Interior Handle (RH Shown) | 7. Handle Set Screw (Package) | 12. Trim Set Gasket |
| 3. Active Exterior Escutcheon Plate | 8. Key Cylinder Mounting Bolts | 13. Spindle |
| 4. Active Interior Escutcheon Plate | 9. Lock Limiting Plate | 14. Exterior Nylon Bushing |
| 5. Escutcheon Plate Bolts | 10. Lock Actuator | 15. Dummy Cylinder |

Covington™ Hardware for Hinged Doors - Single Trim Set

E-Series Hinged Doors (March 2018 to Present)

Single, 2-Panel and Stationary

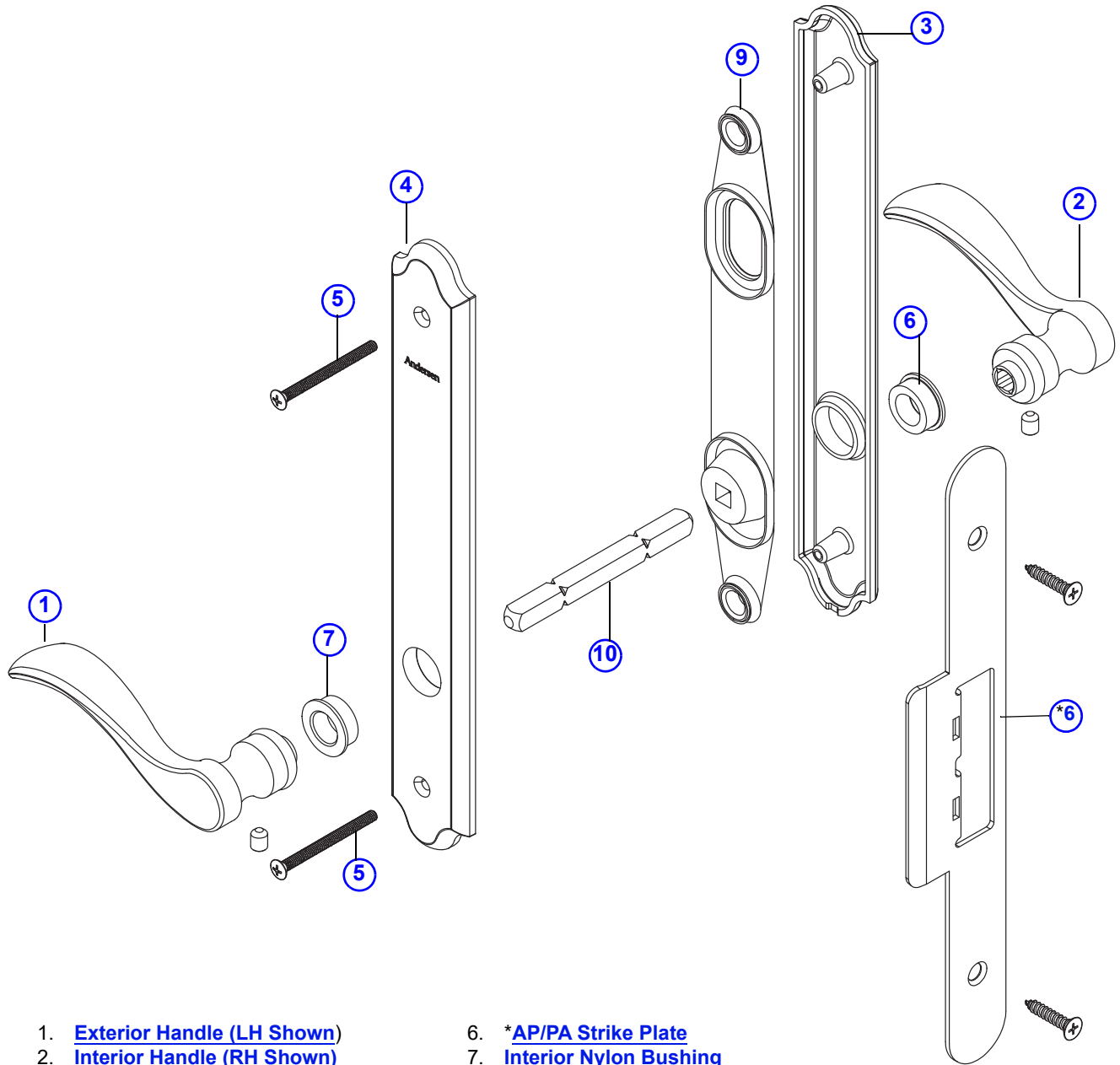
Hardware

Covington™ Hardware - Passive Hardware Illustration

Note:

See [Accessory Guide 0004286](#).

Note: Additional parts with Double Hardware Set



1. [Exterior Handle \(LH Shown\)](#)
2. [Interior Handle \(RH Shown\)](#)
3. [Passive Exterior Escutcheon Plate](#)
4. [Passive Interior Escutcheon Plate](#)
5. [Escutcheon Plate Bolts](#)
6. [*AP/PA Strike Plate](#)
7. [Interior Nylon Bushing](#)
8. [Exterior Nylon Bushing](#)
9. [Trim Set Gasket](#)
10. [Spindle](#)

Covington™ Hardware for Hinged Doors - Double Trim Set

Hardware

Complete Trim Set - Covington™ / Interior and Exterior See Illustration page 52 and page 53			
	Finish	Single	Double AP/PA
	Antique Brass	2578937	2578938
	Bright Brass	2578935	2578936
	Oil Rubbed Bronze	2578941	2578942

Trim Set - Covington™ / Interior See Illustration page 34				
	Finish	Single		Double AP/PA
		Left	Right	Order No.
	Antique Brass	N/A	N/A	N/A
	Bright Brass	NA	NA	N/A
	Oil Rubbed Bronze	NA	NA	N/A

Trim Set - Covington™ / Exterior See Illustration page 35				
	Finish	Single		Double AP/PA
		Left	Right	Order No.
	Antique Brass	N/A	N/A	N/A
	Bright Brass	NA	N/A	N/A
	Oil Rubbed Bronze	N/A	N/A	N/A

Handle with Screws - Covington™ Ref. No. 1 and 2 page 52 and page 53			
	Finish	Left	Right
	Antique Brass	2573733	N/A
	Bright Brass	2573735	2573736
	Oil Rubbed Bronze	N/A	N/A

Escutcheon Plate - Covington™ / Exterior Ref. No. 3 page 52 and page 53			
	Finish	Active	Passive
	Antique Brass	2573769	2573770
	Bright Brass	2573773	N/A
	Oil Rubbed Bronze	2573777	2573778

Escutcheon Plate - Covington™ / Interior Ref. No. 3 page 52 and page 53			
	Finish	Active	Passive
	Antique Brass	2573767	2573768
	Bright Brass	2573771	2573772
	Oil Rubbed Bronze	2573775	2573776

E-Series Hinged Doors (March 2018 to Present)

Single, 2-Panel and Stationary

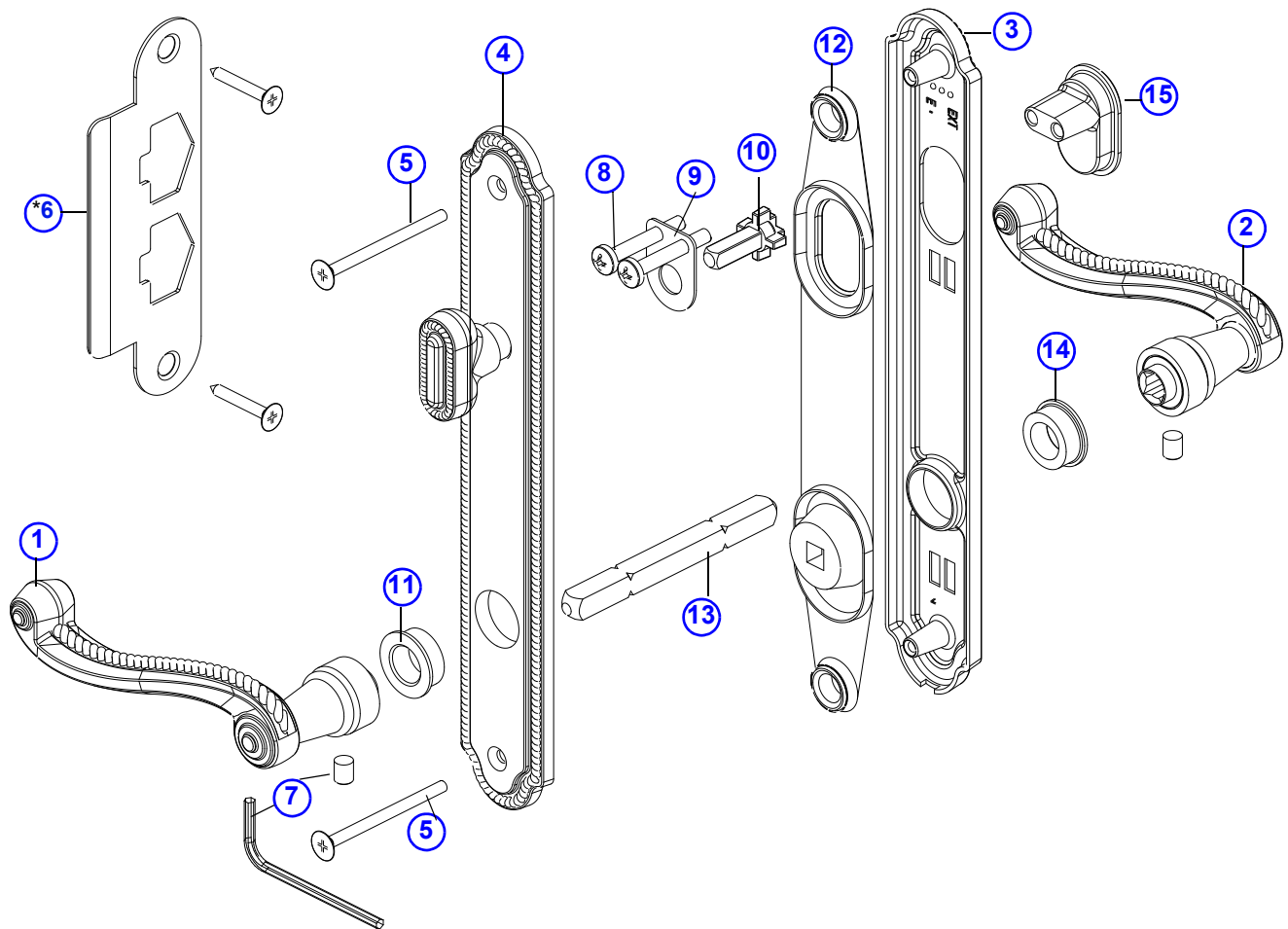
Hardware

Andersen® Hardware - Whitmore®

Note:

See [Accessory Guide 0005156](#) for Active Hardware.

*Strike plate "cover" shown is not used (page six from Accessory Guide 0005156) as strike is factory installed.



- | | | |
|---|--|--|
| 1. Interior Handle (LH Shown) | 6. *Strike Plate | 11. Interior Nylon Bushing |
| 2. Exterior Handle (RH Shown) | 7. Handle Set Screw (Package) | 12. Trim Set Gasket |
| 3. Active Exterior Escutcheon Plate | 8. Key Cylinder Mounting Bolts | 13. Spindle |
| 4. Active Interior Escutcheon Plate | 9. Lock Limiting Plate | 14. Exterior Nylon Bushing |
| 5. Escutcheon Plate Bolts | 10. Lock Actuator | 15. Dummy Cylinder |

Whitmore® Hinged Patio Door Hardware - Single Trim Set

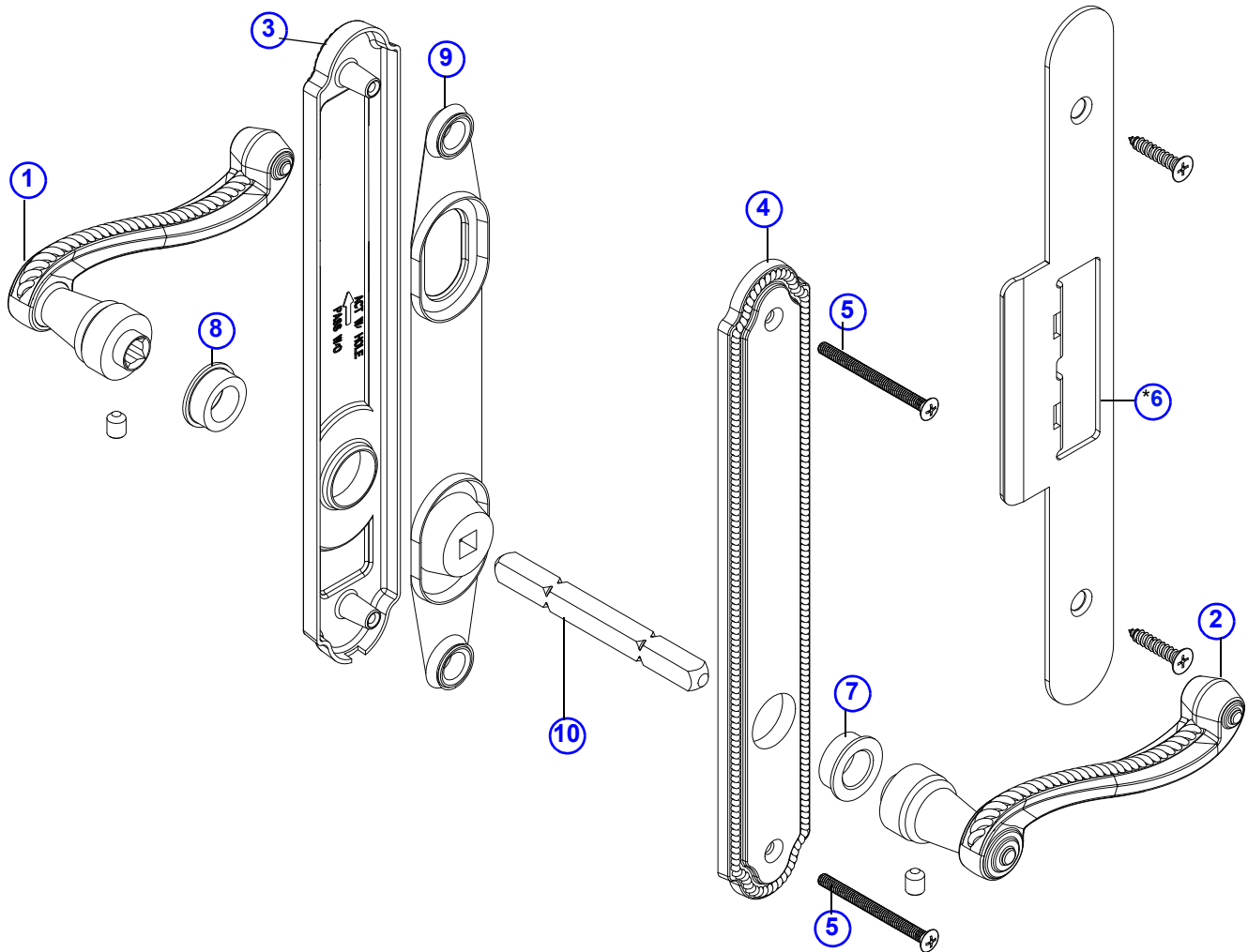
Hardware

Whitmore® Hardware - Passive Hardware Illustration

Note:

See [Accessory Guide 0004286](#).

Note: Additional parts with Double Hardware Set



- | | |
|--|---|
| 1. Exterior Handle (LH Shown) | 6. *AP/PA Strike Plate |
| 2. Interior Handle (RH Shown) | 7. Interior Nylon Bushing |
| 3. Passive Exterior Escutcheon Plate | 8. Exterior Nylon Bushing |
| 4. Passive Interior Escutcheon Plate | 9. Trim Set Gasket |
| 5. Escutcheon Plate Bolts | 10. Spindle |

Whitmore® Hinged Patio Door Hardware - Double Trim Set

E-Series Hinged Doors (March 2018 to Present)


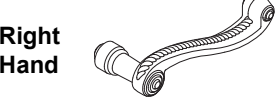
Single, 2-Panel and Stationary

Hardware

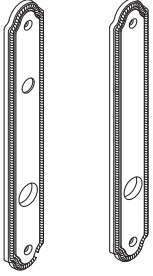
Complete Trim Set - Whitmore® / Interior and Exterior See Illustration page 55 and page 56			
	Finish	Single	Double AP/PA
	Antique Brass	2578923	2578924
	Bright Brass	2578919	2578920
	Oil Rubbed Bronze	2578925	2578926
	Satin Nickel	2578921	2578922

Trim Set - Whitmore® / Interior See Illustration page 34				
	Finish	Single		Double AP/PA
		Left	Right	Order No.
	Antique Brass	N/A	N/A	N/A
	Bright Brass	N/A	NA	N/A
	Oil Rubbed Bronze	N/A	N/A	N/A
	Satin Nickel	N/A	N/A	NA

Trim Set - Whitmore® / Exterior See Illustration page 35				
	Finish	Single		Double AP/PA
		Left	Right	Order No.
	Antique Brass	N/A	N/A	N/A
	Bright Brass	N/A	N/A	N/A
	Oil Rubbed Bronze	N/A	N/A	N/A
	Satin Nickel	N/A	N/A	NA

Handle with Screws - Whitmore® Ref. No. 1 and 2 page 55 and page 56				
 Left Hand  Right Hand	Finish	Left	Right	
	Antique Brass	2573725	2573726	
	Bright Brass	2573727	2573728	
	Oil Rubbed Bronze	2573729	2573730	
	Satin Nickel	2573731	2573732	

Hardware

Escutcheon Plate - Whitmore® / Exterior Ref. No. 3 page 55 and page 56				
		Finish	Active	Passive
		Antique Brass	2573753	2573754
		Bright Brass	2573757	N/A
		Oil Rubbed Bronze	2573761	2573762
		Satin Nickel	2573765	N/A

Escutcheon Plate - Whitmore® / Interior Ref. No. 3 page 55 and page 56				
		Finish	Active	Passive
		Antique Brass	2573751	2573752
		Bright Brass	2573755	2573756
		Oil Rubbed Bronze	2573759	2573760
		Satin Nickel	2573763	2573764

E-Series Hinged Doors (March 2018 to Present)

Single, 2-Panel and Stationary

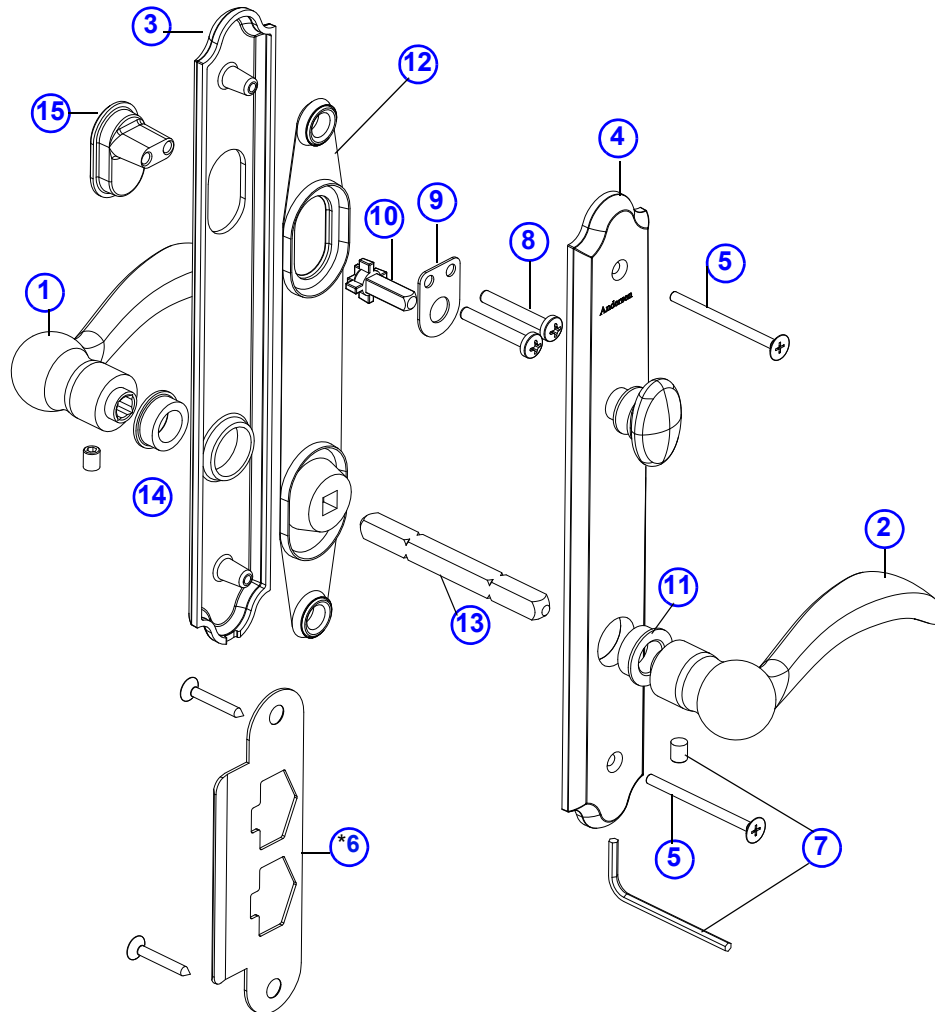
Hardware

Andersen® Hardware - Encino®

Note:

See [Accessory Guide 0005156](#) for Active Hardware.

*Strike plate "cover" shown is not used (page six from Accessory Guide 0005156) as strike is factory installed.



- | | | |
|---|--|--|
| 1. Exterior Handle (LH Shown) | 6. *Strike Plate | 11. Interior Nylon Bushing |
| 2. Interior Handle (RH Shown) | 7. Handle Set Screw (Package) | 12. Trim Set Gasket |
| 3. Active Exterior Escutcheon Plate | 8. Key Cylinder Mounting Bolts | 13. Spindle |
| 4. Active Interior Escutcheon Plate | 9. Lock Limiting Plate | 14. Exterior Nylon Bushing |
| 5. Escutcheon Plate Bolts | 10. Lock Actuator | 15. Dummy Cylinder |

Encino® Hinged Patio Door Hardware - Single Trim Set

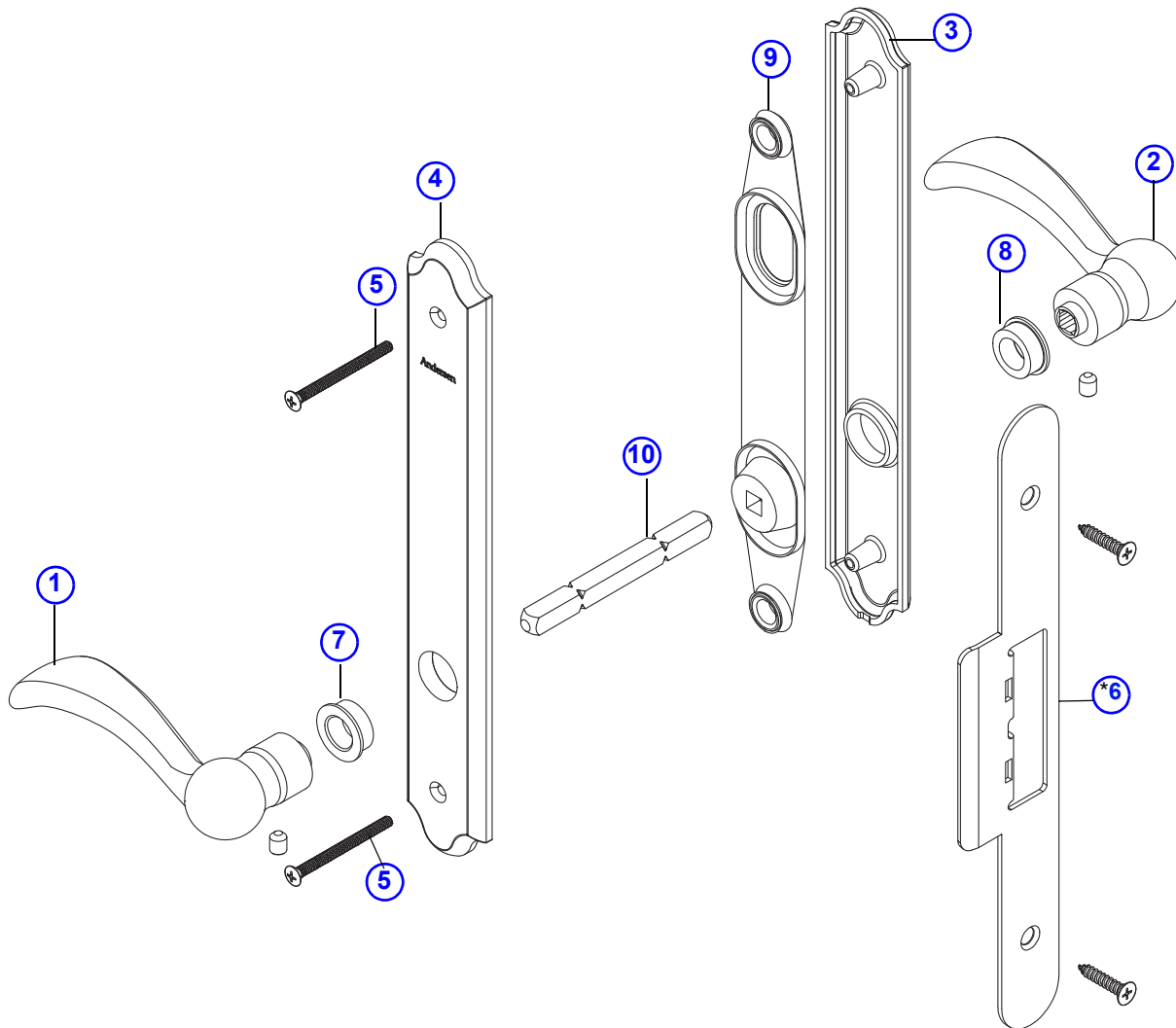
Hardware

Encino® Hardware - Passive Hardware Illustration

Note:

See [Accessory Guide 0004286](#).

Note: Additional parts with Double Hardware Set



- | | |
|--|---|
| 1. Exterior Handle (LH Shown) | 6. *AP/PA Strike Plate |
| 2. Interior Handle (RH Shown) | 7. Interior Nylon Bushing |
| 3. Passive Exterior Escutcheon Plate | 8. Exterior Nylon Bushing |
| 4. Passive Interior Escutcheon Plate | 9. Trim Set Gasket |
| 5. Escutcheon Plate Bolts | 10. Spindle |

Encino® Hinged Patio Door Hardware - Double Trim Set

E-Series Hinged Doors (March 2018 to Present)

Single, 2-Panel and Stationary

Hardware

Complete Trim Set - Encino® / Interior and Exterior See Illustration page 59 and page 60				
	Finish	Single		Double AP/PA
	Distressed Bronze	2578927		2578928
	Distressed Nickel	2578929		2578930
Trim Set - Encino® / Interior See Illustration page 34				
	Finish	Single		Double AP/PA
		Left	Right	Order No.
	Distressed Bronze	2572696	2572789	2572697
Distressed Nickel	2572701	2572791	2572702	
Trim Set - Encino® / Exterior See Illustration page 35				
	Finish	Single		Double AP/PA
		Left	Right	Order No.
	Distressed Bronze	2572652	2572767	2572653
Distressed Nickel	2572656	2572769	2572657	

Handle with Screws - Encino® Ref. No. 1 and 2 page 59 and page 60			
	Finish	Left	Right
	Distressed Bronze	2573789	2573790
	Distressed Nickel	2573791	2573792
Escutcheon Plate - Encino® / Exterior No. 3 and 4 page 59 and page 60			
	Finish	Active	Passive
	Distressed Bronze	2573804	2573805
	Distressed Nickel	2573808	2573809
Escutcheon Plate - Encino® / Interior No. 3 and 4 page 59 and page 60			
	Finish	Active	Passive
	Distressed Bronze	2573802	2573803
	Distressed Nickel	2573806	2573807

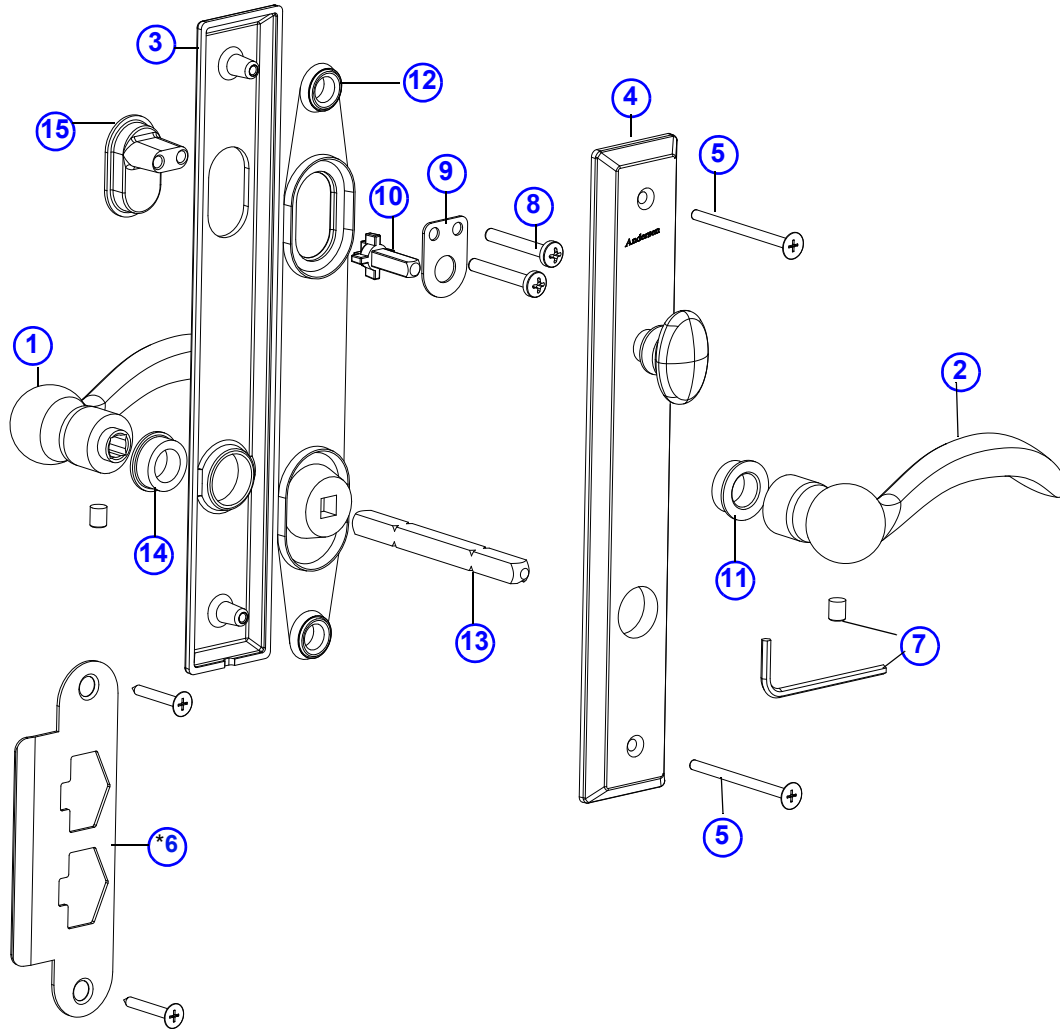
Hardware

Andersen® Hardware - Yuma®

Note:

See [Accessory Guide 0005156](#) for Active Hardware.

*Strike plate “cover” shown is not used (page six from Accessory Guide 0005156) as strike is factory installed.



- | | | |
|---|--|--|
| 1. Exterior Handle (LH Shown) | 6. Strike Plate | 11. Interior Nylon Bushing |
| 2. Interior Handle (RH Shown) | 7. Handle Set Screw (Package) | 12. Trim Set Gasket |
| 3. Active Exterior Escutcheon Plate | 8. Key Cylinder Mounting Bolts | 13. Spindle |
| 4. Active Interior Escutcheon Plate | 9. Lock Limiting Plate | 14. Exterior Nylon Bushing |
| 5. Escutcheon Plate Bolts | 10. Lock Actuator | 15. Dummy Cylinder |

Yuma® Hinged Patio Door Hardware - Single Trim Set

E-Series Hinged Doors (March 2018 to Present)

Single, 2-Panel and Stationary

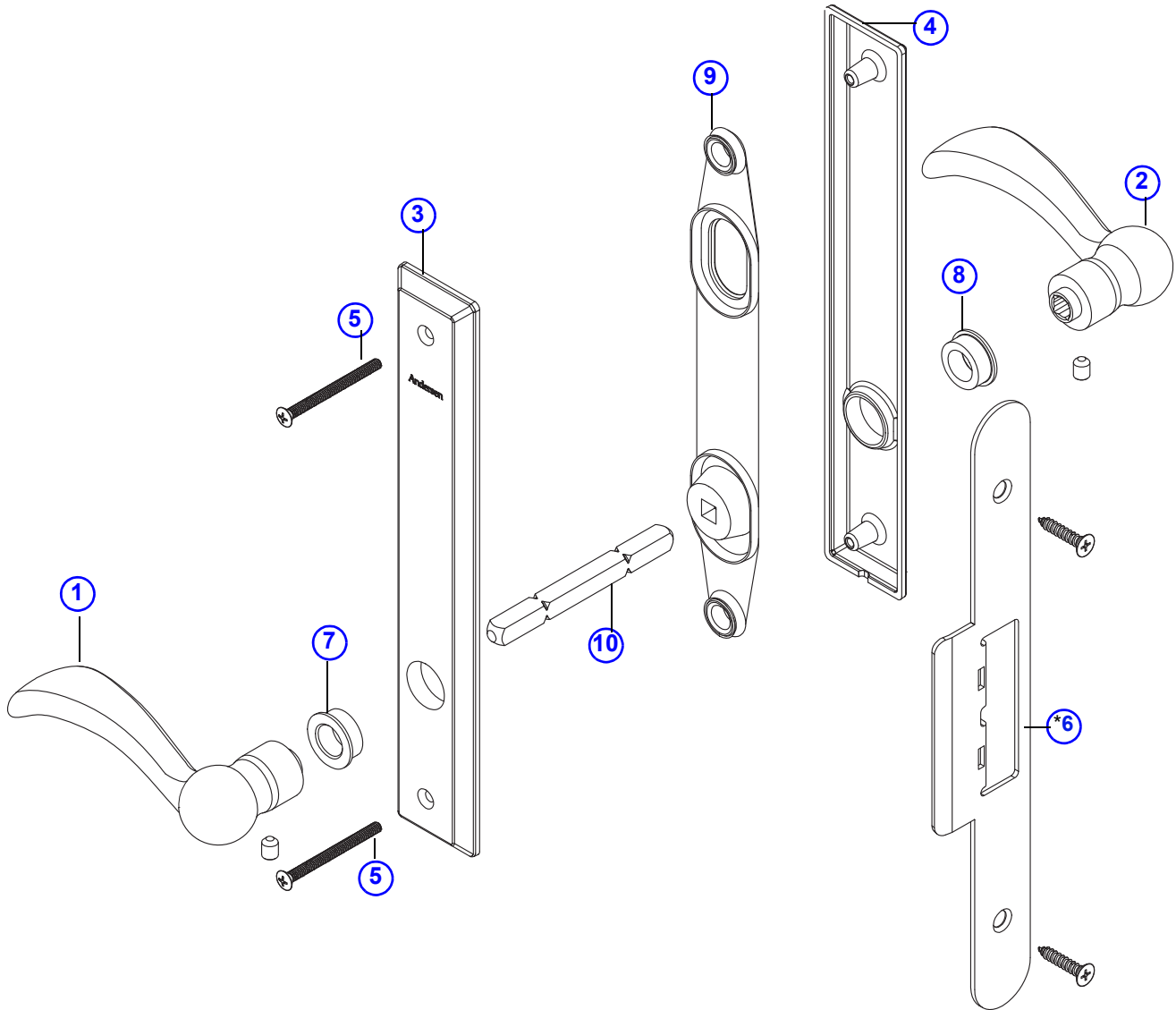
Hardware

Yuma® Hardware - Passive Hardware Illustration

Note:

See [Accessory Guide 0004286](#).

Note: Additional parts with Double Hardware Set



- | | |
|--|---|
| 1. Exterior Handle (LH Shown) | 6. AP/PA Strike Plate |
| 2. Interior Handle (RH Shown) | 7. Interior Nylon Bushing |
| 3. Passive Exterior Escutcheon Plate | 8. Exterior Nylon Bushing |
| 4. Passive Interior Escutcheon Plate | 9. Trim Set Gasket |
| 5. Escutcheon Plate Bolts | 10. Spindle |

Yuma® Hinged Patio Door Hardware - Double Trim Set

Hardware

Complete Trim Set - Yuma® / Interior and Exterior See Illustration page 62 and page 63				
	Finish	Single		Double AP/PA
	Distressed Bronze	2578931		2578932
	Distressed Nickel	2578933		2578934
Trim Set - Yuma® / Interior See Illustration page 34				
	Finish	Single		Double AP/PA
		Left	Right	Order No.
	Distressed Bronze	2572698	2572790	2572699
Distressed Nickel	2572703	2572792	2572705	
Trim Set - Yuma® / Exterior See Illustration page 35				
	Finish	Single		Double AP/PA
		Left	Right	Order No.
	Distressed Bronze	2572654	2572768	2572655
Distressed Nickel	2572658	2572770	2572659	

Handle with Screws - Yuma® Ref. No. 1 and 2 page 62 and page 63			
	Finish	Left	Right
	Distressed Bronze	2573789	2573790
	Distressed Nickel	2573791	2573792
Escutcheon Plate - Yuma® / Exterior Ref. No. 3 and 4 page 62 and page 63			
	Finish	Active	Passive
	Distressed Bronze	2573812	2573813
	Distressed Nickel	2573816	2573817
Escutcheon Plate - Yuma® / Interior Ref. No. 3 and 4 page 62 and page 63			
	Finish	Active	Passive
	Distressed Bronze	2573810	2573811
	Distressed Nickel	2573814	2573815

E-Series Hinged Doors (March 2018 to Present)

Single, 2-Panel and Stationary

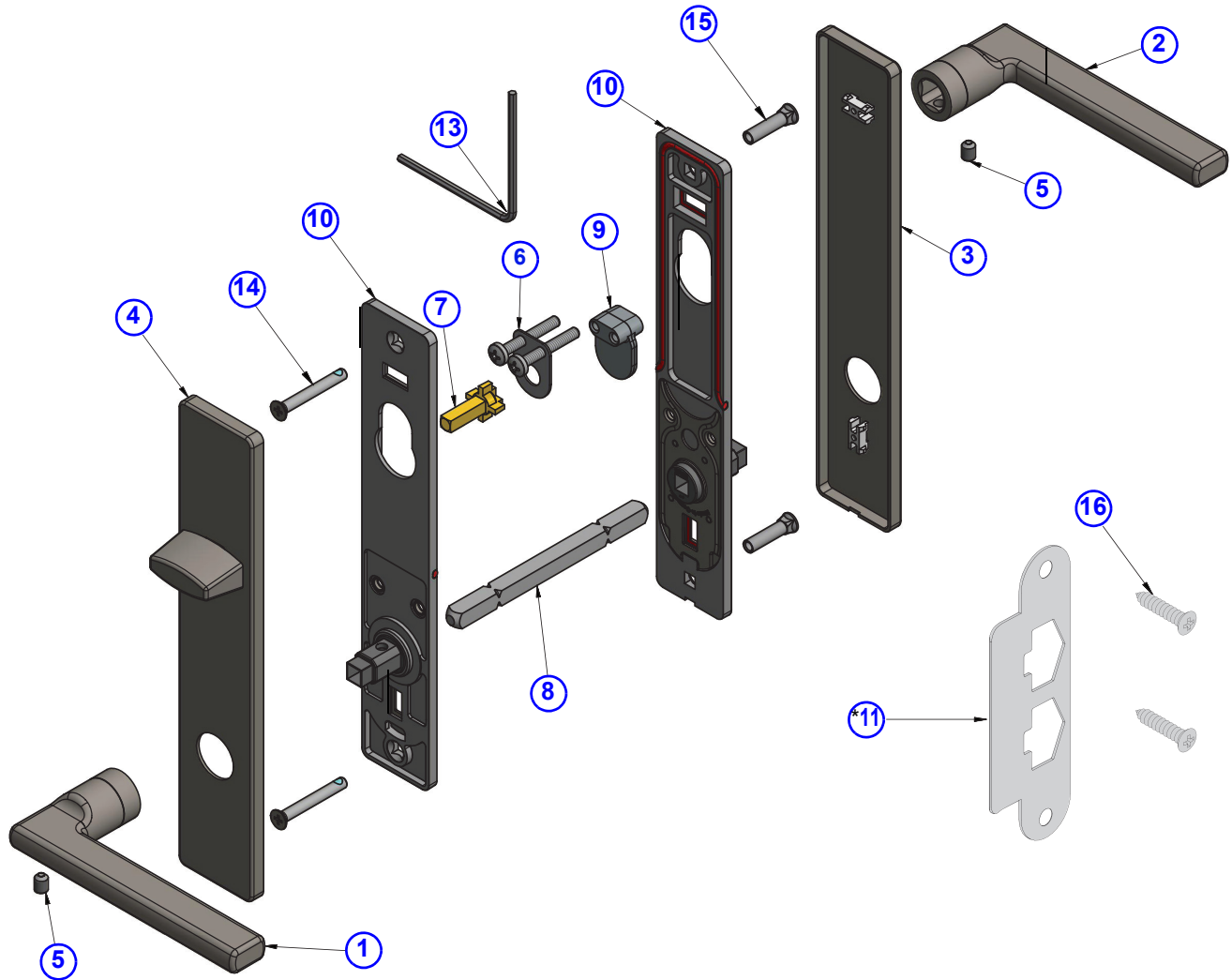
Hardware

Designer Hardware - FSB®

Note:

See [Accessory Guide 9173980](#). FSB® 1035 Style shown.

*Strike plate "cover" shown is not used as strike is factory installed.



- | | | |
|---|--|--|
| 1. Interior Handle | 6. Lock Limiting Plate | 11. *Strike Plate (Single) |
| 2. Exterior Handle | 7. Lock Actuator | 13. Hex Key (3MM) |
| 3. Active Exterior Escutcheon Plate | 8. Spindle | 14. Escutcheon Base Plate Screw |
| 4. Active Interior Escutcheon Plate | 9. Screw Retainer | 15. Escutcheon Base Plate Sleeve |
| 5. Handle Set Screw | 10. Base Plate | 16. Strike Plate Screw |

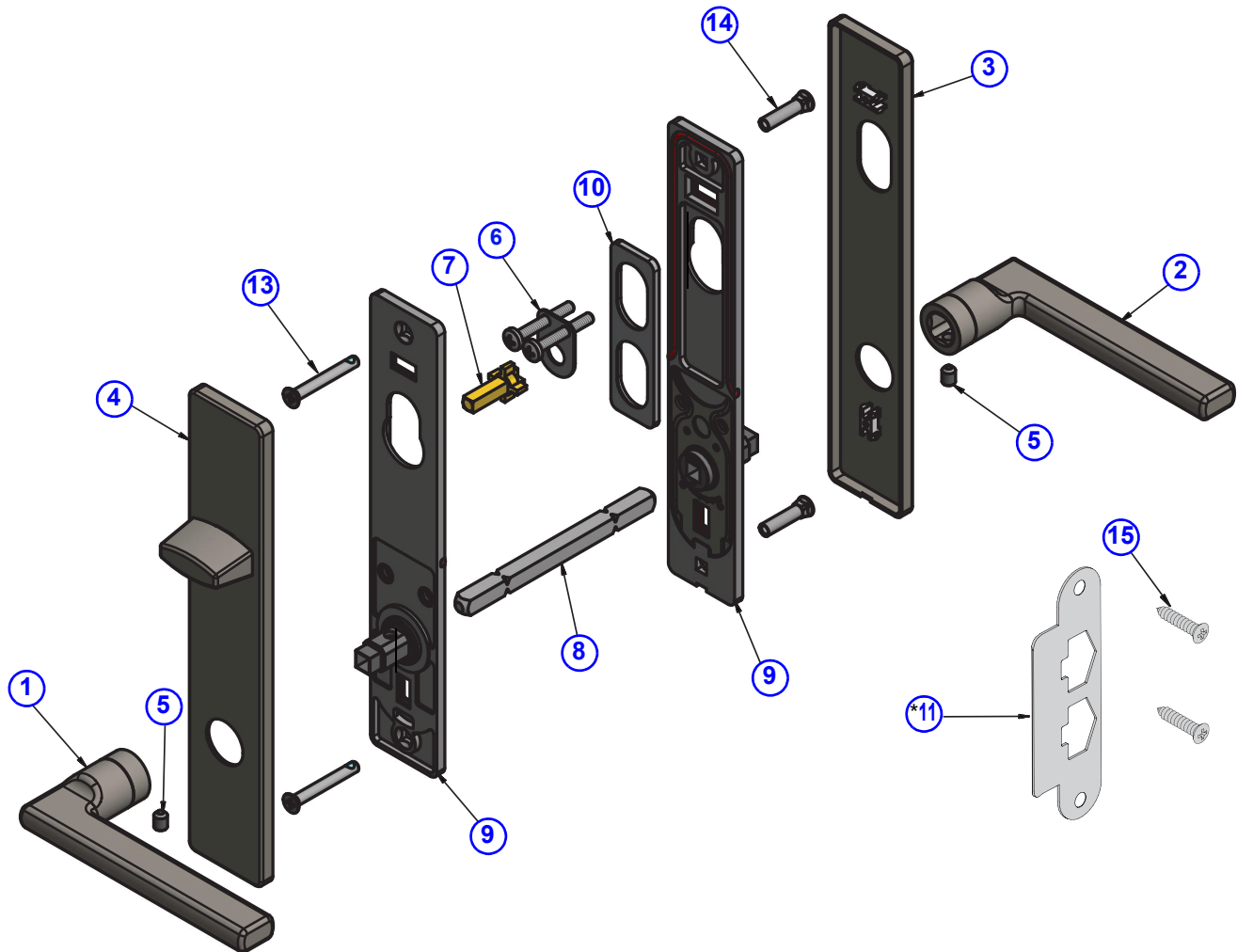
FSB® Hinged Patio Door Hardware - Single Trim Set

Hardware

FSB® Hardware - Keyed Lock Illustration

Note:

See [Accessory Guide 9173980](#). 1035 Style shown with keyed lock version. *Strike plate "cover" shown is not used as strike is factory installed.



- | | | |
|---|--|--|
| 1. Interior Handle | 7. Lock Actuator | 13. Escutcheon Base Plate Screw |
| 2. Exterior Handle | 8. Spindle | 14. Escutcheon Base Plate Sleeve |
| 3. Active Exterior Escutcheon Plate | 9. Base Plate | 15. Strike Plate Screw |
| 4. Active Interior Escutcheon Plate | 10. Gasket | |
| 5. Handle Set Screw | 11. *Strike Plate (Single) | |
| 6. Lock Limiting Plate | | |

FSB Hinged Patio Door Hardware - Single Trim Set

E-Series Hinged Doors (March 2018 to Present)

Single, 2-Panel and Stationary

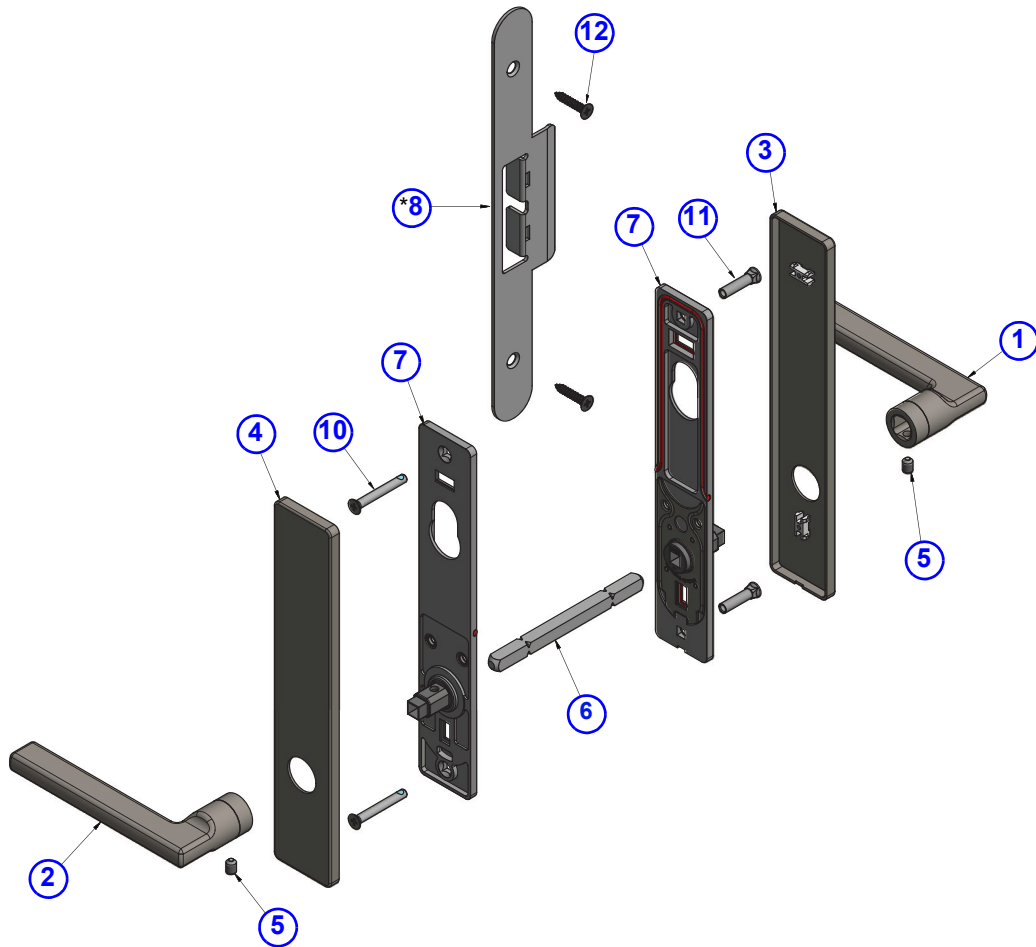
Hardware

FSB® Hardware - Passive Hardware Illustration

Note:

See [Accessory Guide 9173980](#). FSB® 1035 Style shown. *Strike plate “cover” shown is not used as strike is factory installed.

Note: Additional parts with Double Hardware Set



- | | |
|--|--|
| 1. Exterior Handle | 7. Base Plate |
| 2. Interior Handle | 8. *Strike Plate (AP/PA) |
| 3. Passive Exterior Escutcheon Plate | 10. Escutcheon Base Plate Screw |
| 4. Passive Interior Escutcheon Plate | 11. Escutcheon Base Plate Sleeve |
| 5. Set Screw | 12. Strike Plate Screw |
| 6. Spindle | |

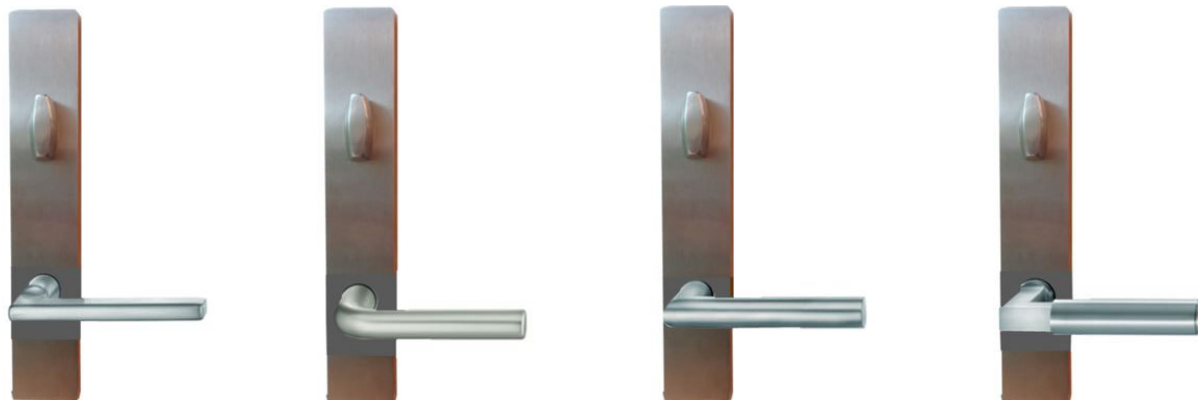
FSB Hinged Patio Door Hardware - Double Trim Set

Hardware

Complete Trim Set Ref. contents shown in illustrations on [page 65](#) and [page 66](#) and [page 67](#)

Note:

[Keyed lock](#) sold separately.



1035

1075

1076

1102

Type	Non-Keyed				Keyed			
	Black Anodized		Satin Stainless Steel		Black Anodized		Satin Stainless Steel	
	Single	Double AP/PA	Single	Double AP/PA	Single	Double AP/PA	Single	Double AP/PA
1035	9184744	9184750	9172936	9172944	9184747	9184753	9172940	9172948
1075	9184745	9184751	9172937	9172945	9184748	9184754	9172941	9172949
1076	9184746	9184752	9172938	9172946	9184749	9184755	9172942	9172950
1102			9172939	9172947			9172943	9172951

Handle with Screws - FSB® Ref. No. 1 and 2 [page 65](#) and [page 66](#) and [page 67](#)

Type	Black Anodized		Satin Stainless Steel	
	Left	Right	Left	Right
	1035	9184760	9184759	9173722
1075	9184762	9184761	9173724	9173723
1076	9184764	9184763	9173726	9173725
1102			9173728	9173727

Escutcheon Plate - FSB® / Exterior Ref. No. 3 and 4 [page 65](#) and [page 66](#) and [page 67](#)

Note:

All styles (1035, 1075, 1076 and 1102) use the same interior/exterior escutcheon plate.

Finish	Active (Non-Keyed)	Active (Keyed Lock)	Passive
SS Steel	9173719	9173720	9173719
Black Anodized	9184757	9184758	9184757

Escutcheon Plate - FSB® / Interior Ref. No. 3 and 4 [page 65](#) and [page 66](#) and [page 67](#)

Finish	Active	Passive
SS Steel	9173718	9173719
Black Anodized	9184756	9184757

Escutcheon Base Plate Assembly - FSB® Ref. No. 10 [page 65](#) and [page 66](#) and [page 67](#)

Finish	Order No.
Zinc	9173729

E-Series Hinged Doors (March 2018 to Present)

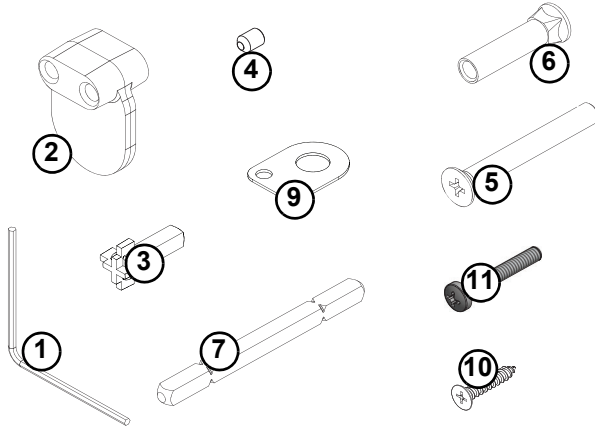
Single, 2-Panel and Stationary

Hardware

Screw Package - FSB®

Note:

FSB style hardware uses a unique screw pack. See PKD 1150.



Ref. No.	Double Package Includes
1	2 - Hex Key 3MM
2	1 - Screw Retainer
3	1 - Lock Actuator
4	4 - Set Screw 3MM
5	4 - Escutcheon Base Plate Screw
6	4 - Escutcheon Base Plate Sleeve Nut
7	2 - Spindle
9	1 - Lock Limiting Plate
10	2 - Strike Plate Screws (Satin Nickel) #10 - 13 x 1" PH FL undercut wood
11	2 - Keyed Cylinder Mounting Bolt M5 x .8 - 35mm PH w/#10 fill HD mach zinc

Finish	Single	Double
Stainless Steel	9173735	9173736
Black	9184911	9184912

Screw Pack - FSB®

Note:

FSB style uses unique set screw.

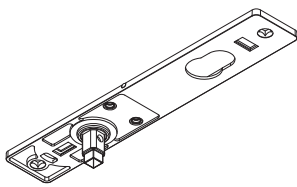


Order No.
9173731

Base Plate - FSB®

Note:

Use for FSB style trim sets.

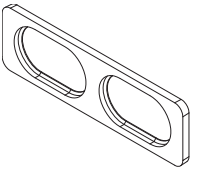


Order No.
9173729

Hardware

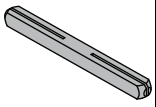
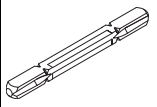
Gasket - FSB® / Keyed Lock

Note:
Used with keyed lock exterior escutcheon plate.

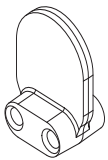
		Order No.
		9173734

Spindle - FSB®

Note:
FSB style hardware uses unique spindle.

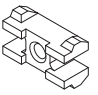
					
Standard	Retrofit				
		4 ⁵ / ₈	9173732	9173737	

Screw Retainer - FSB®

		Order No.
		9173733

Escutcheon Plate Clip FSB®

Note:
Secures to back side of escutcheon plate.

		Order No.
		9173730

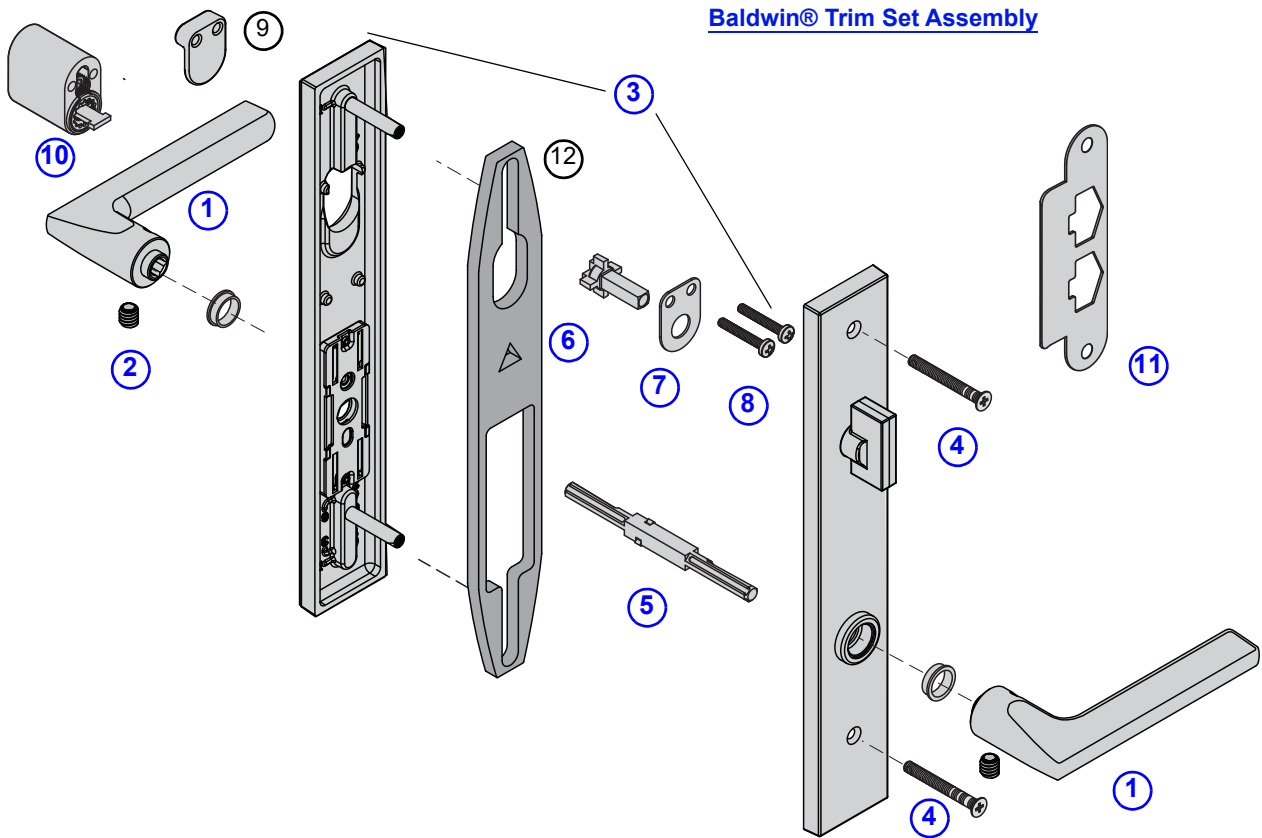
Designer Hardware - Baldwin®

Baldwin® Designer Hardware - Active

Note:

See [Accessory Guide 9208753](#). 5162 handle style shown.

Escutcheon plate routed for keyed lock but does not include keyed lock. [Keyed lock](#) sold separately.



1. [Handle](#)
2. [Handle Set Screw](#)
3. [Active Escutcheon Plate](#)
4. [Escutcheon Plate Screw](#)
5. [Spindle](#)
6. [Lock Actuator](#)
7. [Lock Limiting Plate](#)
8. [Key Cylinder Mounting Bolts](#)
9. Screw Retainer used with Non-Keyed Sets
10. [Used with Keyed Lock Sets](#)
11. [Strike Plate \(Inswing Only\)](#)
12. Escutcheon Gasket (Same on Active and Passive)

Baldwin® Hinged Patio Door Hardware - Single Active Trim Set

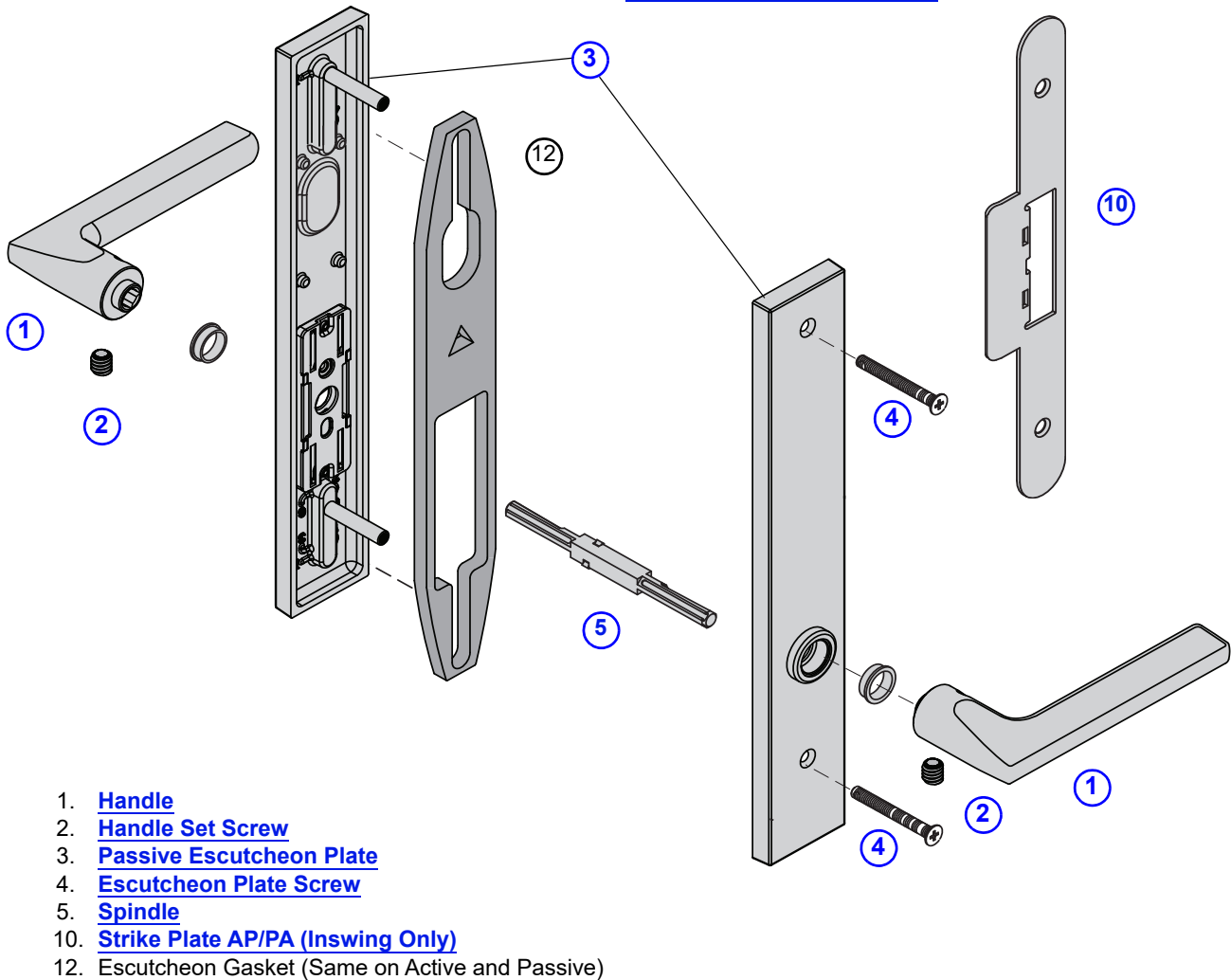
Hardware

Baldwin® Designer Hardware - Passive

Note:

Additional parts with Double Hardware Set. See [Accessory Guide 9208753](#). 5162 handle style shown.

Baldwin® Trim Set Assembly



Baldwin® Hinged Patio Door Hardware - Double Passive Trim Set

Complete Trim Sets - Baldwin® / Interior and Exterior






Note:

Active and Passive Trim Sets are configured to order.

E-Series Hinged Doors (March 2018 to Present)

Single, 2-Panel and Stationary

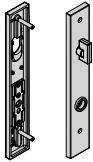
Hardware


Handle with Screws - Baldwin® L021 Ref. No. 1 on page 71				
		Finish	Left	Right
		Non-Lacquered Brass	9208359	9208395
		Oil Rubbed Bronze	9208361	9208391
		Satin Black	9208357	9208387
		Satin Brass	9208358	9208388
		Satin Nickel	9208358	9208388
Handle with Screws - Baldwin® L023 Ref. No. 1 page 71				
		Finish	Left	Right
		Non-Lacquered Brass	9208360	9208390
		Oil Rubbed Bronze	9208366	9208396
		Satin Black	9208362	9208392
		Satin Brass	9208364	9208394
		Satin Nickel	9208363	9208393
Handle with Screws - Baldwin® 5162 Ref. No. 1 page 71				
		Finish	Left	Right
		Non-Lacquered Brass	9208355	9208385
		Oil Rubbed Bronze	9208356	9208388
		Satin Black	9208352	9208382
		Satin Brass	9208354	9208384
		Satin Nickel	9208353	9208383
Handle with Screws - Baldwin® 5173 Ref. No. 1 page 71				
		Finish	Left	Right
		Non-Lacquered Brass	9208380	9208410
		Oil Rubbed Bronze	9208381	9208411
		Satin Black	9208377	9208407
		Satin Brass	9208379	9208409
		Satin Nickel	9208378	9208408
Handle with Screws - Baldwin® 455V Ref. No. 1 page 71				
		Finish	Left	Right
		Non-Lacquered Brass	9208375	9208405
		Oil Rubbed Bronze	9208376	9208406
		Satin Black	9208372	9208402
		Satin Brass	9208374	9208404
		Satin Nickel	9208373	9208403

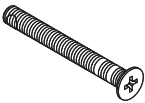
Hardware

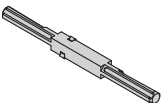
Handle with Screws - Baldwin® 5485V Ref. No. 1 page 71				
		Finish	Left	Right
		Non-Lacquered Brass	9208370	9208400
		Oil Rubbed Bronze	9208371	9208401
		Satin Black	9208367	9208397
		Satin Brass	9208369	9208399
		Satin Nickel	9208368	9208398

Set Screw package w/Wrench - Handle Ref. No. 2 page 71		Order No.
Note: 1 - M5 X 8MM knurl cup point set screw		9207269

Plate, Escutcheon Active - Baldwin® Ref. No. 3 page 71				
Note: Baldwin escutcheon plates are sold as pairs both interior and exterior.				
		Finish	Keyed Lock	Non-Keyed
		Non-Lacquered Brass	9208340	9208345
		Oil Rubbed Bronze	9208341	9208346
		Satin Black	9208337	9208342
		Satin Brass	9208339	9208344
		Satin Nickel	9208338	9208343

Plate, Escutcheon Passive - Baldwin® Ref. No. 3 page 72			
	Note: Baldwin escutcheon plates are sold as pairs both interior and exterior.	Finish	Part No.
		Non-Lacquered Brass	9208350
		Oil Rubbed Bronze	9208351
		Satin Black	9208347
		Satin Brass	9208349
		Satin Nickel	9208348

Screw Package - Escutcheon Screw Kits - Baldwin® Ref. No. 5 page 71			
	Note: Screw pack contains:(4) Screws, #8-32 UNC	Finish	Order No.
		Non-Lacquered Brass	9207265
		Oil Rubbed Bronze	9207264
		Satin Black	9207264
		Satin Brass	9207262
		Satin Nickel	9207263

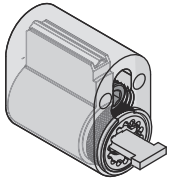
Spindle, Baldwin Hardware Ref. No. 5 page 71		
Note: Baldwin only offers one length of spindle for both 1.75" and 2.25" doors.		
	Length	Order No.
	4 1/2"	9207268

E-Series Hinged Doors (March 2018 to Present)

Single, 2-Panel and Stationary

Hardware

Keyed Lock - Baldwin® Ref. No. 10 [page 71](#)



Note:

Baldwin can only be keyed alike to Baldwin locks.

Finish	Order No.
Non-Lacquered Brass	9207266
Oil Rubbed Bronze	9207266
Satin Black	9207266
Satin Brass	9207266
Satin Nickel	9207267

Hardware

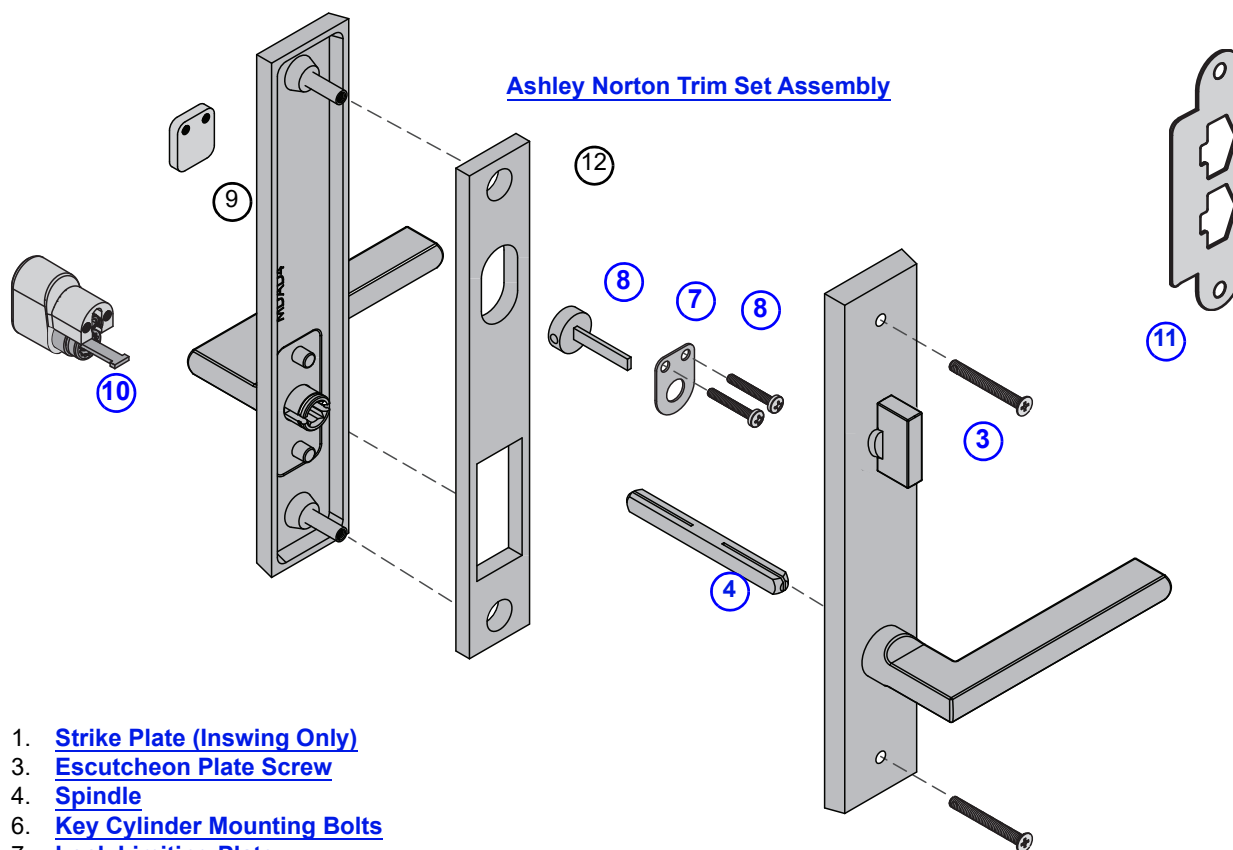
Designer Hardware - Ashley Norton

Ashley Norton Designer Hardware - Active

Note:

See [Accessory Guide 9208751](#).

Escutcheon plate routed for keyed lock but does not include keyed lock. [Keyed lock](#) sold separately.

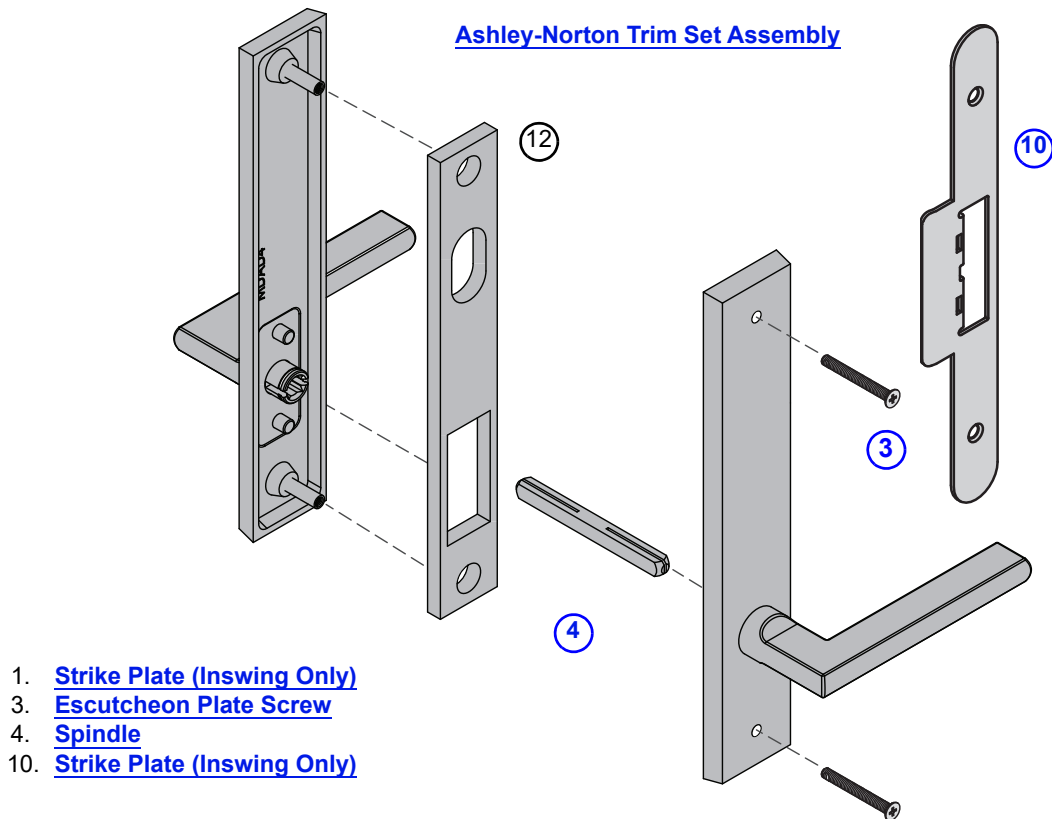


1. [Strike Plate \(Inswing Only\)](#)
3. [Escutcheon Plate Screw](#)
4. [Spindle](#)
6. [Key Cylinder Mounting Bolts](#)
7. [Lock Limiting Plate](#)
8. [Lock Actuator](#)
9. Screw Retainer - Used on Non-Keyed Lock Sets
10. [Keyed Lock - Used on Keyed Lock Sets](#)
11. [Strike Plate \(Inswing Only\)](#)
12. Escutcheon Gasket (Same on Active and Passive)

Hinged Patio Door Hardware - Single Active Trim Set

Ashley Norton Hardware - Passive

Note: Additional parts with Double Hardware Set



Hinged Patio Door Hardware - Double Passive Trim Set

Complete Trim Set - Ashley Norton / Interior and Exterior

Note:

Active and Passive Trim Sets are configured to order.

Handle with Screws - Ashley Norton [page 76](#)

Note:

Handles and escutcheon plate are permanently attached to together. Parts are only available in the complete trim set.

Plate, Escutcheon Active and Passive - Ashley Norton [page 76](#)

Note:

Escutcheon plate and handles are permanently attached to together. Parts only available in the complete trim set.

Hardware

Screw Package - Escutcheon Screw Kits / Ashley-Norton Ref. No. 3 [page 76](#)

Note:

Ashley Norton screw pack contains:

(4) Screws, #8-32 UNC X 2.75"

(4) Screws, #8-32 UNC X 2.25"

		Finish	Order No.
		Dark Bronze	9207255
		Dark Oil Rubbed	9207255
		Flat Black	9207255
		Matte Black	9207255
		Natural Bronze	9207252
		Polished Chrome	9207253
		Polished Nickel	9207254
		Satin Nickel	9207251
		White Bronze	9207251
		White Medium	9207256

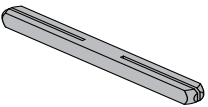
Keyed Lock - Ashley-Norton Ref. No. 3 [page 76](#)

Note:

Ashley-Norton can only be keyed alike to Ashley-Norton locks.

		Finish	Order No.
		Dark Bronze	9207257
		Dark Oil Rubbed	9207257
		Flat Black	9207257
		Matte Black	9207257
		Natural Bronze	9207258
		Polished Chrome	9207259
		Polished Nickel	9207259
		Satin Nickel	9207259
		White Bronze	9207259
	White Medium	9207259	

Replacement Parts Kit / Ashley Norton (For "standard" 1 3/4" door) Ref. No. 4, 6, 7 and 8 [page 76](#)

	<p>Note: Ashley style hardware uses unique spindle and available in the part kit.</p> <p>Kit Includes:</p> <ul style="list-style-type: none"> (1) Spindle 95 MM (1) Lock Actuator (1) Allen Wrench (4) Screws M4 x 8mm Knurl Cup Pt (2) Screws M4 X .8-30mm PH W/19 Fill Hd Mach Zinc (1) Limiting Plate Thick (1) Limiting Plate Thin 	Order No.
		9207260

E-Series Hinged Doors (March 2018 to Present)

Single, 2-Panel and Stationary

Hardware

Hardware Screw Pack / Ashley Norton (for "standard" 1 3/4" door)		
	Kit Includes: (1) Spindle 95 MM (1) Lock Actuator (1) Allen Wrench (4) Screws M4 x 8mm Knurl Cup Pt (2) Screws M4 X .8-30mm PH W/19 Fill Hd Mach Zinc (1) Limiting Plate Thick (1) Limiting Plate Thin	Order No. 9207260

Hardware Screw Pack / Ashley Norton - 2 1/4" thick panel		
	Kit Includes: (1) Spindle 108 mm (1) Lock Actuator 28mm	Order No. 9207261

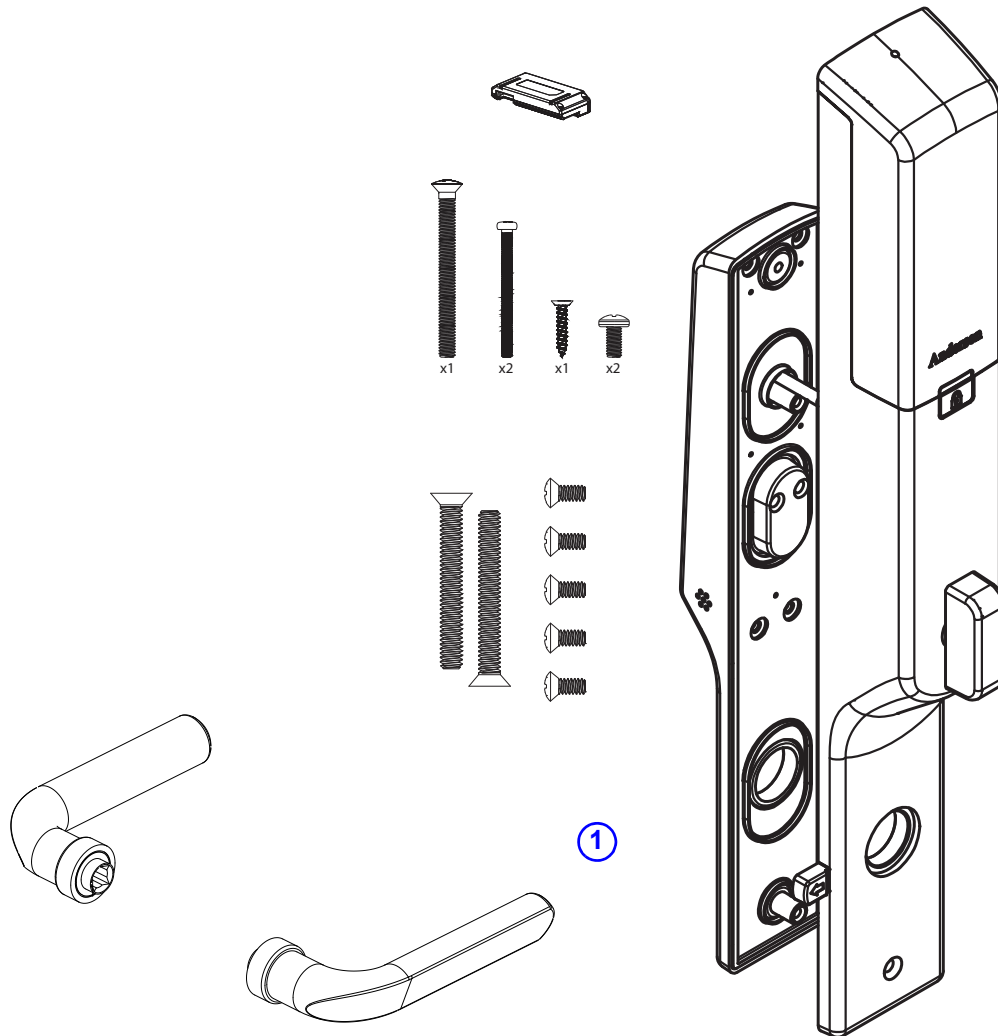
Hardware

Yale® Assure Lock®

Yale® Assure Lock® Hardware - Interior / Exterior

Note:

See [Accessory Guide](#) and [FAQ](#). Can be used on new doors as well as retro-fitted on installed doors.



1. [Assure Lock Trim Set Assembly](#)

Yale® Assure Lock® (YRM 476) Hinged Patio Door Hardware - Active Single Trim Set

E-Series Hinged Doors (March 2018 to Present)

Single, 2-Panel and Stationary

Hardware

Trim Set - Assure Lock / Anvers® See Illustration [page 80](#)

Note:

Replacement parts for Yale locks need to be ordered from Yale. See [Replacement Components](#) and [FAQ](#).

	Finish	Base	Z-Wave	Wi-Fi/Bluetooth
	Satin Nickel	9183848	9173096	9183851
	White	9183846	9173094	9183849
	Black	9183847	9173095	9183850

Trim Set - Passive / Anvers® See Illustration [page 43](#)

	Finish	Order No.
	Satin Nickel	9173105
	White	9173103
	Black	9173104





Hardware Kit See Illustration [page 80](#)

	Order No.
	9183854

Hardware Kit - Yale Assure®

Note:

See [Accessory Guide](#).

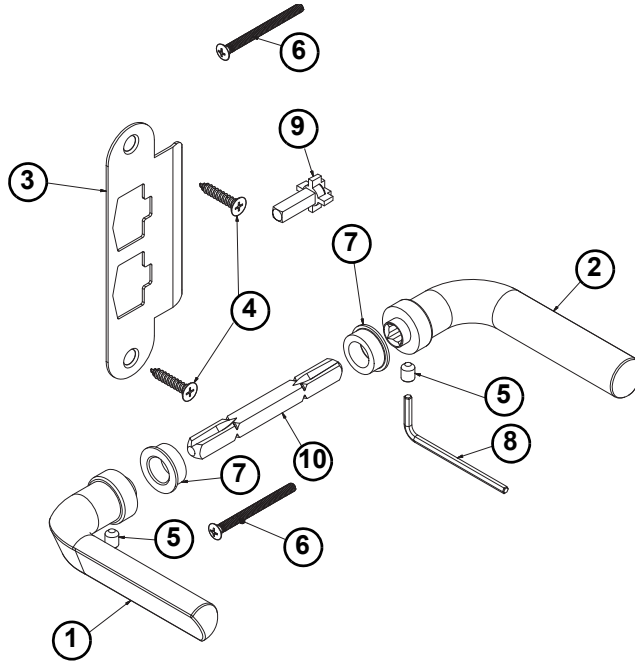
		Order No.
		9203397
Ref. No.	Kit Includes	
1	Door position sensor	
2	Lock mounting screws	
3	Sensor magnets and covers	
4*	Lock actuator spacers	
5	Battery cover release pin	
<p>*A spacer may be required to correctly install lock. There are three (3) options in your lock kit. See chart to select the correct spacer for your application.</p>		
Door Type	Spacer Color	Spacer
A-Series - Outswing Only	N/A	None
A-Series Inswing. E-Series 1.75" In and Outswing E-Series 2.25" Inswing 400 Series 1.75" Inswing	Black	
200 Series 1.75" All E-Series - 2.25" Outswing Only	White	
E-Series - Architect Entrance Door and Folding Doors Sold Separately. (Provided when ordering thick door kit part number AYRM-270-TDK.)	Gray	

Hardware

Radio - Module See Illustration [page 80](#)

	Z-Wave	Wi-Fi/Bluetooth
	9183852	9183853

Assure Lock Handle Set - Single / Anvers®



Ref. No.	Package Includes
1	Handle (RH shown)
2	Handle (LH shown)
3	Strike Plate - Single
4	Strike Plate Screws
5	Handle Set Screw
6	Escutcheon Plate Screw
7	Bushing
8	Allen Wrench
9	Lock Actuator
10	Spindle

Finish	Order No.
Satin Nickel	9173108
White	9173106
Black	9173107

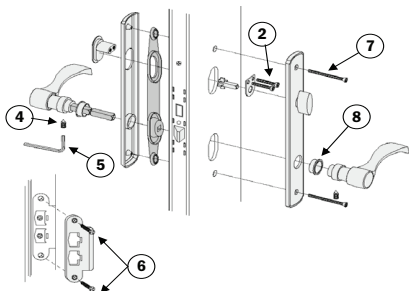
E-Series Hinged Doors (March 2018 to Present)

Single, 2-Panel and Stationary

Hardware

Andersen® Shared Trim Set Parts

Screw Package - Trim Set / Other Hardware Styles (2009 to Present)



Ref. No.	Andersen Package Includes
6	2 - screw, #10 - 13 x 1" PH FL undercut wood
7	4 - screw, #8 - 32 UNC x 2 PH oval head mach
2	2 - screw, M5 x .8 - 35mm PH w/#10 fill HD mach zinc
8	4 - bushing, trim adaptor
4	4 - screw, 1/4 - 20 UNC SS knurled cup point set
5	1 - 1/8 allen wrench

Note:

- Chrome used for Brushed Chrome and Polished Chrome finishes.
- To receive a white bushing order a Satin Nickel trim set screw pack.
- To receive a black bushing order an Oil Rubbed Bronze trim set screw pack.
- Albany style introduced in 2009.

Finish	Andersen
Antique Brass	2579757
Black (Albany)9	9019320
Bright Brass	2579756
Chrome	N/A
Distressed Bronze	2579760
Distressed Nickel	2573819
Gold Dust (Albany)	N/A
Oil Rubbed Bronze	2579760
Satin Nickel	2579390
Stone (Albany)	9056230
White (Albany)	9056231

Set Screw Package w/wrench - Handle



Andersen Package Includes:

- 4 - 1/4-20 UNC knurled cup point set screws
- 1 - 1/8 Allen wrench

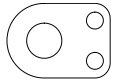
Note:

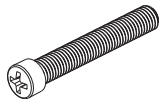
Replacement set screw finish may not match original.
Set Screw Package is included in trim set hardware pack [page 83](#).

Order No.



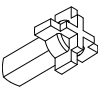
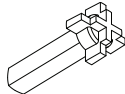
2579829

Hardware

Lock Limiting Plate		
		Order No.
		2579540

Key Cylinder Mounting Bolt		
	Description	Order No.
	Qty 2 - M5 x .8-35mm, PH with #10 fill HD, mach, zinc Note: Key cylinder mounting bolt is included in trim set hardware pack page 83 ..	2579824

Spindle			
		Length	Order No.
		3 3/4	2579830
		4 3/4	2579831
		5 3/4	2579832

Lock Actuator			
Note: See Lock Actuator Replacement Video . Unique depending on panel thickness. Lock actuator used as standard is 1 5/32 long and lock actuator used for thick panel (2 1/4) is 1 21/32 long.			
 		Standard	Thick (2 1/4)
		2579542	9050896
			
Standard	Thick (2 1/4)		

E-Series Hinged Doors (March 2018 to Present)

Single, 2-Panel and Stationary

Hardware

Andersen® Shared Andersen® Key Lock Parts


Keyed Lock - Andersen®

Note:

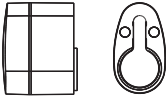
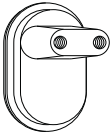
See [Accessory Guide 0005155](#). Parts included: lock spacer, tail piece seal, spacer gasket, seal, key cylinder, housing, and key. Keyed alike assembly only available in quantities of two or more. FSB® stainless steel finish hardware uses satin nickel finish.


 Tribeca®	Finish	Keyed Assembly	Keyed Alike Assembly
	Stone (Tribeca®)	2579722	9056143
	Stone (Albany)	9007621	9056142
	White (Tribeca®)	2579721	9056145
	White (Albany)	9007620	9056144
	Antique Brass	2579519	9056133
	Bright Brass	2579499	9056135
	Polished Chrome	2579596	9056140
	Brushed Chrome	2579753	9056136
	Satin Nickel/FSB®	2579457	9056141
	Oil Rubbed Bronze/ Distressed Bronze	2579752	9056139
	Distressed Nickel	2573827	9056137
	Gold Dust	N/A	9056138
	Black (Albany)	9007623	9056134
	Black (Tribeca®)	9184683	9184692

Lock Cylinder with Keys

  Bright Brass  Chrome  Oil Rubbed Bronze	<p>Note: Lock cylinders are available in three finishes: Bright Brass, Chrome and Oil Rubbed Bronze. The table to the right shows the recommended selection for each trim set finish.</p>	Finish	Order No.
		Stone (Albany)	2579641
		White (Tribeca®)	2579641
		White (Albany)	2579641
		Antique Brass	2579637
		Bright Brass	2579637
		Polished Chrome	2579641
		Brushed Chrome	2579641
		Satin Nickel	2579641
		Oil Rubbed Bronze	2579389
		Distressed Bronze	2579389
		Distressed Nickel	2579641
		Gold Dust	2579641
		Black	2579389

Hardware

Lock Set Dummy Cylinder																																
 <p>Tribeca®</p>  <p>All Other Andersen® Styles</p>	<p>Note: Old style and current vintage cylinders are interchangeable.</p> <p>* 060 Antique Brass finish was offered for sale from 1/99 to 7/99. The finish is commonly referred to as "chocolate brown."</p>	<table border="1"> <thead> <tr> <th>Finish</th> <th>Order No.</th> </tr> </thead> <tbody> <tr> <td>Stone (Tribeca®)</td> <td>2579860</td> </tr> <tr> <td>Stone (Albany)</td> <td>9056226</td> </tr> <tr> <td>White (Tribeca®)</td> <td>2579847</td> </tr> <tr> <td>White (Albany)</td> <td>2579847</td> </tr> <tr> <td>Antique Brass</td> <td>2579581</td> </tr> <tr> <td>Bright Brass</td> <td>2579621</td> </tr> <tr> <td>Polished Chrome</td> <td>2579582</td> </tr> <tr> <td>Brushed Chrome</td> <td>N/A</td> </tr> <tr> <td>Satin Nickel</td> <td>2579438</td> </tr> <tr> <td>Oil Rubbed Bronze</td> <td>2579963</td> </tr> <tr> <td>Distressed Bronze</td> <td>2573781</td> </tr> <tr> <td>Distressed Nickel</td> <td>2573782</td> </tr> <tr> <td>Gold Dust</td> <td>N/A</td> </tr> <tr> <td>Black</td> <td>9056229</td> </tr> </tbody> </table>	Finish	Order No.	Stone (Tribeca®)	2579860	Stone (Albany)	9056226	White (Tribeca®)	2579847	White (Albany)	2579847	Antique Brass	2579581	Bright Brass	2579621	Polished Chrome	2579582	Brushed Chrome	N/A	Satin Nickel	2579438	Oil Rubbed Bronze	2579963	Distressed Bronze	2573781	Distressed Nickel	2573782	Gold Dust	N/A	Black	9056229
		Finish	Order No.																													
		Stone (Tribeca®)	2579860																													
		Stone (Albany)	9056226																													
		White (Tribeca®)	2579847																													
		White (Albany)	2579847																													
		Antique Brass	2579581																													
		Bright Brass	2579621																													
		Polished Chrome	2579582																													
		Brushed Chrome	N/A																													
		Satin Nickel	2579438																													
		Oil Rubbed Bronze	2579963																													
		Distressed Bronze	2573781																													
		Distressed Nickel	2573782																													
Gold Dust	N/A																															
Black	9056229																															

Blank Reachout Lock Key		
	<p>Note: Six pin key blank</p>	<p>Order No.</p>
		<p>2573561</p>

E-Series Hinged Doors (March 2018 to Present)

Single, 2-Panel and Stationary

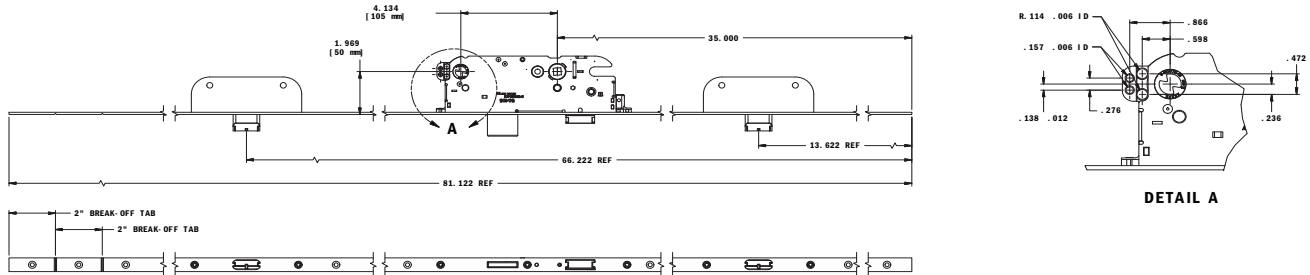
Hardware

Lock Mechanism

Active Lock Mechanism

Note:

7-0 base lock shown below.

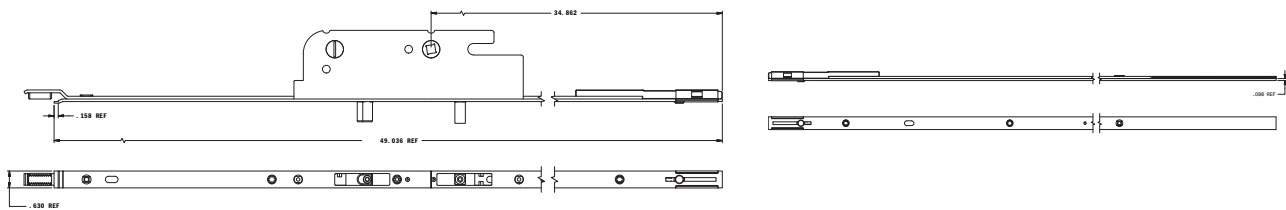


Panel Height	Unit Height	Base Lock	Extension	Base Lock		Extension		
				Left	Right	0117160-A38M	0117150-A784	0117151-A71F
≤ 81 3/16	6-8 and ≤ 7-0	7-0	-	9170322	9170323	-	-	-
> 81 3/16 and < 90 3/16	>7-0 and < 7-9	7-0	12	9170322	9170323	0GU1019	-	-
≥ 90 3/16 and < 93 3/16	7-9 and ≤ 8-0	8-0	-	9170324	9170325	-	-	-
> 93 3/16 and ≤ 99 3/16	>8-0 and < 8-6	8-0	12	9170324	9170325	0GU1019	-	-
> 99 3/16 and ≤ 113 3/16	>8-6 and ≤ 9-8	7-0	9-8	9170322	9170323	-	0GU1046	-
> 113 3/16 and ≤ 117 3/16	>9-8 and ≤ 10-0	7-0	10-0	9170322	9170323	-	-	0GU1045

Passive Lock Mechanism

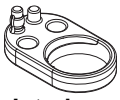

Note:

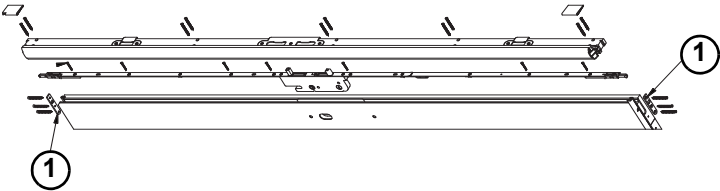
Base lock and extension shown below.



Panel Height	Unit Height	Base Lock	Extension	Extension
69 3/16 and ≤ 77 3/16	6-0 and ≤ 6-8	9170326	6-8	9170372
> 77 3/16 and ≤ 79 3/16	> 6-0 and ≤ 6-10	9170326	6-10	9170373
> 79 3/16 and ≤ 81 3/16	> 6-10 and ≤ 7-0	9170326	7-0	9170374
> 81 3/16 and ≤ 81 57/64	> 7-0 and ≤ 7-0 11/16	9170326	32.5	9170327
> 81 57/64 and < 83 3/16	> 7-0 11/16 and ≤ 7-2	9170326	42.5	9170328
≥ 83 3/16 and ≤ 93 3/16	> 7-2 and ≤ 8-0	9170326	8-0	9170375
> 93 3/16 and ≤ 101 57/64	> 8-0 and ≤ 8-8 11/16	9170326	52.5	9170329
> 101 57/64 and ≤ 111 57/64	> 8-8 11/16 and ≤ 9-6 11/16	9170326	62.5	9170330
> 111 57/64 and ≤ 117 57/64	> 9-6 11/16 and ≤ 10-6 11/16	9170326	10-0	9170331

Hardware

Lock Adapter			
 Interior	 Exterior	Interior (Black)	Exterior (White)
		9172377	9172378

Shoot Bolt Guide		
		
		Order No.
		9172374

Screw			
Note:			
Used to secure lock mechanisms.			
	Active Lock Mechanism		
	Description		Standard
	#8 x 7/16" PFHSMS #6 HEAD SS SCREW		9105316
	Description		Stormwatch
	#8 x 2" PFHSMS TYPE A.S. 18-8 STAINLESS STEEL		0039939
	Passive Lock Mechanism		
	Description		Order No.
	#8 x 2" PFHSMS TYPE A.S. 18-8 STAINLESS STEEL	Finish	
		Stainless Steel	0039939
		Colony White	0039945
	Gold	0039946	
	Antique Brass	0039948	
	Black	0039949	
	Bright Brass	0039950	
Description		Standard	
#7 x 1 1/4" PFHSMS TYPE AB 18-8 SS		0027959	

E-Series Hinged Doors (March 2018 to Present)

Single, 2-Panel and Stationary

Hardware

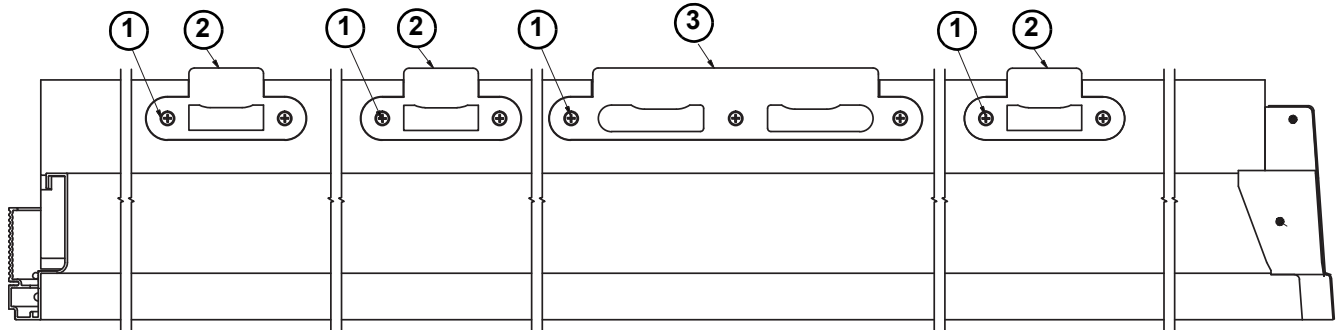
Strikes

Latch Strike Graphic




Note:

4 9/16" high performance shown. Dust cup (not shown in graphic) sits below strike.

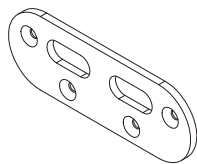
*Stainless steel and black screws used for multiple finishes.



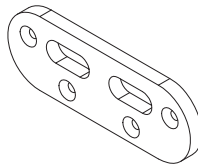
Strike / Latch

Finish	Center Strike Ref. No. 3	Latch Strike (Top/Bottom) Ref. No. 2	Screws Ref. No. 1	Dust Cup Latch Strike (Single)	Dust Cup Center (Double)	Dust Cup Center (Single)
						
Black	9172384	9172396	*9105312	GU2017	9172379	9172380
Gold Dust	9172385	9172397	9173135			
Stone	9172386	9172398	9173136			
White	9172387	9172399	9105791			
Distressed Nickel	9172389	9172401	*0015331			
Oil Rubbed Bronze	9172390	9172402	*9105312			
Satin Nickel	9172391	9172403	*0015331			
Brushed Chrome	9172392	9172404	*0015331			
Polished Chrome	9172393	9172405	*0015331			
Antique Brass	9172394	9172406	9105311			
Bright Brass	9172395	9172407	9105310			

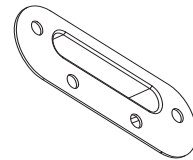
Head and Sill Strike Graphic



Head



Sill

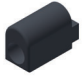

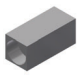



Dust Cup Head

Strike / Head and Sill

	Head	Sill	Dust Cup Head
	9172935	9172375	9172381

Hardware

Latch Bolt Parts		
Blocker Kit / Passive		
	Kit Includes	Order No.
   	(1) Upper Deadbolt Blocker (1) Lower Deadbolt Blocker (2) Cylinder Head Screws	9170377

E-Series Hinged Doors (March 2018 to Present)



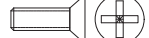
Single, 2-Panel and Stationary

Hardware

Hinge Color Chart

Hinge Chart



Hardware Color	Hinge Color Used	Screw Color Used	Hinge With Hardware Pack	Hinge Screw Pack (Qty 11)	Panel Hinge Screw (Each)	Frame Hinge Machine Screw (Each)
			(1) Hinge (4) #12 x 1 1/2" (2) #12 x 2 1/2" (2) #10 x 5/8 (2) Hinge Shim Cup (2) Hinge Frame Shim-030 (2) Hinge Frame Shim-060	 #12 x 2 1/2"	 #12 x 1 1/2"	 #10-24 x 5/8
Antique Brass	Antique Brass	Antique Brass	9138859	9139541	0002362	9105803
AW White	AW White	AW White	9138858	9139540	0002361	9105807
Black	Black	Black	9138862	9139539	0002360	0006437
Distressed Bronze	Oil Rubbed Bronze	Black	9138863	9139539	0002360	0006437
Oil Rubbed Bronze	Oil Rubbed Bronze	Black	9138863	9139539	0002360	0006437
Bright Brass	Bright Brass	Brass	9138860	9139542	0002363	0006263
Gold Dust	Gold Dust	Gold Dust	N/A	9173141	9173143	9173145
Stone	Gold Dust	Gold Dust	N/A	9173141	9173143	9173145
Brushed Chrome	Satin Chrome	Stainless	9138867	9139543	0002364	0006286
Distressed Nickel	Pewter	Stainless	9138866	9139543	0002364	0006286
Polished Chrome	Bright Chrome	Stainless	9138865	9139543	0002364	0006286
Satin Nickel	Stainless Steel	Stainless	9138864	9139543	0002364	0006286

Hardware

Hinge Parts

Hinge Kits w/screws

		Finish	Order No.
		Antique Brass	9138859
		AW White	9138858
		Black	9138862
		Oil Rubbed Bronze	9138863
		Bright Brass	9138860
		Gold Dust	N/A
		Satin Chrome	9138867
		Pewter	9138866
		Bright Chrome	9138865
		Stainless Steel	9138864

Hinge Screw - Jamb

Note:

5/8" ships as individual screw. 2 1/2" ships as a quantity of 11.

	Description		Description	
	Finish	Order No.	Finish	Order No.
		#10-24 X 5/8 PFHMS		#12 X 2 1/2 PFHMS
	Antique Brass	9105803	Antique Brass	9139541
	Black	0006437	Black	9139539
	Brass	0006263	Brass	9139542
	Gold Dust	9173145	Gold Dust	9173141
	Stainless Steel	0006286	Stainless Steel	9139543
	AW White	9105807	AW White	9139540

Hinge Screw - Panel

	Description	Finish	Order No.
		#12 x 1 1/2 PFHWS	Antique Brass
		Black	0002360
		Brass	0002363
		Gold Dust	9173143
		Stainless Steel	0002364
		AW White	0002361

Hinge Shim/Cup

<p>CUP SHIM</p>		Finish	Size/Type	Order No.
		Black	1/32	0096006
			1/16	0096007
			Cup	0096003

E-Series Hinged Doors (March 2018 to Present)

Single, 2-Panel and Stationary

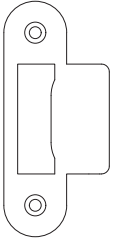
Hardware

Miscellaneous Hardware Parts

Strike Plate - Top / Bottom

Note:

Includes top and bottom strike plate. See screw [color chart](#). Used on both left and right hand lock jambs and/or astragal.

		Finish	Order No.
		Black	9172396
		Gold Dust	9172397
		Stone	9172398
		White	9172399
		Distressed Nickel	9172401
		Oil Rubbed Bronze	9172402
		Satin Nickel	9172403
		Brushed Chrome	9172404
		Polished Chrome	9172405
		Antique Brass	9172406
		Bright Brass	9172407

Screw Pack - Door Lock Jamb Installation

Note:

Includes 9 screws. See screw [color chart](#).

	Description	Finish	Order No.
	#8 x 2 1/2 PH FL	White	By description
		Antique Brass	0078024
		Polished Brass	0078025
		Stainless Steel	0078026
		Black	0078022

Screw Pack - Door

Note:

Includes 6 screws. See screw [color chart](#).

	Description	Finish	Order No.
	#10 x 2 1/2 PH FL	White	0008743
		Antique Brass	0008736
		Brass	0008744
		Stainless Steel	0008746
		Black	0008747
		Bright Chrome	0008737
		Dark Bronze	0008739
		Oil Rubbed Bronze	0008745

Screw Pack - Nail Fin

	Description	Order No.
	#8 x 1/2 PPHWS	0054301

Hardware

Fasteners

Note:

Look for additional screws listed with the part where the screw is used.

When ordering fasteners by description, provide the following details:

Product line (example: AFDI)

Complete size (example: #8 Round Head)

Description and color (example: Stainless Steel)

What it is used for: (example: Screen latch to astragal)

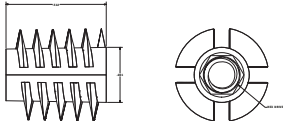
Screw - Strike Plate / Head

	Description	Order No.
	#7 x 5/8" PFHMSM Type 17 Z & Y	0013420

Screw - Sweep

	Description	Order No.
	#8 x 3/4" PPH #2 TEKS SCREW ZINC	0013443

Threaded Insert

	Description	Order No.
	#10-24 Threaded Insert	0002649

Screw - Door Bolt to Astragal

	Description	Finish	Order No.
	#8 X 3/4 TEKS PT, WS, PH, 410 SS	Stainless Steel	0020302

Screw - Sill Strike to Sill

	Description	Finish	Order No.
	#8-32 x 1/2 PH, FH, MACHINE SCREW, SS	Steel	0047576

Screw - Screen Track to Sill

	Description	Finish	Order No.
	#6 x 1/2 PH, FH, TEKS PT, WOOD, 410 SS	Steel	0069449
		Dark Bronze	0K17657

E-Series Hinged Doors (March 2018 to Present)

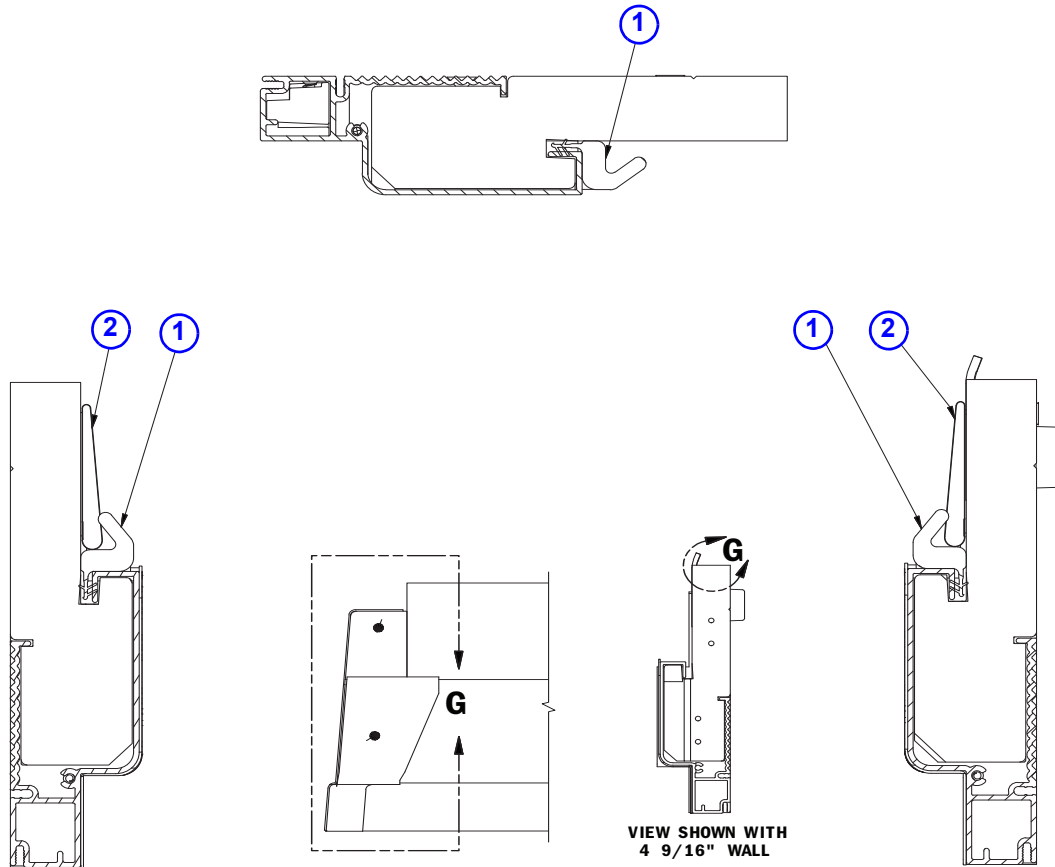
Single, 2-Panel and Stationary

Frames

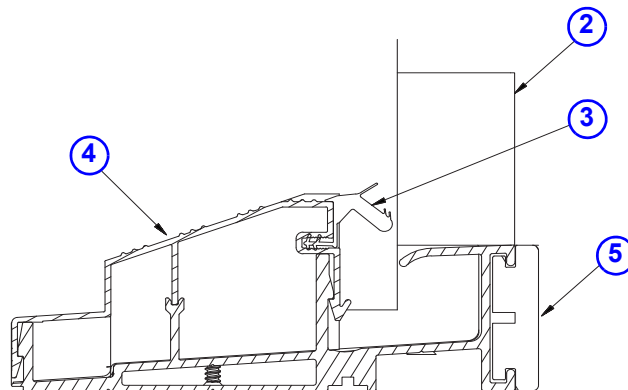
Frame Assembly Illustration / Single (Active)

Note:

Single active 4 9/16 with standard (High Performance) sill shown. See [Architectural Tools](#) for additional door configurations.



- 1. [Weatherstrip](#)
- 2. [Jamb Pad](#)
- 3. [Weatherstrip - Sill](#)
- 4. [Sill Cap](#)
- 5. [Sill Trim](#)



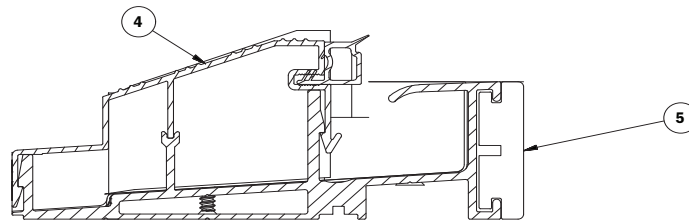
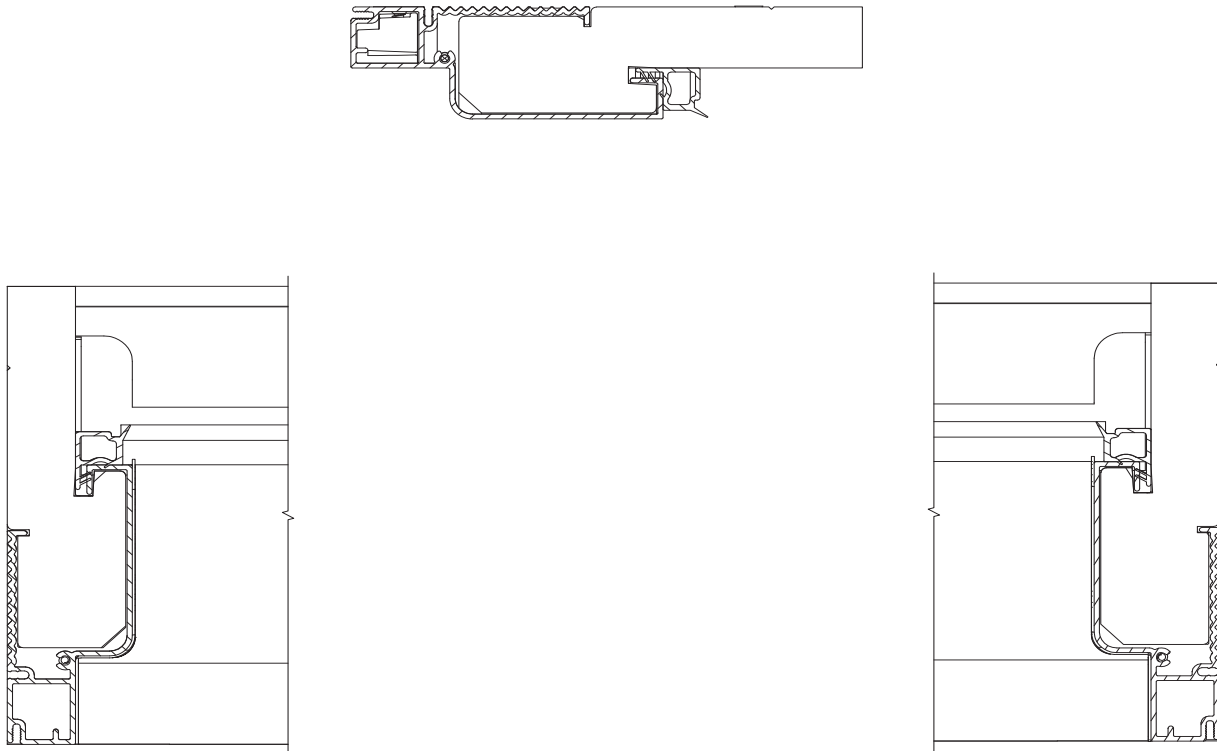
E-Series Hinged Door Frame Assembly

Frames

Frame Assembly Illustration / Single (Stationary)

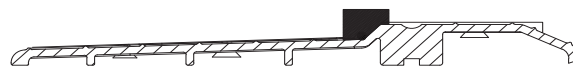
Note:

See [Architectural Tools](#) for additional door configurations.



- 4. [Sill Cap](#)
- 5. [Sill Trim](#)
- 6. [Side Pad](#) (not shown)

HI - PERFORMANCE SILL



ADA SILL

E-Series Hinged Door Frame Assembly

E-Series Hinged Doors (March 2018 to Present)

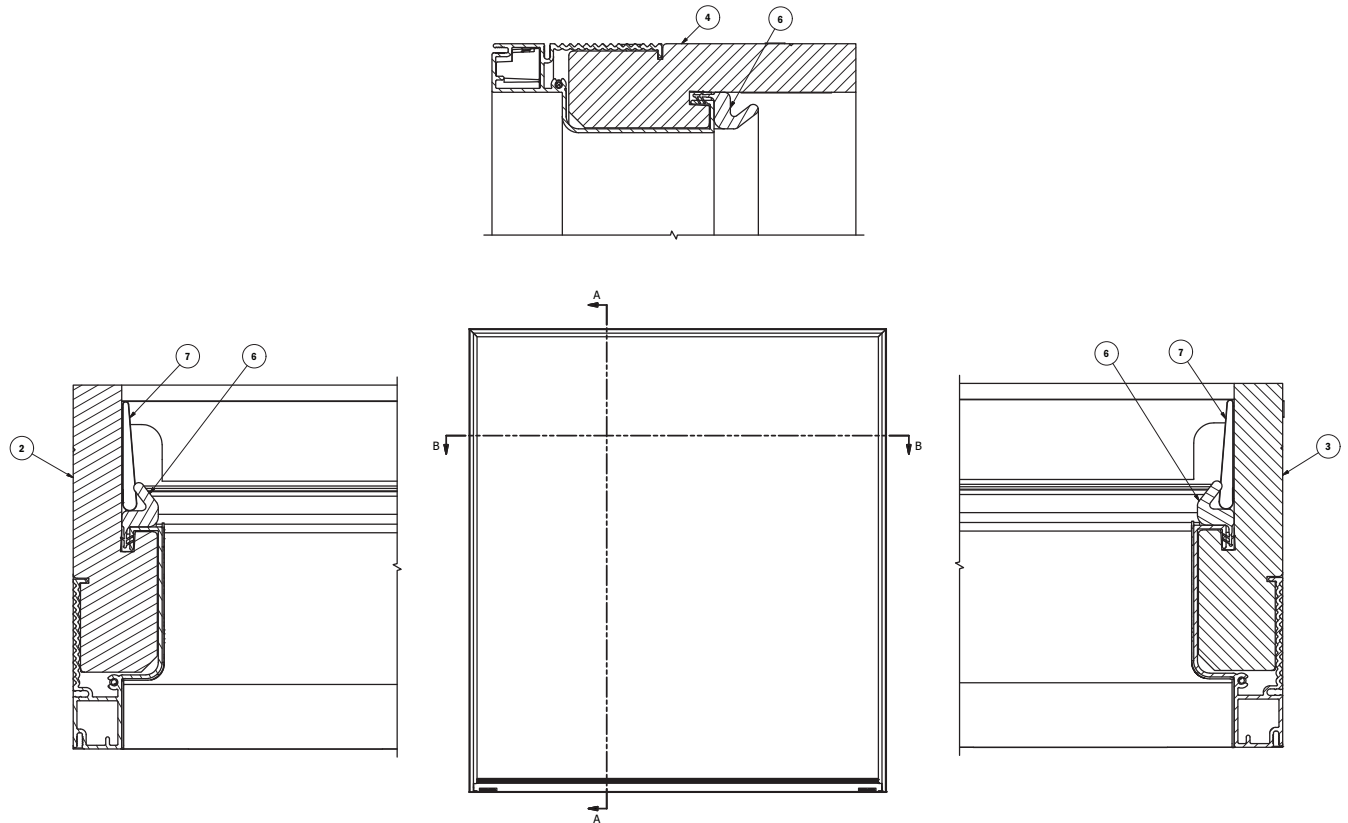
Single, 2-Panel and Stationary

Frames

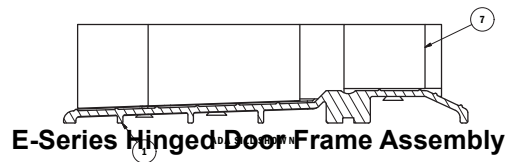
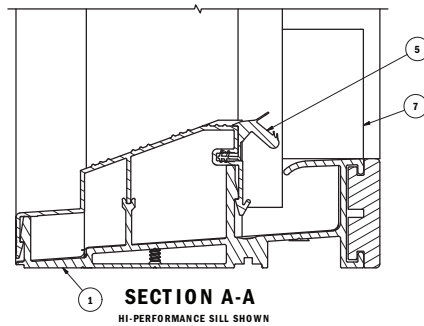
Frame Assembly Illustration / Double (AP)

Note:

Double active 4 9/16 shown. See [Architectural Tools](#) for additional door configurations.



- 1. Sill
- 2. Side Jamb (Hinge)
- 3. Side Jambn (Lock)
- 4. Head Jamb
- 5. [Weatherstrip - Sill](#)
- 6. [Weatherstrip - Side Jamb](#)
- 7. [Weatherstrip - Jamb Pad](#)



Frames

Frames

Note:

Replacement frames are available.

Panel Options

Single and 2-panel (double)

Handling Options

Single: Left, right, stationary

Double: AP, PA, SS, SAL, SAR, ASL and ASR

[Exterior color options](#)

[Interior species/finish/color options](#)

[Glazing options](#)

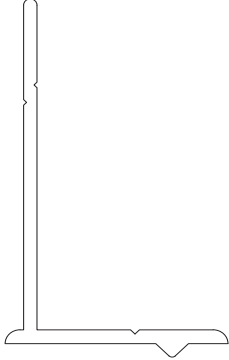
To order, state:

1. Description of Part
2. Quantity
3. Handling
4. Color/species/finish/color
5. Product ID (from product label, see [page 10](#))
6. Options Desired (if different than original product)

E-Series Hinged Doors (March 2018 to Present)

Single, 2-Panel and Stationary

Frames

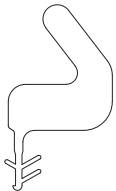
Installation Flange				
Flange / Aluminum				
		Unit No.	Length	
		AFDI	12"	9117357
			14"	9117358
			16"	9117359
			18"	9117360
			20"	9117361
			24"	9117362
			30"	9117363
			32"	9117364
			36"	9117365
			48"	9117366
			60"	9117367
			64"	9117368
			72"	9117369
			80"	00M7366
			82"	00M7367
82"	9117370			
84"	9117371			
96"	00M7368			
120"	00M1866			

Frames

Weatherstrip

Weatherstrip / Frame Ref. No. 1 [page 95](#) & No. 6 [page 97](#)

Note:
Secures to the frame.

		Unit No.	Length	Dark Bronze
		AFDI	37"	0007220
			74"	0007222
			81"	0007223
			85"	0007224
			97"	0007225
	120"	0007226		


Weatherstrip / High Performance Sill Ref. No. 3 [page 95](#) & No. 5 [page 97](#)

Note:
Secures to standard (High Performance) sill.

		Unit No.	Length	Dark Bronze
		AFDI	-	9096432
			102"	0520088
	147"	0069294		

Weatherstrip / Bulb

Note:
Secures to stationary panel.

		Unit No.	Color	Length	Order No.
		AFDI	White	120"	9103912
				300"	9103816
		Black	120"	9103913	
300"	9103817				

Weatherstrip / Jamb Pad Ref. No. 2 [page 95](#) & No. 7 [page 97](#)

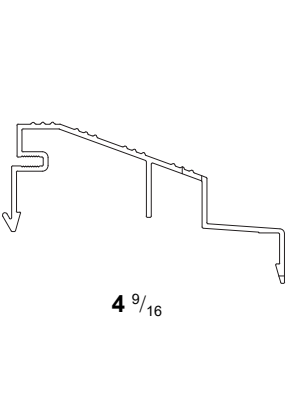
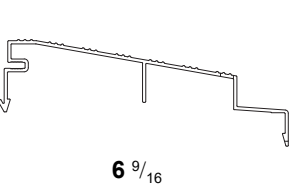
Note:
Secures to side jamb where the jamb meets the sill.


		Unit No.	Length	Dark Bronze
		AFDI	-	9149606

E-Series Hinged Doors (March 2018 to Present)

Single, 2-Panel and Stationary

Frames

Sill Parts					
Sill Cap Ref. No. 4 page 95 & page 96					
Note: Depths/lengths/finishes not shown below available by description.					
 <p>4 ⁹/₁₆</p>	Dark Bronze Anodized	4 ⁹ / ₁₆	2-0	By description	
			2-8	By description	
			3-0	By description	
			5-0	By description	
			5-4	By description	
			6-0	By description	
			1-6	By description	
	Mill	4 ⁹ / ₁₆	2-8	By description	
			3-0	By description	
			6-0	By description	
	Dark Bronze Anodized	6 ⁹ / ₁₆	2-6	By description	
			2-8	By description	
			3-0	By description	
			4-0	By description	
 <p>6 ⁹/₁₆</p>					

Sill Trim / Oak Ref. No. 5 page 95 & page 96				
Note: Must be modified for field application.				
			Length	Oak
			30 ¹ / ₂	By description
			36 ¹ / ₂	By description
			96	By description

Frames
