

What's in This Section

2-Panel, 3-Panel, and Sidelights	Page 3
Parts Illustration	3
Parts Illustration - 2-Panel	3
Parts Illustration - 3-Panel	4
Unit Sizes	5
Unit Size Chart	5
Product History	6
Milestones	6
Panels - Operating	7
Operating Panel Graphic / 2-Panel / PS510-PS6-PS8	7
Operating Panel Graphic / 3-Panel / PS9 and PS12	8
Operating Panel Size Table	9
Operating Panels	9
Glazing Beads	9
Filler - Operating / Bottom Rail	9
Weatherstrip - Operating	10
Panel Parts - Operating	11
Panels - Stationary	12
Stationary Panel Graphic / 2-Panel / PS510-PS6-PS8	12
Stationary Panel Graphic / 3-Panel / PS9 and PS12	13
Stationary Panel Graphic / 3-Panel / PS6L and PS8L	14
Stationary Panel Size Table	15
Stationary Panels	15
Glazing Beads	15
Filler - Stationary / Bottom Rail	16
Weatherstrip - Stationary	16
Panel Parts - Stationary	16
Insect Screens	17
Insect Screen Graphic - 2-Panel	17
Insect Screen Graphic - 3-Panel	18
Rescreening Kit - Insect Screen	19
Insect Screen Hardware	19
Grilles	21
Interior Grilles	21
Interior Grille Parts	22
Hardware	23
Handles	23

Locks and Lock Parts	24
Fasteners	26
Frames	28
Frame Graphic - 2-Panel	28
Frame Graphic - 3-Panel	29
Frame Graphic - Sidelight	30
Jambs	30
Stops	31
Head Parting Stops with Screws - / Predrilled	32
Gliding Insect Screen Guide - Aluminum / Pre-Drilled	33
Sill Components	33
Windbreak Flange	34
Weatherstrip	34
Frame Parts and Hardware	35
Optional Frame Accessories	35
Joining Components	36
Narrow Mullion	36

Perma-Shield® Gliding Doors (PSII 1978 to 1981)

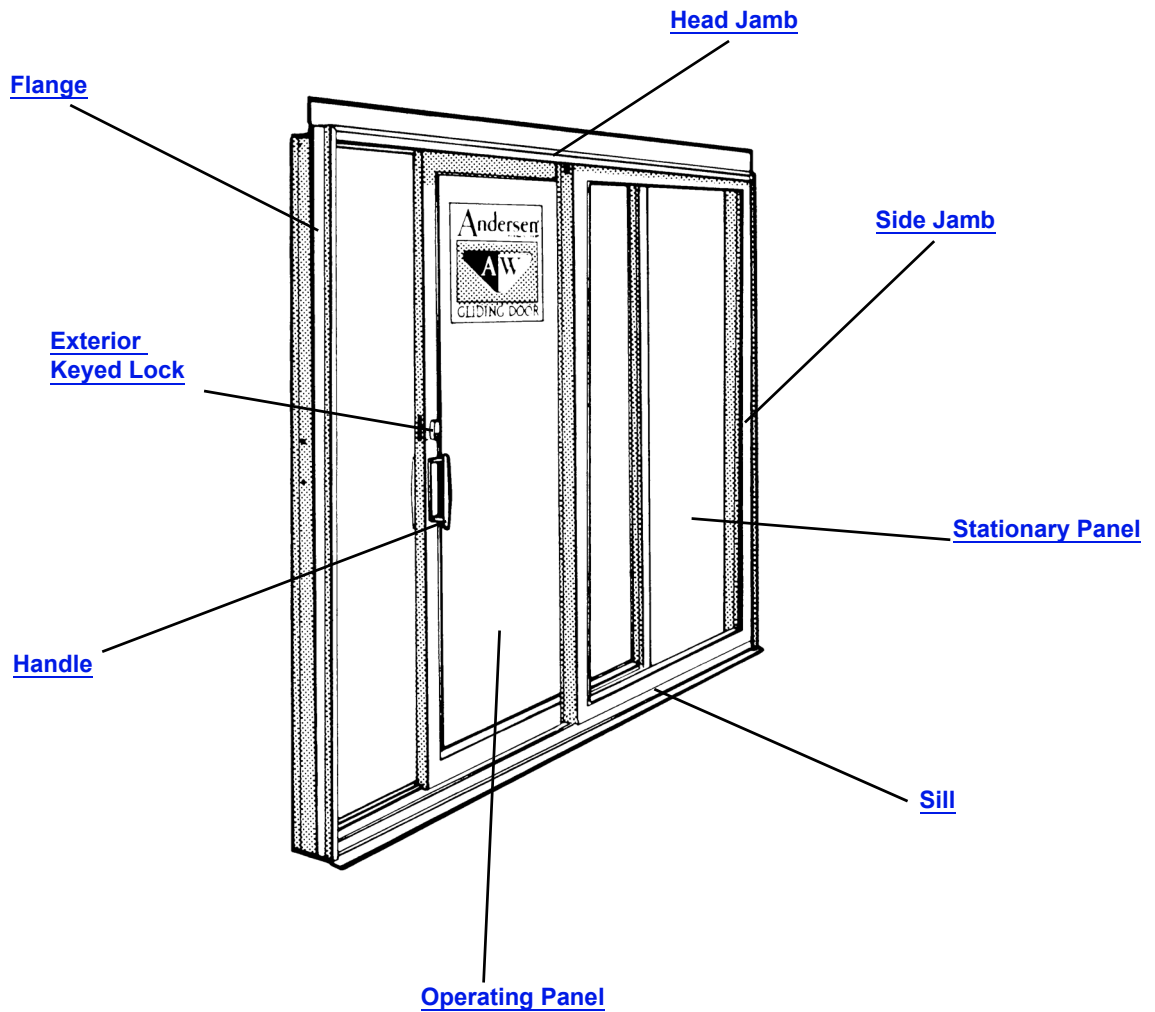
2-Panel, 3-Panel, and Sidelights

Parts Illustration

Parts Illustration - 2-Panel

Note:

Replacement parts are available.



Manufactured 1978 to 1981

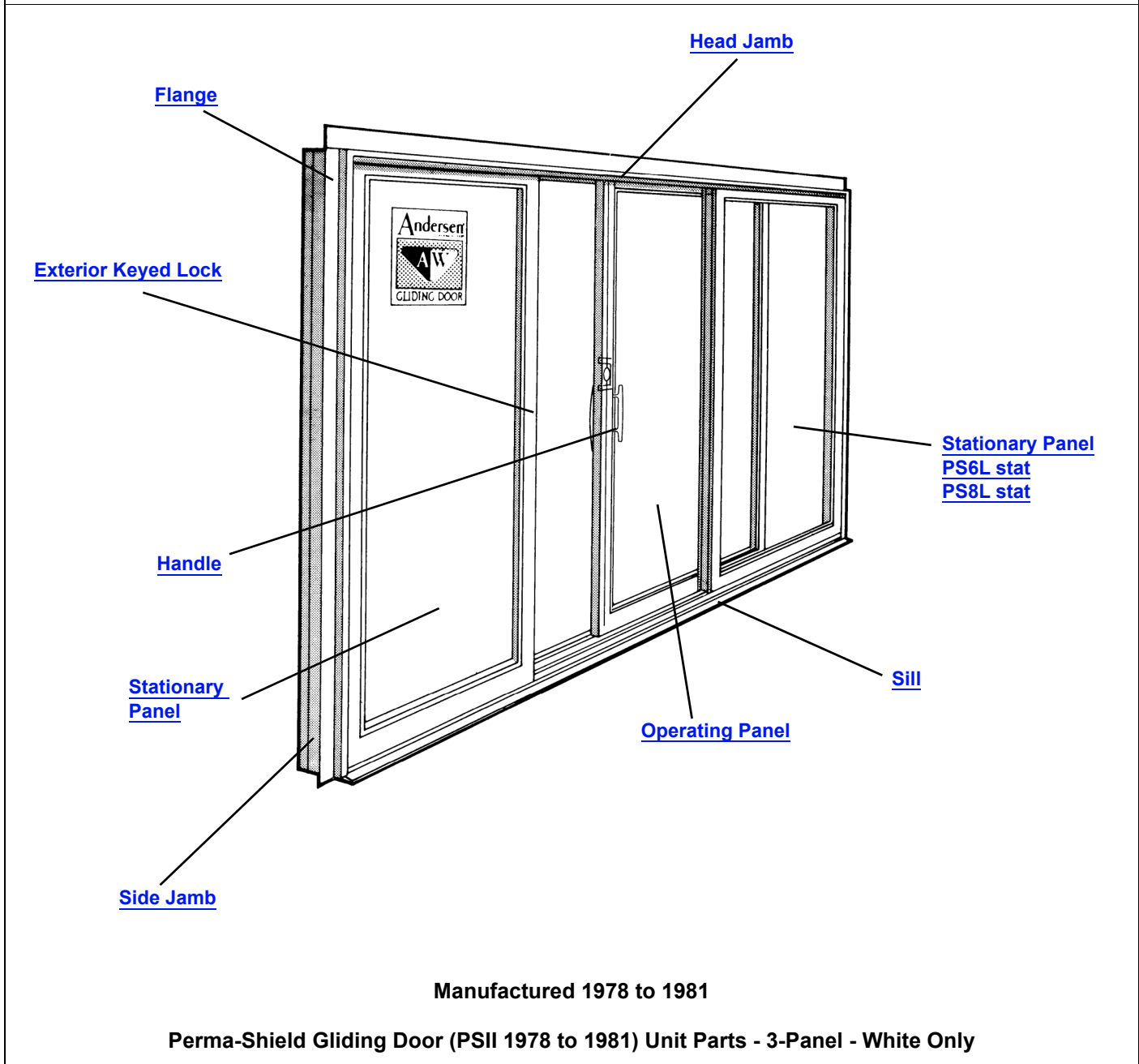
Perma-Shield Gliding Door (PSII 1978 to 1981) Unit Parts - 2-Panel - White Only (PS6L Shown)

Unit viewed from exterior.

Parts Illustration

Parts Illustration - 3-Panel

Note:
Replacement parts are available.



Perma-Shield® Gliding Doors (PSII 1978 to 1981)

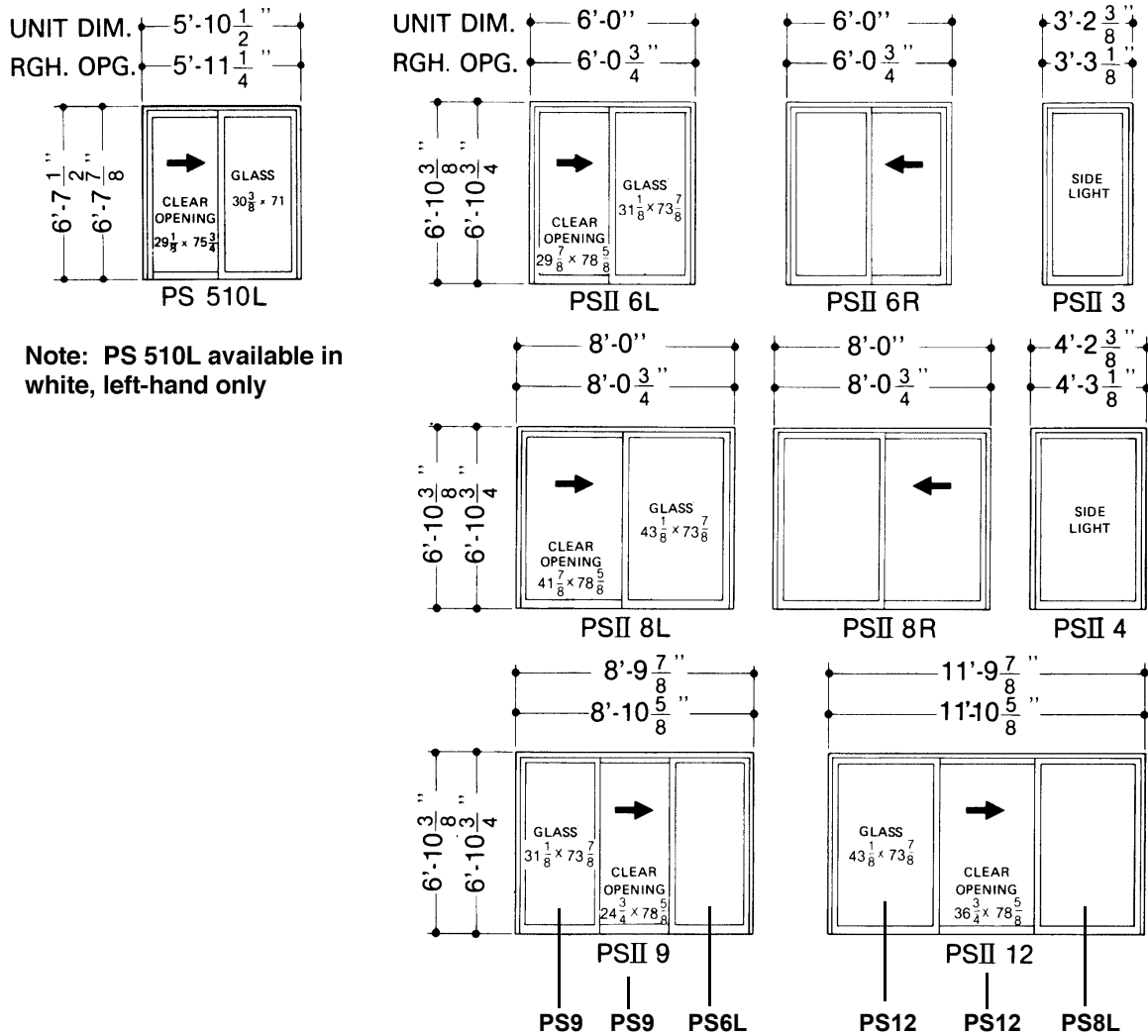
2-Panel, 3-Panel, and Sidelights

Unit Sizes

Unit Size Chart

Note:

Unit Dimension refers to overall outside-to-outside frame. Unobstructed Glass refers to visible glass dimensions. Numbers in parentheses are metric measurements.



Note: PS 510L available in white, left-hand only

3-Panel Ordering Sizes

Perma-Shield Gliding Door (PSII 1978 to 1981) Basic Unit Sizes

Unit viewed from exterior.

Product History

Milestones

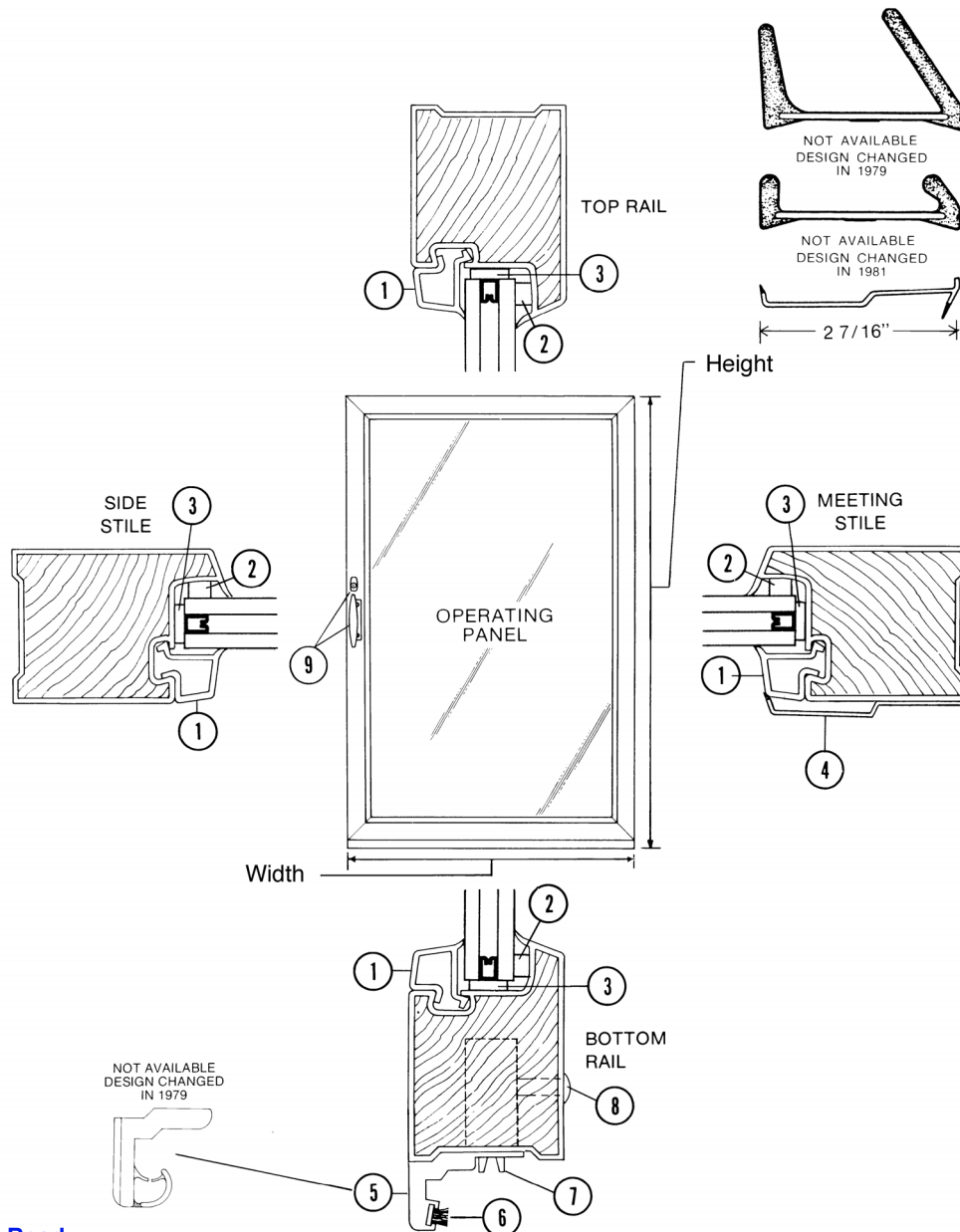
- 1981** Perma-Shield Gliding Door (PSII) Gliding Door discontinued.
- 1978** Perma-Shield Gliding Door (PSII) introduced.

Perma-Shield® Gliding Doors (PSII 1978 to 1981)

2-Panel, 3-Panel, and Sidelights

Panels - Operating

Operating Panel Graphic / 2-Panel / PS510-PS6-PS8

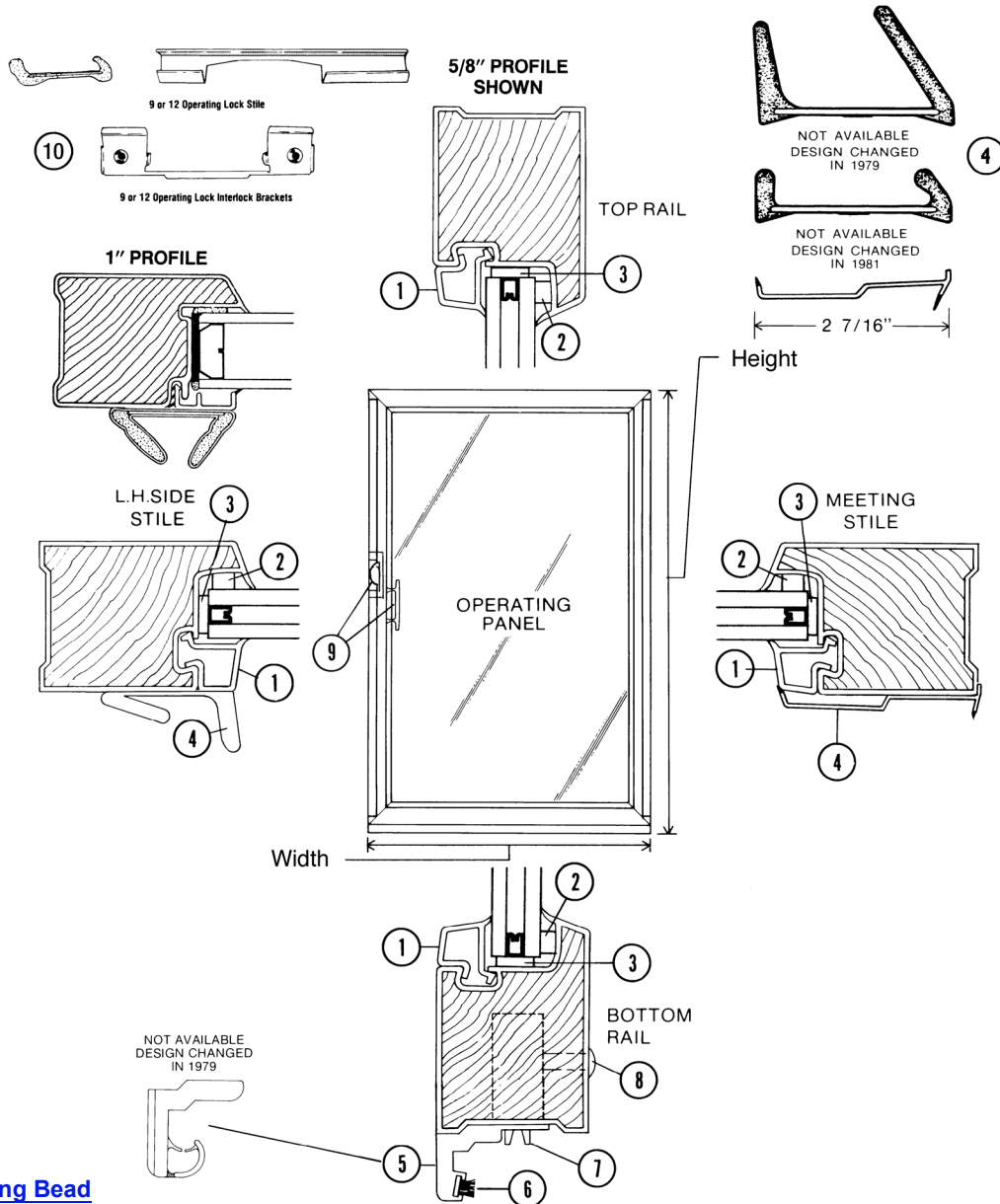


1. [Vinyl Glazing Bead](#)
2. Glazing Tape
3. Glass Spacer
4. [Meeting Stile Weatherstrip, Operating Panel](#)
5. [Bottom Rail Filler, Operating Panel](#)
6. Bottom Rail Weatherstrip
7. [Tandem Rollers](#)
8. [Adjusting Hole Plug](#)
9. [Handle](#)

Perma-Shield Gliding Door (PSII 1978 to 1981) Operating Panel - 2-Panel

Panels - Operating

Operating Panel Graphic / 3-Panel / PS9 and PS12



1. [Vinyl Glazing Bead](#)
2. Glazing Tape
3. Glass Spacer
4. [Lock and Meeting Stile Weatherstrip, Operating Panel](#)
5. [Bottom Rail Filler, Operating Panel](#)
6. [Bottom Rail Weatherstrip](#)
7. [Tandem Rollers](#)
8. [Adjusting Hole Plug](#)
9. [Handle](#)
10. [Interlock Bracket](#)

Perma-Shield Gliding Door (PSII 1978 to 1981) Operating Panel - 3-Panel



Perma-Shield® Gliding Doors (PSII 1978 to 1981)

2-Panel, 3-Panel, and Sidelights

Panels - Operating

Operating Panel Size Table			
Unit No.	Operating Panel (w x h)	Unobstructed Glass (w x h)	Glass Actual (w x h)
PS510	35 ⁵ / ₈ × 77 ¹ / ₃₂	30 ³ / ₈ × 71	31 ¹ / ₂ × 72
PS6	36 ³ / ₈ × 79 ¹⁵ / ₁₆	31 ¹ / ₈ × 73 ⁷ / ₈	32 ¹ / ₄ × 74 ⁷ / ₈
PS8	48 ³ / ₈ × 79 ¹⁵ / ₁₆	43 ¹ / ₈ × 73 ⁷ / ₈	44 ¹ / ₄ × 74 ⁷ / ₈
PS9	36 ³ / ₈ × 79 ¹⁵ / ₁₆	31 ¹ / ₈ × 73 ⁷ / ₈	32 ¹ / ₄ × 74 ⁷ / ₈
PS12	48 ³ / ₈ × 79 ¹⁵ / ₁₆	43 ¹ / ₈ × 73 ⁷ / ₈	44 ¹ / ₄ × 74 ⁷ / ₈

Operating Panels				
Panel - Operating / Dual Pane Tempered				
		Unit No.	White Exterior	
			Left	Right
		PS510	N/A	N/A
		PS6	N/A	N/A
		PS8	N/A	N/A
		PS9	N/A	
		PS12	N/A	

Glazing Beads				
Glazing Bead - PSPD 5/8" / Rail Ref. No. 1 page 7 and page 8				
		Unit No.	Dimensions	Order No.
		PS3/6/9	33 ²⁹ / ₆₄	1997143
		PS4/8/12	44 ²⁹ / ₆₄	1997144
		PS510	31 ⁴⁵ / ₆₄	2550029
Glazing Bead - PSPD 5/8" / Stile Ref. No. 1 page 7 and page 8				
		Unit No.	Dimensions	Order No.
		PS68	72 ²⁵ / ₆₄	2550030
		PS611	75 ¹⁷ / ₆₄	N/A

Filler - Operating / Bottom Rail		
Filler - Operating / Bottom Rail Ref. No. 5 page 7 and page 8		
	Unit No.	Order No.
	PS510	2550012
	PS6/9	1997068
	PS8/12	1997069

Panels - Operating

Weatherstrip - Operating

Weatherstrip with Nails - Operating / 2-Panel / 5/8" / Meeting Stile Ref. No. 4 page 7 and page 8				
	<p>Note: Identify 5/8" glazing bead, Ref. No. 1 page 7, to help determine glass thicknesses between 9/16" and 11/16" that this was used on. Replaces foam weatherstrip that is no longer available. This is also no longer available.</p> <p>Consider upgrading interlock weatherstrip see Weatherstrip Replacement Guide 9131890</p>	Unit No.	Length	White
		611	79 1/32	N/A
		68	75 5/32	N/A

Weatherstrip with Nails - Operating / Lock Stile / Left Hand / 3-Panel Ref. No. 4 page 8					
		Unit No.	White	Terratone	Sandtone
		PS611	N/A	N/A	N/A

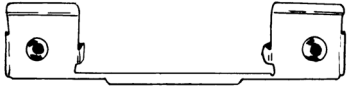
Perma-Shield® Gliding Doors (PSII 1978 to 1981)

2-Panel, 3-Panel, and Sidelights

Panels - Operating

Panel Parts - Operating

Interlock Bracket - Operating / Meeting Stile Ref. No. 10 [page 8](#)



Order No.

N/A

Tandem Rollers - Operating Ref. No. 7 [page 7](#) and [page 8](#)



Note:

This is the 1982 to present roller. Use to replace the 1978 to 1981 vintage roller.

Order No.

1997061

Hole Plugs - Operating / Roller Adjustment Ref. No. 8 [page 7](#) and [page 8](#)

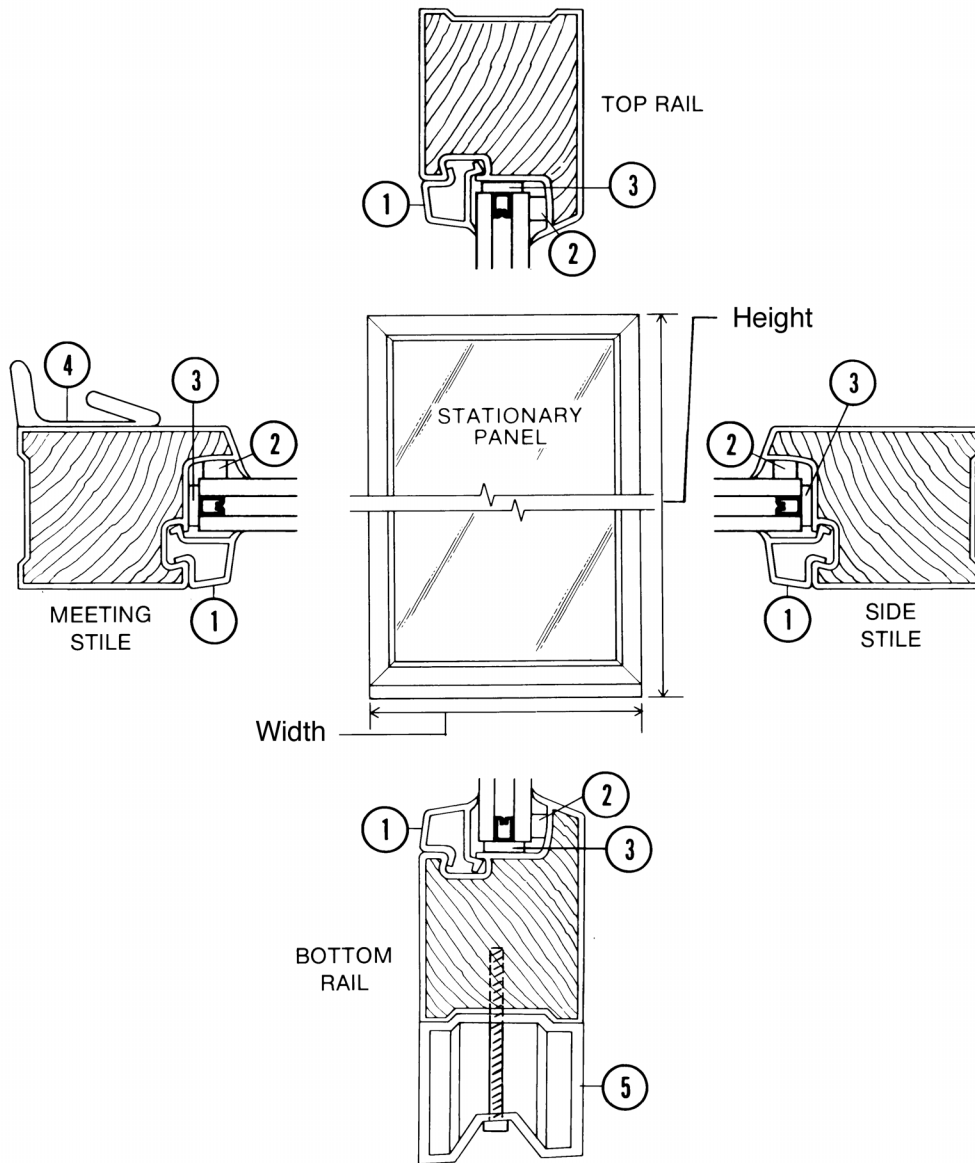


Order No.

1273304

Panels - Stationary

Stationary Panel Graphic / 2-Panel / PS510-PS6-PS8



- 1. [Vinyl Glazing Bead](#)
- 2. [Glazing Tape](#)
- 3. [Glass Spacer](#)
- 4. [Meeting Stile Weatherstrip](#)
- 5. [Bottom Rail Filler](#)

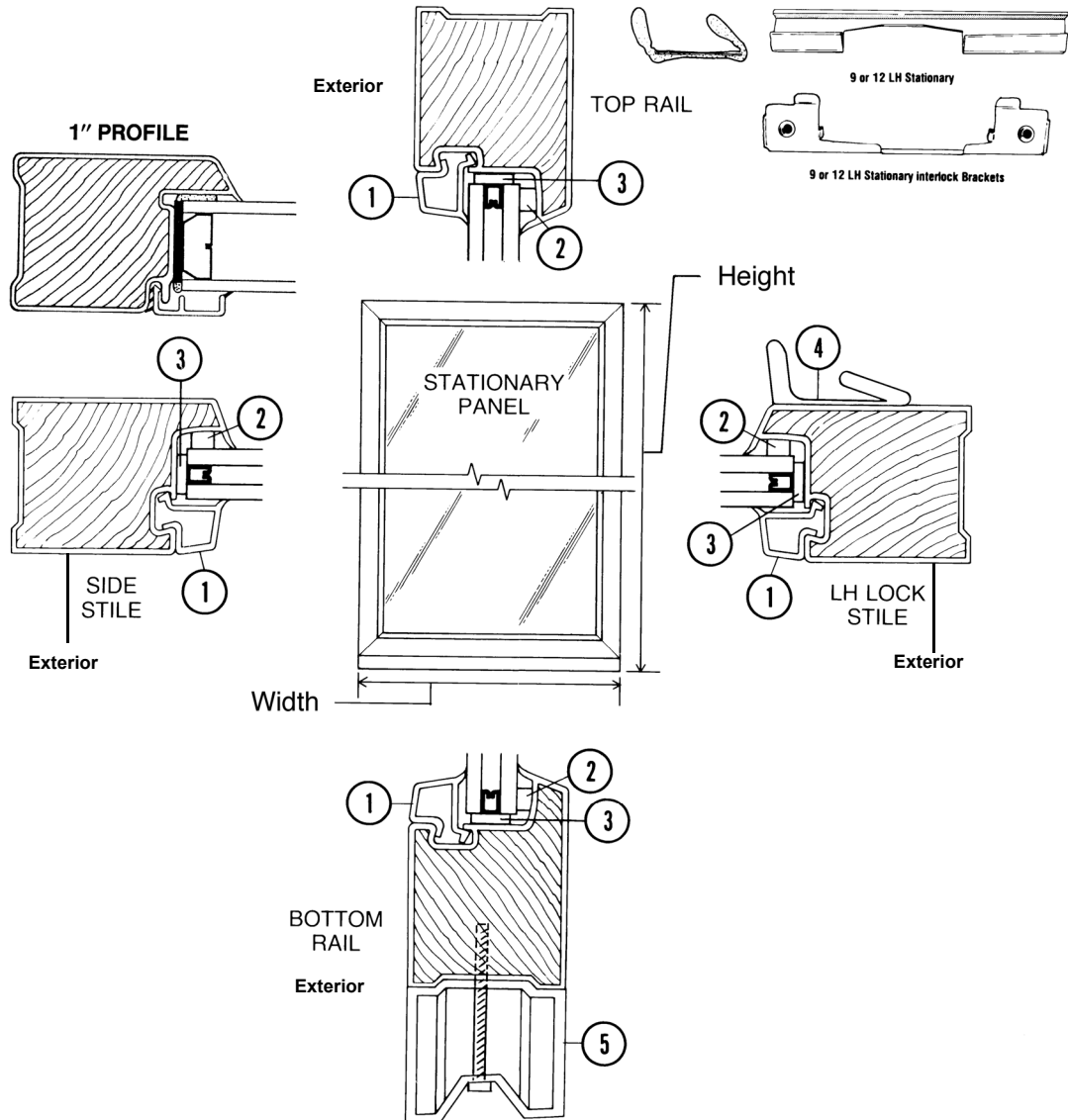
Perma-Shield Gliding Door (PSII 1978 to 1981) Stationary Panel - 2-Panel

Perma-Shield® Gliding Doors (PSII 1978 to 1981)

2-Panel, 3-Panel, and Sidelights

Panels - Stationary

Stationary Panel Graphic / 3-Panel / PS9 and PS12

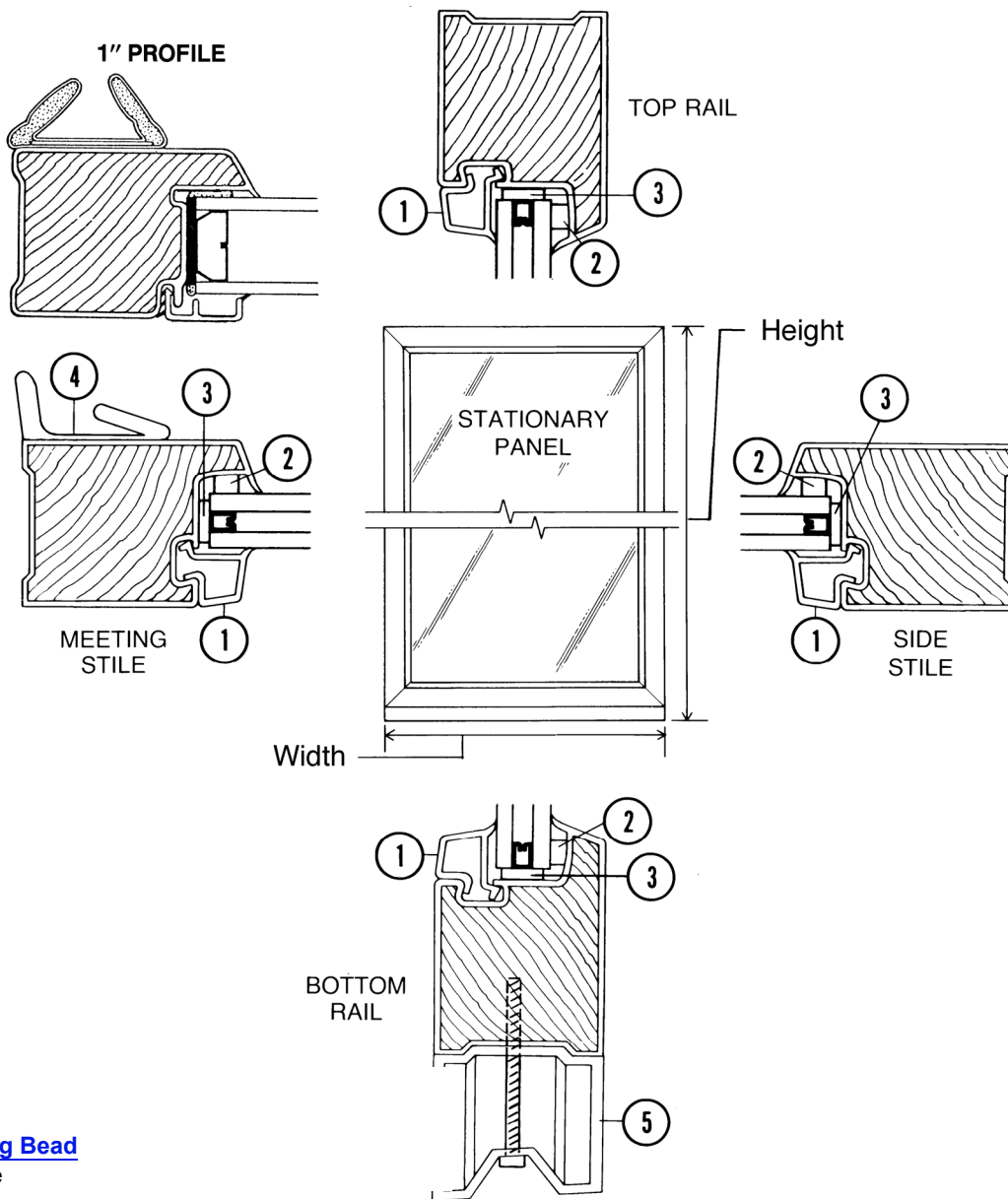


1. [Vinyl Glazing Bead](#)
2. Glazing Tape
3. Glass Spacer
4. [Lock Stile Weatherstrip](#)
5. [Bottom Rail Filler](#)

Perma-Shield Gliding Door (PSII 1978 to 1981) Stationary Panel - 3-Panel

Panels - Stationary

Stationary Panel Graphic / 3-Panel / PS6L and PS8L



- 1. [Vinyl Glazing Bead](#)
- 2. [Glazing Tape](#)
- 3. [Glass Spacer](#)
- 4. [Meeting Stile Weatherstrip](#)
- 5. [Bottom Rail Filler](#)

**Perma-Shield Gliding Door (PSII 1978 to 1981) Stationary Panel
3-Panel (PS6L stat or PS8L stat)**

Perma-Shield® Gliding Doors (PSII 1978 to 1981)

2-Panel, 3-Panel, and Sidelights

Panels - Stationary

Stationary Panel Size Table

Unit No.	Stationary Panel (w x h)	Unobstructed Glass (w x h)	Glass Actual (w x h)
PS3	36 ³ / ₈ × 80 ¹¹ / ₁₆	31 ¹ / ₈ × 73 ⁷ / ₈	32 ¹ / ₄ × 74 ⁷ / ₈
PS4	48 ³ / ₈ × 80 ¹¹ / ₁₆	43 ¹ / ₈ × 73 ⁷ / ₈	44 ¹ / ₄ × 74 ⁷ / ₈
PS510	35 ⁵ / ₈ × 77 ⁷ / ₈	30 ³ / ₈ × 71	31 ¹ / ₂ × 72
PS6	36 ³ / ₈ × 80 ¹¹ / ₁₆	31 ¹ / ₈ × 73 ⁷ / ₈	32 ¹ / ₄ × 74 ⁷ / ₈
PS8	48 ³ / ₈ × 80 ¹¹ / ₁₆	43 ¹ / ₈ × 73 ⁷ / ₈	44 ¹ / ₄ × 74 ⁷ / ₈
PS9	36 ³ / ₈ × 80 ¹¹ / ₁₆	31 ¹ / ₈ × 73 ⁷ / ₈	32 ¹ / ₄ × 74 ⁷ / ₈
PS12	48 ³ / ₈ × 80 ¹¹ / ₁₆	43 ¹ / ₈ × 73 ⁷ / ₈	44 ¹ / ₄ × 74 ⁷ / ₈


Stationary Panels

Panel - Stationary / Dual Pane Tempered


	Unit No.	White Exterior	
		Left	Right
	PS3 SD LT	N/A	
	PS4 SD LT	N/A	
	PS5	N/A	N/A
	PS510	N/A	N/A
	PS6	N/A	N/A
	PS8	N/A	N/A
	PS9	N/A	
	PS12	N/A	

Glazing Beads

Glazing Bead - PSPD 5/8" / Rail Ref. No. 1 [page 12](#) and [page 13](#) and [page 14](#)

	Unit No.	Dimensions	Order No.
	PS3/6/9	32 ²⁹ / ₆₄	1997143
	PS4/8/12	44 ²⁹ / ₆₄	1997144
	PS510	31 ⁴⁵ / ₆₄	2550029

Glazing Bead - PSPD 5/8" / Stile Ref. No. 1 [page 12](#) and [page 13](#) and [page 14](#)

	Unit No.	Dimensions	Order No.
	PS68	72 ²⁵ / ₆₄	2550030
	PS611	75 ¹⁷ / ₆₄	N/A

Panels - Stationary

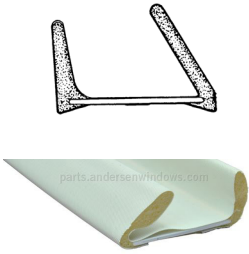
Filler - Stationary / Bottom Rail

Filler - Stationary / Bottom Rail Ref. No. 5 [page 12](#) and [page 13](#) and [page 14](#)

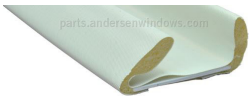
	Unit No.	Order No.
	PS510	2550013
	PS3/6/9	1997072
	PS4/8/12	1997073

Weatherstrip - Stationary

Weatherstrip - Stationary / Meeting Stile Ref. No. 4 [page 12](#) and [page 14](#)

	Note: Includes fasteners. Consider upgrading interlock weatherstrip see Weatherstrip Replacement Guide 9131890	Unit No.	Length	White
		PS611	79 1/32	N/A
PS68	75 5/32	N/A		

Weatherstrip - Stationary / Lock Stile / 3-Panel Ref. No. 4 [page 13](#)


	Note: Includes fasteners.	Unit No.	Length	White
		PS611	79 1/32	N/A

Weatherstrip - Stationary Interlock Bracket

	Order No.
	N/A

Panel Parts - Stationary

Universal Top Bracket - Stationary / 5 Hole

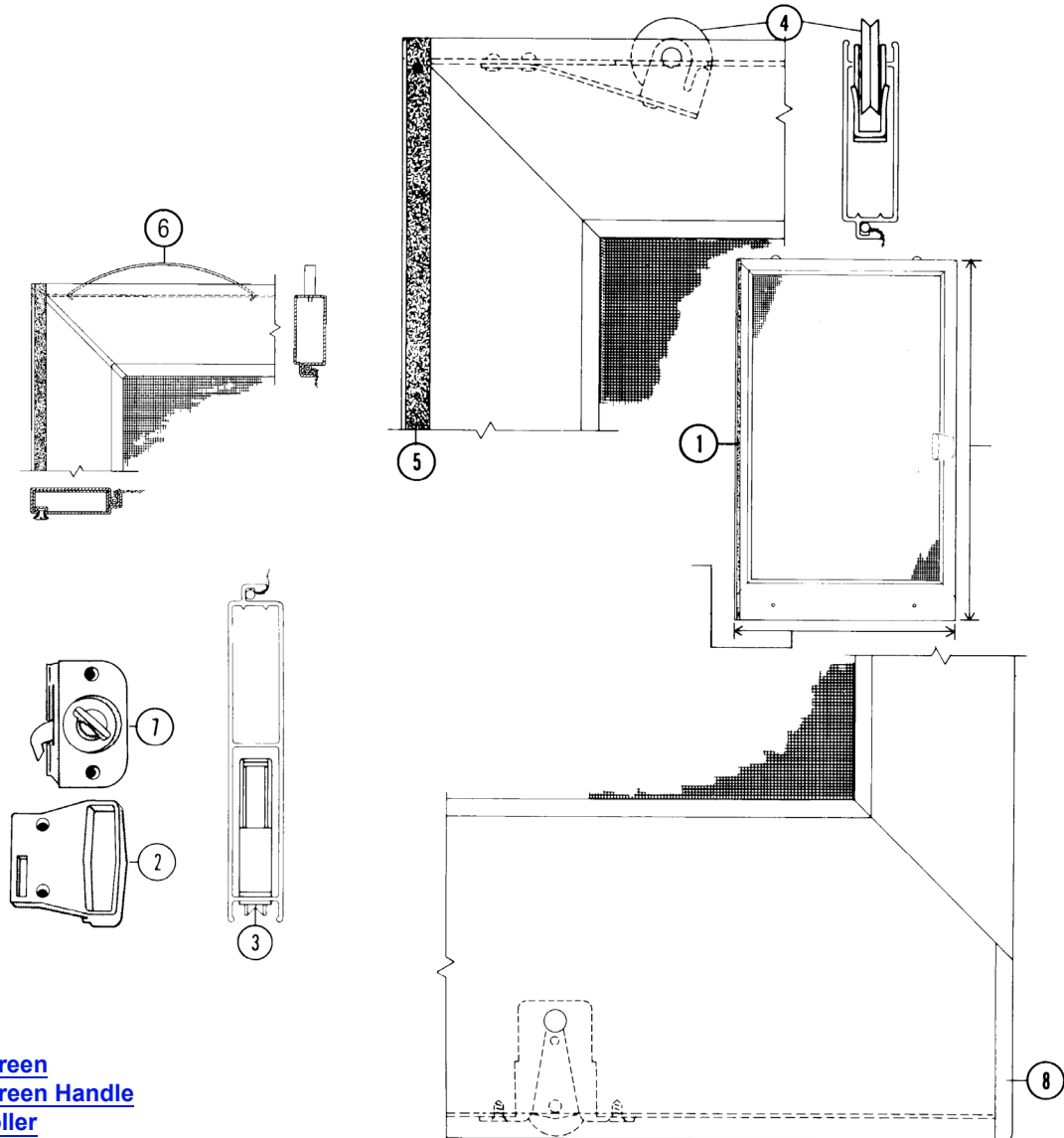
	White
	2573549

End Cap - Stationary / Bottom Rail

	Left	Right
	1997080	1997081

Insect Screens

Insect Screen Graphic - 2-Panel



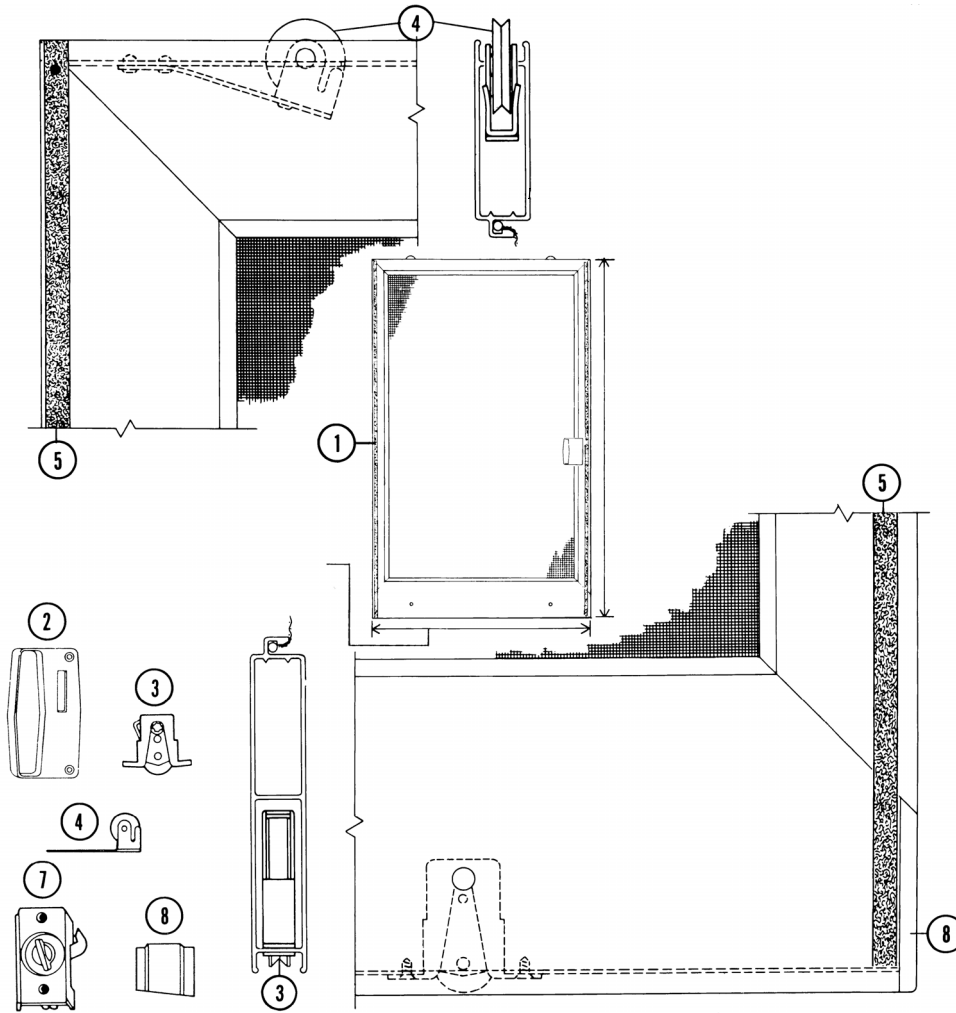
- 1. [Insect Screen](#)
- 2. [Inside Screen Handle](#)
- 3. [Lower Roller](#)
- 4. [Upper Roller](#)
- 5. [Bug Seal Pile Weatherstrip](#)
- 6. [Top Rail Spring](#)
- 7. Insect Screen Latch
- 8. Bottom Rail End Cap

Perma-Shield Gliding Door (PSII 1978 to 1981) Insect Screen - 2-Panel

Unit viewed from interior.

Insect Screens

Insect Screen Graphic - 3-Panel



1. [Insect Screen](#)
2. [Inside Insect Screen Handle-3 Panel](#)
3. [Lower Roller](#)
4. [Upper Roller](#)
5. [Bug Seal Pile Weatherstrip](#)
7. [Insect Screen Latch-3 Panel](#)
8. Bottom Rail End Cap

Perma-Shield Gliding Door (PSII 1978 to 1981) Insect Screen - 3-Panel

Unit viewed from interior.

Perma-Shield® Gliding Doors (PSII 1978 to 1981)

2-Panel, 3-Panel, and Sidelights

Insect Screens

Insect Screen Ref. No. 1 [page 17](#) and [page 18](#)

Note:

Replacement may not exactly match screen being replaced.



Unit No.	Dimensions	Left	Right
PS510	35 ³ / ₈ × 77 ²⁷ / ₃₂	2505830	
PS6	36 ¹ / ₈ × 80 ²³ / ₃₂	1974030	1974034
PS8	48 ¹ / ₈ × 80 ²³ / ₃₂	1974038	1974042
PS9	35 ⁵ / ₁₆ × 80 ²³ / ₃₂	1974045	
PS12	47 ⁵ / ₁₆ × 80 ²³ / ₃₂	1974052	

Rescreening Kit - Insect Screen

Rescreening Kit - Insect Screen



Kit Includes:
 Polyethylene splines
 Fiberglass insect screen cloth
 1-wood spacer bar
 1-spline roller

Unit No.	Order No.
One size fits all doors	1274712




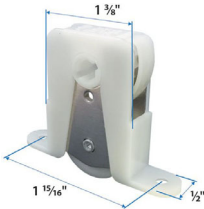
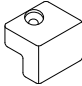
Insect Screen Hardware

Handle - Insect Screen / Inside / 2-Panel Ref. No. 2 [page 17](#)



Order No.
1997163

Insect Screens

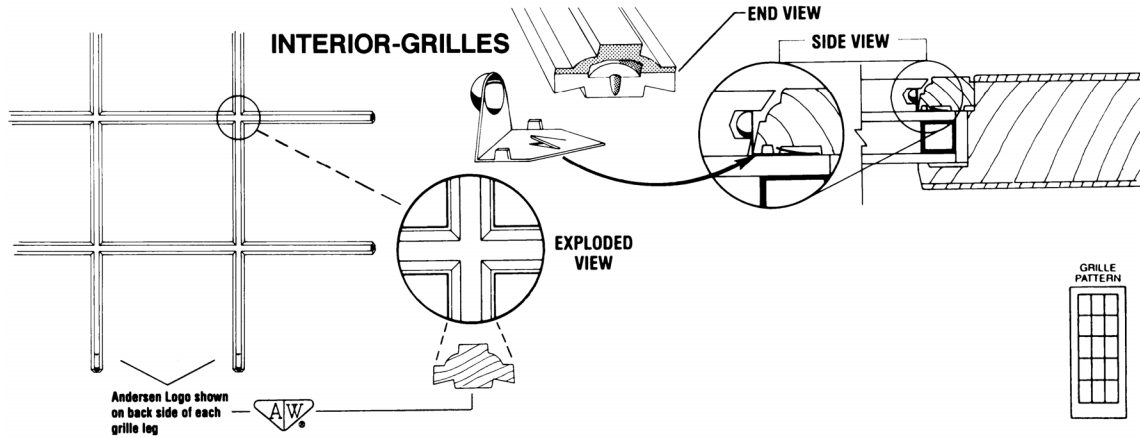
Handle - Insect Screen / 3-Panel Ref. No. 2 page 18			
		Order No.	
			1997164
Top Rail Spring - Insect Screen Ref. No. 6 page 17			
	Note: Need two (2) per insect screen.	Order No.	
			1997196
Roller - Insect Screen / Upper Ref. No. 4 page 17 and page 18			
	Note: This roller is held in place with rivets. Rivets are not included. Need two (2) rollers per insect screen.	Order No.	Replacement
			N/A
Pop Rivet - Screen Roller/ Insect Screen/ Upper			
	Note: Need two (2) per roller. 1/8" diameter x 7/32"	Order No.	
			2579482
Roller - Insect Screen / Lower Ref. No. 3 page 17 and page 18			
	Note: Need two (2) per insect screen.	Order No.	
			1274104
Screw - Lower Roller/ Gliding Insect Screen			
	Note: Need two (2) per roller.	Order No.	
			3620400
Bumper with Screws - Insect Screen / 3-Panel			
		White	
			1997204
Weatherstrip - Insect Screen / Bug Seal Pile Ref. No. 5 page 17 and page 18			
	Note: This weatherstrip has an adhesive back. Order by the foot.	Order No.	
			2962038

Perma-Shield® Gliding Doors (PSII 1978 to 1981)

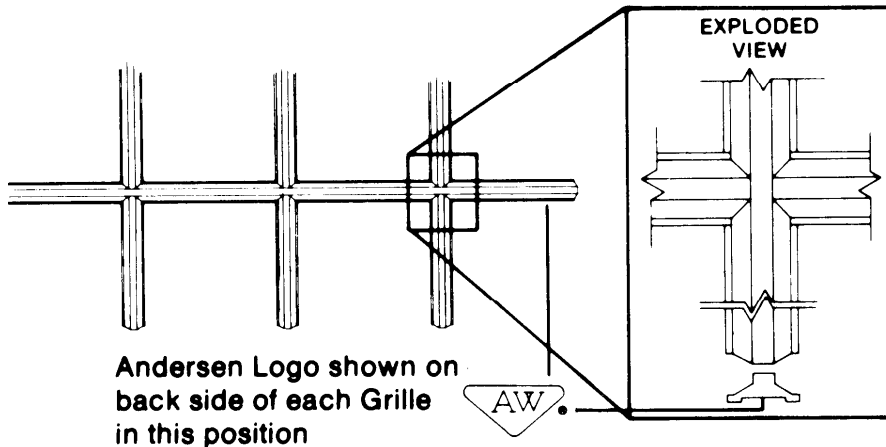
2-Panel, 3-Panel, and Sidelights

Grilles

Interior Grilles

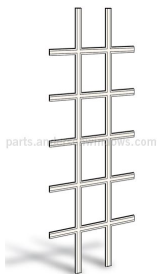


Perma-Shield Gliding Door (PSII 1978 to 1981) Interior Grilles



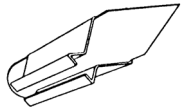
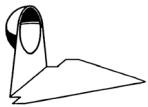

Perma-Shield Gliding Door (PSII 1978 to 1981) Interior Grilles - 510 Units

Interior Grille - Wood / Prefinished Interior White



Unit No.	Prefinished Interior White/ White Exterior
PS510	2506036
PS3/6/9	1974248
PS4/8/12	1974250





Grilles

Interior Grille Parts		
Notch Grille Fastener (1989 to Present)		
		Order No.
		1974310
Grille Clip (1985 to 1989)		
		Order No.
		1974312
Grille Clip - Old Style (1978 to 1985)		
		Order No.
		1974304


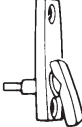
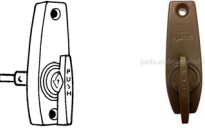

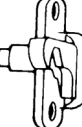
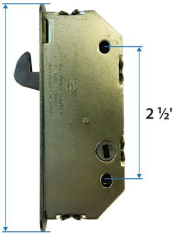
Perma-Shield® Gliding Doors (PSII 1978 to 1981)

2-Panel, 3-Panel, and Sidelights

Hardware

Handles			
Handle - Outside / 2-Panel Ref. No. 9 page 7			
		Stone	
		1997202	
Handle - Outside / 3-Panel Ref. No. 9 page 8			
		Stone	
		1278010	
Handle - Inside / 2 and 3-Panel			
		Stone	
		1997201	
Bolt - Handle			
	Description	Qty	Stone
	2 1/8" x 10-32	1	1275210


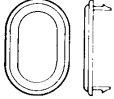
Hardware

Locks and Lock Parts			
Lock with Keys - 6-Pin/ Exterior / 3-Panel			
	Note: Stone is not available. Use white as replacement.	Color	Order No.
		Stone	N/A
		White	1973052
Inside Latch - 2-Panel			
			Stone
			1278303
Inside Latch - 3-Panel (1978 to 1981)			
			Stone
			1997161
Lock Housing and Bolt Assembly / 3-Panel (1978 to 1982)			
	Note: Use on exterior keyed lock.	Finish	Order No.
		Stone	1997221
Latch Mechanism - 3-Panel (1978 to 1982)			
			Stone
			1997162
Deadlock - Universal / Old Style (Pre-Reachout 1968 to 1993 Gliding Door Products)			
			Order No.
			1997156

Perma-Shield® Gliding Doors (PSII 1978 to 1981)

2-Panel, 3-Panel, and Sidelights

Hardware

Strike with Liner - Lock - Old Style / 2-Panel <i>(Pre-Reachout 1968 to 1993 Gliding Door Products)</i>		
		Order No.
		1997155
O Ring - Lock Escutcheon / 3-Panel		
		White
		8312302

Hardware

Fasteners		
Fastener - Frame Assembly		
	Description	Clear Chromate
	2 1/2" x #10 F.H., Steel	By description
Fastener - Stationary / Lock Strike / Bottom Rail Filler		
	Description	Aluminum
	2 1/4" x #8 F.H. Aluminum	By description
Fastener - Bumper / Inside Head Stop		
	Description	White
	1 1/2" x #8 F.H., Steel	By description
Fastener - Head Bracket / Sill Insert		
	Description	Stone
	1" x #8 F.H., Steel	By description
Fastener - Stationary / Head Bracket / Sill Insert / 3-Panel		
	Description	Stone
	3/4" x #8 F.H., Steel	N/A
Fastener - Lock Strike		
	Description	Cadium Chromate
	13/16" x #8-32-Mach. F.H., Steel	By description
Fastener - Insect Screen Handle		
	Description	White
	1" x #10-20-Mach., F.H., Steel	By description
Fastener - Tandem Rollers / Operating Bottom Rail Filler		
	Description	Brass
	1 3/8" x #8, F.H., Steel	By description
Fastener - Insect Screen Latch		
	Description	Stone
	1 1/4" x #8 O.H., Steel	By description
Fastener - Oak Threshold		
	Description	Bronze
	1 1/4" x #8 F.H., Bronze	By description
Fastener with Pop Rivet - Insect Screen / Bottom Channel, Bug Seal, and PVC Cap		
	Description	Aluminum
	1/8" dia. x 5/16" domed head, Aluminum	By description
Fastener - Handle		
	Description	Clear Chromate
	1/2" x #8-32 Mach. F.H., Steel	By description

Perma-Shield® Gliding Doors (PSII 1978 to 1981)

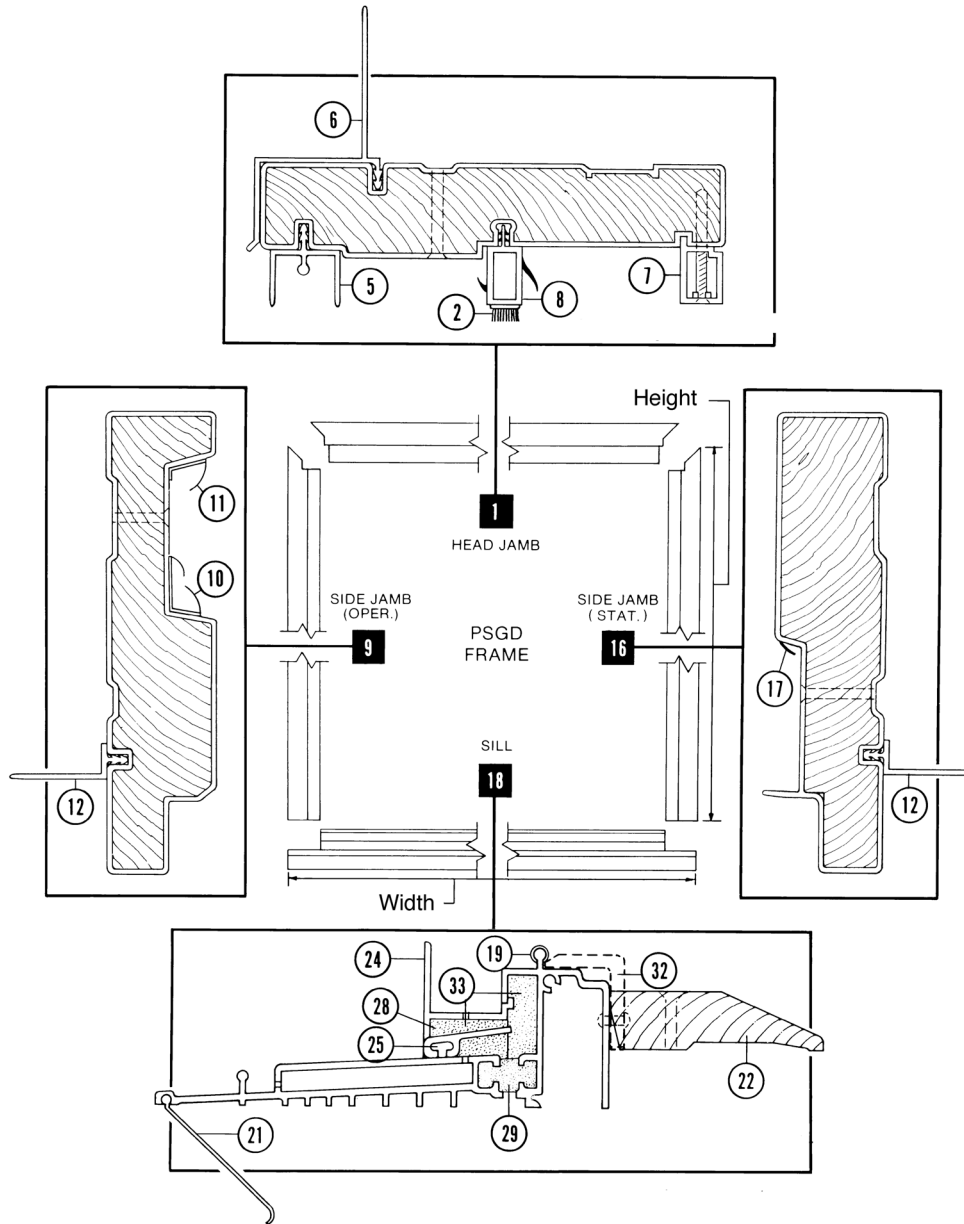
2-Panel, 3-Panel, and Sidelights

Hardware

Fastener with Holding Washer - Lock Cylinder / Lock Housing		
	Description	Brass
	5/16" x #8-32 Mach. O.H., Steel	By description
Fastener - Operating / Meeting Stile Weatherstrip		
	Description	Aluminum
	3/4" ring nail F.H., Aluminum	By description
Fastener - Lock / 3-Panel		
	Description	Stone
	1 1/4" x #7 P.H. O.H., Steel	N/A
Fastener - Inside Turn Latch / 3-Panel		
	Description	Stone
	5/8" x #8 P.H. O.H., Steel	N/A
Fastener - Sill Screw Bumper / 3-Panel		
	Description	White
	1" x #8 P.H. F.H., Steel	N/A
Fastener - Lock Adjuster / 3-Panel		
	Description	Stone
	5/16" x #8-32 Mach. F.H., Steel	N/A

Frames

Frame Graphic - 2-Panel



- | | | |
|---|--|--|
| 1. Head Jamb | 11. Operating Side Jamb Weatherstrip, Inside | 22. Oak Threshold |
| 2. Head Parting Stop Pile Weatherstrip | 12. Side Flange | 24. Stationary Vinyl Sill Insert |
| 5. Insect Screen Channel | 16. Stationary Side Jamb | 25. Operating Aluminum Sill Insert |
| 6. Head Flange | 17. Stationary Panel Side Jamb, Weatherstrip | 28. Sill Insert Foam Weatherstrip |
| 7. Inside Head Stop | 18. Complete Sill | 29. Thermal Break |
| 8. Head Parting Stop | 19. Sill Cap | 32. PVC Cap |
| 9. Operating Side Jamb | 21. Sill Support | 33. Sill Frost Kit |
| 10. Operating Side Jamb Weatherstrip, Outside | | |

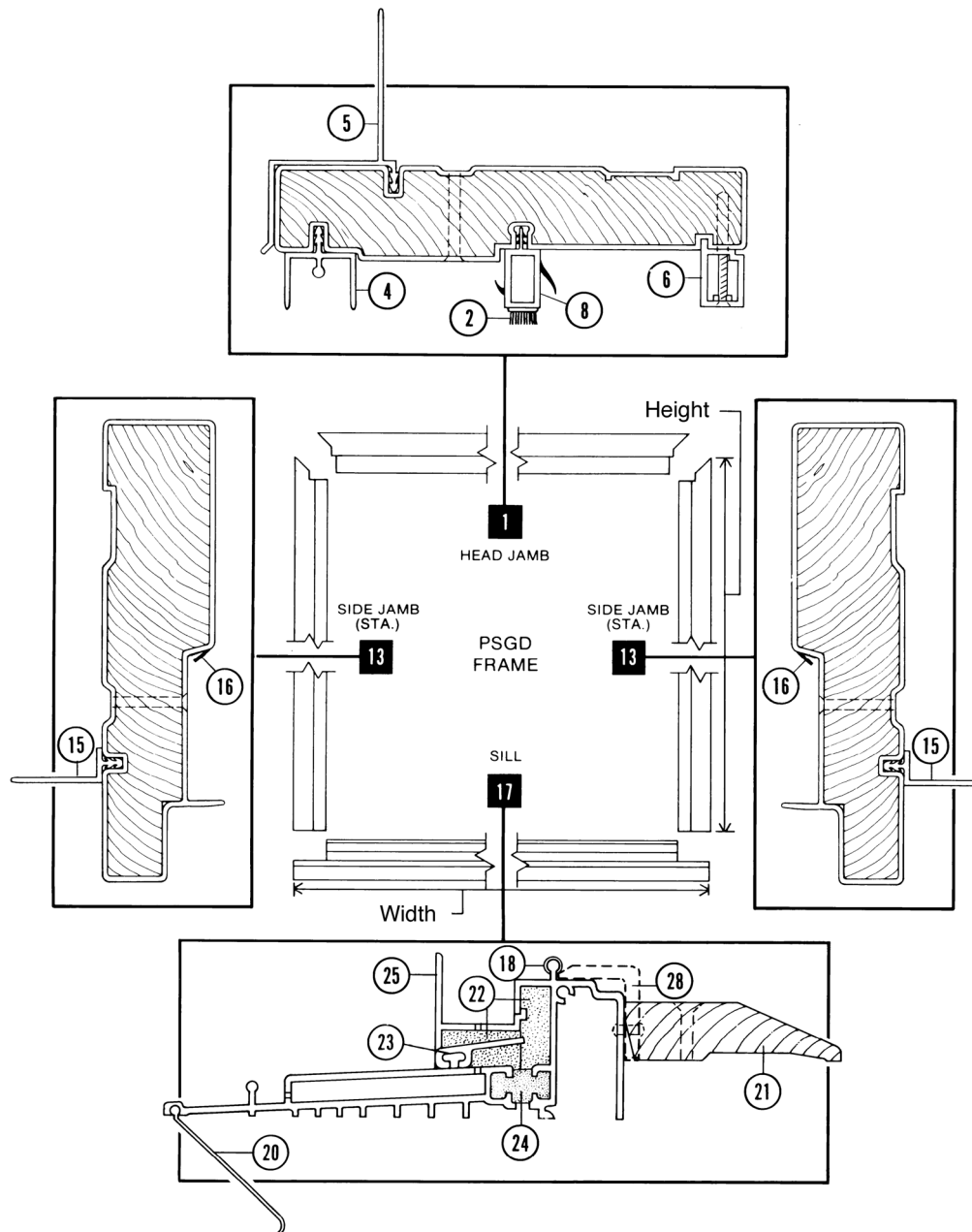
Perma-Shield Gliding Door (PSII 1978 to 1981) Frame Assembly - 2-Panel

Perma-Shield® Gliding Doors (PSII 1978 to 1981)

2-Panel, 3-Panel, and Sidelights

Frames

Frame Graphic - 3-Panel

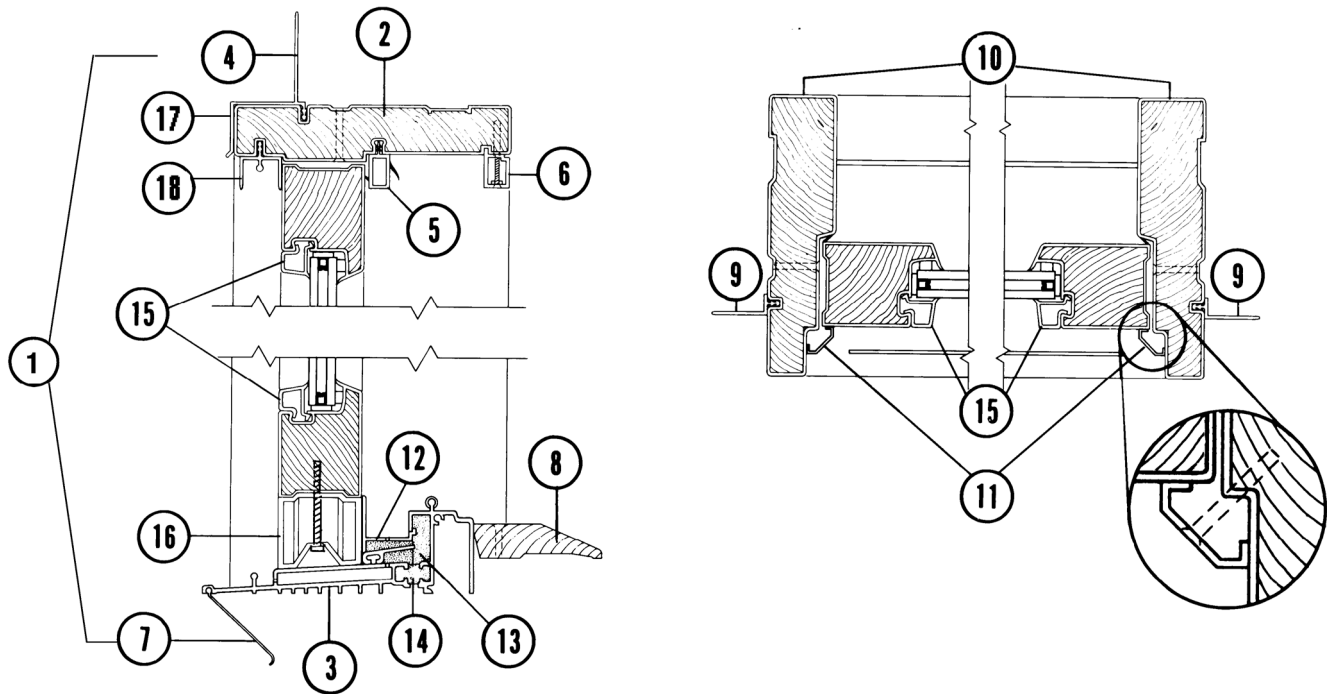


- | | | |
|--|--|--|
| 1. Head Jamb | 15. Side Flange | 20. Sill Support |
| 2. Head Parting Stop Pile Weatherstrip | 16. Stationary Panel Side Jamb, Weatherstrip | 21. Oak Threshold |
| 4. Insect Screen Channel | 17. Complete Sill | 22. Sill Insert Foam Weatherstrip |
| 5. Head Flange | 18. Sill Cap | 23. Stationary Vinyl Sill Insert |
| 6. Inside Head Stop | 19. Sill Dust Pad (not shown) | 24. Thermal Break |
| 8. Head Parting Stop | 25. Operating Aluminum Sill Insert | |
| 13. Stationary Side Jamb | | |

Perma-Shield Gliding Door (PSII 1978 to 1981) Frame Assembly - 3-Panel

Frames

Frame Graphic - Sidelight



- | | |
|--------------------------------------|--|
| 2. Head Jamb | 10. Stationary Side Jamb |
| 3. Complete Sill | 11. Outside Sidelight Stop |
| 4. Head Flange | 12. Stationary Vinyl Sill Insert |
| 5. Head Parting Stop | 13. Foam Insulation |
| 6. Inside Head Stop | 14. Thermal Break |
| 7. Sill Support | 15. Vinyl Glazing Bead |
| 8. Oak Threshold | 16. Bottom Rail Filler |
| 9. Side Flange | 17. Head Flashing |
| | 18. Insect Screen Channel |

Perma-Shield Gliding Door (PSII 1978 to 1981) Frame Assembly - Sidelight

Jambs

Note:

Replacement jambs are no longer available.

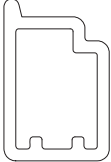
Perma-Shield® Gliding Doors (PSII 1978 to 1981)

2-Panel, 3-Panel, and Sidelights

Frames

Stops

Stop - Inside / Head / 2-Panel Ref. No. 7 [page 28](#)

		Unit No.	Dimensions	Order No.
		PS510	67 ¹¹ / ₁₆	2550024
		PS6	69 ³ / ₁₆	1997127
		PS8	93 ³ / ₁₆	1997128

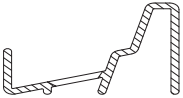
Stop - Inside / Head / 3-Panel Ref. No. 6 [page 29](#)

		Unit No.	Dimensions	Order No.
		PS9	103 ¹ / ₃₂	1997129
		PS12	139 ¹ / ₃₂	1997130

Stop - Inside / Head / Sidelight Ref. No. 6 [page 30](#)

		Unit No.	Dimensions	Order No.
		PS3	36 ¹¹ / ₃₂	1997125
		PS4	48 ¹¹ / ₃₂	1997126

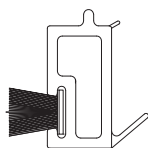
Stop - Outside Sidelight / Aluminum Ref. No.11 [page 30](#)

	Note: New design is used to replace all vintages of Sidelight stops.	Unit No.	White
		PS68	2565661
		PS611	2565662

Frames

Head Parting Stops with Screws - / Predrilled

Stop with Screws - Head Parting / Predrilled Ref. No. 8 [page 28](#), and Ref. No. 8 [page 29](#), No. 5 [page 30](#)

		Unit No.	Fasteners/ Screw Used	Length	White
		PS3	5	35 ⁹ / ₁₆	N/A
		PS4	6	47 ⁹ / ₁₆	N/A
		PS5	7	56 ⁷ / ₁₆	1970919
		PS510	9	67 ¹¹ / ₁₆	1970920
		PS6	9	69 ³ / ₁₆	1970921
		PS8	12	93 ³ / ₁₆	1970922
		PS9	13	103 ¹ / ₁₆	1970923
		PS12	17	139 ¹ / ₁₆	1970924

Screw - Head Parting Stop

	Color	Order No.
	White	2565702

Perma-Shield® Gliding Doors (PSII 1978 to 1981)

2-Panel, 3-Panel, and Sidelights


Frames

Gliding Insect Screen Guide - Aluminum / Pre-Drilled

Insect Screen Guide / Predrilled / Aluminum Ref. No. 5 [page 28](#), and Ref. No. 4 [page 29](#), No. 18 [page 30](#)


Note:

Parts marked with an asterisk (*) are available in vinyl only.

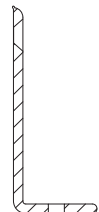
		Unit No.	Fasteners Used	Length	White
		PS3	5	36 1/2	1997205 *
		PS4	6	48 1/2	1997206 *
		PS5	7	56 3/4	2562325
		PS510	9	68	2562326
		PS6	9	69 1/2	2562327
		PS8	12	93 1/2	2562328
		PS9	13	103 1/16	2562329
		PS12	17	139 1/16	2562330

Sill Components

Sill Track Cap Ref. No. 19 [page 28](#), and Ref. No. 18 [page 29](#)

		Unit No.	Stainless Steel
		PS510	2550003
		PS6	1997021
		PS8	1997022
		PS9	1997023
		PS12	1997024

Vinyl Sill Insert - Stationary Ref. No. 24 [page 28](#), Ref. No. 25 [page 29](#), No. 12 [page 30](#)

		Unit No.	Left	Right
		PS510	N/A	
		PS6	N/A	N/A
		PS8	N/A	N/A
		PS9	1997228	
		PS12	N/A	

Frames

Windbreak Flange

Flange - Head Ref. No. 6 [page 28](#), Ref. No. 5 [page 29](#), and Ref. No. 17 [page 30](#)

	Unit No.	Order No.
	PS3	2640702
	PS4	2640704
	PS510	2640706
	PS5	2640708
	PS6	2640710
	PS8	2640712
	PS9	2640714
	PS12	2640716

Flange - Side Ref. No. 12 [page 28](#), Ref. No. 15 [page 29](#), and Ref. No. 9 [page 30](#)

	Unit No.	Order No.
	PS68	2550026
	PS611	2427016

Weatherstrip


Weatherstrip - Stationary / Side Jamb Ref. No. 17 [page 28](#) and Ref. No. 16 [page 29](#)

	Unit No.	Left	Right
	PS611	1997106	1997107

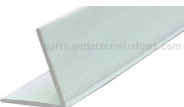
Weatherstrip - Stationary / Head Jamb / Pile Ref. No. 2 [page 28](#) and Ref. No. 2 [page 29](#) (Prior to 1979)

	Order No.
	1997103

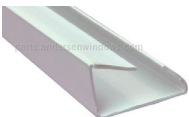
Weatherstrip Set - Operating / Side Jamb

	Unit No.	Left	Right
	PS611	1997104	1997105

Weatherstrip - Operating / Side Jamb / Inside Ref. No. 11 [page 28](#)

	Unit No.	Order No.
	PS510	2550020
	PS611	1997108


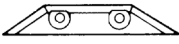
Weatherstrip - Operating / Side Jamb / Outside Ref. No. 10 [page 28](#)

	Unit No.	Left	Right
	PS510	2550021	2550046
	PS611	1997109	1997110

Perma-Shield® Gliding Doors (PSII 1978 to 1981)

2-Panel, 3-Panel, and Sidelights

Frames

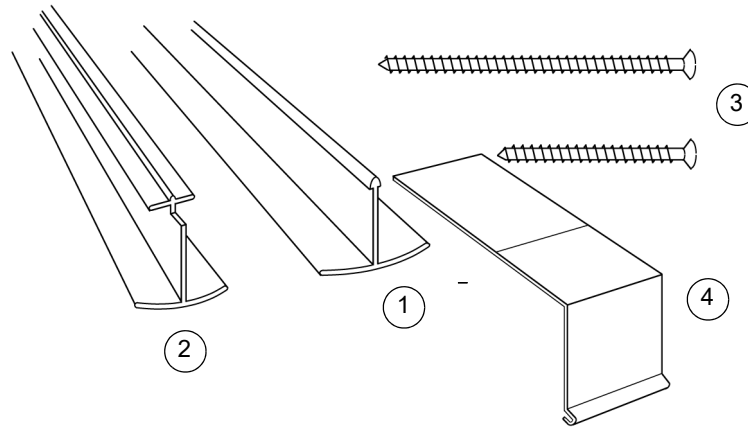
Frame Parts and Hardware		
Bumper with Screws - Head / 2- and 3-Panel		
		Order No.
		1997083
Block with Screws - Stationary / Sill		
		Order No.
		1997035
Screw Package - Frame / 2-Panel		
		Order No.
		1997170

Optional Frame Accessories			
Oak Threshold Ref. Ref. No. 22 page 28 , and Ref. No. 21 page 29 , No. 8 page 30			
	Note: For PS510 doors order PS6 size and cut to size.	Unit No.	Order No.
		PS3 29/30/33	1207010
		PS4 40/43	1207020
		PS6 510/6	1207030
		PS8	1207040
		PS9	1207045
		PS12	1207050

Sill Support Ref. Ref. No. 21 page 28 , and Ref. No. 20 page 29 , No. 7 page 30		
	Unit No.	Order No.
	PS3	1997045
	PS4	1997046
	PS510	2550011
	PS6	1997057
	PS8	1997058
	PS9	1997059
	PS12	1997060

Joining Components

Narrow Mullion



- 1. Interior Trim Strip
- 2. Outside Vinyl Trim Strip
- 3. Screws
- 4. Head Flashing

Perma-Shield Gliding Door (PSII) Narrow Mullion

Outside Vinyl Trim Strip Ref. No. 2

	Unit No.	Dimensions	White
	PS68	78 ⁷ / ₃₂	1970927
	PS611	81 ³ / ₃₂	1970928
	PS80	94 ⁷ / ₃₂	2510220

Interior Trim Ref. No. 1

	Unit No.	Dimensions	White
	68	78 ⁷ / ₃₂	1970925
	611	81 ³ / ₃₂	1970926
	80	94 ⁷ / ₃₂	1970932

Head Flashing Ref. No. 4

	Unit No.	Dimensions	White
	All Units	2 ¹ / ₂	1997264