

What's in This Section

2-Panel, 3-Panel and Sidelights	Page 3
Parts Illustration	3
Parts Illustration - 2-Panel	3
Parts Illustration - 3-Panel	4
Unit Sizes	5
Unit Size Chart	5
Product History	6
Milestones	6
Panels - Operating	7
Panel Graphic - Operating / 2-Panel	7
Panel Graphic - Operating / 3-Panel	8
Size Table - Operating Panels	9
Bottom Rail Channel - Operating / Weatherstrip	9
Weatherstrip - Operating	9
Interlocks and Weatherstrip - Operating / 2- and 3-Panel	10
Panel Parts - Operating	12
Panels - Stationary	13
Panel Graphic - Stationary / 2-Panel	13
Panel Graphic - Stationary / 3-Panel	14
Size Table - Stationary Panels	16
Panels - Stationary	16
Panel Interlocks - Stationary / 2- and 3-Panel	17
Weatherstrip - Stationary / Interlock / 2- and 3-Panel	18
Brackets - Stationary Panels	19
.....	19
Insect Screens	20
Insect Screen Graphic - 2-Panel	20
Insect Screen Graphic - 3-Panel	21
Gliding Insect Screen	22
Hardware - Insect Screen	22
Hardware	24
Handles	24
Locks and Lock Parts	25
Fasteners	26
Frames	29
Frame Graphic - Sidelight	29
Frame Graphic - 2-Panel	30

Frame Graphic - 3-Panel	31
Windbreak Flanges	32
Sills	32
Weatherstrip	32
Frame Accessories	32
Frame Parts and Hardware	33
Joining Components	34
Narrow Mullion	34
Support Mullion	35

Prefinished Terratone® Gliding Doors (1975 to 1982)

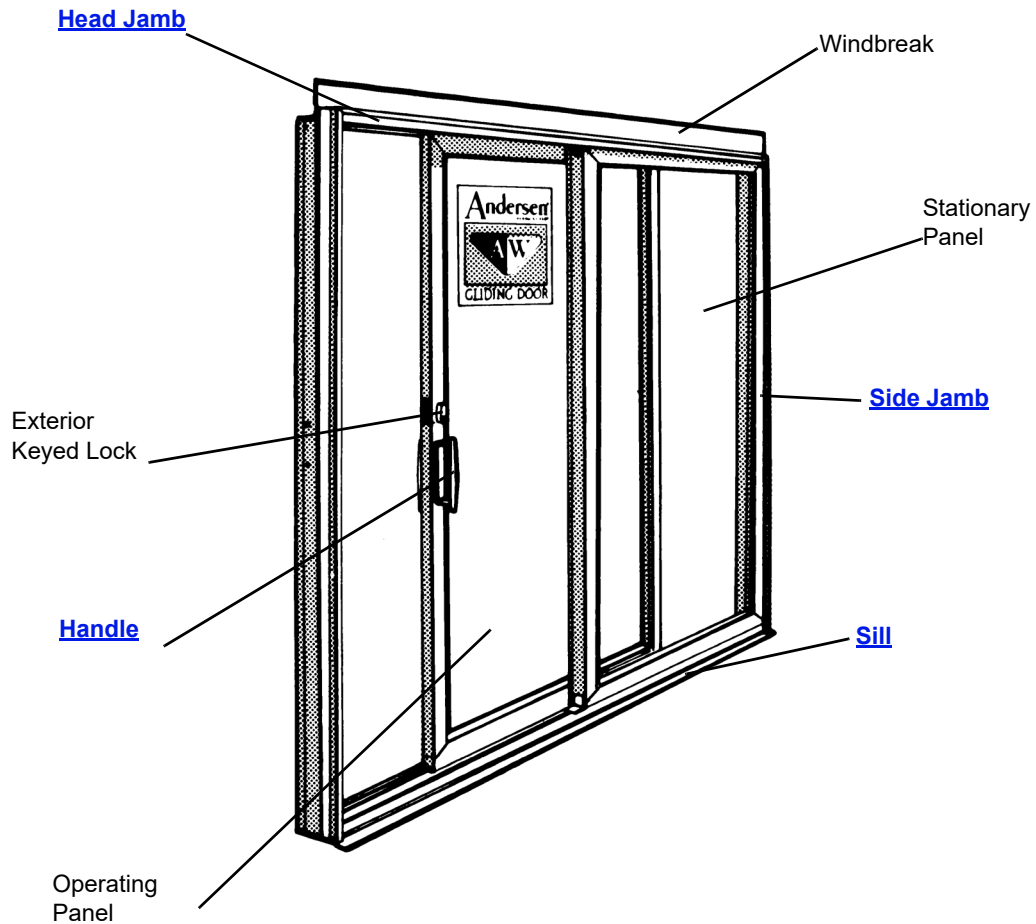
2-Panel, 3-Panel and Sidelights

Parts Illustration

Parts Illustration - 2-Panel

Note:

Construction is all wood.



Manufactured 1975 to 1982

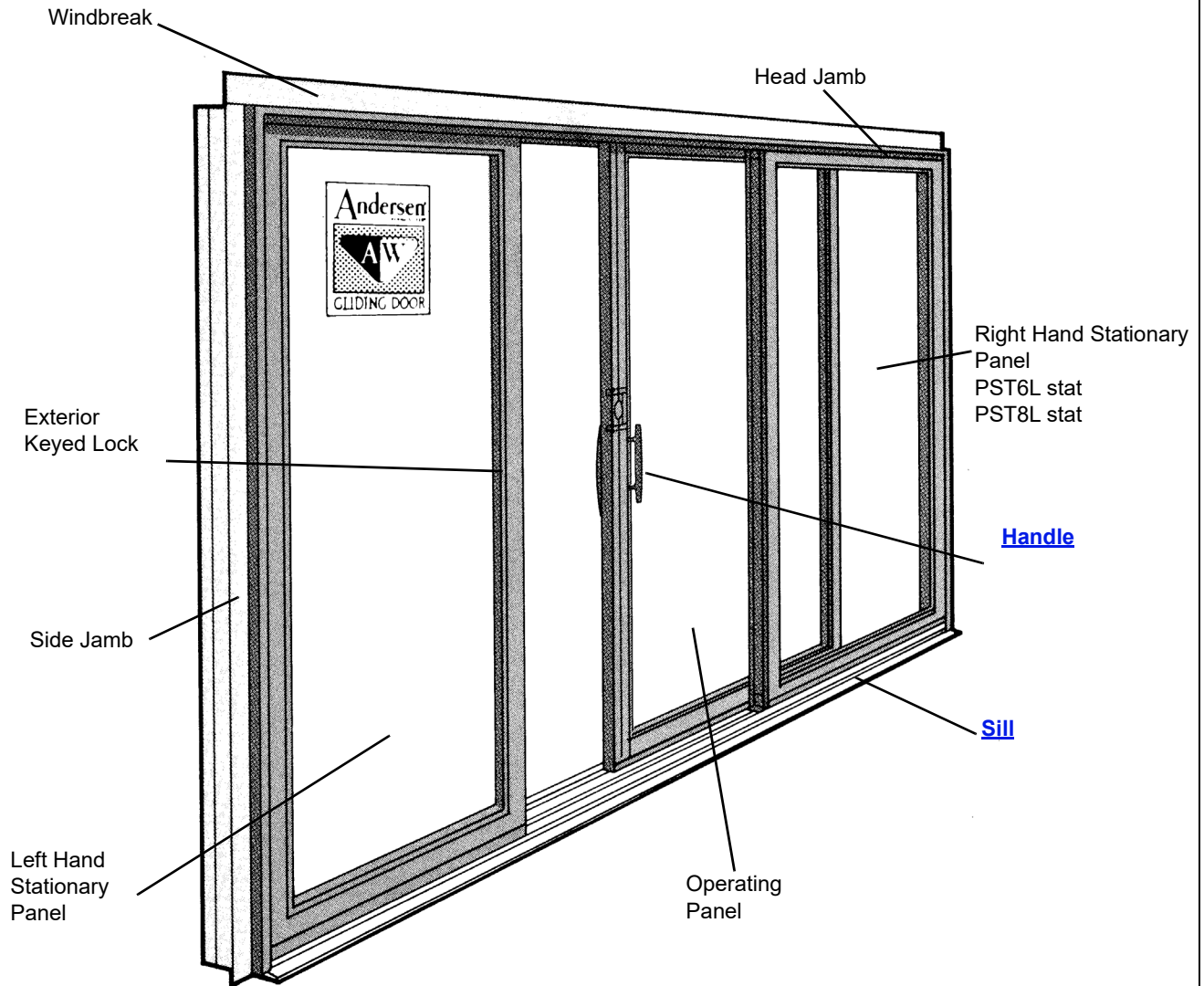
Prefinished Terratone® Gliding Door Unit Parts - 2-Panel

Unit viewed from exterior.

Parts Illustration

Parts Illustration - 3-Panel

Note:
Replacement parts are available.



Manufactured 1975 to 1982
Prefinished Terratone® Gliding Door Unit Parts - 3-Panel

Unit viewed from exterior.

Prefinished Terratone® Gliding Doors (1975 to 1982)

2-Panel, 3-Panel and Sidelights

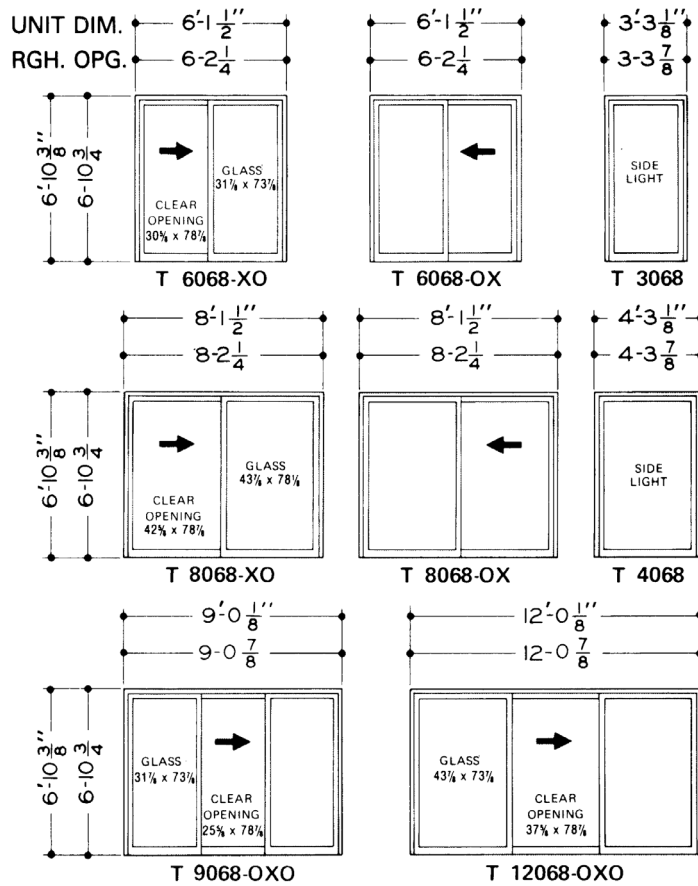
Unit Sizes

Unit Size Chart

Note:

Unit Dimension refers to overall outside-to-outside frame. Unobstructed Glass refers to visible glass dimensions. Numbers in parentheses are metric measurements.

X = Operating
O = Stationary



Prefinished Terratone® Gliding Door Basic Unit Sizes

Unit viewed from exterior.

Product History

Milestones

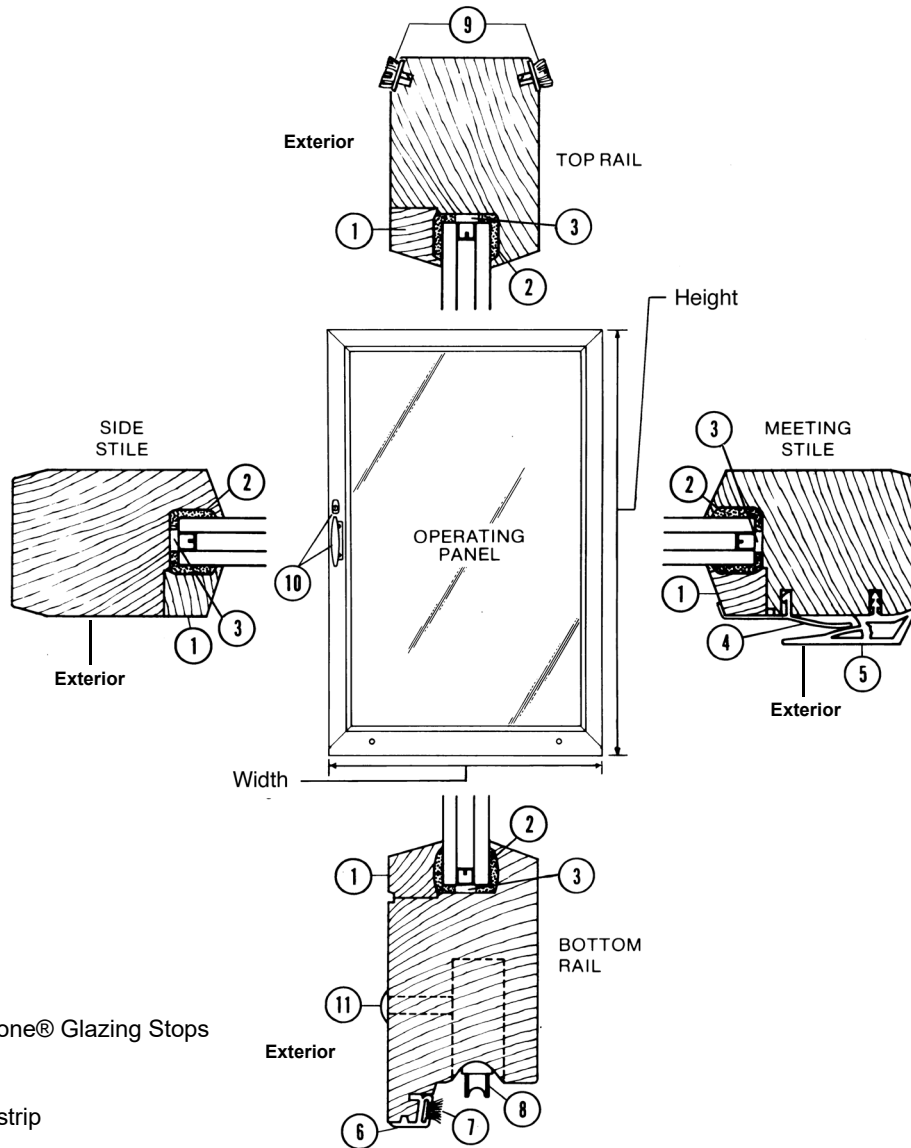
- 1982** Prefinished Gliding Door discontinued.
- 1981** Outside keyed lock made optional.
Sill support and inside oak threshold offered as options.
- 1975** Prefinished Gliding Door introduced.

Prefinished Terratone® Gliding Doors (1975 to 1982)

2-Panel, 3-Panel and Sidelights

Panels - Operating

Panel Graphic - Operating / 2-Panel

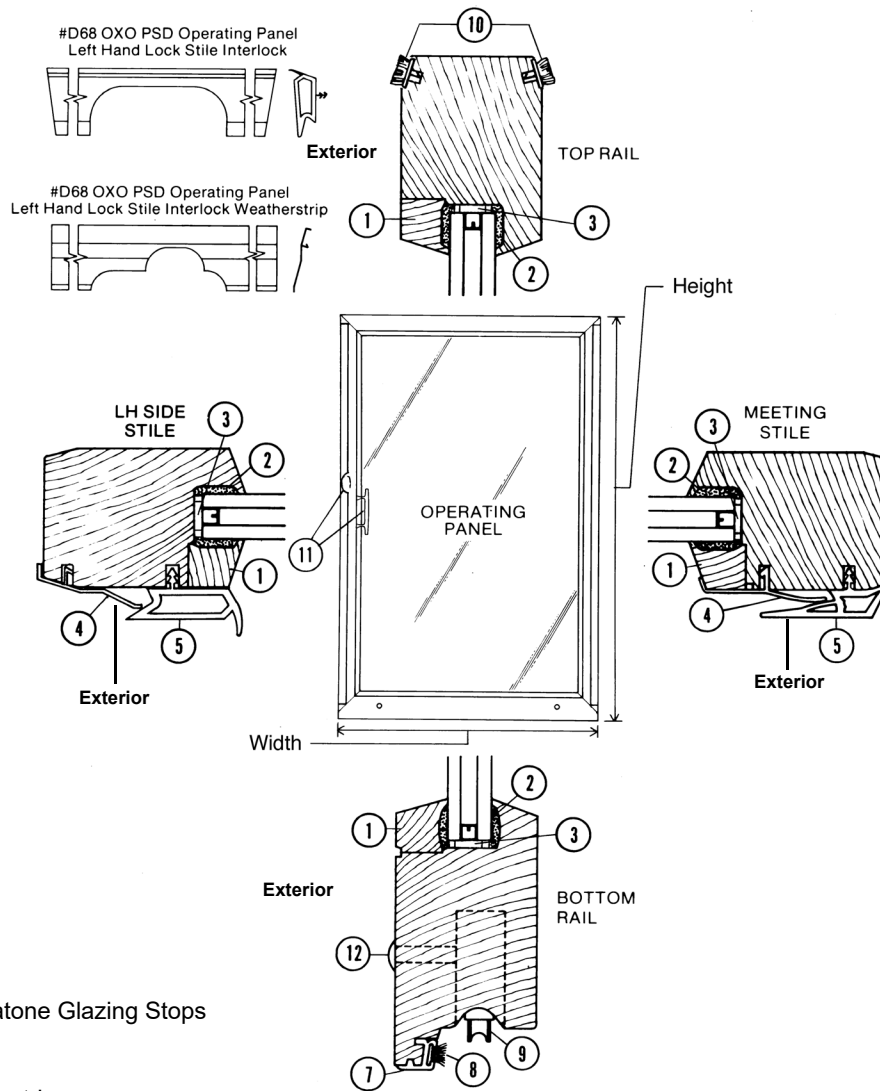


1. Prefinished Terratone® Glazing Stops
2. Glazing Tape
3. Glass Spacers
4. Interlock Weatherstrip
5. Interlock
6. [Bottom Rail Weatherstrip Channel, Operating Panel](#)
7. [Bottom Rail Weatherstrip](#)
8. [Tandem Rollers](#)
9. [Top Rail Weatherstrip](#)
10. [Hardware](#)
11. [Adjusting Hole Plug](#)

Prefinished Terratone® Gliding Door Operating Panel - 2-Panel

Panels - Operating

Panel Graphic - Operating / 3-Panel



1. Prefinished Terratone Glazing Stops
2. Glazing Tape
3. Glass Spacers
4. Interlock Weatherstrip
5. Interlock
7. [Bottom Rail Weatherstrip Channel, Operating Panel](#)
8. [Bottom Rail Weatherstrip](#)
9. [Tandem Rollers](#)
10. [Top Rail Weatherstrip](#)
11. [Hardware](#)
12. [Adjusting Hole Plug](#)

Prefinished Terratone® Gliding Door Operating Panel - 3-Panel

Prefinished Terratone® Gliding Doors (1975 to 1982)

2-Panel, 3-Panel and Sidelights

Panels - Operating

Size Table - Operating Panels

Note:

Operating Panel is measured outside edge to outside edge of frame.

Unobstructed Glass is dimension from outside edge to outside edge of visible glass only.

Actual Glass is dimension of outside edge to outside edge of glass, including glass that is not visible.

Unit No.	Operating Panel (w x h)	Unobstructed Glass (w x h)	Actual Glass (w x h)
3/6	37 1/8 x 80 3/32	31 7/8 x 73 7/8	33 x 74 7/8
4/8	49 1/8 x 80 3/32	43 7/8 x 73 7/8	45 x 74 7/8
9	37 1/8 x 80 3/32	31 7/8 x 73 7/8	33 x 74 7/8
12	49 1/8 x 80 3/32	43 7/8 x 73 7/8	45 x 74 7/8

Bottom Rail Channel - Operating / Weatherstrip

Channel - Operating / Weatherstrip / Bottom Rail Ref No. 6 [page 7](#) and Ref. No. 7 [page 8](#)

	Unit No.	Order No.
	6	1275604
	8	1275606

Weatherstrip - Operating

Weatherstrip - Operating / Bottom Rail Ref. No. 7 [page 7](#) and Ref. No. 8 [page 8](#)

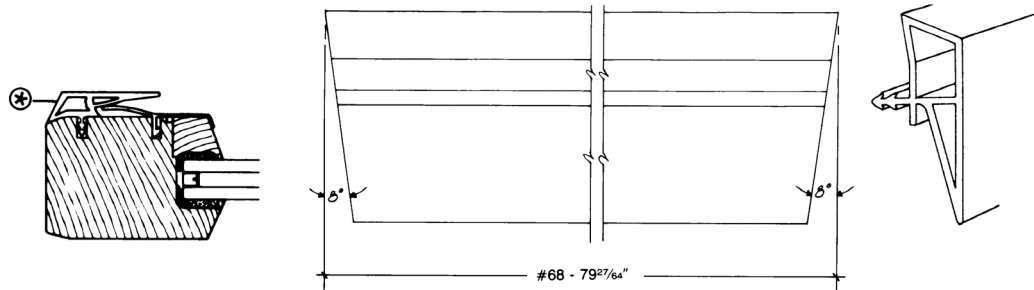
	Unit No.	Order No.
	6/9	1275504
	8	1275506

Weatherstrip - Operating / Top Rail Ref No. 9 [page 7](#) and Ref. No. 10 [page 8](#)

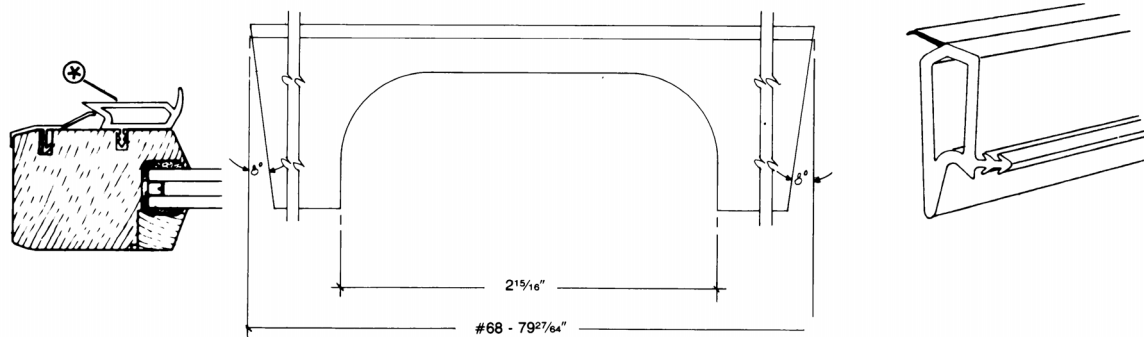
	Unit No.	Order No.
	6/9	1275704
	8/12	1275706

Panels - Operating

Interlocks and Weatherstrip - Operating / 2- and 3-Panel



**2-Panel, Left and Right
3-Panel, Right Meeting Stile**



⊗ - Interlocks as applied.

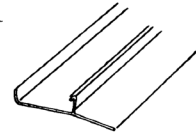
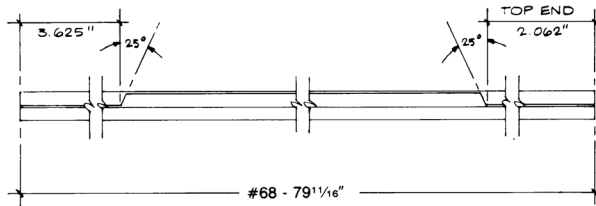
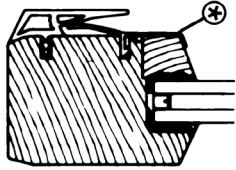
3-Panel, Left Lock Stile

Prefinished Terratone® Gliding Door Operating Panel Interlocks

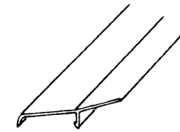
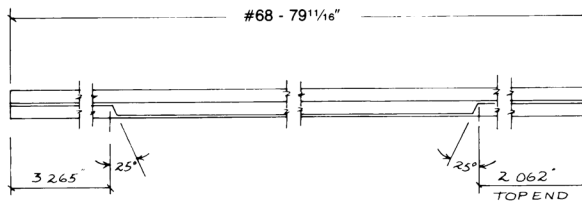
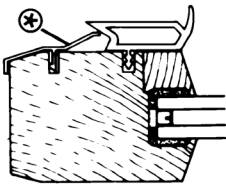
Prefinished Terratone® Gliding Doors (1975 to 1982)

2-Panel, 3-Panel and Sidelights

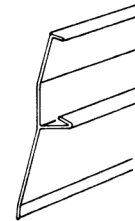
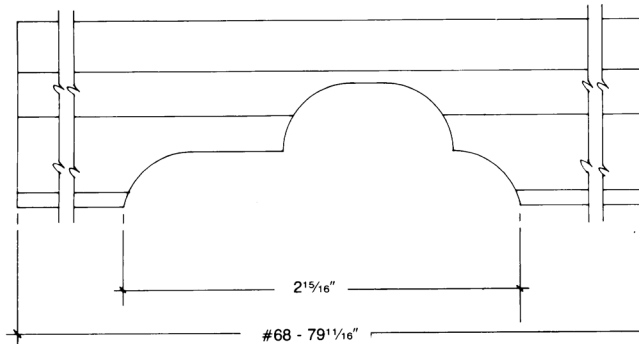
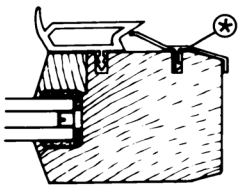
Panels - Operating



**2-Panel, Left
3-Panel, Left Meeting Stile**



2-Panel, Left

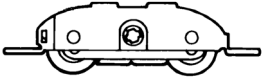
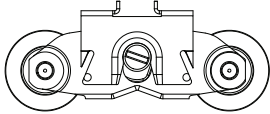



3-Panel, Lock Stile

⊛-W/S as applied.

Prefinished Terratone® Gliding Door Operating Panel Interlock Weatherstrip

Panels - Operating

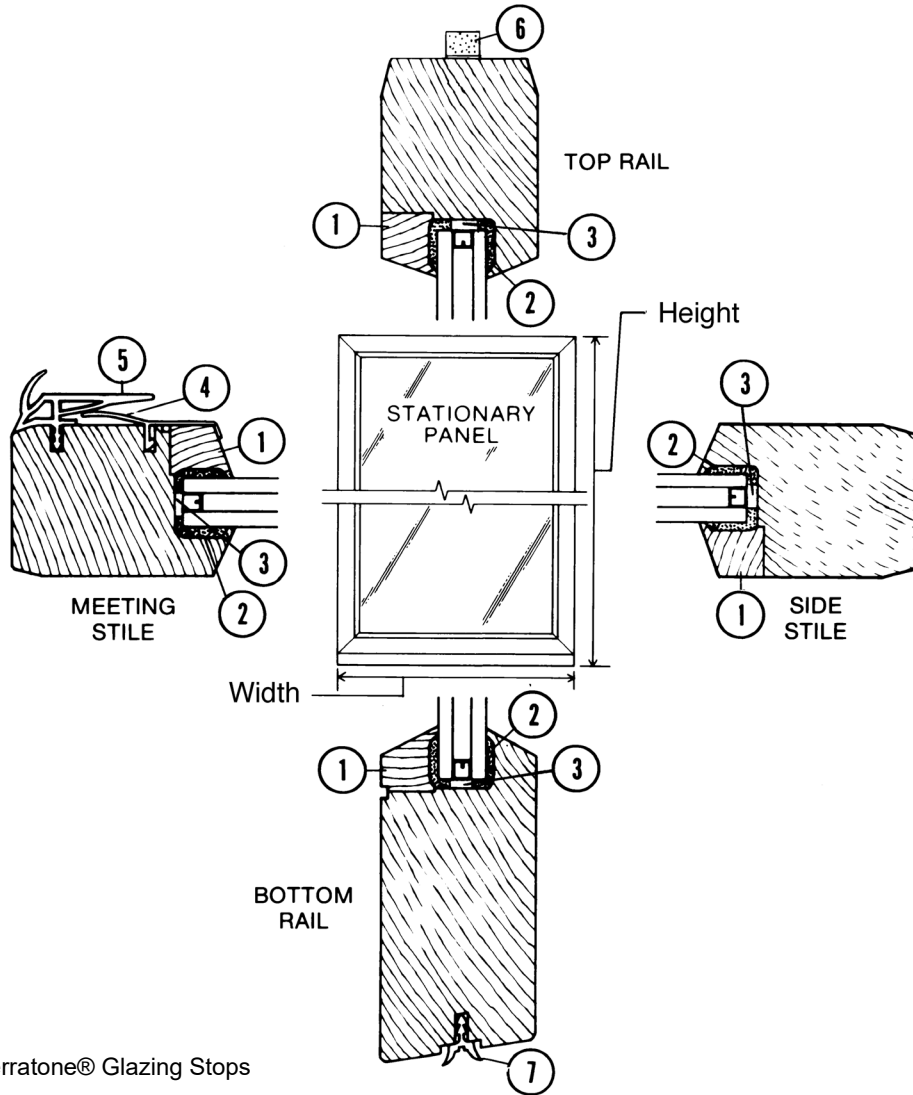
Panel Parts - Operating		
Tandem Roller with Screws - Operating Ref. No. 8 page 7 and Ref. No. 9 page 8		
		Order No.
		N/A
Tandem Rollers - Operating		
	Note: This is the 1982 to present roller, which is used to replace the Prefinished Terratone® door roller.	Order No.
		1997061
Hole Plug - Operating / Adjuster Ref. No. 11 page 7 and Ref. No. 12 page 8		
	Note: Plugs are located on panel exterior.	Terratone
		2474004

Prefinished Terratone® Gliding Doors (1975 to 1982)

2-Panel, 3-Panel and Sidelights

Panels - Stationary

Panel Graphic - Stationary / 2-Panel



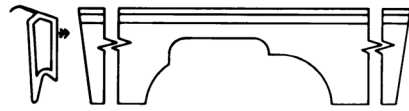
1. Prefinished Terratone® Glazing Stops
2. Glazing Tape
3. Glass Spacers
4. Interlock Weatherstrip
5. Interlock
6. Foam Weatherstrip
7. Seal Trim Gasket

Prefinished Terratone® Gliding Door Stationary Panel - 2-Panel (RH Panel for LH Door Shown)

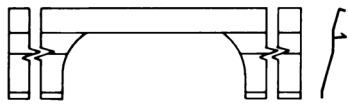
Unit viewed from exterior.

Panels - Stationary

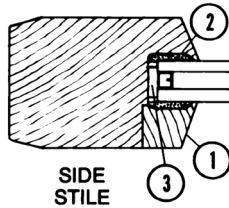
Panel Graphic - Stationary / 3-Panel



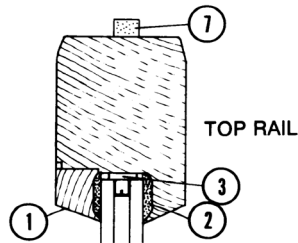
#D68 OXO PSD Left Hand Stationary Panel Interlock



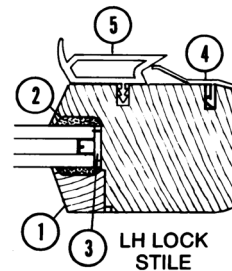
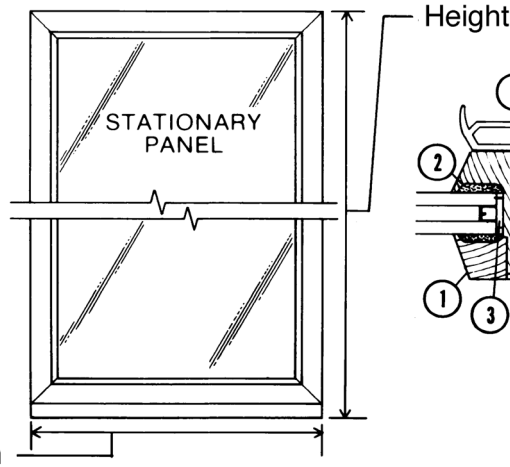
#D68 OXO PSD Left Hand Stationary Panel Interlock Weatherstrip



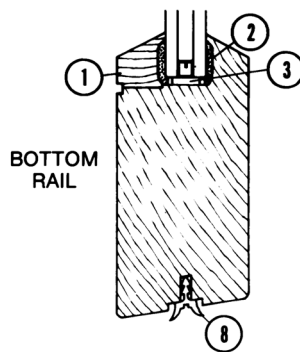
SIDE STILE



TOP RAIL



LH LOCK STILE



BOTTOM RAIL

1. Glazing Stops
2. Glazing Tape
3. Glass Spacer
4. Interlock Weatherstrip
5. Interlock
7. Foam Weatherstrip
8. Seal Trim Gasket

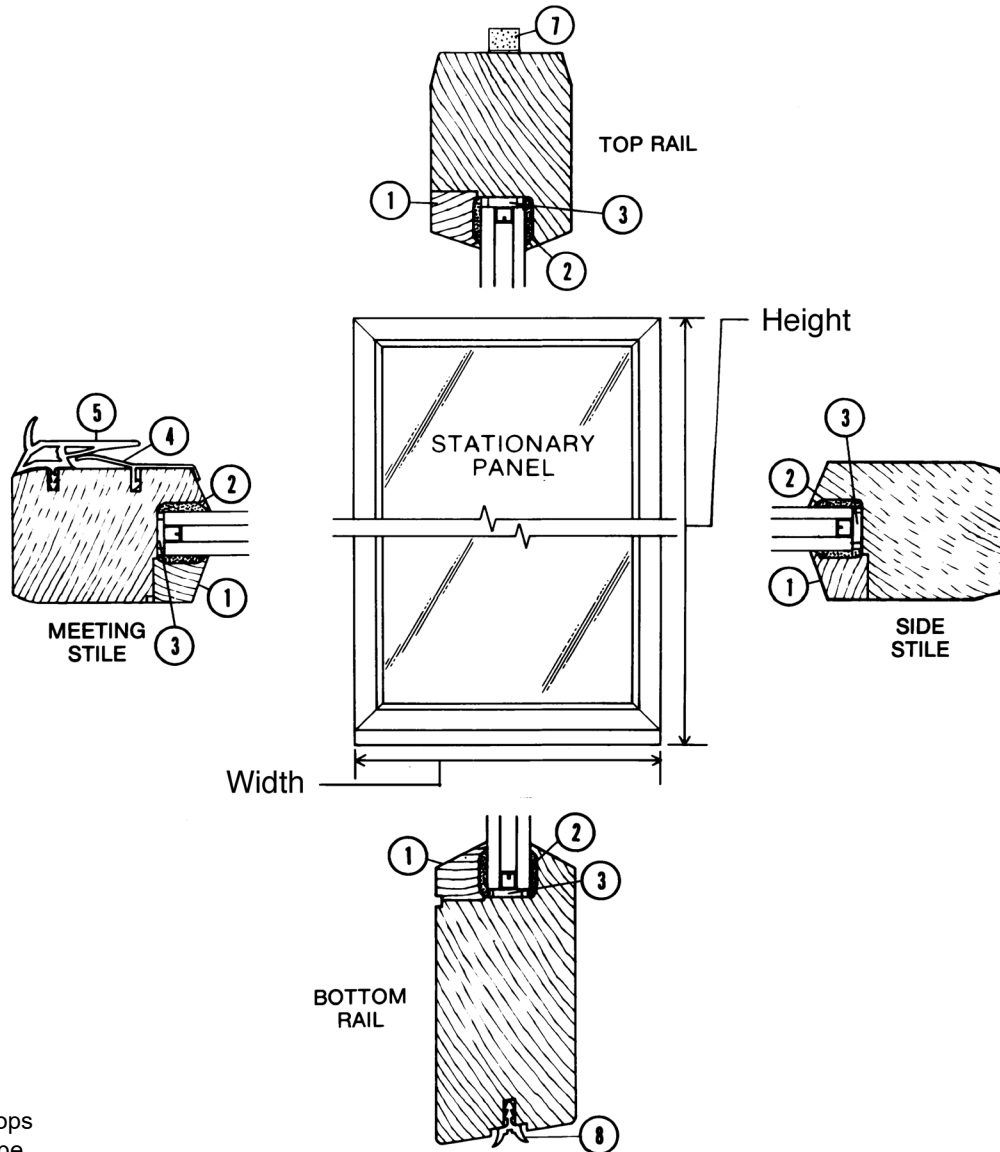
Prefinished Terratone® Gliding Door Stationary Panel (RH Panel for 3-Panel Door))

Prefinished Terratone® Gliding Doors (1975 to 1982)

2-Panel, 3-Panel and Sidelights

Panels - Stationary

Panel Graphic - Stationary / 3-Panel



- 1. Glazing Stops
- 2. Glazing Tape
- 3. Glass Spacer
- 4. Interlock Weatherstrip
- 5. Interlock
- 7. Foam Weatherstrip
- 8. Seal Trim Gasket

Prefinished Terratone® Gliding Door Stationary Panel - 3-Panel (RH Panel Shown)

Unit viewed from exterior.

Panels - Stationary

Size Table - Stationary Panels

Note:

Stationary Panel is measured outside edge to outside edge of frame.

Unobstructed Glass is dimension from outside edge to outside edge of visible glass only.

Actual Glass is dimension of outside edge to outside edge of glass, including glass that is not visible.

Unit No.	Stationary Panel (w x h)	Unobstructed Glass (w x h)	Actual Glass (w x h)
3	37 1/8 x 80 5/8	31 7/8 x 73 7/8	33 x 74 7/8
4	49 1/8 x 80 5/8	43 7/8 x 73 7/8	45 x 74 7/8
6	37 1/8 x 80 5/8	31 7/8 x 73 7/8	33 x 74 7/8
8	49 1/8 x 80 5/8	43 7/8 x 73 7/8	45 x 74 7/8
9	37 1/8 x 80 5/8	31 7/8 x 73 7/8	33 x 74 7/8
12	49 1/8 x 80 5/8	43 7/8 x 73 7/8	45 x 74 7/8

Panels - Stationary

Panel - Stationary / Dual Pane Tempered

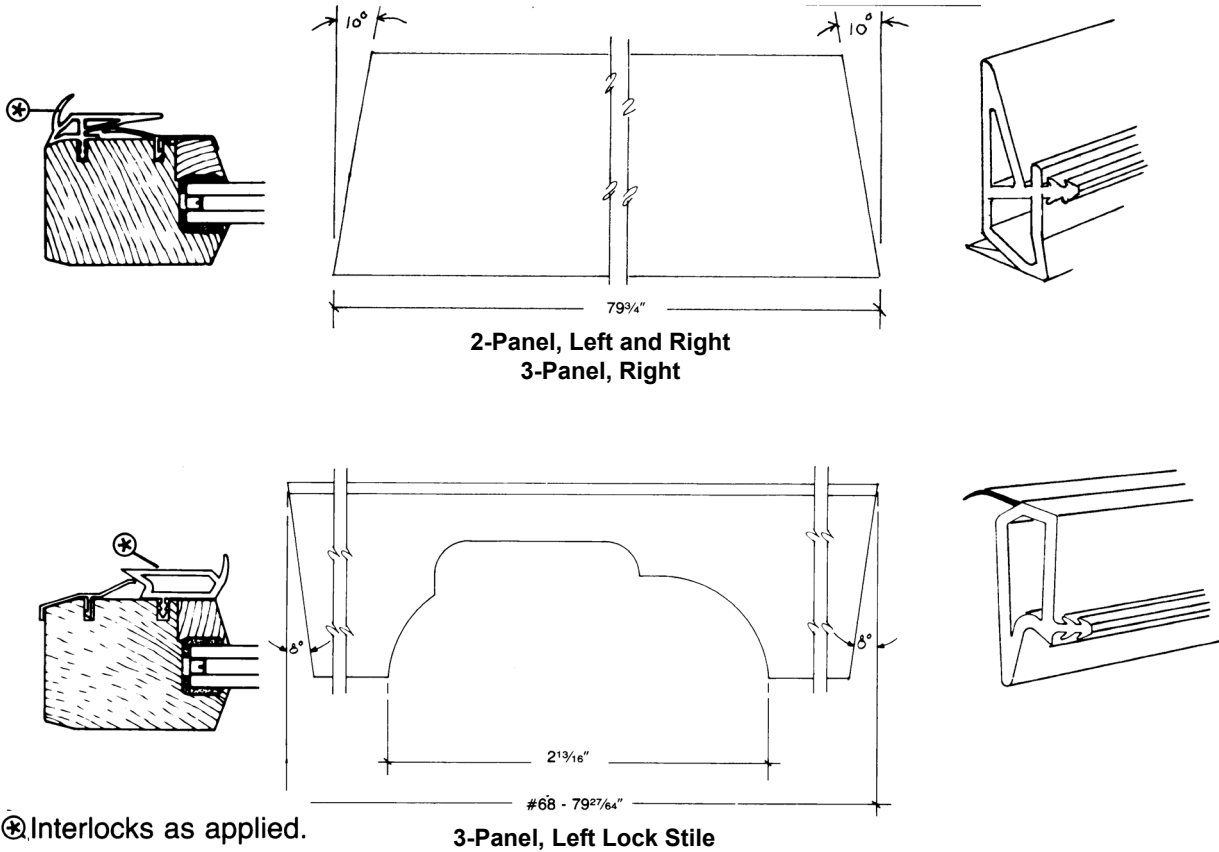
	Unit No.	Left	Right
	3	N/A	
	4	N/A	
	6	N/A	N/A
	8	N/A	N/A
	9	N/A	
	12	N/A	

Prefinished Terratone® Gliding Doors (1975 to 1982)

2-Panel, 3-Panel and Sidelights

Panels - Stationary

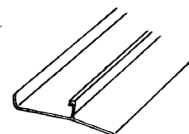
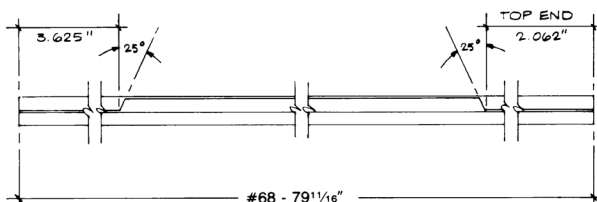
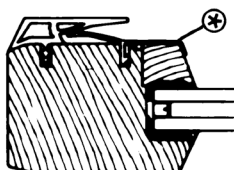
Panel Interlocks - Stationary / 2- and 3-Panel



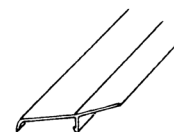
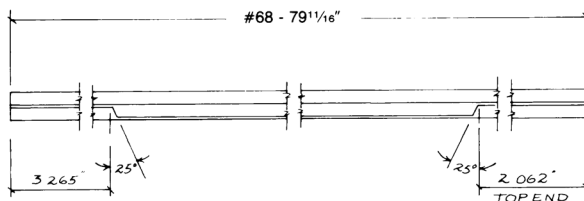
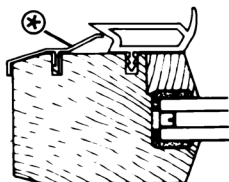
Prefinished Terratone® Gliding Door Stationary Panel Interlocks

Panels - Stationary

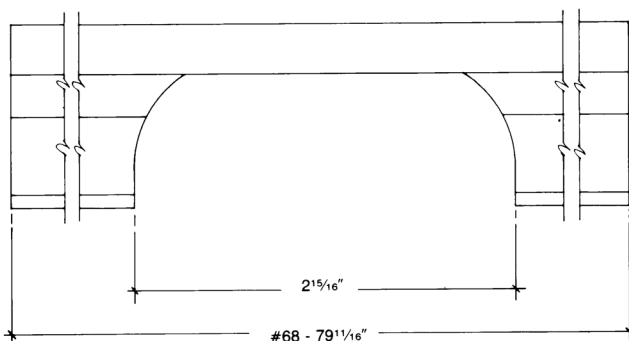
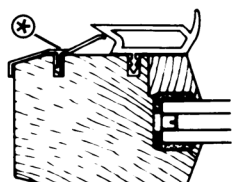
Weatherstrip - Stationary / Interlock / 2- and 3-Panel



**2-Panel, Left
2-Panel, Right
3-Panel, Right Meeting Stile**



2-Panel, Right



⊕-W/S as applied.

3-Panel, Left Lock Stile

Prefinished Terratone® Gliding Door Stationary Panel Interlock Weatherstrip

Prefinished Terratone® Gliding Doors (1975 to 1982)

2-Panel, 3-Panel and Sidelights

Panels - Stationary

Brackets - Stationary Panels

Bracket - Stationary / Upper



Note:
Use Stone bracket to replace all brackets

Stone

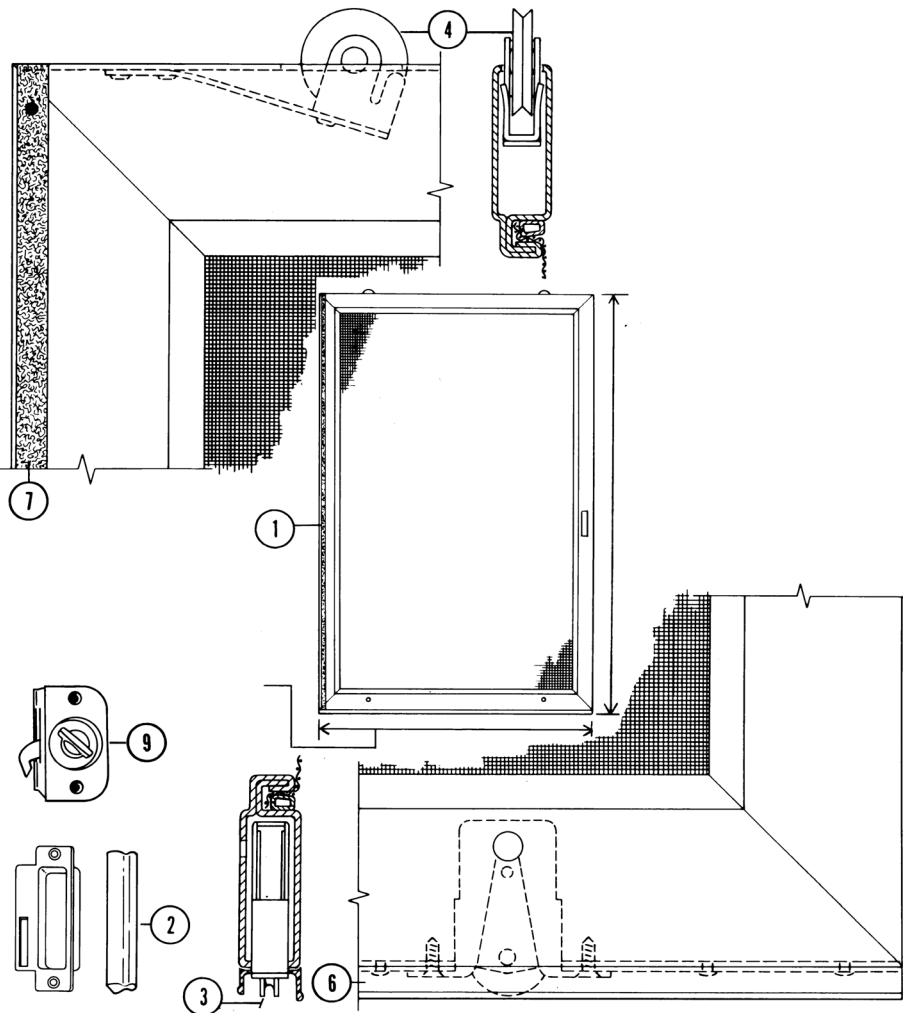
Silver Satin

2573551

N/A

Insect Screens

Insect Screen Graphic - 2-Panel



- 1. Insect Screen
- 2. Handles, 2-Panel
- 3. Bottom Roller
- 4. Top Roller
- 6. Bottom Insect Screen Channel
- 7. Bug Seal Pile Weatherstrip
- 9. Insect Screen Door Latch, 2-Panel

Prefinished Terratone® Gliding Door Insect Screen - 2-Panel

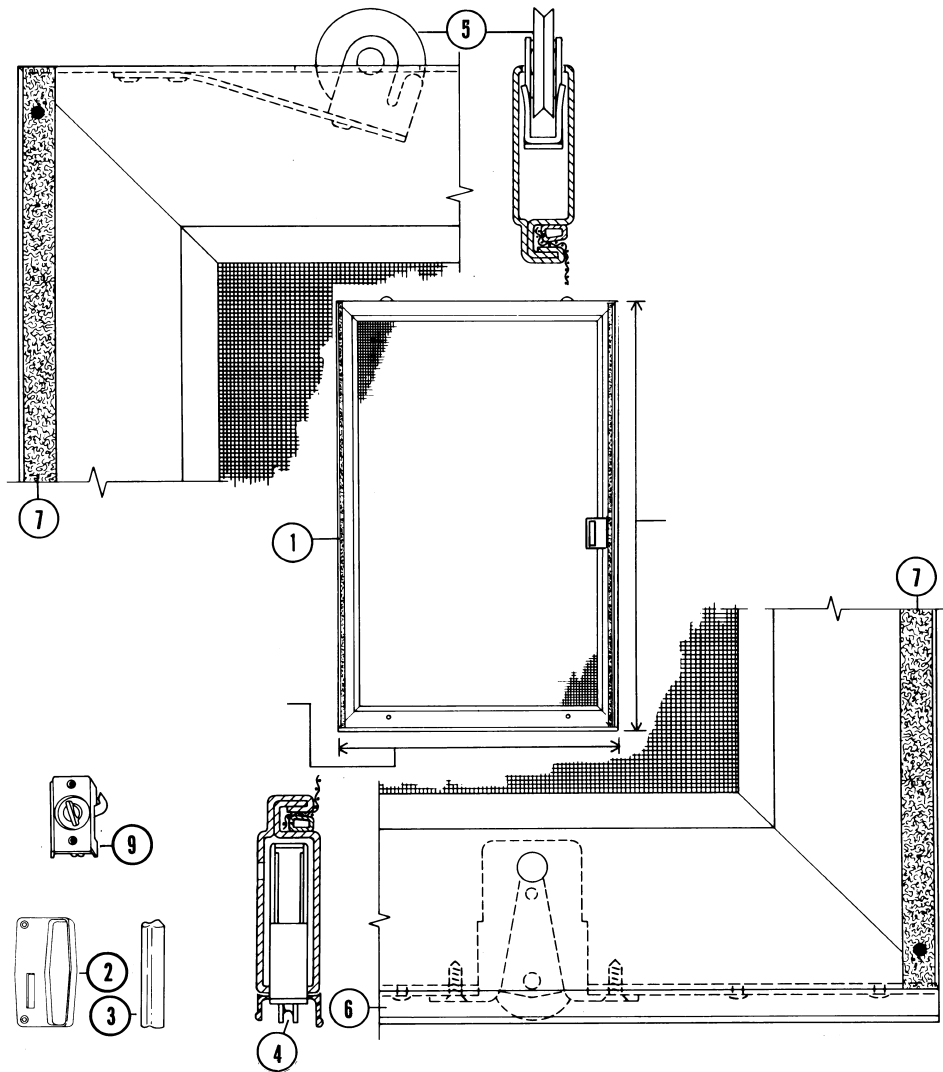
Unit viewed from interior.

Prefinished Terratone® Gliding Doors (1975 to 1982)

2-Panel, 3-Panel and Sidelights

Insect Screens

Insect Screen Graphic - 3-Panel



1. Insect Screen
2. Inside Handle, 3-Panel
3. Outside Handle, 3-Panel
4. Bottom Roller
5. Top Roller
6. Bottom Insect Screen Channel
7. Bug Seal Pile Weatherstrip
9. Insect Screen Door Latch, 3-Panel

Prefinished Terratone® Gliding Door Insect Screen - 3-Panel

Unit viewed from interior.

Insect Screens


Gliding Insect Screen

Insect Screen Ref. No. 1 [page 20](#) and [page 21](#)

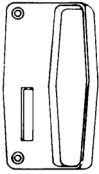
	Unit No.	Dimensions	Left	Right
	6	36 ⁷ / ₈ × 80 ¹ / ₂	2404030	2404034
	8	48 ⁷ / ₈ × 80 ¹ / ₂	2404038	2404042
	9	36 ¹ / ₁₆ × 80 ¹ / ₂	2404045	
	12	48 ¹ / ₁₆ × 80 ¹ / ₂	2404052	

Hardware - Insect Screen


Lock - Insect Screen / Inside / 2-Panel

		Order No.
		2470806


Lock - Insect Screen / Inside / 3-Panel

		Order No.
		2470808

Lock - Insect Screen / Outside / 2- and 3-Panel

		Order No.
		2470804


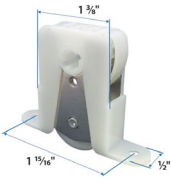
Spring - Upper / Gliding Insect Screen (1983 to 1991)

	Note: Need two (2) per insect screen	Order No.
		1997196




Prefinished Terratone® Gliding Doors (1975 to 1982)

2-Panel, 3-Panel and Sidelights

Insect Screens

Roller - Insect Screen / Upper Ref. No. 4 page 20 and Ref. No. 5 page 21			
	Note: Roller is held in place with rivets. Rivets are not included. Need two (2) per insect screen. Items in red have been discontinued.	Order No.	Replacement
		1274004	N/A
Pop Rivet - Screen Roller / Insect Screen / Upper			
	Note: Need two (2) per roller. 1/8" dia. x 7/32"	Order No.	
		2579482	
Roller / Insect Screen / Lower			
	Note: Need two (2) per insect screen.	Order No.	
		1274104	
Screw - Lower Roller / Gliding Insect Screen			
	Note: Need two (2) per roller.	Order No.	
		3620400	
Weatherstrip - Insect Screen / Bug Seal Pile Ref. No. 7 page 20 and page 21			
	Note: Weatherstrip has an adhesive back. Order by the foot.	Order No.	
		2962038	


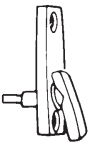
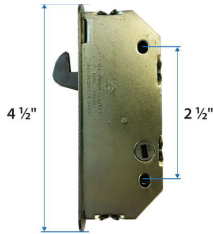
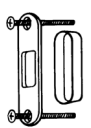
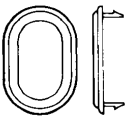
Hardware

Handles			
Handle - Outside / 2-Panel Ref. No. 2 Ref No. 10 page 7			
		Stone	
		1997202	
Handle - Outside / 3-Panel Ref. No. 11 page 8			
		Stone	
		1278010	
Handle - Inside / 2- and 3-Panel			
		Stone	
		1997201	
Bolt - Handle			
		Finish	Order No.
		Stone	1275210
		Silver Satin	N/A
		Rose Gold	N/A

Prefinished Terratone® Gliding Doors (1975 to 1982)

2-Panel, 3-Panel and Sidelights

Hardware

Locks and Lock Parts			
Exterior Lock with Keys - 6-Pin / 3-Panel			
		Color	Order No.
		Stone	N/A
		White	1973052
Face Plate - Lock			
			Order No.
			1273904
Latch - Inside / 2-Panel			
			Stone
			1278303
Deadlock (1978 to 1982)			
			Order No.
			1997156
Strike with Liner - Lock / 2-Panel (1978 to 1982)			
			Order No.
			1997155
O Ring - Lock Escutcheon / 3-Panel			
			Stone
			8323303

Hardware

Fasteners

Note:

Look for additional screws listed with the part where the screw is used. When ordering fasteners with nine-digit 888 numbers (beginning with 888 or 889), provide the following details and order by description:

1. **Product line (example: Prefinished Terratone®)**
2. **Complete size (example: #8 Round Head)**
3. **Description and color (example: Stainless Steel)**
4. **What it is used for: (example: Screen latch to astragal)**
5. **Reference the 888 number: 888284401**

Prefinished Terratone® Gliding Doors (1975 to 1982)

2-Panel, 3-Panel and Sidelights

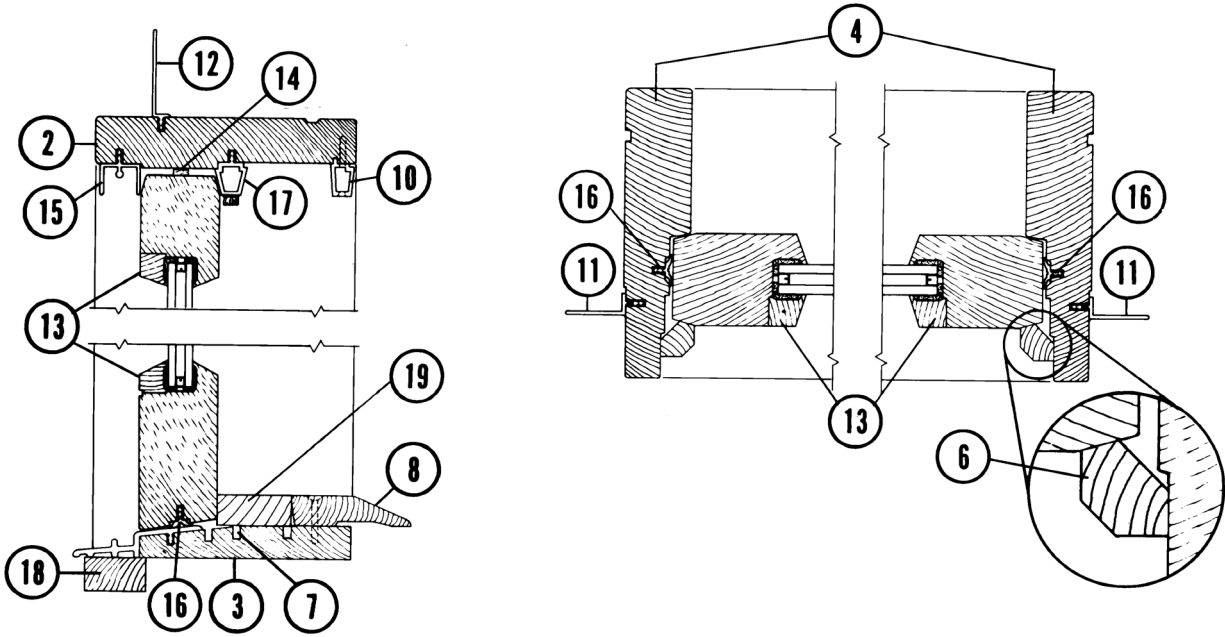
Hardware

Screw - Frame Assembly		
	Description	Clear Chromate
	2 1/2" x #10F.H., Steel	1973113
Screw - Stationary / Bottom Rail Filler		
	Description	Aluminum
	2 1/4" x #8 F.H., Aluminum	888323402
Screw - Replacement Lock Strike		
	Description	Aluminum
	2 1/4" x #8 F.H., Aluminum	888323402
Screw - Head Strip / Inside		
	Description	White
	1 1/2" x #8 F.H., Steel	By description
Screw - Bumper		
	Description	White
	1 1/2" x #8 F.H., Steel	By description
Screw - Interlock / Security		
	Description	White
	1 1/2" x #8 F.H. Steel	By description
Screw - Head Bracket		
	Description	Stone
	1" x #8 F.H., Steel	2653862
Screw - Sill Bracket / To Panel		
	Description	Stone
	1" x #8 F.H., Steel	2653862
Screw - Sill Bracket / To Sill		
	Description	Stone
	3/4" x #8 F.H., Steel	2653864
Screw - Lock Strike		
	Description	Cadium Chromate
	13/16" x #8-32-Mach. F.H., Steel	3620474
Screw - Handle / Insect Screen		
	Description	White
	1" x #10-20-Mach. F.H., Steel	888323407
Screw - Lock Assembly / Handle		
	Description	Stone
	2 3/32" x #10-32 Mach. (pair) O.H., Steel	1275210
	Note: Order No. 1275210 replaces 2573646.	

Hardware

Screw - Operating / Bottom Rail Filler		
	Description	Brass
	1 3/8" x #8, F.H., Steel	By description
Screw - Insect Screen / Latch		
	Description	Stone
	1 1/4" x #8 O.H., Steel	3620540
Pop Rivet - Insect Screen / Bottom Channel		
	Description	Aluminum
	1/8" dia. x 5/16" lng. pop rivet, Domed Head, Aluminum	N/A
Pop Rivet - Insect Screen / Bug Seal		
	Description	Aluminum
	1/8" dia. x 5/16" lng. pop rivet, Domed Head, Aluminum	N/A
Screw - Handle / Old Style		
	Description	Clear Chromate
	1/2" x #8-32 Mach. F.H., Steel	888323413
Screw - Insect Screen / Lower Roller		
	Description	Zinc
	3/8" x #6 sheet metal F.H., Aluminum	3620400
Screw - Lock Cylinder to Lock Housing		
	Description	Brass
	5/16" x #8-32 Mach. with holding washer, O.H., Steel	888323414
Screw - Lock / 3-Panel		
	Description	Stone
	1 1/4" x #7 P.H. O.H., Steel	N/A
Screw - Thumb Latch / Inside / 3-Panel		
	Description	Stone
	5/8" x #8 P.H. O.H., Steel	N/A
Screw - Bumper / Sill / 3-Panel		
	Description	White
	1" x #8 P.H. F.H., Steel	N/A
Screw - Lock Adjuster / 3-Panel		
	Description	Stone
	5/16" x #8-32 Mach. F.H., Steel	N/A

Frame Graphic - Sidelight

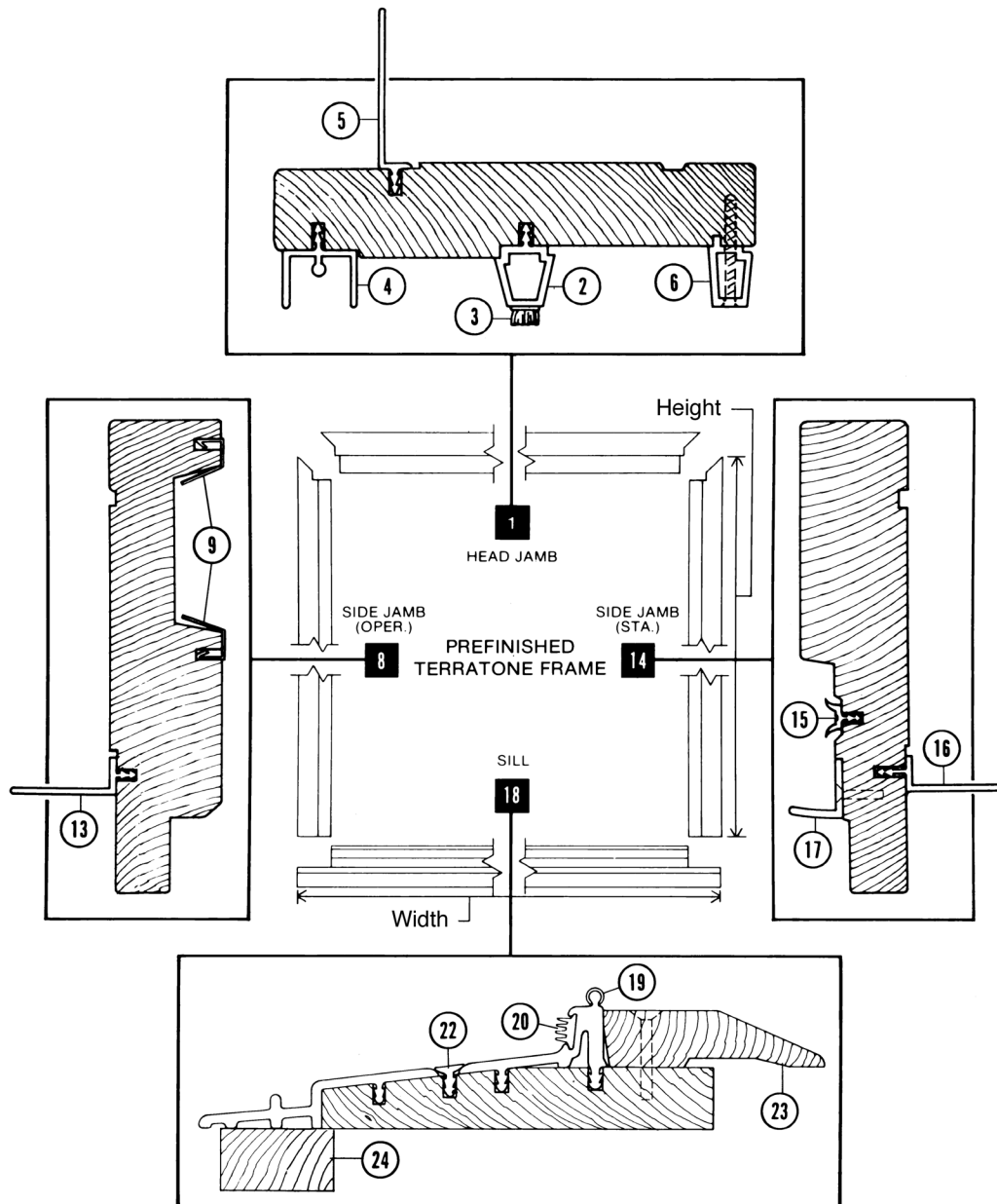


- | | |
|----------------------------------|--------------------------------------|
| 2. Head Jamb | 12. Head Flange |
| 3. Sill | 13. Glazing Stops |
| 4. Side Jambs | 14. Foam Weatherstrip |
| 6. Side Stops | 15. Insect Screen Channel |
| 7. Bottom Clips | 16. Seal Trim Gasket |
| 8. Oak Threshold | 17. Head Parting Stop |
| 10. Inside Stop, Head | 18. Sill Support |
| 11. Side Flange | 19. Sill Filler Piece |

Prefinished Terratone® Gliding Door Frame Assembly - Sidelight

Frames

Frame Graphic - 2-Panel



- | | | |
|--------------------------|---|-----------------------------------|
| 1. Head Jamb | 9. Lock Jamb Weatherstrip | 19. Sill Cap |
| 2. Head Parting Stop | 13. Side Flange | 20. Sill Seal |
| 3. 2" Pile Weatherstrip | 14. Stationary Side Jamb | 22. Sill Thermal Barrier |
| 4. Insect Screen Channel | 15. Seal Trim Gasket | 23. Oak Threshold |
| 5. Head Flange | 16. Side Flange | 24. Sill Support |
| 6. Inside Stop, Head | 17. Stationary Jamb Blind Stop | |
| 8. Operating Side Jamb | 18. Complete Sill | |

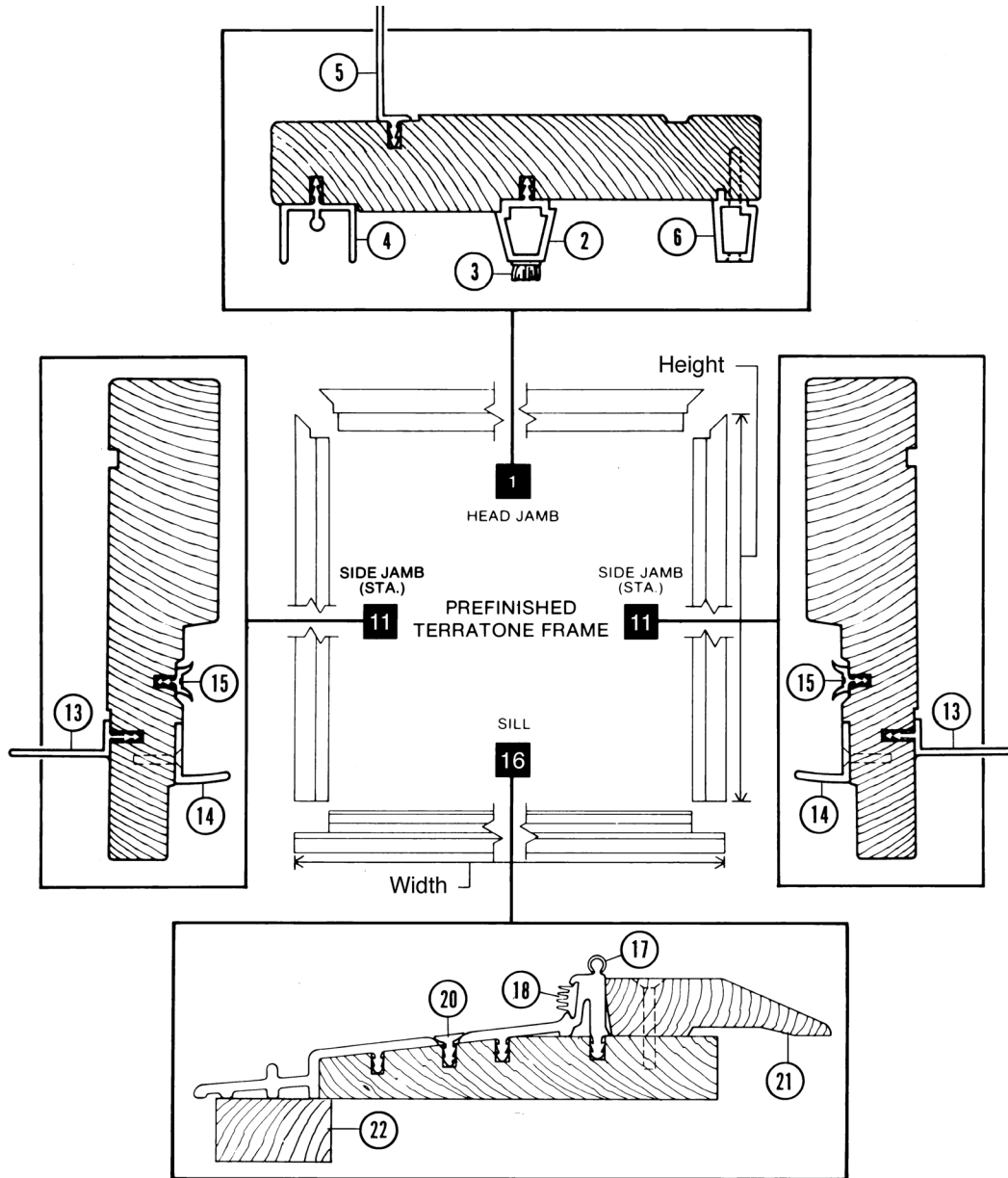
Prefinished Terratone® Gliding Door Frame Assembly - 2-Panel

Prefinished Terratone® Gliding Doors (1975 to 1982)

2-Panel, 3-Panel and Sidelights

Frames

Frame Graphic - 3-Panel



- | | |
|---------------------------------|--------------------------------------|
| 1. Head Jamb | 14. Blind Stops |
| 2. Head Parting Stop | 15. Seal Trim Gasket |
| 3. 2" Pile Weatherstrip | 16. Complete Sill |
| 4. Insect Screen Channel | 17. Sill Cap |
| 5. Head Flange | 18. Sill Seal |
| 6. Inside Stop, Head | 20. Sill Thermal Barrier |
| 11. Side Jamb | 21. Oak Threshold |
| 13. Side Flange | 22. Sill Support |

Prefinished Terratone® Gliding Door Frame Assembly - 3 Panel

Frames

Windbreak Flanges

Windbreak Flange - Side Ref. No. 11 [page 29](#) and Ref. No. 13 [page 30](#) and [page 31](#)

	Unit No.	Length	Order No.
	68 (pair)	82 ⁷ / ₈	2427016

Sills

Cap - Sill Track Ref. No. 19 [page 30](#) and Ref. No. 17 [page 31](#)

	Unit No.	Order No.
	3	N/A
	4	N/A
	6	1997021
	8	1997022
	9	1997023
	12	1997024

Weatherstrip

Weatherstrip - Jamb / Inside Lock

	Order No.
	2473004

Gasket - Seal Trim

	Note:	Order No.
	Order by the foot.	2962044

Frame Accessories

Oak Threshold Ref. No. 8 [page 29](#), Ref. No. 23 [page 30](#), and Ref. No. 21 [page 31](#)

	Unit No.	Order No.
	3	1207010
	4	1207020
	6	1207030
	8	1207040
	9	1207045
	12	1207050

Sill Support Ref. No. 18 [page 29](#), Ref. No. 24 [page 30](#), and Ref. No. 22 [page 31](#)

	Unit No.	Gray
	3	1997055
	4	1997056
	6	1997057
	8	1997058
	9	1997059
	12	1997060

Prefinished Terratone® Gliding Doors (1975 to 1982)

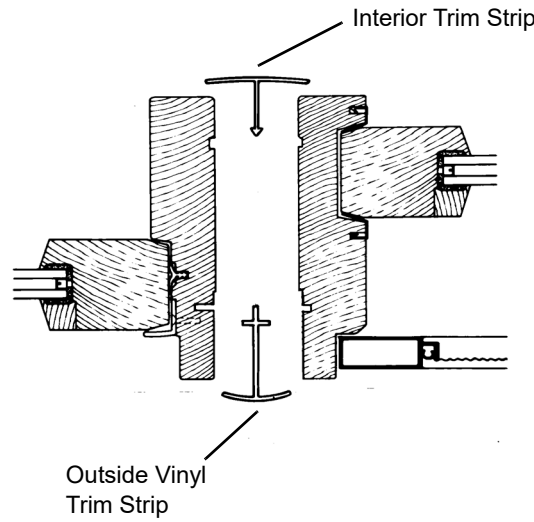
2-Panel, 3-Panel and Sidelights

Frames

Frame Parts and Hardware	
Screw Package - Frame / Sidelight	
	Order No.
	2471204
Panel Clip - Bottom / Sidelight	
	Order No.
	0567608

Joining Components

Narrow Mullion



Prefinished Terratone® Gliding Door Narrow Mullion

Narrow Mullion

Set Includes:

Outside vinyl trim strip - $82 \frac{5}{16}$

Interior trim strip - $80 \frac{7}{8}$

Head flashing

Unit No.

PS68

Order No.

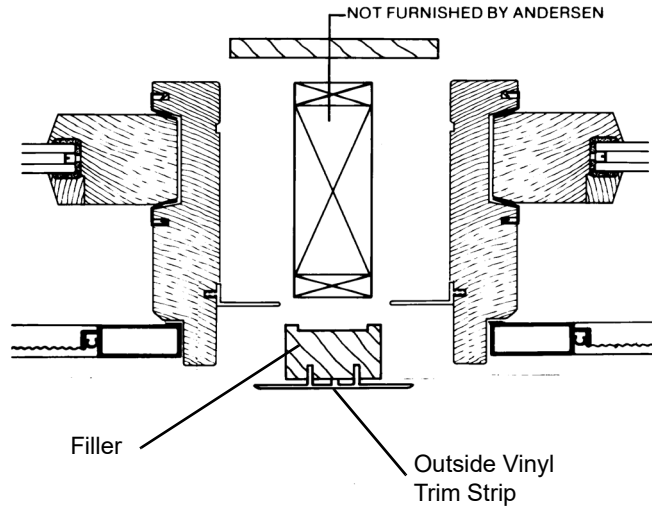
2460104

Prefinished Terratone® Gliding Doors (1975 to 1982)

2-Panel, 3-Panel and Sidelights

Joining Components

Support Mullion



Prefinished Terratone® Gliding Door Support Mullion

Support Mullion

Note:

New trim strip is not compatible with original filler. When you replace the trim strip, you must also replace the filler and flashing.

Set Includes:

- Outside vinyl trim strip - 82 ⁵/₁₆
- Filler
- Flashing

Unit No.

Order No.

PS68

2460204

Notes
