

## What's in This Section

<b>2-Panel, 3-Panel, and Sidelights</b> .....	<b>Page 3</b>
<b>Parts Illustration</b> .....	<b>3</b>
Parts Illustration - 2-Panel .....	3
Parts Illustration - 3-Panel .....	4
<b>Unit Sizes</b> .....	<b>5</b>
Unit Size Chart .....	5
<b>Product History</b> .....	<b>6</b>
Milestones .....	6
<b>Panels - Operating</b> .....	<b>7</b>
Operating Panel Graphic / 2-Panel .....	7
Operating Panel Graphic / 3-Panel .....	8
Operating Panel Size Table .....	9
Panel Parts - Operating .....	9
<b>Panels - Stationary</b> .....	<b>10</b>
Stationary Panel Graphic / 2-Panel .....	10
Stationary Panel Graphic / 3-Panel .....	11
Stationary Panel Size Table .....	12
Panel Parts - Stationary .....	12
<b>Insect Screens</b> .....	<b>13</b>
Insect Screen Graphic - 2-Panel .....	13
Insect Screen Graphic - 3-Panel .....	14
Channels .....	15
Rescreening Kit .....	15
Insect Screen Hardware .....	16
<b>Hardware</b> .....	<b>17</b>
Handles .....	17
Locks and Lock Parts .....	18
Fasteners .....	20
<b>Frames</b> .....	<b>22</b>
Frame Graphic - 2-Panel .....	22
Frame Graphic - 3-Panel .....	23
Frame Graphic - Sidelight .....	24
Insect Screen Guides .....	25
Flanges .....	25
Sills .....	25
Oak Thresholds .....	26
Sill Supports .....	26

Frame Parts and Hardware .....	26
<b>Joining Components .....</b>	<b>27</b>
Narrow Mullion .....	27
Support Mullion .....	28
<b>Service Replacement .....</b>	<b>Page 29</b>
<b>Service Replacement Only Parts .....</b>	<b>29</b>
Gliding Insect Screen Guide - Aluminum / Pre-Drilled .....	29

# Perma-Shield® Gliding Doors (PSI 1968 to 1978)

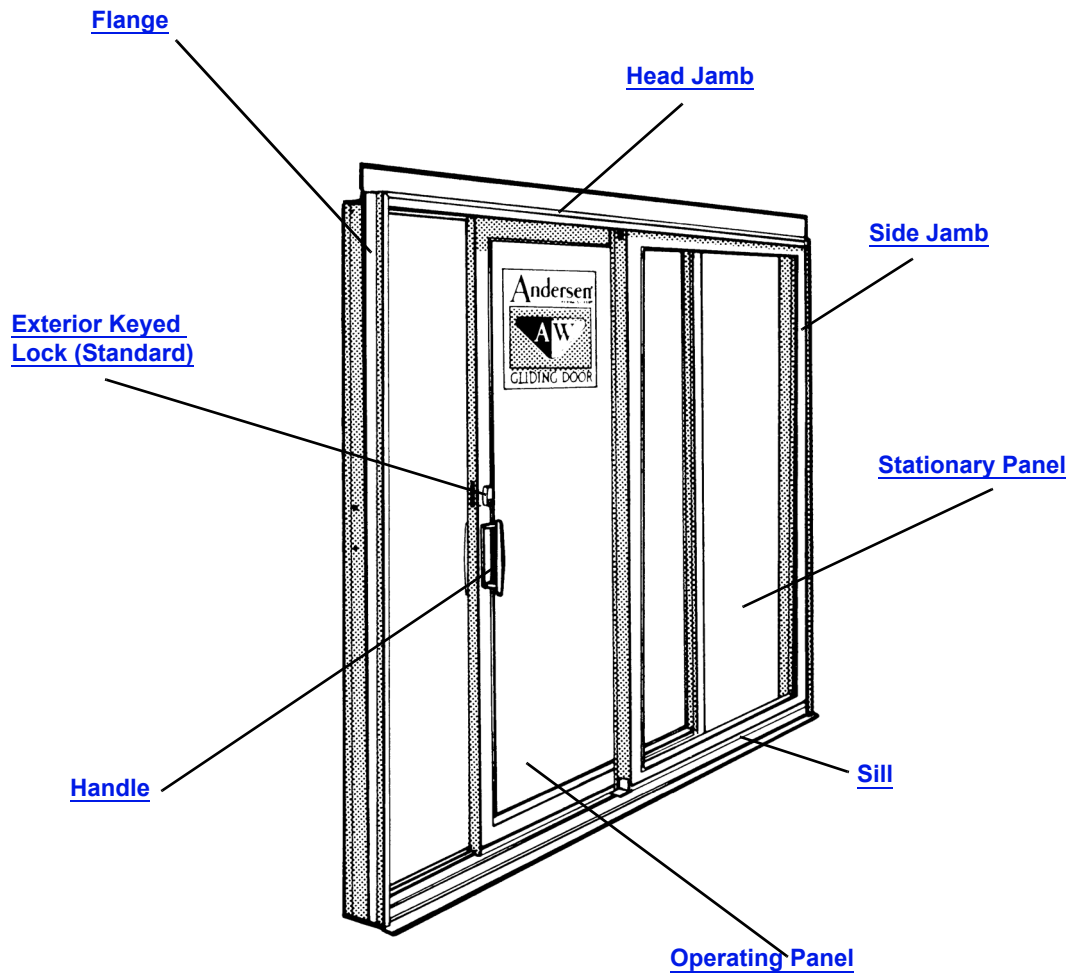
2-Panel, 3-Panel, and Sidelights

## Parts Illustration

### Parts Illustration - 2-Panel

**Note:**

Replacement parts are available. PSI doors have exterior roller adjustments. All other Perma-Shield® Gliding Doors have interior roller adjustments. Replacement panels no longer available as of July of 2008.



Manufactured 1968 to 1978

Perma-Shield® Gliding Door (PSI) Unit Parts - 2-Panel - White Only - Left Hand Shown

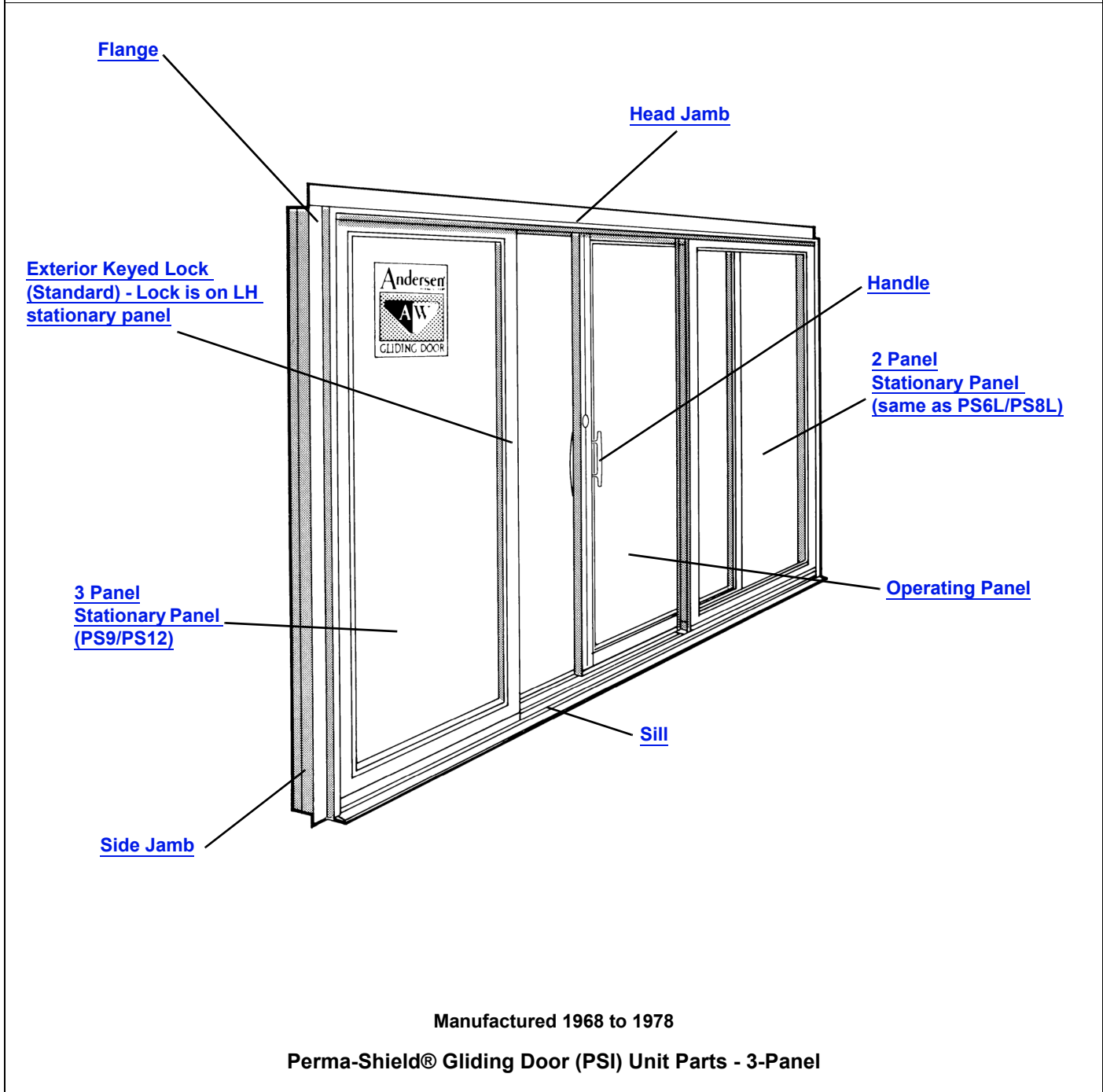
*Unit viewed from exterior.*

## Parts Illustration

### Parts Illustration - 3-Panel

**Note:**

Replacement parts are available. Replacement panels no longer available as of July of 2008.



# Perma-Shield® Gliding Doors (PSI 1968 to 1978)

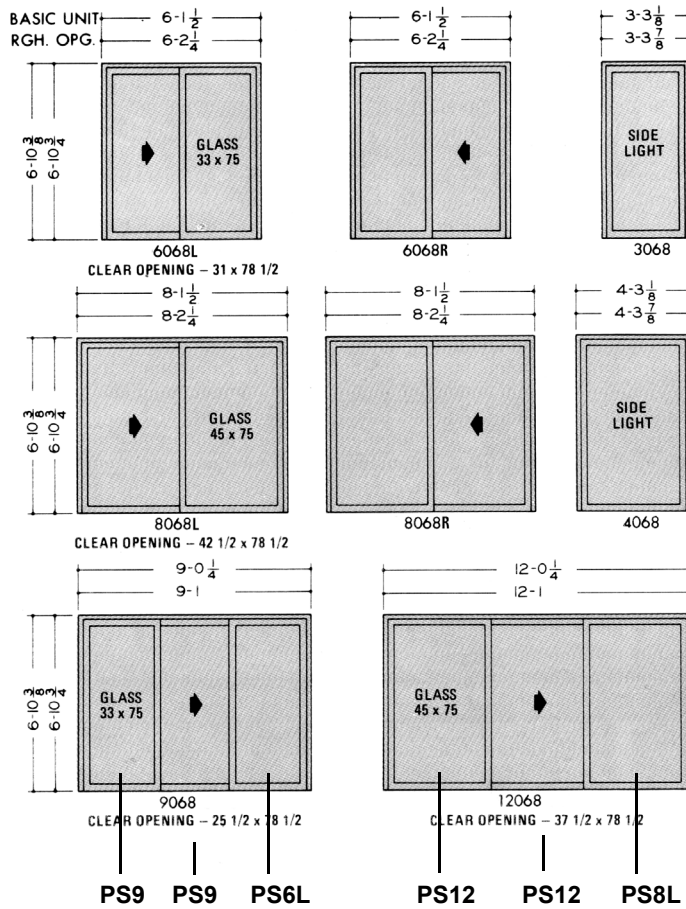
2-Panel, 3-Panel, and Sidelights

## Unit Sizes

### Unit Size Chart

**Note:**

Unit Dim. refers to overall outside-to-outside frame. Rgh. Opg. refers to rough stud opening.



### 3-Panel Ordering Sizes

### Perma-Shield® Gliding Door (PSI) Basic Unit Sizes

Unit viewed from exterior.

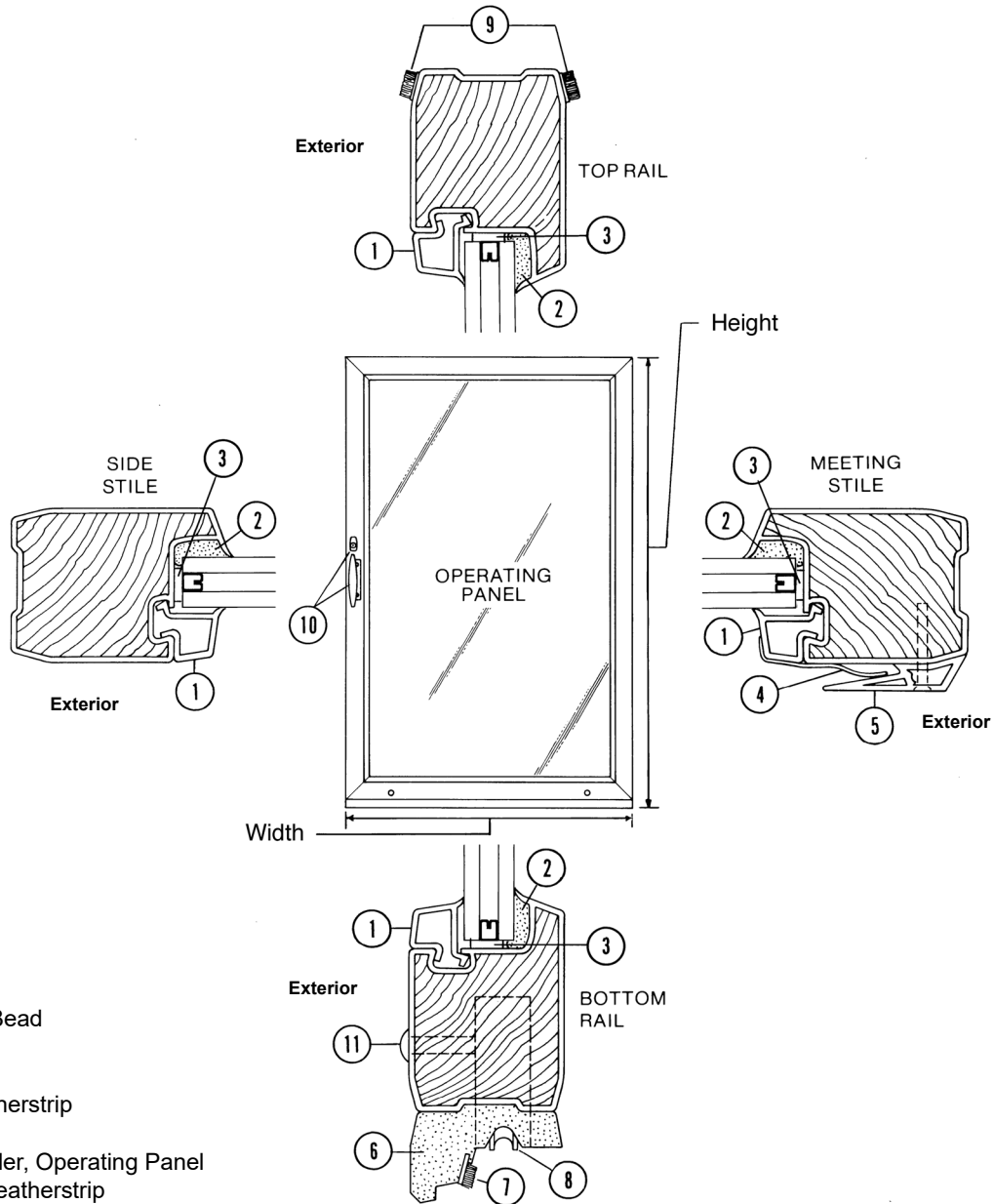
## Product History

---

### Milestones

- 1978** Perma-Shield Gliding Door (PSI) Gliding Door discontinued.
- 1968** Perma-Shield Gliding Door (PSI) introduced.

Operating Panel Graphic / 2-Panel



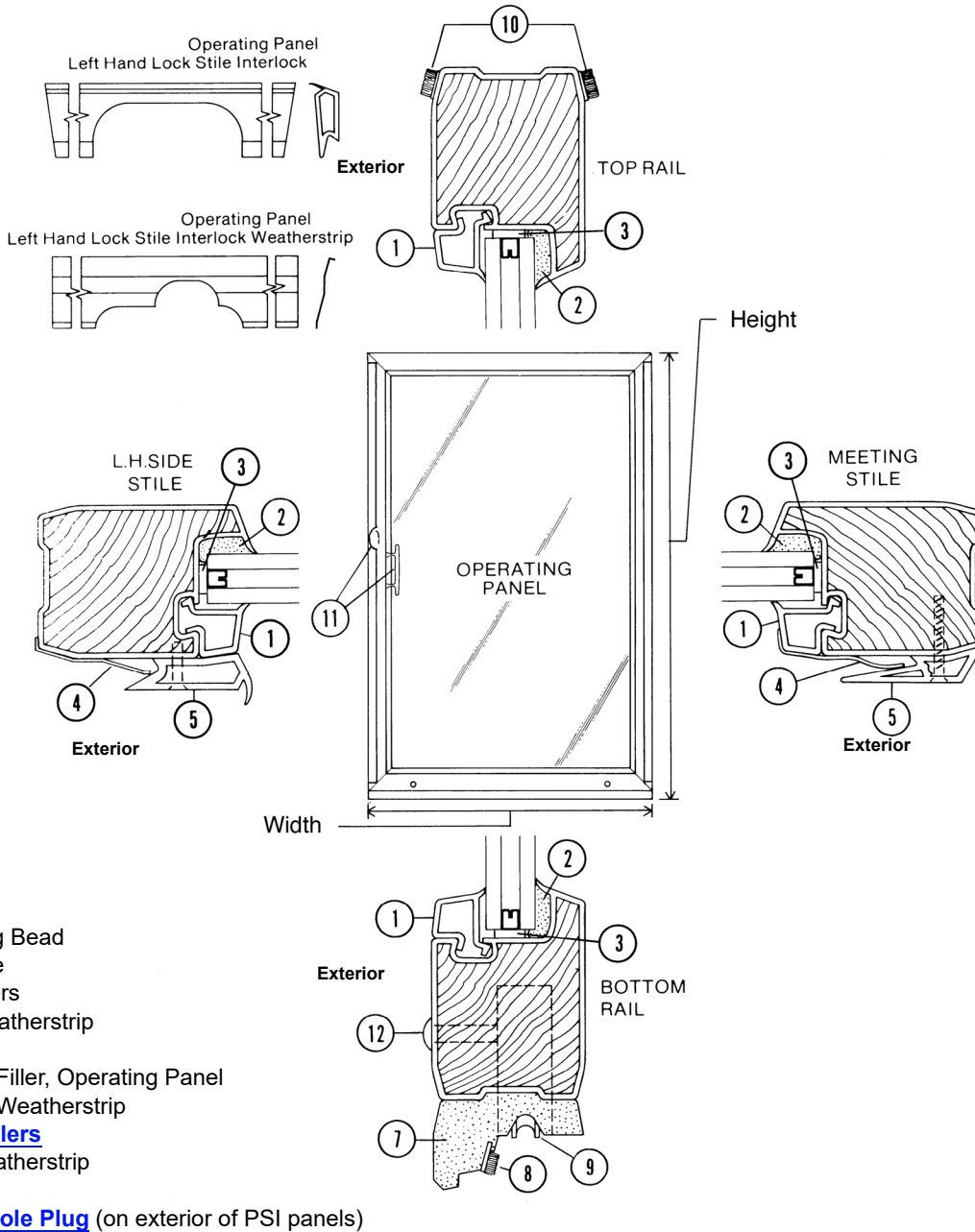
1. Vinyl Glazing Bead
2. Glazing Tape
3. Glass Spacers
4. Interlock Weatherstrip
5. Interlock
6. Bottom Rail Filler, Operating Panel
7. Bottom Rail Weatherstrip
8. [Tandem Rollers](#)
9. Top Rail Weatherstrip
10. [Hardware](#)
11. [Adjusting Hole Plug](#) (on exterior of PSI panels)

Perma-Shield® Gliding Door (PSI) Operating Panel - 2-Panel - Left Hand Shown

Unit viewed from exterior.

**Panels - Operating**

**Operating Panel Graphic / 3-Panel**



**Perma-Shield® Gliding Door (PSI) Operating Panel - 3-Panel**

*Unit viewed from exterior.*



# Perma-Shield® Gliding Doors (PSI 1968 to 1978)

2-Panel, 3-Panel, and Sidelights

## Panels - Operating

### Operating Panel Size Table

**Note:**

Operating Panel is measured outside edge to outside edge of frame.

Unobstructed Glass is dimension from outside edge to outside edge of visible glass only.

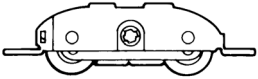
Actual Glass is dimension of outside edge to outside edge of glass, including glass that is not visible.

Replacement panels no longer available as of July 2008.

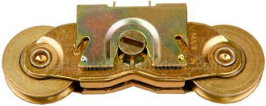
Unit No.	Operating Panel (w x h)	Unobstructed Glass (w x h)
PS6	37 1/8 x 79 9/16	31 7/8 x 73 7/8
PS8	49 1/8 x 79 9/16	43 7/8 x 73 7/8
PS9	37 1/8 x 79 9/16	31 7/8 x 73 7/8
PS12	49 1/8 x 79 9/16	43 7/8 x 73 7/8

### Panel Parts - Operating


#### Tandem Roller with Bracket and Screws - Operating Ref. No. 8 [page 7](#) and Ref. No. 9 [page 8](#)

	<p><b>Note:</b> Replace with tandem roller.</p>	<b>Order No.</b>
		N/A

#### Tandem Roller - Operating (1982)

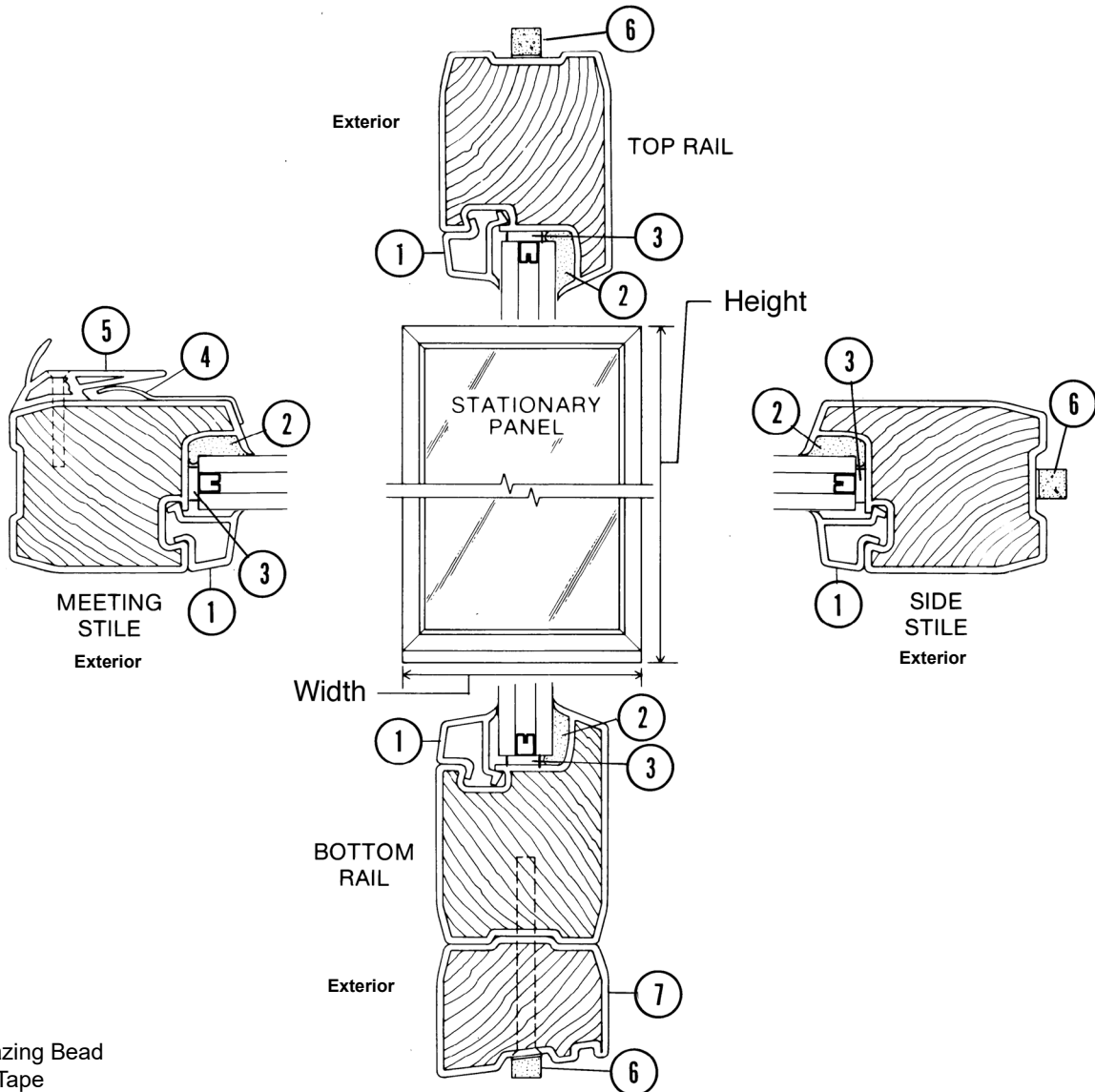
	<p><b>Note:</b> Replaces older vintage rollers.</p>	<b>Order No.</b>
		1997061

#### Hole Plug - Operating / Roller Adjustment Ref. No. 11 [page 7](#) and Ref. No. 12 [page 8](#)

		<b>Order No.</b>
		1273304

**Panels - Stationary**

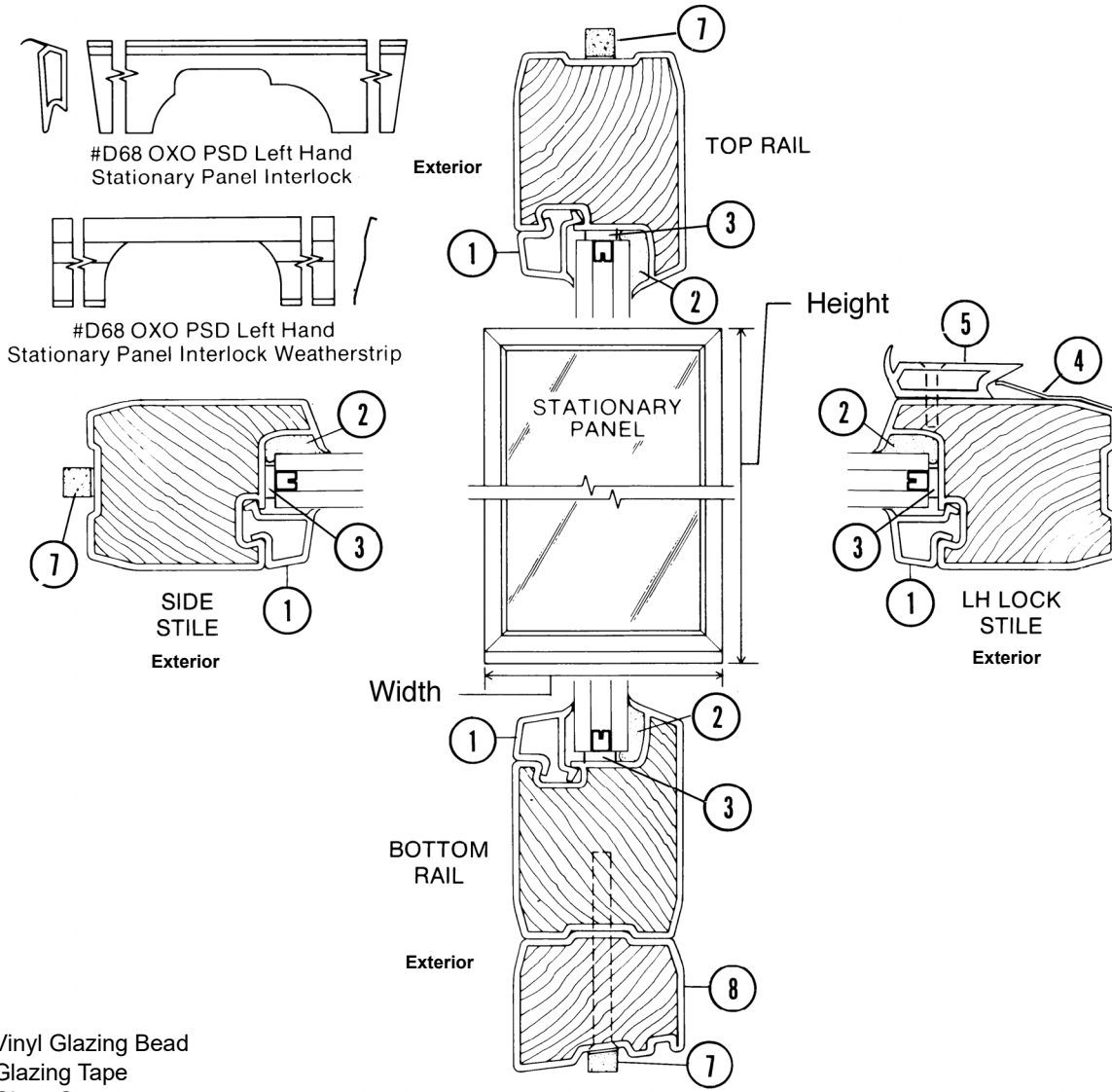
**Stationary Panel Graphic / 2-Panel**



- 1. Vinyl Glazing Bead
- 2. Glazing Tape
- 3. Glass Spacer
- 4. Interlock Weatherstrip
- 5. Interlock
- 6. [Foam Weatherstrip](#)
- 7. Bottom Rail Filler, Stationary Panel

**Perma-Shield® Gliding Door (PSI) Stationary Panel - 2-Panel - Left Hand Shown**

Stationary Panel Graphic / 3-Panel



1. Vinyl Glazing Bead
2. Glazing Tape
3. Glass Spacer
4. Interlock Weatherstrip
5. Interlock
7. [Foam Weatherstrip](#)
8. Bottom Rail Filler, Stationary Panel

Perma-Shield® Gliding Door (PSI) Stationary Panel - 3-Panel (PS9/PS12)

## Panels - Stationary

### Stationary Panel Size Table

**Note:**

Stationary Panel is measured outside edge to outside edge of frame.

Unobstructed Glass is dimension from outside edge to outside edge of visible glass only.

Actual Glass is dimension of outside edge to outside edge of glass, including glass that is not visible.

Replacement panels no longer available as of July 2008.

Unit No.	Stationary Panel (w x h)	Unobstructed Glass (w x h)
PS3	37 1/8 x 80 5/8	31 7/8 x 73 7/8
PS4	49 1/8 x 80 5/8	43 7/8 x 73 7/8
PS6	37 1/8 x 80 5/8	31 7/8 x 73 7/8
PS8	49 1/8 x 80 5/8	43 7/8 x 73 7/8
PS9	37 1/8 x 80 5/8	31 7/8 x 73 7/8
PS12	49 1/8 x 80 5/8	43 7/8 x 73 7/8

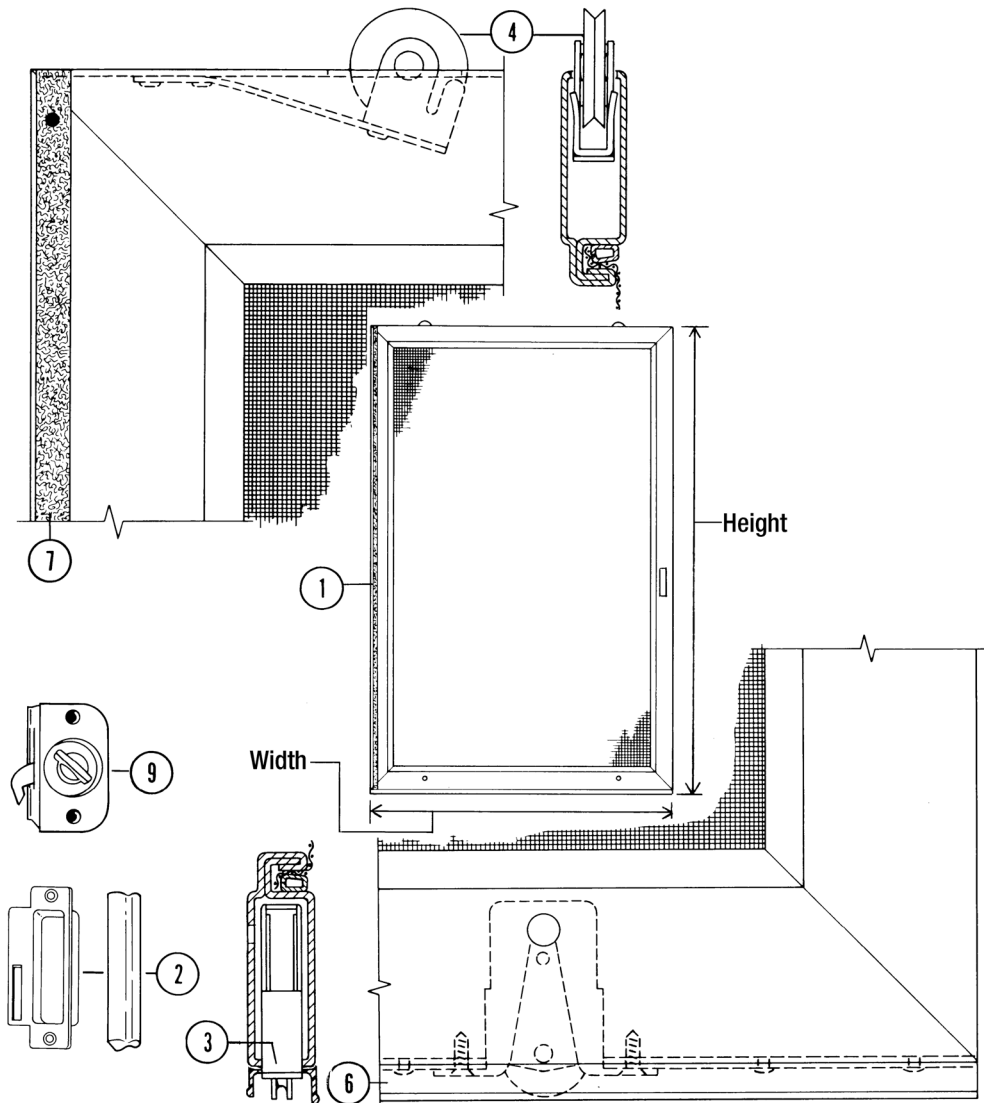
### Panel Parts - Stationary

**Weatherstrip - Stationary / 5/16" / Foam** Ref. No. 6 [page 10](#) and Ref. No. 7 [page 11](#)

	<b>Note:</b> 50 ft. roll.	<b>Order No.</b>
		2962024

Insect Screens

Insect Screen Graphic - 2-Panel

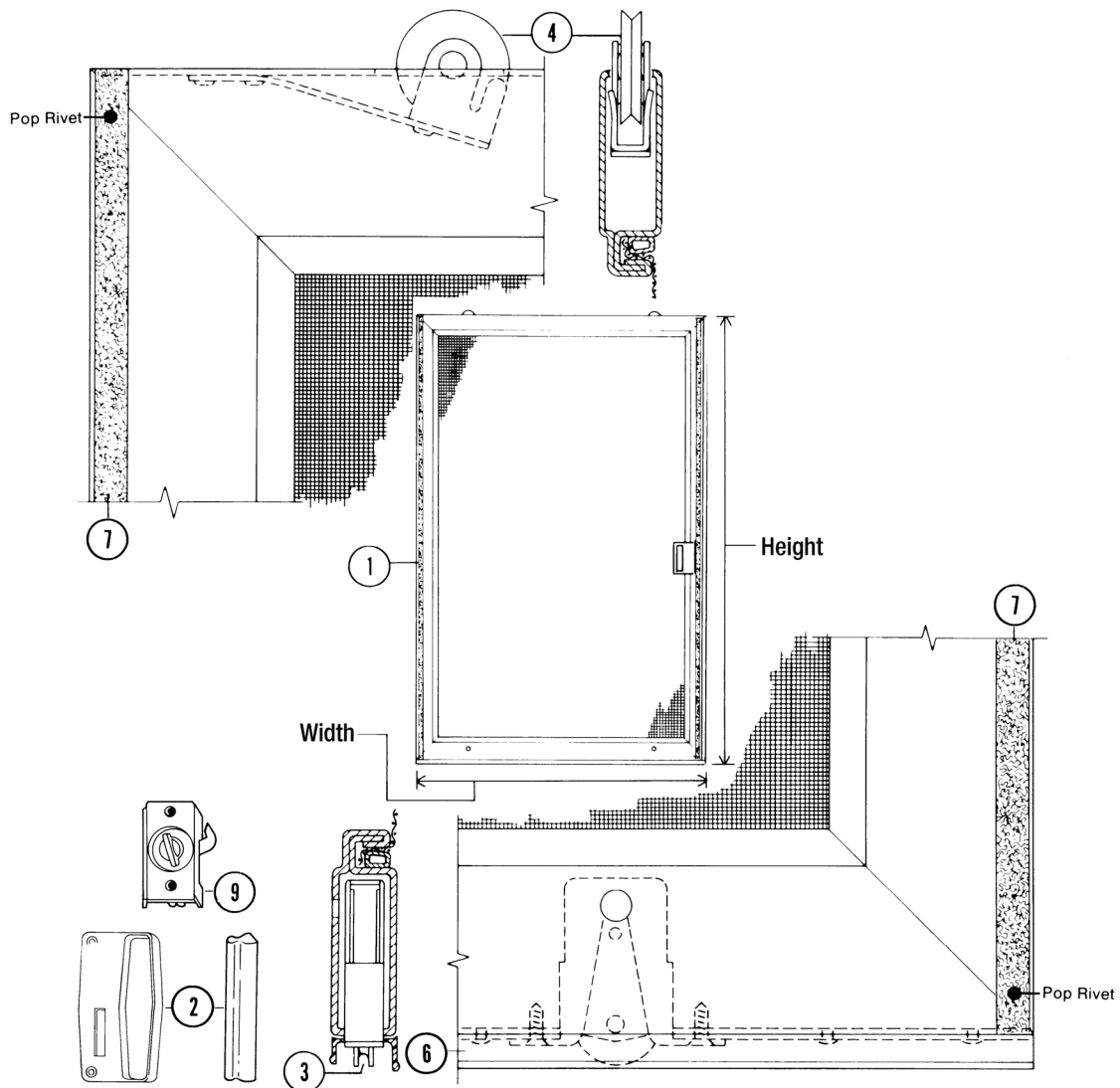


- 1. [Insect Screen](#)
- 2. [Handles](#)
- 3. [Bottom Roller](#)
- 4. [Top Roller](#)
- 6. [Bottom Insect Screen Channel](#)
- 7. [Bug Seal Pile Weatherstrip](#)
- 9. Insect Screen Door Latch

Perma-Shield® Gliding Door (PSI) Insect Screen - 2-Panel

## Insect Screens

### Insect Screen Graphic - 3-Panel



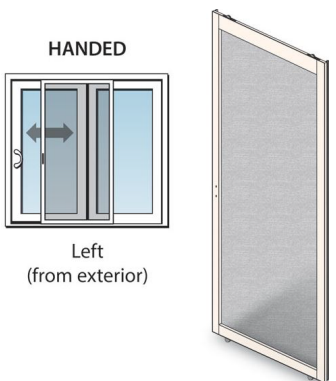
1. [Insect Screen](#)
2. [Handles](#)
3. [Bottom Roller](#)
4. [Top Roller](#)
6. [Bottom Insect Screen Channel](#)
7. [Bug Seal Pile Weatherstrip](#)
9. [Insect Screen Door Latch](#)

**Perma-Shield® Gliding Door (PSI) Insect Screen - 3-Panel**


# Perma-Shield® Gliding Doors (PSI 1968 to 1978)

2-Panel, 3-Panel, and Sidelights

## Insect Screens

Insect Screens Ref. No. 1 <a href="#">page 13</a> and <a href="#">page 14</a>				
<p><b>Note:</b> Replacement may not exactly match screen being replaced.</p>				
 <p>HANDED</p> <p>Left (from exterior)</p>	<b>Unit No.</b>	<b>Dimension</b>	<b>White</b>	
			<b>Left</b>	<b>Right</b>
	<b>PS6</b>	36 <sup>7</sup> / <sub>8</sub> × 80 <sup>1</sup> / <sub>2</sub>	1208130	1208134
	<b>PS8</b>	48 <sup>7</sup> / <sub>8</sub> × 80 <sup>1</sup> / <sub>2</sub>	1208138	1208142
	<b>PS9</b>	36 <sup>1</sup> / <sub>16</sub> × 80 <sup>1</sup> / <sub>2</sub>	1208145	
<b>PS12</b>	48 <sup>1</sup> / <sub>16</sub> × 80 <sup>1</sup> / <sub>2</sub>	1208152		

Channels		
Channel - Insect Screen / Bottom / Aluminum Ref. No. 6 <a href="#">page 13</a> and <a href="#">page 14</a>		
	<b>Unit No.</b>	<b>Order No.</b>
	<b>PS6</b>	1276004
	<b>PS8</b>	1276006
	<b>PS9</b>	1276008
	<b>PS12</b>	1276010

Rescreening Kit		
Rescreening Kit		
	<b>Kit includes:</b> Polyethylene splines Fiberglass insect screen cloth 1-wood spacer bar 1-spline roller	<b>Unit No.</b>
		<b>All Doors</b>

## Insect Screens





Insect Screen Hardware			
<b>Door Handle with Screw Package - Insect Screen / 2-Panel</b> Ref. No. 2 <a href="#">page 13</a>			
			<b>Order No.</b>
			1274406
<b>Door Handle with Screw Package - Insect Screen / 3-Panel</b> Ref. No. 2 <a href="#">page 14</a>			
			<b>Order No.</b>
			1274408
<b>Roller - Insect Screen / Upper</b> Ref. No. 4 <a href="#">page 13</a> and <a href="#">page 14</a>			
	<b>Note:</b> This roller is held in place with rivets. The rivets are not included. Need two (2) per insect screen. Items in red have been discontinued.	<b>Order No.</b>	<b>Replacement</b>
		1274004	N/A
<b>Pop Rivet - Screen Roller / Insect Screen / Upper</b>			
	<b>Description</b>	<b>Order No.</b>	
	<b>Note:</b> Need two (2) per roller. 1/8" dia x 7/32"	2579482	
<b>Roller - Insect Screen / Lower</b> Ref. No. 3 <a href="#">page 13</a> and <a href="#">page 14</a>			
	<b>Note:</b> Need two (2) per insect screen.	<b>Order No.</b>	
		1274104	
<b>Screw - Lower Roller/ Gliding Insect Screen</b>			
	<b>Description</b>	<b>Order No.</b>	
	<b>Note:</b> Need two (2) per roller	3620400	
<b>Weatherstrip - Insect Screen / Bug Seal / Pile</b> Ref. No. 7 <a href="#">page 13</a> and <a href="#">page 14</a>			
	<b>Note:</b> Order by the foot.	<b>Order No.</b>	
		2962038	




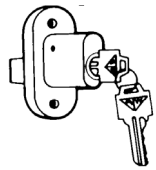
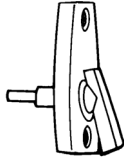
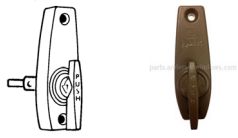
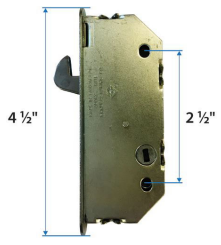
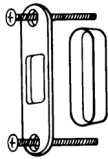
# Perma-Shield® Gliding Doors (PSI 1968 to 1978)

2-Panel, 3-Panel, and Sidelights

## Hardware

<b>Handles</b>				
<b>Note:</b> Part numbers in red have been discontinued. May require modifications to frame and/or panel.				
<b>Handle - Outside / 2-Panel</b>				
		<b>Finish</b>		<b>Order No.</b>
		Stone		1997202
<b>Handle - Outside / 3-Panel</b>				
		<b>Finish</b>		<b>Order No.</b>
		Stone		1278010
		Silver Satin		N/A
<b>Handle - Inside / 2 and 3-Panel</b>				
		<b>Finish</b>		<b>Order No.</b>
		Stone		1997201
		Silver Satin		N/A
<b>Bolt - Handle</b>				
		<b>Finish</b>		<b>Order No.</b>
		Stone		1


## Hardware

Locks and Lock Parts			
Exterior Lock with Keys - 6-Pin / 3-Panel			
	<b>Note:</b> Stone is not available. Use white as replacement.	Finish	Order No.
		Stone	N/A
		White	1973052
Lock Housing with Keys / 3-Panel (1966 to Present)			
			<b>Silver Satin</b> 1924004
Thumb Latch - 2-Panel			
	<b>Note:</b> Rosegold latches have two screws above the thumb latch and are no longer available.	Finish	Order No.
		Stone	1278303
		Silver Satin	N/A
Thumb Latch - 3-Panel			
	<b>Note:</b> Rosegold latches have two screws above the thumb latch and are no longer available.	Finish	Order No.
		Stone	1997161
		Silver Satin	N/A
Deadlock - Universal / Old Style (Pre-Reachout 1968 to 1993 Gliding Door Products)			
 <p>4 1/2"      2 1/2"</p>			<b>Order No.</b> 1997156
Lock Strike with Liner - Old Style / 2-Panel (Pre-Reachout 1968 to 1993 Gliding Door Products)			
			<b>Order No.</b> 1997155

# Perma-Shield® Gliding Doors (PSI 1968 to 1978)

2-Panel, 3-Panel, and Sidelights

## Hardware

Bracket - Stationary / Top					
	<b>Note:</b> Use stone bracket to replace all brackets. See <a href="#">Service Guide 0005399</a> .	Stone		Silver Satin	
		Left	Right	Left	Right
		2573551		N/A	

## Hardware

<b>Fasteners</b>			
<b>Note:</b>			
When ordering fasteners with nine digit 888 numbers (beginning with 888 or 889), provide the following details and order by description:			
Product line (example: PS1)			
Complete size (example: 2-1/2" x #10 F.H.)			
Description and color (example: Steel Clear Chromate)			
What it is used for? (example: Frame Assembly)			
Reference the 888 number: 888302401			
<b>Screw - Frame Assembly</b>			
	Description	Clear Chromate	
	2 1/2" x #10 F.H., Steel	888302401	
<b>Screw - Stationary / Bottom Rail Filler / Lock Strike</b>			
	Description	Aluminum	
	2 1/4" x #8 F.H., Aluminum	888302402	
<b>Screw - Inside Head Stop, Bumper, Security Screws, and Interlocks</b>			
	Description	White	
	1 1/2" x #8 F.H., Steel	888302403	
<b>Screw - Head Bracket and Sill Bracket</b>			
	Description	Stone	
	1" x #8 F.H., Steel (to panel)	888302404	
<b>Screw - Sill Bracket</b>			
	Description	Stone	
	3/4" x #8 F.H., Steel (to sill)	888302405	
<b>Screw - Lock Strike</b>			
	Description	Stone	
	13/16" x #8-32-Mach. F.H., Steel	888302406	
<b>Screw - Insect Screen / Handle / 3-Panel</b>			
	Description	White	
	1" x #10-20-Mach. F.H., Steel	N/A	
<b>Screw - Handle / Lock Assembly</b>			
	Description	Color	Order No.
	2 3/32" x #10-32 Mach. O.H., Steel	White	1997295
<b>Screw - Handle / Lock Assembly (Pair)</b>			
	Description	Color	Order No.
	2 3/32" x #10-32 Mach. O.H., Steel	Stone	1275210
	<b>Note:</b> Order No. 1275210 replaces 2573646.		
<b>Screw - Operating / Bottom Rail Filler / Tandem Rollers</b>			
	Description	Brass	
	1 3/8" x #8 F.H., Steel	888302409	

# Perma-Shield® Gliding Doors (PSI 1968 to 1978)

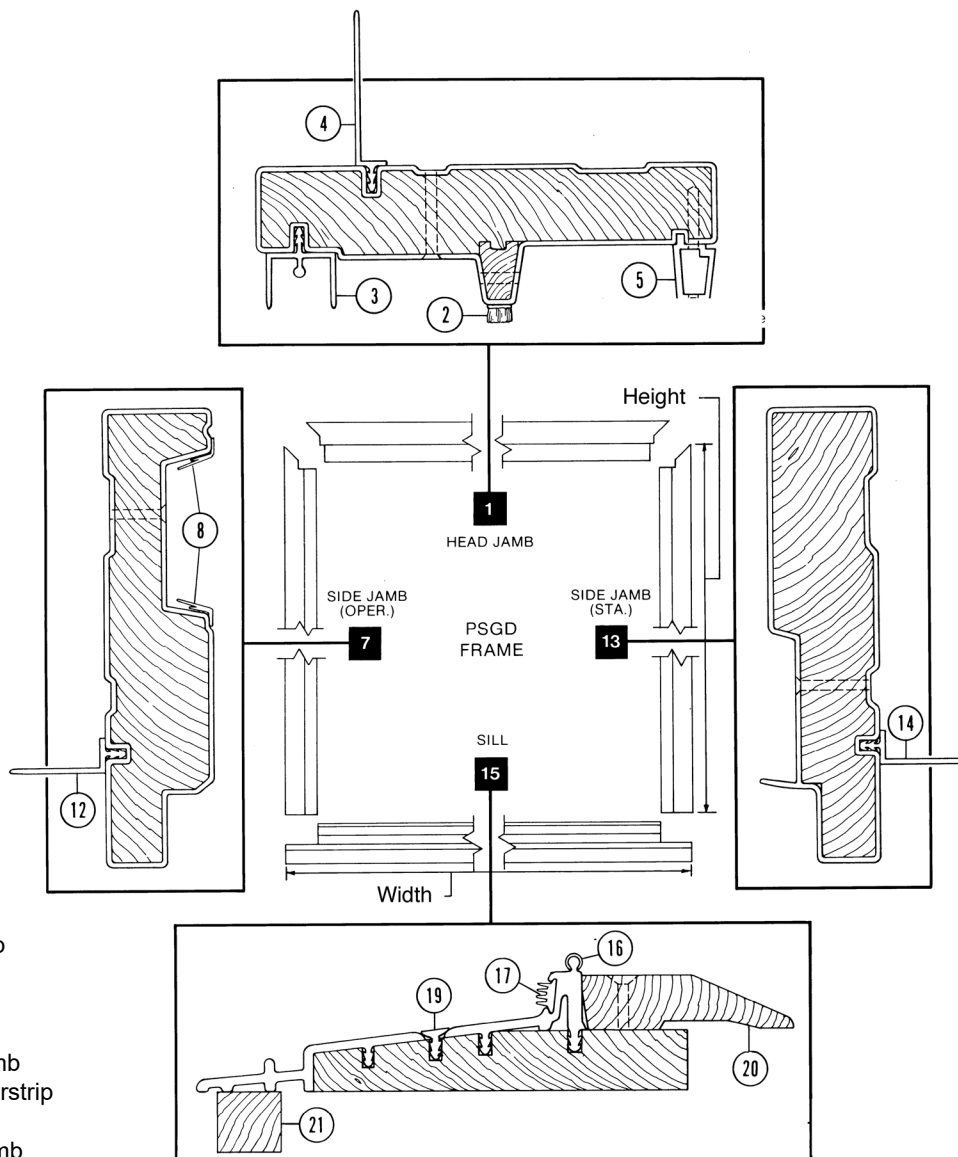
*2-Panel, 3-Panel, and Sidelights*

## Hardware

<b>Screw - Insect Screen / Latch</b>		
	Description	Stone
	1 1/4" x #8 O.H., Steel	888302410
<b>Screw - Oak Threshold</b>		
	Description	Bronze
	1 1/4" x #8 F.H., Bronze	888302411
<b>Pop Rivet - Insect Screen / Bottom Channel, and Bug Seal</b>		
	Description	Aluminum
	1/8" dia. x 5/16", Aluminum	888302412
<b>Screw - Handle / Pull-to-Base Plate (Old Style)</b>		
	Description	Clear Chromate
	1/2" x #8-32 Mach. F.H., Steel	888302413
<b>Screw - Lock Cylinder / Lock Housing</b>		
	Description	Brass
	5/16" x #8-32 Mach. Washer - 5/8" dia x 3/16" dia hole O.H., Steel	888302414
<b>Screw - Lock / 3-Panel</b>		
	Description	Stone
	1 1/4" x #7 P.H. O.H., Steel	N/A
<b>Screw - Inside Turn Latch / 3-Panel</b>		
	Description	Stone
	5/8" x #8 P.H. O.H., Steel	N/A
<b>Screw - Bumper / Sill Screw / 3-Panel</b>		
	Description	White
	1" x #8 P.H. F.H., Steel	N/A
<b>Screw - Lock Adjuster / 3-Panel</b>		
	Description	Stone
	5/16" x #8-32 Mach. F.H., Steel	N/A

## Frames

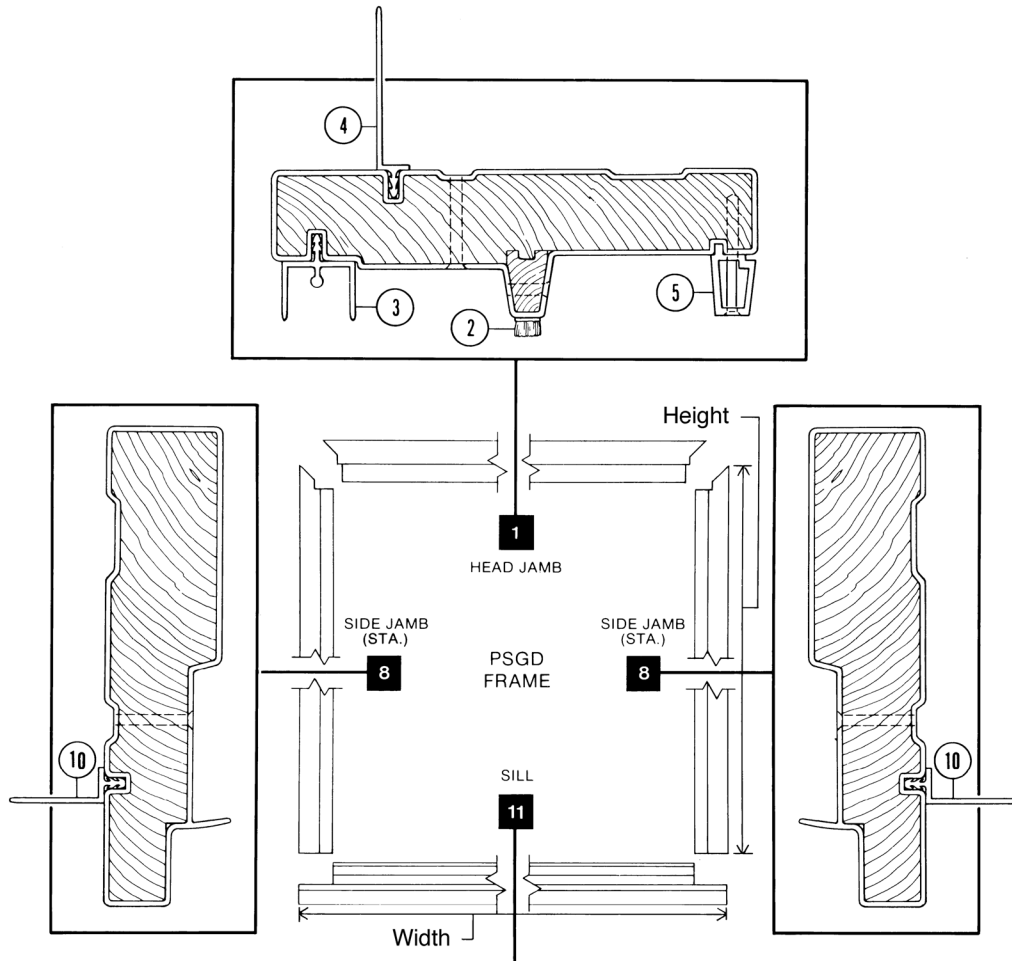
### Frame Graphic - 2-Panel



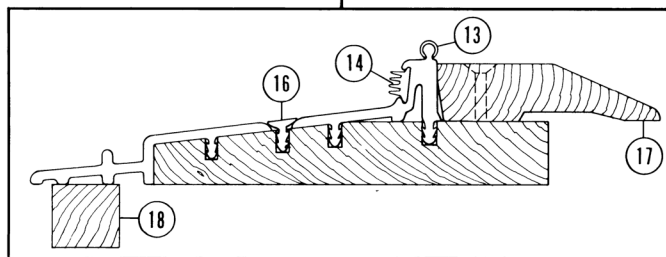
1. Head Jamb
2. 2" Pile Weatherstrip
3. Screen Channel
4. [Head Flange](#)
5. Inside Stop, Head
7. Operating Side Jamb
8. Lock Jamb Weatherstrip
12. [Side Flange](#)
13. Stationary Side Jamb
14. [Side Flange](#)
15. Complete Sill
16. [Sill Cap](#)
17. Sill Seal
19. Sill Thermal Barrier
20. [Oak Threshold](#)
21. [Sill Support](#)

**Perma-Shield® Gliding Door (PSI) Frame Assembly - 2-Panel**

Frame Graphic - 3-Panel



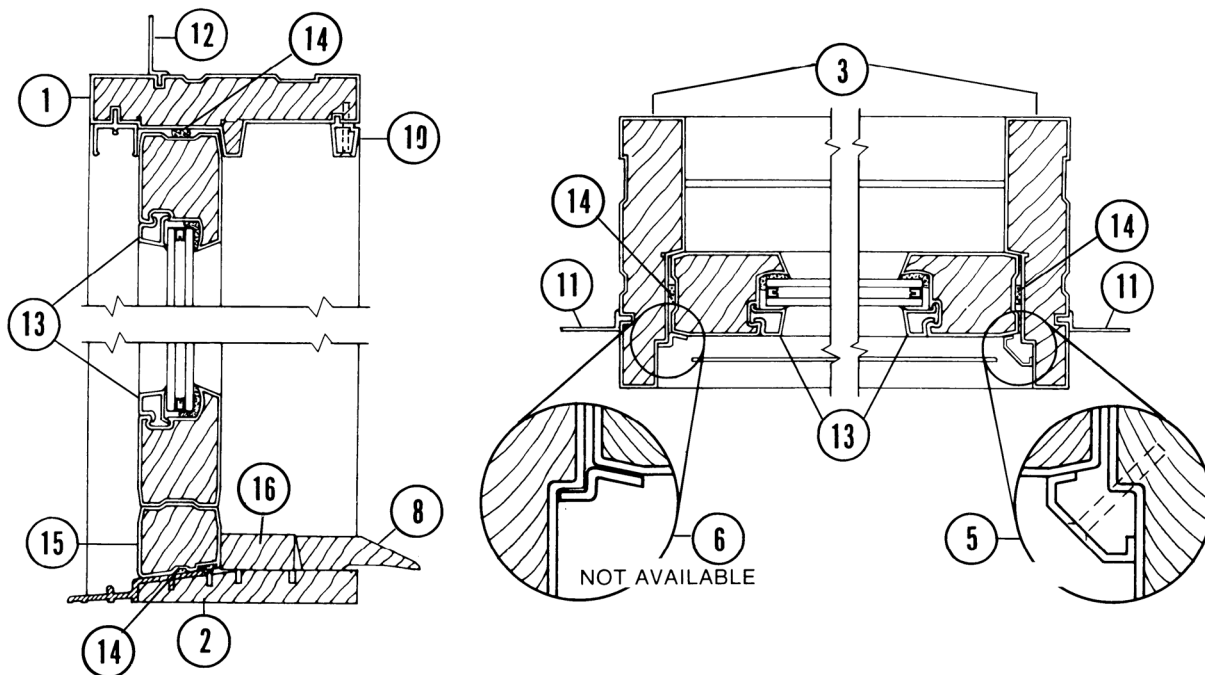
1. Head Jamb
2. 2" Pile Weatherstrip
3. Insect Screen Channel
4. [Head Flange](#)
5. Inside Stop, Head
8. Side Jamb
10. [Side Flange](#)
11. Complete Sill
13. [Sill Cap](#)
14. Sill Seal
16. [Sill Thermal Barrier](#)
17. [Oak Threshold](#)
18. [Sill Support](#)



Perma-Shield® Gliding Door (PSI) Frame Assembly - 3-Panel (LH Shown)

## Frames

### Frame Graphic - Sidelight



- |                                  |   |
|----------------------------------|---|
| 1. Head Jamb                     | 11. <a href="#">Side Flange</a>         |
| 2. Sill                          | 12. <a href="#">Head Flange</a>         |
| 3. Side Jambs                    | 13. <a href="#">Vinyl Glazing Beads</a> |
| 5. Trim Strip, 1977 Style (N/A)  | 14. <a href="#">Foam Weatherstrip</a>   |
| 6. Trim Strip, Old Style (N/A)   | 15. <a href="#">Bottom Rail Filler</a>  |
| 8. <a href="#">Oak Threshold</a> | 16. <a href="#">Sill Filler Piece</a>   |
| 10. Inside Stop, Head            |   |

**Perma-Shield® Gliding Door (PSI) Frame Assembly - Sidelight**

### Stops

#### Stop - Outside / Side / Sidelight

	<b>Note:</b> New design is used to replace all vintages of sidelight stops.	<b>Unit No.</b>	<b>Order No.</b>
		PS68	2565661
		PS611	2565662



# Perma-Shield® Gliding Doors (PSI 1968 to 1978)

2-Panel, 3-Panel, and Sidelights

## Frames

### Insect Screen Guides

**Note:**

Current Perma-Shield® Gliding Doors (1982 to Present) insect screen guide can be used as a replacement, see [page 29](#). It will be slightly shorter in length.

#### Screen Guide - Head / 2-Panel

	Unit No.	Dimensions	Order No.
	PS6	72 <sup>1</sup> / <sub>32</sub>	N/A
	PS8	96 <sup>1</sup> / <sub>32</sub>	N/A

#### Screen Guide - Head / 3-Panel

	Unit No.	Dimensions	Order No.
	PS9	106 <sup>5</sup> / <sub>8</sub>	N/A
	PS12	142 <sup>5</sup> / <sub>8</sub>	N/A

#### Screen Guide - Head / Sidelight

	Unit No.	Dimensions	Order No.
	PS3	35 <sup>11</sup> / <sub>16</sub>	N/A
	PS4	47 <sup>11</sup> / <sub>16</sub>	N/A

### Flanges

**Note:**

1978-1981 vintage flange may be modified to use as replacement for items N/A.

#### Flange - Head / 2-Panel Ref. No. 4 [page 22](#)

	Unit No.	Dimensions	Order No.
	PS6	76 <sup>5</sup> / <sub>32</sub>	N/A
	PS8	100 <sup>5</sup> / <sub>32</sub>	N/A

#### Flange - Head / 3-Panel Ref. No. 4 [page 23](#)

	Unit No.	Dimensions	Order No.
	PS9	110 <sup>25</sup> / <sub>32</sub>	N/A
	PS12	146 <sup>25</sup> / <sub>32</sub>	N/A

#### Flange- Head / Sidelight Ref. No. 12 [page 24](#)

	Unit No.	Dimensions	Order No.
	PS3	41 <sup>3</sup> / <sub>4</sub>	N/A
	PS4	53 <sup>3</sup> / <sub>4</sub>	N/A

#### Flange - Side / All Units (Pair) Ref. No. 12 [page 22](#), Ref. No. 10 [page 23](#), and Ref. No. 11 [page 24](#)

	Unit No.	Dimensions	Order No.
	PS611	82 <sup>7</sup> / <sub>8</sub>	2427016

### Sills

#### Sill Track Cap Ref. No. 16 [page 22](#), and Ref. No. 13 [page 23](#)

	Unit No.	Order No.
	PS6	1997021
	PS8	1997022
	PS9	1997023
	PS12	1997024

## Frames

### Oak Thresholds

Oak Threshold Ref. No. 20 [page 22](#), Ref. No. 17 [page 23](#), and Ref. No. 8 [page 24](#)

	Unit No.	Order No.
	PS3	1207010
	PS4	1207020
	PS6	1207030
	PS8	1207040
	PS9	1207045
	PS12	1207050

### Sill Supports

Sill Support Ref. No. 21 [page 22](#) and Ref. No. 18 [page 23](#)

	Unit No.	Order No.
	PS6	1997057
	PS8	1997058
	PS9	1997059
	PS12	1997060

### Frame Parts and Hardware

#### Weatherstrip - Lock Jamb / Inside

**Note:**

Weatherstrip is secured to jamb with vinyl-to-vinyl adhesive. See [Miscellaneous Materials & Parts](#) section.

**Order No.**

1925004

#### Weatherstrip - Lock Jamb / Outside

**Note:**

Weatherstrip is secured to jamb with vinyl-to-vinyl adhesive. See [Miscellaneous Materials & Parts](#) section.

**Order No.**

1925006

#### Lock Face Plate

**Order No.**

1273904

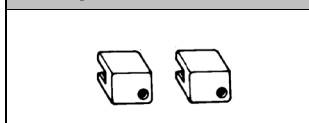
#### Bumper with Screws - Door / Head / 2- and 3-Panel



**Order No.**

1997083

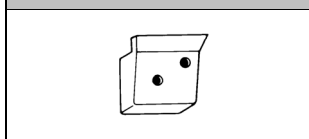
#### Bumper - Screen / Head and Sill / 3-Panel



**Order No.**

1997204

#### Bumper - Head / 3-Panel



**Order No.**

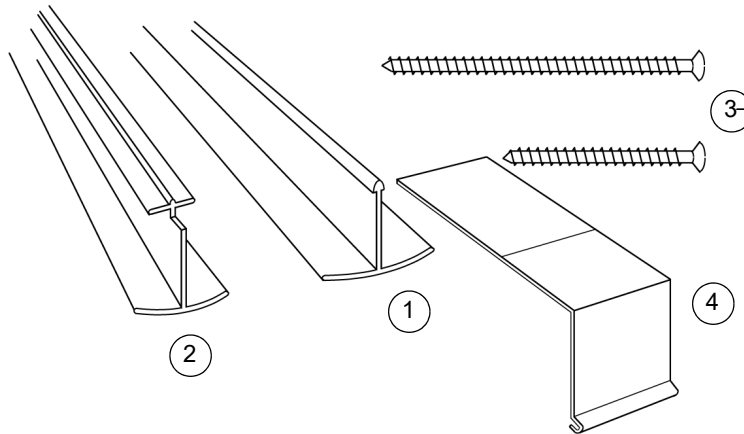
1997084

# Perma-Shield® Gliding Doors (PSI 1968 to 1978)

2-Panel, 3-Panel, and Sidelights

## Joining Components

### Narrow Mullion



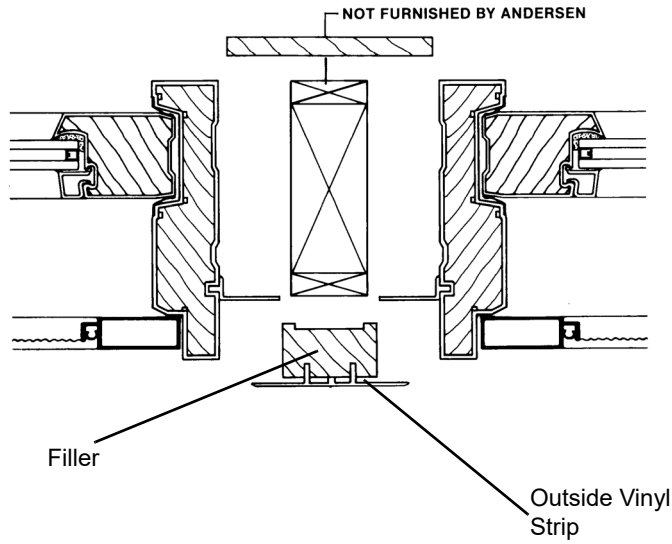
1. Interior Trim Strip
2. Outside Vinyl Trim Strip
3. Screws
4. Head Flashing

Perma-Shield® Gliding Door (PSI) Narrow Mullion

Outside Vinyl Trim Strip Ref. No. 2			
	Unit No.	Dimensions	White
	PS68	78 <sup>7</sup> / <sub>32</sub>	1970927
	PS611	81 <sup>3</sup> / <sub>32</sub>	1970928
	PS80	94 <sup>7</sup> / <sub>32</sub>	2510220
Interior Trim Ref. No. 1			
	Unit No.	Dimensions	White
	68	78 <sup>7</sup> / <sub>32</sub>	1970925
	611	81 <sup>3</sup> / <sub>32</sub>	1970926
	80	94 <sup>7</sup> / <sub>32</sub>	1970932
Head Flashing Ref. No. 4			
	Unit No.	Dimensions	White
	All Units	2 <sup>1</sup> / <sub>2</sub>	1997264

## Joining Components

### Support Mullion



**Perma-Shield® Gliding Door (PSI) Support Mullion**

### Support Mullion

	<b>Set includes:</b> Outside vinyl trim strip - 82 5/16" Filler Flashing	<b>Unit No.</b>	<b>Order No.</b>
		<b>PS611</b>	1916512

Service Replacement


**Service Replacement Only Parts**

**Gliding Insect Screen Guide - Aluminum / Pre-Drilled**

**Insect Screen Guide - Sidelight / Predrilled / Aluminum**

**Note:**

Parts marked with an asterisk (\*) are available in vinyl only.

		<b>Unit No.</b>	<b>Fasteners/ Screw Used</b>	<b>Length</b>	<b>White</b>
		<b>PS3</b>	5	36 1/2	1997205*
		<b>PS4</b>	6	48 1/2	1997206*
		<b>PS6</b>	9	69 1/2	2562327
		<b>PS8</b>	12	93 1/2	2562328
		<b>PS9</b>	13	103 1/16	2562329
		<b>PS12</b>	17	139 1/16	2562330

**Screw - Insect Screen Guide**

	<b>Color</b>	<b>Order No.</b>
	White	2500702

## Notes

---