

What's in This Section

Single, 2-Panel and Stationary	Page 3
Parts Illustration	3
Parts Illustration - Interior View	3
Parts Illustration - Exterior View	4
Parts Illustration - Single Panel	5
Parts Illustration - 2-Panel / Active/Passive	6
Parts Illustration - 2-Panel CPS	7
Parts Illustration - 2-Panel Commercial	8
Parts Illustration - 2-Panel Stationary	9
Colors - Exterior	10
Colors/Species/Finishes - Interior	11
Unit Sizes	12
Standard and Custom Door Sizes	12
E-Series Product Label	12
Unit Size Chart - Traditional 1-Panel (SP1)	13
Unit Size Chart - Traditional 2-Panel (SP1)	14
Panels - Active	15
Active Panel Graphic	15
Active Panel Graphic - CPS	16
Active Panel Graphic - Commercial	17
Active Panel Size Table	18
Active Panels	19
Panels - Passive	20
Passive Panel Graphic	20
Passive Panel Graphic - Commercial	21
Passive Panel Size Table	22
Passive Panels	23
Panel Astragal	24
Astragal Parts	25
Panels - Stationary / Sidelight	27
Stationary / Sidelight Panel Graphic	27
Stationary / Sidelight Panel Size Table	28
Stationary / Sidelight Panels	29
Shared Panel Parts	30
Glass Stops	30
Weatherstrip	30
Receiver Strip	31
Panel Cap	31

Glass	32
Glass	32
Insect Screens	33
Insect Screen Graphic - Concealed (Retractable)	33
Grilles	34
Grille Options	34
Hardware	35
Andersen® Half Trim Set Kits - Interior	35
Andersen® Half Trim Set Kits - Exterior	36
Construction Trim Set	37
Andersen® Hardware - Tribeca®	38
Andersen® Hardware - Anvers®	43
Andersen® Hardware - Albany	46
Andersen® Hardware - Newbury®	49
Andersen® Hardware - Covington™	53
Andersen® Hardware - Whitmore®	56
Andersen® Hardware - Encino®	60
Andersen® Hardware - Yuma®	63
Designer Hardware FSB®	66
Designer Hardware - Baldwin®	72
Designer Hardware - Ashley Norton	77
Yale® Assure Lock®	81
Hardware - Concealed Panic System	84
Andersen® Shared Trim Set Parts	87
Andersen® Key Lock Parts	90
Lock Mechanism	92
Strikes	94
Latch Bolt Parts	95
Hinge Color Chart	96
Hinge Parts	97
Miscellaneous Hardware Parts	98
Fasteners	99
Frames	100
Frame Assembly Illustration / Single (Active)	100
Frame Assembly Illustration / Single (Stationary)	101
Frame Assembly Illustration / 2-Panel (CPS)	102
Frame Assembly Illustration / 2-Panel (AP)	103
Frame Assembly Illustration / 2-Panel (Stationary)	104
Frames	105
Panel Stops	106
Weatherstrip	107
Sill Parts	108
Frame Parts	109

E-Series Hinged Outswing Doors (March 2018 to Present)

Single, 2-Panel and Stationary

Single, 2-Panel and Stationary

Parts Illustration

Parts Illustration - Interior View



Parts Illustration

Parts Illustration - Exterior View



E-Series Hinged Outswing Doors (March 2018 to Present)

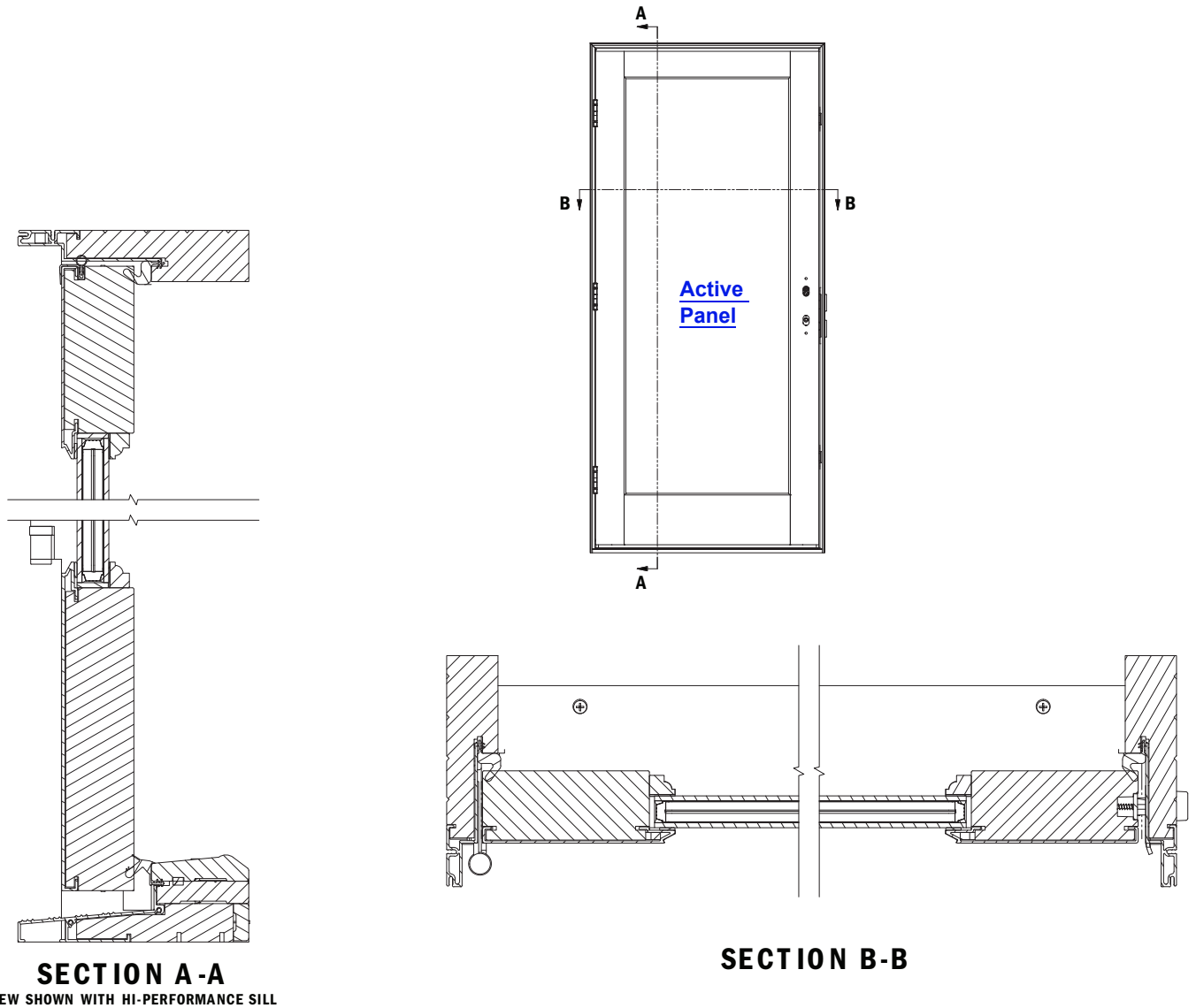
Single, 2-Panel and Stationary

Parts Illustration

Parts Illustration - Single Panel

Note:

Left-hand, right-hand and stationary doors are available.



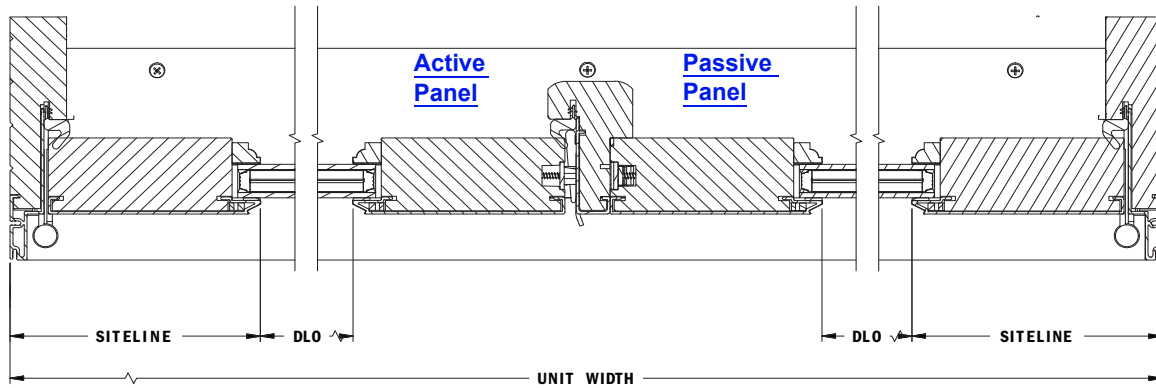
E-Series Hinged Outswing Door Unit Parts - Single Panel

Parts Illustration

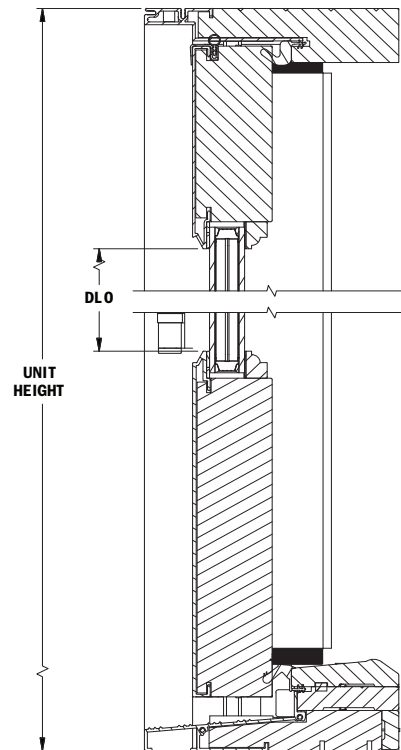
Parts Illustration - 2-Panel / Active/Passive

Note:

AP/PA doors are available. Illustration shows AP door.



VIEW SHOWN WITH APLR HANDING



VIEW SHOWN WITH PRO SILL

E-Series Hinged Outswing Door Unit Parts - 2-Panel Active/Passive and Passive/Active

E-Series Hinged Outswing Doors (March 2018 to Present)

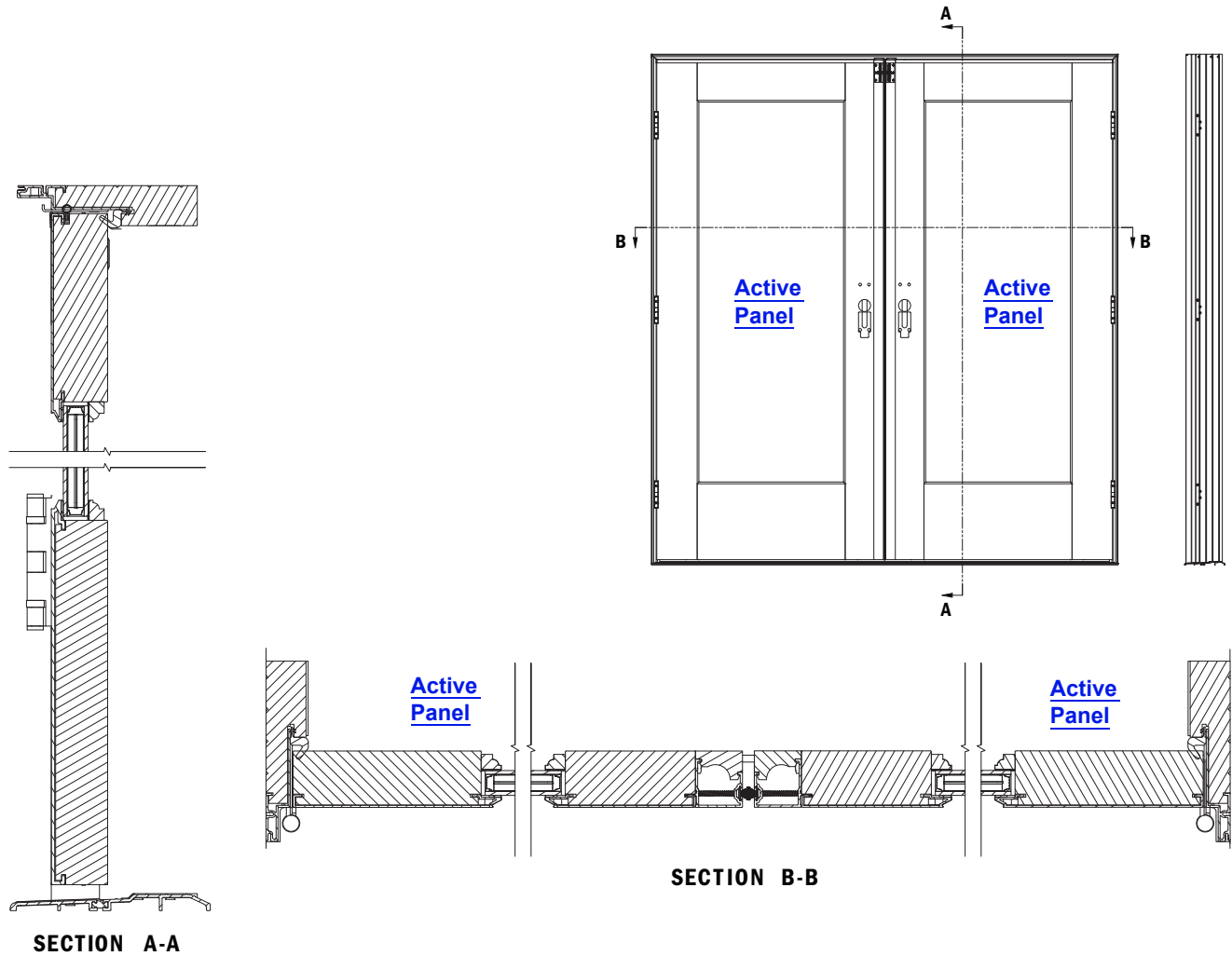
Single, 2-Panel and Stationary

Parts Illustration

Parts Illustration - 2-Panel CPS

Note:

CPS (Concealed Panic System).

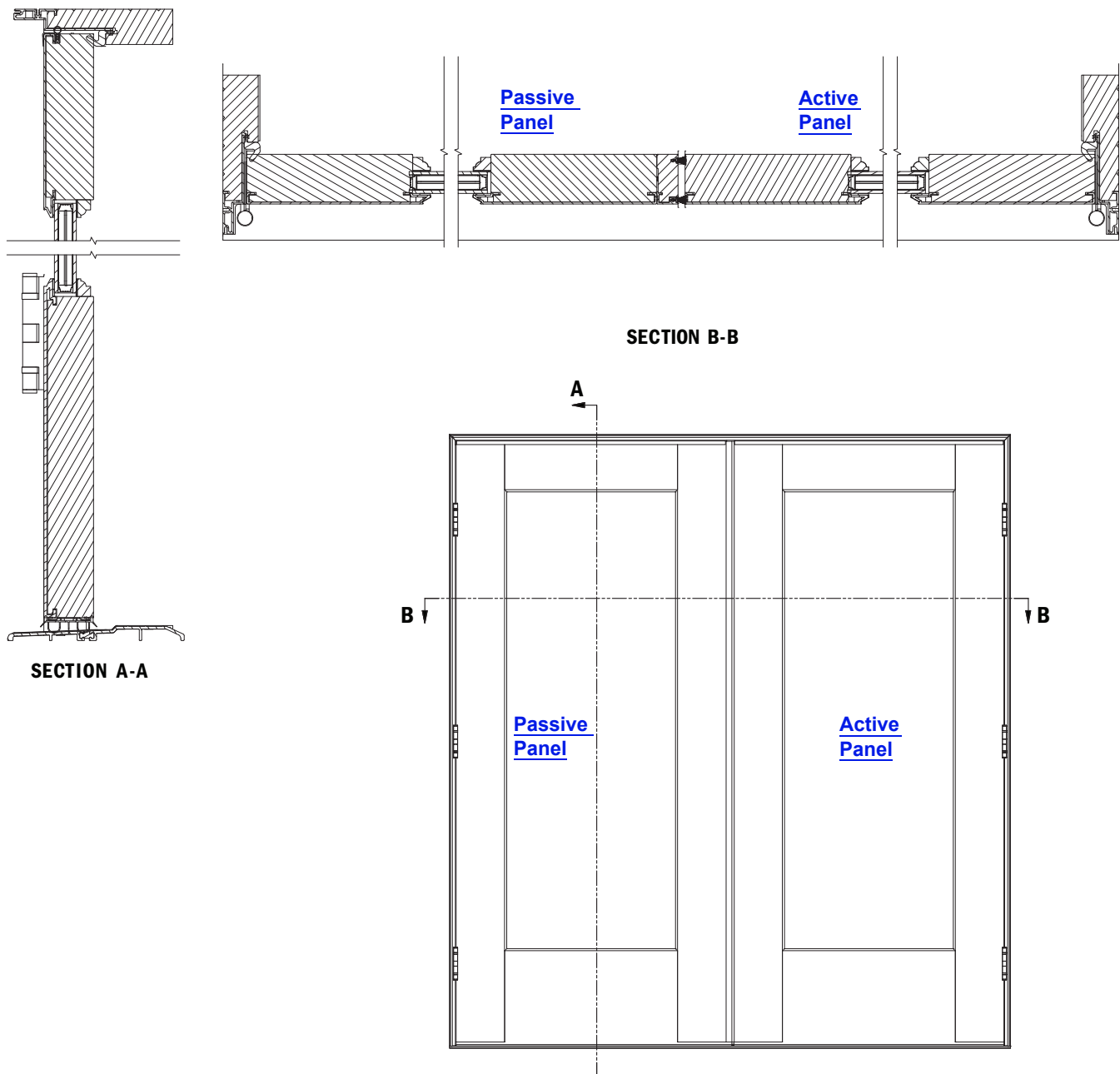


E-Series Hinged Outswing Door Unit - CPS

Parts Illustration

Parts Illustration - 2-Panel Commercial

Note:
Commercial.



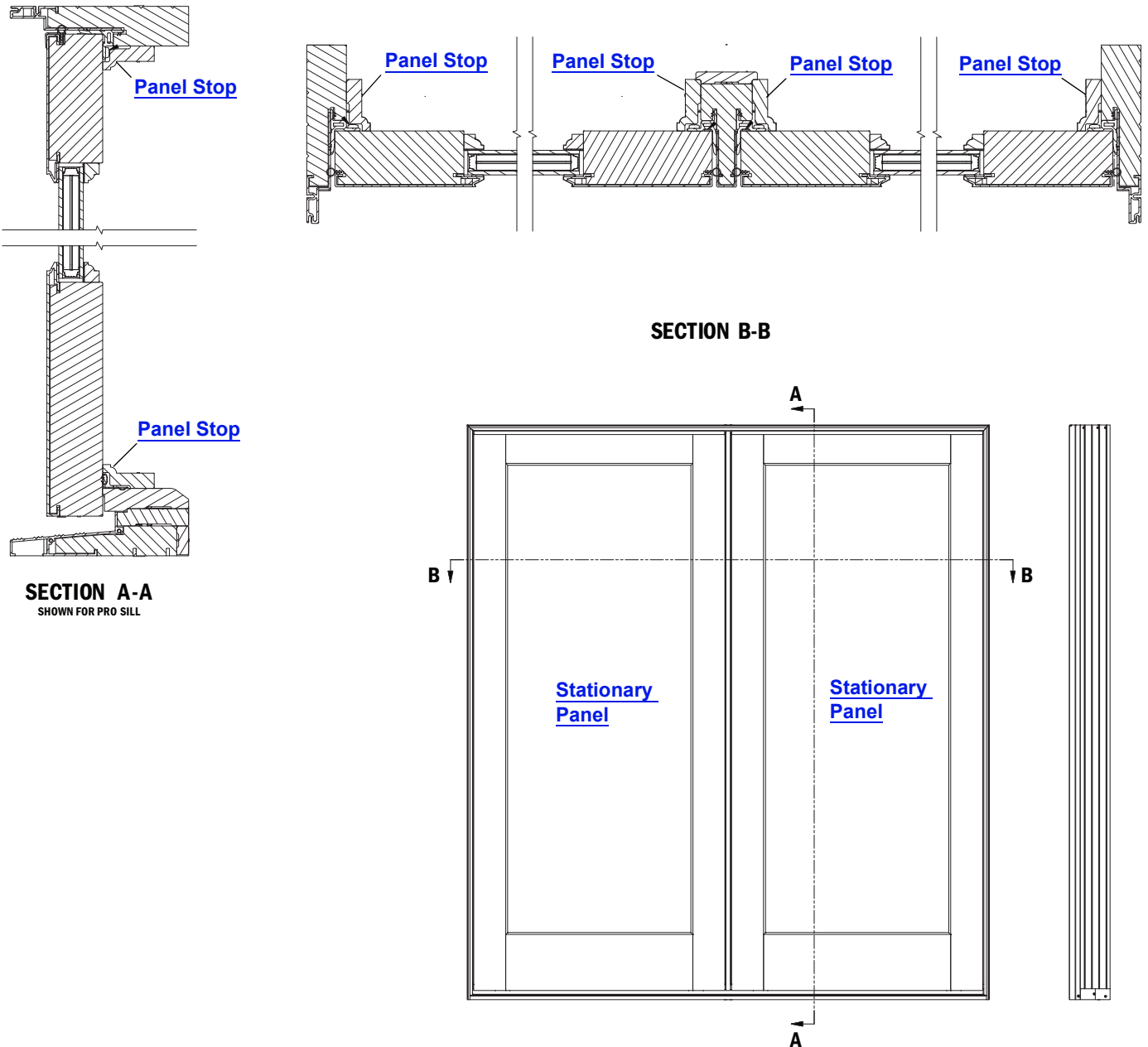
E-Series Hinged Outswing Door Unit - Commercial

E-Series Hinged Outswing Doors (March 2018 to Present)

Single, 2-Panel and Stationary

Parts Illustration

Parts Illustration - 2-Panel Stationary



E-Series Hinged Outswing Door Unit - Stationary

Parts Illustration

Colors - Exterior

Note:
(*) Anodized Finishes

				Colony White	White	Abalone	Balsa White
			Canvas	Maple Syrup	Harvest Gold	Prairie Grass	
Flagstone	Sandtone	Pebble Tan	Carmel	Terratone	Hot Chocolate	Bourbon	
Acorn	Coffee Bean	Cocoa Bean	Sierra Bronze	Dark Bronze	Clay Canyon	Red Rock	
Cardinal	Bing Cherry	Fire Engine Red	Cinnamon Toast	Olive	Sage	Billiard Green	
Moss	Forest Green	Mallard Green	Spearmint	Aquamarine	Patina	Sky Blue	
Country Blue	Blue Denim	Watercolor Blue	Caribbean Blue	Slate	Moody Blue	Stormy Blue	
Dove Gray	Harbor Mist	Yorktown Pewter	Smokey Gray	Mystic Gray	Dark Ash	Black	
Light Bronze*	Champagne*	Clear Anodized*	Black	Dark Bronze*	Copper*	Medium Bronze*	

E-Series Hinged Outswing Doors (March 2018 to Present)

Single, 2-Panel and Stationary

Parts Illustration

Colors/Species/Finishes - Interior

Species Interior Options



Pine



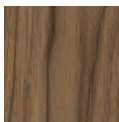
Mixed Grain
Douglas Fir



Oak



Maple



Walnut



Alder



Hickory



Mahogany



Vertical Grain
Douglas Fir



Cherry



White Oak

Stained Interior Options



Clear Coat



Wheat



Autumn Oak



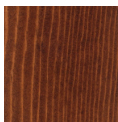
Golden Hickory



Honey



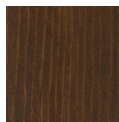
Cinnamon



Russet

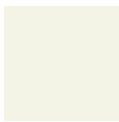


Mocha



Espresso

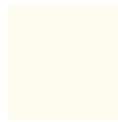
Painted Interior Options



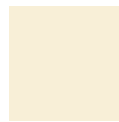
White



Birch Bark



Primed



Canvas



Sandtone



Terratone



Forest Green



Dark Bronze



Dove Gray



Prairie Grass



Red Rock



Cocoa Bean



Black



Anodized Silver ¹

Unit Sizes

Standard and Custom Door Sizes

Note:

E-Series Outswing Doors are available in standard sizes (see standard size charts, [page 13](#)). Replacement parts for some standard doors can be ordered using the numbers listed in this catalog. Many replacement parts for standard doors are made to order. These items are ordered using the Product ID found on the identification label and a description of the part needed. See [Service Guide 9051877](#).

E-Series Outswing Doors are also available in custom sizes in 1/8" increments between the smallest and the largest standard sizes. Most replacement parts for custom-sized doors are made to order and can be ordered with the Product ID found on the identification label and a description of the part needed. See [Service Guide 9051877](#).

E-Series Product Label

Note:

Every E-Series Outswing Door will have an identification label or glass etching containing a unique Product ID. The Product ID on E-Series Outswing Doors will be located at the top of the door frame or etched into the glass. See [Service Guide 9051877](#). The Product ID may be up to 14 digits long (excluding hyphens), depending on the age of the unit. Replacement parts will also get their own unique Product ID. When ordering replacement parts, providing the Product ID ensures that replacement parts match the specifications.

E-Series Hinged Outswing Doors (March 2018 to Present)

Single, 2-Panel and Stationary

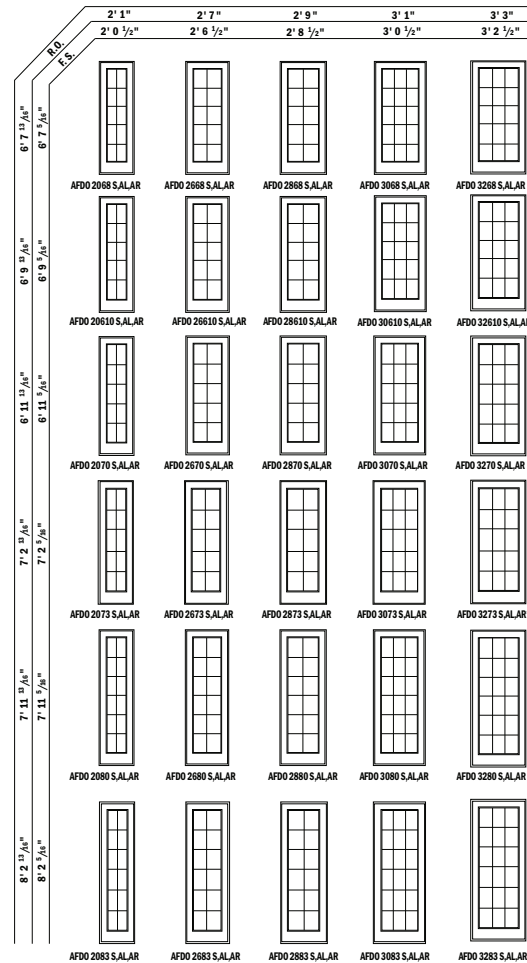
Unit Sizes

Unit Size Chart - Traditional 1-Panel (SP1)

Note:

Unit Dimension refers to overall outside-to-outside frame. See Formula Design Sheet (FS00310) for additional DLO detail. See [Size Chart](#).

Single Hinged Outswing Patio Door & Sidelight Sizes



NOTES

All doors and sidelights use safety/tempered glass.

The minimum vertical joining material width for doors and sidelights is 1/2".
When joining a venting sidelight to a door, the minimum vertical joining material width is 2".

* Commercial sized door panels.

See handing chart on page 132 for operation options.

Use structural joining material when necessary or required by code.

The light patterns illustrated apply to removable interior wood grilles, Full Divided Light, Simulated Divided Light, Decorelle 100, 150 and 400 and Finelight™ Grilles-Between-the-Glass. All removable interior wood grilles will be installed in the units unless otherwise specified.

FOR WINDOWS GREATER THAN 30 SQUARE FEET OR RATED HIGHER THAN PG50, ONE OF THESE THREE INSTALLATION METHODS IS REQUIRED:
A) THROUGH THE JAMB B) ALUMINUM INSTALLATION FLANGE OR C) INSTALLATION CLIPS.
ADDITIONAL CUSTOM SIZES ARE AVAILABLE. CONTACT YOUR LOCAL SUPPLIER FOR MORE INFORMATION. DRAWINGS ARE NOT TO SCALE.

For a metric conversion in millimeters, multiply dimensions in inches by 25.4.

Outswing Frame Height Formula
(using Low Threshold Sill)
= Standard Outswing Frame Height - 7/16"

FORMULA FOR COMBINATION DOORS

The overall frame dimension (both width and height) is equal to the sum of the individual unit frame dimensions plus joining material dimension(s).

The overall rough opening (both width and height) is equal to the overall frame dimensions plus 1/4" on all sides.

Any unit within each combination can be operating or stationary except for direct-set units and transoms.

E-Series Hinged Outswing Door Unit Sizes - Traditional Single Hinged Outswing (SP1)

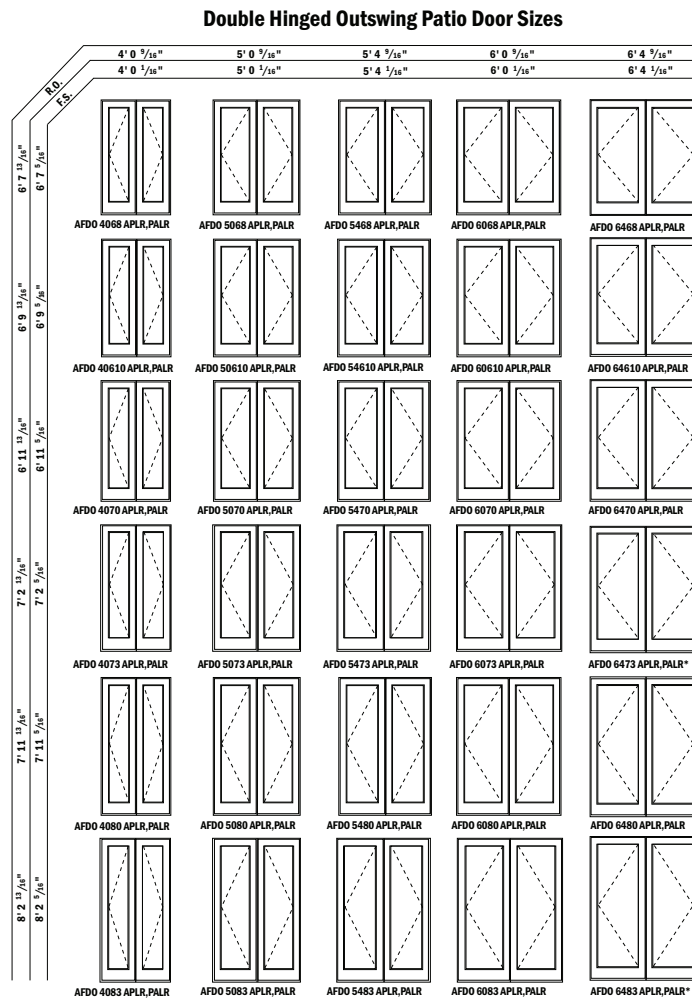
Unit viewed from exterior.

Unit Sizes

Unit Size Chart - Traditional 2-Panel (SP1)

Note:

Unit Dimension refers to overall outside-to-outside frame. See Formula Design Sheet (FS00310) for additional DLO detail. See [Size Chart](#).



NOTES

All doors and sidelights use safety/tempered glass.

The minimum vertical joining material width for doors and sidelights is 1/2".

* Commercial sized door panels.

Use structural joining material when necessary or required by code.

For a metric conversion in millimeters, multiply dimensions in inches by 25.4.

FORMULA FOR COMBINATION DOORS

The overall frame dimension (both width and height) is equal to the sum of the individual unit frame dimensions plus joining material dimension(s).

The overall rough opening (both width and height) is equal to the overall frame dimensions plus 1/4" on all sides.

Any unit within each combination can be operating or stationary except for direct-set units and transoms.

Outswing Frame Height Formula
(using Low Threshold Sill)
= Standard Outswing Frame Height - 7/16"

CUSTOM SIZES ARE AVAILABLE. CONTACT YOUR LOCAL SUPPLIER FOR MORE INFORMATION. DRAWINGS ARE NOT TO SCALE.

E-Series Hinged Outswing Door Unit Sizes - Traditional Double Hinged Outswing (SP1)

Unit viewed from exterior.

E-Series Hinged Outswing Doors (March 2018 to Present)

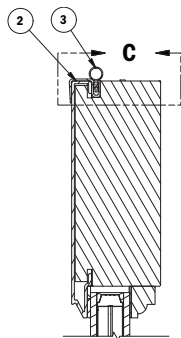
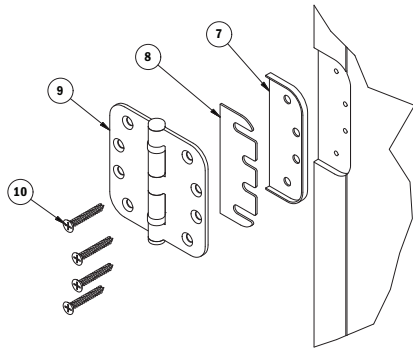
Single, 2-Panel and Stationary

Panels - Active

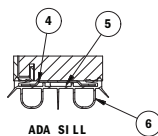
Active Panel Graphic

Note:

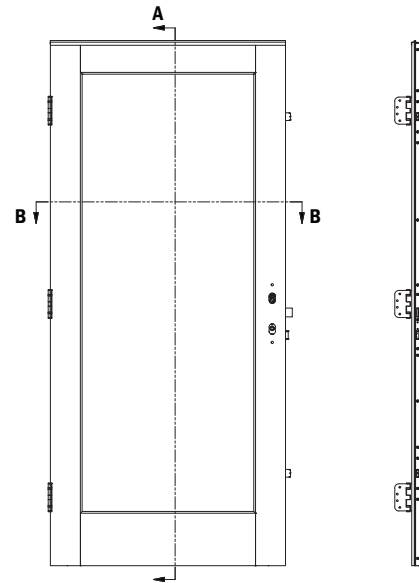
See [Architectural Tools](#) for additional panel detail. Hardware shown not included.



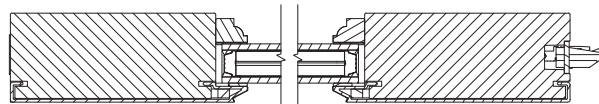
SECTION A-A
STANDARD SILL



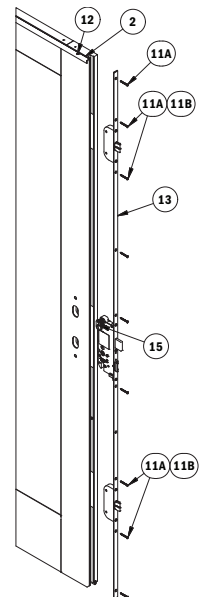
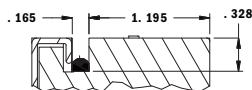
E-Series Hinged Outswing Door Active Panel - Single



SECTION B-B



DETAIL C



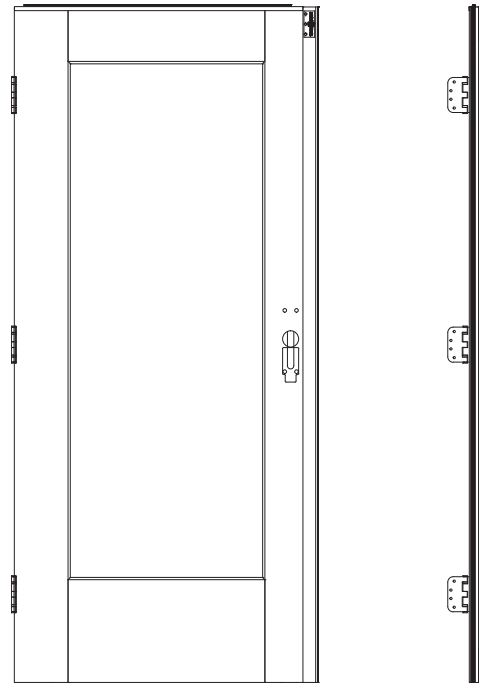
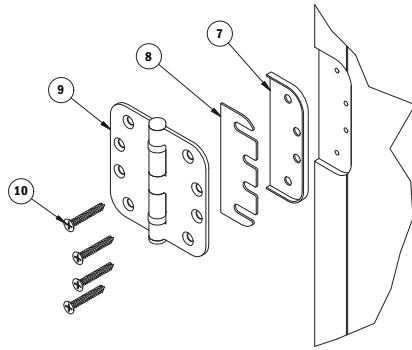
- 2. [Panel Cap](#)
- 3. [Weatherstrip](#)
- 4. [Weatherstrip Receiver](#)
- 5. [Screw - Sweep](#)
- 6. [Sweep](#)
- 7. [Hinge Cup](#)
- 8. [Hinge Shim](#)
- 9. [Hinge](#)
- 10. [Screw - Hinge](#)
- 11A. [Screw - Lock](#)
- 11B. [Screw - Lock](#)
- 12. [Screw - Panel Cap](#)
- 13. [Lock](#)
- 15. [Lock Adapter](#)

Panels - Active

Active Panel Graphic - CPS

Note:

See [Architectural Tools](#) for additional panel detail. Hardware shown not included. CPS (Concealed Panic System).



- 2. [Panel Cap](#)
- 3. [Weatherstrip](#)
- 7. [Hinge Cup](#)
- 8. [Hinge Shim](#)
- 9. [Hinge](#)
- 10. [Screw - Hinge](#)
- 11. Screw
- 12. [Panic Cap - Exterior](#)
- 13. [Screw - Panic Cap](#)
- 14. [Screw - Panic Cap](#)
- 15. [Panic Cap - Interior](#)
- 16. Grommet
- 17. [Weatherstrip - Panic Cap](#)
- 19. Lock Adapter

E-Series Hinged Outswing Door Active Panel

E-Series Hinged Outswing Doors (March 2018 to Present)

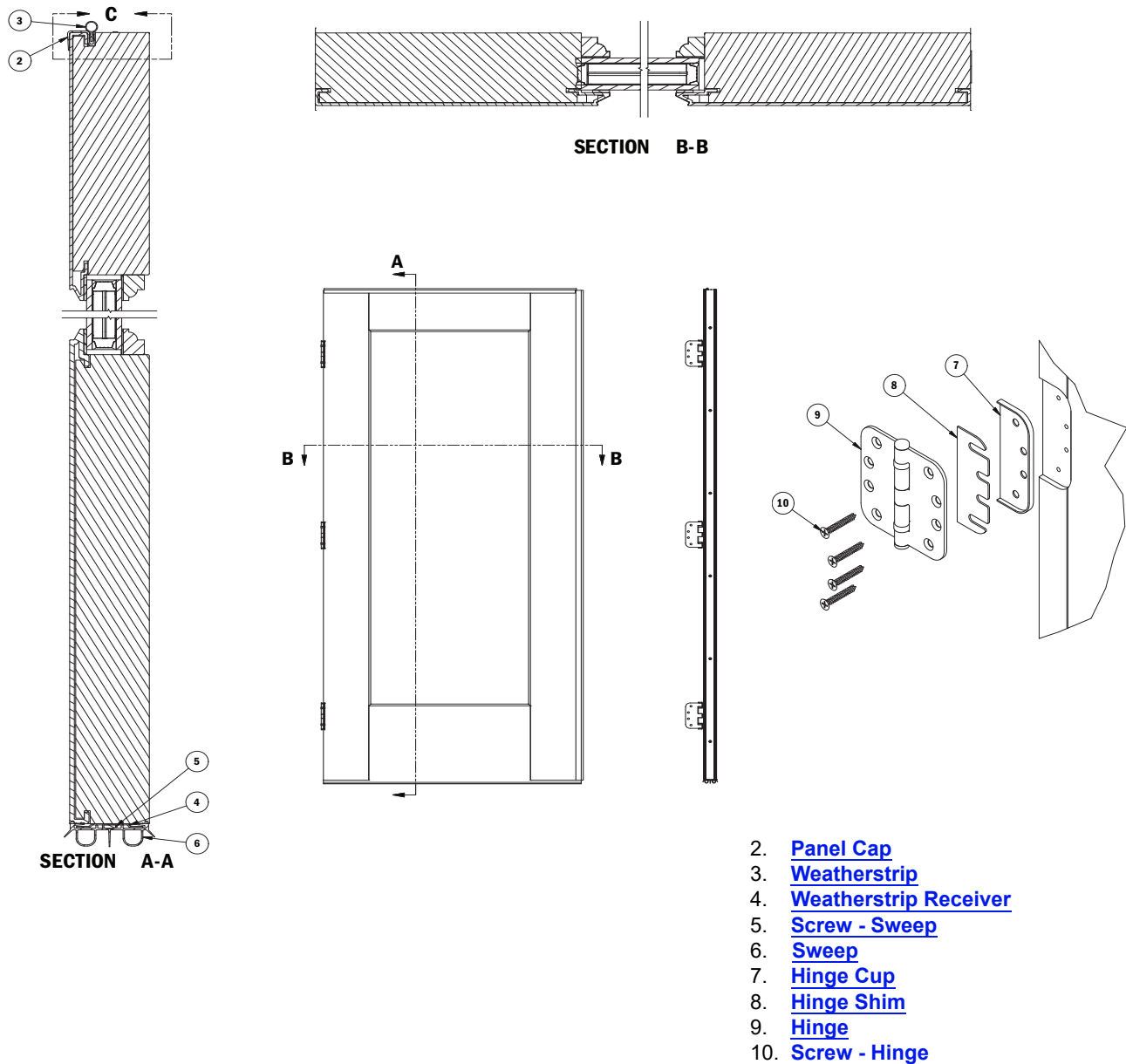
Single, 2-Panel and Stationary

Panels - Active

Active Panel Graphic - Commercial

Note:

See [Architectural Tools](#) for additional panel detail. Hardware shown not included.



E-Series Hinged Outswing Door Active Panel - Commercial

Panels - Active

Active Panel Size Table

Note:

Height dimension is for High Performance sill and SP1 panel.

Overall Active Panel is measured outside edge to outside edge of frame.

Unobstructed Glass is dimension from outside edge to outside edge of visible glass only.

Actual Glass is dimension of outside edge to outside edge of glass, including glass that is not visible.

Guide to door types:

A: active panel; **P:** passive panel; **S:** stationary panel

Unit No.	Type	Overall Active Panel (w x h)	Unobstructed Glass (w x h)	Actual Glass (w x h)
AFDO2068	A	22 ¹¹ / ₁₆ × 77 ³ / ₁₆	13 ⁵ / ₁₆ × 64 ¹ / ₂	14 ⁵ / ₁₆ × 65 ¹ / ₂
AFDO20610	A	22 ¹¹ / ₁₆ × 79 ³ / ₁₆	13 ⁵ / ₁₆ × 66 ¹ / ₂	14 ⁵ / ₁₆ × 67 ¹ / ₂
AFDO2070	A	22 ¹¹ / ₁₆ × 81 ³ / ₁₆	13 ⁵ / ₁₆ × 68 ¹ / ₂	14 ⁵ / ₁₆ × 69 ¹ / ₂
AFDO2073	A	22 ¹¹ / ₁₆ × 84 ³ / ₁₆	13 ⁵ / ₁₆ × 71 ¹ / ₂	14 ⁵ / ₁₆ × 72 ¹ / ₂
AFDO2080	A	22 ¹¹ / ₁₆ × 93 ³ / ₁₆	13 ⁵ / ₁₆ × 80 ¹ / ₂	14 ⁵ / ₁₆ × 81 ¹ / ₂
AFDO2083	A	22 ¹¹ / ₁₆ × 96 ³ / ₁₆	13 ⁵ / ₁₆ × 83 ¹ / ₂	14 ⁵ / ₁₆ × 84 ¹ / ₂
AFDO2668	A	28 ¹¹ / ₁₆ × 77 ³ / ₁₆	19 ⁵ / ₁₆ × 64 ¹ / ₂	20 ⁵ / ₁₆ × 65 ¹ / ₂
AFDO26610	A	28 ¹¹ / ₁₆ × 79 ³ / ₁₆	19 ⁵ / ₁₆ × 66 ¹ / ₂	20 ⁵ / ₁₆ × 67 ¹ / ₂
AFDO2670	A	28 ¹¹ / ₁₆ × 81 ³ / ₁₆	19 ⁵ / ₁₆ × 68 ¹ / ₂	20 ⁵ / ₁₆ × 69 ¹ / ₂
AFDO2673	A	28 ¹¹ / ₁₆ × 84 ³ / ₁₆	19 ⁵ / ₁₆ × 71 ¹ / ₂	20 ⁵ / ₁₆ × 72 ¹ / ₂
AFDO2680	A	28 ¹¹ / ₁₆ × 93 ³ / ₁₆	19 ⁵ / ₁₆ × 80 ¹ / ₂	20 ⁵ / ₁₆ × 81 ¹ / ₂
AFDO2683	A	28 ¹¹ / ₁₆ × 96 ³ / ₁₆	19 ⁵ / ₁₆ × 83 ¹ / ₂	20 ⁵ / ₁₆ × 84 ¹ / ₂
AFDO2868	A	30 ¹¹ / ₁₆ × 77 ³ / ₁₆	21 ⁵ / ₁₆ × 64 ¹ / ₂	22 ⁵ / ₁₆ × 65 ¹ / ₂
AFDO28610	A	30 ¹¹ / ₁₆ × 79 ³ / ₁₆	21 ⁵ / ₁₆ × 66 ¹ / ₂	22 ⁵ / ₁₆ × 67 ¹ / ₂
AFDO2870	A	30 ¹¹ / ₁₆ × 81 ³ / ₁₆	21 ⁵ / ₁₆ × 68 ¹ / ₂	22 ⁵ / ₁₆ × 69 ¹ / ₂
AFDO2873	A	30 ¹¹ / ₁₆ × 84 ³ / ₁₆	21 ⁵ / ₁₆ × 71 ¹ / ₂	22 ⁵ / ₁₆ × 72 ¹ / ₂
AFDO2880	A	30 ¹¹ / ₁₆ × 93 ³ / ₁₆	21 ⁵ / ₁₆ × 80 ¹ / ₂	22 ⁵ / ₁₆ × 81 ¹ / ₂
AFDO2883	A	30 ¹¹ / ₁₆ × 96 ³ / ₁₆	21 ⁵ / ₁₆ × 83 ¹ / ₂	22 ⁵ / ₁₆ × 84 ¹ / ₂
AFDO3068	A	34 ¹¹ / ₁₆ × 77 ³ / ₁₆	25 ⁵ / ₁₆ × 64 ¹ / ₂	26 ⁵ / ₁₆ × 65 ¹ / ₂
AFDO30610	A	34 ¹¹ / ₁₆ × 79 ³ / ₁₆	25 ⁵ / ₁₆ × 66 ¹ / ₂	26 ⁵ / ₁₆ × 67 ¹ / ₂
AFDO3070	A	34 ¹¹ / ₁₆ × 81 ³ / ₁₆	25 ⁵ / ₁₆ × 68 ¹ / ₂	26 ⁵ / ₁₆ × 69 ¹ / ₂
AFDO3073	A	34 ¹¹ / ₁₆ × 84 ³ / ₁₆	25 ⁵ / ₁₆ × 71 ¹ / ₂	26 ⁵ / ₁₆ × 72 ¹ / ₂
AFDO3080	A	34 ¹¹ / ₁₆ × 93 ³ / ₁₆	25 ⁵ / ₁₆ × 80 ¹ / ₂	26 ⁵ / ₁₆ × 81 ¹ / ₂
AFDO3083	A	34 ¹¹ / ₁₆ × 96 ³ / ₁₆	25 ⁵ / ₁₆ × 83 ¹ / ₂	26 ⁵ / ₁₆ × 84 ¹ / ₂
AFDO3268	A	36 ¹¹ / ₁₆ × 77 ³ / ₁₆	27 ⁵ / ₁₆ × 64 ¹ / ₂	28 ⁵ / ₁₆ × 65 ¹ / ₂
AFDO32610	A	36 ¹¹ / ₁₆ × 79 ³ / ₁₆	27 ⁵ / ₁₆ × 66 ¹ / ₂	28 ⁵ / ₁₆ × 67 ¹ / ₂
AFDO3270	A	36 ¹¹ / ₁₆ × 81 ³ / ₁₆	27 ⁵ / ₁₆ × 68 ¹ / ₂	28 ⁵ / ₁₆ × 69 ¹ / ₂
AFDO3273	A	36 ¹¹ / ₁₆ × 84 ³ / ₁₆	27 ⁵ / ₁₆ × 71 ¹ / ₂	28 ⁵ / ₁₆ × 72 ¹ / ₂
AFDO3280	A	36 ¹¹ / ₁₆ × 93 ³ / ₁₆	27 ⁵ / ₁₆ × 80 ¹ / ₂	28 ⁵ / ₁₆ × 81 ¹ / ₂
AFDO3283	A	36 ¹¹ / ₁₆ × 96 ³ / ₁₆	27 ⁵ / ₁₆ × 83 ¹ / ₂	28 ⁵ / ₁₆ × 84 ¹ / ₂

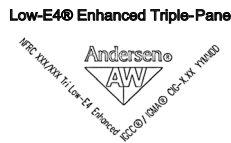
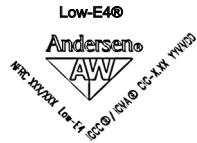
E-Series Hinged Outswing Doors (March 2018 to Present)

Single, 2-Panel and Stationary

Panels - Active

Active Panels

Panel - Active



TEMPERED
 I/A S GCC XXXX
 16 CFR 1201.11
 ANSI Z97.1-2009
 CIG-XX Xmm MM/DD/YR
 CAN/CCSB 12.1-M90

Note:

Tempered safety glass is standard on patio doors. Replacement panel for standard and custom-sized doors can be configured through iQ+.

Exterior color options

Interior species/finish/color options

Glass options (See Logo/Etching Examples):

Low-E4®	Low-E4® HeatLock	Low-E4® Triple-Pane
Low-E4® SmartSun™	Low-E4® Smart-Sun HeatLock	Low-E4® Smart-Sun Triple-Pane
Low-E4® Passive Sun	Low-E4® Sun Heat-Lock	Low-E4® Enhanced Triple-Pane
Low-E4® Sun	Low-E4® HeatLock Tempered	Low-E4® Smart-Sun Enhanced Triple-Pane
Low-E4® Tempered	Obscure	Low-E4® Enhanced Triple-Pane Heat-Lock
Low-E4® SmartSun Tempered	Cascade	Low-E4® Smart-Sun Enhanced Triple-Pane HeatLock
Low-E4® Passive Sun Tempered	Fern	
Low-E4® Sun Tempered	Reed	

To order, state:

Product ID (from product label, see [Service Guide 9051877](#))

OR

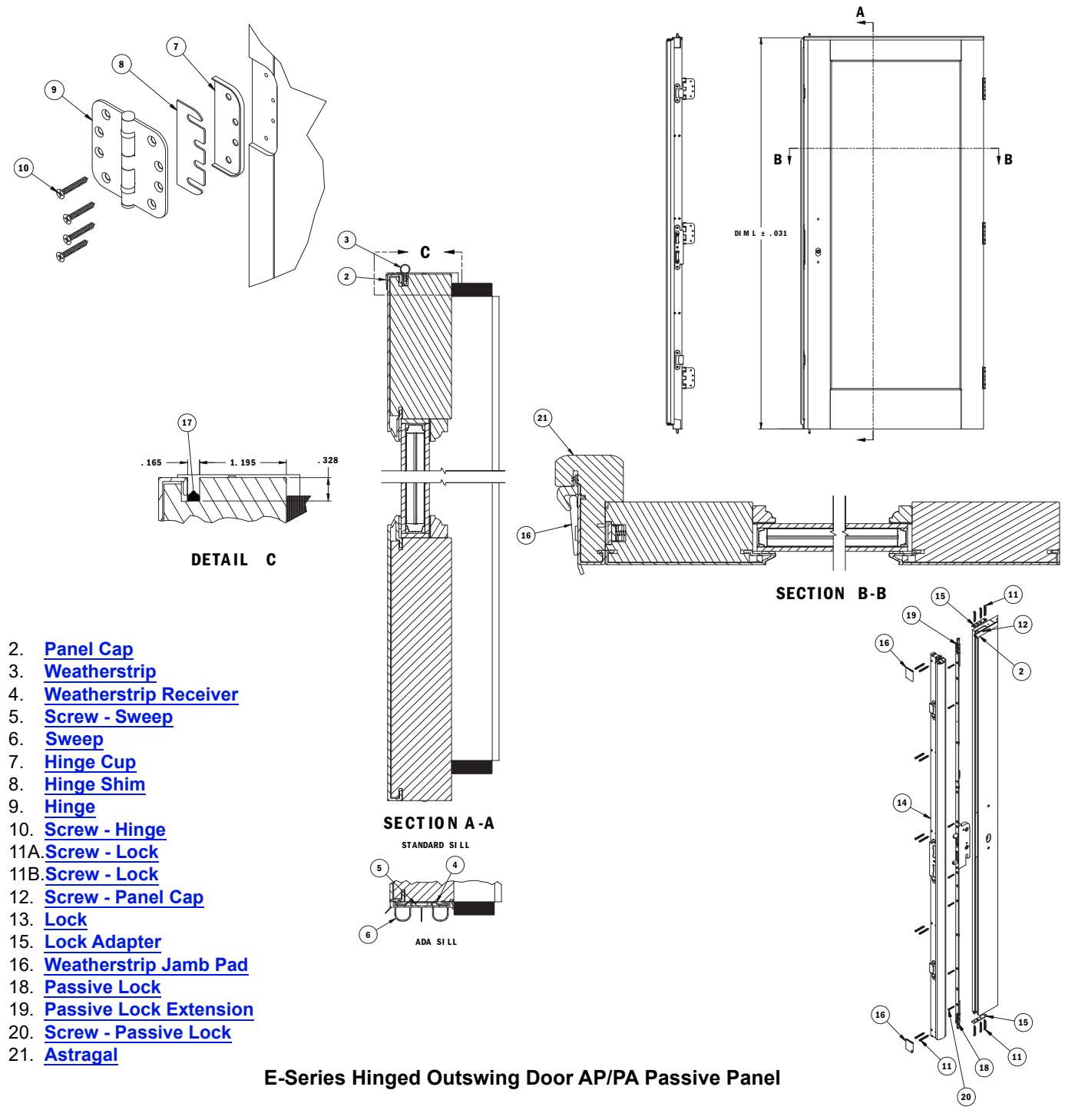
1. Unit or frame size (AFDO, AFDOP XXXX or frame W x H dimensions)
2. Description of part (Active Panel)
3. Panel Type (Standard, CPS, Commercial)
4. Panel Style (Traditional, Contemporary)
5. [Panel Options](#) (Mid-Rail)
6. Handing (Right, Left)
7. Exterior color of panel
8. Interior wood species of panel
9. Interior finish/color of panel
10. Glazing

Panels - Passive

Passive Panel Graphic

Note:

See [Architectural Tools](#) for additional panel detail. Hardware shown not included.



E-Series Hinged Outswing Doors (March 2018 to Present)

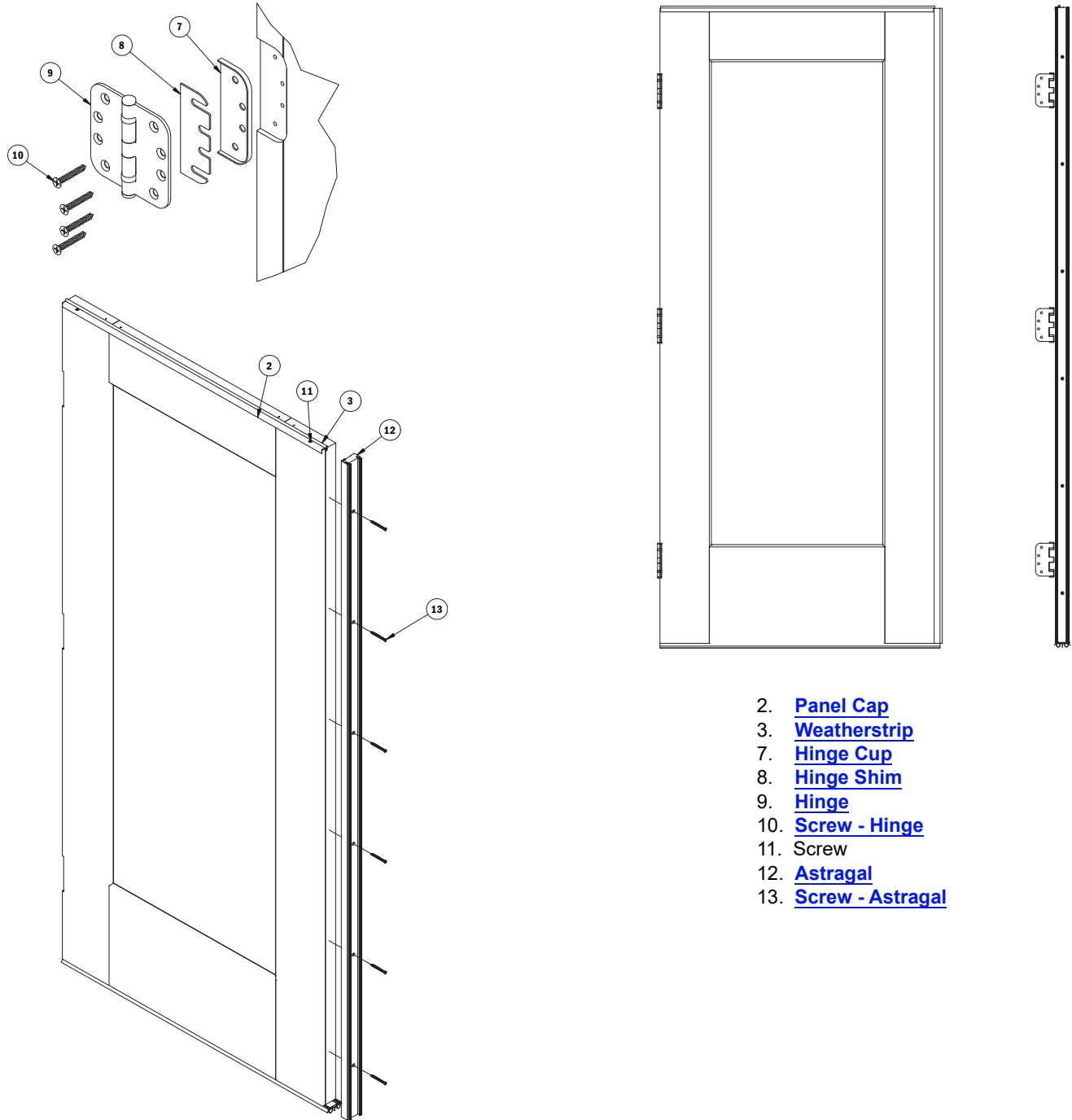
Single, 2-Panel and Stationary

Panels - Passive

Passive Panel Graphic - Commercial

Note:

See [Architectural Tools](#) for additional panel detail. Hardware shown not included. CPS (Concealed Panic System).



- 2. [Panel Cap](#)
- 3. [Weatherstrip](#)
- 7. [Hinge Cup](#)
- 8. [Hinge Shim](#)
- 9. [Hinge](#)
- 10. [Screw - Hinge](#)
- 11. Screw
- 12. [Astragal](#)
- 13. [Screw - Astragal](#)

E-Series Hinged Outswing Door Passive Panel

Panels - Passive

Passive Panel Size Table

Note:

Height dimension is for High Performance sill and SP1 panel.

Overall Passive Panel is measured outside edge to outside edge of frame.

Unobstructed Glass is dimension from outside edge to outside edge of visible glass only.

Actual Glass is dimension of outside edge to outside edge of glass, including glass that is not visible.

Guide to door types

A: active panel; **P:** passive panel; **S:** stationary panel

Unit No.	Type	Overall Passive Panel (w x h)	Unobstructed Glass (w x h)	Actual Glass (w x h)
AFDO2068	P	22 ¹¹ / ₁₆ × 77 ³ / ₁₆	13 ⁵ / ₁₆ × 64 ¹ / ₂	14 ⁵ / ₁₆ × 65 ¹ / ₂
AFDO20610	P	22 ¹¹ / ₁₆ × 79 ³ / ₁₆	13 ⁵ / ₁₆ × 66 ¹ / ₂	14 ⁵ / ₁₆ × 67 ¹ / ₂
AFDO2070	P	22 ¹¹ / ₁₆ × 81 ³ / ₁₆	13 ⁵ / ₁₆ × 68 ¹ / ₂	14 ⁵ / ₁₆ × 69 ¹ / ₂
AFDO2073	P	22 ¹¹ / ₁₆ × 84 ³ / ₁₆	13 ⁵ / ₁₆ × 71 ¹ / ₂	14 ⁵ / ₁₆ × 72 ¹ / ₂
AFDO2080	P	22 ¹¹ / ₁₆ × 93 ³ / ₁₆	13 ⁵ / ₁₆ × 80 ¹ / ₂	14 ⁵ / ₁₆ × 81 ¹ / ₂
AFDO2083	P	22 ¹¹ / ₁₆ × 96 ³ / ₁₆	13 ⁵ / ₁₆ × 83 ¹ / ₂	14 ⁵ / ₁₆ × 84 ¹ / ₂
AFDO2668	P	28 ¹¹ / ₁₆ × 77 ³ / ₁₆	19 ⁵ / ₁₆ × 64 ¹ / ₂	20 ⁵ / ₁₆ × 65 ¹ / ₂
AFDO26610	P	28 ¹¹ / ₁₆ × 79 ³ / ₁₆	19 ⁵ / ₁₆ × 66 ¹ / ₂	20 ⁵ / ₁₆ × 67 ¹ / ₂
AFDO2670	P	28 ¹¹ / ₁₆ × 81 ³ / ₁₆	19 ⁵ / ₁₆ × 68 ¹ / ₂	20 ⁵ / ₁₆ × 69 ¹ / ₂
AFDO2673	P	28 ¹¹ / ₁₆ × 84 ³ / ₁₆	19 ⁵ / ₁₆ × 71 ¹ / ₂	20 ⁵ / ₁₆ × 72 ¹ / ₂
AFDO2680	P	28 ¹¹ / ₁₆ × 93 ³ / ₁₆	19 ⁵ / ₁₆ × 80 ¹ / ₂	20 ⁵ / ₁₆ × 81 ¹ / ₂
AFDO2683	P	28 ¹¹ / ₁₆ × 96 ³ / ₁₆	19 ⁵ / ₁₆ × 83 ¹ / ₂	20 ⁵ / ₁₆ × 84 ¹ / ₂
AFDO2868	P	30 ¹¹ / ₁₆ × 77 ³ / ₁₆	21 ⁵ / ₁₆ × 64 ¹ / ₂	22 ⁵ / ₁₆ × 65 ¹ / ₂
AFDO28610	P	30 ¹¹ / ₁₆ × 79 ³ / ₁₆	21 ⁵ / ₁₆ × 66 ¹ / ₂	22 ⁵ / ₁₆ × 67 ¹ / ₂
AFDO2870	P	30 ¹¹ / ₁₆ × 81 ³ / ₁₆	21 ⁵ / ₁₆ × 68 ¹ / ₂	22 ⁵ / ₁₆ × 69 ¹ / ₂
AFDO2873	P	30 ¹¹ / ₁₆ × 84 ³ / ₁₆	21 ⁵ / ₁₆ × 71 ¹ / ₂	22 ⁵ / ₁₆ × 72 ¹ / ₂
AFDO2880	P	30 ¹¹ / ₁₆ × 93 ³ / ₁₆	21 ⁵ / ₁₆ × 80 ¹ / ₂	22 ⁵ / ₁₆ × 81 ¹ / ₂
AFDO2883	P	30 ¹¹ / ₁₆ × 96 ³ / ₁₆	21 ⁵ / ₁₆ × 83 ¹ / ₂	22 ⁵ / ₁₆ × 84 ¹ / ₂
AFDO3068	P	34 ¹¹ / ₁₆ × 77 ³ / ₁₆	25 ⁵ / ₁₆ × 64 ¹ / ₂	26 ⁵ / ₁₆ × 65 ¹ / ₂
AFDO30610	P	34 ¹¹ / ₁₆ × 79 ³ / ₁₆	25 ⁵ / ₁₆ × 66 ¹ / ₂	26 ⁵ / ₁₆ × 67 ¹ / ₂
AFDO3070	P	34 ¹¹ / ₁₆ × 81 ³ / ₁₆	25 ⁵ / ₁₆ × 68 ¹ / ₂	26 ⁵ / ₁₆ × 69 ¹ / ₂
AFDO3073	P	34 ¹¹ / ₁₆ × 84 ³ / ₁₆	25 ⁵ / ₁₆ × 71 ¹ / ₂	26 ⁵ / ₁₆ × 72 ¹ / ₂
AFDO3080	P	34 ¹¹ / ₁₆ × 93 ³ / ₁₆	25 ⁵ / ₁₆ × 80 ¹ / ₂	26 ⁵ / ₁₆ × 81 ¹ / ₂
AFDO3083	P	34 ¹¹ / ₁₆ × 96 ³ / ₁₆	25 ⁵ / ₁₆ × 83 ¹ / ₂	26 ⁵ / ₁₆ × 84 ¹ / ₂
AFDO3268	P	36 ¹¹ / ₁₆ × 77 ³ / ₁₆	27 ⁵ / ₁₆ × 64 ¹ / ₂	28 ⁵ / ₁₆ × 65 ¹ / ₂
AFDO32610	P	36 ¹¹ / ₁₆ × 79 ³ / ₁₆	27 ⁵ / ₁₆ × 66 ¹ / ₂	28 ⁵ / ₁₆ × 67 ¹ / ₂
AFDO3270	P	36 ¹¹ / ₁₆ × 81 ³ / ₁₆	27 ⁵ / ₁₆ × 68 ¹ / ₂	28 ⁵ / ₁₆ × 69 ¹ / ₂
AFDO3273	P	36 ¹¹ / ₁₆ × 84 ³ / ₁₆	27 ⁵ / ₁₆ × 71 ¹ / ₂	28 ⁵ / ₁₆ × 72 ¹ / ₂
AFDO3280	P	36 ¹¹ / ₁₆ × 93 ³ / ₁₆	27 ⁵ / ₁₆ × 80 ¹ / ₂	28 ⁵ / ₁₆ × 81 ¹ / ₂
AFDO3283	P	36 ¹¹ / ₁₆ × 96 ³ / ₁₆	27 ⁵ / ₁₆ × 83 ¹ / ₂	28 ⁵ / ₁₆ × 84 ¹ / ₂

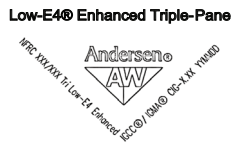
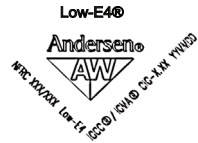
E-Series Hinged Outswing Doors (March 2018 to Present)

Single, 2-Panel and Stationary

Panels - Passive

Passive Panels

Panel - Passive / AP/PA



TEMPERED
UA SGCC XXXX
16 CFR 1201.11
ANSI Z97.1-2009
CIG-XX Xmm MM/DD/YR
CAN/CGSB 12.1-M90

Note:

Tempered safety glass is standard on patio doors. Replacement panel for standard and custom-sized doors can be configured through iQ+.

See [Service Guide 9069160](#) (Type 1).

See [Service Guide 9069251](#) (Type 2).

See [Service Guide 9069252](#) (Type 3).

[Exterior color options](#)

[Interior species/finish/color options](#)

Glass options (See [Logo/Etching Examples](#)):

Low-E4®	Low-E4® HeatLock	Low-E4® Triple-Pane
Low-E4® SmartSun™	Low-E4® Smart-Sun HeatLock	Low-E4® Smart-Sun Triple-Pane
Low-E4® Passive Sun	Low-E4® Sun Heat-Lock	Low-E4® Enhanced Triple-Pane
Low-E4® Sun	Low-E4® HeatLock Tempered	Low-E4® Smart-Sun Enhanced Triple-Pane
Low-E4® Tempered	Obscure	Low-E4® Enhanced Triple-Pane Heat-Lock
Low-E4® SmartSun Tempered	Cascade	Low-E4® Smart-Sun Enhanced Triple-Pane HeatLock
Low-E4® Passive Sun Tempered	Fern	
Low-E4® Sun Tempered	Reed	

To order, state:

Product ID (from product label, see [Service Guide 9051877](#))

OR

1. Unit or frame size (AFDO XXXX or frame W x H dimensions)
2. Description of part (Passive Panel)
3. Panel Type (Standard, CPS, Commercial)
4. Panel Style (Traditional, Contemporary)
5. [Panel Options](#) (Mid-Rail)
6. Handing (Right, Left)
7. Exterior color of panel
8. Interior wood species of panel
9. Interior finish/color of panel
10. Glazing

Panels - Passive

Panel Astragal		
Standard	Commercial	CPS
<p>Note: Replacement astragal for standard and custom-sized doors is made to order. The astragal is typically applied to the passive panel. An astragal for an AP unit is different than an astragal for a PA unit.</p> <p><u>Exterior color options</u> <u>Interior species/finish/color options</u></p> <p>To order, state:</p> <ol style="list-style-type: none"> 1. Description of Part (Panel Astragal Assembly AP Unit or Panel Astragal Assembly PA Unit if applicable) 2. Quantity 3. Type (Standard, Commercial, CPS) 4. Exterior color of panel 5. Interior wood species of panel 6. Interior finish/color of panel 7. Frame height 8. Product ID (from product label, see page 12) 		

E-Series Hinged Outswing Doors (March 2018 to Present)

Single, 2-Panel and Stationary

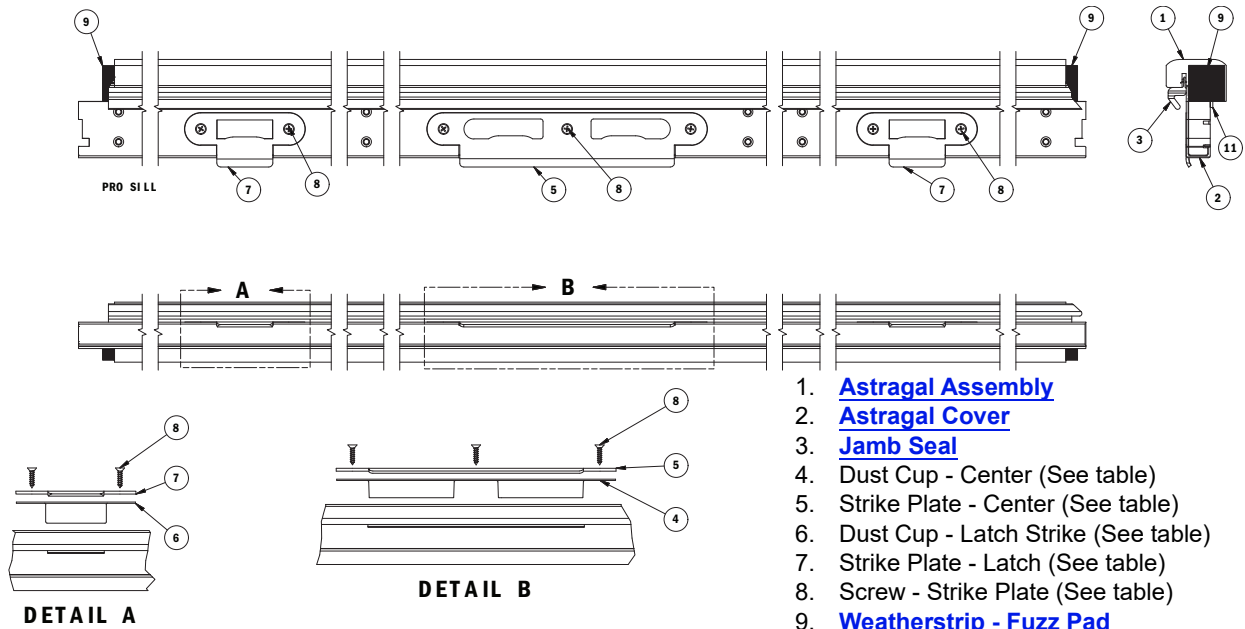
Panels - Passive

Astragal Parts

Latch Strike Graphic / Astragal



Note:

Strike table for astragal. Dust cup (not shown in graphic) sits below strike. *Stainless steel and black screws used for multiple finishes.



1. [Astragal Assembly](#)
2. [Astragal Cover](#)
3. [Jamb Seal](#)
4. Dust Cup - Center (See table)
5. Strike Plate - Center (See table)
6. Dust Cup - Latch Strike (See table)
7. Strike Plate - Latch (See table)
8. Screw - Strike Plate (See table)
9. [Weatherstrip - Fuzz Pad](#)

Strike / Latch

Finish	Center Strike Ref. No. 5	Latch Strike (Top/Bottom) Ref. No. 7	Screws Ref. No. 8	Dust Cup Latch Strike (Single) Ref. No. 6	Dust Cup Center (Double) Ref. No. 4
					
Black	9172384	9096354	*9105312	0GU2017	9172379
Gold Dust	9172385		9173135		
Stone	9172386		9173136		
White	9172387	9096353	9105791		
Distressed Nickel	9172389		*0015331		
Oil Rubbed Bronze	9172390	9096355	*9105312		
Satin Nickel	9172391		*0015331		
Brushed Chrome	9172392		*0015331		
Polished Chrome	9172393		*0015331		
Antique Brass	9172394	9096352	9105311		
Bright Brass	9172395		9105310		
Stainless Steel		9096350			
Bright Chrome		9096356			
Limited Lifetime Brass		9096357			
Brass		9096351			

Panels - Passive

Panic Cap - Exterior Ref. No. 12 page 16					
<p>Note: Secures to side of panel with panic system.</p> <p><i>To order, state:</i></p> <p>Product ID (from product label, see Service Guide 9051877) OR</p> <ol style="list-style-type: none"> 1. Unit or frame height (AFDOP XXXX or frame height dimension) 2. Description of part (Panic Cap) 3. Exterior Color 					
<table border="1"> <tr> <td style="width: 50%;"></td> <td style="width: 50%;">Order No.</td> </tr> <tr> <td></td> <td>By description</td> </tr> </table>			Order No.		By description
	Order No.				
	By description				

Panic Cap - Interior Ref. No. 15 page 16					
<p>Note: Secures to side of panel with panic system.</p> <p><i>To order, state:</i></p> <p>Product ID (from product label, see Service Guide 9051877) OR</p> <ol style="list-style-type: none"> 1. Unit or frame height (AFDOP XXXX or frame height dimension) 2. Description of part (Panic Cap) 3. Interior Color/Finish/Species 					
<table border="1"> <tr> <td style="width: 50%;"></td> <td style="width: 50%;">Order No.</td> </tr> <tr> <td></td> <td>By description</td> </tr> </table>			Order No.		By description
	Order No.				
	By description				

Panic Cap Screw Ref. No. 13 page 16			
	Description	Finish	Order No.
	#8 x 2 1/2 PFHSMS Type A SS	Stainless Steel	0013398

Panic Cap Screw Ref. No. 14 page 16				
	Description	Color	Order No.	
			2604	2605
	#8 x 1 PPHWS Teks Screw Zinc	Black	0011693	0K17658
		Canvas	0011694	0K18319
		Dove Gray	0011695	0K18320
		Cocoa Bean	0011696	
		Prairie Grass	0011697	
		Red Rock	0011698	0K18321
		Dark Bronze	0049454	0K20948
		Pebble Tan	0611948	
		Eagle Ch Chip	9105811	

E-Series Hinged Outswing Doors (March 2018 to Present)

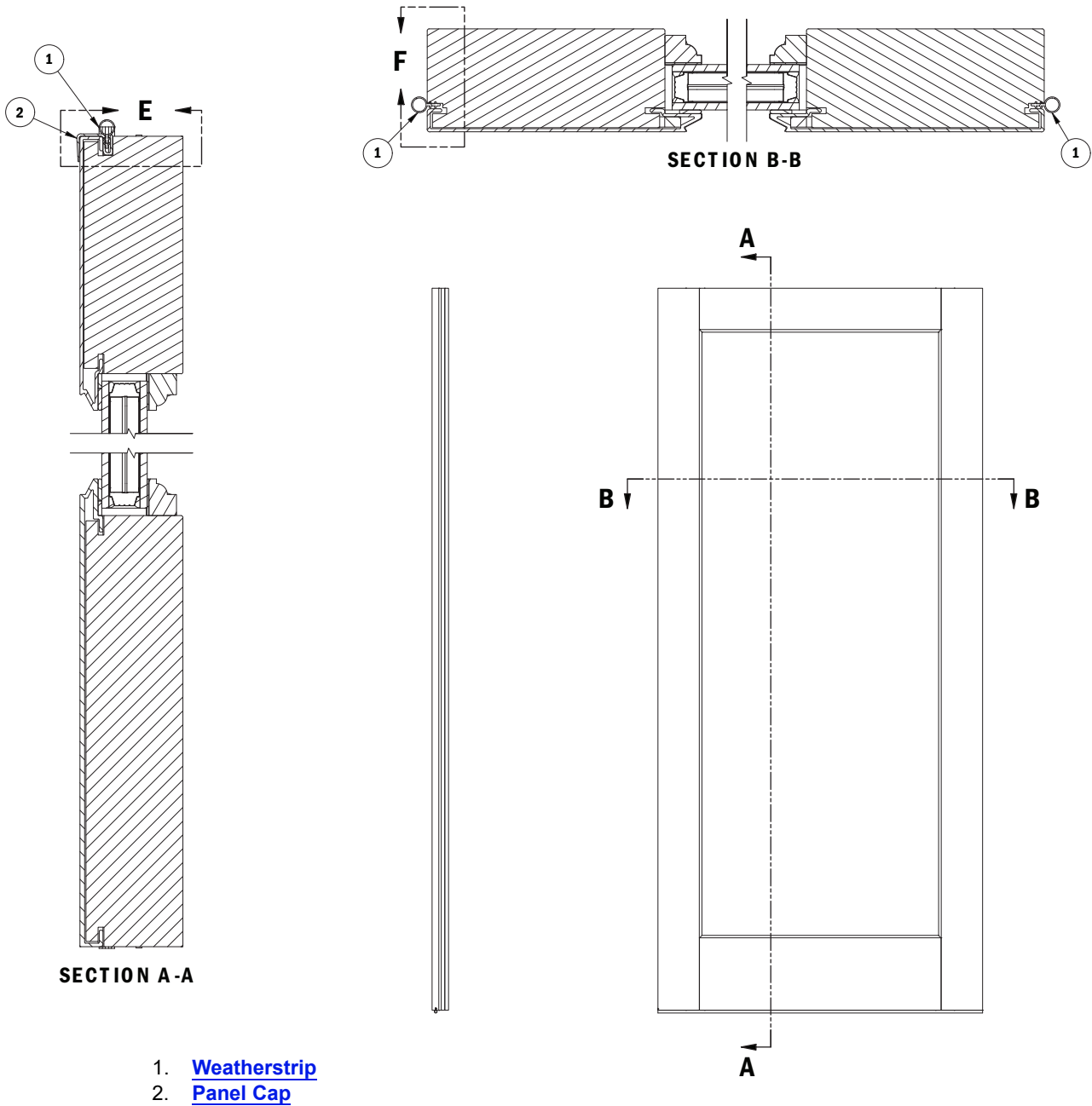
Single, 2-Panel and Stationary

Panels - Stationary / Sidelight

Stationary / Sidelight Panel Graphic

Note:

Right hand stationary panel shown. See [Architectural Tools](#) for additional panel detail.



E-Series Hinged Outswing Door Stationary/Sidelight Panel

Panels - Stationary / Sidelight

Stationary / Sidelight Panel Size Table

Note:

Height dimension is for High Performance sill and SP1 panel.

Overall Stationary Panel is measured outside edge to outside edge of frame.

Unobstructed Glass is dimension from outside edge to outside edge of visible glass only.

Actual Glass is dimension of outside edge to outside edge of glass, including glass that is not visible.

Guide to door types:

A: active panel; **P:** passive panel; **S:** stationary panel

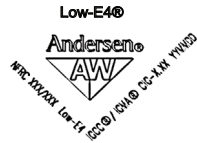
Unit No.	Type	Overall Stationary Panel (w x h)	Unobstructed Glass (w x h)	Actual Glass (w x h)
AFDO2068	S	22 ¹¹ / ₁₆ × 77 ³ / ₁₆	13 ⁵ / ₁₆ × 64 ¹ / ₂	14 ⁵ / ₁₆ × 65 ¹ / ₂
AFDO20610	S	22 ¹¹ / ₁₆ × 79 ³ / ₁₆	13 ⁵ / ₁₆ × 66 ¹ / ₂	14 ⁵ / ₁₆ × 67 ¹ / ₂
AFDO2070	S	22 ¹¹ / ₁₆ × 81 ³ / ₁₆	13 ⁵ / ₁₆ × 68 ¹ / ₂	14 ⁵ / ₁₆ × 69 ¹ / ₂
AFDO2073	S	22 ¹¹ / ₁₆ × 84 ³ / ₁₆	13 ⁵ / ₁₆ × 71 ¹ / ₂	14 ⁵ / ₁₆ × 72 ¹ / ₂
AFDO2080	S	22 ¹¹ / ₁₆ × 93 ³ / ₁₆	13 ⁵ / ₁₆ × 80 ¹ / ₂	14 ⁵ / ₁₆ × 81 ¹ / ₂
AFDO2083	S	22 ¹¹ / ₁₆ × 96 ³ / ₁₆	13 ⁵ / ₁₆ × 83 ¹ / ₂	14 ⁵ / ₁₆ × 84 ¹ / ₂
AFDO2668	S	28 ¹¹ / ₁₆ × 77 ³ / ₁₆	19 ⁵ / ₁₆ × 64 ¹ / ₂	20 ⁵ / ₁₆ × 65 ¹ / ₂
AFDO26610	S	28 ¹¹ / ₁₆ × 79 ³ / ₁₆	19 ⁵ / ₁₆ × 66 ¹ / ₂	20 ⁵ / ₁₆ × 67 ¹ / ₂
AFDO2670	S	28 ¹¹ / ₁₆ × 81 ³ / ₁₆	19 ⁵ / ₁₆ × 68 ¹ / ₂	20 ⁵ / ₁₆ × 69 ¹ / ₂
AFDO2673	S	28 ¹¹ / ₁₆ × 84 ³ / ₁₆	19 ⁵ / ₁₆ × 71 ¹ / ₂	20 ⁵ / ₁₆ × 72 ¹ / ₂
AFDO2680	S	28 ¹¹ / ₁₆ × 93 ³ / ₁₆	19 ⁵ / ₁₆ × 80 ¹ / ₂	20 ⁵ / ₁₆ × 81 ¹ / ₂
AFDO2683	S	28 ¹¹ / ₁₆ × 96 ³ / ₁₆	19 ⁵ / ₁₆ × 83 ¹ / ₂	20 ⁵ / ₁₆ × 84 ¹ / ₂
AFDO2868	S	30 ¹¹ / ₁₆ × 77 ³ / ₁₆	21 ⁵ / ₁₆ × 64 ¹ / ₂	22 ⁵ / ₁₆ × 65 ¹ / ₂
AFDO28610	S	30 ¹¹ / ₁₆ × 79 ³ / ₁₆	21 ⁵ / ₁₆ × 66 ¹ / ₂	22 ⁵ / ₁₆ × 67 ¹ / ₂
AFDO2870	S	30 ¹¹ / ₁₆ × 81 ³ / ₁₆	21 ⁵ / ₁₆ × 68 ¹ / ₂	22 ⁵ / ₁₆ × 69 ¹ / ₂
AFDO2873	S	30 ¹¹ / ₁₆ × 84 ³ / ₁₆	21 ⁵ / ₁₆ × 71 ¹ / ₂	22 ⁵ / ₁₆ × 72 ¹ / ₂
AFDO2880	S	30 ¹¹ / ₁₆ × 93 ³ / ₁₆	21 ⁵ / ₁₆ × 80 ¹ / ₂	22 ⁵ / ₁₆ × 81 ¹ / ₂
AFDO2883	S	30 ¹¹ / ₁₆ × 96 ³ / ₁₆	21 ⁵ / ₁₆ × 83 ¹ / ₂	22 ⁵ / ₁₆ × 84 ¹ / ₂
AFDO3068	S	34 ¹¹ / ₁₆ × 77 ³ / ₁₆	25 ⁵ / ₁₆ × 64 ¹ / ₂	26 ⁵ / ₁₆ × 65 ¹ / ₂
AFDO30610	S	34 ¹¹ / ₁₆ × 79 ³ / ₁₆	25 ⁵ / ₁₆ × 66 ¹ / ₂	26 ⁵ / ₁₆ × 67 ¹ / ₂
AFDO3070	S	34 ¹¹ / ₁₆ × 81 ³ / ₁₆	25 ⁵ / ₁₆ × 68 ¹ / ₂	26 ⁵ / ₁₆ × 69 ¹ / ₂
AFDO3073	S	34 ¹¹ / ₁₆ × 84 ³ / ₁₆	25 ⁵ / ₁₆ × 71 ¹ / ₂	26 ⁵ / ₁₆ × 72 ¹ / ₂
AFDO3080	S	34 ¹¹ / ₁₆ × 93 ³ / ₁₆	25 ⁵ / ₁₆ × 80 ¹ / ₂	26 ⁵ / ₁₆ × 81 ¹ / ₂
AFDO3083	S	34 ¹¹ / ₁₆ × 96 ³ / ₁₆	25 ⁵ / ₁₆ × 83 ¹ / ₂	26 ⁵ / ₁₆ × 84 ¹ / ₂
AFDO3268	S	36 ¹¹ / ₁₆ × 77 ³ / ₁₆	27 ⁵ / ₁₆ × 64 ¹ / ₂	28 ⁵ / ₁₆ × 65 ¹ / ₂
AFDO32610	S	36 ¹¹ / ₁₆ × 79 ³ / ₁₆	27 ⁵ / ₁₆ × 66 ¹ / ₂	28 ⁵ / ₁₆ × 67 ¹ / ₂
AFDO3270	S	36 ¹¹ / ₁₆ × 81 ³ / ₁₆	27 ⁵ / ₁₆ × 68 ¹ / ₂	28 ⁵ / ₁₆ × 69 ¹ / ₂
AFDO3273	S	36 ¹¹ / ₁₆ × 84 ³ / ₁₆	27 ⁵ / ₁₆ × 71 ¹ / ₂	28 ⁵ / ₁₆ × 72 ¹ / ₂
AFDO3280	S	36 ¹¹ / ₁₆ × 93 ³ / ₁₆	27 ⁵ / ₁₆ × 80 ¹ / ₂	28 ⁵ / ₁₆ × 81 ¹ / ₂
AFDO3283	S	36 ¹¹ / ₁₆ × 96 ³ / ₁₆	27 ⁵ / ₁₆ × 83 ¹ / ₂	28 ⁵ / ₁₆ × 84 ¹ / ₂

E-Series Hinged Outswing Doors (March 2018 to Present)

Single, 2-Panel and Stationary

Panels - Stationary / Sidelight

Stationary / Sidelight Panels



Low-E4® Triple-Pane



Low-E4® Enhanced Triple-Pane



Low-E4® HeatLock™



Low-E4® SmartSun™ HeatLock™



Low-E4® SmartSun™



Low-E4® SmartSun™ Triple-Pane



Low-E4® Enhanced Triple Pane HeatLock™



Low-E4® SmartSun™ Enhanced Triple Pane HeatLock™



Low-E4® SmartSun™ Enhanced Triple Pane HeatLock™



TEMPERED
UA SGCC XXXX
16 CFR 1201 II
ANSI Z97.1 2009
CIG-XX Xmm MM/DD/YR
CAN/CGSB 12.1-M90

Note:

Tempered safety glass is standard on patio doors. Replacement panel for standard and custom-sized doors can be configured through iQ+. Panel includes weatherstrip. See [Service Guide xxxxxxxx](#).

Exterior color options

Interior species/finish/color options

Glass options (See Logo/Etching Examples):

Low-E4®	Low-E4® HeatLock	Low-E4® Triple-Pane
Low-E4® SmartSun™	Low-E4® Smart-Sun HeatLock	Low-E4® Smart-Sun Triple-Pane
Low-E4® Passive Sun	Low-E4® Sun HeatLock	Low-E4® Enhanced Triple-Pane
Low-E4® Sun	Low-E4® HeatLock Tempered	Low-E4® Smart-Sun Enhanced Triple-Pane
Low-E4® Tempered	Obscure	Low-E4® Enhanced Triple-Pane HeatLock
Low-E4® SmartSun Tempered	Cascade	Low-E4® Smart-Sun Enhanced Triple-Pane HeatLock
Low-E4® Passive Sun Tempered	Fern	
Low-E4® Sun Tempered	Reed	

To order, state:

Product ID (from product label, see [Service Guide 9051877](#))

OR

1. Unit or frame size (AFDO XXXX or frame W x H dimensions)
2. Description of part (Stationary/Sidelight Panel)
3. Panel Style (Traditional, Contemporary)
4. **Panel Options** (Mid-Rail)
5. Exterior color of panel
6. Interior wood species of panel
7. Interior finish/color of panel
8. Glazing

Shared Panel Parts

Glass Stops

Note:

See [species/finish/color options](#).

To order, state:

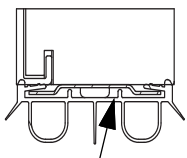
1. Description of Part (Glass Stop)
2. Profile (Ovolo, Contemporary)
3. Species/finish/color
4. Length
5. Quantity
6. Product ID (from product label, see [page 12](#))
7. Options Desired (if different than original product)

Weatherstrip

Door Sweep / 74"

Note:

Secures to bottom of panel.



ADA SILL OR NO SILL

Dark Bronze

0018164

Weatherstrip / Bulb

Note:

Secures to top of active panel.



Unit No.

Color

Length

Order No.

AFDO

White

120"

9103912

300"

9103816

Black

120"

9103913

300"

9103817

Weatherstrip / Panic Cap / 96" & 108" Ref. No. 17 [page 16](#)

Note:

Secures to side of panic system.

Order No.

By description

E-Series Hinged Outswing Doors (March 2018 to Present)

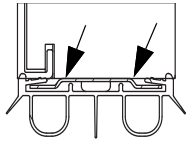
Single, 2-Panel and Stationary

Shared Panel Parts

Receiver Strip

Receiver Strip w / No Holes / 36"

Note:
Secures to bottom of panel.



ADA SILL OR NO SILL

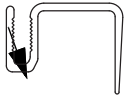
Order No.

0018493

Panel Cap

Panel Cap

Note:
Secures to top of active and passive panel.



Order No.

By description

Panel Cap Screw

	Description	Finish	Order No.
	#7 x 7/8 PFHSMS Type AB	Stainless Steel	0015746

Glass

Glass

Glass

Note:
Replacement glass is made to order and can be configured through iQ+. Current glazings replace previous vintage glazings. Product ID label is located on the head jamb. Glass ships with sealant and spacers. See [Accessory Guide 9176386](#).

Exterior color options:
Interior species/finish/color options:
Glass options (See Logo/Etching Examples):

Low-E4®	Low-E4® HeatLock	Low-E4® SmartSun HeatLock
Low-E4® SmartSun™	Low-E4® Smart-Sun HeatLock	Low-E4® Triple-Pane
Low-E4® Passive Sun	Low-E4® Sun Heat-Lock	Low-E4® Smart-Sun Triple-Pane
Low-E4® Sun 3	Low-E4® HeatLock Tempered	Low-E4® Enhanced Triple-Pane
Low-E4® Tempered	Dual Pane Clear	Low-E4® Smart-Sun Enhanced Triple-Pane
Low-E4® SmartSun Tempered	Cascade	Low-E4® Enhanced Triple-Pane Heat-Lock
Low-E4® Passive Sun Tempered	Fern	Low-E4® Smart-Sun Enhanced Triple-Pane HeatLock
Low-E4® Sun Tempered	Reed	

To order, state:
Product ID (from product label, see [Service Guide 9051877](#))
OR

- Unit or frame size (AFDO XXXX or frame W x H dimensions)
- Description of part (Low-E4® Glass)
- Glazing/Grille type
- Glass Stop Type (Ovolo, Contemporary)
- Manufacturing Date

TEMPERED UA
16 CFR 1201 II
ANSI Z97.1-2009

SGCC XXXX
CIG-XX Xmm MM/DD/YR
CAN/CGSB 12.1-M90

E-Series Hinged Outswing Doors (March 2018 to Present)

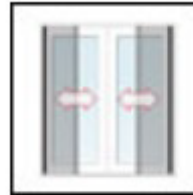
Single, 2-Panel and Stationary

Insect Screens

Insect Screen Graphic - Concealed (Retractable)

Note:

Available as a configured item in iQ+. Charcoal fiberglass screen mesh.



Retractable

E-Series Hinged Outswing Door Concealed (Retractable) Insect Screen

Grilles

Grille Options

Note:

Replacement sash with permanently applied grilles and finelight grilles can be configured in iQ+. Replacement removable interior grilles can be configured in iQ+. Removable grilles are only available in 7/8" profile.

Types



Full Divided Light

Give any window an authentic look with full divided light grilles that are permanently applied to the interior and exterior of your window with a spacer between the glass.



Simulated Divided Light

An economical solution with traditional beauty, our Simulated Divided Light features fixed exterior and interior grilles without an internal spacer.



Removable Interior Wood Grilles

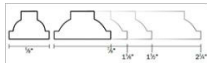
Our removable wood grilles are installed on the interior surface. They are available with an optional surround and an optional permanently applied exterior grille.



Finelight™ Grilles-Between-the-Glass

Aluminum grilles conveniently placed between two panes of glass make the glass easy to clean inside and out.

Profiles



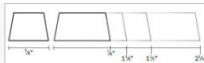
Interior Wood: Ovolo (Colonial)

Widths:

- 5/8"
- 7/8"
- 1 1/8"
- 1 1/2"
- 2 1/4"

Available with:

- Full Divided Light
- Simulated Divided Light



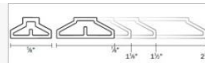
Interior Wood: Contemporary

Widths:

- 5/8"
- 7/8"
- 1 1/8"
- 1 1/2"
- 2 1/4"

Available with:

- Full Divided Light
- Simulated Divided Light



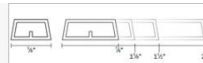
Exterior Aluminum: Chamfer

Widths:

- 5/8"
- 7/8"
- 1 1/8"
- 1 1/2"
- 2 1/4"

Available with:

- Full Divided Light
- Simulated Divided Light
- Removable Interior Wood with Optional Permanently Applied Exterior Grille



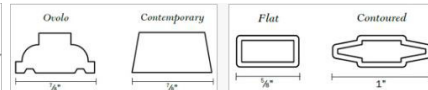
Exterior Aluminum: Contemporary

Widths:

- 5/8"
- 7/8"
- 1 1/8"
- 1 1/2"
- 2 1/4"

Available with:

- Full Divided Light
- Simulated Divided Light
- Removable Interior Wood with Optional Permanently Applied Exterior Grille



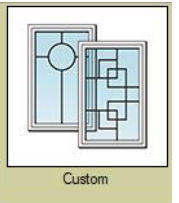
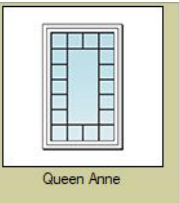
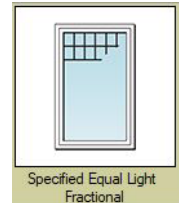
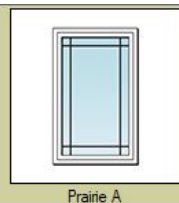
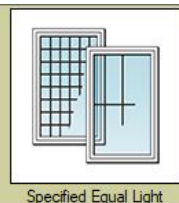
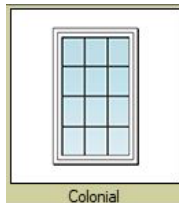
Removable Interior Wood Grilles

Ovolo or Contemporary profiles in 7/8" width

Finelight Grille Profiles and Widths

Flat or Contoured profiles in 5/8" or 1" widths

Patterns



E-Series Hinged Outswing Doors (March 2018 to Present)

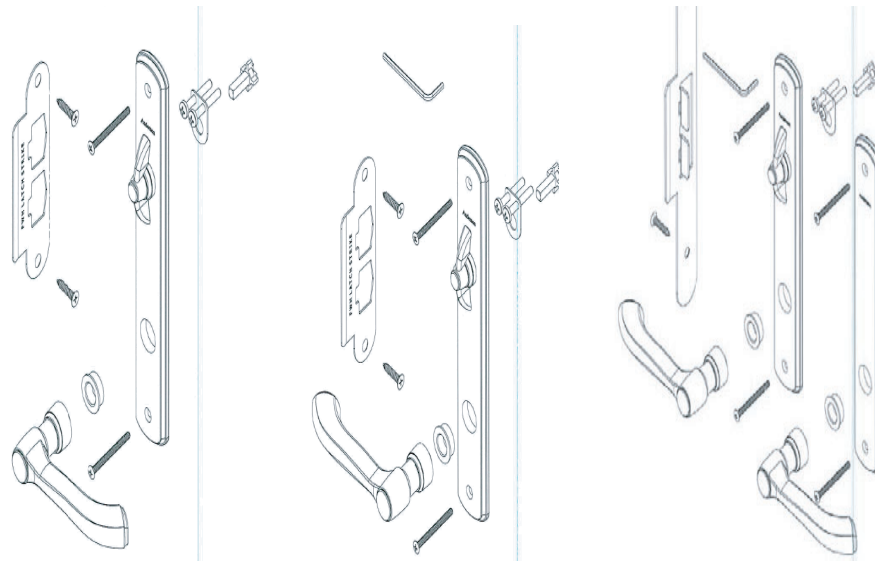
Single, 2-Panel and Stationary

Hardware

Andersen® Half Trim Set Kits - Interior

Note:

Interior half trim sets are available for Newbury®, Covington®, Encino®, Yuma®, Anvers®, Whitmore®, Tribeca®, and Albany Hardware.



XXXX Style Shown

Sets include:	AR	AL	AP/PA
Handle, RH Hinged*	NA	1	1
Handle, LH Hinged*	1	NA	1
Plate, Escutcheon, Inside Active Hinged	1	1	1
Turn Knob	1	1	1
Bushing Trim Adaptor	1	1	2
Screw, 1/4-20 UNC SS, KNURL CUP PT SET	1	1	2
Limiting Plate	1	1	1
Actuator, Lock	1	1	1
Screw, #10 Fill HD, PH, M5X.8-35MM, Zinc	2	2	2
Screw, #8-32UNC x 2, PH Oval HD, MACH	2	2	4
1/8 Allen Wrench	1	1	1
Plate, Escutcheon, Inside Passive Hinged	NA	NA	1
Strike, Plate Single	1	1	NA
Screw, #10 x 1.000 PH FH S/M/S	2	2	2
Strike, Plate Double	NA	NA	1

*Pack has a RH handle for an active left door and a LH handle for an active right door and both for AP/PA.

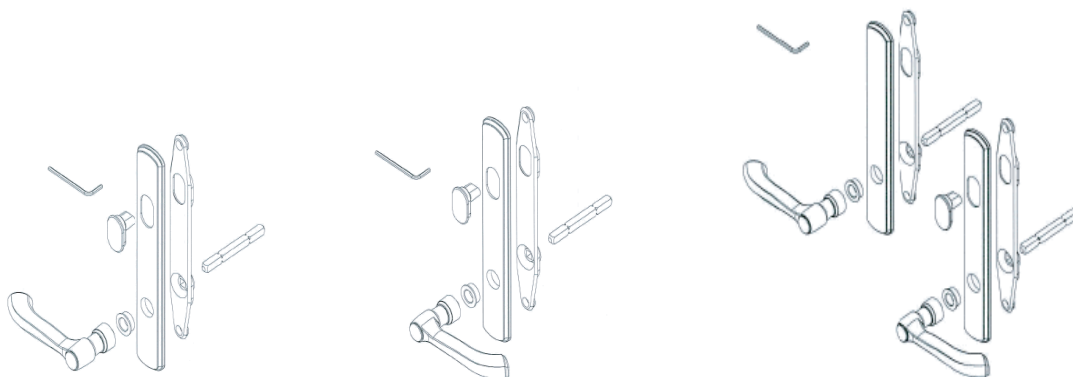
Hardware

Andersen® Half Trim Set Kits - Exterior

Note:

Exterior half trim sets are available for Newbury®, Covington®, Encino®, Yuma®, Anvers®, Whitmore®, Tribeca®, and Albany Hardware.

Tribeca® includes threaded studs.



Albany Style Shown

Sets include:	AR	AL	AP/PA
Handle, RH Hinged*	1	N/A	1
Handle, LH Hinged*	N/A	1	1
Plate, Outside Active	1	1	1
Gasket, Trimset	1	1	2
Straight Spindle	1	1	2
Screw, 1/4-20 UNC SS, KNURL CUP PT SET	1	1	2
Cylinder, Dummy	1	1	1
Plate, Outside Passive	N/A	N/A	1
Bushing Trim Adapter	1	1	2
1/8 Allen Wrench	1	1	1

*Pack has a LH handle for an active left door and a RH handle for an active right door and both for AP/PA.

E-Series Hinged Outswing Doors (March 2018 to Present)

Single, 2-Panel and Stationary

Hardware

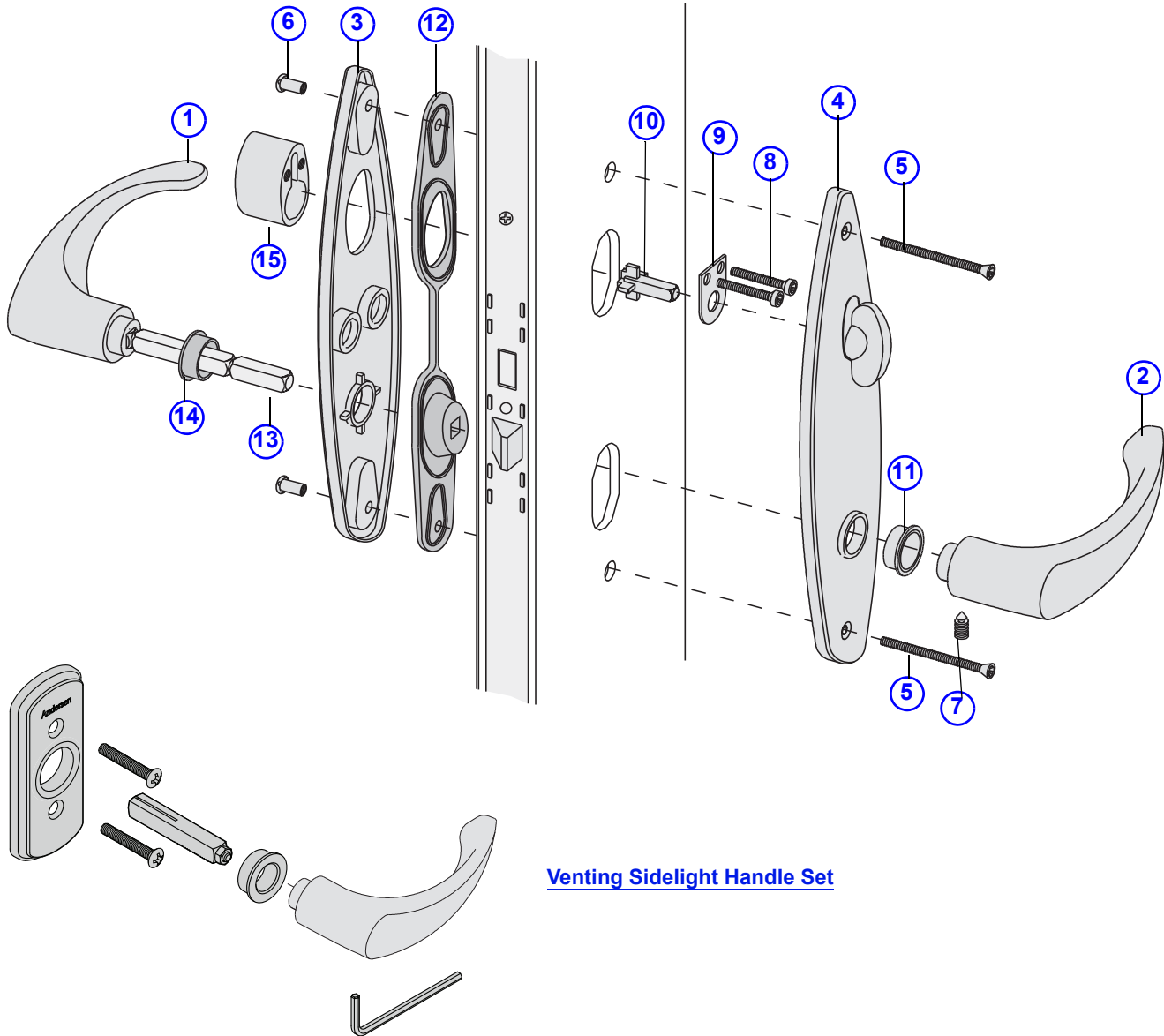
Construction Trim Set		
Construction Trim Set - Active		
	Kit Includes: (1) Plate, passive outside (1) Plate, active inside (assembly) (1) Handle, exterior (assembly) (1) Handle, interior (assembly) (1) Actuator, lock (assembly) (1) Plate, limiting (2) Screws, M5 X .8-35MM PH w/#10 Fill Head Machine, Zinc (1) Retainer, bolt (2) Studs, tapped (2) Screws, #8-32 UNC X 1.625, PH W/#10 Oval Head, Machine (1) Wrench, Allen, 1/8 (1) Guide and instructions	Order No. 9020356
Construction Trim Set - Passive		
	Kit Includes: (1) Plate, passive outside (1) Handle, exterior (assembly) (1) Handle, interior (assembly) (2) Studs, tapped (2) Screws, #8-32 UNC X 1.625, PH W/#10 Oval Head, Machine (1) Wrench, Allen, 1/8 (1) Guide and instructions	Order No. 9020357

Hardware

Andersen® Hardware - Tribeca®

Note:

See [Accessory Guide 0005156](#) for Active Hardware. See [Accessory Guide 9172158](#) for venting sidelight handle set.
 *Strike plate "cover" shown is not used (page six from Accessory Guide 0005156) as strike is factory installed.



Venting Sidelight Handle Set

- | | | |
|---|--|--|
| 1. Exterior Handle (LH Shown) | 6. Escutcheon Plate Mounting Studs | 11. Interior Nylon Bushing |
| 2. Interior Handle (RH Shown) | 7. Handle Set Screw (Package) | 12. Trim Set Gasket |
| 3. Active Exterior Escutcheon Plate | 8. Key Cylinder Mounting Bolts | 13. Spindle |
| 4. Active Interior Escutcheon Plate | 9. Lock Limiting Plate | 14. Exterior Nylon Bushing |
| 5. Escutcheon Plate Bolts | 10. Lock Actuator | 15. Dummy Cylinder |

Tribeca® Hinged Patio Door Hardware - Single Trim Set & Handle Set

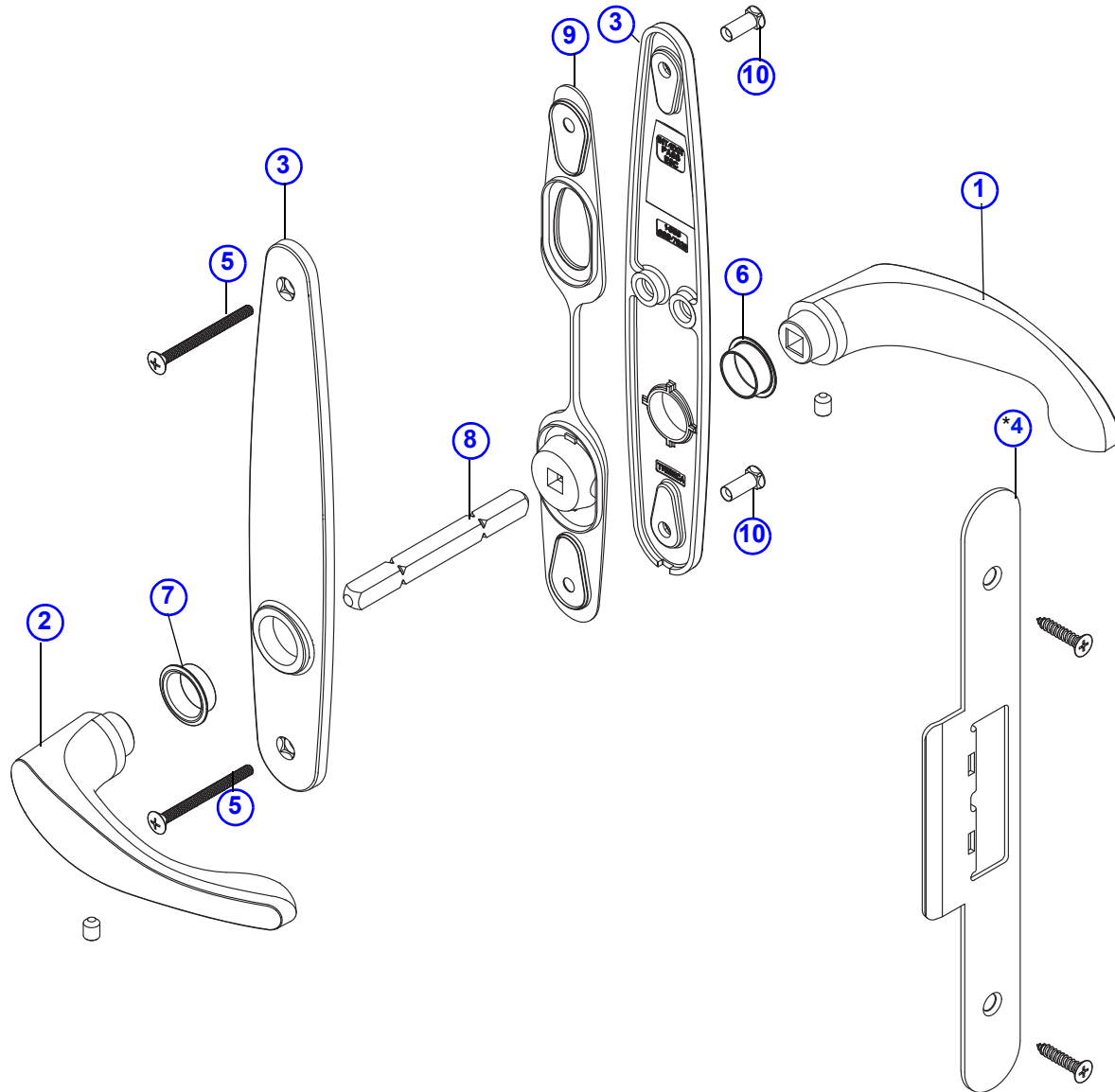
E-Series Hinged Outswing Doors (March 2018 to Present)

Single, 2-Panel and Stationary

Hardware

Tribeca® Hardware - Passive Hardware Illustration

Note: Additional parts with Double Hardware Set



1. [Exterior Handle \(LH Shown\)](#)
2. [Interior Handle \(RH Shown\)](#)
3. [Passive Exterior/Interior Escutcheon Plate](#)
4. [*AP/PA Strike Plate](#)
5. [Escutcheon Plate Bolts](#)

6. [Exterior Nylon Bushing](#)
7. [Interior Nylon Bushing](#)
8. [Spindle](#)
9. [Trim Set Gasket](#)
10. [Escutcheon Plate Mounting Studs](#)

Tribeca® Hinged Patio Door Hardware - Double Trim Set

Hardware

Complete Trim Set - Tribeca® / Interior and Exterior See Illustration [page 38](#) and [page 39](#)

Note:
Venting Sidelight is a “handle set” that only includes interior handle, interior escutcheon plate and fasteners.

Finish	Single	Double AP/PA	Venting Sidelight	
			LH	RH
Stone	2577557	2577558		
White	2577555	2577556	9172408	9172409
Black	9184681	9184682		

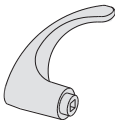

Trim Set - Tribeca® / Interior See Illustration [page 35](#)

Finish	Single		Double AP/PA
	Left	Right	Order No.
Stone	2572662	2572772	2572663
White	2572660	2572771	2572661
Black	9184670	9184673	9184671




Trim Set - Tribeca® / Exterior See Illustration [page 36](#)

Finish	Single		Double AP/PA
	Left	Right	Order No.
Stone	2572603	2572750	2572604
White	2572601	2572749	2572602
Black	9184668	9184672	9184669

Lever Handle with Screws - Tribeca® Ref. No. 1 and 2 [page 38](#) and [page 39](#)

 Left Hand  Right Hand	Finish	Left	Right
	Stone	2579848	2579849
	White	2579835	2579836
	Black	9184685	9184686

Escutcheon Plate - Tribeca® Ref. No. 3 and 4 [page 38](#) and [page 39](#)

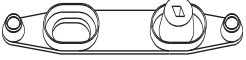
 Active Interior  Active Exterior  Passive	Finish	Active Interior	Active Exterior	Passive Interior/ Exterior
	Stone	2579852	2579854	2579853
	White	2579839	2579841	2579840
	Black	9184687	9184689	9184688

E-Series Hinged Outswing Doors (March 2018 to Present)

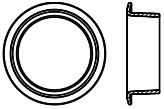
Single, 2-Panel and Stationary

Hardware

Gasket - Trim Set / Tribeca® Ref. No. 12 & 12 [page 38](#) and [page 39](#)

	Note: Use for Tribeca® trim set.	Order No.
		2962513

Bushing - Tribeca® Ref. No. 14 [page 38](#) and [page 39](#)

Note: Made of Nylon. Tribeca® handles made prior to November 2020 use this bushing. If replacing this vintage of bushing you will need to order the current trim set screw pack (includes bushing), handle and escutcheon plate. Tribeca® handles made November 2020 - present use bushing included in current trim set screw pack page 87		
		Clear
		N/A

Dummy Cylinder - Lock Set / Tribeca® Ref. No. 15 [page 38](#)

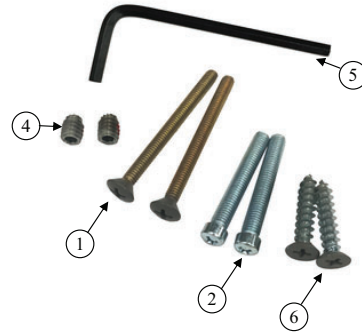
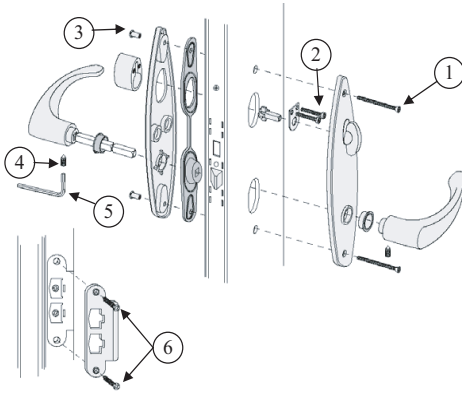
Note: Use for Tribeca® trim sets.			
		Finish	Order No.
		Stone	2579860
		White	2579847
		Black	9184691

Escutcheon Plate Bolt with Stud / Tribeca®

	Description 2 - #8 - 32 x 2 PH OH MS YZP 2 - threaded studs	Finish	Order No.
		Stone	2579855
		White	2579842
		Black	9184690

Hardware

Screw Package - Trim Set / Tribeca®



Note:

Threaded stud shown as #3 not included with this kit. See escutcheon plate bolt with stud as shown above.

Ref. No.	Package Includes	Finish	Stone
		1	2 - screw, # 8 - 32 x 2 PH OH MS YZP
2	2 - screw, 5mm x 35 PH Pan MS YXP	White	2579766
6	2 - screw, #10 x 1" PH FH S/M/S	Black	9184684
4	2 - screw, 1/4 - 20 UNC SS knurled cup point set		
5	1 - 1/8 allen wrench		

E-Series Hinged Outswing Doors (March 2018 to Present)

Single, 2-Panel and Stationary

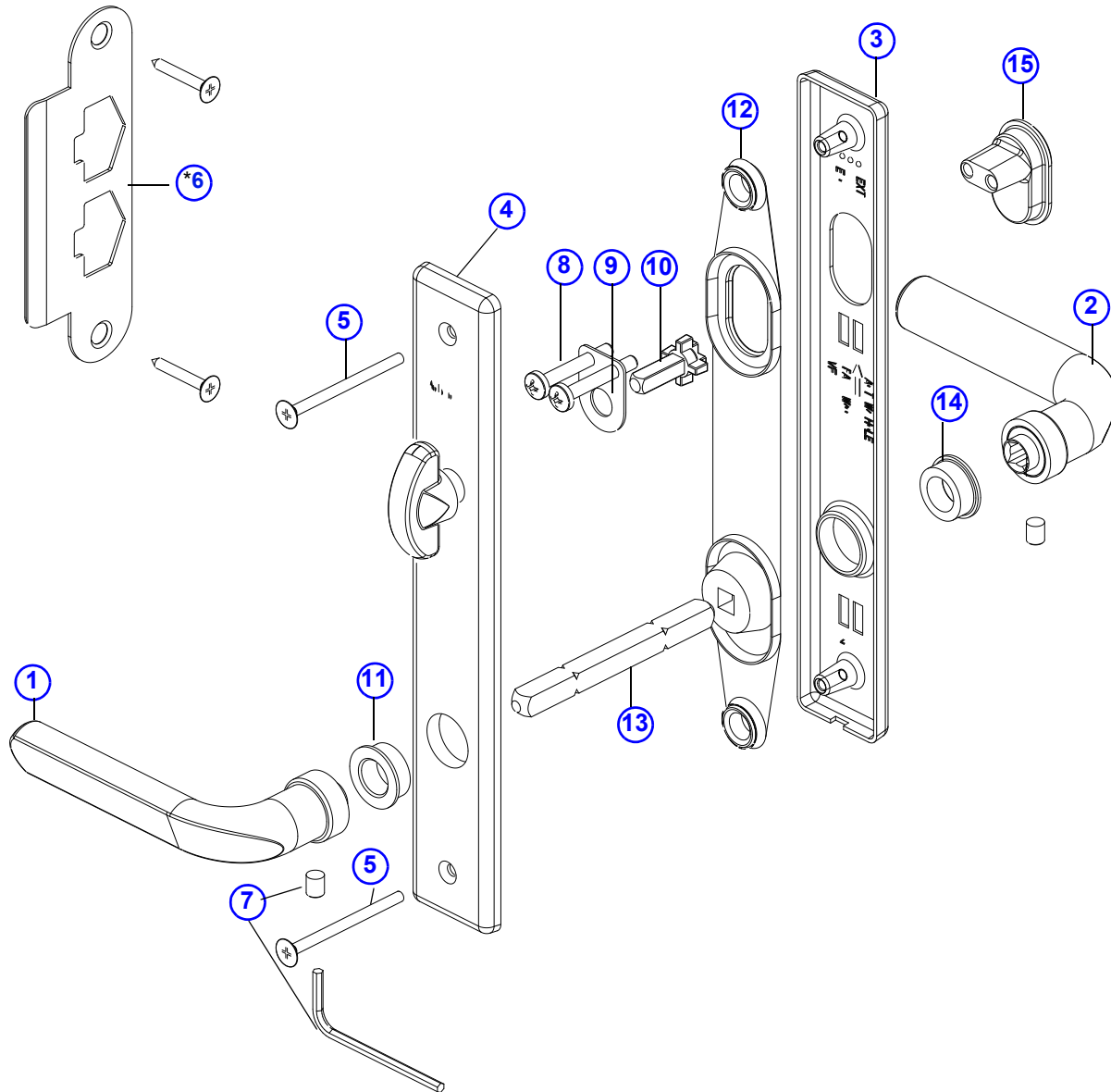
Hardware

Andersen® Hardware - Anvers®

Note:

See [Accessory Guide 0005156](#) for Active Hardware.

*Strike plate "cover" shown is not used (page six from Accessory Guide 0005156) as strike is factory installed.



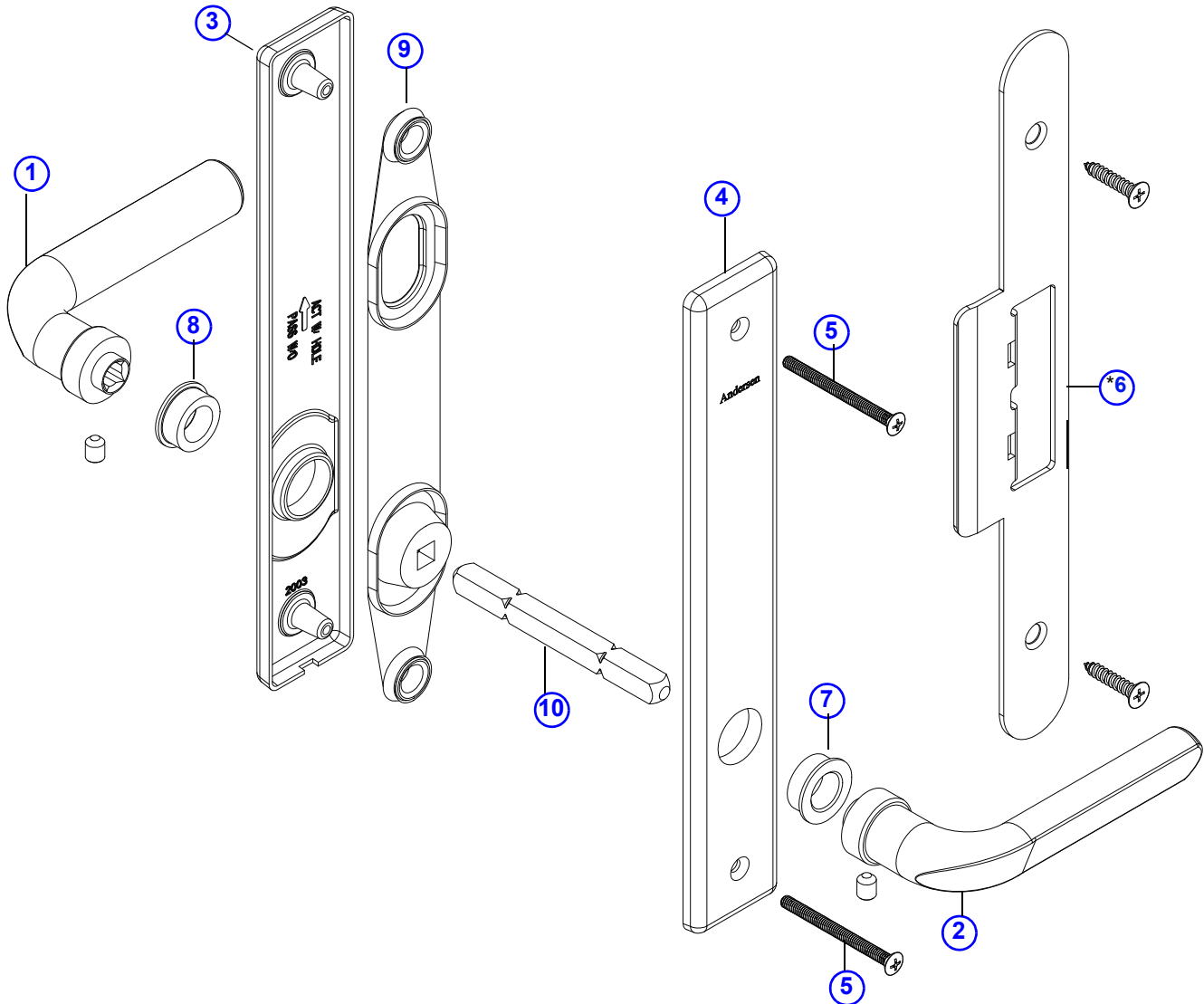
- | | | |
|---|--|--|
| 1. Interior Handle (LH Shown) | 6. *Strike Plate | 11. Interior Nylon Bushing |
| 2. Exterior Handle (RH Shown) | 7. Handle Set Screw (Package) | 12. Trim Set Gasket |
| 3. Active Exterior Escutcheon Plate | 8. Key Cylinder Mounting Bolts | 13. Spindle |
| 4. Active Interior Escutcheon Plate | 9. Lock Limiting Plate | 14. Exterior Nylon Bushing |
| 5. Escutcheon Plate Bolts | 10. Lock Actuator | 15. Dummy Cylinder |

Anvers® Hinged Patio Door Hardware - Single Trim Set

Hardware

Anvers® Hardware - Passive Hardware Illustration

Note: Additional parts with Double Hardware Set



- | | |
|--|---|
| 1. Exterior Handle (LH Shown) | 6. *AP/PA Strike Plate |
| 2. Interior Handle (RH Shown) | 7. Interior Nylon Bushing |
| 3. Passive Exterior Escutcheon Plate | 8. Exterior Nylon Bushing |
| 4. Passive Interior Escutcheon Plate | 9. Trim Set Gasket |
| 5. Escutcheon Plate Bolts | 10. Spindle |

Anvers® Hinged Patio Door Hardware - Double Trim Set

E-Series Hinged Outswing Doors (March 2018 to Present)

Single, 2-Panel and Stationary

Hardware

Complete Trim Set - Anvers® / Interior and Exterior See Illustration page 43 and page 44			
	Finish	Single	Double AP/PA
	Bright Brass	2578913	2578914
	Oil Rubbed Bronze	2578917	2578918
	Satin Nickel	2578915	2578916

Trim Set - Anvers® / Interior See Illustration page 35				
	Finish	Single		Double AP/PA
		Left	Right	Order No.
	Bright Brass	2572676	2572779	2572677
	Oil Rubbed Bronze	2572686	2572784	2572687
	Satin Nickel	2572692	2572787	2572693

Trim Set - Anvers® / Exterior See Illustration page 36				
	Finish	Single		Double AP/PA
		Left	Right	Order No.
	Bright Brass	2572632	2572757	2572633
	Oil Rubbed Bronze	2572642	2572762	2572643
	Satin Nickel	2572648	2572765	2572649

Handle with Screws - Anvers® Ref. No. 1 and 2 page 43 and page 44			
	Finish	Left	Right
	Bright Brass	2573719	2573720
	Oil Rubbed Bronze	2573721	2573722
	Satin Nickel	2573723	2573724

Escutcheon Plate - Anvers® / Exterior Ref. No. 3 page 43 and page 44			
	Finish	Active	Passive
	Bright Brass	2573741	2573742
	Oil Rubbed Bronze	2573745	2573746
	Satin Nickel	2573749	2573750

Escutcheon Plate - Anvers® / Interior Ref. No. 4 page 43 and page 44			
	Finish	Active	Passive
	Bright Brass	2573739	2573740
	Oil Rubbed Bronze	2573743	2573744
	Satin Nickel	2573747	2573748

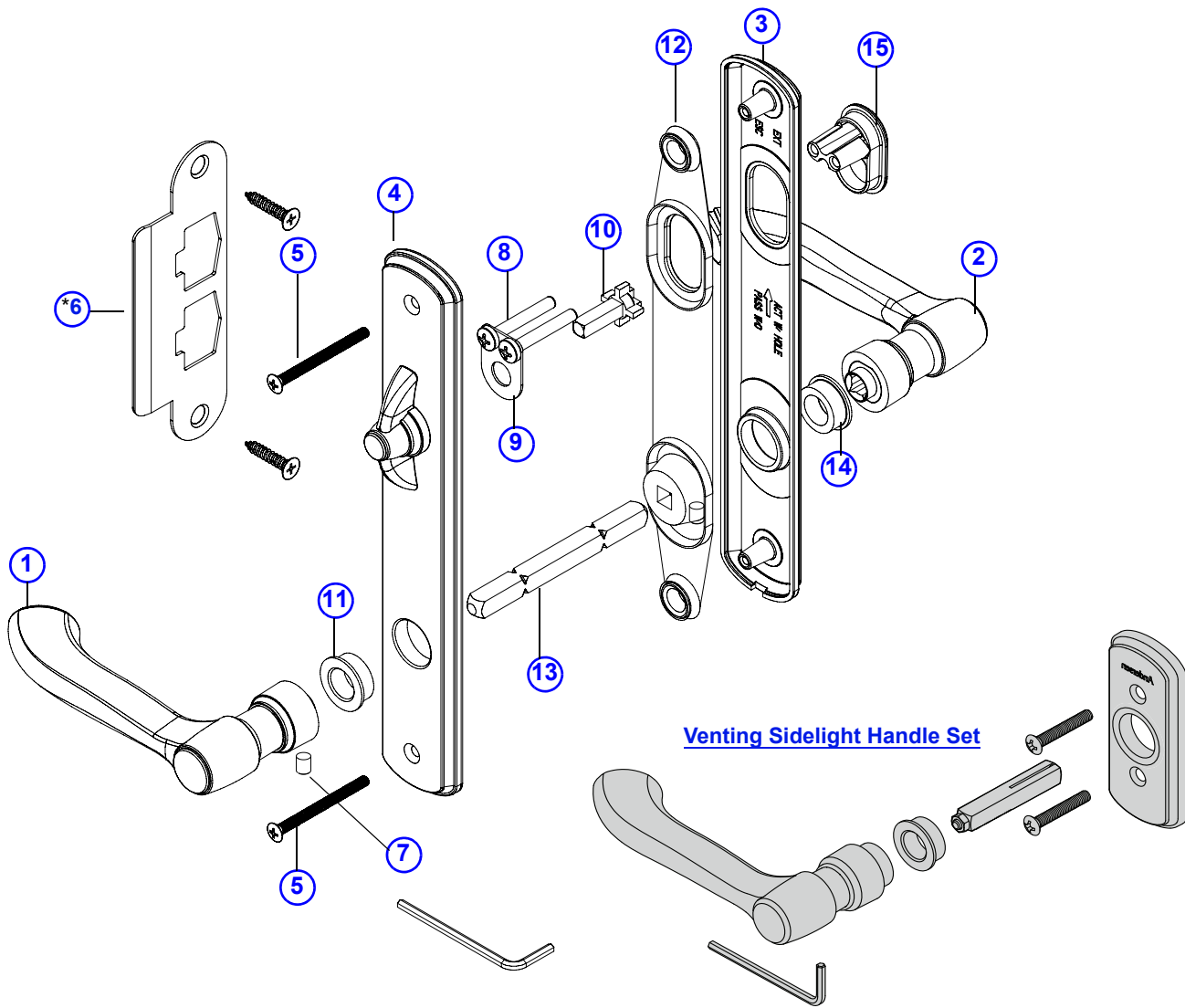
Hardware

Andersen® Hardware - Albany

Note:

See [Accessory Guide 0005156](#) for Active Hardware. See [Accessory Guide 9172158](#) for venting sidelight handle set.
 *Strike plate “cover” shown is not used (page six from Accessory Guide 0005156) as strike is factory installed.

Albany Hardware - Single Trim Set Illustration



- | | | |
|--|--|--|
| 1. Interior Handle (LH Shown) | 6. *Strike Plate | 11. Interior Nylon Bushing |
| 2. Exterior Handle (RH Shown) | 7. Handle Set Screw (Package) | 12. Trim Set Gasket |
| 3. Passive Exterior Escutcheon Plate | 8. Key Cylinder Mounting Bolts | 13. Spindle |
| 4. Passive Interior Escutcheon Plate | 9. Lock Limiting Plate | 14. Exterior Nylon Bushing |
| 5. Escutcheon Plate Bolts | 10. Lock Actuator | 15. Dummy Cylinder |

Albany Hardware for Hinged Outswing Doors - Single Trim Set

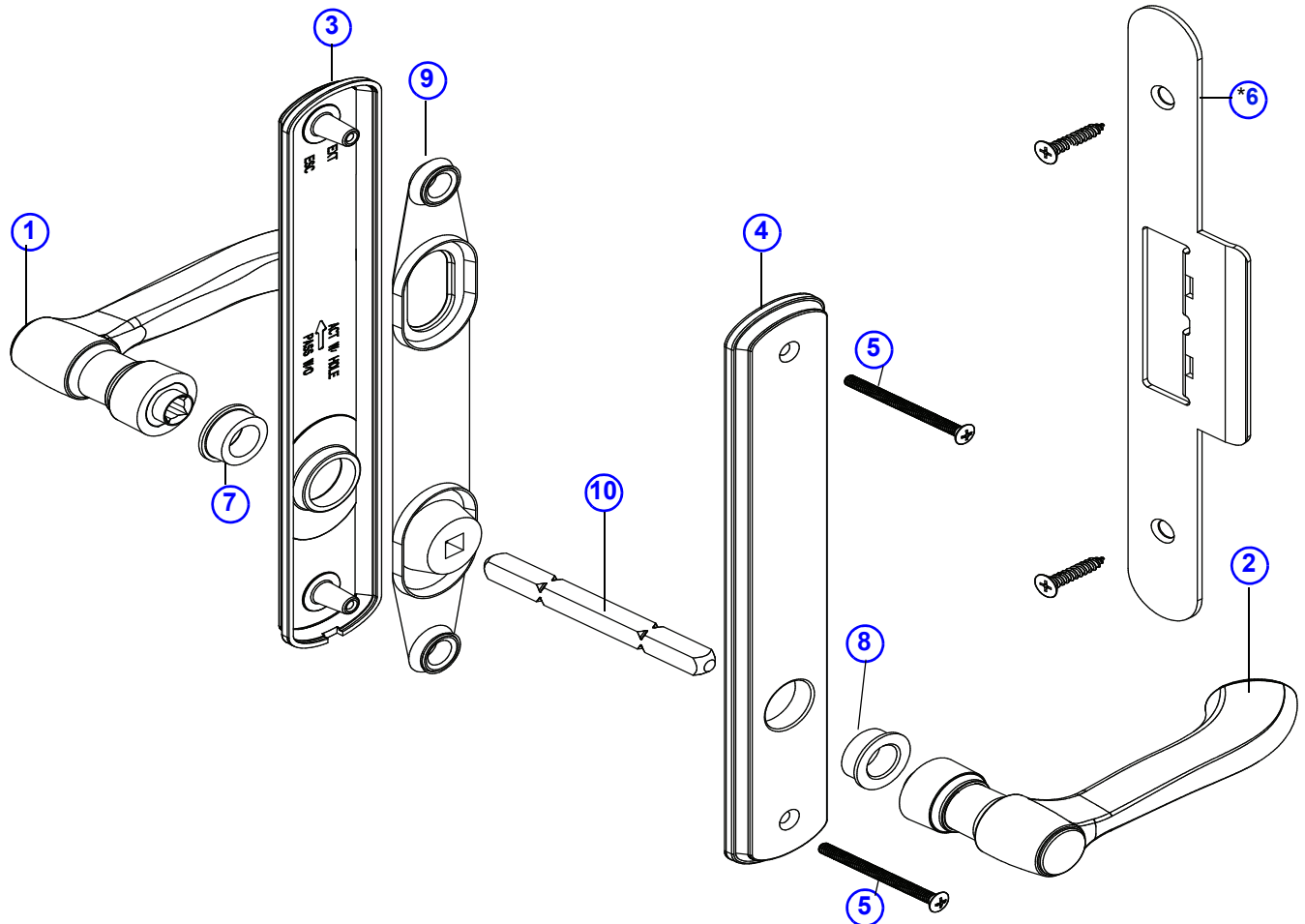
E-Series Hinged Outswing Doors (March 2018 to Present)

Single, 2-Panel and Stationary

Hardware

Albany Hardware - Passive Hardware Illustration

Note: Additional parts with Double Hardware Set



1. [Exterior Handle \(LH Shown\)](#)
2. [Interior Handle \(RH Shown\)](#)
3. [Passive Exterior Escutcheon Plate](#)
4. [Passive Interior Escutcheon Plate](#)
5. [Escutcheon Plate Bolts](#)
6. [*AP/PA Strike Plate](#)
7. [Interior Nylon Bushing](#)
8. [Exterior Nylon Bushing](#)
9. [Trim Set Gasket](#)
10. [Spindle](#)

Albany Hardware for Hinged Outswing Doors - Double Trim Set

Hardware

Complete Trim Set - Interior/Exterior Albany See Illustration page 46 and page 47					
	Finish	Single	Double AP/PA	Venting Sidelight	
				LH	RH
	White	9007546	9007550	9172410	9172411
	Stone	9007547	9007551		
	Gold Dust	N/A	N/A		
	Black	9007549	9007553		

Trim Set - Interior Albany See Illustration page 35				
	Finish	Single		Double AP/PA
		Left	Right	Order No.
	White	9007570	9007578	9007571
	Stone	9007572	9007579	9007573
	Gold Dust	N/A	N/A	N/A
	Black	9007576	9007581	9007577

Trim Set - Exterior Albany See Illustration page 36				
	Finish	Single		Double AP/PA
		Left	Right	Order No.
	White	9007582	9007590	9007583
	Stone	9007584	9007591	9007585
	Gold Dust	N/A	N/A	N/A
	Black	9007588	9007593	9007589

Lever Handle with Screws Albany Ref. No. 1 and 2 page 46 and page 47			
	Finish	Left	Right
	White	9018906	9018907
	Stone	9018908	9018909
	Gold Dust	N/A	N/A
	Black	9018912	9018913

Escutcheon Plate - Interior Albany Ref. No. 4 page 46 and page 47			
	Finish	Active	Passive AP/PA
	White	9018941	9018949
	Stone	9018942	9018950
	Gold Dust	9018943	N/A
	Black	9018944	9018952

Escutcheon Plate - Exterior Albany Ref. No. 3 page 46 and page 47			
	Finish	Active	Passive AP/PA
	White	9018937	9018945
	Stone	9018938	9018946
	Gold Dust	9018939	N/A
	Black	9018940	9018948

E-Series Hinged Outswing Doors (March 2018 to Present)

Single, 2-Panel and Stationary

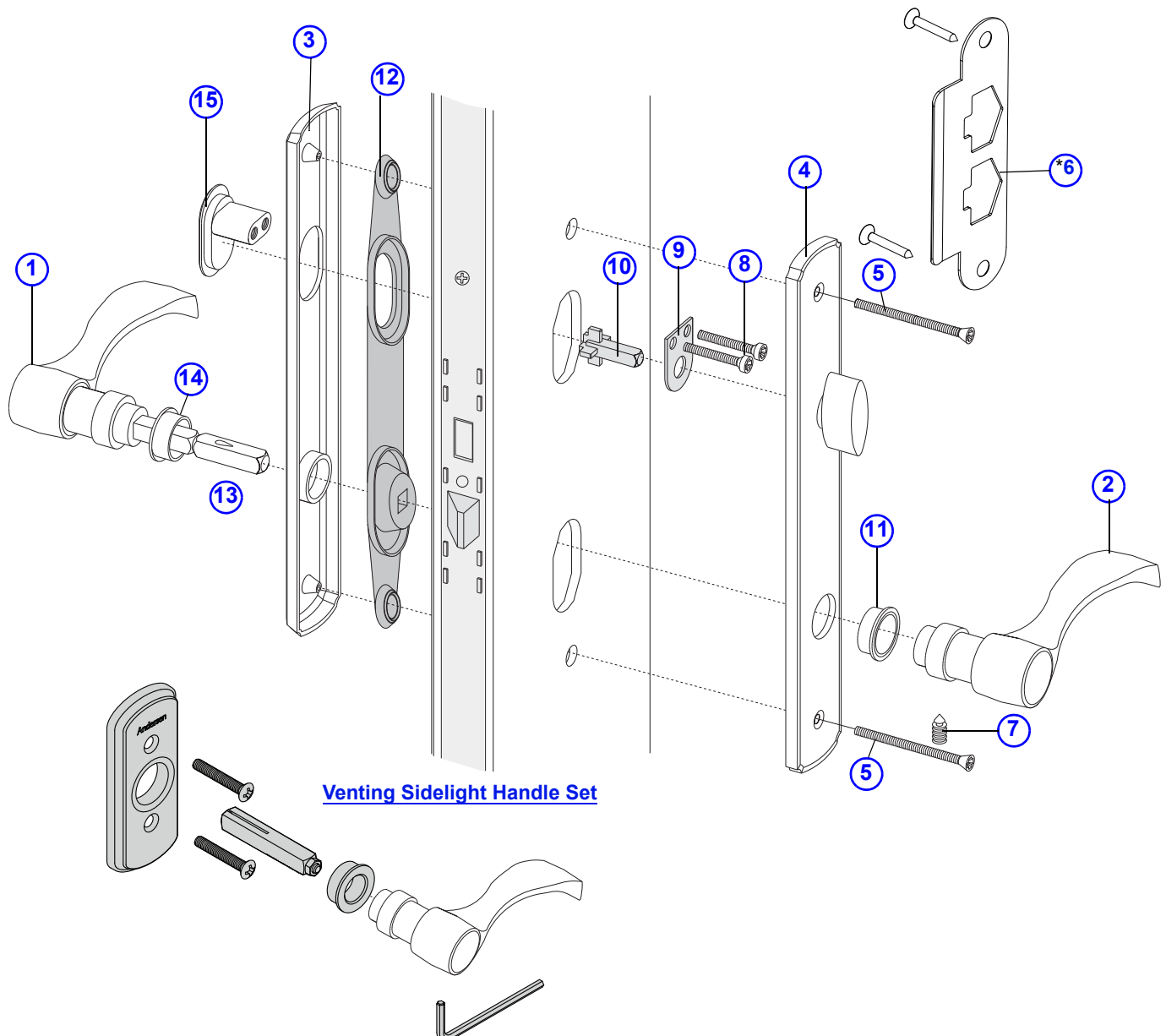
Hardware

Andersen® Hardware - Newbury®

Note:

See [Accessory Guide 0005156](#) for Active Hardware. See [Accessory Guide 9172158](#) for venting sidelight handle set.

*Strike plate "cover" shown is not used (page six from Accessory Guide 0005156) as strike is factory installed.



Venting Sidelight Handle Set

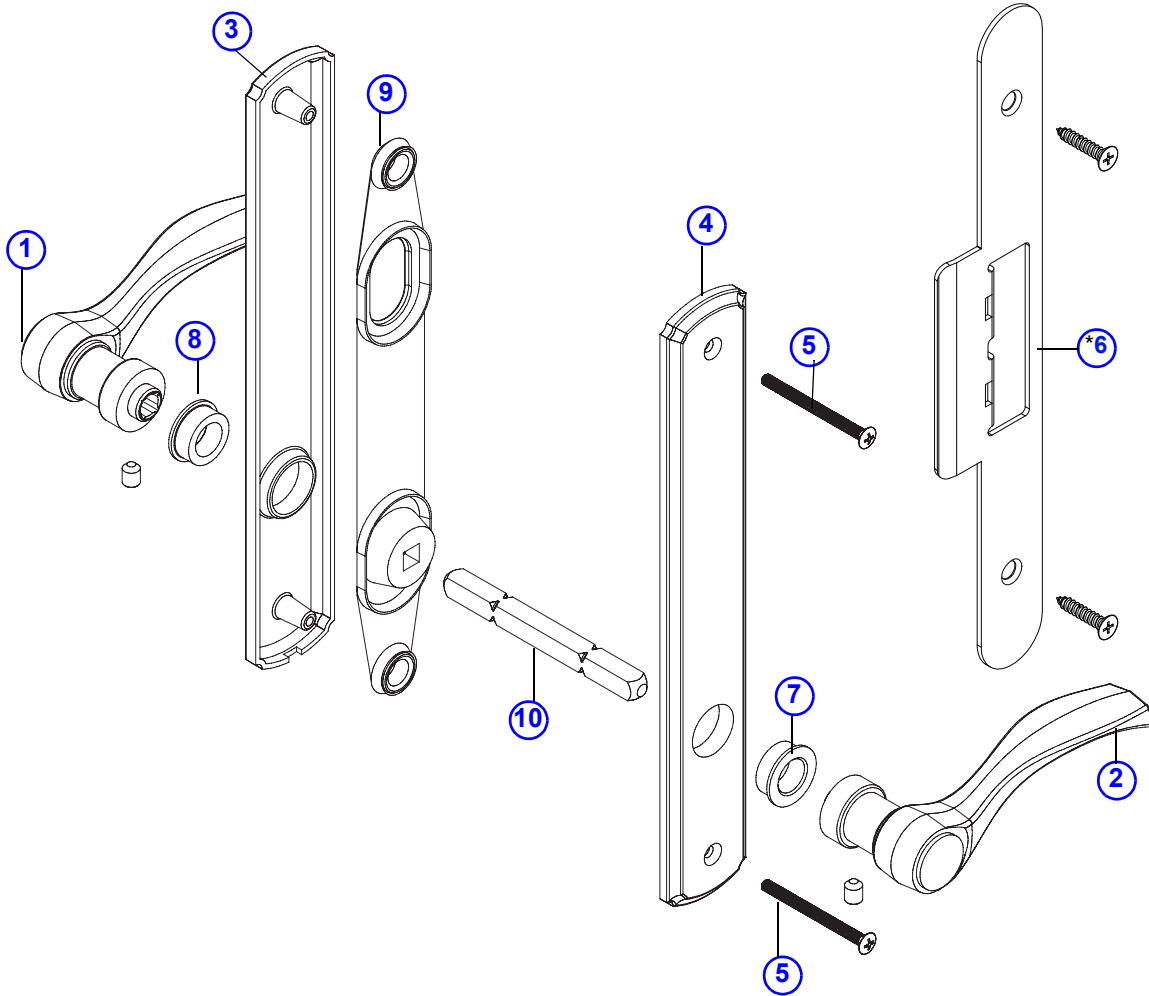
- | | | |
|---|--|--|
| 1. Exterior Handle (LH Shown) | 6. *Strike Plate | 11. Interior Nylon Bushing |
| 2. Interior Handle (RH Shown) | 7. Handle Set Screw (Package) | 12. Trim Set Gasket |
| 3. Active Exterior Escutcheon Plate | 8. Key Cylinder Mounting Bolts | 13. Spindle |
| 4. Active Interior Escutcheon Plate | 9. Lock Limiting Plate | 14. Exterior Nylon Bushing |
| 5. Escutcheon Plate Bolts | 10. Lock Actuator | 15. Dummy Cylinder |

Newbury® Hardware for Hinged Outswing Doors - Single Trim Set

Hardware

Newbury® Hardware - Passive Hardware Illustration

Note: Additional parts with Double Hardware Set



- | | |
|--|---|
| 1. Exterior Handle (LH Shown) | 6. *AP/PA Strike Plate |
| 2. Interior Handle (RH Shown) | 7. Interior Nylon Bushing |
| 3. Passive Exterior Escutcheon Plate | 8. Exterior Nylon Bushing |
| 4. Passive Interior Escutcheon Plate | 9. Trim Set Gasket |
| 5. Escutcheon Plate Bolts | 10. Spindle |

Newbury® Hardware for Hinged Outswing Doors - Double Trim Set

E-Series Hinged Outswing Doors (March 2018 to Present)

Single, 2-Panel and Stationary

Hardware

Complete Trim Set - Newbury® / Interior and Exterior See Illustration [page 49](#) and [page 50](#)

Note:

Venting Sidelight is a "handle set" that only includes interior handle, interior escutcheon plate and fasteners.

	Finish	Single	Double AP/PA	Venting Sidelight	
				LH	RH
	Antique Brass	2577504	2577521		
	Brushed Chrome	2579746	2579747		
	Chrome	2577501	2577533		
	H.P. Brass	2577543	2577544		
	Oil Rubbed Bronze	2579742	2579743	9172414	9172415
	Satin Nickel	2579443	2579455	9172412	9172413

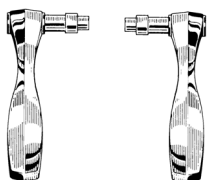
Trim Set - Newbury® / Interior See Illustration [page 35](#)

	Finish	Single		Double AP/PA
		Left	Right	Order No.
	Antique Brass	2572666	2572774	2572667
	Brushed Chrome	N/A	N/A	NA
	Chrome	N/A	N/A	N/A
	H.P. Brass	2572664	2572773	2572665
	Oil Rubbed Bronze	2572672	2572777	2572673
	Satin Nickel	2572674	2572778	2572675

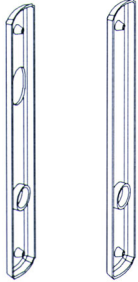
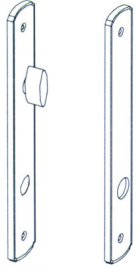
Trim Set - Newbury® / Exterior See Illustration [page 36](#)

	Finish	Single		Double AP/PA
		Left	Right	Order No.
	Antique Brass	2572607	2572752	2572608
	Brushed Chrome	N/A	NA	N/A
	Chrome	N/A	N/A	N/A
	H.P. Brass	2572605	2572751	2572606
	Oil Rubbed Bronze	2572628	2572755	2572629
	Satin Nickel	2572630	2572756	2572631

Handle with Screws - Newbury® Ref. No. 1 and 2 [page 49](#) and [page 50](#)

		Finish	Left	Right
 <p>Right Hand Left Hand</p>	Antique Brass	2579610	2579614	
	Brushed Chrome	N/A	N/A	
	Chrome	2579597	2579598	
	H.P. Brass	2579611	2579612	
	Oil Rubbed Bronze	2579901	2579903	
	Satin Nickel	2579441	2579442	

Hardware

Escutcheon Plate - Newbury® / Exterior Ref. No. 3 page 49 and page 50				
 <p>Active Passive</p>		Finish	Active	Passive
		Antique Brass	2579606	2579680
		Brushed Chrome	2579914	2579916
		Chrome	N/A	2579604
		H.P. Brass	2579605	2579601
		Oil Rubbed Bronze	2579913	2579915
		Satin Nickel	2579449	2579448
Escutcheon Plate - Newbury® / Interior page 49 and page 50				
 <p>Active Passive</p>		Finish	Active	Passive
		Antique Brass	2579602	2579674
		Brushed Chrome	2579912	2579910
		Chrome	2579587	2579603
		H.P. Brass	2579609	2579589
		Oil Rubbed Bronze	2579911	2579909
Satin Nickel	2579446	2579447		

E-Series Hinged Outswing Doors (March 2018 to Present)

Single, 2-Panel and Stationary

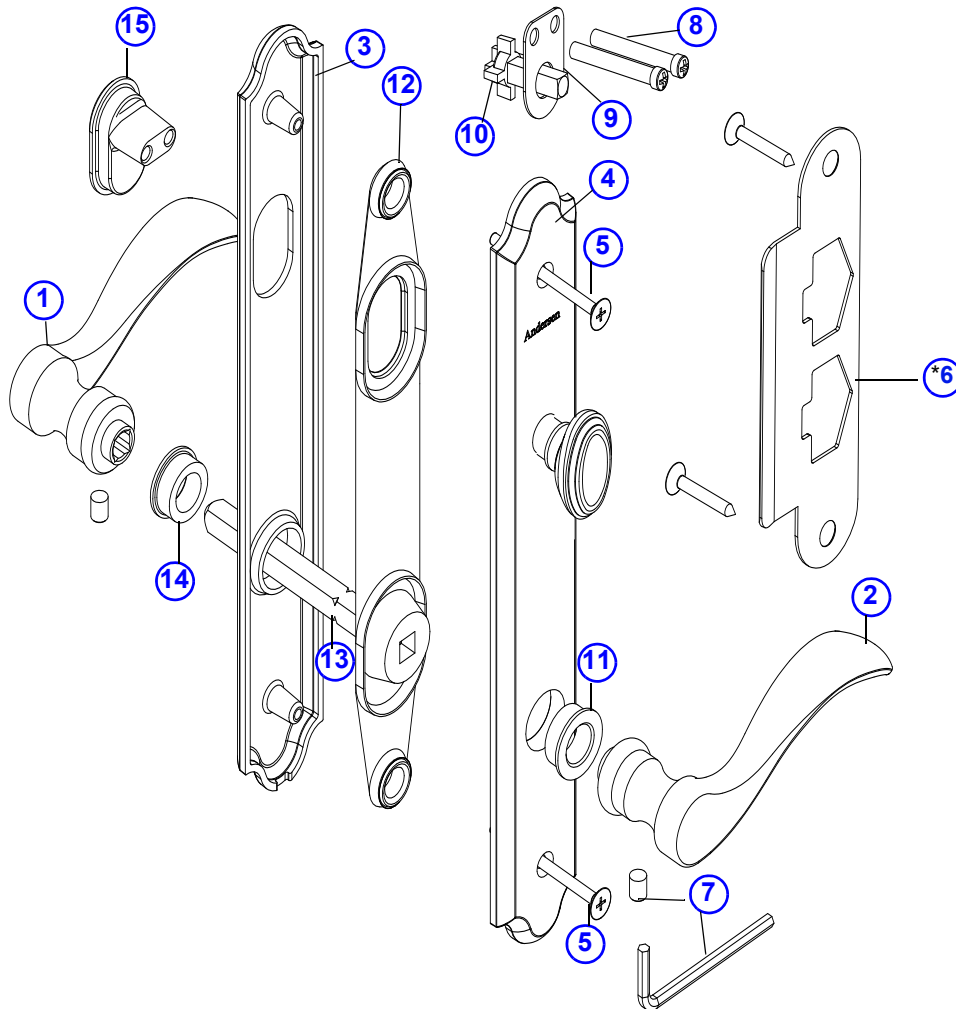
Hardware

Andersen® Hardware - Covington™

Note:

See [Accessory Guide 0005156](#) for Active Hardware.

*Strike plate "cover" shown is not used (page six from Accessory Guide 0005156) as strike is factory installed.



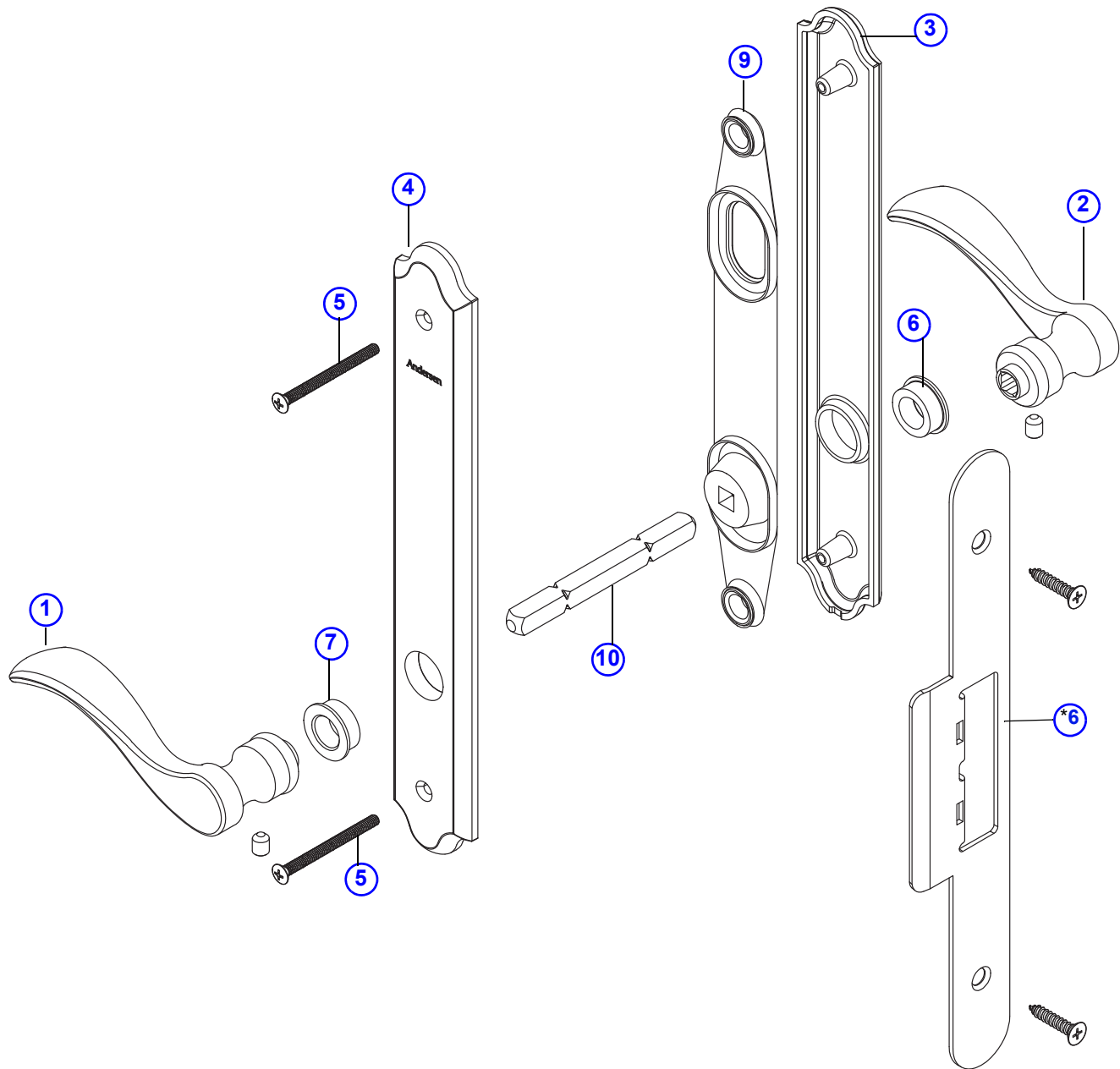
- | | | |
|---|--|--|
| 1. Exterior Handle (LH Shown) | 6. *Strike Plate | 11. Interior Nylon Bushing |
| 2. Interior Handle (RH Shown) | 7. Handle Set Screw (Package) | 12. Trim Set Gasket |
| 3. Active Exterior Escutcheon Plate | 8. Key Cylinder Mounting Bolts | 13. Spindle |
| 4. Active Interior Escutcheon Plate | 9. Lock Limiting Plate | 14. Exterior Nylon Bushing |
| 5. Escutcheon Plate Bolts | 10. Lock Actuator | 15. Dummy Cylinder |

Covington™ Hardware for Hinged Outswing Doors - Single Trim Set

Hardware

Covington™ Hardware - Passive Hardware Illustration

Note: Additional parts with Double Hardware Set



- | | |
|--|---|
| 1. Exterior Handle (LH Shown) | 6. *AP/PA Strike Plate |
| 2. Interior Handle (RH Shown) | 7. Interior Nylon Bushing |
| 3. Passive Exterior Escutcheon Plate | 8. Exterior Nylon Bushing |
| 4. Passive Interior Escutcheon Plate | 9. Trim Set Gasket |
| 5. Escutcheon Plate Bolts | 10. Spindle |

Covington™ Hardware for Hinged Outswing Doors - Double Trim Set

E-Series Hinged Outswing Doors (March 2018 to Present)

Single, 2-Panel and Stationary

Hardware

Complete Trim Set - Covington™ / Interior and Exterior See Illustration page 53 and page 54			
	Finish	Single	Double AP/PA
	Antique Brass	2578937	2578938
	Bright Brass	2578935	2578936
	Oil Rubbed Bronze	2578941	2578942

Trim Set - Covington™ / Interior See Illustration page 35				
	Finish	Single		Double AP/PA
		Left	Right	Order No.
	Antique Brass	N/A	N/A	N/A
	Bright Brass	NA	NA	N/A
	Oil Rubbed Bronze	NA	NA	N/A

Trim Set - Covington™ / Exterior See Illustration page 36				
	Finish	Single		Double AP/PA
		Left	Right	Order No.
	Antique Brass	N/A	N/A	N/A
	Bright Brass	NA	N/A	N/A
	Oil Rubbed Bronze	N/A	N/A	N/A

Handle with Screws - Covington™ Ref. No. 1 and 2 page 53 and page 54			
	Finish	Left	Right
	Antique Brass	2573733	N/A
	Bright Brass	2573735	2573736
	Oil Rubbed Bronze	N/A	N/A

Escutcheon Plate - Covington™ / Exterior Ref. No. 3 page 53 and page 54			
	Finish	Active	Passive
	Antique Brass	2573769	2573770
	Bright Brass	2573773	N/A
	Oil Rubbed Bronze	2573777	2573778

Escutcheon Plate - Covington™ / Interior Ref. No. 3 page 53 and page 54			
	Finish	Active	Passive
	Antique Brass	2573767	2573768
	Bright Brass	2573771	2573772
	Oil Rubbed Bronze	2573775	2573776

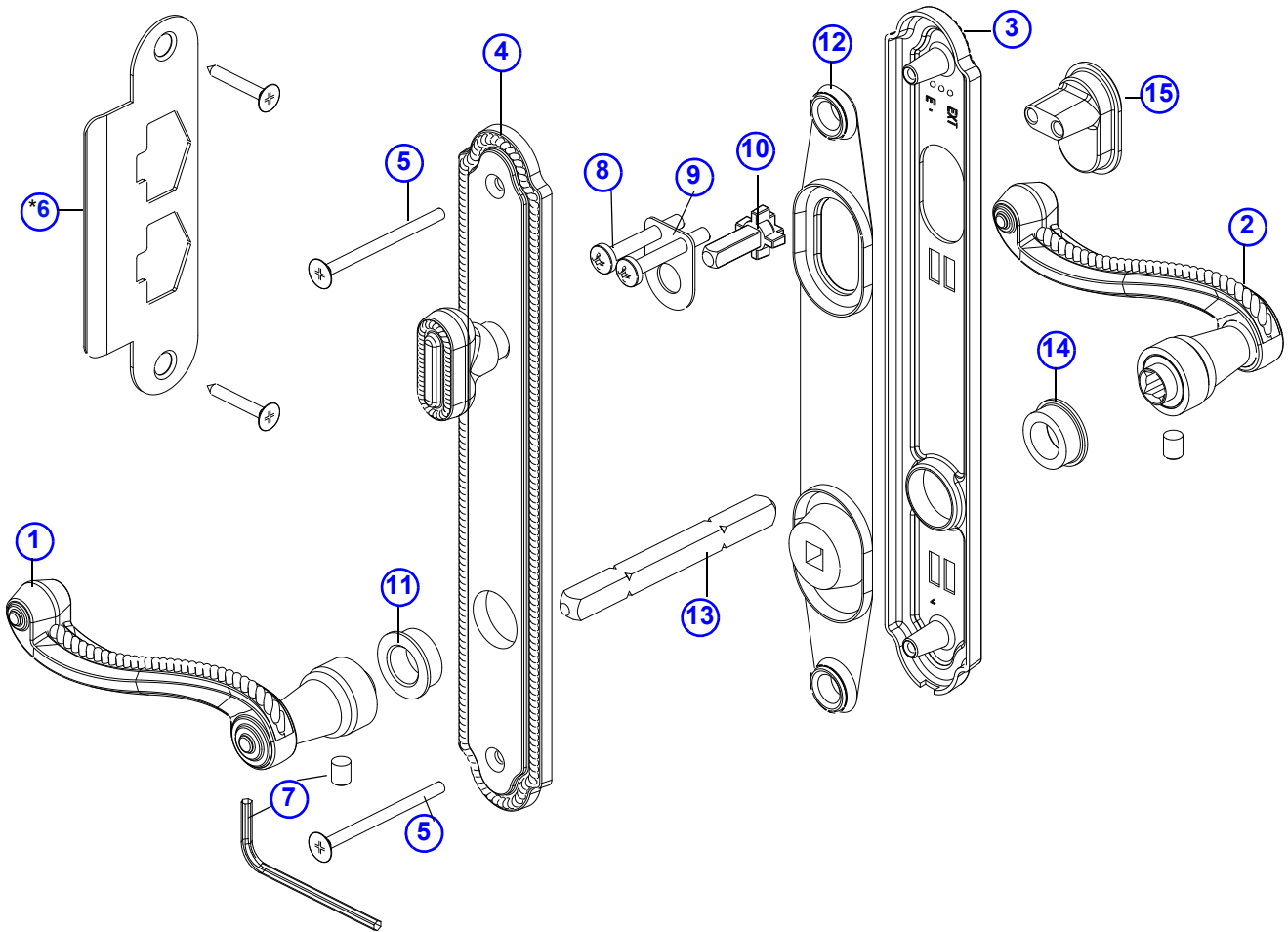
Hardware

Andersen® Hardware - Whitmore®

Note:

See [Accessory Guide 0005156](#) for Active Hardware.

*Strike plate "cover" shown is not used (page six from Accessory Guide 0005156) as strike is factory installed.



- | | | |
|---|--|--|
| 1. Interior Handle (LH Shown) | 6. *Strike Plate | 11. Interior Nylon Bushing |
| 2. Exterior Handle (RH Shown) | 7. Handle Set Screw (Package) | 12. Trim Set Gasket |
| 3. Active Exterior Escutcheon Plate | 8. Key Cylinder Mounting Bolts | 13. Spindle |
| 4. Active Interior Escutcheon Plate | 9. Lock Limiting Plate | 14. Exterior Nylon Bushing |
| 5. Escutcheon Plate Bolts | 10. Lock Actuator | 15. Dummy Cylinder |

Whitmore® Hinged Patio Door Hardware - Single Trim Set

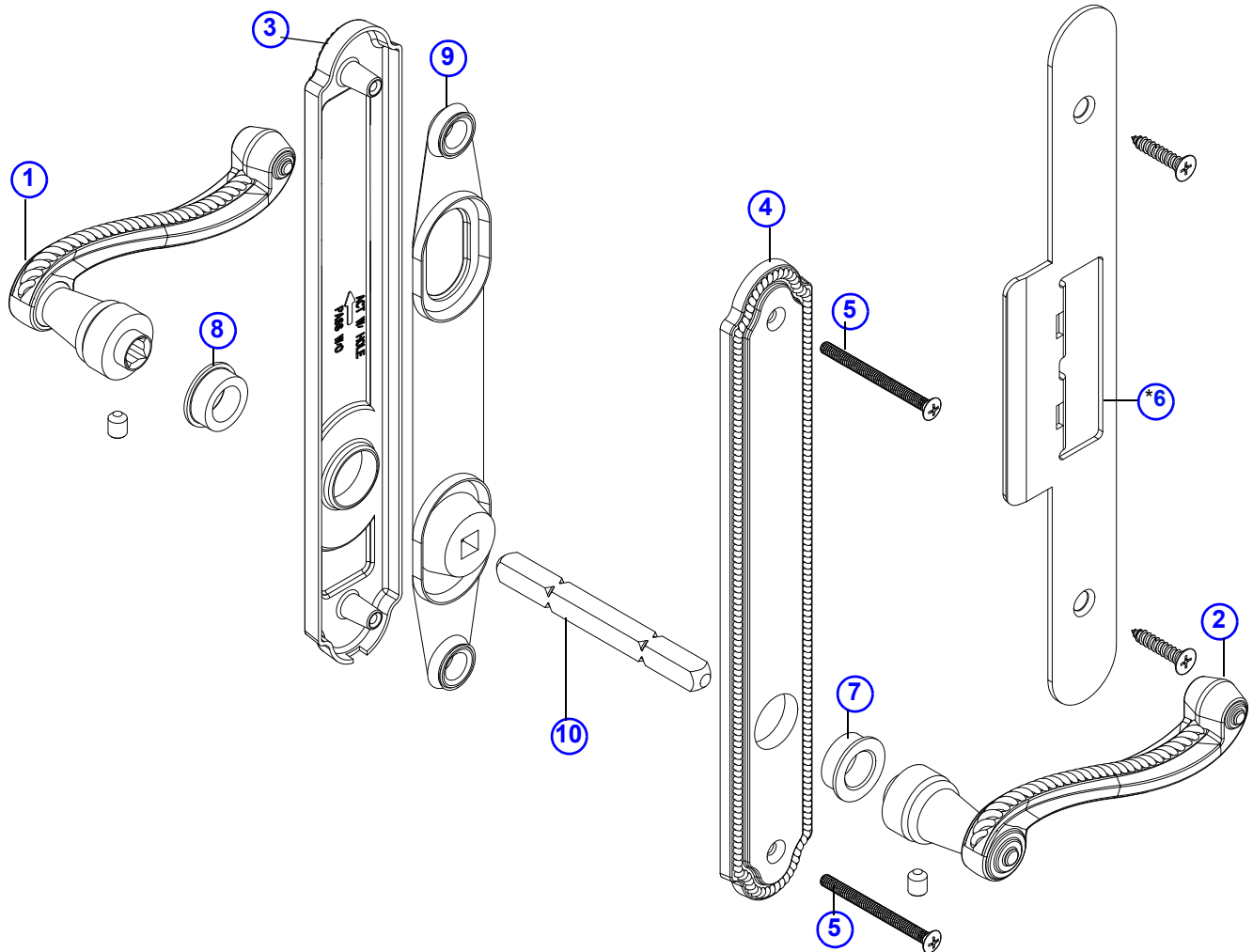
E-Series Hinged Outswing Doors (March 2018 to Present)

Single, 2-Panel and Stationary

Hardware

Whitmore® Hardware - Passive Hardware Illustration

Note: Additional parts with Double Hardware Set



1. [Exterior Handle \(LH Shown\)](#)
2. [Interior Handle \(RH Shown\)](#)
3. [Passive Exterior Escutcheon Plate](#)
4. [Passive Interior Escutcheon Plate](#)
5. [Escutcheon Plate Bolts](#)
6. [*AP/PA Strike Plate](#)
7. [Interior Nylon Bushing](#)
8. [Exterior Nylon Bushing](#)
9. [Trim Set Gasket](#)
10. [Spindle](#)


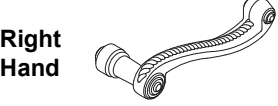
Whitmore® Hinged Patio Door Hardware - Double Trim Set

Hardware

Complete Trim Set - Whitmore® / Interior and Exterior See Illustration page 56 and page 57			
	Finish	Single	Double AP/PA
	Antique Brass	2578923	2578924
	Bright Brass	2578919	2578920
	Oil Rubbed Bronze	2578925	2578926
	Satin Nickel	2578921	2578922

Trim Set - Whitmore® / Interior See Illustration page 35				
	Finish	Single		Double AP/PA
		Left	Right	Order No.
	Antique Brass	N/A	N/A	N/A
	Bright Brass	N/A	NA	N/A
	Oil Rubbed Bronze	N/A	N/A	N/A
	Satin Nickel	N/A	N/A	N/A

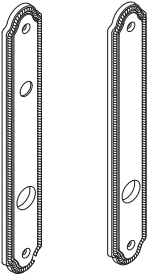
Trim Set - Whitmore® / Exterior See Illustration page 36				
	Finish	Single		Double AP/PA
		Left	Right	Order No.
	Antique Brass	N/A	N/A	N/A
	Bright Brass	N/A	N/A	N/A
	Oil Rubbed Bronze	N/A	N/A	N/A
	Satin Nickel	N/A	N/A	NA

Handle with Screws - Whitmore® Ref. No. 1 and 2 page 56 and page 57				
 Left Hand  Right Hand	Finish	Left	Right	
		Antique Brass	2573725	2573726
		Bright Brass	2573727	2573728
		Oil Rubbed Bronze	2573729	2573730
		Satin Nickel	2573731	2573732

E-Series Hinged Outswing Doors (March 2018 to Present)

Single, 2-Panel and Stationary

Hardware

Escutcheon Plate - Whitmore® / Exterior Ref. No. 3 page 56 and page 57				
		Finish	Active	Passive
		Antique Brass	2573753	2573754
		Bright Brass	2573757	N/A
		Oil Rubbed Bronze	2573761	2573762
		Satin Nickel	2573765	N/A

Escutcheon Plate - Whitmore® / Interior Ref. No. 3 page 56 and page 57				
		Finish	Active	Passive
		Antique Brass	2573751	2573752
		Bright Brass	2573755	2573756
		Oil Rubbed Bronze	2573759	2573760
		Satin Nickel	2573763	2573764

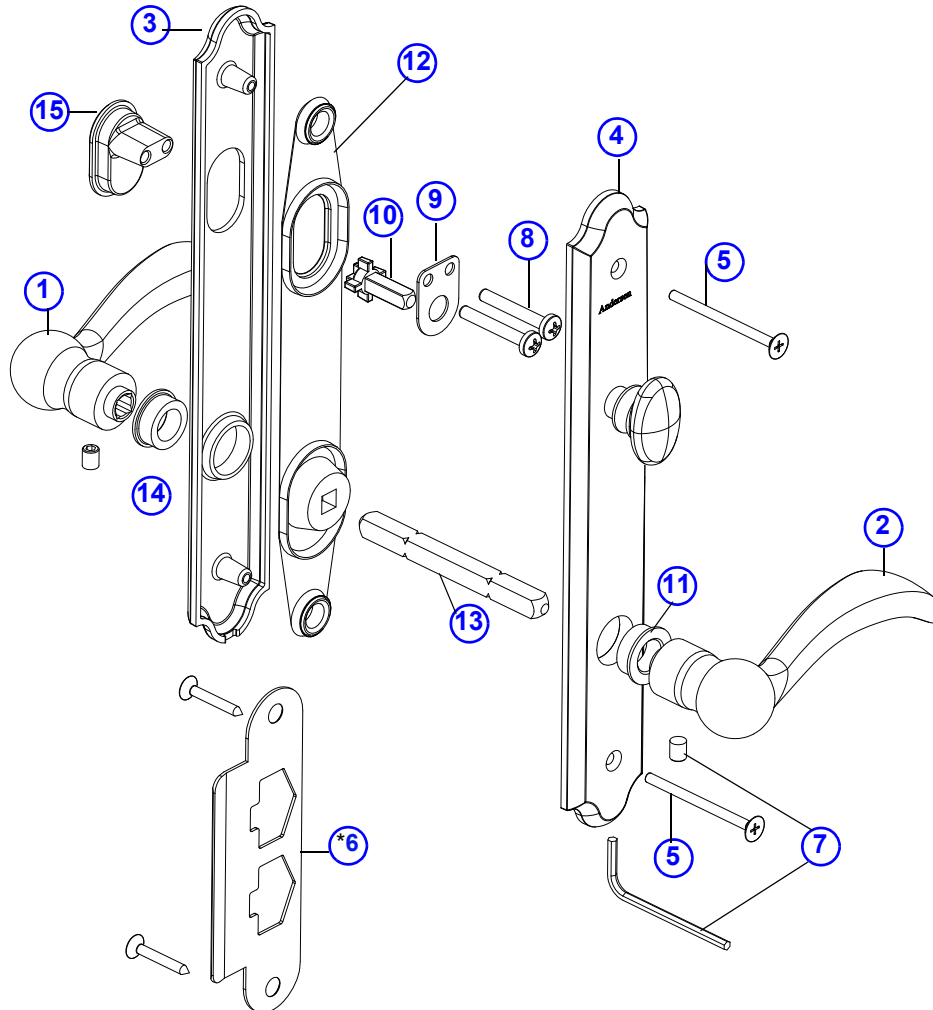
Hardware

Andersen® Hardware - Encino®

Note:

See [Accessory Guide 0005156](#) for Active Hardware.

*Strike plate "cover" shown is not used (page six from Accessory Guide 0005156) as strike is factory installed.



- | | | |
|---|--|--|
| 1. Exterior Handle (LH Shown) | 6. *Strike Plate | 11. Interior Nylon Bushing |
| 2. Interior Handle (RH Shown) | 7. Handle Set Screw (Package) | 12. Trim Set Gasket |
| 3. Active Exterior Escutcheon Plate | 8. Key Cylinder Mounting Bolts | 13. Spindle |
| 4. Active Interior Escutcheon Plate | 9. Lock Limiting Plate | 14. Exterior Nylon Bushing |
| 5. Escutcheon Plate Bolts | 10. Lock Actuator | 15. Dummy Cylinder |

Encino® Hinged Patio Door Hardware - Single Trim Set

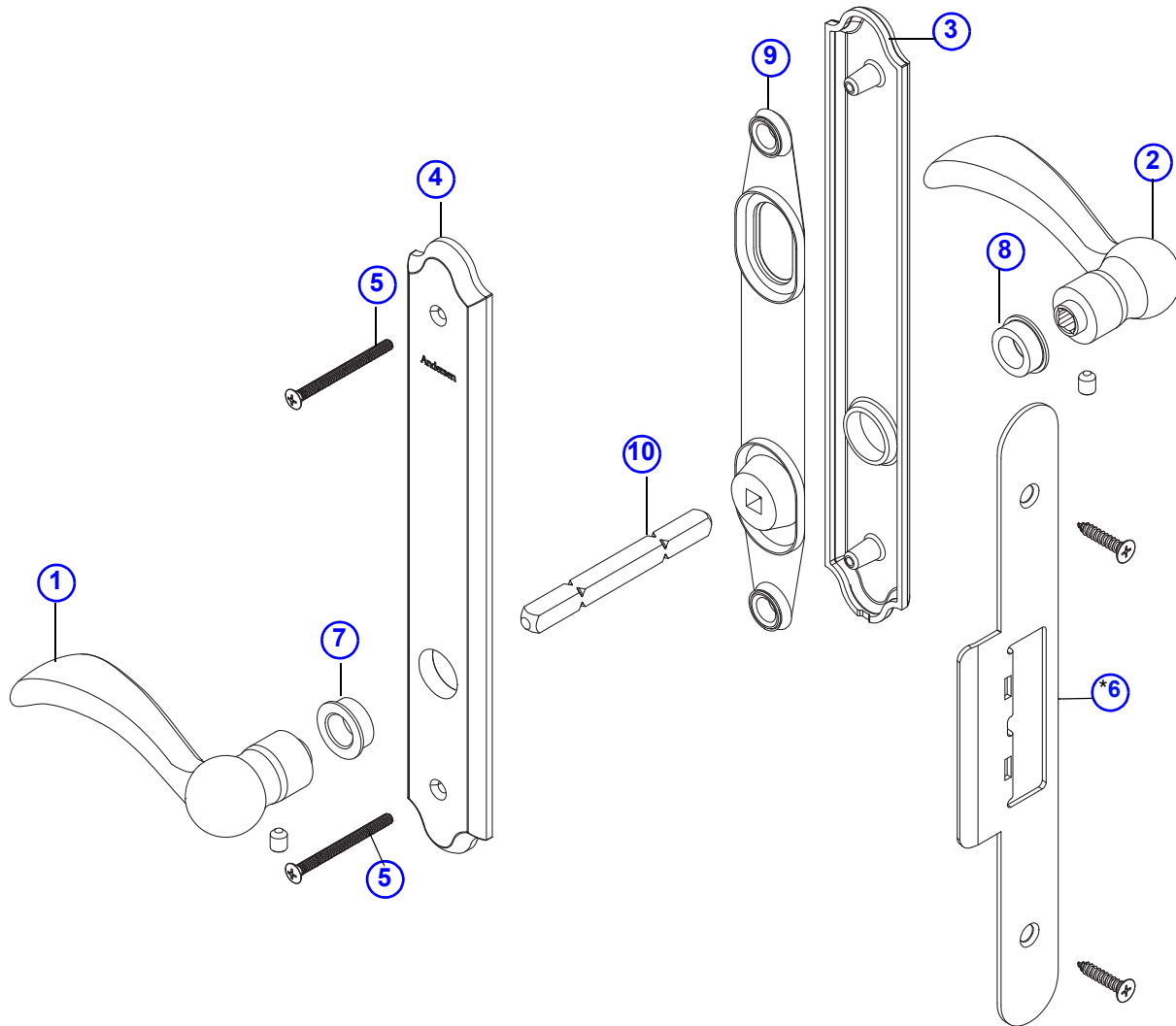
E-Series Hinged Outswing Doors (March 2018 to Present)

Single, 2-Panel and Stationary

Hardware

Encino® Hardware - Passive Hardware Illustration

Note: Additional parts with Double Hardware Set



1. [Exterior Handle \(LH Shown\)](#)
2. [Interior Handle \(RH Shown\)](#)
3. [Passive Exterior Escutcheon Plate](#)
4. [Passive Interior Escutcheon Plate](#)
5. [Escutcheon Plate Bolts](#)
6. [*AP/PA Strike Plate](#)
7. [Interior Nylon Bushing](#)
8. [Exterior Nylon Bushing](#)
9. [Trim Set Gasket](#)
10. [Spindle](#)

Encino® Hinged Patio Door Hardware - Double Trim Set

Hardware

Complete Trim Set - Encino® / Interior and Exterior See Illustration page 60 and page 61				
	Finish	Single		Double AP/PA
	Distressed Bronze	2578927		2578928
	Distressed Nickel	2578929		2578930
Trim Set - Encino® / Interior See Illustration page 35				
	Finish	Single		Double AP/PA
		Left	Right	Order No.
	Distressed Bronze	2572696	2572789	2572697
Distressed Nickel	2572701	2572791	2572702	
Trim Set - Encino® / Exterior See Illustration page 36				
	Finish	Single		Double AP/PA
		Left	Right	Order No.
	Distressed Bronze	2572652	2572767	2572653
Distressed Nickel	2572656	2572769	2572657	

Handle with Screws - Encino® Ref. No. 1 and 2 page 60 and page 61			
	Finish	Left	Right
	Distressed Bronze	2573789	2573790
	Distressed Nickel	2573791	2573792
Escutcheon Plate - Encino® / Exterior No. 3 and 4 page 60 and page 61			
	Finish	Active	Passive
	Distressed Bronze	2573804	2573805
	Distressed Nickel	2573808	2573809
Escutcheon Plate - Encino® / Interior No. 3 and 4 page 60 and page 61			
	Finish	Active	Passive
	Distressed Bronze	2573802	2573803
	Distressed Nickel	2573806	2573807

E-Series Hinged Outswing Doors (March 2018 to Present)

Single, 2-Panel and Stationary

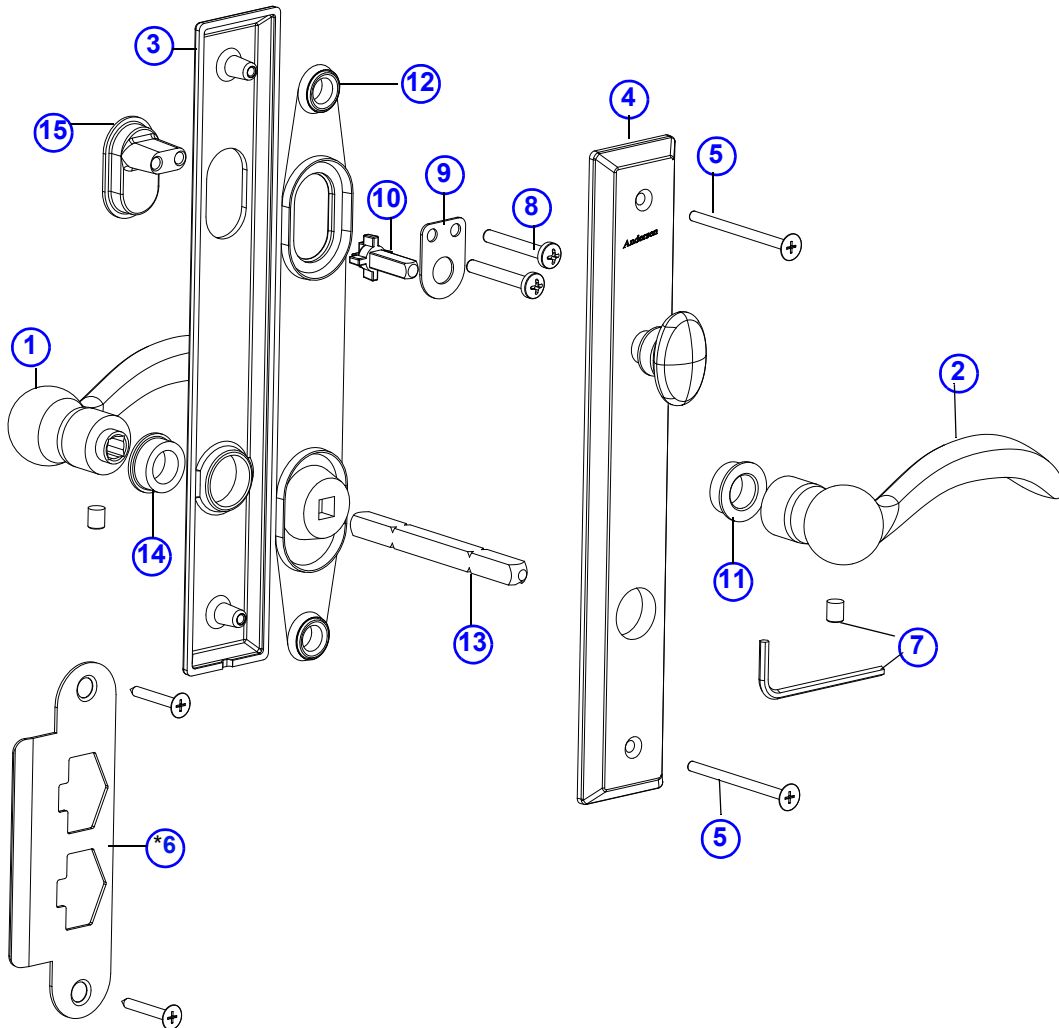
Hardware

Andersen® Hardware - Yuma®

Note:

See [Accessory Guide 0005156](#) for Active Hardware.

*Strike plate "cover" shown is not used (page six from Accessory Guide 0005156) as strike is factory installed.



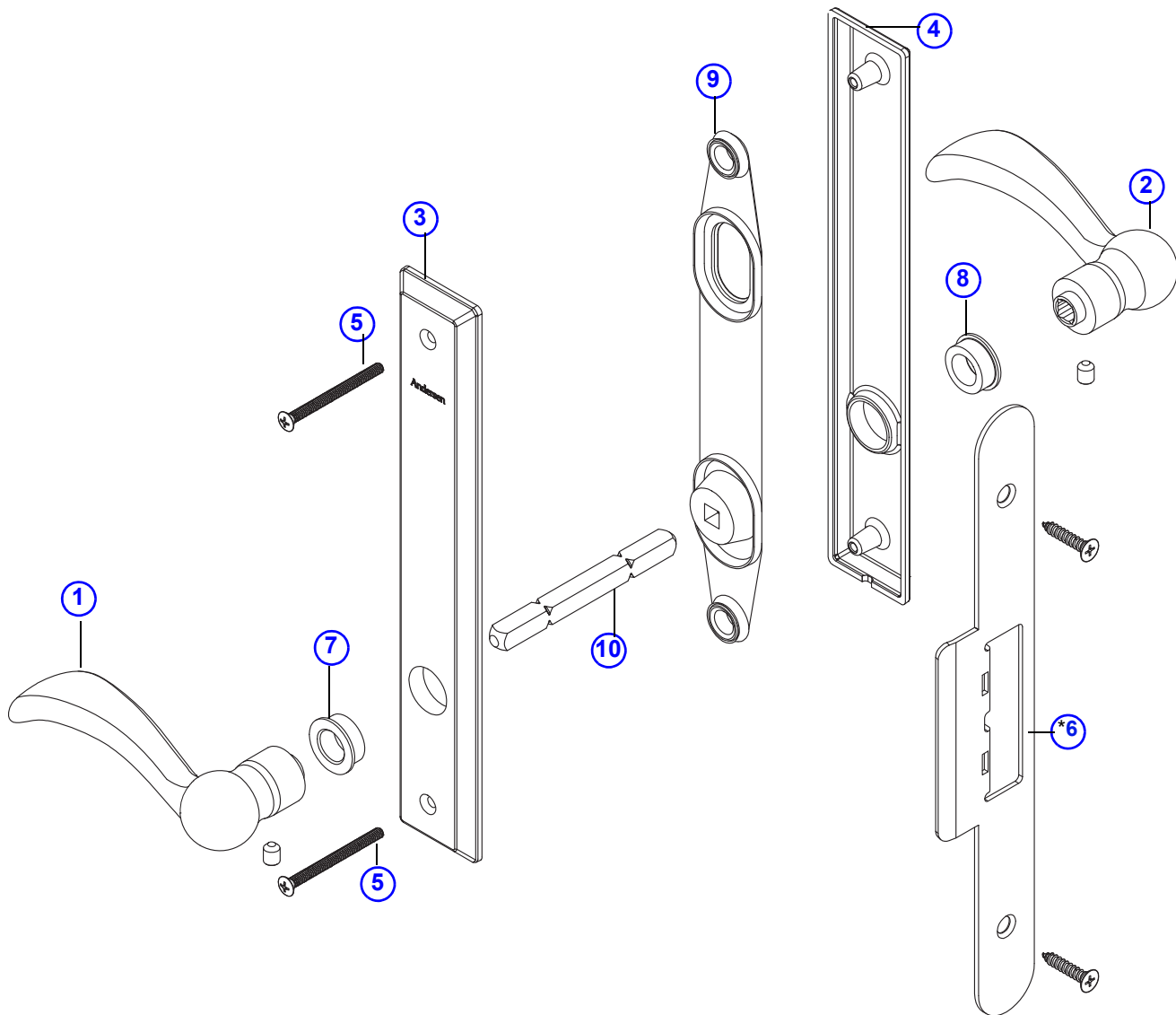
- | | | |
|---|--|--|
| 1. Exterior Handle (LH Shown) | 6. *Strike Plate | 11. Interior Nylon Bushing |
| 2. Interior Handle (RH Shown) | 7. Handle Set Screw (Package) | 12. Trim Set Gasket |
| 3. Active Exterior Escutcheon Plate | 8. Key Cylinder Mounting Bolts | 13. Spindle |
| 4. Active Interior Escutcheon Plate | 9. Lock Limiting Plate | 14. Exterior Nylon Bushing |
| 5. Escutcheon Plate Bolts | 10. Lock Actuator | 15. Dummy Cylinder |

Yuma® Hinged Patio Door Hardware - Single Trim Set

Hardware

Yuma® Hardware - Passive Hardware Illustration

Note: Additional parts with Double Hardware Set



- | | |
|--|---|
| 1. Exterior Handle (LH Shown) | 6. *AP/PA Strike Plate |
| 2. Interior Handle (RH Shown) | 7. Interior Nylon Bushing |
| 3. Passive Exterior Escutcheon Plate | 8. Exterior Nylon Bushing |
| 4. Passive Interior Escutcheon Plate | 9. Trim Set Gasket |
| 5. Escutcheon Plate Bolts | 10. Spindle |

Yuma® Hinged Patio Door Hardware - Double Trim Set

E-Series Hinged Outswing Doors (March 2018 to Present)

Single, 2-Panel and Stationary

Hardware

Complete Trim Set - Yuma® / Interior and Exterior See Illustration page 63 and page 64				
	Finish	Single		Double AP/PA
	Distressed Bronze	2578931		2578932
	Distressed Nickel	2578933		2578934
Trim Set - Yuma® / Interior See Illustration page 35				
	Finish	Single		Double AP/PA
		Left	Right	Order No.
	Distressed Bronze	2572698	2572790	2572699
Distressed Nickel	2572703	2572792	2572705	
Trim Set - Yuma® / Exterior See Illustration page 36				
	Finish	Single		Double AP/PA
		Left	Right	Order No.
	Distressed Bronze	2572654	2572768	2572655
Distressed Nickel	2572658	2572770	2572659	

Handle with Screws - Yuma® Ref. No. 1 and 2 page 63 and page 64			
	Finish	Left	Right
	Distressed Bronze	2573789	2573790
	Distressed Nickel	2573791	2573792
Escutcheon Plate - Yuma® / Exterior Ref. No. 3 and 4 page 63 and page 64			
	Finish	Active	Passive
	Distressed Bronze	2573812	2573813
	Distressed Nickel	2573816	2573817
Escutcheon Plate - Yuma® / Interior Ref. No. 3 and 4 page 63 and page 64			
	Finish	Active	Passive
	Distressed Bronze	2573810	2573811
	Distressed Nickel	2573814	2573815

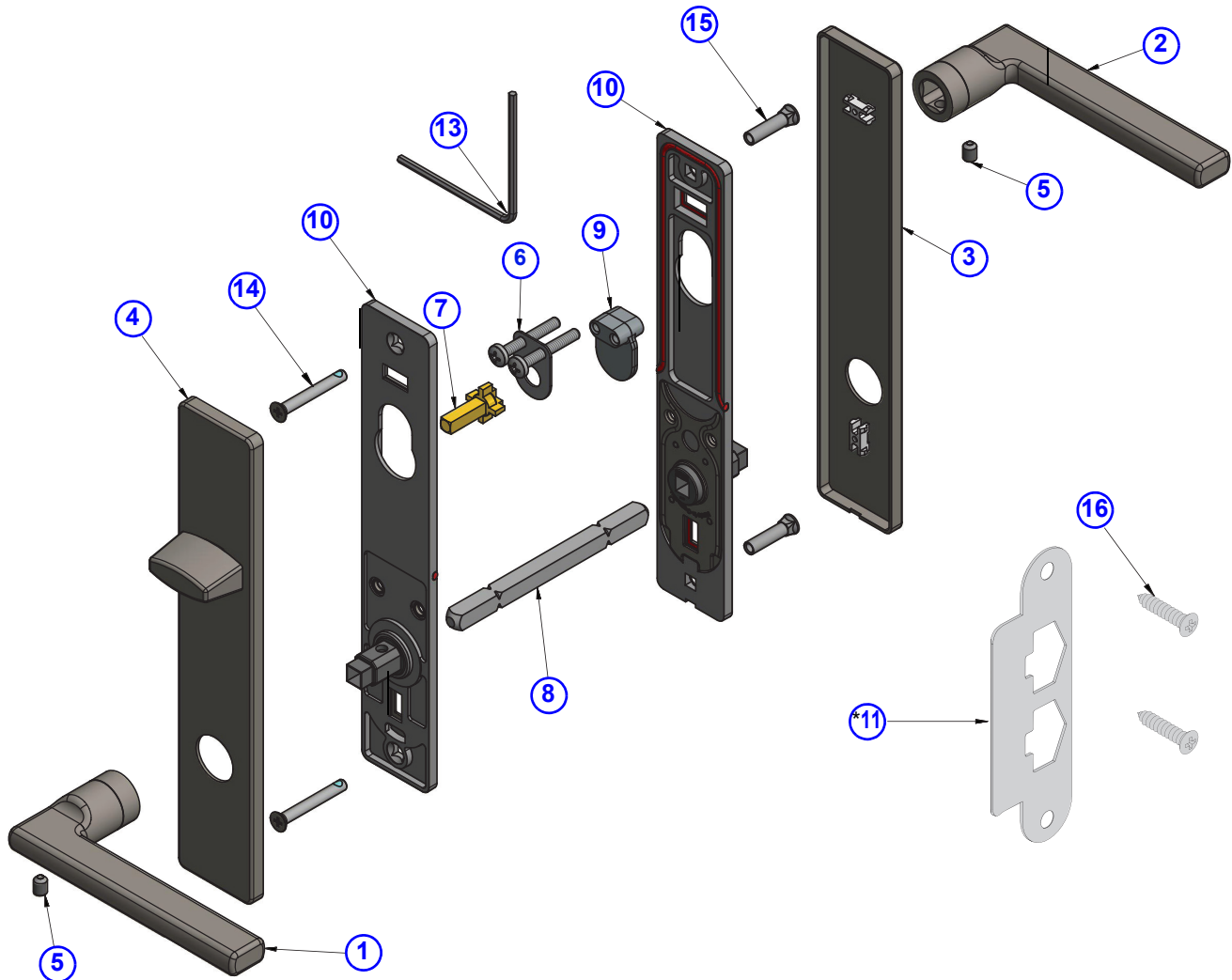
Hardware

Designer Hardware FSB®

Note:

See [Accessory Guide 9173980](#). FSB® 1035 Style shown.

*Strike plate “cover” shown is not used as strike is factory installed.



- | | | |
|---|--|--|
| 1. Interior Handle | 6. Lock Limiting Plate | 11. *Strike Plate (Single) |
| 2. Exterior Handle | 7. Lock Actuator | 13. Hex Key (3MM) |
| 3. Active Exterior Escutcheon Plate | 8. Spindle | 14. Escutcheon Base Plate Screw |
| 4. Active Interior Escutcheon Plate | 9. Screw Retainer | 15. Escutcheon Base Plate Sleeve |
| 5. Handle Set Screw | 10. Base Plate | 16. Strike Plate Screw |

FSB® Hinged Patio Door Hardware - Single Trim Set

E-Series Hinged Outswing Doors (March 2018 to Present)

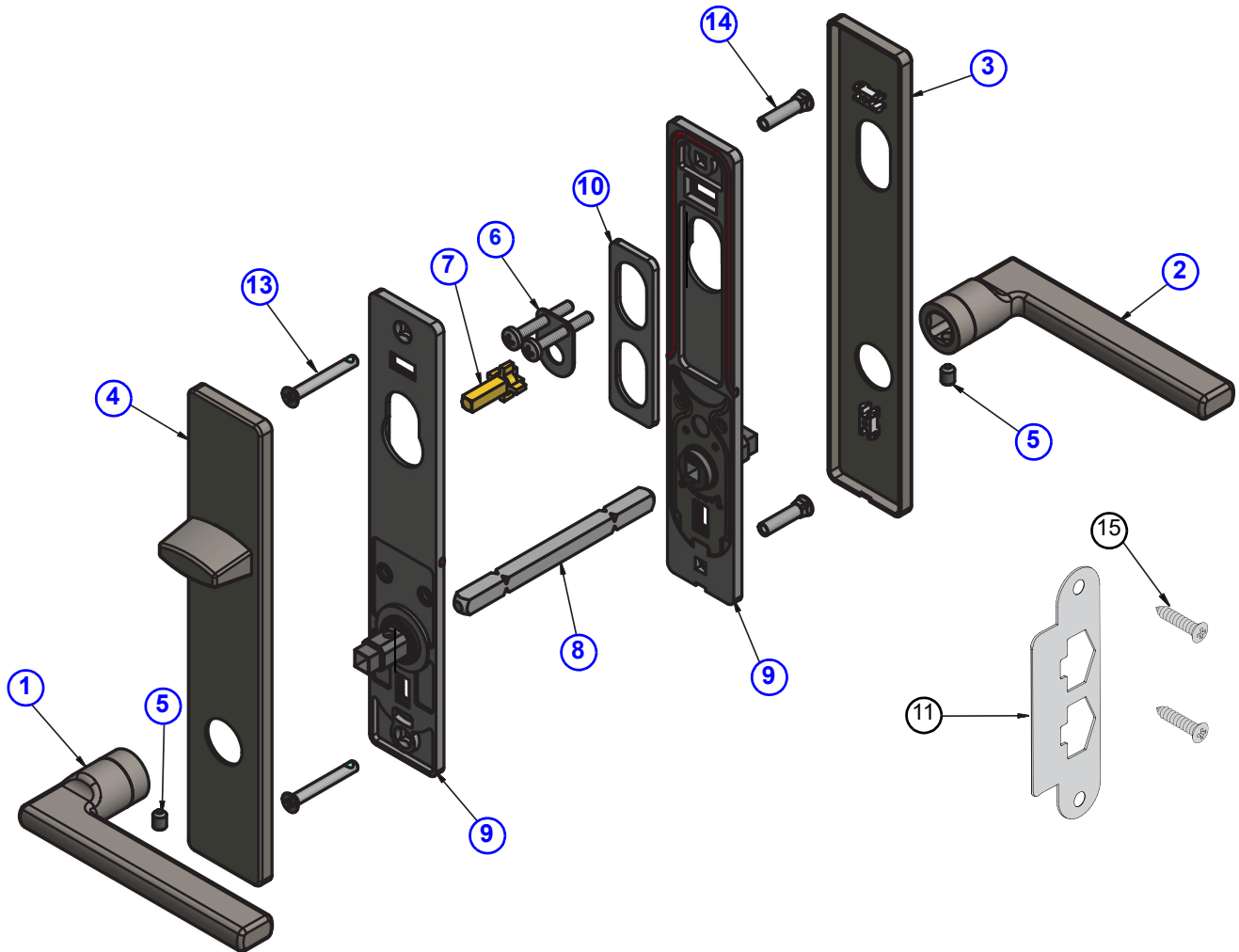
Single, 2-Panel and Stationary

Hardware

FSB® Hardware - Keyed Lock Illustration

Note:

See [Accessory Guide 9173980](#). 1035 Style shown with keyed lock version. *Strike plate "cover" shown is not used as strike is factory installed.



- | | | |
|---|---|--|
| 1. Interior Handle | 7. Lock Actuator | 13. Escutcheon Base Plate Screw |
| 2. Exterior Handle | 8. Spindle | 14. Escutcheon Base Plate Sleeve |
| 3. Active Exterior Escutcheon Plate | 9. Base Plate | 15. Strike Plate Screws Not Needed on outswing doors |
| 4. Active Interior Escutcheon Plate | 10. Gasket | |
| 5. Handle Set Screw | 11. Strike Plate (Not Needed on outswing doors) | |
| 6. Lock Limiting Plate | | |

FSB® Hinged Patio Door Hardware - Single Trim Set

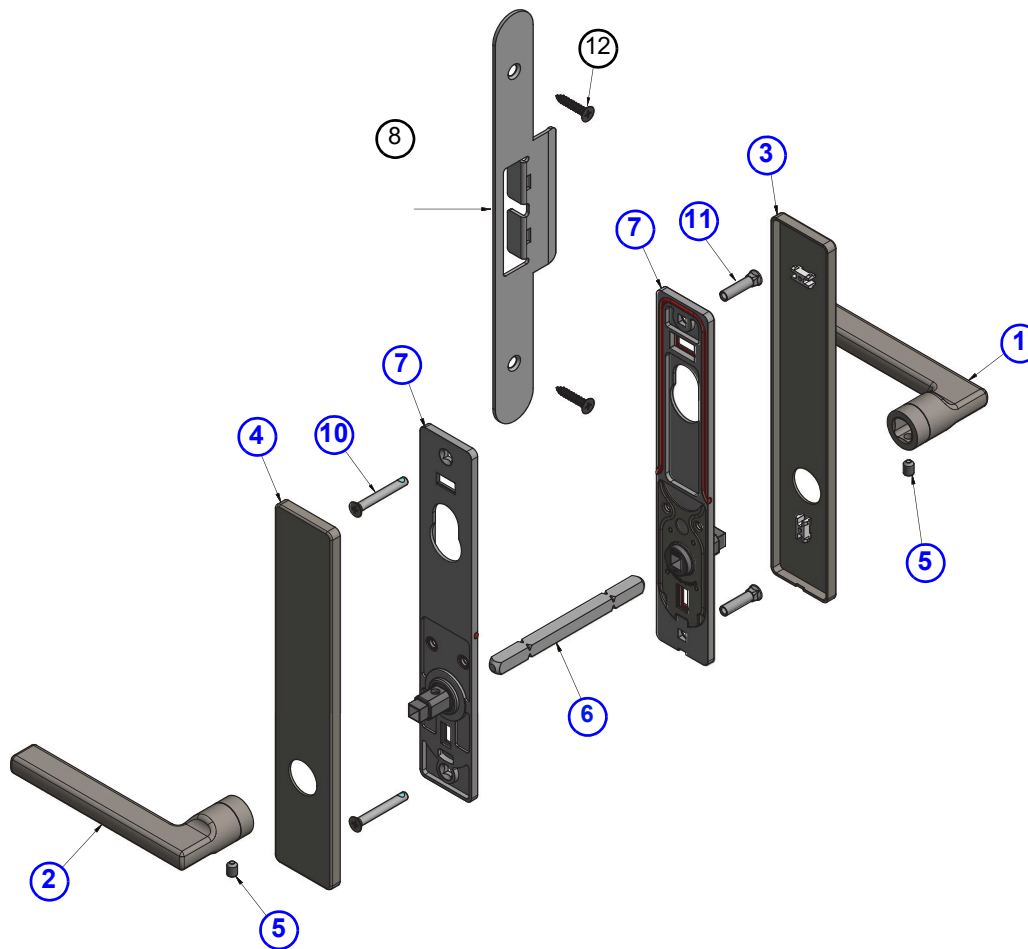
Hardware

FSB® Hardware - Passive Hardware Illustration

Note:

See [Accessory Guide 9173980](#). 1035 Style shown. *Strike plate “cover” shown is not used as strike is factory installed.

Note: Additional parts with Double Hardware Set



- | | |
|--|--|
| <ol style="list-style-type: none"> 1. Exterior Handle 2. Interior Handle 3. Passive Exterior Escutcheon Plate 4. Passive Interior Escutcheon Plate 5. Set Screw 6. Spindle | <ol style="list-style-type: none"> 7. Base Plate 8. Strike Plate (Not Needed on outswing doors) 10. Escutcheon Base Plate Screw 11. Escutcheon Base Plate Sleeve 12. Strike Plate Screws (Not Needed on outswing doors) |
|--|--|

FSB® Hinged Patio Door Hardware - Double Trim Set

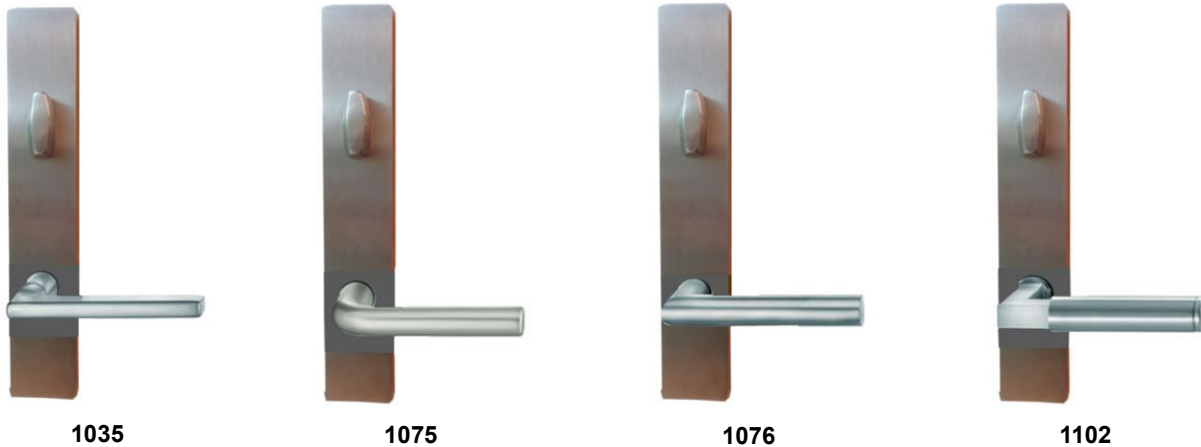
E-Series Hinged Outswing Doors (March 2018 to Present)

Single, 2-Panel and Stationary

Hardware

Complete Trim Set Ref. contents shown in illustrations on [page 66](#) and [page 67](#) and [page 68](#)

Note:
[Keyed lock](#) sold separately.



Type	Non-Keyed				Keyed			
	Black Anodized		Satin Stainless Steel		Black Anodized		Satin Stainless Steel	
	Single	Double AP/PA	Single	Double AP/PA	Single	Double AP/PA	Single	Double AP/PA
1035	9184744	9184750	9172936	9172944	9184747	9184753	9172940	9172948
1075	9184745	9184751	9172937	9172945	9184748	9184754	9172941	9172949
1076	9184746	9184752	9172938	9172946	9184749	9184755	9172942	9172950
1102			9172939	9172947			9172943	9172951

Handle with Screws - FSB® Ref. No. 1 and 2 [page 66](#) and [page 67](#) and [page 68](#)

Type	Black Anodized		Satin Stainless Steel	
	Left	Right	Left	Right
1035	9184760	9184759	9173722	9173721
1075	9184762	9184761	9173724	9173723
1076	9184764	9184763	9173726	9173725
1102			9173728	9173727

Escutcheon Plate - FSB® / Exterior Ref. No. 3 and 4 [page 66](#) and [page 67](#) and [page 68](#)

Note:
All styles (1035, 1075, 1076 and 1102) use the same interior/exterior escutcheon plate.

Finish	Active (Non-Keyed)	Active (Keyed Lock)	Passive
SS Steel	9173719	9173720	9173719
Black Anodized	9184757	9184758	9184757

Escutcheon Plate - FSB® / Interior Ref. No. 3 and 4 [page 66](#) and [page 67](#) and [page 68](#)

Finish	Active	Passive
SS Steel	9173718	9173719
Black Anodized	9184756	9184757

Escutcheon Base Plate Assembly - FSB® Ref. No. 10 [page 66](#) and [page 67](#) and [page 68](#)

Finish	Order No.
Zinc	9173729

Hardware

Screw Package - FSB®			
Note: FSB® style hardware uses a unique screw pack. See PKD 1150.			
	Ref. No.	Double Package Includes	
	1	2 - Hex Key 3MM	
	2	1 - Screw Retainer	
	3	1 - Lock Actuator	
	4	4 - Set Screw 3MM	
	5	4 - Escutcheon Base Plate Screw	
	6	4 - Escutcheon Base Plate Sleeve Nut	
	7	2 - Spindle	
	9	1 - Lock Limiting Plate	
	10	2 - Strike Plate Screws (Satin Nickel) #10 - 13 x 1" PH FL undercut wood	
	11	2 - Keyed Cylinder Mounting Bolt M5 x .8 - 35mm PH w/#10 fill HD mach zinc	
	Finish	Single	Double
	Stainless Steel	9173735	9173736
	Black	9184911	9184912

Screw Pack - FSB®		
Note: FSB style uses unique set screw.		
		Order No.
		9173731

Base Plate - FSB®		
Note: Use for FSB® style trim sets.		
		Order No.
		9173729

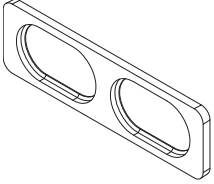
E-Series Hinged Outswing Doors (March 2018 to Present)

Single, 2-Panel and Stationary

Hardware

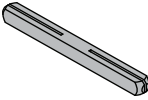
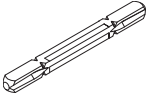
Gasket - FSB® / Keyed Lock

Note:
Used with keyed lock exterior escutcheon plate.

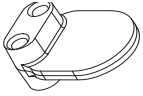
		Order No.
		9173734

Spindle - FSB®

Note:
FSB style hardware uses unique spindle.

					Length	Standard	Retrofit
					4 ⁵ / ₈	9173732	9173737
Standard	Retrofit						

Screw Retainer - FSB®

		Order No.
		9173733

Escutcheon Plate Clip

Note:
Secures to back side of escutcheon plate.

		Order No.
		9173730

Hardware

Designer Hardware - Baldwin®

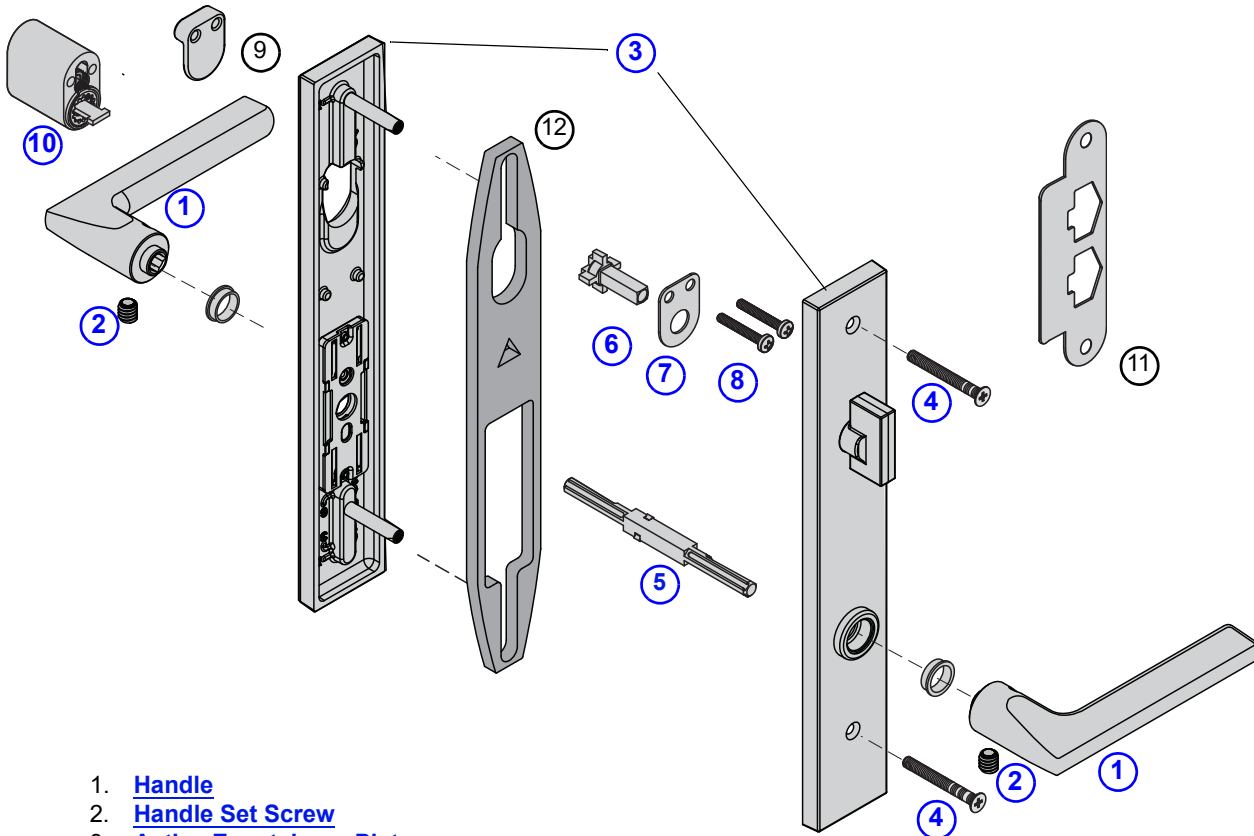
Baldwin® Designer Hardware - Active

Note:

See [Accessory Guide 9208753](#). 5162 handle style shown.

Escutcheon plate routed for keyed lock but does not include keyed lock. [Keyed lock](#) sold separately.

Baldwin® Trim Set Assembly



1. [Handle](#)
2. [Handle Set Screw](#)
3. [Active Escutcheon Plate](#)
4. [Escutcheon Plate Screw](#)
5. [Spindle](#)
6. [Lock Actuator](#)
7. [Lock Limiting Plate](#)
8. [Key Cylinder Mounting Bolts](#)
9. Screw Retainer used with Non-Keyed Sets
10. [Used with Keyed Lock Sets](#)
11. Strike Plate (Not Needed on Outswing doors)
12. Escutcheon Gasket (Same on Active and Passive)

Baldwin® Hinged Patio Door Hardware - Single Active Trim Set

E-Series Hinged Outswing Doors (March 2018 to Present)

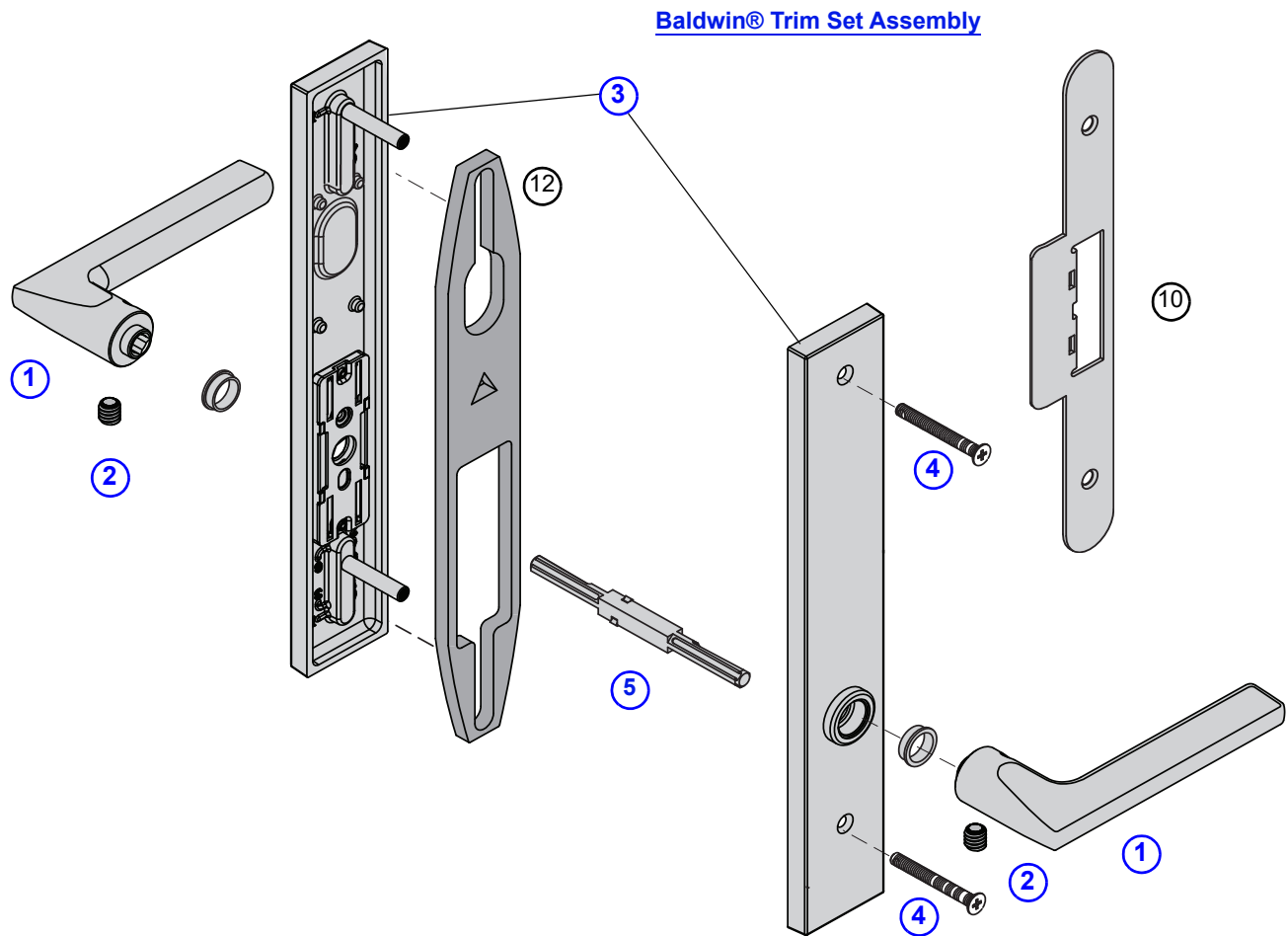
Single, 2-Panel and Stationary

Hardware

Baldwin® Designer Hardware - Passive

Note:

Additional parts with Double Hardware Set. See [Accessory Guide 9208753](#). 5162 handle style shown.



1. [Handle](#)
2. [Handle Set Screw](#)
3. [Passive Escutcheon Plate](#)
4. [Escutcheon Plate Screw](#)
5. [Spindle](#)
10. Strike Plate (Not Needed on Outswing Doors)
12. Escutcheon Gasket (Same on Active and Passive)


Baldwin® Hinged Patio Door Hardware - Double Passive Trim Set


Complete Trim Sets - Baldwin® / Interior and Exterior


Note:


Active and Passive Trim Sets are configured to order.


Hardware

Handle with Screws - Baldwin® L021 Ref. No. 1 on page 72				
		Finish	Left	Right
		Non-Lacquered Brass	9208359	9208395
		Oil Rubbed Bronze	9208361	9208391
		Satin Black	9208357	9208387
		Satin Brass	9208358	9208388
		Satin Nickel	9208358	9208388

Handle with Screws - Baldwin® L023 Ref. No. 1 page 72				
		Finish	Left	Right
		Non-Lacquered Brass	9208360	9208390
		Oil Rubbed Bronze	9208366	9208396
		Satin Black	9208362	9208392
		Satin Brass	9208364	9208394
		Satin Nickel	9208363	9208393

Handle with Screws - Baldwin® 5162 Ref. No. 1 page 72				
		Finish	Left	Right
		Non-Lacquered Brass	9208355	9208385
		Oil Rubbed Bronze	9208356	9208388
		Satin Black	9208352	9208382
		Satin Brass	9208354	9208384
		Satin Nickel	9208353	9208383


Handle with Screws - Baldwin® 5173 Ref. No. 1 page 72				
		Finish	Left	Right
		Non-Lacquered Brass	9208380	9208410
		Oil Rubbed Bronze	9208381	9208411
		Satin Black	9208377	9208407
		Satin Brass	9208379	9208409
		Satin Nickel	9208378	9208408

Handle with Screws - Baldwin® 455V Ref. No. 1 page 72				
		Finish	Left	Right
		Non-Lacquered Brass	9208375	9208405
		Oil Rubbed Bronze	9208376	9208406
		Satin Black	9208372	9208402
		Satin Brass	9208374	9208404
		Satin Nickel	9208373	9208403

E-Series Hinged Outswing Doors (March 2018 to Present)

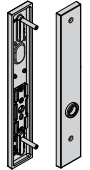
Single, 2-Panel and Stationary

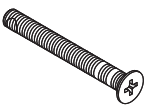
Hardware

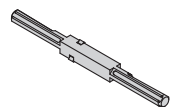
Handle with Screws - Baldwin® 5485V Ref. No. 1 page 72				
		Finish		
			Left	
			Right	
		Non-Lacquered Brass	9208370	9208400
		Oil Rubbed Bronze	9208371	9208401
		Satin Black	9208367	9208397
		Satin Brass	9208369	9208399
	Satin Nickel	9208368	9208398	

Set Screw package w/Wrench - Handle Ref. No. 2 page 72	
Note: 1 - M5 X 8MM knurl cup point set screw	Order No. 9207269

Plate, Escutcheon Active - Baldwin® Ref. No. 3 page 72				
Note: Baldwin escutcheon plates are sold as pairs both interior and exterior.				
		Finish	Keyed Lock	Non-Keyed
		Non-Lacquered Brass	9208340	9208345
		Oil Rubbed Bronze	9208341	9208346
		Satin Black	9208337	9208342
		Satin Brass	9208339	9208344
		Satin Nickel	9208338	9208343

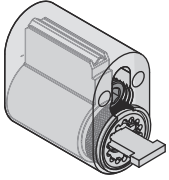
Plate, Escutcheon Passive - Baldwin® Ref. No. 3 page 73			
	Note: Baldwin escutcheon plates are sold as pairs both interior and exterior.	Finish	Part No.
		Non-Lacquered Brass	9208350
		Oil Rubbed Bronze	9208351
		Satin Black	9208347
		Satin Brass	9208349
		Satin Nickel	9208348

Screw Package - Escutcheon Screw Kits - Baldwin® Ref. No. 5 page 72			
	Note: Screw pack contains:(4) Screws, #8-32 UNC	Finish	Order No.
		Non-Lacquered Brass	9207265
		Oil Rubbed Bronze	9207264
		Satin Black	9207264
		Satin Brass	9207262
		Satin Nickel	9207263

Spindle, Baldwin Hardware Ref. No. 5 page 72		
Note: Baldwin only offers one length of spindle for both 1.75" and 2.25" doors.		
	Length	Order No.
	4 1/2"	9207268

Hardware

Keyed Lock - Baldwin® Ref. No. 10 [page 72](#)



Note:
Baldwin can only be keyed alike to Baldwin locks.

Finish	Order No.
Non-Lacquered Brass	9207266
Oil Rubbed Bronze	9207266
Satin Black	9207266
Satin Brass	9207266
Satin Nickel	9207267

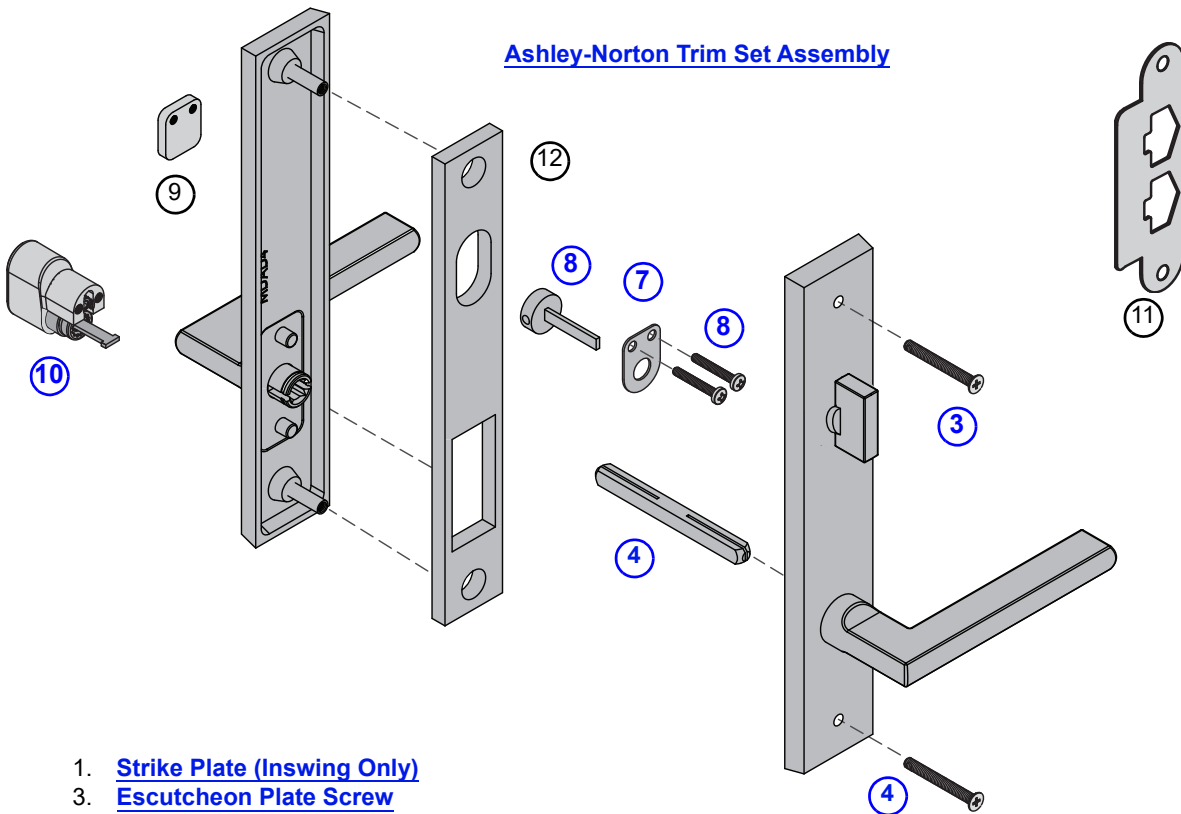
Designer Hardware - Ashley Norton

Ashley Norton Designer Hardware - Active

Note:

See [Accessory Guide 9208751](#).

Escutcheon plate routed for keyed lock but does not include keyed lock. [Keyed lock](#) sold separately.



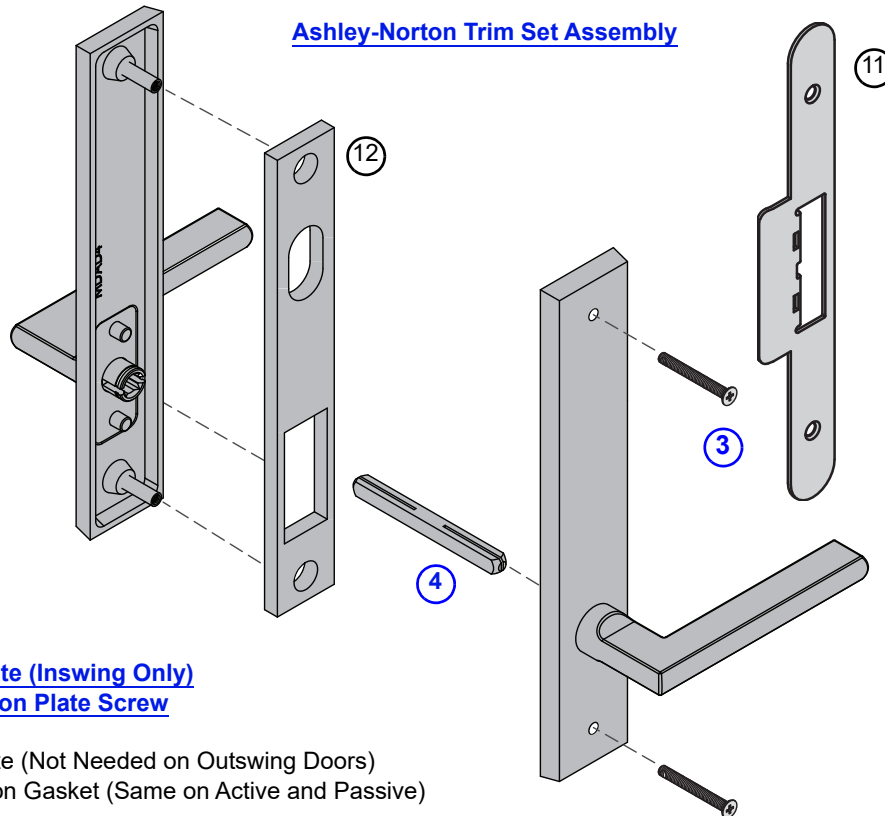
1. [Strike Plate \(Inswing Only\)](#)
3. [Escutcheon Plate Screw](#)
4. [Spindle](#)
6. [Key Cylinder Mounting Bolts](#)
7. [Lock Limiting Plate](#)
8. [Lock Actuator](#)
9. Screw Retainer - Used on Non-Keyed Lock Sets
10. [Keyed Lock - Used on Keyed Lock Sets](#)
11. Strike Plate (Not Needed on Outswing Doors)
12. Escutcheon Gasket (Same on Active and Passive)

Hinged Patio Door Hardware - Single Active Trim Set

Hardware

Ashley Norton Hardware - Passive

Note: Additional parts with Double Hardware Set



Hinged Patio Door Hardware - Double Passive Trim Set

Complete Trim Set - Ashley Norton / Interior and Exterior

Note:
 Active and Passive Trim Sets are configured to order.

Handle with Screws - Ashley Norton [page 77](#)

Note:
 Handles and escutcheon plate are permanently attached to together. Parts are only available in the complete trim set.

Plate, Escutcheon Active and Passive - Ashley Norton [page 77](#)

Note:
 Escutcheon plate and handles are permanently attached to together. Parts only available in the complete trim set.

E-Series Hinged Outswing Doors (March 2018 to Present)

Single, 2-Panel and Stationary

Hardware

Screw Package - Escutcheon Screw Kits / Ashley-Norton Ref. No. 3 [page 77](#)

Note:

Ashley Norton screw pack contains:

(4) Screws, #8-32 UNC X 2.75"

(4) Screws, #8-32 UNC X 2.25"

		Finish	Order No.
		Dark Bronze	9207255
		Dark Oil Rubbed	9207255
		Flat Black	9207255
		Matte Black	9207255
		Natural Bronze	9207252
		Polished Chrome	9207253
		Polished Nickel	9207254
		Satin Nickel	9207251
		White Bronze	9207251
		White Medium	9207256

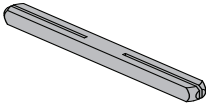
Keyed Lock - Ashley-Norton Ref. No. 3 [page 77](#)

Note:

Ashley-Norton can only be keyed alike to Ashley-Norton locks.

		Finish	Order No.
		Dark Bronze	9207257
		Dark Oil Rubbed	9207257
		Flat Black	9207257
		Matte Black	9207257
		Natural Bronze	9207258
		Polished Chrome	9207259
		Polished Nickel	9207259
		Satin Nickel	9207259
		White Bronze	9207259
		White Medium	9207259

Replacement Parts Kit / Ashley Norton (For "standard" 1 3/4" door) Ref. No. 4, 6, 7 and 8 [page 77](#)

	<p>Note: Ashley style hardware uses unique spindle and available in the part kit.</p> <p>Kit Includes:</p> <ul style="list-style-type: none"> (1) Spindle 95 MM (1) Lock Actuator (1) Allen Wrench (4) Screws M4 x 8mm Knurl Cup Pt (2) Screws M4 X .8-30mm PH W/19 Fill Hd Mach Zinc (1) Limiting Plate Thick (1) Limiting Plate Thin 	Order No.
		9207260

Hardware

Hardware Screw Pack / Ashley Norton (for "standard" 1 3/4" door)		
	Kit Includes: (1) Spindle 95 MM (1) Lock Actuator (1) Allen Wrench (4) Screws M4 x 8mm Knurl Cup Pt (2) Screws M4 X .8-30mm PH W/19 Fill Hd Mach Zinc (1) Limiting Plate Thick (1) Limiting Plate Thin	Order No.
		9207260
Hardware Screw Pack / Ashley Norton - 2 1/4" thick panel		
	Kit Includes: (1) Spindle 108 mm (1) Lock Actuator 28mm	Order No.
		9207261

E-Series Hinged Outswing Doors (March 2018 to Present)

Single, 2-Panel and Stationary

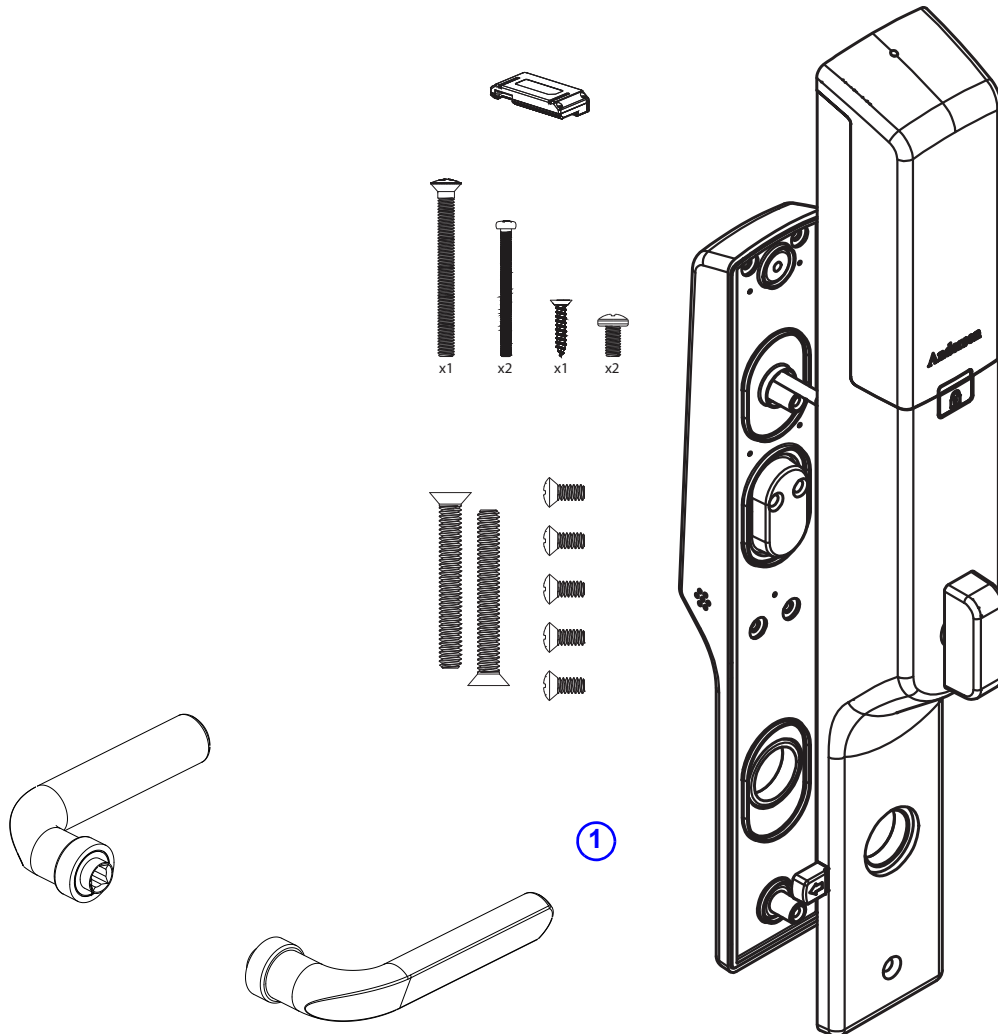
Hardware

Yale® Assure Lock®

Yale® Assure Lock® Hardware - Interior / Exterior

Note:

See [Accessory Guide](#) and [FAQ](#). Can be used on new doors as well as retro-fitted on installed doors.



1. [Assure Lock Trim Set Assembly](#)

Yale® Assure Lock® (YRM 476) Hinged Patio Door Hardware - Active Single Trim Set

Hardware

Trim Set - Assure Lock / Anvers® See Illustration page 81				
Note: Replacement parts for Yale locks need to be ordered from Yale. See Replacement Components and FAQ .				
	Finish	Base	Z-Wave	Wi-Fi/Bluetooth
	Satin Nickel	9183848	9173096	9183851
	White	9183846	9173094	9183849
	Black	9183847	9173095	9183850

Trim Set - Passive / Anvers® See Illustration page 44		
	Finish	Order No.
	Satin Nickel	9173105
	White	9173103
	Black	9173104

Hardware Kit See Illustration page 81	
	Order No.
	9183854

Hardware Kit - Yale Assure		Order No.															
Note: See Accessory Guide .		9203397															
Ref. No.	Kit Includes																
1	Door position sensor																
2	Lock mounting screws																
3	Sensor magnets and covers																
4*	Lock actuator spacers																
5	Battery cover release pin																
<p>*A spacer may be required to correctly install lock. There are three (3) options in your lock kit. See chart to select the correct spacer for your application.</p> <table border="1"> <thead> <tr> <th>Door Type</th> <th>Spacer Color</th> <th>Spacer</th> </tr> </thead> <tbody> <tr> <td>A-Series - Outswing Only</td> <td>N/A</td> <td>None</td> </tr> <tr> <td>A-Series Inswing. E-Series 1.75" In and Outswing E-Series 2.25" Inswing 400 Series 1.75" Inswing</td> <td>Black</td> <td></td> </tr> <tr> <td>200 Series 1.75" All E-Series - 2.25" Outswing Only</td> <td>White</td> <td></td> </tr> <tr> <td>E-Series - Architect Entrance Door and Folding Doors Sold Separately. (Provided when ordering thick door kit part number AYRM-270-TDK.)</td> <td>Gray</td> <td></td> </tr> </tbody> </table>			Door Type	Spacer Color	Spacer	A-Series - Outswing Only	N/A	None	A-Series Inswing. E-Series 1.75" In and Outswing E-Series 2.25" Inswing 400 Series 1.75" Inswing	Black		200 Series 1.75" All E-Series - 2.25" Outswing Only	White		E-Series - Architect Entrance Door and Folding Doors Sold Separately. (Provided when ordering thick door kit part number AYRM-270-TDK.)	Gray	
Door Type	Spacer Color	Spacer															
A-Series - Outswing Only	N/A	None															
A-Series Inswing. E-Series 1.75" In and Outswing E-Series 2.25" Inswing 400 Series 1.75" Inswing	Black																
200 Series 1.75" All E-Series - 2.25" Outswing Only	White																
E-Series - Architect Entrance Door and Folding Doors Sold Separately. (Provided when ordering thick door kit part number AYRM-270-TDK.)	Gray																

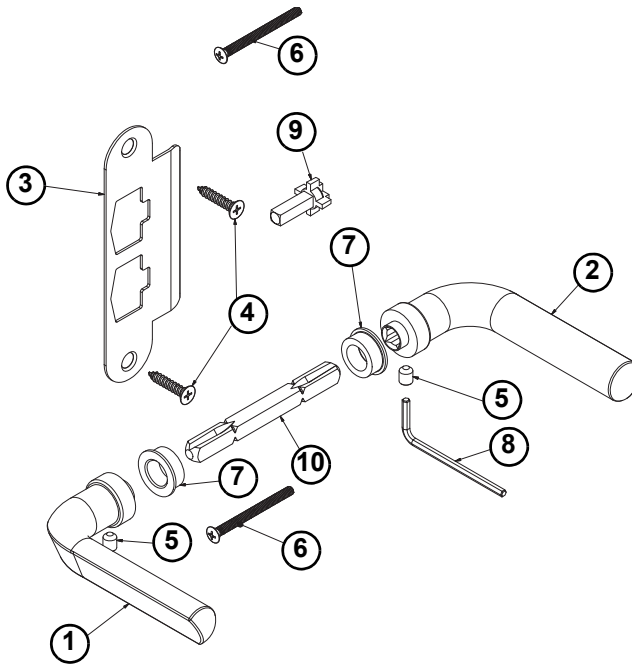
Radio - Module See Illustration page 81		
	Z-Wave	Wi-Fi/Bluetooth
	9183852	9183853

E-Series Hinged Outswing Doors (March 2018 to Present)

Single, 2-Panel and Stationary

Hardware

Assure Lock Handle Set - Single / Anvers®



Ref. No.	Package Includes
1	Handle (RH shown)
2	Handle (LH shown)
3	Strike Plate - Single
4	Strike Plate Screws
5	Handle Set Screw
6	Escutcheon Plate Screw
7	Bushing
8	Allen Wrench
9	Lock Actuator
10	Spindle

Finish	Order No.
Satin Nickel	9173108
White	9173106
Black	9173107

Hardware

Hardware - Concealed Panic System

Note:



Concealed Panic System Hardware

E-Series Hinged Outswing Doors (March 2018 to Present)

Single, 2-Panel and Stationary

Hardware

Handle Kit

Note:
Double Kit receives one left hand and one right hand.

Single		Double			
Finish	Single				
	30		40		
	LH	RH	LH	RH	
Bright Chrome	0040700	0040701	0040702	0040703	
Satin Chrome	0040712	0040713	0040714	0040715	
Oil Rubbed Bronze	0040708	0040709	0040710	0040711	
Brass	0040704	0040705	0040706	0040707	
Finish	Double				
	30		40		
	0040689		0040690		
Bright Chrome	0040689		0040690		
Satin Chrome	0040695		0040696		
Oil Rubbed Bronze	0040693		0040694		
Brass	0040691		0040692		

Strike

Note:

		Bottom (Gray)	Jamb (Black)
		0040528	0040529

Closer

		Finish	Order No.
		Aluminum	0040530
		Dark Bronze	0040531
		Brass	0040532
		Aluminum (4041)	0231064

Screw Pack

		Order No.
		0010534

Hardware

Kick Plate									
Note: Length in inches.									
Length	Bright Chrome	Satin Chrome	Oil Rubbed Bronze	Brass	Length	Bright Chrome	Satin Chrome	Oil Rubbed Bronze	Brass
28	0040541	0040652	0040615	0040578	37	0040559	0040670	0040633	0040596
28 1/2	0040542	0040653	0040616	0040579	37 1/2	0040560	0040671	0040634	0040597
29	0040543	0040654	0040617	0040580	38	0040561	0040672	0040635	0040598
29 1/2	0040544	0040655	0040618	0040581	38 1/2	0040562	0040673	0040636	0040599
30	0040545	0040656	0040619	0040582	39	0040563	0040674	0040637	0040600
30 1/2	0040546	0040657	0040620	0040583	39 1/2	0040564	0040675	0040638	0040601
31	0040547	0040658	0040621	0040584	40	0040565	0040676	0040639	0040602
31 1/2	0040548	0040659	0040622	0040585	40 1/2	0040566	0040677	0040640	0040603
32	0040549	0040660	0040623	0040586	41	0040567	0040678	0040641	0040604
32 1/2	0040550	0040661	0040624	0040587	41 1/2	0040568	0040679	0040642	0040605
33	0040551	0040662	0040625	0040588	42	0040569	0040680	0040643	0040606
33 1/2	0040552	0040663	0040626	0040589	42 1/2	0040570	0040681	0040644	0040607
34	0040553	0040664	0040627	0040590	43	0040571	0040682	0040645	0040608
34 1/2	0040554	0040665	0040628	0040591	43 1/2	0040572	0040683	0040646	0040609
35	0040555	0040666	0040629	0040592	44	0040573	0040684	0040647	0040610
35 1/2	0040556	0040667	0040630	0040593	44 1/2	0040574	0040685	0040648	0040611
36	0040557	0040668	0040631	0040594	45	0040575	0040686	0040649	0040612
36 1/2	0040558	0040669	0040632	0040595	45 1/2	0040576	0040687	0040650	0040613
					46	0040577	0040688	0040651	0040614

Sweep				
		Finish	Length	Order No.
		Dark Bronze Anodized	38"	0233546
			48"	0233547
		Clear Anodized	38"	0010265
			48"	0010266

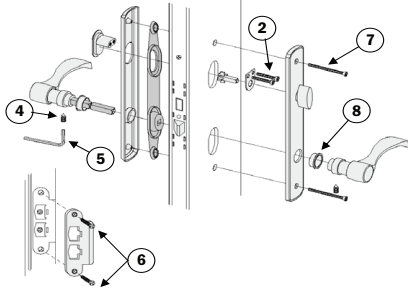
E-Series Hinged Outswing Doors (March 2018 to Present)

Single, 2-Panel and Stationary

Hardware

Andersen® Shared Trim Set Parts

Screw Package - Trim Set / Andersen Hardware (2009 to Present)



Ref. No.	Andersen Package Includes
6	2 - screw, #10 - 13 x 1" PH FL undercut wood
7	4 - screw, #8 - 32 UNC x 2 PH oval head mach
2	2 - screw, M5 x .8 - 35mm PH w/#10 fill HD mach zinc
8	4 - bushing, trim adaptor
4	4 - screw, 1/4 - 20 UNC SS knurled cup point set
5	1 - 1/8 allen wrench

Note:

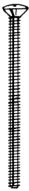
- Chrome used for Brushed Chrome and Polished Chrome finishes.
- To receive a white bushing order a Satin Nickel trim set screw pack.
- To receive a black bushing order an Oil Rubbed Bronze trim set screw pack.
- Albany style introduced in 2009.

Finish	Andersen
Antique Brass	2579757
Black (Albany)9	9019320
Bright Brass	2579756
Chrome	N/A
Distressed Bronze	2579760
Distressed Nickel	2573819
Gold Dust (Albany)	N/A
Oil Rubbed Bronze	2579760
Satin Nickel	2579390
Stone (Albany)	9056230
White (Albany)	9056231

Bolt - Escutcheon Plate

Note:

Escutcheon plate bolts shown as N/A available as part of the trim set screw package, [page 87](#)

	Description	Finish	Order No.
	2 - #8-32 UNC x 2 panhead oval	Antique Brass	N/A
	Bright Brass	N/A	
	Polished Chrome	N/A	
	Brushed Chrome	N/A	
	Satin Nickel	N/A	
	Oil Rubbed Bronze	N/A	
	Distressed Bronze	N/A	
	Distressed Nickel	N/A	

Hardware

Set Screw Package w/wrench - Handle		
	Andersen Package Includes: 4 - 1/4-20 UNC knurled cup point set screws 1 - 1/8 Allen wrench.	Andersen
		2579829

Lock Actuator			
Note: See Lock Actuator Replacement Video . Unique depending on panel thickness. Lock actuator used as standard is 1 ⁵ / ₃₂ long and lock actuator used for thick panel (2 ¹ / ₄) is 1 ²¹ / ₃₂ long.			
		Standard	Thick (2 ¹/₄)
		2579542	9050896
Standard	Thick (2 ¹/₄)		

Lock Limiting Plate	
	Order No.
	2579540

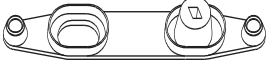
Key Cylinder Mounting Bolt		
Note: Key cylinder mounting bolt is included in trim set hardware pack page 87 .		
	Description	Order No.
	2 - M5 x .8-35mm, PH with #10 fill HD, mach, zinc	2579824

Spindle		
Note: The standard spindle is 3 ³ / ₄ ". The 4 ³ / ₄ " spindle is used with one handle extender. The 5 ³ / ₄ " spindle is used with two handle extenders.		
	Length	Order No.
	3 ³ / ₄	2579830
	4 ³ / ₄	2579831
	5 ³ / ₄	2579832

E-Series Hinged Outswing Doors (March 2018 to Present)

Single, 2-Panel and Stationary

Hardware

Gasket - Trim Set / Other Hardware Styles		
Note: Use for all trim set styles except Tribeca® page 41 .		
		Order No.
		2962512



Hardware

Andersen® Key Lock Parts

Keyed Lock - Andersen®

Note:

See [Accessory Guide 0005155](#). Parts included: lock spacer, tail piece seal, spacer gasket, seal, key cylinder, housing, and key. Keyed alike assembly only available in quantities of two or more. FSB® stainless steel finish hardware uses satin nickel finish.

 <p>Tribeca®</p>  <p>All Other Andersen® Styles</p>	Finish	Keyed Assembly	Keyed Alike Assembly
	Stone (Tribeca®)	2579722	9056143
Stone (Albany)	9007621	9056142	
White (Tribeca®)	2579721	9056145	
White (Albany)	9007620	9056144	
Antique Brass	2579519	9056133	
Bright Brass	2579499	9056135	
Polished Chrome	2579596	9056140	
Brushed Chrome	2579753	9056136	
Satin Nickel/FSB®	2579457	9056141	
Oil Rubbed Bronze/	2579752	9056139	
Distressed Bronze	2579752	9056139	
Distressed Nickel	2573827	9056137	
Gold Dust	N/A	9056138	
Black (Albany)	9007623	9056134	
Black (Tribeca®)	9184683	9184692	

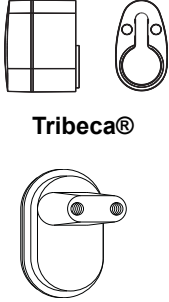
Lock Cylinder with Keys


  <p>Bright Brass</p>  <p>Chrome</p>  <p>Oil Rubbed Bronze</p>	<p>Note: Lock cylinders are available in three finishes: Bright Brass, Chrome and Oil Rubbed Bronze. The table to the right shows the recommended selection for each trim set finish.</p>	Finish	Order No.
		Stone (Tribeca®)	2579641
Stone (Albany)	2579641		
White (Tribeca®)	2579641		
White (Albany)	2579641		
Antique Brass	2579637		
Bright Brass	2579637		
Polished Chrome	2579641		
Brushed Chrome	2579641		
Satin Nickel	2579641		
Oil Rubbed Bronze	2579389		
Distressed Bronze	2579389		
Distressed Nickel	2579641		
Gold Dust	2579641		
Black	2579389		

E-Series Hinged Outswing Doors (March 2018 to Present)

Single, 2-Panel and Stationary

Hardware

Lock Set Dummy Cylinder																																
 <p>Tribeca®</p> <p>All Other Andersen® Styles</p>	<p>Note: Old style and current vintage cylinders are interchangeable.</p> <p>* 060 Antique Brass finish was offered for sale from 1/99 to 7/99. The finish is commonly referred to as "chocolate brown."</p>	<table border="1"> <thead> <tr> <th>Finish</th> <th>Order No.</th> </tr> </thead> <tbody> <tr> <td>Stone (Tribeca®)</td> <td>2579860</td> </tr> <tr> <td>Stone (Albany)</td> <td>9056226</td> </tr> <tr> <td>White (Tribeca®)</td> <td>2579847</td> </tr> <tr> <td>White (Albany)</td> <td>2579847</td> </tr> <tr> <td>Antique Brass</td> <td>2579581</td> </tr> <tr> <td>Bright Brass</td> <td>2579621</td> </tr> <tr> <td>Polished Chrome</td> <td>2579582</td> </tr> <tr> <td>Brushed Chrome</td> <td>N/A</td> </tr> <tr> <td>Satin Nickel</td> <td>2579438</td> </tr> <tr> <td>Oil Rubbed Bronze</td> <td>2579963</td> </tr> <tr> <td>Distressed Bronze</td> <td>2573781</td> </tr> <tr> <td>Distressed Nickel</td> <td>2573782</td> </tr> <tr> <td>Gold Dust</td> <td>N/A</td> </tr> <tr> <td>Black</td> <td>9056229</td> </tr> </tbody> </table>	Finish	Order No.	Stone (Tribeca®)	2579860	Stone (Albany)	9056226	White (Tribeca®)	2579847	White (Albany)	2579847	Antique Brass	2579581	Bright Brass	2579621	Polished Chrome	2579582	Brushed Chrome	N/A	Satin Nickel	2579438	Oil Rubbed Bronze	2579963	Distressed Bronze	2573781	Distressed Nickel	2573782	Gold Dust	N/A	Black	9056229
		Finish	Order No.																													
		Stone (Tribeca®)	2579860																													
		Stone (Albany)	9056226																													
		White (Tribeca®)	2579847																													
		White (Albany)	2579847																													
		Antique Brass	2579581																													
		Bright Brass	2579621																													
		Polished Chrome	2579582																													
		Brushed Chrome	N/A																													
		Satin Nickel	2579438																													
		Oil Rubbed Bronze	2579963																													
		Distressed Bronze	2573781																													
		Distressed Nickel	2573782																													
Gold Dust	N/A																															
Black	9056229																															

Blank Reachout Lock Key		
	<p>Note: Six pin key blank</p>	<p>Order No.</p>
		<p>2573561</p>

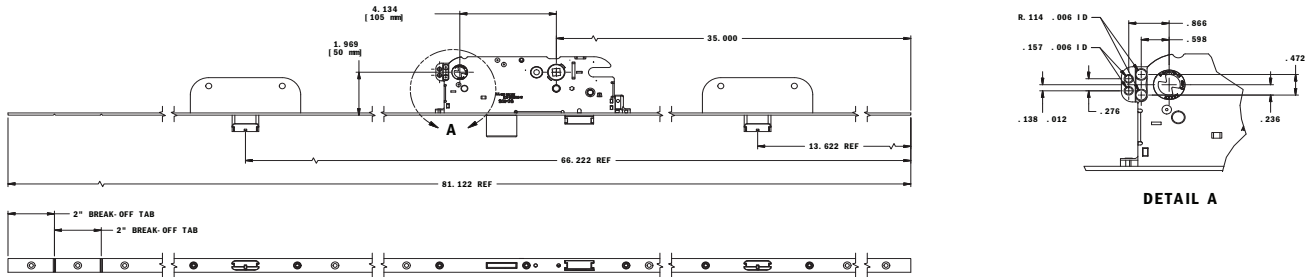
Hardware

Lock Mechanism

Active Lock Mechanism

Note:

7-0 base lock shown below.

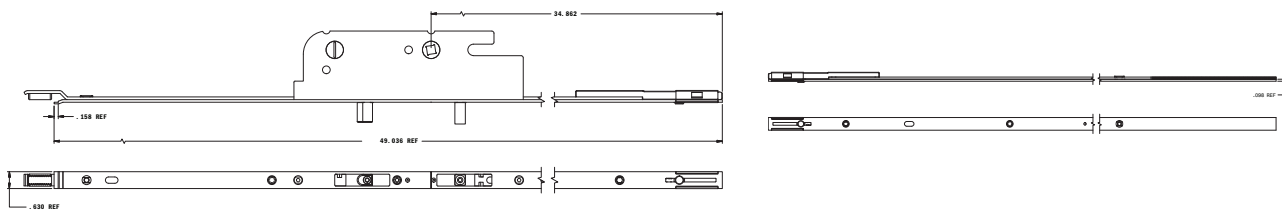


Panel Height	Unit Height	Base Lock	Extension	Base Lock		Extension		
				Left	Right	0117160-A38M	0117150-A784	0117151-A71F
≤ 81 3/16	6-8 and ≤ 7-0	7-0	-	9170322	9170323	-	-	-
> 81 3/16 and < 90 3/16	>7-0 and < 7-9	7-0	12	9170322	9170323	0GU1019	-	-
≥ 90 3/16 and < 93 3/16	7-9 and ≤ 8-0	8-0	-	9170324	9170325	-	-	-
> 93 3/16 and ≤ 99 3/16	>8-0 and < 8-6	8-0	12	9170324	9170325	0GU1019	-	-
> 99 3/16 and ≤ 113 3/16	>8-6 and ≤ 9-8	7-0	9-8	9170322	9170323	-	0GU1046	-
> 113 3/16 and ≤ 117 3/16	>9-8 and ≤ 10-0	7-0	10-0	9170322	9170323	-	-	0GU1045

Passive Lock Mechanism

Note:

Base lock and extension shown below.

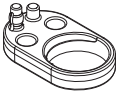



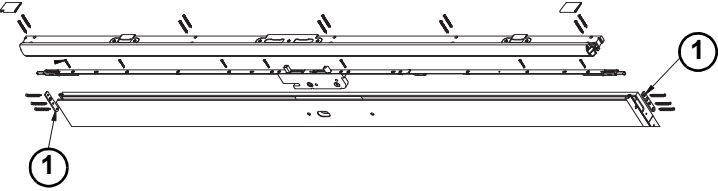
Panel Height	Unit Height	Base Lock	Extension	Extension
69 3/16 and ≤ 77 3/16	6-0 and ≤ 6-8	9170326	6-8	9170372
> 77 3/16 and ≤ 79 3/16	> 6-0 and ≤ 6-10	9170326	6-10	9170373
> 79 3/16 and ≤ 81 3/16	> 6-10 and ≤ 7-0	9170326	7-0	9170374
> 81 3/16 and ≤ 81 57/64	> 7-0 and ≤ 7-0 11/16	9170326	32.5	9170327
> 81 57/64 and < 83 3/16	> 7-0 11/16 and ≤ 7-2	9170326	42.5	9170328
≥ 83 3/16 and ≤ 93 3/16	> 7-2 and ≤ 8-0	9170326	8-0	9170375
> 93 3/16 and ≤ 101 57/64	> 8-0 and ≤ 8-8 11/16	9170326	52.5	9170329
> 101 57/64 and ≤ 111 57/64	> 8-8 11/16 and ≤ 9-6 11/16	9170326	62.5	9170330
> 111 57/64 and ≤ 117 57/64	> 9-6 11/16 and ≤ 10-6 11/16	9170326	10-0	9170331

E-Series Hinged Outswing Doors (March 2018 to Present)

Single, 2-Panel and Stationary

Hardware

Lock Adapter			
 Exterior	 Interior		
		Interior (Black)	Exterior (White)
		9172377	9172378

Shoot Bolt Guide	
	
	Order No.
9172374	

Screw			
Note: Used to secure lock mechanisms.			
	Active Lock Mechanism		
	Description	Standard	
	#8 x 7/16" PFHSMS #6 HEAD SS SCREW	9105316	
	Description	Stormwatch	
	#8 x 2" PFHSMS TYPE A.S. 18-8 STAINLESS STEEL	0039939	
	Passive Lock Mechanism		
	Description	Order No.	
	#8 x 2" PFHSMS TYPE A.S. 18-8 STAINLESS STEEL	Finish	
		Stainless Steel	0039939
		Colony White	0039945
		Gold	0039946
	Antique Brass	0039948	
	Black	0039949	
	Bright Brass	0039950	
	Description	Standard	
	#7 x 1 1/4" PFHSMS TYPE AB 18-8 SS	0027959	

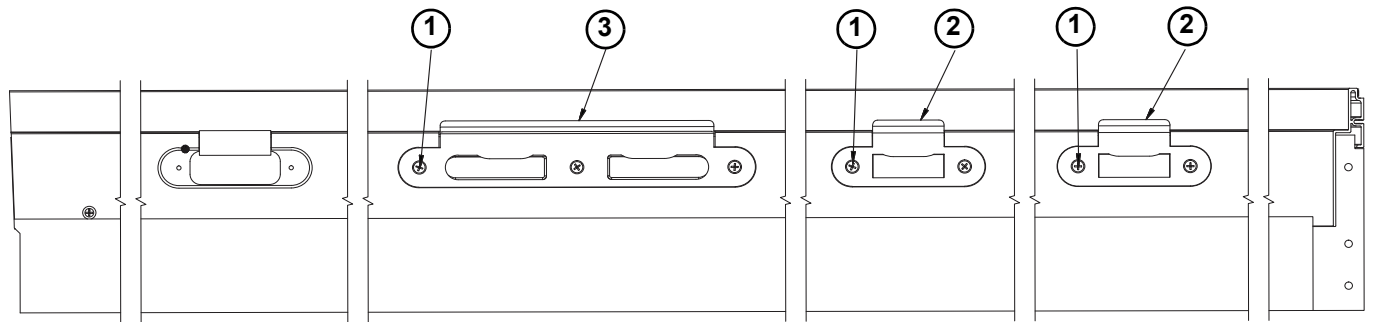
Hardware

Strikes

Latch Strike Graphic

Note:

Dust cup (not shown in graphic) sits below strike. *Stainless steel and black screws used for multiple finishes.



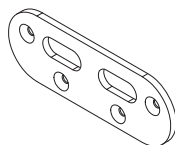
Strike / Latch

Finish	Center Strike Ref. No. 3	Latch Strike (Top/Bottom) Ref. No. 2	Screws Ref. No. 1	Dust Cup Latch Strike (Single)	Dust Cup Center (Double)	Dust Cup Center (Single)
Black	9172384	9172396	*9105312	0GU2017	9172379	9172380
Gold Dust	9172385	9172397	9173135			
Stone	9172386	9172398	9173136			
White	9172387	9172399	9105791			
Distressed Nickel	9172389	9172401	*0015331			
Oil Rubbed Bronze	9172390	9172402	*9105312			
Satin Nickel	9172391	9172403	*0015331			
Brushed Chrome	9172392	9172404	*0015331			
Polished Chrome	9172393	9172405	*0015331			
Antique Brass	9172394	9172406	9105311			
Bright Brass	9172395	9172407	9105310			

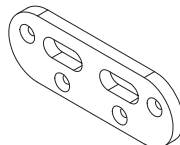
Head and Sill Strike Graphic

Note:

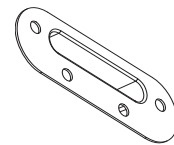
Used on double active (AP/PA) doors.



Head



Sill



Dust Cup Head

Strike / Head and Sill

		Head	Sill	Dust Cup Head
		9172935	9172375	9172381

Screw - Strike

		Order No.
		0015331

E-Series Hinged Outswing Doors (March 2018 to Present)

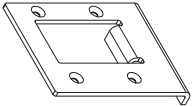
Single, 2-Panel and Stationary

Hardware

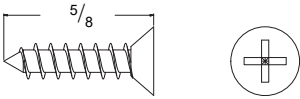
Strike - Panic (CPS) Ref. No. 3 [page 102](#)

Note:

Used on head jamb of double active CPS doors.

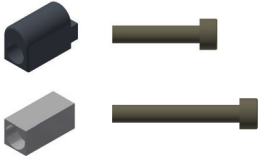
 <p style="text-align: center;">Head</p>		Head
		0040527

Screw - Panic Strike (CPS) Ref. No. 4 [page 102](#)

		Order No.
		0015331

Latch Bolt Parts

Blocker Kit / Passive

	Kit Includes	Order No.
	(1) Upper Deadbolt Blocker (1) Lower Deadbolt Blocker (2) Cylinder Head Screws	9170377

Hardware

Hinge Color Chart

Hinge Chart



Hardware Finish	Hinge Color Used	Screw Color Used	Hinge With Hardware Pack	Hinge Screw Pack (Qty 11)	Panel Hinge Screw (Each)	Frame Hinge Machine Screw (Each)
			(1) Hinge (4) #12 x 1 1/2" (2) #12 x 2 1/2" (2) #10 x 5/8 (2) Hinge Shim Cup (2) Hinge Frame Shim-030 (2) Hinge Frame Shim-060	#12 x 2 1/2"	#12 x 1 1/2"	#10-24 x 5/8
Antique Brass	Antique Brass	Antique Brass	9138859	9139541	0002362	9105803
AW White	AW White	AW White	9138858	9139540	0002361	9105807
Black	Black	Black	9138862	9139539	0002360	0006437
Distressed Bronze	Oil Rubbed Bronze	Black	9138863	9139539	0002360	0006437
Oil Rubbed Bronze	Oil Rubbed Bronze	Black	9138863	9139539	0002360	0006437
Bright Brass	Bright Brass	Brass		9139542	0002363	0006263
Gold Dust	Gold Dust	Gold Dust		9173141	9173143	9173145
Stone	Gold Dust	Gold Dust		9173141	9173143	9173145
Brushed Chrome	Satin Chrome	Stainless	9138867	9139543	0002364	0006286
Distressed Nickel	Pewter	Stainless	9138866	9139543	0002364	0006286
Polished Chrome	Bright Chrome	Stainless	9138865	9139543	0002364	0006286
Satin Nickel	Stainless Steel	Stainless	9138864	9139543	0002364	0006286

E-Series Hinged Outswing Doors (March 2018 to Present)

Single, 2-Panel and Stationary

Hardware

Hinge Parts

Hinge Kits w/screws

		Finish	Order No.
		Antique Brass	9138859
		AW White	9138858
		Black	9138862
		Oil Rubbed Bronze	9138863
		Bright Brass	
		Gold Dust	
		Satin Chrome	9138867
		Pewter	9138866
		Bright Chrome	9138865
		Stainless Steel	9138864

Hinge Screw - Jamb

Note:

5/8" ships as individual screw. 2 1/2" ships as a quantity of 11.

		Description		Description	
		#10-24 X 5/8 PFHMS		#12 X 2 1/2 PFHMS	
		Finish	Order No.	Finish	Order No.
		Antique Brass	9105803	Antique Brass	9139541
		Black	0006437	Black	9139539
		Brass	0006263	Brass	9139542
		Gold Dust	9173145	Gold Dust	9173141
		Stainless Steel	0006286	Stainless Steel	9139543
		AW White	9105807	AW White	9139540
		Gold	9105806		

Hinge Screw - Panel

		Description	Finish	Order No.
		#12 x 1 1/2 PFHWS	Antique Brass	0002362
			Black	0002360
			Brass	0002363
			Gold Dust	9173143
			Stainless Steel	0002364
			AW White	0002361

Hinge Shim/Cup

<p>CUP SHIM</p>		Finish	Size/Type	Order No.
		Black	1/32	0096006
			1/16	0096007
			Cup	0096003

Hardware

Miscellaneous Hardware Parts

Strike Plate - Top / Bottom

Note:

Includes top and bottom strike plate. See screw [color chart](#). Used on both left and right hand lock jambs and/or astragal.

		Finish	Order No.
		Black	9172396
		Gold Dust	9172397
		Stone	9172398
		White	9172399
		Distressed Nickel	9172401
		Oil Rubbed Bronze	9172402
		Satin Nickel	9172403
		Brushed Chrome	9172404
		Polished Chrome	9172405
		Antique Brass	9172406
		Bright Brass	9172407

Screw Pack - Door Lock Jamb Installation

Note:

Includes 9 screws. See screw [color chart](#).

	Description	Finish	Order No.
	#8 x 2 1/2 PH FL	White	By description
		Antique Brass	0078024
		Polished Brass	0078025
		Stainless Steel	0078026
		Black	0078022

Screw Pack - Door

Note:

Includes 6 screws. See screw [color chart](#).

	Description	Finish	Order No.
	#10 x 2 1/2 PH FL	White	0008743
		Antique Brass	0008736
		Brass	0008744
		Stainless Steel	0008746
		Black	0008747
		Bright Chrome	0008737
		Dark Bronze	0008739
		Oil Rubbed Bronze	0008745

Screw Pack - Nail Fin

	Description	Order No.
	#8 x 1/2 PPHWS	0054301

E-Series Hinged Outswing Doors (March 2018 to Present)

Single, 2-Panel and Stationary

Hardware

Fasteners

Note:

Look for additional screws listed with the part where the screw is used.

When ordering fasteners by description, provide the following details:

Product line (example: AFDO)

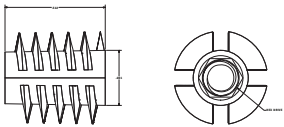
Complete size (example: #8 Round Head)

Description and color (example: Stainless Steel)

What it is used for: (example: Screen latch to astragal)

Screw - Strike Plate / Head		
	Description	Order No.
	#7 x 5/8" PFHSMS Type 17 Z & Y	0013420

Screw - Sweep		
	Description	Order No.
	#8 x 3/4" PPH #2 TEKS SCREW ZINC	0013443

Threaded Insert		
	Description	Order No.
	#10-24 Threaded Insert	0002649

Screw - Door Bolt to Astragal			
	Description	Finish	Order No.
	#8 X 3/4 TEKS PT, WS, PH, 410 SS	Stainless Steel	0020302

Screw - Sill Strike to Sill			
	Description	Finish	Order No.
	#8-32 x 1/2 PH, FH, MACHINE SCREW, SS	Steel	0047576

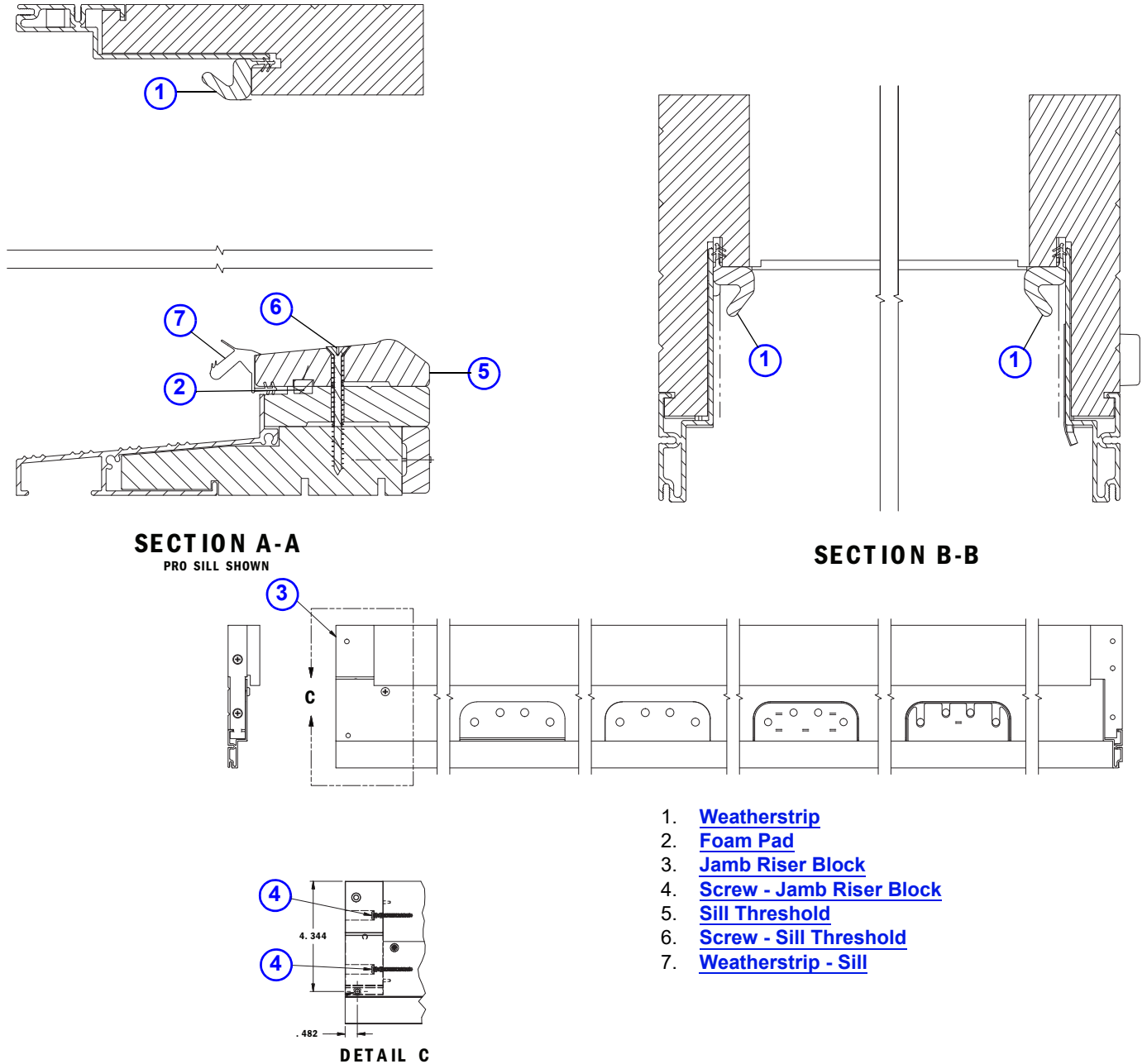
Screw - Screen Track to Sill			
	Description	Finish	Order No.
	#6 x 1/2 PH, FH, TEKS PT, WOOD, 410 SS	Steel	0069449
		Dark Bronze	0K17657

Frames

Frame Assembly Illustration / Single (Active)

Note:

Single active 4 9/16 with standard (High Performance) sill shown. See [Architectural Tools](#) for additional door configurations.



E-Series Hinged Outswing Door Frame Assembly

E-Series Hinged Outswing Doors (March 2018 to Present)

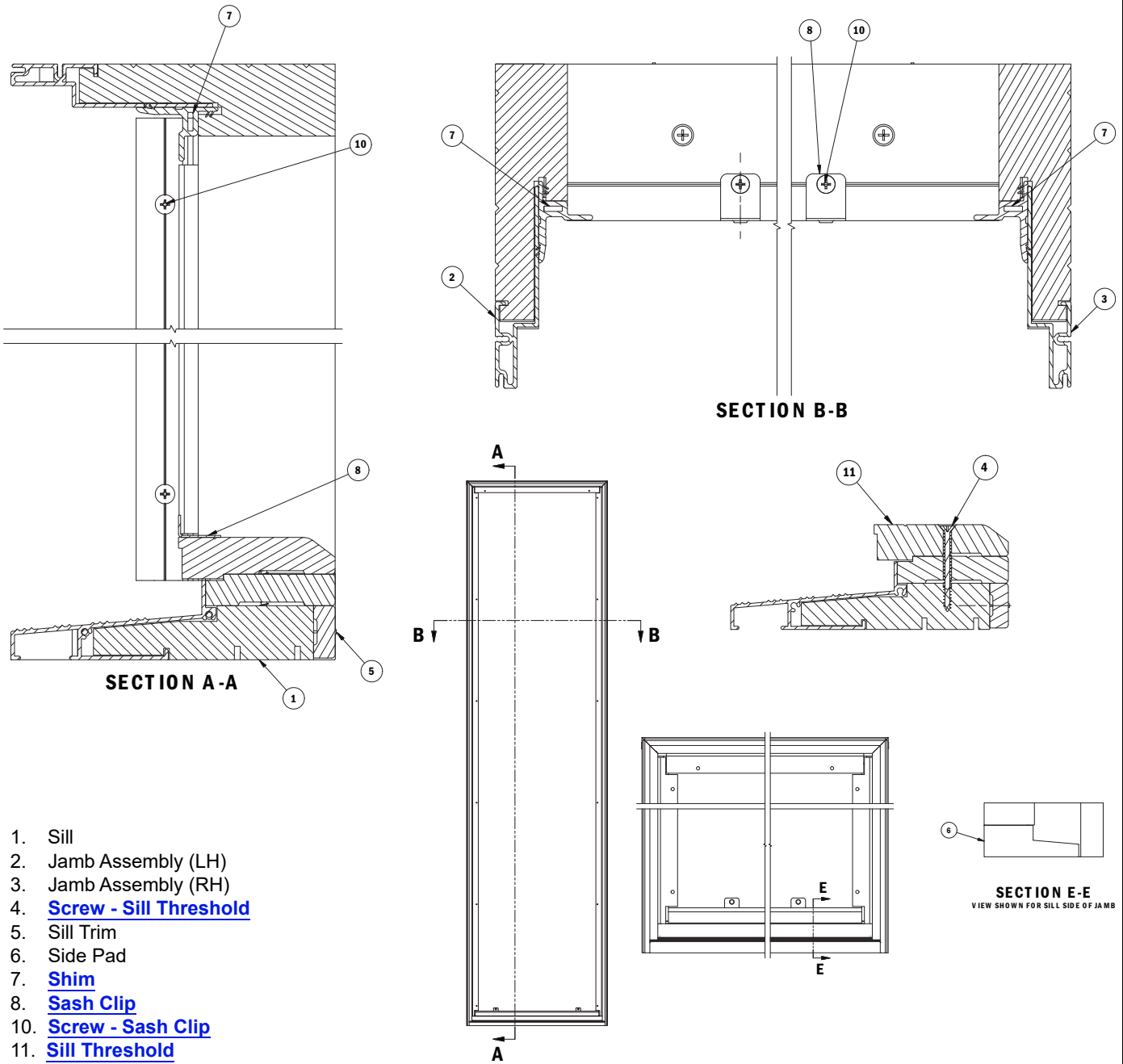
Single, 2-Panel and Stationary

Frames

Frame Assembly Illustration / Single (Stationary)

Note:

See [Architectural Tools](#) for additional door configurations.



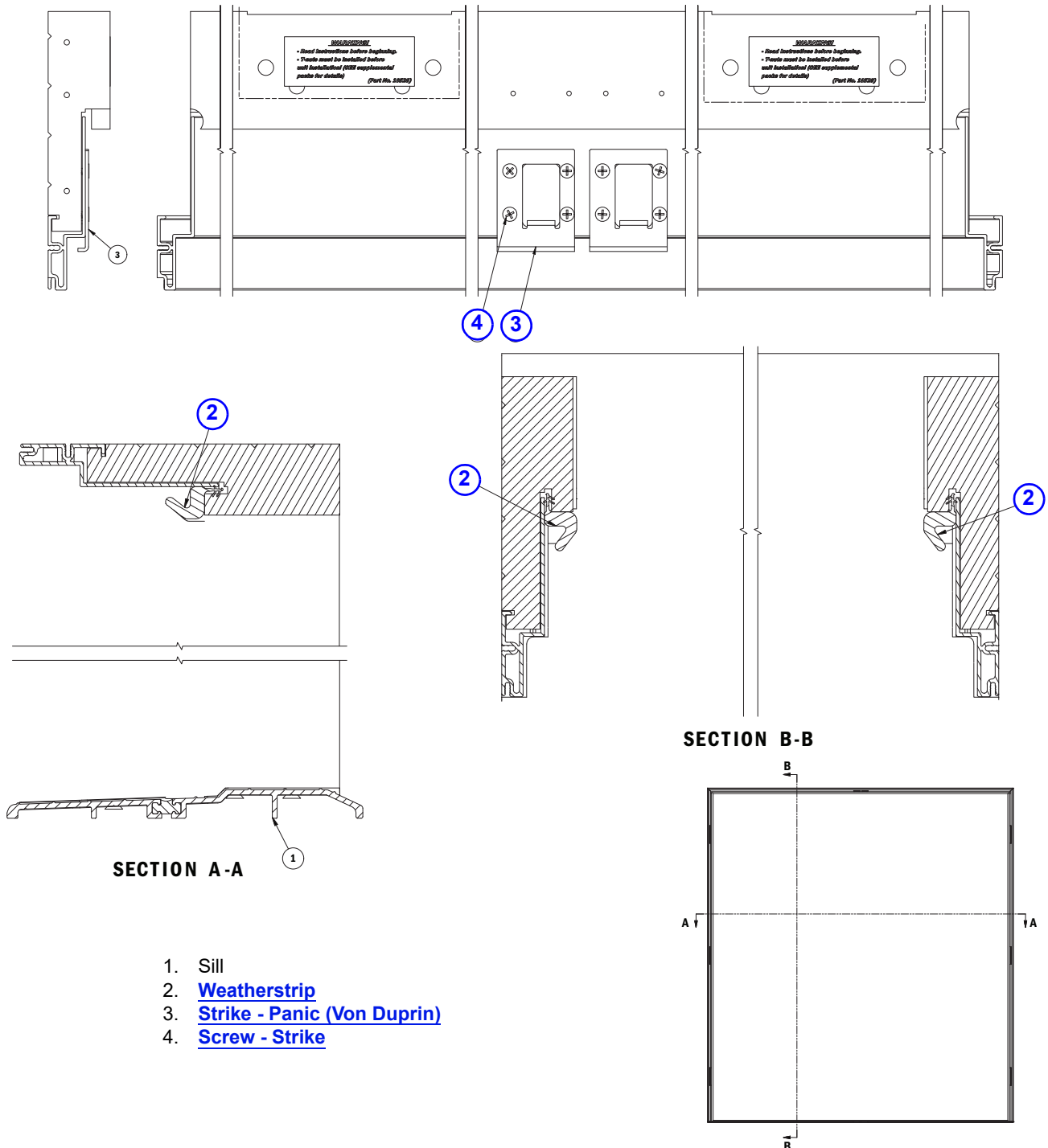
E-Series Hinged Outswing Door Frame Assembly Stationary

Frames

Frame Assembly Illustration / 2-Panel (CPS)

Note:

Double active 4 9/16 shown. See [Architectural Tools](#) for additional door configurations.



E-Series Hinged Outswing Door Frame Assembly Double CPS

E-Series Hinged Outswing Doors (March 2018 to Present)

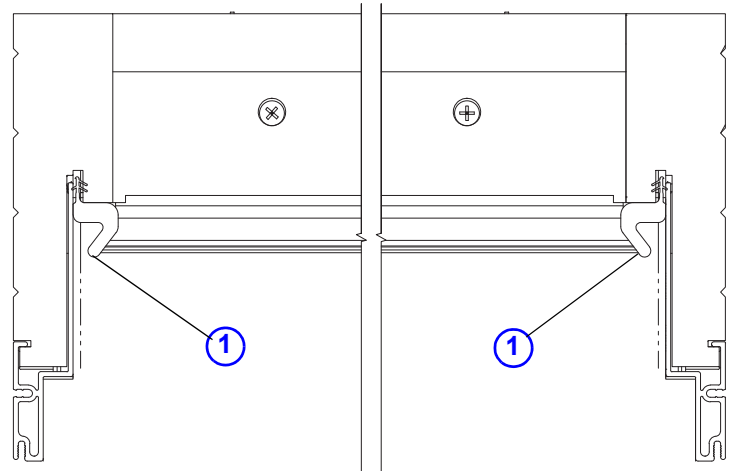
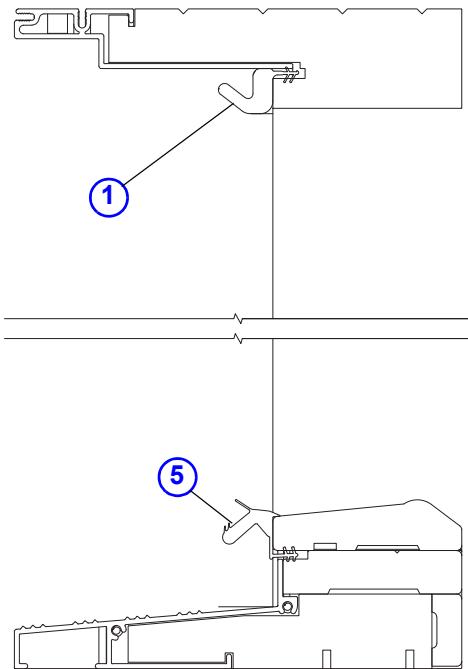
Single, 2-Panel and Stationary

Frames

Frame Assembly Illustration / 2-Panel (AP)

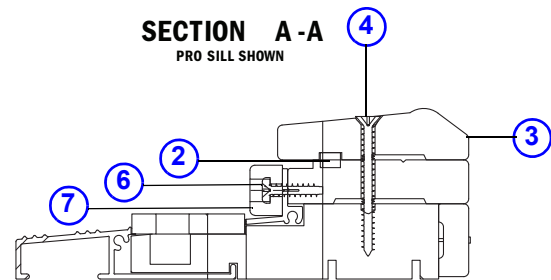
Note:

Double active 4 9/16 shown. See [Architectural Tools](#) for additional door configurations.



SECTION B-B

SECTION A-A
PRO SILL SHOWN



SILL SHOWING BUMPER

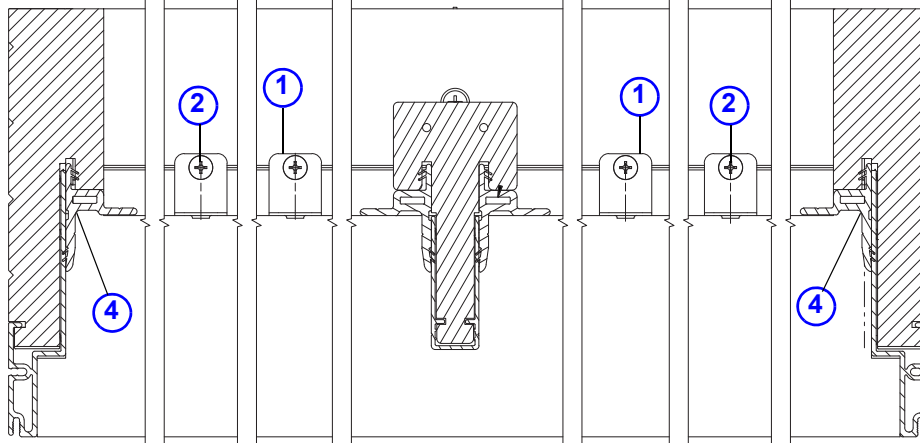
- 1. [Weatherstrip](#)
- 2. [Foam Pad](#)
- 3. [Sill Threshold](#)
- 4. [Screw - Sill Threshold](#)
- 5. [Weatherstrip - Sill](#)
- 6. [Screw](#)
- 7. [Bumper](#)

E-Series Hinged Outswing Door Frame Assembly Double

Frames

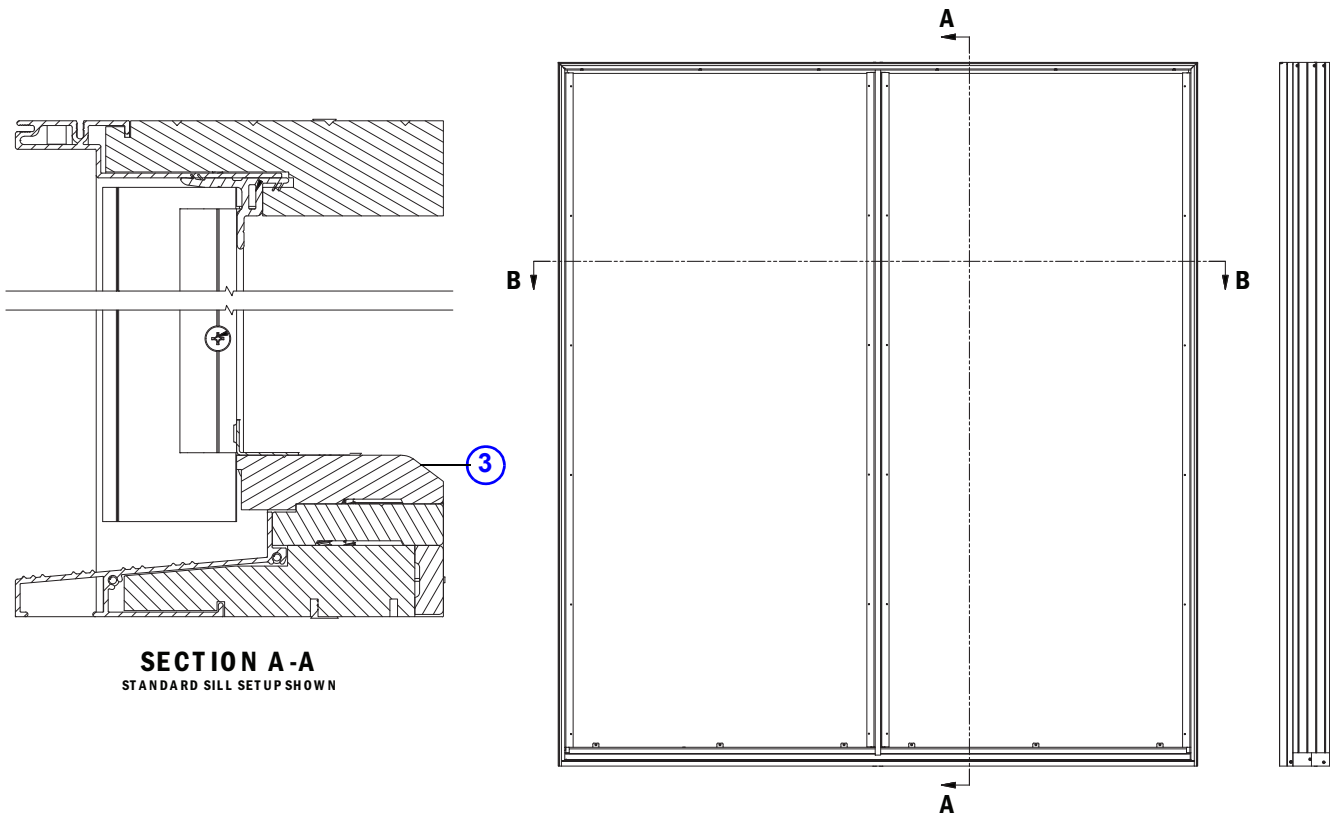
Frame Assembly Illustration / 2-Panel (Stationary)

Note:
See [Architectural Tools](#) for additional door configurations.



1. [Sash Clip](#)
2. [Screw - Sash Clip](#)
3. [Sill Threshold](#)
4. [Shim](#)

SECTION B-B



SECTION A-A
STANDARD SILL SETUP SHOWN

E-Series Hinged Outswing Door Frame Assembly Double

Frames

Note:

Replacement frame for standard and custom-sized doors can be configured through iQ+.

Panel Options

Single, 2-panel (double), Commercial, CPS

Handling Options

Single: Left, right, stationary

Double: AP, PA, SS

[Exterior color options](#)

[Interior species/finish/color options](#)

[Glazing options](#)

To order, state:

1. Description of Part (Frame Assembly)
2. Quantity
3. Panel Style
4. Handling
5. Color/species/finish/color
6. Product ID (from product label, see [page 12](#))
7. Options Desired (if different than original product)

Frames

Panel Stops

Panel Stop

Note:

See [species/finish/color options](#).

To order, state:

1. Description of Part (Panel Stop)
2. Profile (Ovolo, Contemporary)
3. Species/finish/color
4. Frame Width/Height
5. Length
6. Quantity
7. Product ID (from product label, see [page 12](#))
8. Options Desired (if different than original product)

E-Series Hinged Outswing Doors (March 2018 to Present)

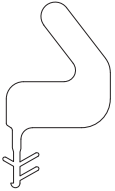
Single, 2-Panel and Stationary

Frames

Weatherstrip

Weatherstrip / Frame Ref. No. 1 [page 100](#) & No. 1 [page 103](#) & No. 2 [page 102](#)

Note:
Secures to the frame.

		Unit No.	Length	Dark Bronze
		AFDO	37"	0007220
			74"	0007222
			81"	0007223
			85"	0007224
			97"	0007225
			120"	0007226

Weatherstrip / High Performance Sill


Ref. No. 7 [page 100](#) & No. 5 [page 103](#)

Note:
Secures to standard (High Performance) sill.

		Unit No.	Length	Dark Bronze
		AFDO	-	9096432
			102"	0520088
			147"	0069294

Weatherstrip / Bulb

Note:
Secures to stationary panel.

		Unit No.	Color	Length	Order No.
		AFDO	White	120"	9103912
				300"	9103816
			Black	120"	9103913
				300"	9103817

Weatherstrip / Fuzz Pad

Ref. No. 9 [page 25](#)

Note:
Secures to astragal.

		Unit No.	Length	Order No.
		AFDO	-	0070533

Weatherstrip / Jamb Pad

Ref. No. 16 [page 20](#)

Note:
Secures to astragal.

		Unit No.	Length	Order No.
		AFDO	-	9149606

Frames

Sill Parts

Oak Threshold Ref. No. 5 [page 100](#) No. 9 [page 101](#)

Note:
Specify unit width.

		Order No.
		By description

Screw - Oak Threshold Ref. No. 6 [page 100](#) No. 4 [page 101](#)

		Order No.
		9105313

Foam Pad Ref. No. 2 [page 100](#)

		Length	Order No.
		600"	0004668

Bumper - Rubber Ref. No. 7 [page 103](#)

Note:
Two per sill.

 		Order No.
		016765E

Screw - Bumper Ref. No. 6 [page 103](#)

Note:
Two per sill.

		Order No.
		0013443

E-Series Hinged Outswing Doors (March 2018 to Present)

Single, 2-Panel and Stationary

Frames

Frame Parts

Jamb Riser Block Ref. No. 3 [page 100](#)

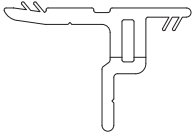
		Order No.
		0020324

Screw - Jamb Riser Block Ref. No. 4 [page 100](#)

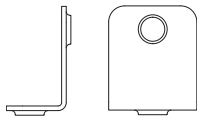
		Order No.
		0033463

Shim Ref. No. 7 [page 101](#)

Note:
Secures to the frame.

		Unit No.	Size	Order No.
		AFDO	6-8	0069273
			6-10	0069274
			7-0	0069275
			8-0	0069276
			2-0	0069292
			3-0	0069293
			144"	0069272

Clip Ref. No. 8 [page 101](#)

		Order No.
		0059015

Screw - Clip Ref. No. 10 [page 101](#)

		Order No.
		0020302

Frames
