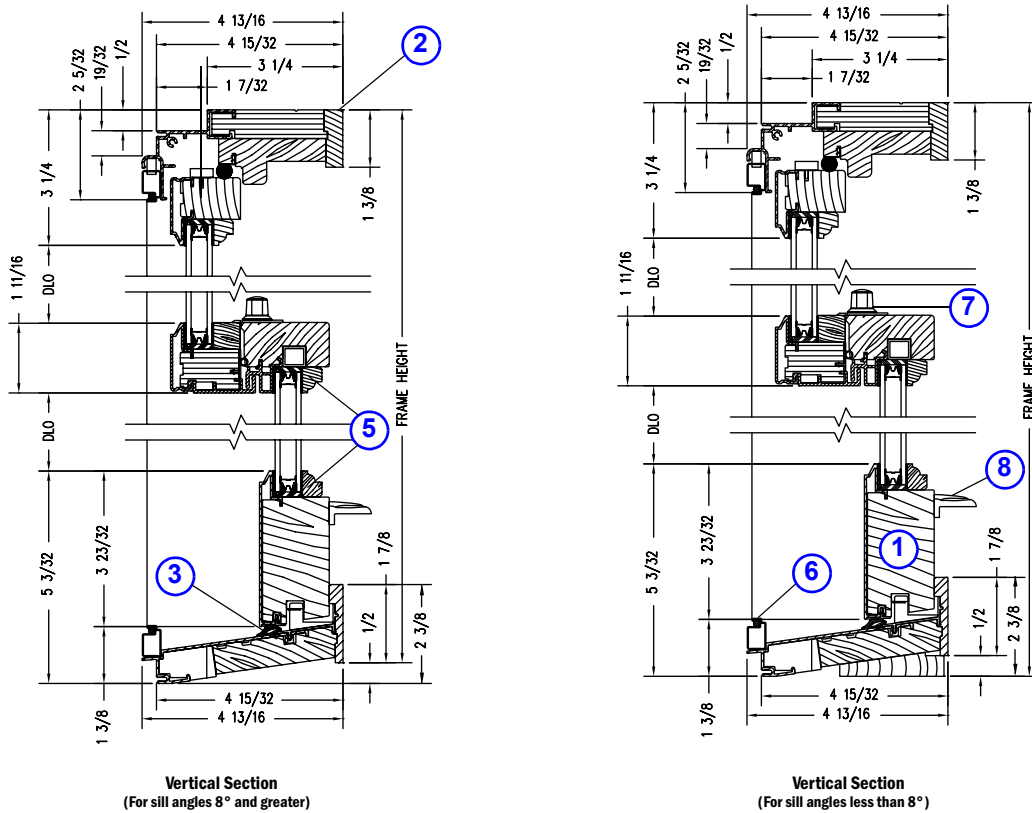


What's in This Section

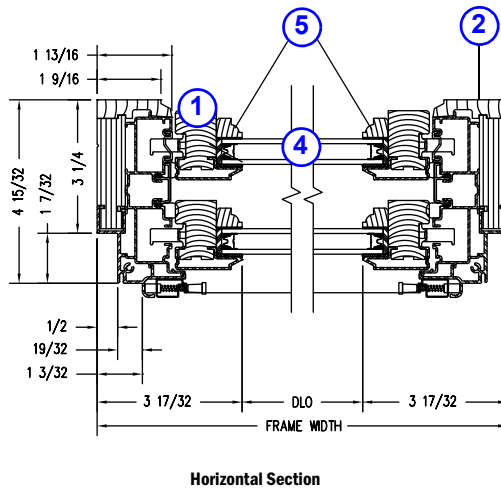
Custom Windows	Page 3
Parts Illustration	3
Parts Illustration	3
Colors - Exterior	4
Colors/Species/Finishes - Interior	5
Unit Sizes	6
Custom Window Sizes	6
E Series Product Label	6
Unit Size Chart - Custom Windows	7
Sash Size Table	8
Sash	14
Sash Graphic - Upper	14
Sash Options - Upper	15
Sash Graphic - Lower	16
Sash Options - Lower	17
Weatherstrip	18
Sash Hardware / Lifts	19
Sash Hardware / Lock & Keeper	20
Sash Hardware / Latch Kits	22
Sash Components / Miscellaneous	22
Glass	23
Glass	23
Glass Stops	24
Glass Parts	25
Sash Balancers	26
Sash Balancers	26
Balancer Parts	27
Insect Screens	28
Insect Screen Graphic - Full	28
Insect Screen Size Table - Full	29
Insect Screen Graphic - Half	31
Insect Screen Size Table - Half	32
Insect Screen Retainer	34
Insect Screen Parts	35
Grilles	36
Grilles	36
Grille Options	37

Interior Grille Parts	38
Frames	39
Frame Graphic	39
Frame Graphic - Jamb Liner Assembly	40
Frame	41
Stops	42
Weatherstrip	43
Hardware and Frame Parts	44

Parts Illustration



Shown with ovolo (colonial) glass stops.



1. [Sash](#)
2. [Stop \(Head, Side, Sill\)](#)
3. [Weatherstrip](#)
4. [Glass](#)
5. [Stop \(Glass\)](#)
6. [Insect Screen](#)
7. [Lock](#)
8. [Lift](#)

E-Series Double-Hung Venting Insert Window Unit

Parts Illustration

Colors - Exterior

Note:
(*) Anodized Finishes

			Colony White	White	Abalone	Balsa White
			Canvas	Maple Syrup	Harvest Gold	Prairie Grass
Flagstone	Sandtone	Pebble Tan	Carmel	Terratone	Hot Chocolate	Bourbon
Acorn	Coffee Bean	Cocoa Bean	Sierra Bronze	Dark Bronze	Clay Canyon	Red Rock
Cardinal	Bing Cherry	Fire Engine Red	Cinnamon Toast	Olive	Sage	Billiard Green
Moss	Forest Green	Mallard Green	Spearmint	Aquamarine	Patina	Sky Blue
Country Blue	Blue Denim	Watercolor Blue	Caribbean Blue	Slate	Moody Blue	Stormy Blue
Dove Gray	Harbor Mist	Yorktown Pewter	Smokey Gray	Mystic Gray	Dark Ash	Black
Light Bronze*	Champagne*	Clear Anodized*	Black	Dark Bronze*	Copper*	Medium Bronze*

Colors/Species/Finishes - Interior

Species Interior Options



Stained Interior Options



Painted Interior Options



Unit Sizes

Custom Window Sizes

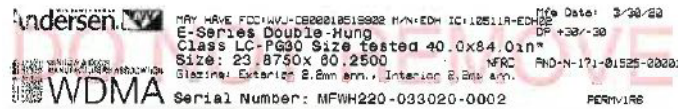
Note:

E-Series Double-Hung Venting Insert Windows are available in custom sizes in 1/8" increments between the smallest and the largest sizes. Most replacement parts for custom-sized windows are made to order and can be ordered with the Product ID found on the identification label and a description of the part needed. See [Service Guide 9051877](#).

E Series Product Label

Note:

Every E-Series Double-Hung Venting Insert Window will have an identification label **or** glass etching containing a unique Product ID. The Product ID on Double-Hung Venting Insert Windows will be located at the top of the window frame or etched into the glass. See [Service Guide 9051877](#). The Product ID may be up to 14 digits long (excluding hyphens), depending on the age of the unit. Replacement parts will also get their own unique Product ID. When ordering replacement parts, providing the Product ID ensures that replacement parts match the specifications.



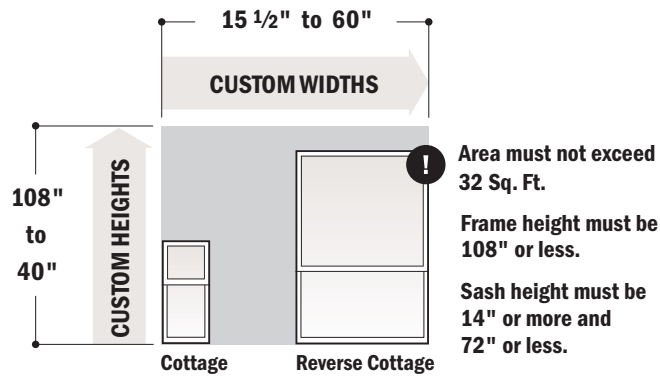
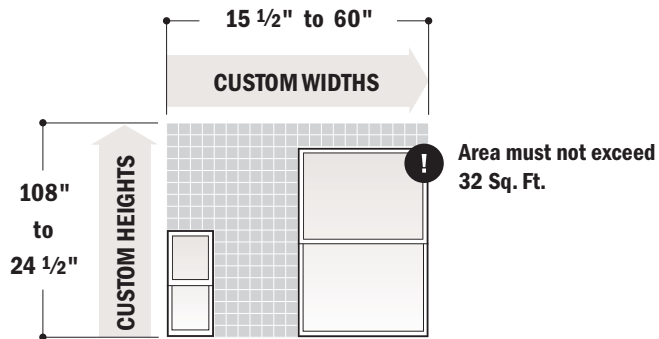
Unit Sizes

Unit Size Chart - Custom Windows

Note:

Available in 1/8" increments. Sash not to exceed 92 pounds. See current [custom sizes](#) available.

Unit Size Table - Vent



Unit Sizes

Sash Size Table

Note:

See FS00302 for additional information.

Sash Size Table (DH) - Upper Sash			Sash Size Table (DH) - Lower Sash		
Unit No.	Overall Upper Sash w x h	Unobstructed Glass w x h	Overall Lower Sash w x h	Unobstructed Glass w x h	
18	TRET1830	16 ³ / ₁₆ X 16 ¹⁹ / ₆₄	12 ¹⁵ / ₁₆ X 13	16 ³ / ₁₆ X 18 ²⁷ / ₆₄	12 ¹⁵ / ₁₆ X 13
	TRET1834	16 ³ / ₁₆ X 18 ¹⁹ / ₆₄	12 ¹⁵ / ₁₆ X 15	16 ³ / ₁₆ X 20 ²⁷ / ₆₄	12 ¹⁵ / ₁₆ X 15
	TRET1838	16 ³ / ₁₆ X 20 ¹⁹ / ₆₄	12 ¹⁵ / ₁₆ X 17	16 ³ / ₁₆ X 22 ²⁷ / ₆₄	12 ¹⁵ / ₁₆ X 17
	TRET1840	16 ³ / ₁₆ X 22 ¹⁹ / ₆₄	12 ¹⁵ / ₁₆ X 19	16 ³ / ₁₆ X 24 ²⁷ / ₆₄	12 ¹⁵ / ₁₆ X 19
	TRET1846	16 ³ / ₁₆ X 25 ¹⁹ / ₆₄	12 ¹⁵ / ₁₆ X 22	16 ³ / ₁₆ X 27 ²⁷ / ₆₄	12 ¹⁵ / ₁₆ X 22
	TRET1848	16 ³ / ₁₆ X 26 ¹⁹ / ₆₄	12 ¹⁵ / ₁₆ X 23	16 ³ / ₁₆ X 28 ²⁷ / ₆₄	12 ¹⁵ / ₁₆ X 23
	TRET1849	16 ³ / ₁₆ X 26 ⁵¹ / ₆₄	12 ¹⁵ / ₁₆ X 23 ¹ / ₂	16 ³ / ₁₆ X 28 ⁵⁹ / ₆₄	12 ¹⁵ / ₁₆ X 23 ¹ / ₂
	TRET1850	16 ³ / ₁₆ X 28 ¹⁹ / ₆₄	12 ¹⁵ / ₁₆ X 25	16 ³ / ₁₆ X 30 ²⁷ / ₆₄	12 ¹⁵ / ₁₆ X 25
	TRET1851	16 ³ / ₁₆ X 28 ⁵¹ / ₆₄	12 ¹⁵ / ₁₆ X 25 ¹ / ₂	16 ³ / ₁₆ X 30 ⁵⁹ / ₆₄	12 ¹⁵ / ₁₆ X 25 ¹ / ₂
	TRET1856	16 ³ / ₁₆ X 31 ¹⁹ / ₆₄	12 ¹⁵ / ₁₆ X 28	16 ³ / ₁₆ X 33 ²⁷ / ₆₄	12 ¹⁵ / ₁₆ X 28
	TRET1860	16 ³ / ₁₆ X 34 ¹⁹ / ₆₄	12 ¹⁵ / ₁₆ X 31	16 ³ / ₁₆ X 36 ²⁷ / ₆₄	12 ¹⁵ / ₁₆ X 31
	TRET1866	16 ³ / ₁₆ X 37 ¹⁹ / ₆₄	12 ¹⁵ / ₁₆ X 34	16 ³ / ₁₆ X 39 ²⁷ / ₆₄	12 ¹⁵ / ₁₆ X 34
	TRET1870	16 ³ / ₁₆ X 40 ¹⁹ / ₆₄	12 ¹⁵ / ₁₆ X 37	16 ³ / ₁₆ X 42 ²⁷ / ₆₄	12 ¹⁵ / ₁₆ X 37
	TRET1876	16 ³ / ₁₆ X 43 ¹⁹ / ₆₄	12 ¹⁵ / ₁₆ X 40	16 ³ / ₁₆ X 45 ²⁷ / ₆₄	12 ¹⁵ / ₁₆ X 40
20	TRET2030	20 ³ / ₁₆ X 16 ¹⁹ / ₆₄	16 ¹⁵ / ₁₆ X 13	20 ³ / ₁₆ X 18 ²⁷ / ₆₄	16 ¹⁵ / ₁₆ X 13
	TRET2034	20 ³ / ₁₆ X 18 ¹⁹ / ₆₄	16 ¹⁵ / ₁₆ X 15	20 ³ / ₁₆ X 20 ²⁷ / ₆₄	16 ¹⁵ / ₁₆ X 15
	TRET2038	20 ³ / ₁₆ X 20 ¹⁹ / ₆₄	16 ¹⁵ / ₁₆ X 17	20 ³ / ₁₆ X 22 ²⁷ / ₆₄	16 ¹⁵ / ₁₆ X 17
	TRET2040	20 ³ / ₁₆ X 22 ¹⁹ / ₆₄	16 ¹⁵ / ₁₆ X 19	20 ³ / ₁₆ X 24 ²⁷ / ₆₄	16 ¹⁵ / ₁₆ X 19
	TRET2046	20 ³ / ₁₆ X 25 ¹⁹ / ₆₄	16 ¹⁵ / ₁₆ X 22	20 ³ / ₁₆ X 27 ²⁷ / ₆₄	16 ¹⁵ / ₁₆ X 22
	TRET2048	20 ³ / ₁₆ X 26 ¹⁹ / ₆₄	16 ¹⁵ / ₁₆ X 23	20 ³ / ₁₆ X 28 ²⁷ / ₆₄	16 ¹⁵ / ₁₆ X 23
	TRET2049	20 ³ / ₁₆ X 26 ⁵¹ / ₆₄	16 ¹⁵ / ₁₆ X 23 ¹ / ₂	20 ³ / ₁₆ X 28 ⁵⁹ / ₆₄	16 ¹⁵ / ₁₆ X 23 ¹ / ₂
	TRET2050	20 ³ / ₁₆ X 28 ¹⁹ / ₆₄	16 ¹⁵ / ₁₆ X 25	20 ³ / ₁₆ X 30 ²⁷ / ₆₄	16 ¹⁵ / ₁₆ X 25
	TRET2051	20 ³ / ₁₆ X 28 ⁵¹ / ₆₄	16 ¹⁵ / ₁₆ X 25 ¹ / ₂	20 ³ / ₁₆ X 30 ⁵⁹ / ₆₄	16 ¹⁵ / ₁₆ X 25 ¹ / ₂
	TRET2056	20 ³ / ₁₆ X 31 ¹⁹ / ₆₄	16 ¹⁵ / ₁₆ X 28	20 ³ / ₁₆ X 33 ²⁷ / ₆₄	16 ¹⁵ / ₁₆ X 28
	TRET2060	20 ³ / ₁₆ X 34 ¹⁹ / ₆₄	16 ¹⁵ / ₁₆ X 31	20 ³ / ₁₆ X 36 ²⁷ / ₆₄	16 ¹⁵ / ₁₆ X 31
	TRET2066	20 ³ / ₁₆ X 37 ¹⁹ / ₆₄	16 ¹⁵ / ₁₆ X 34	20 ³ / ₁₆ X 39 ²⁷ / ₆₄	16 ¹⁵ / ₁₆ X 34
	TRET2070	20 ³ / ₁₆ X 40 ¹⁹ / ₆₄	16 ¹⁵ / ₁₆ X 37	20 ³ / ₁₆ X 42 ²⁷ / ₆₄	16 ¹⁵ / ₁₆ X 37
	TRET2076	20 ³ / ₁₆ X 43 ¹⁹ / ₆₄	16 ¹⁵ / ₁₆ X 40	20 ³ / ₁₆ X 45 ²⁷ / ₆₄	16 ¹⁵ / ₁₆ X 40

E-Series DH Venting Insert Windows (8/2003 to 12/2007)

Custom Windows

Unit Sizes

Sash Size Table (DH) - Upper Sash			Sash Size Table (DH) - Lower Sash		
	Unit No.	Overall Upper Sash w x h	Unobstructed Glass w x h	Overall Lower Sash w x h	Unobstructed Glass w x h
24	TRET2430	24 ³ / ₁₆ x 16 ¹⁹ / ₆₄	20 ¹⁵ / ₁₆ x 13	24 ³ / ₁₆ x 18 ²⁷ / ₆₄	20 ²⁰ / ₁₆ x 13
	TRET2434	24 ³ / ₁₆ x 18 ¹⁹ / ₆₄	20 ¹⁵ / ₁₆ x 15	24 ³ / ₁₆ x 20 ²⁷ / ₆₄	20 ¹⁵ / ₁₆ x 15
	TRET2438	24 ³ / ₁₆ x 20 ¹⁹ / ₆₄	20 ¹⁵ / ₁₆ x 17	24 ³ / ₁₆ x 22 ²⁷ / ₆₄	20 ¹⁵ / ₁₆ x 17
	TRET2440	24 ³ / ₁₆ x 22 ¹⁹ / ₆₄	20 ¹⁵ / ₁₆ x 19	24 ³ / ₁₆ x 24 ²⁷ / ₆₄	20 ¹⁵ / ₁₆ x 19
	TRET2446	24 ³ / ₁₆ x 25 ¹⁹ / ₆₄	20 ¹⁵ / ₁₆ x 22	24 ³ / ₁₆ x 27 ²⁷ / ₆₄	20 ¹⁵ / ₁₆ x 22
	TRET2448	24 ³ / ₁₆ x 26 ¹⁹ / ₆₄	20 ¹⁵ / ₁₆ x 23	24 ³ / ₁₆ x 28 ²⁷ / ₆₄	20 ¹⁵ / ₁₆ x 23
	TRET2449	24 ³ / ₁₆ x 26 ⁵¹ / ₆₄	20 ¹⁵ / ₁₆ x 23 ¹ / ₂	24 ³ / ₁₆ x 28 ⁵⁹ / ₆₄	20 ¹⁵ / ₁₆ x 23 ¹ / ₂
	TRET2450	24 ³ / ₁₆ x 28 ¹⁹ / ₆₄	20 ¹⁵ / ₁₆ x 25	24 ³ / ₁₆ x 30 ²⁷ / ₆₄	20 ¹⁵ / ₁₆ x 25
	TRET2451	24 ³ / ₁₆ x 28 ⁵¹ / ₆₄	20 ¹⁵ / ₁₆ x 25 ¹ / ₂	24 ³ / ₁₆ x 30 ⁵⁹ / ₆₄	20 ¹⁵ / ₁₆ x 25 ¹ / ₂
	TRET2456	24 ³ / ₁₆ x 31 ¹⁹ / ₆₄	20 ¹⁵ / ₁₆ x 28	24 ³ / ₁₆ x 33 ²⁷ / ₆₄	20 ¹⁵ / ₁₆ x 28
	TRET2460	24 ³ / ₁₆ x 34 ¹⁹ / ₆₄	20 ¹⁵ / ₁₆ x 31	24 ³ / ₁₆ x 36 ²⁷ / ₆₄	20 ¹⁵ / ₁₆ x 31
	TRET2466	24 ³ / ₁₆ x 37 ¹⁹ / ₆₄	20 ¹⁵ / ₁₆ x 34	24 ³ / ₁₆ x 39 ²⁷ / ₆₄	20 ¹⁵ / ₁₆ x 34
	TRET2470	24 ³ / ₁₆ x 40 ¹⁹ / ₆₄	20 ¹⁵ / ₁₆ x 37	24 ³ / ₁₆ x 42 ²⁷ / ₆₄	20 ¹⁵ / ₁₆ x 37
	TRET2476	24 ³ / ₁₆ x 43 ¹⁹ / ₆₄	20 ¹⁵ / ₁₆ x 40	24 ³ / ₁₆ x 45 ²⁷ / ₆₄	20 ¹⁵ / ₁₆ x 40
26	TRET2630	26 ³ / ₁₆ x 16 ¹⁹ / ₆₄	22 ¹⁵ / ₁₆ x 13	26 ³ / ₁₆ x 18 ²⁷ / ₆₄	22 ¹⁵ / ₁₆ x 13
	TRET2634	26 ³ / ₁₆ x 18 ¹⁹ / ₆₄	22 ¹⁵ / ₁₆ x 15	26 ³ / ₁₆ x 20 ²⁷ / ₆₄	22 ¹⁵ / ₁₆ x 15
	TRET2638	26 ³ / ₁₆ x 20 ¹⁹ / ₆₄	22 ¹⁵ / ₁₆ x 17	26 ³ / ₁₆ x 22 ²⁷ / ₆₄	22 ¹⁵ / ₁₆ x 17
	TRET2640	26 ³ / ₁₆ x 22 ¹⁹ / ₆₄	22 ¹⁵ / ₁₆ x 19	26 ³ / ₁₆ x 24 ²⁷ / ₆₄	22 ¹⁵ / ₁₆ x 19
	TRET2646	26 ³ / ₁₆ x 25 ¹⁹ / ₆₄	22 ¹⁵ / ₁₆ x 22	26 ³ / ₁₆ x 27 ²⁷ / ₆₄	22 ¹⁵ / ₁₆ x 22
	TRET2648	26 ³ / ₁₆ x 26 ¹⁹ / ₆₄	22 ¹⁵ / ₁₆ x 23	26 ³ / ₁₆ x 28 ²⁷ / ₆₄	22 ¹⁵ / ₁₆ x 23
	TRET2649	26 ³ / ₁₆ x 26 ⁵¹ / ₆₄	22 ¹⁵ / ₁₆ x 23 ¹ / ₂	26 ³ / ₁₆ x 28 ⁵⁹ / ₆₄	22 ¹⁵ / ₁₆ x 23 ¹ / ₂
	TRET2650	26 ³ / ₁₆ x 28 ¹⁹ / ₆₄	22 ¹⁵ / ₁₆ x 25	26 ³ / ₁₆ x 30 ²⁷ / ₆₄	22 ¹⁵ / ₁₆ x 25
	TRET2651	26 ³ / ₁₆ x 28 ⁵¹ / ₆₄	22 ¹⁵ / ₁₆ x 25 ¹ / ₂	26 ³ / ₁₆ x 30 ⁵⁹ / ₆₄	22 ¹⁵ / ₁₆ x 25 ¹ / ₂
	TRET2656	26 ³ / ₁₆ x 31 ¹⁹ / ₆₄	22 ¹⁵ / ₁₆ x 28	26 ³ / ₁₆ x 33 ²⁷ / ₆₄	22 ¹⁵ / ₁₆ x 28
	TRET2660	26 ³ / ₁₆ x 34 ¹⁹ / ₆₄	22 ¹⁵ / ₁₆ x 31	26 ³ / ₁₆ x 36 ²⁷ / ₆₄	22 ¹⁵ / ₁₆ x 31
	TRET2666	26 ³ / ₁₆ x 37 ¹⁹ / ₆₄	22 ¹⁵ / ₁₆ x 34	26 ³ / ₁₆ x 39 ²⁷ / ₆₄	22 ¹⁵ / ₁₆ x 34
	TRET2670	26 ³ / ₁₆ x 40 ¹⁹ / ₆₄	22 ¹⁵ / ₁₆ x 37	26 ³ / ₁₆ x 42 ²⁷ / ₆₄	22 ¹⁵ / ₁₆ x 37
	TRET2676	26 ³ / ₁₆ x 43 ¹⁹ / ₆₄	22 ¹⁵ / ₁₆ x 40	26 ³ / ₁₆ x 45 ²⁷ / ₆₄	22 ¹⁵ / ₁₆ x 40

Unit Sizes

Sash Size Table (DH) - Upper Sash			Sash Size Table (DH) - Lower Sash		
Unit No.	Overall Upper Sash w x h	Unobstructed Glass w x h	Overall Lower Sash w x h	Unobstructed Glass w x h	
28	TRET2830	28 ³ / ₁₆ X 16 ¹⁹ / ₆₄	24 ¹⁵ / ₁₆ X 13	28 ³ / ₁₆ X 18 ²⁷ / ₆₄	24 ¹⁵ / ₁₆ X 13
	TRET2834	28 ³ / ₁₆ X 18 ¹⁹ / ₆₄	24 ¹⁵ / ₁₆ X 15	28 ³ / ₁₆ X 20 ²⁷ / ₆₄	24 ¹⁵ / ₁₆ X 15
	TRET2838	28 ³ / ₁₆ X 20 ¹⁹ / ₆₄	24 ¹⁵ / ₁₆ X 17	28 ³ / ₁₆ X 22 ²⁷ / ₆₄	24 ¹⁵ / ₁₆ X 17
	TRET2840	28 ³ / ₁₆ X 22 ¹⁹ / ₆₄	24 ¹⁵ / ₁₆ X 19	28 ³ / ₁₆ X 24 ²⁷ / ₆₄	24 ¹⁵ / ₁₆ X 19
	TRET2846	28 ³ / ₁₆ X 25 ¹⁹ / ₆₄	24 ¹⁵ / ₁₆ X 22	28 ³ / ₁₆ X 27 ²⁷ / ₆₄	24 ¹⁵ / ₁₆ X 22
	TRET2848	28 ³ / ₁₆ X 26 ¹⁹ / ₆₄	24 ¹⁵ / ₁₆ X 23	28 ³ / ₁₆ X 28 ²⁷ / ₆₄	24 ¹⁵ / ₁₆ X 23
	TRET2849	28 ³ / ₁₆ X 26 ⁵¹ / ₆₄	24 ¹⁵ / ₁₆ X 23 ¹ / ₂	28 ³ / ₁₆ X 28 ⁵⁹ / ₆₄	24 ¹⁵ / ₁₆ X 23 ¹ / ₂
	TRET2850	28 ³ / ₁₆ X 28 ¹⁹ / ₆₄	24 ¹⁵ / ₁₆ X 25	28 ³ / ₁₆ X 30 ²⁷ / ₆₄	24 ¹⁵ / ₁₆ X 25
	TRET2851	28 ³ / ₁₆ X 28 ⁵¹ / ₆₄	24 ¹⁵ / ₁₆ X 25 ¹ / ₂	28 ³ / ₁₆ X 30 ⁵⁹ / ₆₄	24 ¹⁵ / ₁₆ X 25 ¹ / ₂
	TRET2856	28 ³ / ₁₆ X 31 ¹⁹ / ₆₄	24 ¹⁵ / ₁₆ X 28	28 ³ / ₁₆ X 33 ²⁷ / ₆₄	24 ¹⁵ / ₁₆ X 28
	TRET2860	28 ³ / ₁₆ X 34 ¹⁹ / ₆₄	24 ¹⁵ / ₁₆ X 31	28 ³ / ₁₆ X 36 ²⁷ / ₆₄	24 ¹⁵ / ₁₆ X 31
	TRET2866	28 ³ / ₁₆ X 37 ¹⁹ / ₆₄	24 ¹⁵ / ₁₆ X 34	28 ³ / ₁₆ X 39 ²⁷ / ₆₄	24 ¹⁵ / ₁₆ X 34
	TRET2870	28 ³ / ₁₆ X 40 ¹⁹ / ₆₄	24 ¹⁵ / ₁₆ X 37	28 ³ / ₁₆ X 42 ²⁷ / ₆₄	24 ¹⁵ / ₁₆ X 37
	TRET2876	28 ³ / ₁₆ X 43 ¹⁹ / ₆₄	24 ¹⁵ / ₁₆ X 40	28 ³ / ₁₆ X 45 ²⁷ / ₆₄	24 ¹⁵ / ₁₆ X 40
210	TRET21030	30 ³ / ₁₆ X 16 ¹⁹ / ₆₄	26 ¹⁵ / ₁₆ X 13	30 ³ / ₁₆ X 18 ²⁷ / ₆₄	26 ¹⁵ / ₁₆ X 13
	TRET21034	30 ³ / ₁₆ X 18 ¹⁹ / ₆₄	26 ¹⁵ / ₁₆ X 15	30 ³ / ₁₆ X 20 ²⁷ / ₆₄	26 ¹⁵ / ₁₆ X 15
	TRET21038	30 ³ / ₁₆ X 20 ¹⁹ / ₆₄	26 ¹⁵ / ₁₆ X 17	30 ³ / ₁₆ X 22 ²⁷ / ₆₄	26 ¹⁵ / ₁₆ X 17
	TRET21040	30 ³ / ₁₆ X 22 ¹⁹ / ₆₄	26 ¹⁵ / ₁₆ X 19	30 ³ / ₁₆ X 24 ²⁷ / ₆₄	26 ¹⁵ / ₁₆ X 19
	TRET21046	30 ³ / ₁₆ X 25 ¹⁹ / ₆₄	26 ¹⁵ / ₁₆ X 22	30 ³ / ₁₆ X 27 ²⁷ / ₆₄	26 ¹⁵ / ₁₆ X 22
	TRET21048	30 ³ / ₁₆ X 26 ¹⁹ / ₆₄	26 ¹⁵ / ₁₆ X 23	30 ³ / ₁₆ X 28 ²⁷ / ₆₄	26 ¹⁵ / ₁₆ X 23
	TRET21049	30 ³ / ₁₆ X 26 ⁵¹ / ₆₄	26 ¹⁵ / ₁₆ X 23 ¹ / ₂	30 ³ / ₁₆ X 28 ⁵⁹ / ₆₄	26 ¹⁵ / ₁₆ X 23 ¹ / ₂
	TRET21050	30 ³ / ₁₆ X 28 ¹⁹ / ₆₄	26 ¹⁵ / ₁₆ X 25	30 ³ / ₁₆ X 30 ²⁷ / ₆₄	26 ¹⁵ / ₁₆ X 25
	TRET21051	30 ³ / ₁₆ X 28 ⁵¹ / ₆₄	26 ¹⁵ / ₁₆ X 25 ¹ / ₂	30 ³ / ₁₆ X 30 ⁵⁹ / ₆₄	26 ¹⁵ / ₁₆ X 25 ¹ / ₂
	TRET21056	30 ³ / ₁₆ X 31 ¹⁹ / ₆₄	26 ¹⁵ / ₁₆ X 28	30 ³ / ₁₆ X 33 ²⁷ / ₆₄	26 ¹⁵ / ₁₆ X 28
	TRET21060	30 ³ / ₁₆ X 34 ¹⁹ / ₆₄	26 ¹⁵ / ₁₆ X 31	30 ³ / ₁₆ X 36 ²⁷ / ₆₄	26 ¹⁵ / ₁₆ X 31
	TRET21066	30 ³ / ₁₆ X 37 ¹⁹ / ₆₄	26 ¹⁵ / ₁₆ X 34	30 ³ / ₁₆ X 39 ²⁷ / ₆₄	26 ¹⁵ / ₁₆ X 34
	TRET21070	30 ³ / ₁₆ X 40 ¹⁹ / ₆₄	26 ¹⁵ / ₁₆ X 37	30 ³ / ₁₆ X 42 ²⁷ / ₆₄	26 ¹⁵ / ₁₆ X 37
	TRET21076	30 ³ / ₁₆ X 43 ¹⁹ / ₆₄	26 ¹⁵ / ₁₆ X 40	30 ³ / ₁₆ X 45 ²⁷ / ₆₄	26 ¹⁵ / ₁₆ X 40

E-Series DH Venting Insert Windows (8/2003 to 12/2007)

Custom Windows

Unit Sizes

Sash Size Table (DH) - Upper Sash			Sash Size Table (DH) - Lower Sash		
	Unit No.	Overall Upper Sash w x h	Unobstructed Glass w x h	Overall Lower Sash w x h	Unobstructed Glass w x h
30	TRET3030	32 ³ / ₁₆ x 16 ¹⁹ / ₆₄	28 ¹⁵ / ₁₆ x 13	32 ³ / ₁₆ x 18 ²⁷ / ₆₄	28 ¹⁵ / ₁₆ x 13
	TRET3034	32 ³ / ₁₆ x 18 ¹⁹ / ₆₄	28 ¹⁵ / ₁₆ x 15	32 ³ / ₁₆ x 20 ²⁷ / ₆₄	28 ¹⁵ / ₁₆ x 15
	TRET3038	32 ³ / ₁₆ x 20 ¹⁹ / ₆₄	28 ¹⁵ / ₁₆ x 17	32 ³ / ₁₆ x 22 ²⁷ / ₆₄	28 ¹⁵ / ₁₆ x 17
	TRET3040	32 ³ / ₁₆ x 22 ¹⁹ / ₆₄	28 ¹⁵ / ₁₆ x 19	32 ³ / ₁₆ x 24 ²⁷ / ₆₄	28 ¹⁵ / ₁₆ x 19
	TRET3046	32 ³ / ₁₆ x 25 ¹⁹ / ₆₄	28 ¹⁵ / ₁₆ x 22	32 ³ / ₁₆ x 27 ²⁷ / ₆₄	28 ¹⁵ / ₁₆ x 22
	TRET3048	32 ³ / ₁₆ x 26 ¹⁹ / ₆₄	28 ¹⁵ / ₁₆ x 23	32 ³ / ₁₆ x 28 ²⁷ / ₆₄	28 ¹⁵ / ₁₆ x 23
	TRET3049	32 ³ / ₁₆ x 26 ⁵¹ / ₆₄	28 ¹⁵ / ₁₆ x 23 ¹ / ₂	32 ³ / ₁₆ x 28 ⁵⁹ / ₆₄	28 ¹⁵ / ₁₆ x 23 ¹ / ₂
	TRET3050	32 ³ / ₁₆ x 28 ¹⁹ / ₆₄	28 ¹⁵ / ₁₆ x 25	32 ³ / ₁₆ x 30 ²⁷ / ₆₄	28 ¹⁵ / ₁₆ x 25
	TRET3051	32 ³ / ₁₆ x 28 ⁵¹ / ₆₄	28 ¹⁵ / ₁₆ x 25 ¹ / ₂	32 ³ / ₁₆ x 30 ⁵⁹ / ₆₄	28 ¹⁵ / ₁₆ x 25 ¹ / ₂
	TRET3056	32 ³ / ₁₆ x 31 ¹⁹ / ₆₄	28 ¹⁵ / ₁₆ x 28	32 ³ / ₁₆ x 33 ²⁷ / ₆₄	28 ¹⁵ / ₁₆ x 28
	TRET3060	32 ³ / ₁₆ x 34 ¹⁹ / ₆₄	28 ¹⁵ / ₁₆ x 31	32 ³ / ₁₆ x 36 ²⁷ / ₆₄	28 ¹⁵ / ₁₆ x 31
	TRET3066	32 ³ / ₁₆ x 37 ¹⁹ / ₆₄	28 ¹⁵ / ₁₆ x 34	32 ³ / ₁₆ x 39 ²⁷ / ₆₄	28 ¹⁵ / ₁₆ x 34
	TRET3070	32 ³ / ₁₆ x 40 ¹⁹ / ₆₄	28 ¹⁵ / ₁₆ x 37	32 ³ / ₁₆ x 42 ²⁷ / ₆₄	28 ¹⁵ / ₁₆ x 37
	TRET3076	32 ³ / ₁₆ x 43 ¹⁹ / ₆₄	28 ¹⁵ / ₁₆ x 40	32 ³ / ₁₆ x 45 ²⁷ / ₆₄	28 ¹⁵ / ₁₆ x 40
32	TRET3230	34 ³ / ₁₆ x 16 ¹⁹ / ₆₄	30 ¹⁵ / ₁₆ x 13	34 ³ / ₁₆ x 18 ²⁷ / ₆₄	30 ¹⁵ / ₁₆ x 13
	TRET3234	34 ³ / ₁₆ x 18 ¹⁹ / ₆₄	30 ¹⁵ / ₁₆ x 15	34 ³ / ₁₆ x 20 ²⁷ / ₆₄	30 ¹⁵ / ₁₆ x 15
	TRET3238	34 ³ / ₁₆ x 20 ¹⁹ / ₆₄	30 ¹⁵ / ₁₆ x 17	34 ³ / ₁₆ x 22 ²⁷ / ₆₄	30 ¹⁵ / ₁₆ x 17
	TRET3240	34 ³ / ₁₆ x 22 ¹⁹ / ₆₄	30 ¹⁵ / ₁₆ x 19	34 ³ / ₁₆ x 24 ²⁷ / ₆₄	30 ¹⁵ / ₁₆ x 19
	TRET3246	34 ³ / ₁₆ x 25 ¹⁹ / ₆₄	30 ¹⁵ / ₁₆ x 22	34 ³ / ₁₆ x 27 ²⁷ / ₆₄	30 ¹⁵ / ₁₆ x 22
	TRET3248	34 ³ / ₁₆ x 26 ¹⁹ / ₆₄	30 ¹⁵ / ₁₆ x 23	34 ³ / ₁₆ x 28 ²⁷ / ₆₄	30 ¹⁵ / ₁₆ x 23
	TRET3249	34 ³ / ₁₆ x 26 ⁵¹ / ₆₄	30 ¹⁵ / ₁₆ x 23 ¹ / ₂	34 ³ / ₁₆ x 28 ⁵⁹ / ₆₄	30 ¹⁵ / ₁₆ x 23 ¹ / ₂
	TRET3250	34 ³ / ₁₆ x 28 ¹⁹ / ₆₄	30 ¹⁵ / ₁₆ x 25	34 ³ / ₁₆ x 30 ²⁷ / ₆₄	30 ¹⁵ / ₁₆ x 25
	TRET3251	34 ³ / ₁₆ x 28 ⁵¹ / ₆₄	30 ¹⁵ / ₁₆ x 25 ¹ / ₂	34 ³ / ₁₆ x 30 ⁵⁹ / ₆₄	30 ¹⁵ / ₁₆ x 25 ¹ / ₂
	TRET3256	34 ³ / ₁₆ x 31 ¹⁹ / ₆₄	30 ¹⁵ / ₁₆ x 28	34 ³ / ₁₆ x 33 ²⁷ / ₆₄	30 ¹⁵ / ₁₆ x 28
	TRET3260	34 ³ / ₁₆ x 34 ¹⁹ / ₆₄	30 ¹⁵ / ₁₆ x 31	34 ³ / ₁₆ x 36 ²⁷ / ₆₄	30 ¹⁵ / ₁₆ x 31
	TRET3266	34 ³ / ₁₆ x 37 ¹⁹ / ₆₄	30 ¹⁵ / ₁₆ x 34	34 ³ / ₁₆ x 39 ²⁷ / ₆₄	30 ¹⁵ / ₁₆ x 34
	TRET3270	34 ³ / ₁₆ x 40 ¹⁹ / ₆₄	30 ¹⁵ / ₁₆ x 37	34 ³ / ₁₆ x 42 ²⁷ / ₆₄	30 ¹⁵ / ₁₆ x 37
	TRET3276	34 ³ / ₁₆ x 43 ¹⁹ / ₆₄	30 ¹⁵ / ₁₆ x 40	34 ³ / ₁₆ x 45 ²⁷ / ₆₄	30 ¹⁵ / ₁₆ x 40

Unit Sizes

Sash Size Table (DH) - Upper Sash			Sash Size Table (DH) - Lower Sash		
Unit No.	Overall Upper Sash w x h	Unobstructed Glass w x h	Overall Lower Sash w x h	Unobstructed Glass w x h	
34	TRET3430	36 ³ / ₁₆ X 16 ¹⁹ / ₆₄	32 ¹⁵ / ₁₆ X 13	36 ³ / ₁₆ X 18 ²⁷ / ₆₄	32 ¹⁵ / ₁₆ X 13
	TRET3434	36 ³ / ₁₆ X 18 ¹⁹ / ₆₄	32 ¹⁵ / ₁₆ X 15	36 ³ / ₁₆ X 20 ²⁷ / ₆₄	32 ¹⁵ / ₁₆ X 15
	TRET3438	36 ³ / ₁₆ X 20 ¹⁹ / ₆₄	32 ¹⁵ / ₁₆ X 17	36 ³ / ₁₆ X 22 ²⁷ / ₆₄	32 ¹⁵ / ₁₆ X 17
	TRET3440	36 ³ / ₁₆ X 22 ¹⁹ / ₆₄	32 ¹⁵ / ₁₆ X 19	36 ³ / ₁₆ X 24 ²⁷ / ₆₄	32 ¹⁵ / ₁₆ X 19
	TRET3446	36 ³ / ₁₆ X 25 ¹⁹ / ₆₄	32 ¹⁵ / ₁₆ X 22	36 ³ / ₁₆ X 27 ²⁷ / ₆₄	32 ¹⁵ / ₁₆ X 22
	TRET3448	36 ³ / ₁₆ X 26 ¹⁹ / ₆₄	32 ¹⁵ / ₁₆ X 23	36 ³ / ₁₆ X 28 ²⁷ / ₆₄	32 ¹⁵ / ₁₆ X 23
	TRET3449	36 ³ / ₁₆ X 26 ⁵¹ / ₆₄	32 ¹⁵ / ₁₆ X 23 ¹ / ₂	36 ³ / ₁₆ X 28 ⁵⁹ / ₆₄	32 ¹⁵ / ₁₆ X 23 ¹ / ₂
	TRET3450	36 ³ / ₁₆ X 28 ¹⁹ / ₆₄	32 ¹⁵ / ₁₆ X 25	36 ³ / ₁₆ X 30 ²⁷ / ₆₄	32 ¹⁵ / ₁₆ X 25
	TRET3451	36 ³ / ₁₆ X 28 ⁵¹ / ₆₄	32 ¹⁵ / ₁₆ X 25 ¹ / ₂	36 ³ / ₁₆ X 30 ⁵⁹ / ₆₄	32 ¹⁵ / ₁₆ X 25 ¹ / ₂
	TRET3456	36 ³ / ₁₆ X 31 ¹⁹ / ₆₄	32 ¹⁵ / ₁₆ X 28	36 ³ / ₁₆ X 33 ²⁷ / ₆₄	32 ¹⁵ / ₁₆ X 28
	TRET3460	36 ³ / ₁₆ X 34 ¹⁹ / ₆₄	32 ¹⁵ / ₁₆ X 31	36 ³ / ₁₆ X 36 ²⁷ / ₆₄	32 ¹⁵ / ₁₆ X 31
	TRET3466	36 ³ / ₁₆ X 37 ¹⁹ / ₆₄	32 ¹⁵ / ₁₆ X 34	36 ³ / ₁₆ X 39 ²⁷ / ₆₄	32 ¹⁵ / ₁₆ X 34
	TRET3470	36 ³ / ₁₆ X 40 ¹⁹ / ₆₄	32 ¹⁵ / ₁₆ X 37	36 ³ / ₁₆ X 42 ²⁷ / ₆₄	32 ¹⁵ / ₁₆ X 37
	TRET3476	36 ³ / ₁₆ X 43 ¹⁹ / ₆₄	32 ¹⁵ / ₁₆ X 40	36 ³ / ₁₆ X 45 ²⁷ / ₆₄	32 ¹⁵ / ₁₆ X 40
38	TRET3830	40 ³ / ₁₆ X 16 ¹⁹ / ₆₄	36 ¹⁵ / ₁₆ X 13	40 ³ / ₁₆ X 18 ²⁷ / ₆₄	36 ¹⁵ / ₁₆ X 13
	TRET3834	40 ³ / ₁₆ X 18 ¹⁹ / ₆₄	36 ¹⁵ / ₁₆ X 15	40 ³ / ₁₆ X 20 ²⁷ / ₆₄	36 ¹⁵ / ₁₆ X 15
	TRET3838	40 ³ / ₁₆ X 20 ¹⁹ / ₆₄	36 ¹⁵ / ₁₆ X 17	40 ³ / ₁₆ X 22 ²⁷ / ₆₄	36 ¹⁵ / ₁₆ X 17
	TRET3840	40 ³ / ₁₆ X 22 ¹⁹ / ₆₄	36 ¹⁵ / ₁₆ X 19	40 ³ / ₁₆ X 24 ²⁷ / ₆₄	36 ¹⁵ / ₁₆ X 19
	TRET3846	40 ³ / ₁₆ X 25 ¹⁹ / ₆₄	36 ¹⁵ / ₁₆ X 22	40 ³ / ₁₆ X 27 ²⁷ / ₆₄	36 ¹⁵ / ₁₆ X 22
	TRET3848	40 ³ / ₁₆ X 26 ¹⁹ / ₆₄	36 ¹⁵ / ₁₆ X 23	40 ³ / ₁₆ X 28 ²⁷ / ₆₄	36 ¹⁵ / ₁₆ X 23
	TRET3849	40 ³ / ₁₆ X 26 ⁵¹ / ₆₄	36 ¹⁵ / ₁₆ X 23 ¹ / ₂	40 ³ / ₁₆ X 28 ⁵⁹ / ₆₄	36 ¹⁵ / ₁₆ X 23 ¹ / ₂
	TRET3850	40 ³ / ₁₆ X 28 ¹⁹ / ₆₄	36 ¹⁵ / ₁₆ X 25	40 ³ / ₁₆ X 30 ²⁷ / ₆₄	36 ¹⁵ / ₁₆ X 25
	TRET3851	40 ³ / ₁₆ X 28 ⁵¹ / ₆₄	36 ¹⁵ / ₁₆ X 25 ¹ / ₂	40 ³ / ₁₆ X 30 ⁵⁹ / ₆₄	36 ¹⁵ / ₁₆ X 25 ¹ / ₂
	TRET3856	40 ³ / ₁₆ X 31 ¹⁹ / ₆₄	36 ¹⁵ / ₁₆ X 28	40 ³ / ₁₆ X 33 ²⁷ / ₆₄	36 ¹⁵ / ₁₆ X 28
	TRET3860	40 ³ / ₁₆ X 34 ¹⁹ / ₆₄	36 ¹⁵ / ₁₆ X 31	40 ³ / ₁₆ X 36 ²⁷ / ₆₄	36 ¹⁵ / ₁₆ X 31
	TRET3866	40 ³ / ₁₆ X 37 ¹⁹ / ₆₄	36 ¹⁵ / ₁₆ X 34	40 ³ / ₁₆ X 39 ²⁷ / ₆₄	36 ¹⁵ / ₁₆ X 34
	TRET3870	40 ³ / ₁₆ X 40 ¹⁹ / ₆₄	36 ¹⁵ / ₁₆ X 37	40 ³ / ₁₆ X 42 ²⁷ / ₆₄	36 ¹⁵ / ₁₆ X 37
	TRET3876	40 ³ / ₁₆ X 43 ¹⁹ / ₆₄	36 ¹⁵ / ₁₆ X 40	40 ³ / ₁₆ X 45 ²⁷ / ₆₄	36 ¹⁵ / ₁₆ X 40

E-Series DH Venting Insert Windows (8/2003 to 12/2007)

Custom Windows

Unit Sizes

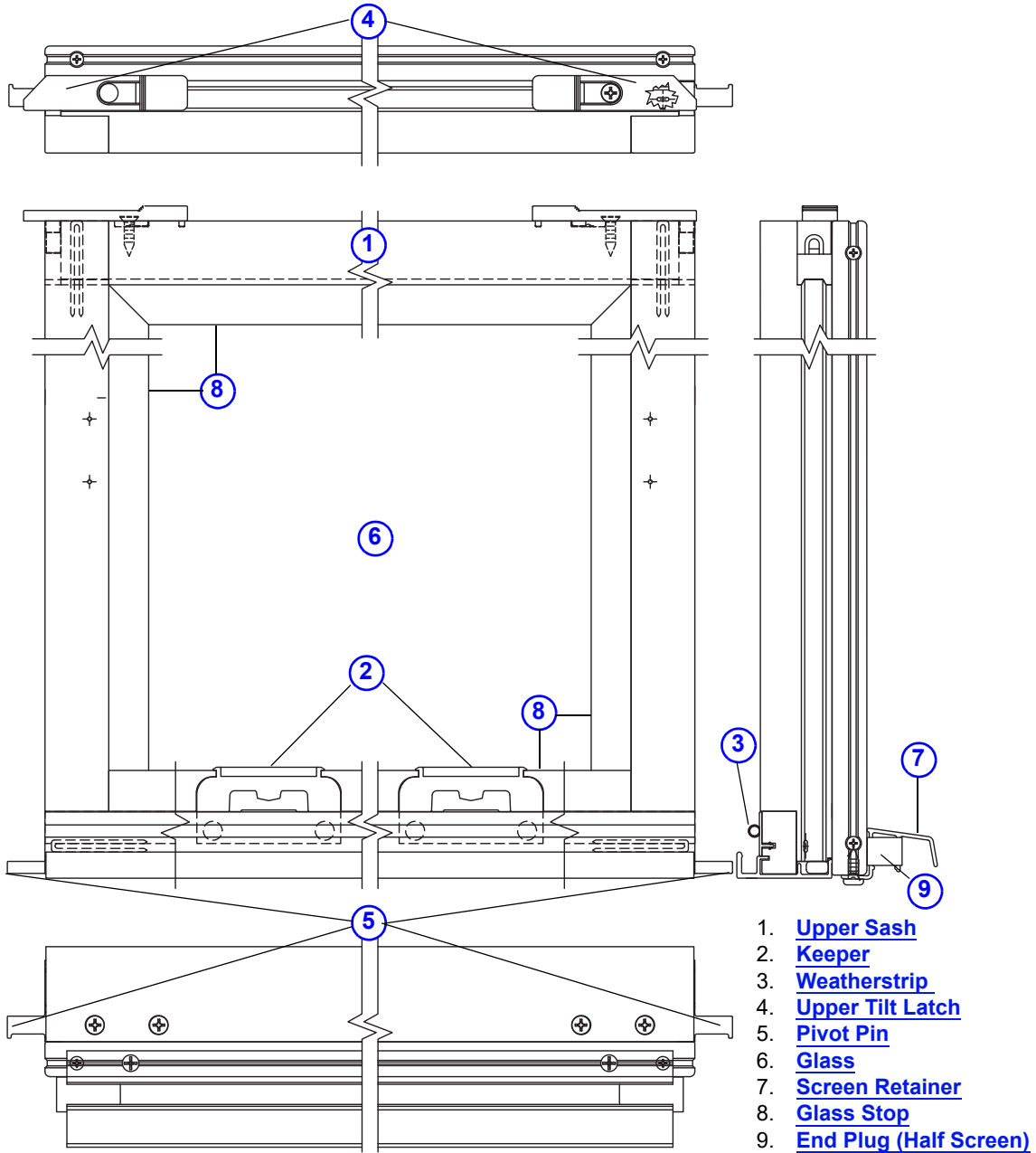
Sash Size Table (DH) - Upper Sash			Sash Size Table (DH) - Lower Sash		
	Unit No.	Overall Upper Sash w x h	Unobstructed Glass w x h	Overall Lower Sash w x h	Unobstructed Glass w x h
40	TRET4030	44 ³ / ₁₆ x 16 ¹⁹ / ₆₄	40 ¹⁵ / ₁₆ x 13	44 ³ / ₁₆ x 18 ²⁷ / ₆₄	40 ¹⁵ / ₁₆ x 13
	TRET4034	44 ³ / ₁₆ x 18 ¹⁹ / ₆₄	40 ¹⁵ / ₁₆ x 15	44 ³ / ₁₆ x 20 ²⁷ / ₆₄	40 ¹⁵ / ₁₆ x 15
	TRET4038	44 ³ / ₁₆ x 20 ¹⁹ / ₆₄	40 ¹⁵ / ₁₆ x 17	44 ³ / ₁₆ x 22 ²⁷ / ₆₄	40 ¹⁵ / ₁₆ x 17
	TRET4040	44 ³ / ₁₆ x 22 ¹⁹ / ₆₄	40 ¹⁵ / ₁₆ x 19	44 ³ / ₁₆ x 24 ²⁷ / ₆₄	40 ¹⁵ / ₁₆ x 19
	TRET4046	44 ³ / ₁₆ x 25 ¹⁹ / ₆₄	40 ¹⁵ / ₁₆ x 22	44 ³ / ₁₆ x 27 ²⁷ / ₆₄	40 ¹⁵ / ₁₆ x 22
	TRET4048	44 ³ / ₁₆ x 26 ¹⁹ / ₆₄	40 ¹⁵ / ₁₆ x 23	44 ³ / ₁₆ x 28 ²⁷ / ₆₄	40 ¹⁵ / ₁₆ x 23
	TRET4049	44 ³ / ₁₆ x 26 ⁵¹ / ₆₄	40 ¹⁵ / ₁₆ x 23 ¹ / ₂	44 ³ / ₁₆ x 28 ⁵⁹ / ₆₄	40 ¹⁵ / ₁₆ x 23 ¹ / ₂
	TRET4050	44 ³ / ₁₆ x 28 ¹⁹ / ₆₄	40 ¹⁵ / ₁₆ x 25	44 ³ / ₁₆ x 30 ²⁷ / ₆₄	40 ¹⁵ / ₁₆ x 25
	TRET4051	44 ³ / ₁₆ x 28 ⁵¹ / ₆₄	40 ¹⁵ / ₁₆ x 25 ¹ / ₂	44 ³ / ₁₆ x 30 ⁵⁹ / ₆₄	40 ¹⁵ / ₁₆ x 25 ¹ / ₂
	TRET4056	44 ³ / ₁₆ x 31 ¹⁹ / ₆₄	40 ¹⁵ / ₁₆ x 28	44 ³ / ₁₆ x 33 ²⁷ / ₆₄	40 ¹⁵ / ₁₆ x 28
	TRET4060	44 ³ / ₁₆ x 34 ¹⁹ / ₆₄	40 ¹⁵ / ₁₆ x 31	44 ³ / ₁₆ x 36 ²⁷ / ₆₄	40 ¹⁵ / ₁₆ x 31
	TRET4066	44 ³ / ₁₆ x 37 ¹⁹ / ₆₄	40 ¹⁵ / ₁₆ x 34	44 ³ / ₁₆ x 39 ²⁷ / ₆₄	40 ¹⁵ / ₁₆ x 34
	TRET4070	44 ³ / ₁₆ x 40 ¹⁹ / ₆₄	40 ¹⁵ / ₁₆ x 37	44 ³ / ₁₆ x 42 ²⁷ / ₆₄	40 ¹⁵ / ₁₆ x 37
	TRET4076	44 ³ / ₁₆ x 43 ¹⁹ / ₆₄	40 ¹⁵ / ₁₆ x 40	44 ³ / ₁₆ x 45 ²⁷ / ₆₄	40 ¹⁵ / ₁₆ x 40

Sash

Sash Graphic - Upper

Note:

See current sash [Product Details](#).



E-Series Double-Hung Venting Insert Window Upper Sash Parts

Sash Options - Upper

Sash - Custom Window

Note:

Replacement sash for windows are made to order and can be configured through iQ+. Current glazings replace previous vintage glazings. Product ID label is located on the head jamb.



TEMPERED UA SGCC XXXX
 16 CFR 1201 II
 ANSI Z97.1-2009
 CIG-XX Xmm MM/DD/YR
 CAN/CGSB 12.1-M90

Exterior color options:

Interior species/finish/color options:

Glass options (See Logo/Etching Examples):

Low-E4®	Low-E4® HeatLock	Low-E4® Triple-Pane
Low-E4® SmartSun™	Low-E4® Smart-Sun HeatLock	Low-E4® Smart-Sun Triple-Pane
Low-E4® Passive Sun	Low-E4® Sun Heat-Lock	Low-E4® Enhanced Triple-Pane
Low-E4® Sun 3	Low-E4® HeatLock Tempered	Low-E4® Smart-Sun Enhanced Triple-Pane
Low-E4® Tempered	Dual Pane Clear	Low-E4® Enhanced Triple-Pane Heat-Lock
Low-E4® SmartSun Tempered	Cascade	Low-E4® Smart-Sun Enhanced Triple-Pane HeatLock
Low-E4® Passive Sun Tempered	Fern	
Low-E4® Sun Tempered	Reed	

To order, state:

Product ID (from product label, see [Service Guide 9051877](#))

OR

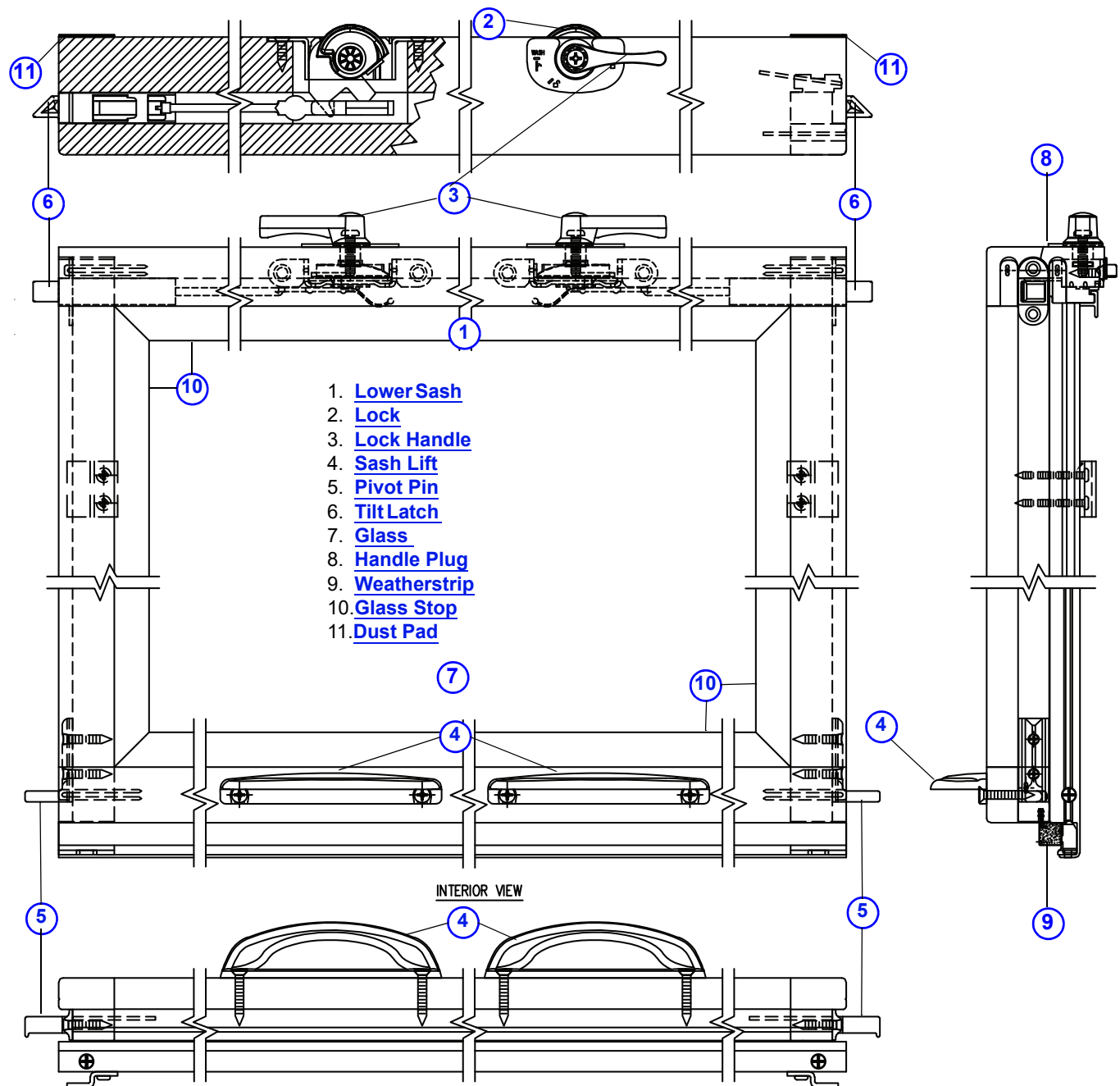
1. Unit or frame size (TRET XXXX or frame W x H dimensions)
2. Unit sash ratio (Even, Cottage, Rev Cottage, SSR)
3. Description of part (Upper Sash)
4. Exterior color of sash
5. Hardware finish of keeper
6. Interior wood species/finish/color of sash
7. Glass stop profile (Ovolo, Coped)
8. Glazing/Grille type

Sash

Sash Graphic - Lower

Note:

See current sash [Product Details](#).



E-Series Double-Hung Venting Insert Window Lower Sash Parts

Sash Options - Lower

Sash - Custom Window

Note:

Replacement sash for windows are made to order and can be configured through iQ+. Current glazings replace previous vintage glazings. Product ID label is located on the head jamb.



TEMPERED UA
16 CFR 1201 II
ANSI Z97.1 2009
SGCC XXXX
CIG-XX Xmm MM/DD/YR
CAN/CGSB 12.1-M90

Exterior color options:

Interior species/finish/color options:

Glass options (See Logo/Etching Examples):

Low-E4®	Low-E4® HeatLock	Low-E4® Triple-Pane
Low-E4® SmartSun™	Low-E4® Smart-Sun HeatLock	Low-E4® Smart-Sun Triple-Pane
Low-E4® Passive Sun	Low-E4® Sun Heat-Lock	Low-E4® Enhanced Triple-Pane
Low-E4® Sun 3	Low-E4® HeatLock Tempered	Low-E4® Smart-Sun Enhanced Triple-Pane
Low-E4® Tempered	Dual Pane Clear	Low-E4® Enhanced Triple-Pane Heat-Lock
Low-E4® SmartSun Tempered	Cascade	Low-E4® Smart-Sun Enhanced Triple-Pane HeatLock
Low-E4® Passive Sun Tempered	Fern	
Low-E4® Sun Tempered	Reed	

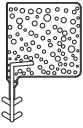
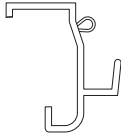
To order, state:

Product ID (from product label, see [Service Guide 9051877](#))

OR

1. Unit or frame size (TRET XXXX or frame W x H dimensions)
2. Unit sash ratio (Even, Cottage, Rev Cottage, SSR)
3. Description of part (Lower Sash)
4. Exterior color of sash
5. Hardware finish of lock
6. Interior wood species/finish/color of sash
7. Glass stop profile (Ovolo, Coped)
8. Glazing/Grille type

Sash

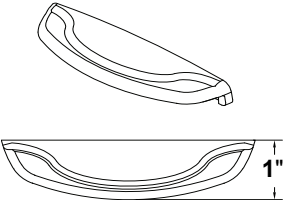
Weatherstrip			
Weatherstrip			
Note: Used on lower sash. See Service Guide 9069157 .			
		Color	Length
		Beige	144"
		Order No.	0614918
Interlock Weatherstrip / Check Rail			
Note: Replaces previous vintages.			
		Color	Order No.
		Beige	0009511

Sash

Sash Hardware / Lifts

Sash Lifts / Traditional Ref. No. 4 [page 16](#)

Note:
See [Accessory Guide 9069195](#).

		Color	Order No.
		White	0007060
		Bronze	0007061
		Brass	0007062
		Black	0007063
		Gold	0007064
		Pewter	0007065
		Oil-Rubbed Bronze	0007066
		Satin (Brushed) Chrome	0007067
		Bright (Polished) Chrome	0007068
		Antique Brass	0007069

Screw / Sash Lift

Note:
See [Accessory Guide 9069195](#).

	Description	Color	Order No.
	#6 x 1" PFHSMS Type A	White	0028444
		Bronze	0028443
		Black	0028442
		Gold	0028441

Sash

Sash Hardware / Lock & Keeper

Lock Ref. No. 2 [page 16](#)

Note:
Standard lock shown. See [Service Guide 9069142](#).

		Type	LH	RH
		Standard	0011085	0011086
		No Tilt	0011083	0011084

Lock Handle Ref. No. 3 [page 16](#)

Note:
Standard handle shown. Security handle used with Verilock®. See [Service Guide 9069143](#).

		Color	Standard
		White	0009570
		Bronze	0009571
		Brass	0009572
		Black	0009573
		Gold	0009574
		Pewter	By description
		Oil-Rubbed Bronze	By description
		Satin Chrome	By description
		Bright Chrome	By description
	Antique Brass	By description	

Screw / Lock Handle

	Description	Type	Order No.
	#8 x 7/8" PPHMS Zinc	Standard	0011087
	#8 x 3/8" PPHMS Zinc	Standard Non-Tilt	0011088

Washer / Lock Handle

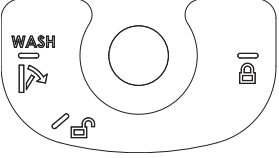
Note:
See [Service Guide 9069143](#).

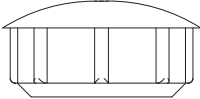
	Order No.
	9105335

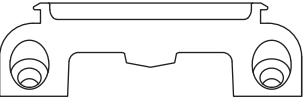
E-Series DH Venting Insert Windows (8/2003 to 12/2007)

Custom Windows

Sash

Lock Bezel Plate					
Note: Left hand shown. See Service Guide 9069143 .					
		Color	LH	RH	Fixed/Stat
		White	0009550	0009551	0017021
		Bronze	0009552	0009553	0017022
		Brass	0009554	0009555	
		Black	0009556	0009557	0017023
		Gold	0009558	0009559	0017024
		Pewter	9105336	9105337	
		Oil-Rubbed Bronze	9105338	9105339	
		Satin Chrome	9105340	9105341	
		Bright Chrome	9105342	9105343	
	Antique Brass	9105344	9105345		

Lock Handle Plug Ref. No. 8 page 16			
Note: Left hand shown. See Service Guide 9069143 .			
		Color	Order No.
		White	0009580
		Bronze	0009581
		Brass	0009582
		Black	0009583
		Gold	0009584
		Pewter	9105346
		Oil-Rubbed Bronze	9105347
		Satin Chrome	9105348
		Bright Chrome	9105349
	Antique Brass	9105350	
	Beige	0007029	

Lock Keeper Ref. No. 2 page 14		
Note: Security keeper shown. See Service Guide 9069154 .		
	Color	Standard
	White	0009540
	Bronze	0009541
	Brass	0009542
	Black	0009543
	Gold	0009544
	Pewter	9105278
	Oil-Rubbed Bronze	9105279
	Satin Chrome	9105280
	Bright Chrome	9105281
Antique Brass	9105282	

Sash

Sash Hardware / Latch Kits

Tilt Latch Kit - Upper Sash Ref. No. 4 [page 14](#)

		LH	RH
		0006733	0006734

Screw - Tilt Latch

	Description	Order No.
	#7 x 5/8" PFHSMS Type AB SS 18-8	0015331

Tilt Latch - Lower Sash Ref. No. 6 [page 16](#)

		Unit width	Size	Order No.
		<= 20"	3 1/2	0009576
		>20" and <36"	5 1/2	0009577
		>= 36"	8	0009578

Sash Components / Miscellaneous

Pivot Pin Ref. No. 5 [page 14](#) and [page 16](#)

Note:

Each sash requires two pins. Standard pin shown. See [Service Guide 9069147](#) and [Service Guide 9069148](#).

		LH	RH
		0002380	0002381

Screw - Pivot Pin Ref. [page 14](#)

	Order No.
	0015746

End Plug - Half Screen Ref. No. 9 [page 14](#)

	Order No.
	0006645

Dust Pad Ref. No. 11 [page 16](#)

	Order No.
	0029251

Pad - Lower Sash

	Order No.
	0JE2005

Glass

Glass Ref. 4 [page 3](#) Ref.6 [page 14](#) Ref.7 [page 16](#)

Note:

Replacement glass is made to order and can be configured through iQ+. Current glazings replace previous vintage glazings. Product ID label is located on the head jamb. Glass ships with sealant and spacers. See [Accessory Guide 9176386](#).



TEMPERED
16 CFR 1201 II
ANSI Z97.1 2009
SGCC XXXX
CIG-XX Xmm MM/DD/YR
CAN/CGSB 12.1-M90

Exterior color options:

Interior species/finish/color options:

Glass options (See Logo/Etching Examples):

Low-E4®	Low-E4® HeatLock	Low-E4® SmartSun HeatLock
Low-E4® SmartSun™	Low-E4® Smart-Sun HeatLock	Low-E4® Triple-Pane
Low-E4® Passive Sun	Low-E4® Sun Heat-Lock	Low-E4® Smart-Sun Triple-Pane
Low-E4® Sun 3	Low-E4® HeatLock Tempered	Low-E4® Enhanced Triple-Pane
Low-E4® Tempered	Dual Pane Clear	Low-E4® Smart-Sun Enhanced Triple-Pane
Low-E4® SmartSun Tempered	Cascade	Low-E4® Enhanced Triple-Pane Heat-Lock
Low-E4® Passive Sun Tempered	Fern	Low-E4® Smart-Sun Enhanced Triple-Pane HeatLock
Low-E4® Sun Tempered	Reed	

To order, state:

Product ID (from product label, see [Service Guide 9051877](#))

OR

1. Unit or frame size (TRET XXXX or frame W x H dimensions)
2. Description of part (Glass)
3. Glazing/Grille type
4. Glass Stop Type (Ovolo, Coped)
5. Manufacturing Date

Glass

Glass Stops

Stops - Top / Bottom / Side

Note:

Stops (top, bottom and side) are made to order.

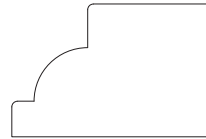
To order, state:

Product ID (from product label, see [Service Guide 9051877](#))

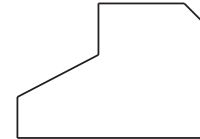
OR

1. Description of Part/Size (Stop)
2. Color/Species/Finish
3. Location/Handing (Top, Bottom, Side)
4. Type (Ovolo, Coped)
5. Manufacturing Date

Ovolo



Coped



Interior species/finish/color options

WOOD SPECIES



Pine Maple Oak



Cherry Mahogany* Alder



Mixed Grain Douglas Fir Vertical Grain Douglas Fir Hickory



Walnut White Oak

FACTORY-FINISHED INTERIORS



Clear Coat Wheat Autumn Oak



Golden Hickory Honey Cinnamon



Russet Mocha Espresso

PAINTED OPTIONS



White Birch Bark Primed (for paint)



Canvas Sandtone Terratone



Forest Green Dark Bronze Dove Gray



Prairie Grass Red Rock Cocoa Bean



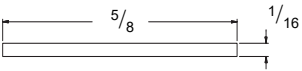
Black

Painted options available with pine and maple only.

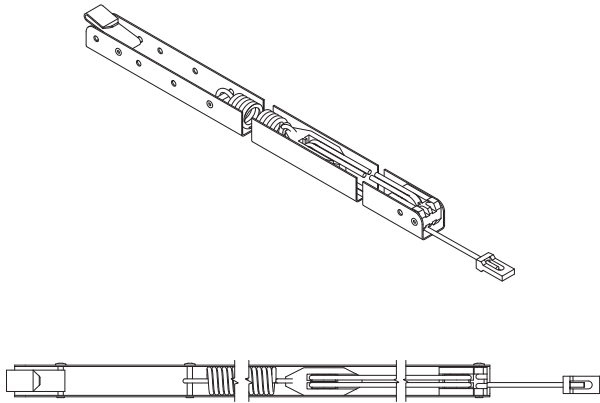
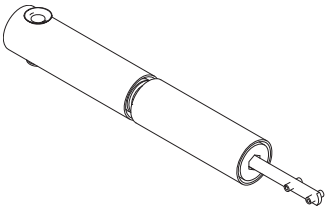
E-Series DH Venting Insert Windows (8/2003 to 12/2007)

Custom Windows

Glass

Glass Parts			
Glazing Tape			
Note: See Accessory Guide 9064542 .			
		Color	Order No.
		Gray	33751RL
Silicone Bed Glazing			
		Color	Order No.
		Dove Gray	9164412
Glass Spacer			
		Color	Order No.
		Gray	9152146

Sash Balancers

Sash Balancers			
Balancer			
<p>Assembly Includes: Block and Tackle: Balancer, balancer shoe Spiral: Balancer Assembly</p> <p><i>To order, state:</i></p> <p>Product ID (from product label, see Service Guide 9051877) AND</p> <ol style="list-style-type: none"> 1. Unit or frame size (TRET XXXX or frame W x H dimensions) 2. Description of part (Block and Tackle, Spiral Balance) 3. Glazing type 4. Manufacturing Date 5. Sash Type (Equal, Cottage, Reverse Cottage, Special Ratio) 			
			
Block and Tackle		Spiral	
	Order No.		Order No.
	By description		By description

E-Series DH Venting Insert Windows (8/2003 to 12/2007)

Custom Windows

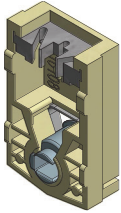
Sash Balancers

Balancer Parts

Shoe

Note:

Unique **color** used for upper and lower.



Type

Order No.

JB7003

JB7005

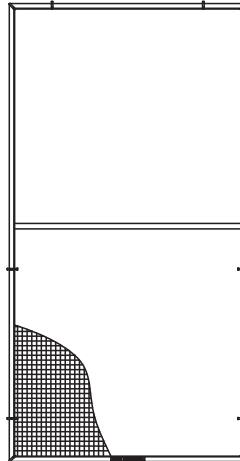
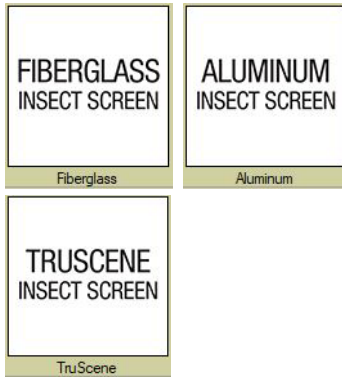
Insect Screens

Insect Screens

Insect Screen Graphic - Full

Note:

Replacement screen is made to order and can be configured through iQ+. See FS 00305 for additional detail.



Note:

Multiple screen options available.

Color options:

Mesh options: See iQ+
Fiberglass, aluminum and TruScene®.

To order, state:

1. **Description of Part (Full Insect Screen, color, finish (2604 or 2605), mesh type)**
2. **Style (Equal, Cottage, Reverse Cottage, SSR)**
3. **Quantity**
4. **Product ID (from product label, see [Service Guide 9051877](#))**

E-Series DH Venting Insert Windows (8/2003 to 12/2007)

Custom Windows

Insect Screens

Insect Screen Size Table - Full								
Screen Dimensions - Full Insect Screen								
	Unit No.	w x h		Unit No.	w x h		Unit No.	w x h
18	TRET1830	17 1/8 x 33 15/16	24	TRET2451	25 1/8 x 58 15/16	210	TRET21030	31 1/8 x 33 15/16
	TRET1834	17 1/8 x 37 15/16		TRET2456	25 1/8 x 63 15/16		TRET21034	31 1/8 x 37 15/16
	TRET1838	17 1/8 x 41 15/16		TRET2460	25 1/8 x 69 15/16		TRET21038	31 1/8 x 41 15/16
	TRET1840	17 1/8 x 45 15/16		TRET2466	25 1/8 x 75 15/16		TRET21040	31 1/8 x 45 15/16
	TRET1846	17 1/8 x 51 15/16		TRET2468	25 1/8 x 77 15/16		TRET21046	31 1/8 x 51 15/16
	TRET1849	17 1/8 x 54 15/16		TRET2474	25 1/8 x 85 15/16		TRET21049	31 1/8 x 54 15/16
	TRET1850	17 1/8 x 57 15/16		TRET2480	25 1/8 x 93 15/16		TRET21050	31 1/8 x 57 15/16
	TRET1851	17 1/8 x 58 15/16	TRET2630	27 1/8 x 33 15/16	TRET21051		31 1/8 x 58 15/16	
	TRET1856	17 1/8 x 63 15/16	TRET2634	27 1/8 x 37 15/16	TRET21056		31 1/8 x 63 15/16	
	TRET1860	17 1/8 x 69 15/16	TRET2638	27 1/8 x 41 15/16	TRET21060		31 1/8 x 69 15/16	
	TRET1866	17 1/8 x 75 15/16	TRET2640	27 1/8 x 45 15/16	TRET21066		31 1/8 x 75 15/16	
	TRET1868	17 1/8 x 77 15/16	TRET2646	27 1/8 x 51 15/16	TRET21068		31 1/8 x 77 15/16	
	TRET1874	17 1/8 x 85 15/16	TRET2649	27 1/8 x 54 15/16	TRET21074		31 1/8 x 85 15/16	
	TRET1880	17 1/8 x 93 15/16	TRET2650	27 1/8 x 57 15/16	TRET21080		31 1/8 x 93 15/16	
20	TRET2030	21 1/8 x 33 15/16	26	TRET2651	27 1/8 x 58 15/16	30	TRET3030	33 1/8 x 33 15/16
	TRET2034	21 1/8 x 37 15/16		TRET2656	27 1/8 x 63 15/16		TRET3034	33 1/8 x 37 15/16
	TRET2038	21 1/8 x 41 15/16		TRET2660	27 1/8 x 69 15/16		TRET3038	33 1/8 x 41 15/16
	TRET2040	21 1/8 x 45 15/16		TRET2666	27 1/8 x 75 15/16		TRET3040	33 1/8 x 45 15/16
	TRET2046	21 1/8 x 51 15/16		TRET2668	27 1/8 x 77 15/16		TRET3046	33 1/8 x 51 15/16
	TRET2049	21 1/8 x 54 15/16		TRET2674	27 1/8 x 85 15/16		TRET3049	33 1/8 x 54 15/16
	TRET2050	21 1/8 x 57 15/16		TRET2680	27 1/8 x 93 15/16		TRET3050	33 1/8 x 57 15/16
	TRET2051	21 1/8 x 58 15/16	TRET2830	29 1/8 x 33 15/16	TRET3051		33 1/8 x 58 15/16	
	TRET2056	21 1/8 x 63 15/16	TRET2834	29 1/8 x 37 15/16	TRET3056		33 1/8 x 63 15/16	
	TRET2060	21 1/8 x 69 15/16	TRET2838	29 1/8 x 41 15/16	TRET3060		33 1/8 x 69 15/16	
	TRET2066	21 1/8 x 75 15/16	TRET2840	29 1/8 x 45 15/16	TRET3066		33 1/8 x 75 15/16	
	TRET2068	21 1/8 x 77 15/16	TRET2846	29 1/8 x 51 15/16	TRET3068		33 1/8 x 77 15/16	
	TRET2074	21 1/8 x 85 15/16	TRET2849	29 1/8 x 54 15/16	TRET3074		33 1/8 x 85 15/16	
	TRET2080	21 1/8 x 93 15/16	TRET2850	29 1/8 x 57 15/16	TRET3080		33 1/8 x 93 15/16	
24	TRET2430	25 1/8 x 33 15/16	28	TRET2851	29 1/8 x 58 15/16	32	TRET3230	35 1/8 x 33 15/16
	TRET2434	25 1/8 x 37 15/16		TRET2856	29 1/8 x 63 15/16		TRET3234	35 1/8 x 37 15/16
	TRET2438	25 1/8 x 41 15/16		TRET2860	29 1/8 x 69 15/16		TRET3238	35 1/8 x 41 15/16
	TRET2440	25 1/8 x 45 15/16		TRET2866	29 1/8 x 75 15/16		TRET3240	35 1/8 x 45 15/16
	TRET2446	25 1/8 x 51 15/16		TRET2868	29 1/8 x 77 15/16		TRET3246	35 1/8 x 51 15/16
	TRET2449	25 1/8 x 54 15/16		TRET2874	29 1/8 x 85 15/16		TRET3249	35 1/8 x 54 15/16
	TRET2450	25 1/8 x 57 15/16		TRET2880	29 1/8 x 93 15/16		TRET3250	35 1/8 x 57 15/16

Insect Screens

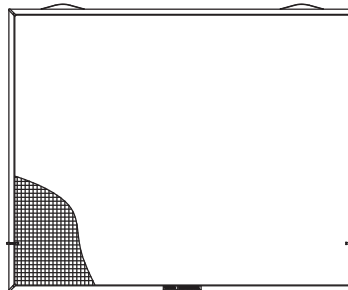
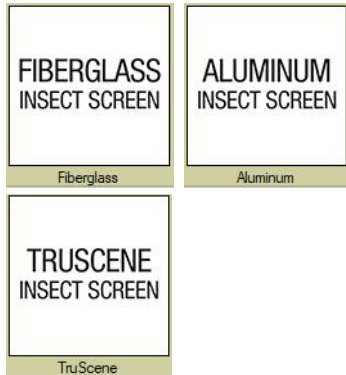
Screen Dimensions - Full Insect Screen								
Unit No.		w x h	Unit No.		w x h	Unit No.		w x h
32	TRET3251	35 1/8 x 58 15/16	38	TRET3830	41 1/8 x 33 15/16	40	TRET4051	45 1/8 x 58 15/16
	TRET3256	35 1/8 x 63 15/16		TRET3834	41 1/8 x 37 15/16		TRET4056	45 1/8 x 63 15/16
	TRET3260	35 1/8 x 69 15/16		TRET3838	41 1/8 x 41 15/16		TRET4060	45 1/8 x 69 15/16
	TRET3266	35 1/8 x 75 15/16		TRET3840	41 1/8 x 45 15/16		TRET4066	45 1/8 x 75 15/16
	TRET3268	35 1/8 x 77 15/16		TRET3846	41 1/8 x 51 15/16		TRET4068	45 1/8 x 77 15/16
	TRET3274	35 1/8 x 85 15/16		TRET3849	41 1/8 x 54 15/16		TRET4074	45 1/8 x 85 15/16
	TRET3280	35 1/8 x 93 15/16		TRET3850	41 1/8 x 57 15/16		TRET4080	45 1/8 x 93 15/16
34	TRET3430	37 1/8 x 33 15/16	TRET3851	41 1/8 x 58 15/16				
	TRET3434	37 1/8 x 37 15/16	TRET3856	41 1/8 x 63 15/16				
	TRET3438	37 1/8 x 41 15/16	TRET3860	41 1/8 x 69 15/16				
	TRET3440	37 1/8 x 45 15/16	TRET3866	41 1/8 x 75 15/16				
	TRET3446	37 1/8 x 51 15/16	TRET3868	41 1/8 x 77 15/16				
	TRET3449	37 1/8 x 54 15/16	TRET3874	41 1/8 x 85 15/16				
	TRET3450	37 1/8 x 57 15/16	TRET3880	41 1/8 x 93 15/16				
	TRET3451	37 1/8 x 58 15/16	TRET4030	45 1/8 x 33 15/16				
	TRET3456	37 1/8 x 63 15/16	TRET4034	45 1/8 x 37 15/16				
	TRET3460	37 1/8 x 69 15/16	TRET4038	45 1/8 x 41 15/16				
	TRET3466	37 1/8 x 75 15/16	TRET4040	45 1/8 x 45 15/16				
	TRET3468	37 1/8 x 77 15/16	TRET4046	45 1/8 x 51 15/16				
	TRET3474	37 1/8 x 85 15/16	TRET4049	45 1/8 x 54 15/16				
	TRET3480	37 1/8 x 93 15/16	TRET4050	45 1/8 x 57 15/16				

Insect Screens

Insect Screen Graphic - Half

Note:

Replacement screen is made to order and can be configured through iQ+. See FS 00302 for additional detail.



Note:

Multiple screen options available.

Color options:

Mesh options: See iQ+
Fiberglass, aluminum and TruScene®.

To order, state:

1. **Description of Part (Half Insect Screen, color, finish (2604 or 2605), mesh type)**
2. **Style (Equal, Cottage, Reverse Cottage, SSR)**
3. **Quantity**
4. **Product ID (from product label, see [Service Guide 9051877](#))**

Insect Screens

Insect Screen Size Table - Half								
Screen Dimensions - Half Insect Screen								
Unit No.		w x h	Unit No.		w x h			
18	TRET1830	17 1/8 x 17 7/8	24	TRET2451	25 1/8 x 30 3/8	210	TRET21030	31 1/8 x 17 7/8
	TRET1834	17 1/8 x 19 7/8		TRET2456	25 1/8 x 32 7/8		TRET21034	31 1/8 x 19 7/8
	TRET1838	17 1/8 x 21 7/8		TRET2460	25 1/8 x 35 7/8		TRET21038	31 1/8 x 21 7/8
	TRET1840	17 1/8 x 23 7/8		TRET2466	25 1/8 x 38 7/8		TRET21040	31 1/8 x 23 7/8
	TRET1846	17 1/8 x 26 7/8		TRET2468	25 1/8 x 39 7/8		TRET21046	31 1/8 x 26 7/8
	TRET1849	17 1/8 x 28 3/8		TRET2474	25 1/8 x 43 7/8		TRET21049	31 1/8 x 28 3/8
	TRET1850	17 1/8 x 29 7/8		TRET2480	25 1/8 x 47 7/8		TRET21050	31 1/8 x 29 7/8
	TRET1851	17 1/8 x 30 3/8	TRET2630	27 1/8 x 17 7/8	TRET21051		31 1/8 x 30 3/8	
	TRET1856	17 1/8 x 32 7/8	TRET2634	27 1/8 x 19 7/8	TRET21056		31 1/8 x 32 7/8	
	TRET1860	17 1/8 x 35 7/8	TRET2638	27 1/8 x 21 7/8	TRET21060		31 1/8 x 35 7/8	
	TRET1866	17 1/8 x 38 7/8	TRET2640	27 1/8 x 23 7/8	TRET21066		31 1/8 x 38 7/8	
	TRET1868	17 1/8 x 39 7/8	TRET2646	27 1/8 x 26 7/8	TRET21068		31 1/8 x 39 7/8	
	TRET1874	17 1/8 x 43 7/8	TRET2649	27 1/8 x 28 3/8	TRET21074		31 1/8 x 43 7/8	
	TRET1880	17 1/8 x 47 7/8	TRET2650	27 1/8 x 29 7/8	TRET21080		31 1/8 x 47 7/8	
20	TRET2030	21 1/8 x 17 7/8	26	TRET2651	27 1/8 x 30 3/8	30	TRET3030	33 1/8 x 17 7/8
	TRET2034	21 1/8 x 19 7/8		TRET2656	27 1/8 x 32 7/8		TRET3034	33 1/8 x 19 7/8
	TRET2038	21 1/8 x 21 7/8		TRET2660	27 1/8 x 35 7/8		TRET3038	33 1/8 x 21 7/8
	TRET2040	21 1/8 x 23 7/8		TRET2666	27 1/8 x 38 7/8		TRET3040	33 1/8 x 23 7/8
	TRET2046	21 1/8 x 26 7/8		TRET2668	27 1/8 x 39 7/8		TRET3046	33 1/8 x 26 7/8
	TRET2049	21 1/8 x 28 3/8		TRET2674	27 1/8 x 43 7/8		TRET3049	33 1/8 x 28 3/8
	TRET2050	21 1/8 x 29 7/8		TRET2680	27 1/8 x 47 7/8		TRET3050	33 1/8 x 29 7/8
	TRET2051	21 1/8 x 30 3/8	TRET2830	29 1/8 x 17 7/8	TRET3051		33 1/8 x 30 3/8	
	TRET2056	21 1/8 x 32 7/8	TRET2834	29 1/8 x 19 7/8	TRET3056		33 1/8 x 32 7/8	
	TRET2060	21 1/8 x 35 7/8	TRET2838	29 1/8 x 21 7/8	TRET3060		33 1/8 x 35 7/8	
	TRET2066	21 1/8 x 38 7/8	TRET2840	29 1/8 x 23 7/8	TRET3066		33 1/8 x 38 7/8	
	TRET2068	21 1/8 x 39 7/8	TRET2846	29 1/8 x 26 7/8	TRET3068		33 1/8 x 39 7/8	
	TRET2074	21 1/8 x 43 7/8	TRET2849	29 1/8 x 28 3/8	TRET3074		33 1/8 x 43 7/8	
	TRET2080	21 1/8 x 47 7/8	TRET2850	29 1/8 x 29 7/8	TRET3080		33 1/8 x 47 7/8	
24	TRET2430	25 1/8 x 17 7/8	28	TRET2851	29 1/8 x 30 3/8	32	TRET3230	35 1/8 x 17 7/8
	TRET2434	25 1/8 x 19 7/8		TRET2856	29 1/8 x 32 7/8		TRET3234	35 1/8 x 19 7/8
	TRET2438	25 1/8 x 21 7/8		TRET2860	29 1/8 x 35 7/8		TRET3238	35 1/8 x 21 7/8
	TRET2440	25 1/8 x 23 7/8		TRET2866	29 1/8 x 38 7/8		TRET3240	35 1/8 x 23 7/8
	TRET2446	25 1/8 x 26 7/8		TRET2868	29 1/8 x 39 7/8		TRET3246	35 1/8 x 26 7/8
	TRET2449	25 1/8 x 28 3/8		TRET2874	29 1/8 x 43 7/8		TRET3249	35 1/8 x 28 3/8
	TRET2450	25 1/8 x 29 7/8		TRET2880	29 1/8 x 47 7/8		TRET3250	35 1/8 x 29 7/8

E-Series DH Venting Insert Windows (8/2003 to 12/2007)

Custom Windows

Insect Screens

Screen Dimensions - Half Insect Screen						
	Unit No.	w x h		Unit No.	w x h	
32	TRET3251	35 1/8 x 30 3/8	38	TRET3830	41 1/8 x 17 7/8	40
	TRET3256	35 1/8 x 32 7/8		TRET3834	41 1/8 x 19 7/8	
	TRET3260	35 1/8 x 35 7/8		TRET3838	41 1/8 x 21 7/8	
	TRET3266	35 1/8 x 38 7/8		TRET3840	41 1/8 x 23 7/8	
	TRET3268	35 1/8 x 39 7/8		TRET3846	41 1/8 x 26 7/8	
	TRET3274	35 1/8 x 43 7/8		TRET3849	41 1/8 x 28 3/8	
	TRET3280	35 1/8 x 47 7/8		TRET3850	41 1/8 x 29 7/8	
34	TRET3430	37 1/8 x 17 7/8	38	TRET3851	41 1/8 x 30 3/8	40
	TRET3434	37 1/8 x 19 7/8		TRET3856	41 1/8 x 32 7/8	
	TRET3438	37 1/8 x 21 7/8		TRET3860	41 1/8 x 35 7/8	
	TRET3440	37 1/8 x 23 7/8		TRET3866	41 1/8 x 38 7/8	
	TRET3446	37 1/8 x 26 7/8		TRET3868	41 1/8 x 39 7/8	
	TRET3449	37 1/8 x 28 3/8		TRET3874	41 1/8 x 43 7/8	
	TRET3450	37 1/8 x 29 7/8		TRET3880	41 1/8 x 47 7/8	
	TRET3451	37 1/8 x 30 3/8		TRET4030	45 1/8 x 17 7/8	
	TRET3456	37 1/8 x 32 7/8	TRET4034	45 1/8 x 19 7/8		
	TRET3460	37 1/8 x 35 7/8	TRET4038	45 1/8 x 21 7/8		
	TRET3466	37 1/8 x 38 7/8	TRET4040	45 1/8 x 23 7/8		
	TRET3468	37 1/8 x 39 7/8	TRET4046	45 1/8 x 26 7/8		
	TRET3474	37 1/8 x 43 7/8	TRET4049	45 1/8 x 28 3/8		
	TRET3480	37 1/8 x 47 7/8	TRET4050	45 1/8 x 29 7/8		

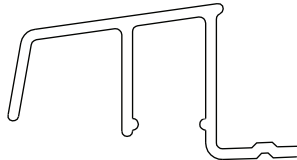
Insect Screens

Insect Screen Retainer

Insect Screen Retainer / Half Screen / 144"

Note:

(*) Anodized finishes. See [color options](#). Cut to size (Frame width - 4 1/2").



Color	2604	2605	Color	2604	2605
Colony White	0078200	00K9150	Moss	0078225	00K9190
White	0047052	0K14105	Forest Green	0047049	0K14102
Eagle Abalone	0078218	00K9174	Mallard Green	0078210	00K9160
Balsa White	0078205	00K9155	Spearmint	0066037	00K9183
Canvas	0011292	0K18155	Aquamarine	0066036	00K9182
Maple Syrup	0078220	00K9176	Patina	0066040	00K9189
Harvest Gold	0066034	00K9172	Sky Blue	0066029	00K9162
Prairie Grass	0011295	0K18158	Country Blue	0078208	00K9158
Flagstone	0078207	00K9157	Blue Denim	0078221	00K9177
Sandtone	0047050	0K14103	Watercolor Blue	0066031	00K9167
Pebble Tan	0078202	00K1356	Caribbean Blue	0066035	00K9180
Carmel	0078214	00K9166	Slate	0078222	00K9178
Terratone	0047051	0K14104	Moody Blue	0066030	00K9163
Hot Chocolate	0078223	00K9179	Stormy Blue	0078206	00K9156
Bourbon	0076686	00K9193	Dove Gray	0011293	0K18156
Acorn	0078227	00K9192	Harbor Mist	0078216	00K9171
Coffee Bean	0078229	00K9195	Yorktown Pewter	0066033	00K9170
Cocoa Bean	0011294	0K18157	Smokey Gray	0078226	00K9191
Dark Bronze	0049429	0K20924	Mystic Gray	0078232	00K9198
Clay Canyon	0078215	00K9168	Dark Ash	0078231	00K9197
Cardinal Red		00K9187	Black	0011291	0K18154
Bing Cherry		00K9186	Clear Anodized*		0075791
Fire Engine Red		00K1991	Champagne*		0075792
Cinnamon Toast	0078211	00K9161	Light Bronze*		0075793
Red Rock	0011296	0K18159	Medium Bronze*		0075794
Olive	0078209	00K9159	Copper*		
Sage	0078230	00K9196	Dark Bronze*		0075795
Billiard Green	0066032	00K9169	Black*		0075797

E-Series DH Venting Insert Windows (8/2003 to 12/2007)

Custom Windows

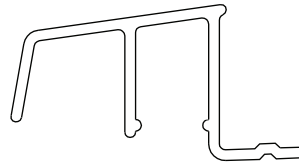
Insect Screens

Insect Screen Retainer

Insect Screen Retainer / Half Screen / 144"

Note:

(*) Anodized finishes. See [color options](#). Cut to size (Frame width - 4 1/2").



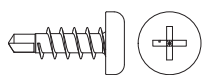
Color	2604	2605	Color	2604	2605
Eagle Black	0078219	00K9175			
Eagle Cappuccino	0078228	00K9194			
Bronze	0078201	00K9151			
Eagle Linen	0078233	00K9152			
Eagle Blue Mist	0066038	00K9184			
Eagle Pink Chablis	0066039	00K9185			
Eagle Butterscotch	0078212	00K9164			
Eagle Elephant	0078224	00K9181			
Eagle Chocolate Chip	0078213	00K9165			
Eagle Forest Green	0078203	00K9153			
Antique White	0078204	00K9154			
Eagle Gray Flannel	0078217	00K9173			
Copper Ann	By description	By description			

Insect Screen Parts

Screw

Note:

Used to secure half screen retainer.



Description	Order No.
#8 x 1/2" PPH TEKS #2 Zinc	0013441

Grilles

Grilles

Grilles

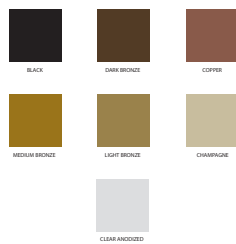
Note:

Replacement sash with permanently applied grilles and finelight grilles can be configured in iQ+. Replacement removable interior grilles can be configured in iQ+. Removable grilles are only available in 7/8" profile.

Exterior color/finish options

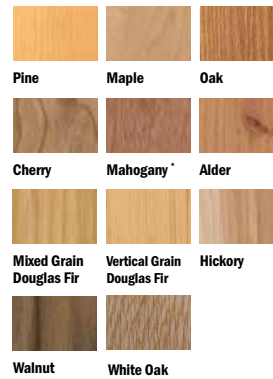


ANNODIZED FINISHES



Interior species/finish/color options

WOOD SPECIES



FACTORY-FINISHED INTERIORS



PAINTED OPTIONS



Grilles

Grille Options

Note:

Replacement sash with permanently applied grilles and finelight grilles can be configured in iQ. Replacement removable interior grilles can be configured in iQ. Removable grilles are only available in 7/8" profile.

Types



Full Divided Light

Give any window an authentic look with full divided light grilles that are permanently applied to the interior and exterior of your window with a spacer between the glass.



Simulated Divided Light

An economical solution with traditional beauty, our Simulated Divided Light features fixed exterior and interior grilles without an internal spacer.



Removable Interior Wood Grilles

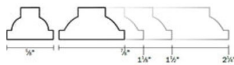
Our removable wood grilles are installed on the interior surface. They are available with an optional surround and an optional permanently applied exterior grille.



Finelight™ Grilles-Between-the-Glass

Aluminum grilles conveniently placed between two panes of glass make the glass easy to clean inside and out.

Profiles



Interior Wood:
Ovolo (Colonial)

Widths:

- 5/8"
- 7/8"
- 1 1/8"
- 1 1/2"
- 2 1/4"

Available with:

- Full Divided Light
- Simulated Divided Light



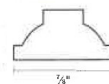
Exterior Aluminum:
Chamfer

Widths:

- 5/8"
- 7/8"
- 1 1/8"
- 1 1/2"
- 2 1/4"

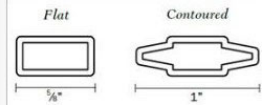
Available with:

- Full Divided Light
- Simulated Divided Light
- Removable Interior Wood with Optional Permanently Applied Exterior Grille



Removable Interior Wood Grilles

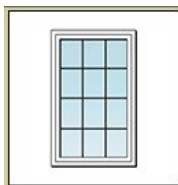
Ovolo profile in 7/8" width



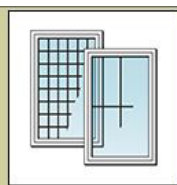
Finelight Grille Profiles and Widths

Flat or Contoured profiles in 5/8" or 1" widths

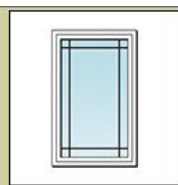
Patterns



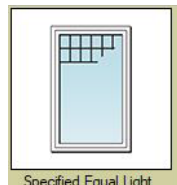
Colonial



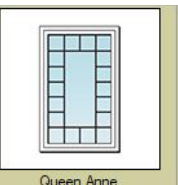
Specified Equal Light



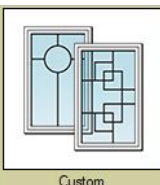
Prairie A



Specified Equal Light Fractional

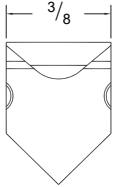
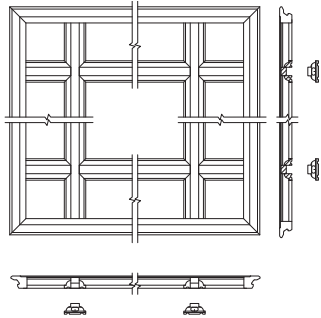
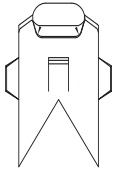
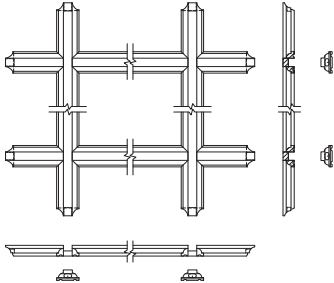


Queen Anne



Custom

Grilles

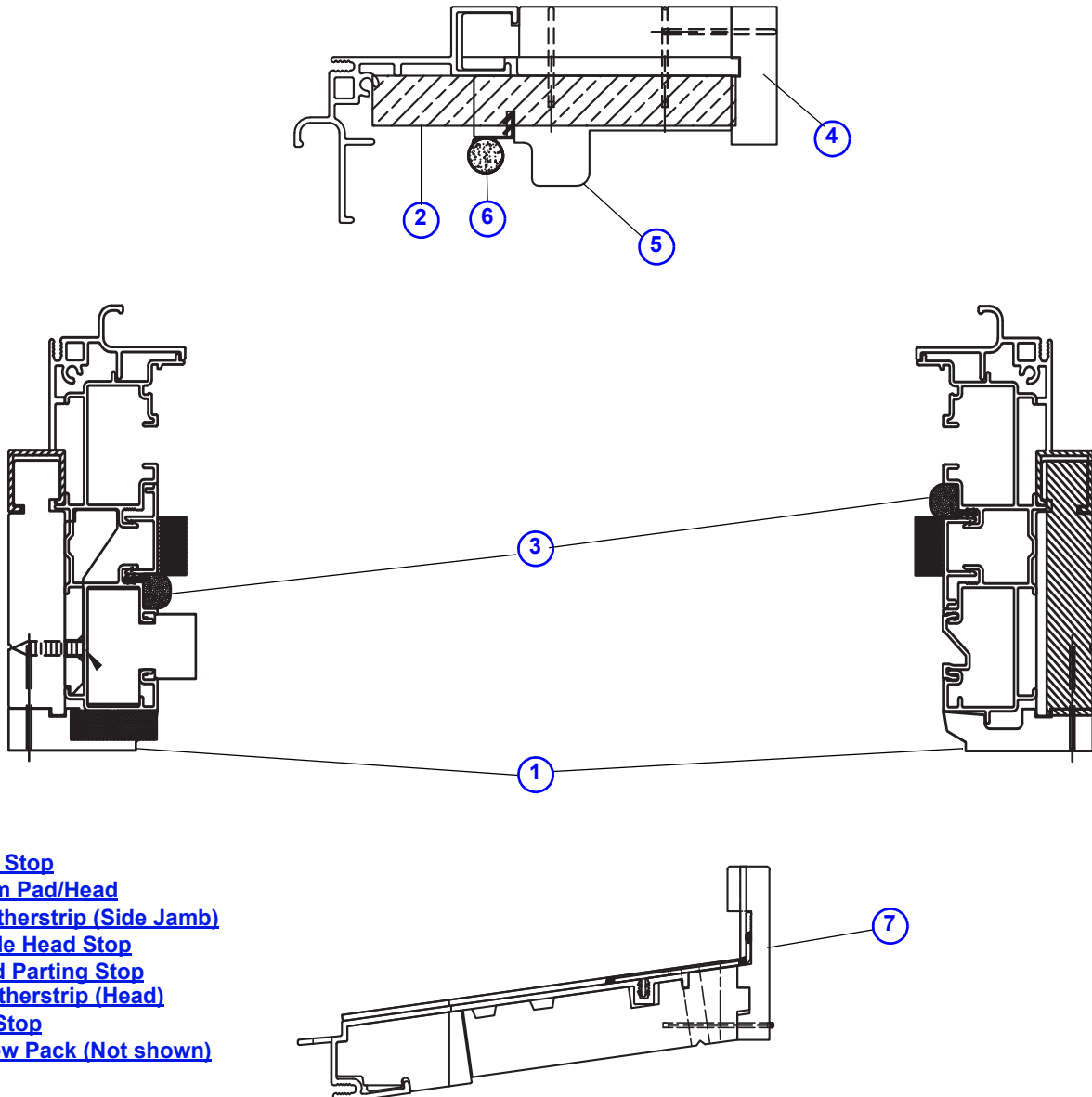
Interior Grille Parts		
Clip - Surround		
Note: Used with framed removable grilles.		
		Order No. 0004900
Clip - Knocked Down		
Note: Used with knocked down removable grilles.		
		Order No. 0004901

Frames

Frame Graphic

Note:

See current frame [Product Details](#).

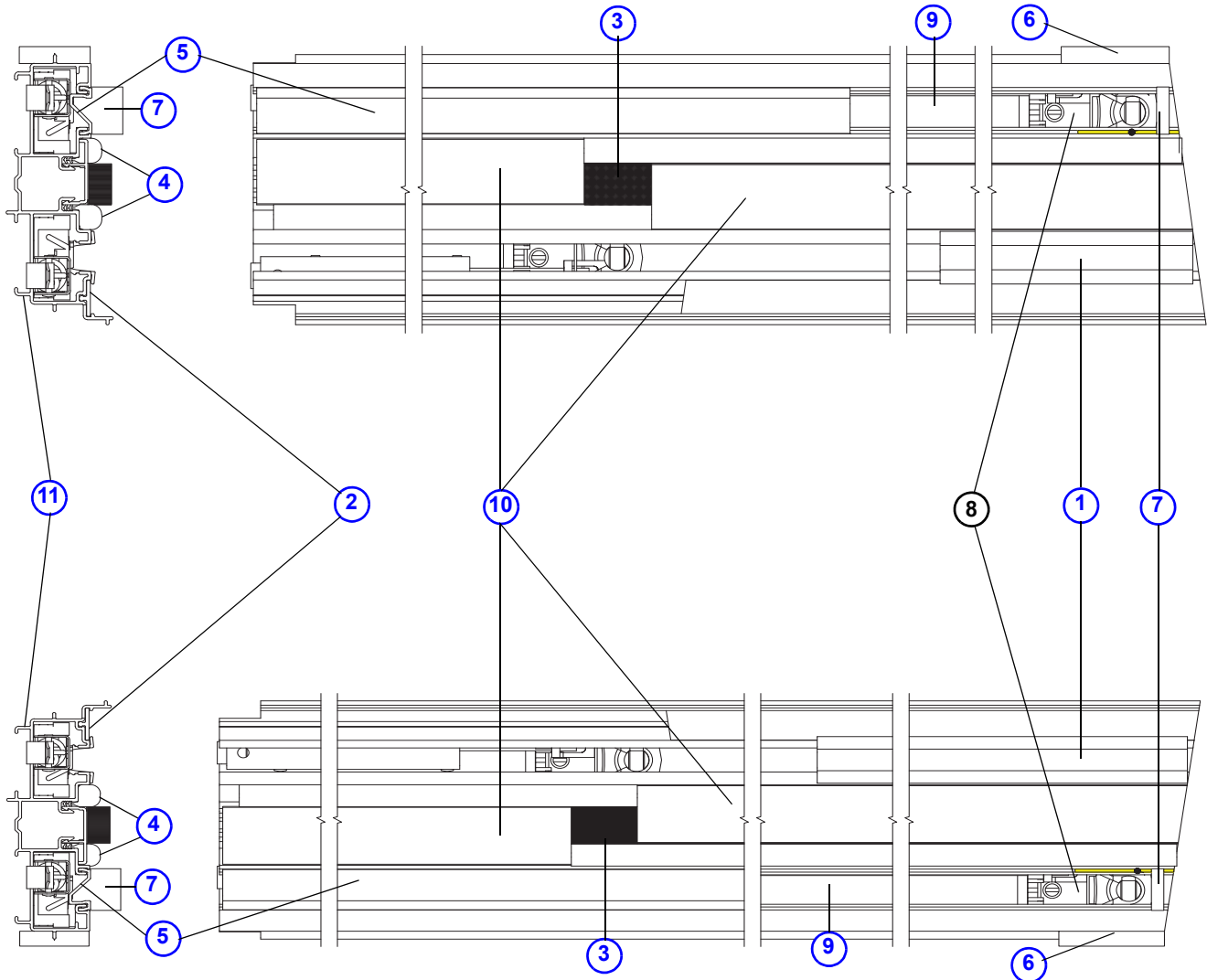


1. [Side Stop](#)
2. [Foam Pad/Head](#)
3. [Weatherstrip \(Side Jamb\)](#)
4. [Inside Head Stop](#)
5. [Head Parting Stop](#)
6. [Weatherstrip \(Head\)](#)
7. [Sill Stop](#)
8. [Screw Pack \(Not shown\)](#)

E-Series Double-Hung Venting Insert Window Frame Assembly

Frames

Frame Graphic - Jamb Liner Assembly



- | | | |
|---|--|---------------------------------------|
| 1. <u>Sash Stop</u> | 6. <u>Foam Filler (Sill)</u> | 11. <u>Jamb Liner</u> |
| 2. <u>Exterior Aluminum Cover</u> | 7. <u>Cushion (Sill)</u> | |
| 3. <u>Interlock Fuzz Pad</u> | 8. Balancer Shoe | |
| 4. <u>Weatherstrip</u> | 9. <u>Balancer (B & T)</u> | |
| 5. <u>Balancer Cover</u> | 10. <u>Jamb Liner Cover</u> | |

E-Series Double-Hung Windows Frame (Jamb Liner) Assembly

Frame

Note:

Replacement frames can be configured in iQ+.

To order, state:

Product ID (from product label, see [Service Guide 9051877](#))

OR

1. Description of Part/Size (TRET XXXX or frame W X H dimensions)
2. Colors/Species/Finish
3. Manufacturing Date

Exterior color/finish options

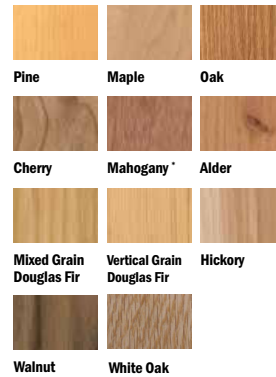


ANNODIZED FINISHES



Interior species/finish/color options

WOOD SPECIES



FACTORY-FINISHED INTERIORS



PAINTED OPTIONS



Frames

Stops

Stops - Head / Sill / Side

Note:

Stops (interior head, interior side, interior sill, support) are made to order.

To order, state:

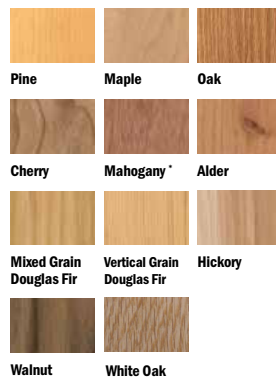
Product ID (from product label, see [Service Guide 9051877](#))

OR

1. Description of Part/Size (Interior Stop)
2. Color/Species/Finish
3. Location/Handing/Type (Head, Side, Sill, Support)
4. Manufacturing Date

Interior species/finish/color options

WOOD SPECIES



FACTORY-FINISHED INTERIORS



PAINTED OPTIONS



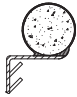
E-Series DH Venting Insert Windows (8/2003 to 12/2007)

Custom Windows

Frames

Weatherstrip

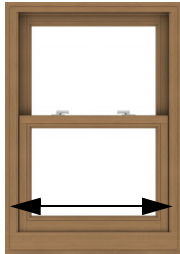
Weatherstrip - Frame / Head Jamb Ref. No. 6 [page 39](#)

		Length	Color	Order No.
		10 ft (120")	Beige	0520141

Frames

Hardware and Frame Parts

Sash Stop - Jamb Liner Ref. 1 [page 40](#)



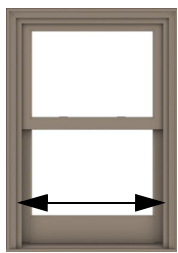
Note:

Sash stop for jamb liner assembly is made to order.

To order, state:

1. Description of Part (Sash Stop - Jamb Liner Assembly)
2. Quantity
3. Height
4. Color (Beige, White)
5. Product ID (from product label, see [Service Guide 9051877](#))

Cover (Aluminum) - Jamb Liner Ref. 2 [page 40](#)



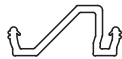
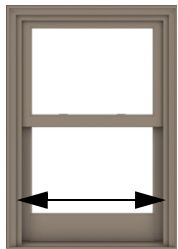
Note:

Cover for jamb liner assembly is made to order.

To order, state:

1. Description of Part (Cover - Jamb Liner)
2. Quantity
3. Height
4. Exterior Color
5. Product ID (from product label, see [Service Guide 9051877](#))

Cover - Balancer Ref. 5 [page 40](#)



Note:

Balancer cover is made to order.

To order, state:

1. Description of Part (Balancer Cover - Jamb Liner)
2. Quantity
3. Height
4. Color (Beige, White)
5. Product ID (from product label, see [Service Guide 9051877](#))

Foam Head Pad Ref. No. 2 [page 39](#)



Dimensions (w x depth x h)	Order No.
3 5/8 x 1 1/8 x 1/2	0029247

Foam Filler Ref. 6 [page 40](#)

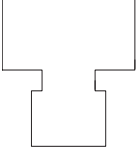


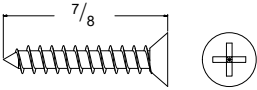
Order No.
0034854

E-Series DH Venting Insert Windows (8/2003 to 12/2007)

Custom Windows

Frames

Cushion - Sill Ref. 7 page 40	
	Order No.
	0034855

Screw - Sill Cushion	
	Order No.
	0015746

Frames

Cover - Jamb Liner Ref. 10 [page 40](#)

Note:

Jamb liner cover is made to order.

To order, state:

1. Description of Part (Cover - Jamb Liner)
 2. Quantity
 3. Location (Upper, Lower)
 4. Height
 5. Species
 6. Color (Beige or White for Non-Veneer PVC) (Exterior color for Aluminum)
 7. Finish (Veneer PVC)
 8. Style (Equal, Cottage, Reverse Cottage, SSR)
- Product ID (from product label, see [Service Guide 9051877](#))

<p>Upper</p> <p>Lower</p>	<p>Upper Non-Veneer PVC</p>	<p>Upper Veneer PVC</p>	<p>Order No.</p> <p>By description</p>
	<p>Lower Non-Veneer PVC</p>	<p>Lower Aluminum</p>	

E-Series DH Venting Insert Windows (8/2003 to 12/2007)

Custom Windows

Frames

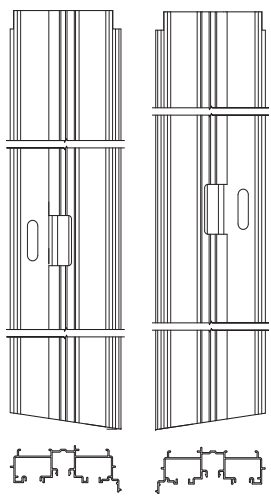
Jamb Liner Ref. 11 [page 40](#)

Note:

Jamb liner is made to order.

To order, state:

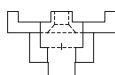
1. Description of Part (Jamb Liner)
 2. Quantity
 3. Color (Beige, White)
 4. Unit Size/Height
 5. Glazing
 6. Handing (Left, Right)
 7. Style (Equal, Cottage, Reverse Cottage, SSR)
- Product ID (from product label, see [Service Guide 9051877](#))

		Order No.
		By description

Jamb Liner Support

Note:

Used on fixed top sash units.

	Description	Order No.
		0006330

Jamb Liner Support Block

Note:

Used on frames with a height (?) >44".

	Description	Order No.
		By description

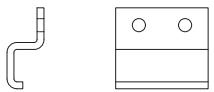
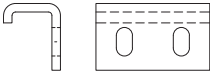
Screw - Jamb Liner Support Block

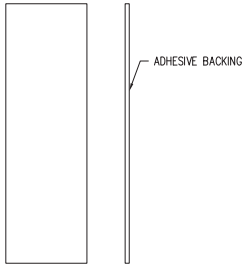
Note:

	Description	Order No.
	#8 x 1 1/2" PFHSMS 18-8 SS Type AB	0019840
	#8 x 1 1/2" PFHSMS Type AB Z & Y	0033462

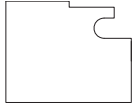
Frames

Screw Pack - Installation	
Note: Retrofit installation screw pack.	
	Order No. 0074149

Clip	
Note: Used for Impact Resistant units. Secures to jamb liner structural clips.	
	Order No. 9105328
	Description Stile Receiver Clip
	Order No. 9105329
	Description Jamb Structural Clip

Sill Foam Pad	
Note:	
	Order No. 0075299

Clip - Bottom Rail	
	Order No. 0009568

Foam Plug	
	Order No. 0029252