

What's in This Section

Standard Windows	Page 3
Parts Illustration	3
Parts Illustration	3
Colors - Exterior	4
Colors/Species/Finishes - Interior	5
Unit Sizes	6
Standard and Custom Window Sizes	6
E-Series Product Label	6
Unit Size Chart - Standard Windows	7
Sash	8
Sash Size Table	8
Sash Graphic	11
Sash Graphic / Detail	12
Sash	13
Weatherstrip	14
Glass	15
Glass	15
Glass Stops	16
Glass Parts	17
Insect Screens	18
Insect Screen	18
Insect Screen - Standard Screens	19
Insect Screen Parts	20
Grilles	21
Grilles	21
Grille Options	22
Interior Grille Parts	23
Hardware	24
Hinge Components	24
Handles	26
Locks and Lock Components	27
Optional Hardware	28
Frames	29
Frame Graphic - Side Jambs	29
Frame Graphic - Head Jamb and Sill	30
Frame	31
Stops	33

Weatherstrip	34
Frame Parts	35

E-Series Vintage Push Out Awning Windows (2005 to 2011)

Standard Windows

Parts Illustration

Parts Illustration



Manufactured 2012 to Present

E-Series Push Out Awning Window Unit Parts

Unit viewed from interior

Parts Illustration

Colors - Exterior

Note:
(*) Anodized Finishes

			Colony White	White	Abalone	Balsa White
			Canvas	Maple Syrup	Harvest Gold	Prairie Grass
Flagstone	Sandtone	Pebble Tan	Carmel	Terratone	Hot Chocolate	Bourbon
Acorn	Coffee Bean	Cocoa Bean	Sierra Bronze	Dark Bronze	Clay Canyon	Red Rock
Cardinal	Bing Cherry	Fire Engine Red	Cinnamon Toast	Olive	Sage	Billiard Green
Moss	Forest Green	Mallard Green	Spearmint	Aquamarine	Patina	Sky Blue
Country Blue	Blue Denim	Watercolor Blue	Caribbean Blue	Slate	Moody Blue	Stormy Blue
Dove Gray	Harbor Mist	Yorktown Pewter	Smokey Gray	Mystic Gray	Dark Ash	Black
Light Bronze*	Champagne*	Clear Anodized*	Black	Dark Bronze*	Copper*	Medium Bronze*

E-Series Vintage Push Out Awning Windows (2005 to 2011)

Standard Windows

Parts Illustration

Colors/Species/Finishes - Interior

Species Interior Options



Pine



Mixed Grain
Douglas Fir



Oak



Maple



Walnut



Alder



Hickory



Mahogany



Vertical Grain
Douglas Fir



Cherry



White Oak

Stained Interior Options



Clear Coat



Wheat



Autumn Oak



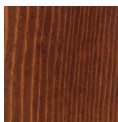
Golden Hickory



Honey



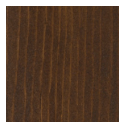
Cinnamon



Russet

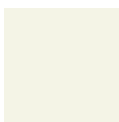


Mocha

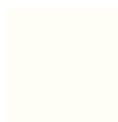


Espresso

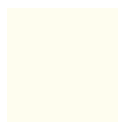
Painted Interior Options



White



Birch Bark



Primed



Canvas



Sandtone



Terratone



Forest Green



Dark Bronze



Dove Gray



Prairie Grass



Red Rock



Cocoa Bean



Black



Anodized Silver ¹

Unit Sizes

Unit Sizes

Standard and Custom Window Sizes

Note:

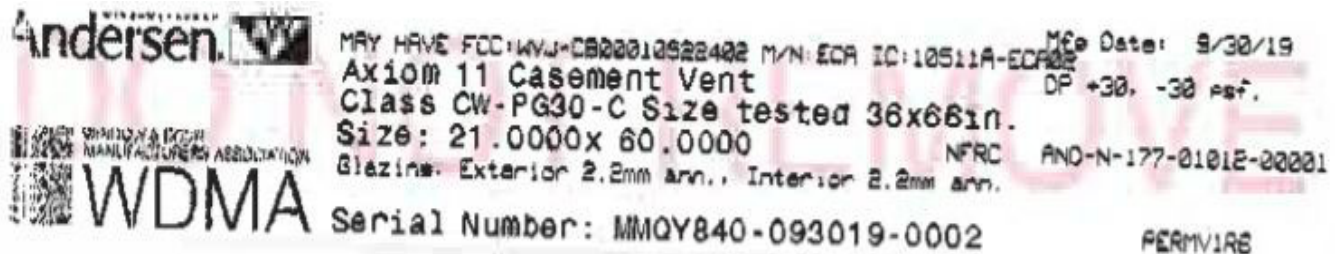
E-Series Push Out Awning Windows are available in standard sizes (see standard size charts, [page 6](#)). Replacement parts for some standard windows can be ordered using the numbers listed in this catalog. Many replacement parts for standard windows are made to order. These items are ordered using the Product ID found on the identification label and a description of the part is needed. See [Service Guide 9051877](#).

E-Series Push Out Awning Windows are also available in custom sizes in 1/8" increments between the smallest and the largest standard sizes. Most replacement parts for custom-sized windows are made to order and can be ordered with the Product ID found on the identification label and a description of the part needed. See [Service Guide 9051877](#).

E-Series Product Label

Note:

Every E-Series Push Out Awning Window will have an identification label or glass etching containing a unique Product ID. The Product ID on E-Series Push Out Awning Windows will be located at the top of the window frame or etched into the glass. See [Service Guide 9051877](#). The Product ID may be up to 14 digits long (excluding hyphens), depending on the age of the unit. Replacement parts will also get their own unique Product ID. When ordering replacement parts, providing the Product ID ensures that replacement parts match the specifications.



Andersen
 MAY HAVE FCC: WVAJ-CB20010522402 M/N: ECA ID: 10511A-ECF02 Mfg Date: 9/30/19
 Axiom 11 Casement Vent DP +30, -30 est.
 Class CW-PG30-C Size tested 36x66in.
 Size: 21.0000x 60.0000 NFRC AND-N-177-0101E-0001
 Glazing: Exterior 2.2mm arg., Interior 2.2mm arg.
 Serial Number: MMQY840-093019-0002 PERM1RS
 WDMA

E-Series Vintage Push Out Awning Windows (2005 to 2011)

Standard Windows

Unit Sizes

Unit Size Chart - Standard Windows

Note:

F.S. refers to overall outside-to-outside frame. R.O. refers to rough opening. See latest [Size Grid](#).

Push Out Awning Window Sizes

	2' 0 1/2"	2' 4 1/2"	2' 6 1/2"	2' 8 1/2"	3' 0 1/2"	3' 4 1/2"	4' 0 1/2"
	2' 0"	2' 4"	2' 6"	2' 8"	3' 0"	3' 4"	4' 0"
1' 8"							
2' 0"							
2' 6"							
3' 0"							
3' 4"							
4' 0"							

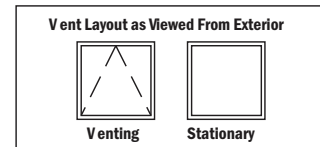
NOTES

If glass is positioned within 18" of the finished floor, safety/tempered glass may be required. Local codes may differ. Verify tempered glass requirements with your local building code official.

Use structural joining material when necessary or required by code.

The light patterns illustrated apply to rectangular removable interior wood grilles, Full Divided Light, Simulated Divided Light, Decorelle 100, 150 and 400 and Finelight™ Grilles-Between-the-Glass. All removable interior wood grilles will be installed in the units unless otherwise specified.

For a metric conversion in millimeters, multiply dimensions in inches by 25.4.



FORMULA FOR COMBINATION WINDOWS

The overall frame dimension (both width and height) is equal to the sum of the individual unit frame dimensions plus joining material dimension(s).

The overall rough opening (both width and height) is equal to the overall frame dimensions plus 1/4" on all sides.

Any unit within each combination can be operating or stationary.

PUSH OUT AWNING

Units ≥ 36" Actual Frame Height receive (2) friction stays.

E-Series Push Out Awning Standard Window Unit Sizes

Sash

Sash

Sash Size Table

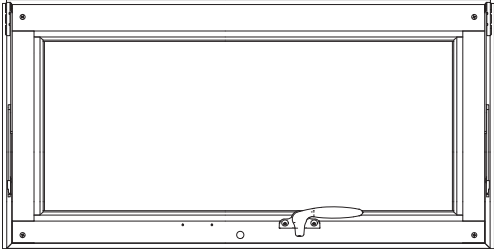
Note:

Sash shown is Push Out Awning. Overall Sash is measured outside edge to outside edge of frame.

E-Series Vintage Push Out Awning Windows (2005 to 2011)

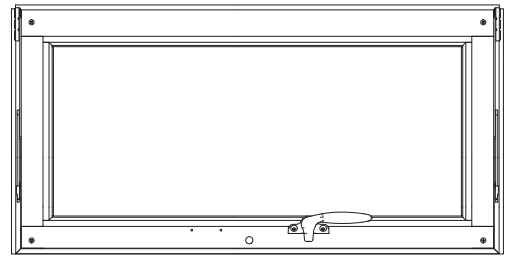
Standard Windows

Sash

Sash Size Table				
	Unit No.	Sash Dimensions (w x h)	Visible Glass Dimensions (w x h)	Graphic
20	APOAX2018	22 1/2 x 18 1/2	17 7/8 x 13 7/8	
	APOAX2020	22 1/2 x 22 1/2	17 7/8 x 17 7/8	
	APOAX2026	22 1/2 x 28 1/2	17 7/8 x 23 7/8	
	APOAX2030	22 1/2 x 34 1/2	17 7/8 x 29 7/8	
	APOAX2034	22 1/2 x 38 1/2	17 7/8 x 33 7/8	
	APOAX2040	22 1/2 x 46 1/2	17 7/8 x 41 7/8	
24	APOAX2418	26 1/2 x 22 1/2	21 7/8 x 13 7/8	
	APOAX2420	26 1/2 x 28 1/2	21 7/8 x 17 7/8	
	APOAX2426	26 1/2 x 30 1/2	21 7/8 x 23 7/8	
	APOAX2430	26 1/2 x 34 1/2	21 7/8 x 29 7/8	
	APOAX2434	26 1/2 x 38 1/2	21 7/8 x 33 7/8	
	APOAX2440	26 1/2 x 46 1/2	21 7/8 x 41 7/8	
26	APOAX2620	28 1/2 x 22 1/2	23 7/8 x 13 7/8	
	APOAX2626	28 1/2 x 28 1/2	23 7/8 x 17 7/8	
	APOAX2628	28 1/2 x 30 1/2	23 7/8 x 23 7/8	
	APOAX2630	28 1/2 x 34 1/2	23 7/8 x 29 7/8	
	APOAX2634	28 1/2 x 38 1/2	23 7/8 x 33 7/8	
	APOAX2640	28 1/2 x 46 1/2	23 7/8 x 41 7/8	
28	APOAX2820	30 1/2 x 22 1/2	25 7/8 x 13 7/8	
	APOAX2826	30 1/2 x 28 1/2	25 7/8 x 17 7/8	
	APOAX2828	30 1/2 x 30 1/2	25 7/8 x 23 7/8	
	APOAX2830	30 1/2 x 34 1/2	25 7/8 x 29 7/8	
	APOAX2834	30 1/2 x 38 1/2	25 7/8 x 33 7/8	
	APOAX2840	30 1/2 x 46 1/2	25 7/8 x 41 7/8	
30	APOAX3020	34 1/2 x 22 1/2	29 7/8 x 13 7/8	
	APOAX3026	34 1/2 x 28 1/2	29 7/8 x 17 7/8	
	APOAX3028	34 1/2 x 30 1/2	29 7/8 x 23 7/8	
	APOAX3030	34 1/2 x 34 1/2	29 7/8 x 29 7/8	
	APOAX3034	34 1/2 x 38 1/2	29 7/8 x 33 7/8	
	APOAX3040	34 1/2 x 46 1/2	29 7/8 x 41 7/8	

Sash

Sash Size Table			
Unit No.	Sash Dimensions (w x h)	Visible Glass Dimensions (w x h)	Graphic
34	APOAX3420	38 1/2 x 22 1/2	33 7/8 x 13 7/8
	APOAX3426	38 1/2 x 28 1/2	33 7/8 x 17 7/8
	APOAX3428	38 1/2 x 30 1/2	33 7/8 x 23 7/8
	APOAX3430	38 1/2 x 34 1/2	33 7/8 x 29 7/8
	APOAX3434	38 1/2 x 38 1/2	33 7/8 x 33 7/8
	APOAX3440	38 1/2 x 46 1/2	33 7/8 x 41 7/8
40	APOAX4020	46 1/2 x 22 1/2	41 7/8 x 13 7/8
	APOAX4026	46 1/2 x 28 1/2	41 7/8 x 17 7/8
	APOAX4028	46 1/2 x 30 1/2	41 7/8 x 23 7/8
	APOAX4030	46 1/2 x 34 1/2	41 7/8 x 29 7/8
	APOAX4034	46 1/2 x 38 1/2	41 7/8 x 33 7/8
	APOAX4040	46 1/2 x 46 1/2	41 7/8 x 41 7/8



E-Series Vintage Push Out Awning Windows (2005 to 2011)

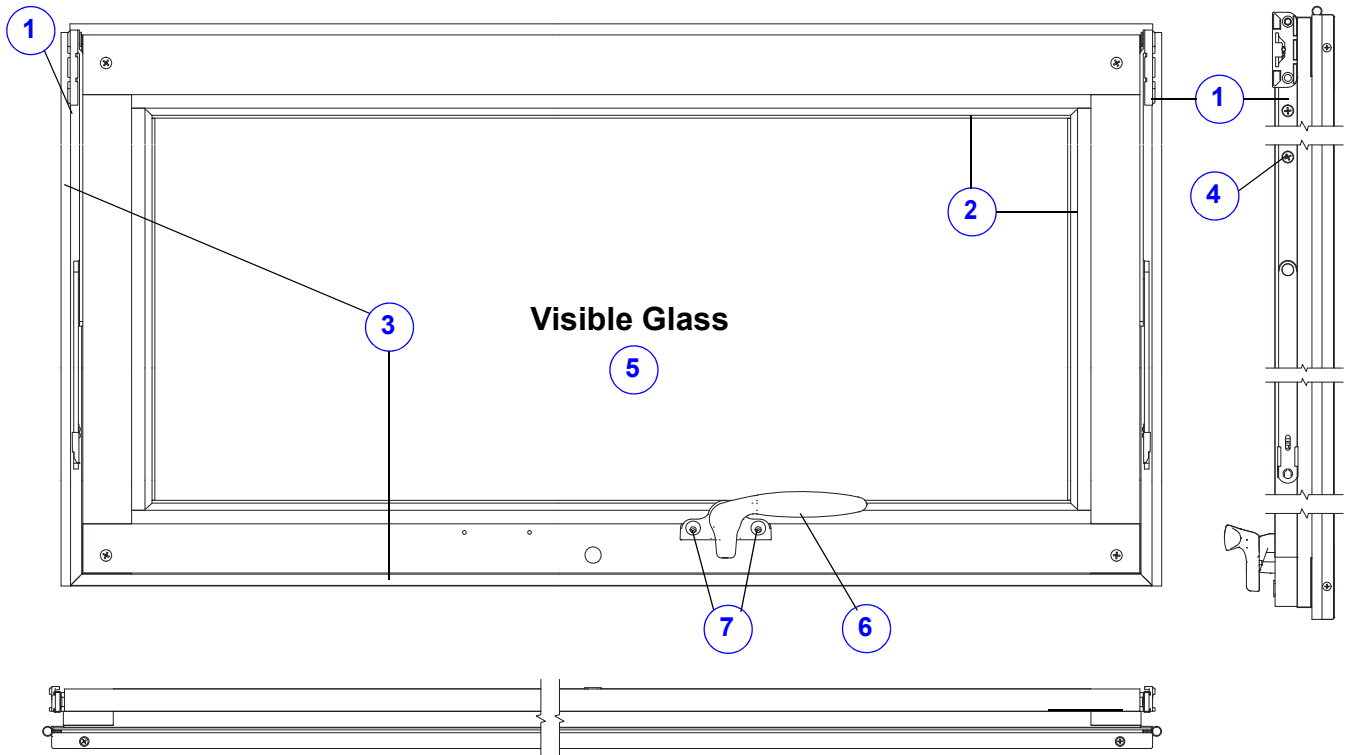
Standard Windows

Sash

Sash Graphic

Note:

Standard Push Out Awning sash shown. See additional [Awning types](#).



- 1. [Hinge](#)
- 2. [Stop](#)
- 3. [Weatherstrip](#)
- 4. [Screw \(Hinge\)](#)
- 5. [Glass](#)
- 6. [Handle](#)
- 7. [Screw \(Handle\)](#)

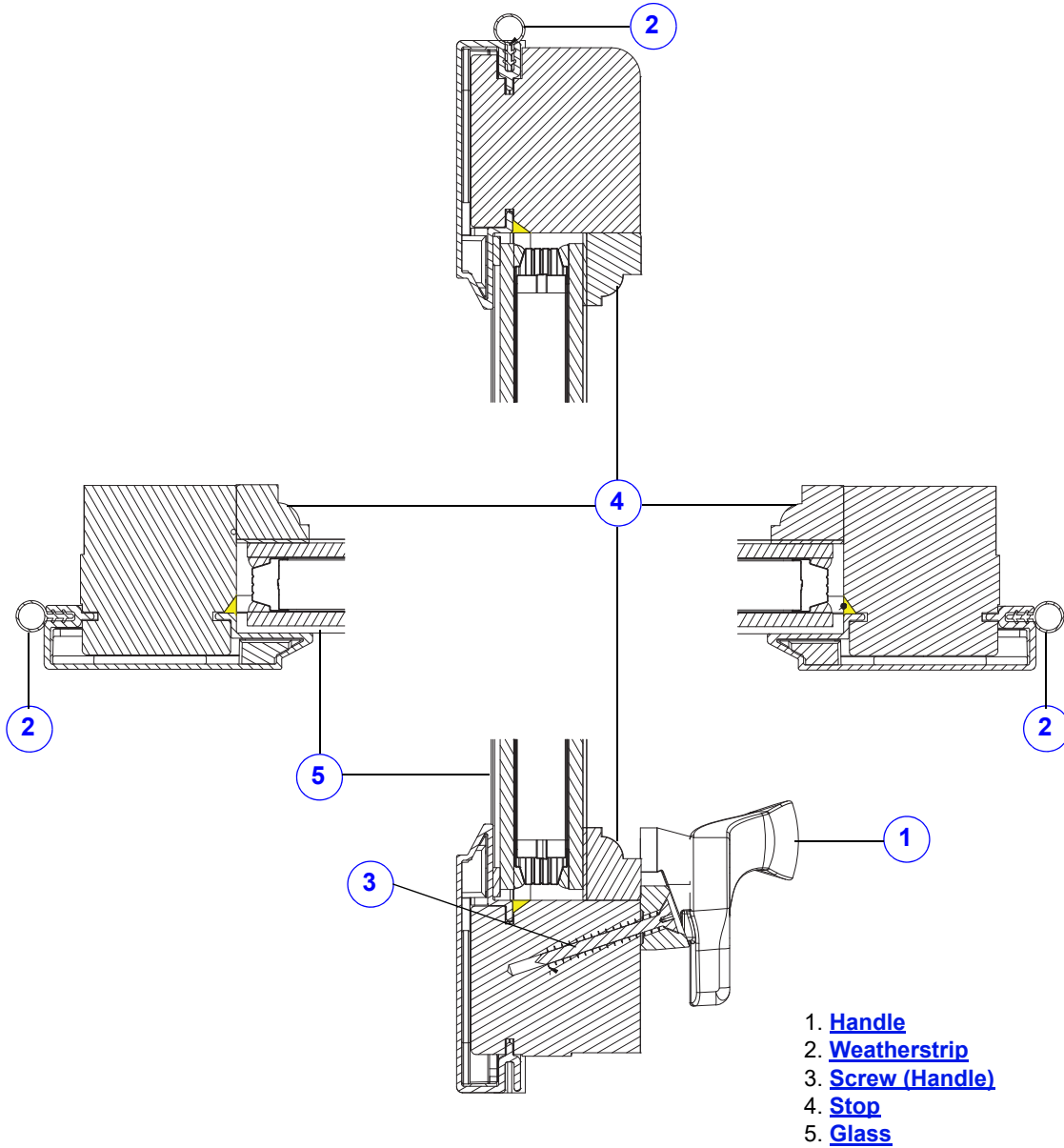
E-Series Push Out Awning Sash

Sash viewed from interior

Sash

Sash Graphic / Detail

Note:
Push Out Awning sash detail shown. See additional [Awning types](#).



Sash

Sash - Operating

Note:

Replacement sash are made to order and can be configured through iQ+. Current glazings replace previous vintage glazings. Product ID label is located on the head jamb.



TEMPERED
UA
16 CFR 1201.11
ANSI Z97.1-2009
SGCC XXXX
CIG-XX Xmm MM/DD/YR
CAN/CGSB 12.1-M90

Exterior color options:

Interior species/finish/color options:

Glass options (See Logo/Etching Examples):


Low-E4®	Low-E4® HeatLock	Low-E4® SmartSun HeatLock
Low-E4® SmartSun™	Low-E4® Smart-Sun HeatLock	Low-E4® Triple-Pane
Low-E4® Passive Sun	Low-E4® Sun Heat-Lock	Low-E4® Smart-Sun Triple-Pane
Low-E4® Sun 3	Low-E4® HeatLock Tempered	Low-E4® Enhanced Triple-Pane
Low-E4® Tempered	Dual Pane Clear	Low-E4® Smart-Sun Enhanced Triple-Pane
Low-E4® SmartSun Tempered	Cascade	Low-E4® Enhanced Triple-Pane Heat-Lock
Low-E4® Passive Sun Tempered	Fern	Low-E4® Smart-Sun Enhanced Triple-Pane HeatLock
Low-E4® Sun Tempered	Reed	

To order, state:

Product ID (from product label, see [Service Guide 9051877](#)) OR

1. Unit or frame size (APOAX XXXX or frame W x H dimensions)
2. Description of part (Sash)
3. Sash handing (Right, Left, or Stationary)
4. Exterior color of sash to be replaced
5. Interior wood species/finish/color of sash to be replaced
6. Glazing/Grille type
7. Glass Stop Type (Ovolo, Contemporary)
8. Manufacturing Date

Sash

Weatherstrip				
Weatherstrip				
		Color	Size	Order No.
		White	10 ft (120")	9103912
		Black		9103913
		White	25 ft (300")	9103816
Black	9103817			

E-Series Vintage Push Out Awning Windows (2005 to 2011)

Standard Windows

Glass

Glass

Glass

Glass

Note:

Replacement glass is made to order and can be configured through iQ+. Current glazings replace previous vintage glazings. Product ID label is located on the head jamb. Glass ships with sealant and spacers. See [Accessory Guide 9176386](#).



TEMPERED
UA
16 CFR 1201.11
ANSI Z97.1-2009
SGCC XXXX
CIG-XX Xmm MM/DD/YR
CAN/CGSB 12.1-M90

Exterior color options:

Interior species/finish/color options:

Glass options (See Logo/Etching Examples):

Low-E4®	Low-E4® HeatLock	Low-E4® SmartSun HeatLock
Low-E4® SmartSun™	Low-E4® Smart-Sun HeatLock	Low-E4® Triple-Pane
Low-E4® Passive Sun	Low-E4® Sun Heat-Lock	Low-E4® Smart-Sun Triple-Pane
Low-E4® Sun 3	Low-E4® HeatLock Tempered	Low-E4® Enhanced Triple-Pane
Low-E4® Tempered	Dual Pane Clear	Low-E4® Smart-Sun Enhanced Triple-Pane
Low-E4® SmartSun Tempered	Cascade	Low-E4® Enhanced Triple-Pane Heat-Lock
Low-E4® Passive Sun Tempered	Fern	Low-E4® Smart-Sun Enhanced Triple-Pane HeatLock
Low-E4® Sun Tempered	Reed	

To order, state:

Product ID (from product label, see [Service Guide 9051877](#))

OR

1. Unit or frame size (APOAX XXXX or frame W x H dimensions)
2. Description of part (Glass)
3. Glazing/Grille type
4. Glass Stop Type (Ovolo, Contemporary)
5. Manufacturing Date

Glass

Glass Stops

Stops - Top / Bottom / Side

Note:

Stops (top, bottom and side) are made to order.

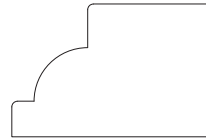
To order, state:

Product ID (from product label, see [Service Guide 9051877](#))

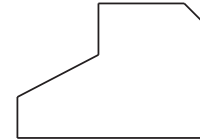
OR

1. Description of Part/Size (Stop)
2. Color/Species/Finish
3. Location/Handing (Top, Bottom, Side)
4. Type (Ovolo, Coped)
5. Manufacturing Date

Ovolo



Coped



Interior species/finish/color options

WOOD SPECIES



Pine Maple Oak



Cherry Mahogany* Alder



Mixed Grain Douglas Fir Vertical Grain Douglas Fir Hickory



Walnut White Oak

FACTORY-FINISHED INTERIORS



Clear Coat Wheat Autumn Oak



Golden Hickory Honey Cinnamon



Russet Mocha Espresso

PAINTED OPTIONS



White Birch Bark Primed (for paint)



Canvas Sandtone Terratone



Forest Green Dark Bronze Dove Gray



Prairie Grass Red Rock Cocoa Bean



Black

Painted options available with pine and maple only.

E-Series Vintage Push Out Awning Windows (2005 to 2011)

Standard Windows

Glass

Glass Parts			
Glazing Tape			
Note: See Accessory Guide 9064542 .			
		Color	Order No.
		Gray	33751RL
Silicone Bed Glazing			
		Color	Order No.
		Dove Gray	9164412

Insect Screens

Insect Screens

Insect Screen

Note:

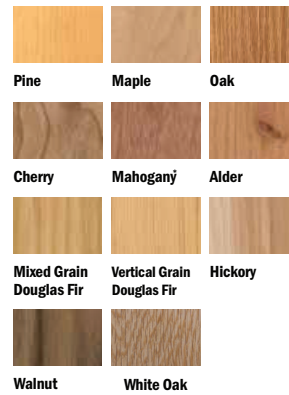
Swinging screens available in fiberglass and aluminum mesh while retractable screens are only available in fiberglass mesh. Replacement insect screens can be configured in iQ+.

Color/finish options



Species/finish/color options

WOOD SPECIES



FACTORY-FINISHED INTERIORS



Swinging



Retractable Screen

E-Series Vintage Push Out Awning Windows (2005 to 2011)

Standard Windows

Insect Screens


Insect Screen - Standard Screens

Insect Screen - Standard Screens



Unit No.	Dimensions (w x h)
20	APOAX2018 20 ¹³ / ₃₂ X 15 ²¹ / ₃₂
	APOAX2020 20 ¹³ / ₃₂ X 19 ²¹ / ₃₂
	APOAX2026 20 ¹³ / ₃₂ X 25 ²¹ / ₃₂
	APOAX2030 20 ¹³ / ₃₂ X 31 ²¹ / ₃₂
	APOAX2034 20 ¹³ / ₃₂ X 35 ²¹ / ₃₂
	APOAX2040 20 ¹³ / ₃₂ X 43 ²¹ / ₃₂
24	APOAX2418 24 ¹³ / ₃₂ X 15 ²¹ / ₃₂
	APOAX2420 24 ¹³ / ₃₂ X 19 ²¹ / ₃₂
	APOAX2426 24 ¹³ / ₃₂ X 25 ²¹ / ₃₂
	APOAX2430 24 ¹³ / ₃₂ X 31 ²¹ / ₃₂
	APOAX2434 24 ¹³ / ₃₂ X 35 ²¹ / ₃₂
	APOAX2440 24 ¹³ / ₃₂ X 43 ²¹ / ₃₂
26	APOAX2620 26 ¹³ / ₃₂ X 19 ²¹ / ₃₂
	APOAX2626 26 ¹³ / ₃₂ X 25 ²¹ / ₃₂
	APOAX2628 26 ¹³ / ₃₂ X 27 ²¹ / ₃₂
	APOAX2630 26 ¹³ / ₃₂ X 31 ²¹ / ₃₂
	APOAX2634 26 ¹³ / ₃₂ X 35 ²¹ / ₃₂
	APOAX2640 26 ¹³ / ₃₂ X 43 ²¹ / ₃₂
28	APOAX2820 28 ¹³ / ₃₂ X 19 ²¹ / ₃₂
	APOAX2826 28 ¹³ / ₃₂ X 25 ²¹ / ₃₂
	APOAX2828 28 ¹³ / ₃₂ X 27 ²¹ / ₃₂
	APOAX2830 28 ¹³ / ₃₂ X 31 ²¹ / ₃₂
	APOAX2834 28 ¹³ / ₃₂ X 35 ²¹ / ₃₂
	APOAX2840 28 ¹³ / ₃₂ X 43 ²¹ / ₃₂
30	APOAX3020 32 ¹³ / ₃₂ X 19 ²¹ / ₃₂
	APOAX3026 32 ¹³ / ₃₂ X 25 ²¹ / ₃₂
	APOAX3028 32 ¹³ / ₃₂ X 27 ²¹ / ₃₂
	APOAX3030 32 ¹³ / ₃₂ X 32 ¹³ / ₃₂
	APOAX3034 32 ¹³ / ₃₂ X 35 ²¹ / ₃₂
	APOAX3040 32 ¹³ / ₃₂ X 43 ²¹ / ₃₂

Insect Screens

Insect Screen - Standard Screens		
		
Unit No.		Dimensions (w x h)
34	APOAX3420	36 ¹³ / ₃₂ X 19 ²¹ / ₃₂
	APOAX3426	36 ¹³ / ₃₂ X 25 ²¹ / ₃₂
	APOAX3428	36 ¹³ / ₃₂ X 27 ²¹ / ₃₂
	APOAX3430	36 ¹³ / ₃₂ X 31 ²¹ / ₃₂
	APOAX3434	36 ¹³ / ₃₂ X 35 ²¹ / ₃₂
40	APOAX4020	44 ¹³ / ₃₂ X 19 ²¹ / ₃₂
	APOAX4026	44 ¹³ / ₃₂ X 25 ²¹ / ₃₂
	APOAX4028	44 ¹³ / ₃₂ X 27 ²¹ / ₃₂
	APOAX4030	44 ¹³ / ₃₂ X 31 ²¹ / ₃₂

Insect Screen Parts	
Installation Kit	
Kit Includes: (2) Bushings (2) Housings (2) Magnets (2) Fasteners #4 x 3/4"	
	Order No. 9133478

E-Series Vintage Push Out Awning Windows (2005 to 2011)

Standard Windows

Grilles

Grilles

Grilles

Note:

Replacement sash with permanently applied grilles and finelight grilles can be configured in iQ+. Replacement removable interior grilles can be configured in iQ+. Removable grilles are only available in 7/8" profile.

Exterior color/finish options

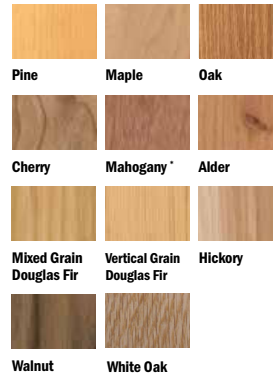


ANNODIZED FINISHES



Interior species/finish/color options

WOOD SPECIES



FACTORY-FINISHED INTERIORS



PAINTED OPTIONS



Grilles

Grille Options

Note:

Replacement sash with permanently applied grilles and finelight grilles can be configured in iQ. Replacement removable interior grilles can be configured in iQ. Removable grilles are only available in 7/8" profile.

Types



Full Divided Light

Give any window an authentic look with full divided light grilles that are permanently applied to the interior and exterior of your window with a spacer between the glass.



Simulated Divided Light

An economical solution with traditional beauty, our Simulated Divided Light features fixed exterior and interior grilles without an internal spacer.



Removable Interior Wood Grilles

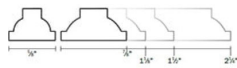
Our removable wood grilles are installed on the interior surface. They are available with an optional surround and an optional permanently applied exterior grille.



Finelight™ Grilles-Between-the-Glass

Aluminum grilles conveniently placed between two panes of glass make the glass easy to clean inside and out.

Profiles



Interior Wood:
Ovolo (Colonial)

Widths:

- 5/8"
- 7/8"
- 1 1/8"
- 1 1/2"
- 2 1/4"

Available with:

- Full Divided Light
- Simulated Divided Light



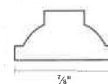
Exterior Aluminum:
Chamfer

Widths:

- 5/8"
- 7/8"
- 1 1/8"
- 1 1/2"
- 2 1/4"

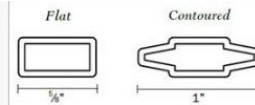
Available with:

- Full Divided Light
- Simulated Divided Light
- Removable Interior Wood with Optional Permanently Applied Exterior Grille



Removable Interior Wood Grilles

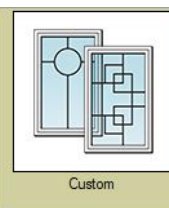
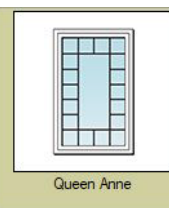
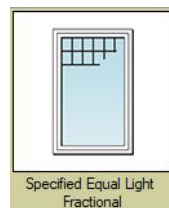
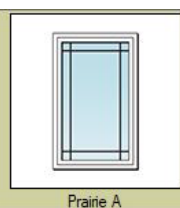
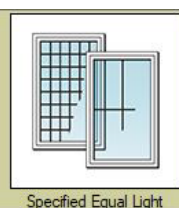
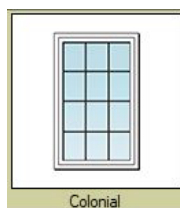
Ovolo profile in 7/8" width



Finelight Grille Profiles and Widths

Flat or Contoured profiles in 5/8" or 1" widths

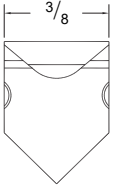
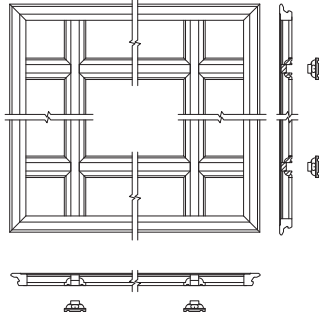
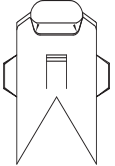
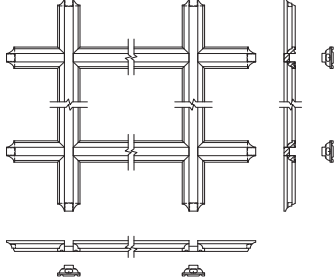
Patterns



E-Series Vintage Push Out Awning Windows (2005 to 2011)

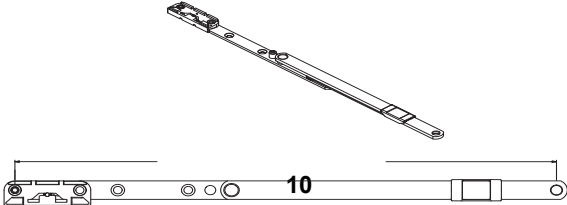
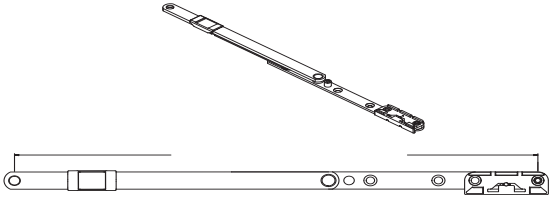
Standard Windows

Grilles

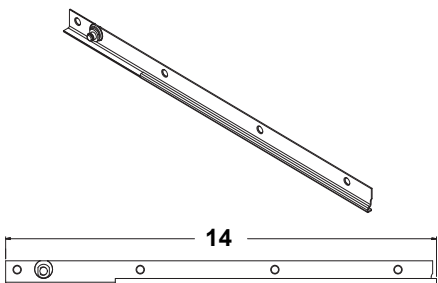
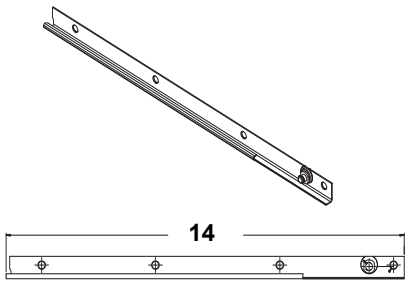
Interior Grille Parts				
Clip - Surround				
Note: Used with framed removable grilles.				
		<table border="1" style="width: 100%; border-collapse: collapse;"> <tr> <th style="text-align: left; padding: 5px;">Order No.</th> </tr> <tr> <td style="padding: 5px;">0004900</td> </tr> </table>	Order No.	0004900
Order No.				
0004900				
Clip - Knocked Down				
Note: Used with knocked down removable grilles.				
		<table border="1" style="width: 100%; border-collapse: collapse;"> <tr> <th style="text-align: left; padding: 5px;">Order No.</th> </tr> <tr> <td style="padding: 5px;">0004901</td> </tr> </table>	Order No.	0004901
Order No.				
0004901				

Hardware

Hardware

Hinge Components				
Hinge Arm - Stainless Steel				
Note: Secures to sash.				
				
LH		RH		
	Size	Frame Height	Standard	
			Left	Right
	14"	<20"	0011222	0011223
	18"	>=20" <=37.5"	0014051	0014052
	22"	<37.5"	0014055	0014056

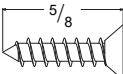
Screw / Hinge Arm		
Note: Also used to secure hinge arm. #6 screw used with hardwoods, #7 screw used with pine.		
	Description	Order No.
	#7 X 1 1/4 PFHSMS Type AB 18-8 SS	0027959
	#6 X 1 1/4 PFHSMS Teks SS 410	9105801

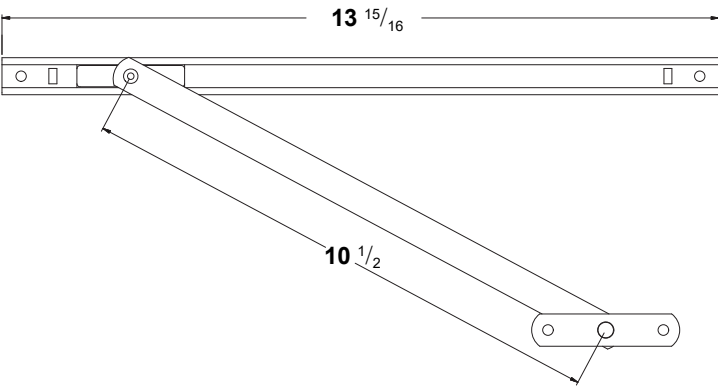
Hinge Track - Stainless Steel 14"				
Note: Secures to side jambs.				
				
LH		RH		
	Size	Frame Height	Order No.	
			Left	Right
	14"	<20"	0011224	0011225
	18"	>=20" <=37.5"	0014053	0014054
	22"	<37.5"	0014057	0014058

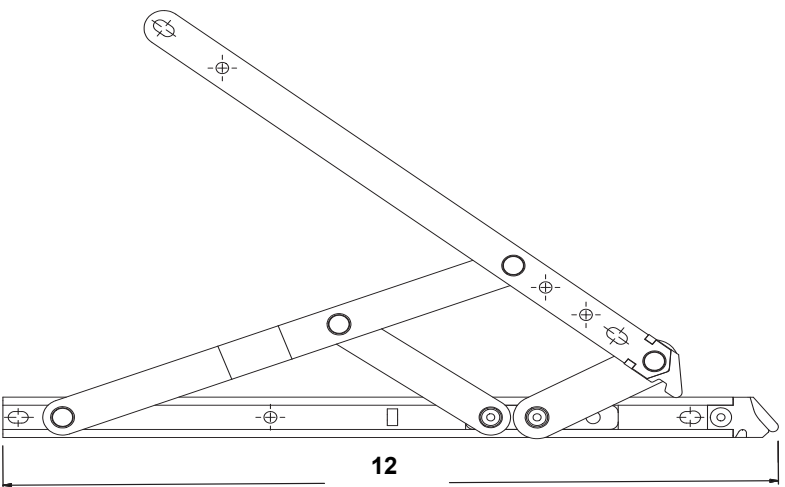
E-Series Vintage Push Out Awning Windows (2005 to 2011)

Standard Windows

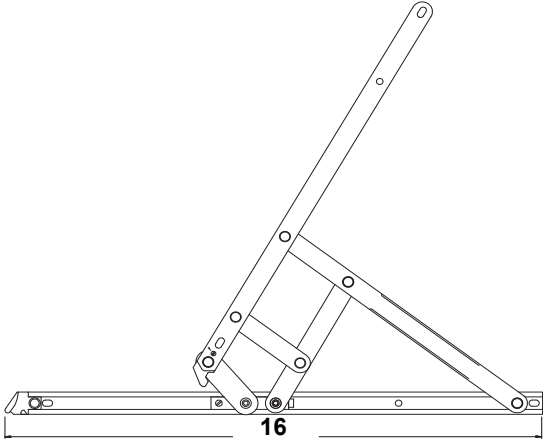
Hardware

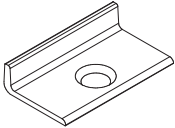
Screw / Hinge Track			
	Description	Finish	Order No.
	#8 x 1" PFHSMS Type AB Z & Y	Z & Y	0013396

Restrictor Arm - 14"			
<p>Note: Use with units that have a frame height greater than 36".</p>			
			
<table border="1"> <tr> <td>Order No.</td> </tr> <tr> <td>0011481</td> </tr> </table>		Order No.	0011481
Order No.			
0011481			

Friction Hinge - 12"			
<p>Note:</p>			
			
<table border="1"> <tr> <td>Order No.</td> </tr> <tr> <td>0227919</td> </tr> </table>		Order No.	0227919
Order No.			
0227919			

Hardware

Friction Hinge - 16"	
Note:	
	
	Order No. 0227920

Hinge Stop / 14" Friction Hinge			
Note:			
Use with unit heights $\geq 20"$ and $< 36"$. Specify height dimension.			
		Finish	Order No.
		Aluminum	By description

E-Series Vintage Push Out Awning Windows (2005 to 2011)

Standard Windows

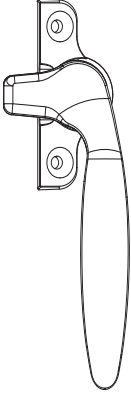
Hardware

Handles

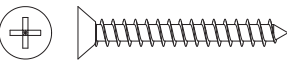
Handle / Lock

Note:

Standard LH handle shown used on units with one handle. Two handles (RH and LH) used on units $\geq 40"$. Security handle includes magnet.

		Finish	LH	RH
		Black	0015978	0015979
		White	0015982	0015983
		Antique Brass	0017140	0017141
		Brass	0017142	0017143
		Satin Chrome	0017144	0017145
		Oil Rubbed Bronze	0017138	0017139

Screw / Screw / Handle

	Description	Finish	Order No.
	#8 x 1 1/4" FHSMS Type AB	White	0020521
		Antique Brass	0020515
		Brass	0020516
		Satin Chrome	0020517
		Oil Rubbed Bronze	0020518

Hardware

Locks and Lock Components

Lock Strike			
		Finish	Order No.
		Black	0015984
Brass	0017136		
White	0015986		
Antique Brass	0017135		
Satin Chrome	0017137		
Oil Rubbed Bronze	0017134		

Screw / Lock Strike			
	Description	Finish	Order No.
		#8 X 1 1/4 FHSMS Type AB	Black
Brass			0020516
White			0020521
Antique Brass			0020515
Satin Chrome			0020517

E-Series Vintage Push Out Awning Windows (2005 to 2011)

Standard Windows

Hardware

Optional Hardware

Frames

Frames

Frame Graphic - Side Jamb

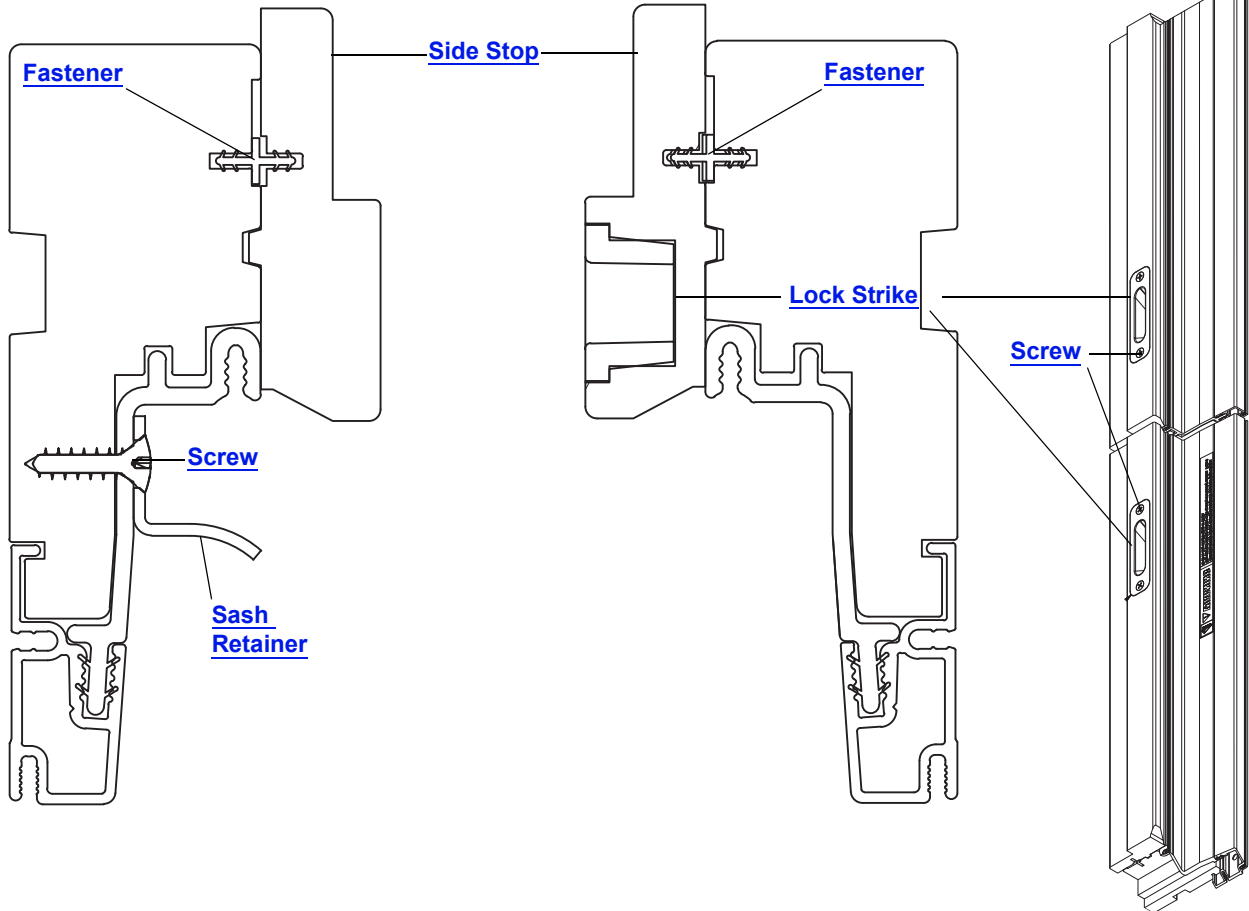
Note:

Standard Push Out Awning unit shown. See additional [Awning types](#).

E-Series Vintage Push Out Awning Windows (2005 to 2011)

Standard Windows

Frames



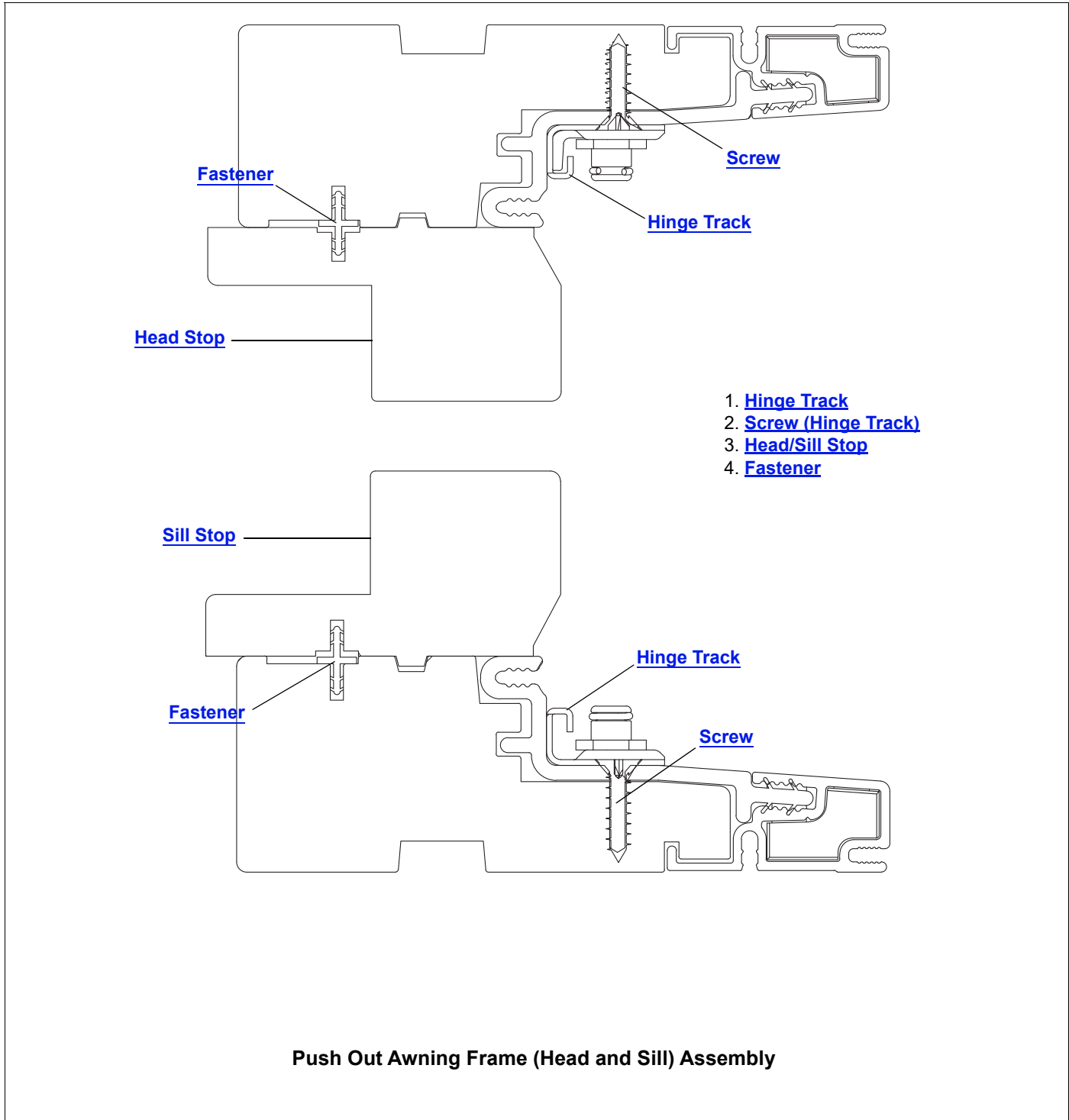
1. [Lock Strike](#)
2. [Screw \(Lock Strike\)](#)
3. [Side Stop](#)
4. [Sash Retainer](#)
5. [Screw \(Sash Retainer\)](#)
6. [Fastener](#)

Push Out Awning Frame (Side Jambs) Assembly

Frame Graphic - Head Jamb and Sill

Note:
See latest [details](#).

Frames



Push Out Awning Frame (Head and Sill) Assembly

Frame

E-Series Vintage Push Out Awning Windows (2005 to 2011)

Standard Windows

Frames

Note:

Replacement frames ship with hardware.

To order, state:

Product ID (from product label, see [Service Guide 9051877](#))

OR

1. Description of Part/Size (APOAX XXXX or frame W X H dimensions)
2. Colors/Species/Finish
3. Manufacturing Date

Exterior color/finish options	Interior species/finish/color options																																																																																																																																					
<div style="text-align: center; margin-bottom: 10px;"> </div> <table style="width: 100%; text-align: center; font-size: 8px;"> <tr> <td></td><td></td><td></td><td></td><td></td><td></td><td></td> </tr> <tr> <td>ACORN</td><td>COFFEE BEAN</td><td>COCOA BEAN</td><td>SERVA BRONZE</td><td>DARK BRONZE</td><td>CLAY CANYON</td><td>RED ROCK</td> </tr> <tr> <td>CARDINAL</td><td>BIRCH CHERRY</td><td>FIRE ENGINE RED</td><td>CINNAMON TOAST</td><td>OLIVE</td><td>SAGE</td><td>BILLIARD GREEN</td> </tr> <tr> <td>MOSS</td><td>FOREST GREEN</td><td>MALLARD GREEN</td><td>SPERMINT</td><td>AQUAMARINE</td><td>PERNA</td><td>SKY BLUE</td> </tr> <tr> <td>COUNTRY BLUE</td><td>BLUE DENIM</td><td>WATERCOLOR BLUE</td><td>CARIBBEAN BLUE</td><td>SLATE</td><td>MOODY BLUE</td><td>TORRENT BLUE</td> </tr> <tr> <td>DOVE GRAY</td><td>HARBOR MIST</td><td>YORKTOWN PEWTER</td><td>SMOKEY GRAY</td><td>MYSTIC GRAY</td><td>DARK ASH</td><td>BLACK</td> </tr> </table> <div style="text-align: center; margin-top: 10px;"> <p>ANNODIZED FINISHES</p> <table style="width: 100%; text-align: center; font-size: 8px;"> <tr> <td></td><td></td><td></td> </tr> <tr> <td>BLACK</td><td>DARK BRONZE</td><td>COPPER</td> </tr> <tr> <td></td><td></td><td></td> </tr> <tr> <td>MEDIUM BRONZE</td><td>LIGHT BRONZE</td><td>CHAMPAGNE</td> </tr> <tr> <td></td> <td colspan="2">CLEAR ANNODIZED</td> </tr> </table> </div>								ACORN	COFFEE BEAN	COCOA BEAN	SERVA BRONZE	DARK BRONZE	CLAY CANYON	RED ROCK	CARDINAL	BIRCH CHERRY	FIRE ENGINE RED	CINNAMON TOAST	OLIVE	SAGE	BILLIARD GREEN	MOSS	FOREST GREEN	MALLARD GREEN	SPERMINT	AQUAMARINE	PERNA	SKY BLUE	COUNTRY BLUE	BLUE DENIM	WATERCOLOR BLUE	CARIBBEAN BLUE	SLATE	MOODY BLUE	TORRENT BLUE	DOVE GRAY	HARBOR MIST	YORKTOWN PEWTER	SMOKEY GRAY	MYSTIC GRAY	DARK ASH	BLACK				BLACK	DARK BRONZE	COPPER				MEDIUM BRONZE	LIGHT BRONZE	CHAMPAGNE		CLEAR ANNODIZED		<table style="width: 100%;"> <tr> <td style="width: 50%; vertical-align: top;"> <p>WOOD SPECIES</p> <table style="width: 100%; text-align: center; font-size: 8px;"> <tr> <td></td><td></td><td></td> </tr> <tr> <td>Pine</td><td>Maple</td><td>Oak</td> </tr> <tr> <td></td><td></td><td></td> </tr> <tr> <td>Cherry</td><td>Mahogany</td><td>Alder</td> </tr> <tr> <td></td><td></td><td></td> </tr> <tr> <td>Mixed Grain Douglas Fir</td><td>Vertical Grain Douglas Fir</td><td>Hickory</td> </tr> <tr> <td></td><td></td><td></td> </tr> <tr> <td>Walnut</td><td>White Oak</td><td></td> </tr> </table> </td> <td style="width: 50%; vertical-align: top;"> <p>FACTORY-FINISHED INTERIORS</p> <table style="width: 100%; text-align: center; font-size: 8px;"> <tr> <td></td><td></td><td></td> </tr> <tr> <td>Clear Coat</td><td>Wheat</td><td>Autumn Oak</td> </tr> <tr> <td></td><td></td><td></td> </tr> <tr> <td>Golden Hickory</td><td>Honey</td><td>Cinnamon</td> </tr> <tr> <td></td><td></td><td></td> </tr> <tr> <td>Russet</td><td>Mocha</td><td>Espresso</td> </tr> </table> </td> </tr> <tr> <td colspan="2" style="text-align: center; margin-top: 10px;"> <p>PAINTED OPTIONS</p> <table style="width: 100%; text-align: center; font-size: 8px;"> <tr> <td></td><td></td><td></td> </tr> <tr> <td>White</td><td>Birch Bark</td><td>Primed (for paint)</td> </tr> <tr> <td></td><td></td><td></td> </tr> <tr> <td>Canvas</td><td>Sandtone</td><td>Terratone</td> </tr> <tr> <td></td><td></td><td></td> </tr> <tr> <td>Forest Green</td><td>Dark Bronze</td><td>Dove Gray</td> </tr> <tr> <td></td><td></td><td></td> </tr> <tr> <td>Prairie Grass</td><td>Red Rock</td><td>Cocoa Bean</td> </tr> <tr> <td></td><td colspan="2">Painted options available with pine and maple only.</td> </tr> <tr> <td>Black</td><td colspan="2"></td> </tr> </table> </td> </tr> </table>	<p>WOOD SPECIES</p> <table style="width: 100%; text-align: center; font-size: 8px;"> <tr> <td></td><td></td><td></td> </tr> <tr> <td>Pine</td><td>Maple</td><td>Oak</td> </tr> <tr> <td></td><td></td><td></td> </tr> <tr> <td>Cherry</td><td>Mahogany</td><td>Alder</td> </tr> <tr> <td></td><td></td><td></td> </tr> <tr> <td>Mixed Grain Douglas Fir</td><td>Vertical Grain Douglas Fir</td><td>Hickory</td> </tr> <tr> <td></td><td></td><td></td> </tr> <tr> <td>Walnut</td><td>White Oak</td><td></td> </tr> </table>				Pine	Maple	Oak				Cherry	Mahogany	Alder				Mixed Grain Douglas Fir	Vertical Grain Douglas Fir	Hickory				Walnut	White Oak		<p>FACTORY-FINISHED INTERIORS</p> <table style="width: 100%; text-align: center; font-size: 8px;"> <tr> <td></td><td></td><td></td> </tr> <tr> <td>Clear Coat</td><td>Wheat</td><td>Autumn Oak</td> </tr> <tr> <td></td><td></td><td></td> </tr> <tr> <td>Golden Hickory</td><td>Honey</td><td>Cinnamon</td> </tr> <tr> <td></td><td></td><td></td> </tr> <tr> <td>Russet</td><td>Mocha</td><td>Espresso</td> </tr> </table>				Clear Coat	Wheat	Autumn Oak				Golden Hickory	Honey	Cinnamon				Russet	Mocha	Espresso	<p>PAINTED OPTIONS</p> <table style="width: 100%; text-align: center; font-size: 8px;"> <tr> <td></td><td></td><td></td> </tr> <tr> <td>White</td><td>Birch Bark</td><td>Primed (for paint)</td> </tr> <tr> <td></td><td></td><td></td> </tr> <tr> <td>Canvas</td><td>Sandtone</td><td>Terratone</td> </tr> <tr> <td></td><td></td><td></td> </tr> <tr> <td>Forest Green</td><td>Dark Bronze</td><td>Dove Gray</td> </tr> <tr> <td></td><td></td><td></td> </tr> <tr> <td>Prairie Grass</td><td>Red Rock</td><td>Cocoa Bean</td> </tr> <tr> <td></td><td colspan="2">Painted options available with pine and maple only.</td> </tr> <tr> <td>Black</td><td colspan="2"></td> </tr> </table>					White	Birch Bark	Primed (for paint)				Canvas	Sandtone	Terratone				Forest Green	Dark Bronze	Dove Gray				Prairie Grass	Red Rock	Cocoa Bean		Painted options available with pine and maple only.		Black		
ACORN	COFFEE BEAN	COCOA BEAN	SERVA BRONZE	DARK BRONZE	CLAY CANYON	RED ROCK																																																																																																																																
CARDINAL	BIRCH CHERRY	FIRE ENGINE RED	CINNAMON TOAST	OLIVE	SAGE	BILLIARD GREEN																																																																																																																																
MOSS	FOREST GREEN	MALLARD GREEN	SPERMINT	AQUAMARINE	PERNA	SKY BLUE																																																																																																																																
COUNTRY BLUE	BLUE DENIM	WATERCOLOR BLUE	CARIBBEAN BLUE	SLATE	MOODY BLUE	TORRENT BLUE																																																																																																																																
DOVE GRAY	HARBOR MIST	YORKTOWN PEWTER	SMOKEY GRAY	MYSTIC GRAY	DARK ASH	BLACK																																																																																																																																
BLACK	DARK BRONZE	COPPER																																																																																																																																				
MEDIUM BRONZE	LIGHT BRONZE	CHAMPAGNE																																																																																																																																				
	CLEAR ANNODIZED																																																																																																																																					
<p>WOOD SPECIES</p> <table style="width: 100%; text-align: center; font-size: 8px;"> <tr> <td></td><td></td><td></td> </tr> <tr> <td>Pine</td><td>Maple</td><td>Oak</td> </tr> <tr> <td></td><td></td><td></td> </tr> <tr> <td>Cherry</td><td>Mahogany</td><td>Alder</td> </tr> <tr> <td></td><td></td><td></td> </tr> <tr> <td>Mixed Grain Douglas Fir</td><td>Vertical Grain Douglas Fir</td><td>Hickory</td> </tr> <tr> <td></td><td></td><td></td> </tr> <tr> <td>Walnut</td><td>White Oak</td><td></td> </tr> </table>				Pine	Maple	Oak				Cherry	Mahogany	Alder				Mixed Grain Douglas Fir	Vertical Grain Douglas Fir	Hickory				Walnut	White Oak		<p>FACTORY-FINISHED INTERIORS</p> <table style="width: 100%; text-align: center; font-size: 8px;"> <tr> <td></td><td></td><td></td> </tr> <tr> <td>Clear Coat</td><td>Wheat</td><td>Autumn Oak</td> </tr> <tr> <td></td><td></td><td></td> </tr> <tr> <td>Golden Hickory</td><td>Honey</td><td>Cinnamon</td> </tr> <tr> <td></td><td></td><td></td> </tr> <tr> <td>Russet</td><td>Mocha</td><td>Espresso</td> </tr> </table>				Clear Coat	Wheat	Autumn Oak				Golden Hickory	Honey	Cinnamon				Russet	Mocha	Espresso																																																																																											
Pine	Maple	Oak																																																																																																																																				
Cherry	Mahogany	Alder																																																																																																																																				
Mixed Grain Douglas Fir	Vertical Grain Douglas Fir	Hickory																																																																																																																																				
Walnut	White Oak																																																																																																																																					
Clear Coat	Wheat	Autumn Oak																																																																																																																																				
Golden Hickory	Honey	Cinnamon																																																																																																																																				
Russet	Mocha	Espresso																																																																																																																																				
<p>PAINTED OPTIONS</p> <table style="width: 100%; text-align: center; font-size: 8px;"> <tr> <td></td><td></td><td></td> </tr> <tr> <td>White</td><td>Birch Bark</td><td>Primed (for paint)</td> </tr> <tr> <td></td><td></td><td></td> </tr> <tr> <td>Canvas</td><td>Sandtone</td><td>Terratone</td> </tr> <tr> <td></td><td></td><td></td> </tr> <tr> <td>Forest Green</td><td>Dark Bronze</td><td>Dove Gray</td> </tr> <tr> <td></td><td></td><td></td> </tr> <tr> <td>Prairie Grass</td><td>Red Rock</td><td>Cocoa Bean</td> </tr> <tr> <td></td><td colspan="2">Painted options available with pine and maple only.</td> </tr> <tr> <td>Black</td><td colspan="2"></td> </tr> </table>					White	Birch Bark	Primed (for paint)				Canvas	Sandtone	Terratone				Forest Green	Dark Bronze	Dove Gray				Prairie Grass	Red Rock	Cocoa Bean		Painted options available with pine and maple only.		Black																																																																																																									
White	Birch Bark	Primed (for paint)																																																																																																																																				
Canvas	Sandtone	Terratone																																																																																																																																				
Forest Green	Dark Bronze	Dove Gray																																																																																																																																				
Prairie Grass	Red Rock	Cocoa Bean																																																																																																																																				
	Painted options available with pine and maple only.																																																																																																																																					
Black																																																																																																																																						

Frames

Stops

Stops - Head / Sill / Side

Note:

Stops (head, sill and side) are made to order.

To order, state:

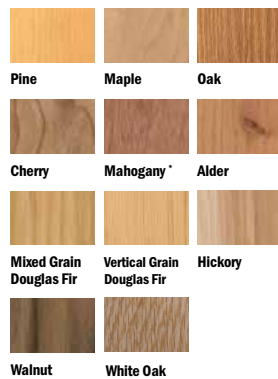
Product ID (from product label, see [Service Guide 9051877](#))

OR

1. Description of Part/Size (Stop)
2. Color/Species/Finish
3. Location/Handing (Head, Sill, Lock Jamb, Hinge Jamb, LH, RH)
4. Manufacturing Date

Interior species/finish/color options

WOOD SPECIES



FACTORY-FINISHED INTERIORS




PAINTED OPTIONS



E-Series Vintage Push Out Awning Windows (2005 to 2011)


Standard Windows

Frames

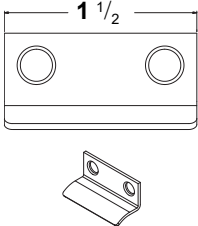
Weatherstrip			
Weatherstrip			
		Size	Order No.
		10 ft (120")	9103914
		25 ft (300")	9103915

Frames

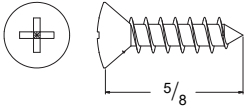
Frame Parts

Fastener		Size	Order No.
		3"	000CFS3
		6"	000CFS6
		34"	00CFS34
		55"	00CFS55
		96"	00CFS96

Sash Retainer

Sash Retainer		Finish	Order No.
		Unfinished	9105321

Screw / Sash Retainer

Screw / Sash Retainer		Finish	Order No.
	Description	Unfinished	0040120
	#8 X 5/8 POHSMS Type AB SS		