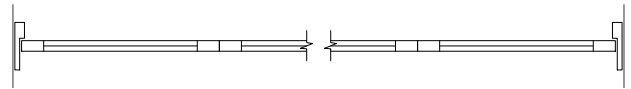
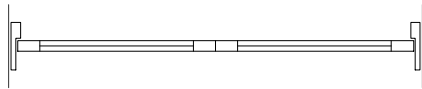
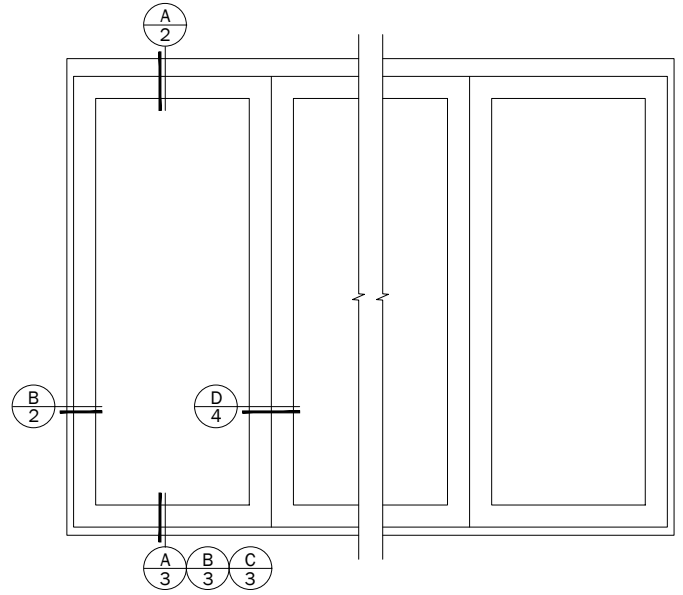
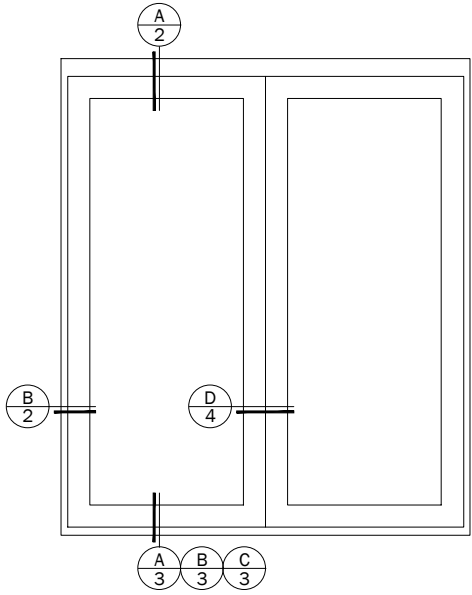


Big Doors

Folding Outswing Doors
Contemporary Panel



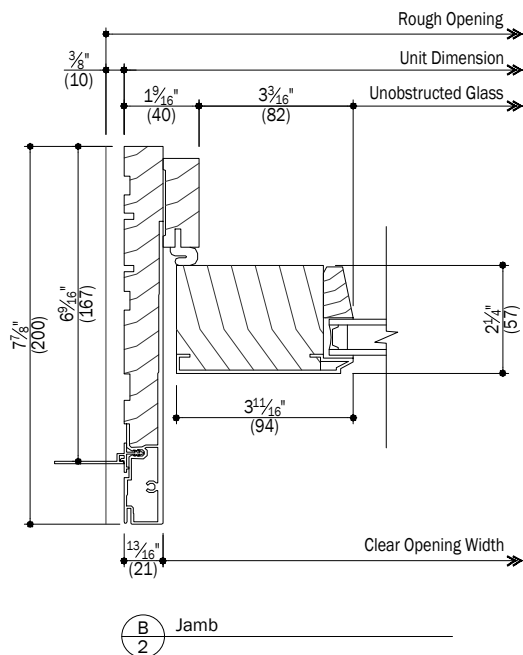
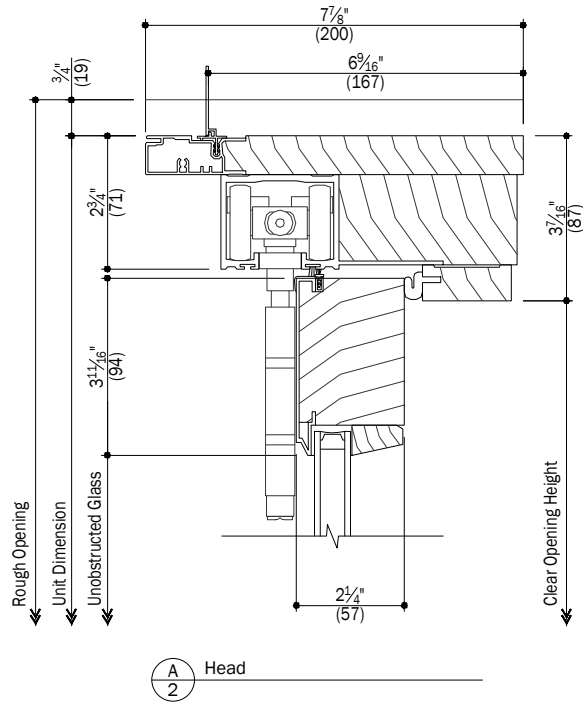
Notes:

Details have been optimized for use in architectural software and do not match manufacturing specifications. Dimensions in parentheses are in millimeters.

See Pages 5-9 for Accessories

Date: 10/15/18
Scale: None

Folding Outswing Doors Contemporary Panel



Notes:

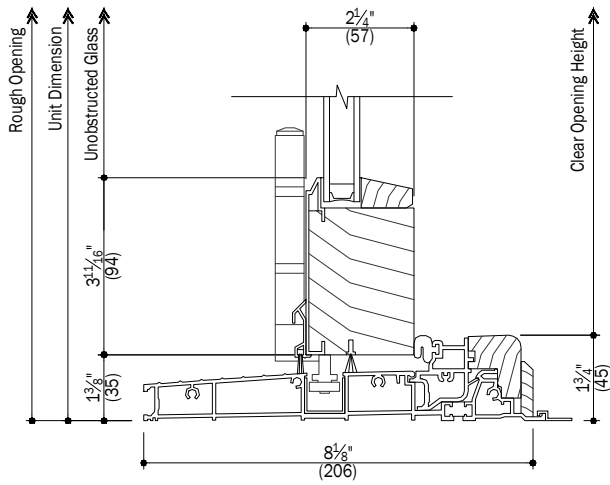
Details have been optimized for use in architectural software and do not match manufacturing specifications.
Dimensions in parentheses are in millimeters.

See Pages 5-9 for Accessories

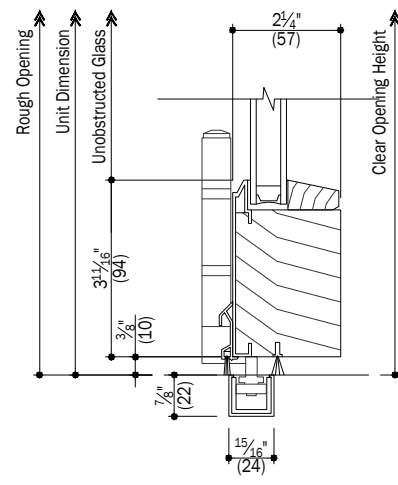
Date: 10/15/18
Scale: 3" (76) = 1' (305)

Big Doors

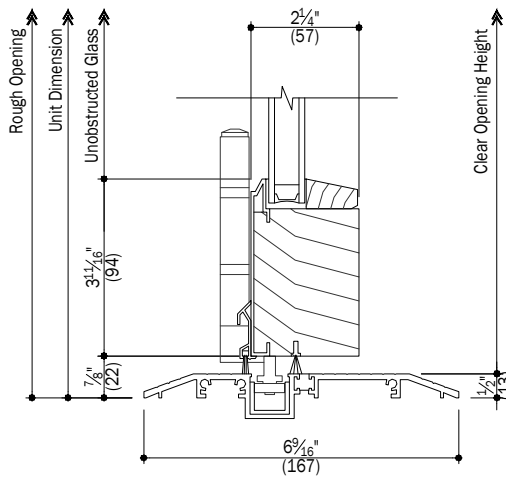
Folding Outswing Doors Contemporary Panel



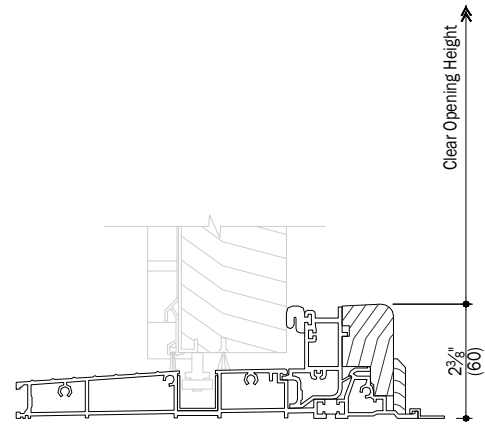
A Sill (4 1 1/16" Bottom Rail)
3 On-Floor Drainage



C Sill (4 1 1/16" Bottom Rail)
3 Flush



B Sill (4 1 1/16" Bottom Rail)
3 On-Floor Low-Threshold



D Optional High Performance Sill
3 On-Floor Drainage

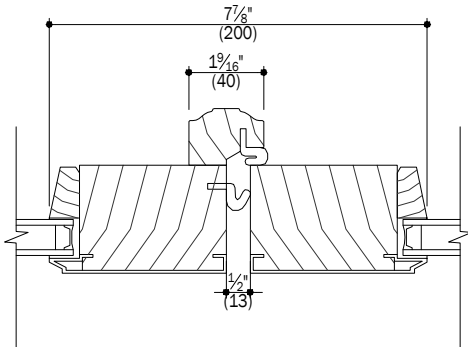
Notes:

Details have been optimized for use in architectural software and do not match manufacturing specifications. Dimensions in parentheses are in millimeters.

See Pages 5-9 for Accessories

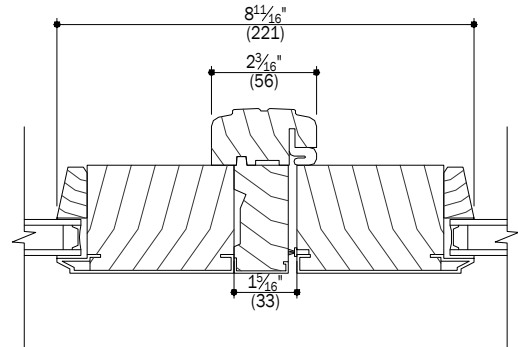
Big Doors

Folding Outswing Doors Contemporary Panel



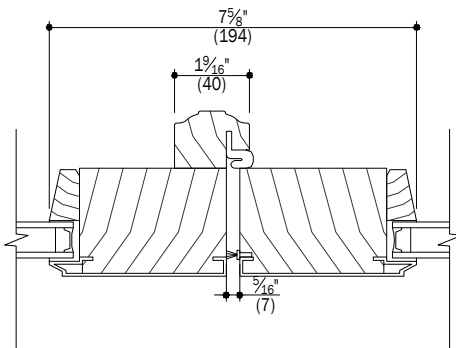
A
4 Astragal
Leading/Leading

Leading/Leading astragals are used for door configurations of even/even numbers of panels. Examples are 2L/2R, 4L/4R, etc.



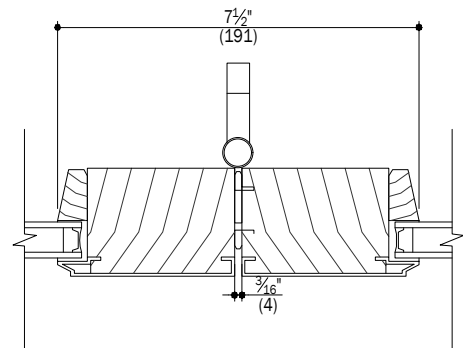
C
4 Astragal
Passive/Active

Leading/Active astragals are used for door configurations of even/odd numbers of panels. Examples are 4L/3R, 6L/5R, etc.



B
4 Astragal
Leading/Active

Passive/Active astragals are used for door configurations of odd/odd numbers of panels. Examples are 3L/3R, 5L/5R, etc.



D
4 Astragal
Hinge

Notes:

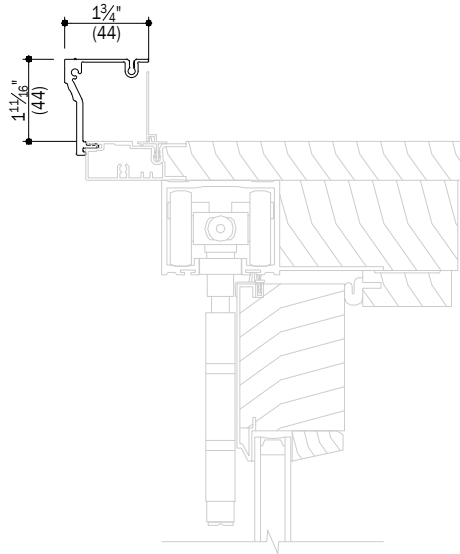
Details have been optimized for use in architectural software and do not match manufacturing specifications. Dimensions in parentheses are in millimeters.

See Pages 5-9 for Accessories

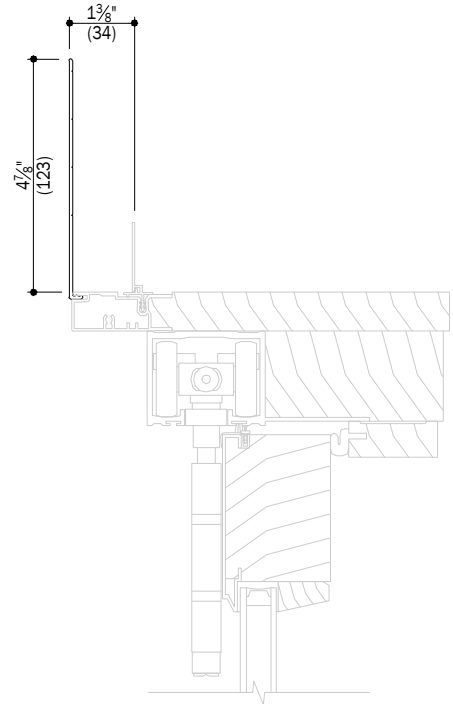
Date: 10/15/18
Scale: 3" (76) = 1' (305)

Big Doors

Folding Outswing Doors Contemporary Panel



A
5 2" Aluminum Clad Brickmould



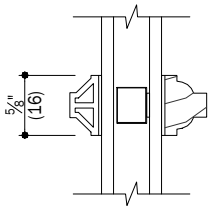
C
5 5" Aluminum Clad Frame Expander

Notes:

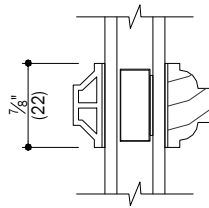
Details have been optimized for use in architectural software and do not match manufacturing specifications. Dimensions in parentheses are in millimeters.

Big Doors

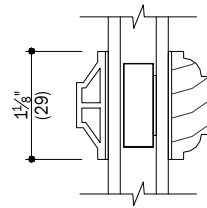
Folding Outswing Doors Contemporary Panel



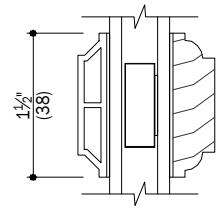
A
6
5/8" Int. Colonial, Ext. Chamfer
Full Divided Light



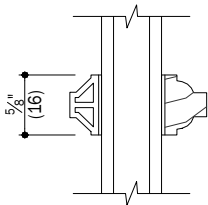
E
6
7/8" Int. Colonial, Ext. Chamfer
Full Divided Light



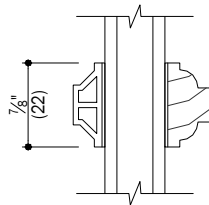
J
6
1 1/8" Int. Colonial, Ext. Chamfer
Full Divided Light



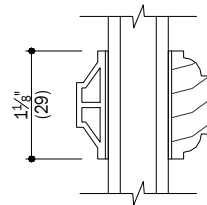
N
6
1 1/2" Int. Colonial, Ext. Chamfer
Full Divided Light



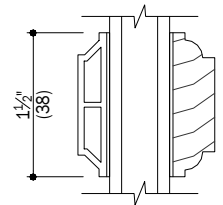
B
6
5/8" Int. Colonial, Ext. Chamfer
Simulated Divided Light
Available as exterior grille bar Only



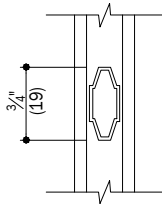
F
6
7/8" Int. Colonial, Ext. Chamfer
Simulated Divided Light
Available as exterior grille bar Only
Also available with removable interior



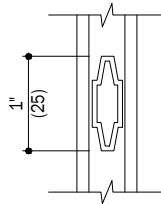
K
6
1 1/8" Int. Colonial, Ext. Chamfer
Simulated Divided Light
Available as exterior grille bar Only



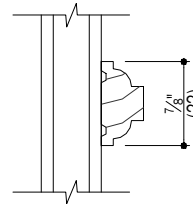
P
6
1 1/2" Int. Colonial, Ext. Chamfer
Simulated Divided Light
Available as exterior grille bar Only



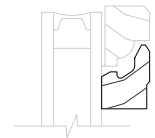
C
6
3/4" Finelight (Contoured)



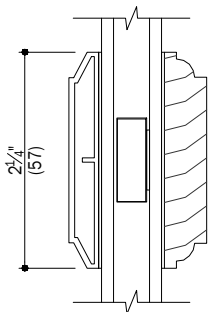
G
6
1" Finelight (Contoured)



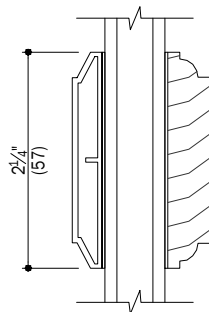
L
6
7/8" Colonial
Removable Interior Grille
For Both KD & Full Surround Grilles



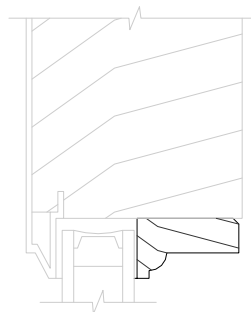
Q
6
Surround for Full Surround Grilles
Rectangle units only



D
6
2 1/4" Int. Colonial, Ext. Chamfer
Full Divided Light
Simulated check rail



H
6
2 1/4" Int. Colonial, Ext. Chamfer
Simulated Divided Light
Simulated check rail



M
6
Ovolo (Colonial) Interior Glazing Stop

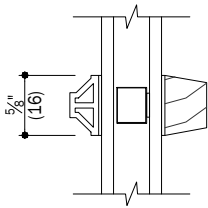
Notes:

Details have been optimized for use in architectural software and do not match manufacturing specifications. Dimensions in parentheses are in millimeters.

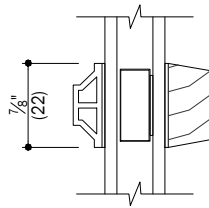
Date: 10/15/18
Scale: 3" (76) = 1' (305)

Big Doors

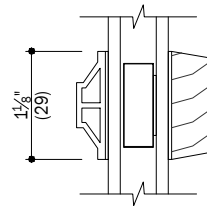
Folding Outswing Doors Contemporary Panel



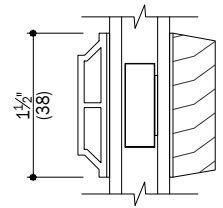
A
7
5/8" Int. Contemporary, Ext. Chamfer
Full Divided Light



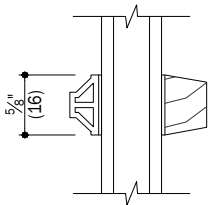
D
7
7/8" Int. Contemporary, Ext. Chamfer
Full Divided Light



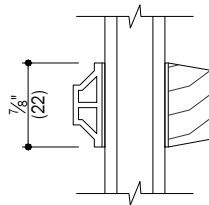
G
7
1 1/8" Int. Contemporary, Ext. Chamfer
Full Divided Light



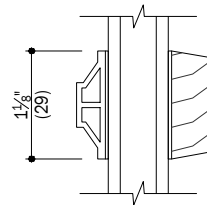
K
7
1 1/2" Int. Contemporary, Ext. Chamfer
Full Divided Light



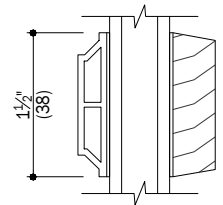
B
7
5/8" Int. Contemporary, Ext. Chamfer
Simulated Divided Light
Available as exterior grille bar Only



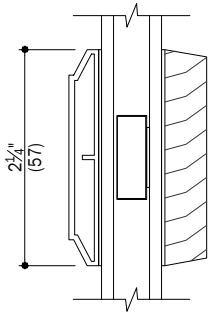
E
7
7/8" Int. Contemporary, Ext. Chamfer
Simulated Divided Light
Available as exterior grille bar Only



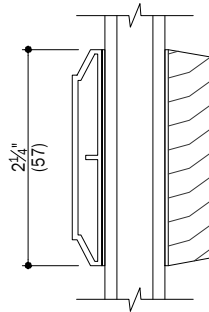
H
7
1 1/8" Int. Contemporary, Ext. Chamfer
Simulated Divided Light
Available as exterior grille bar Only



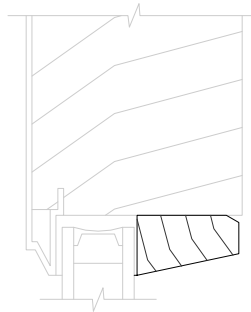
L
7
1 1/2" Int. Contemporary, Ext. Chamfer
Simulated Divided Light
Available as exterior grille bar Only



C
7
2 1/4" Int. Contemporary, Ext. Chamfer
Full Divided Light
Simulated check rail



F
7
2 1/4" Int. Contemporary, Ext. Chamfer
Simulated Divided Light
Simulated check rail



J
7
Contemporary Interior Glazing Stop

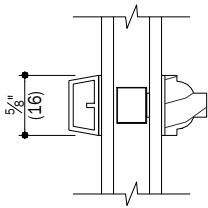
Notes:

Details have been optimized for use in architectural software and do not match manufacturing specifications. Dimensions in parentheses are in millimeters.

Date: 10/15/18
Scale: 3" (76) = 1' (305)

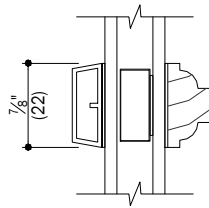
Big Doors

Folding Outswing Doors Contemporary Panel



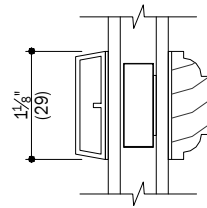
5/8" Int. Colonial, Ext. Contemporary
Full Divided Light

A
8



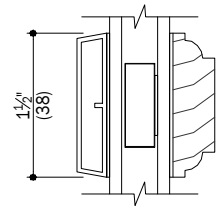
7/8" Int. Colonial, Ext. Contemporary
Full Divided Light

D
8



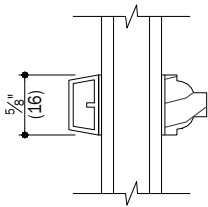
1 1/8" Int. Colonial, Ext. Contemporary
Full Divided Light

G
8



1 1/2" Int. Colonial, Ext. Contemporary
Full Divided Light

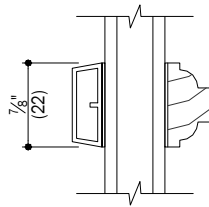
J
8



5/8" Int. Colonial, Ext. Contemporary
Simulated Divided Light

B
8

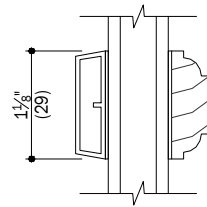
Available as exterior grille bar Only



7/8" Int. Colonial, Ext. Contemporary
Simulated Divided Light

E
8

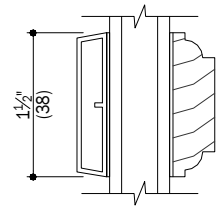
Available as exterior grille bar Only
Also available with removable interior



1 1/8" Int. Colonial, Ext. Contemporary
Simulated Divided Light

H
8

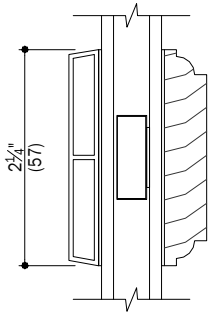
Available as exterior grille bar Only



1 1/2" Int. Colonial, Ext. Contemporary
Simulated Divided Light

K
8

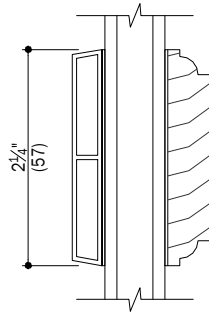
Available as exterior grille bar Only



2 1/4" Int. Colonial, Ext. Contemporary
Full Divided Light

C
8

Simulated check rail



2 1/4" Int. Colonial, Ext. Contemporary
Simulated Divided Light

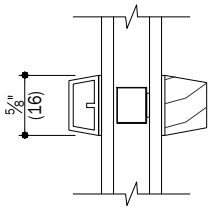
F
8

Simulated check rail

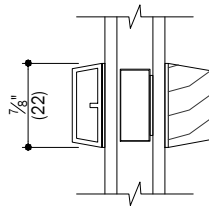
Notes:

Details have been optimized for use in architectural software and do not match manufacturing specifications.
Dimensions in parentheses are in millimeters.

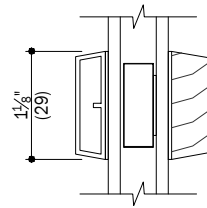
Date: 10/15/18
Scale: 3" (76) = 1' (305)



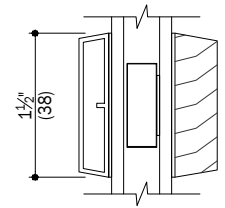
A
9 $\frac{5}{8}$ " Int. & Ext. Contemporary Full Divided Light



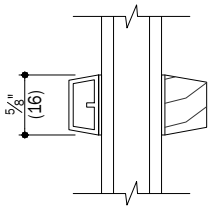
D
9 $\frac{7}{8}$ " Int. & Ext. Contemporary Full Divided Light



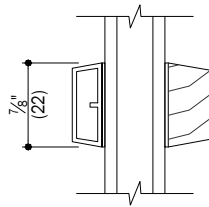
G
9 $1\frac{1}{8}$ " Int. & Ext. Contemporary Full Divided Light



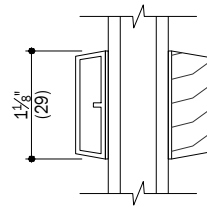
J
9 $1\frac{1}{2}$ " Int. & Ext. Contemporary Full Divided Light



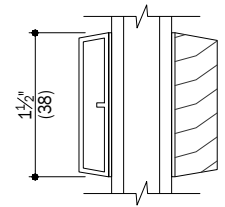
B
9 $\frac{5}{8}$ " Int. & Ext. Contemporary Simulated Divided Light
Available as exterior grille bar Only



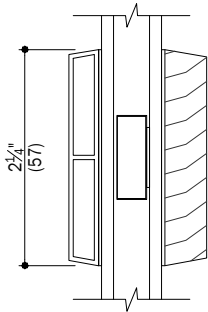
E
9 $\frac{7}{8}$ " Int. & Ext. Contemporary Simulated Divided Light
Available as exterior grille bar Only



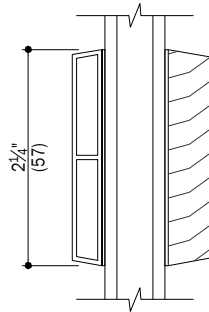
H
9 $1\frac{1}{8}$ " Int. & Ext. Contemporary Simulated Divided Light
Available as exterior grille bar Only



K
9 $1\frac{1}{2}$ " Int. & Ext. Contemporary Simulated Divided Light
Available as exterior grille bar Only



C
9 $2\frac{1}{4}$ " Int. & Ext. Contemporary Full Divided Light
Simulated check rail



F
9 $2\frac{1}{4}$ " Int. & Ext. Contemporary Simulated Divided Light
Simulated check rail

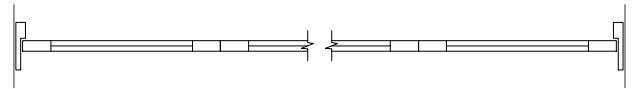
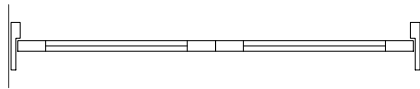
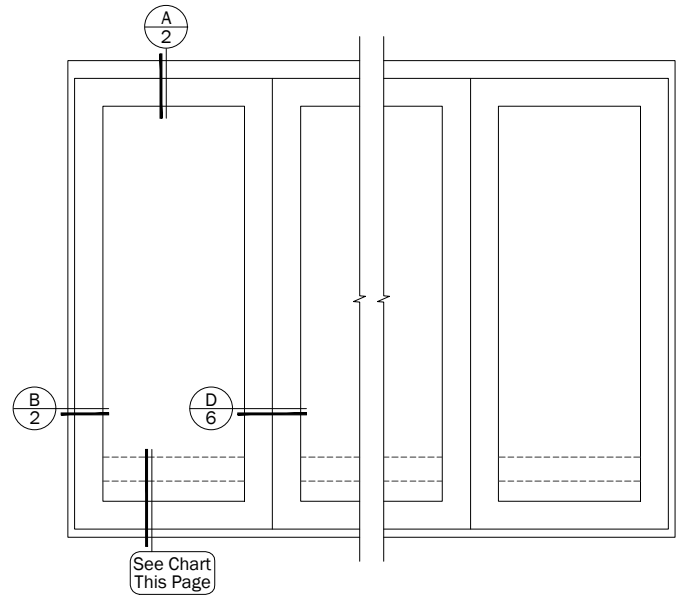
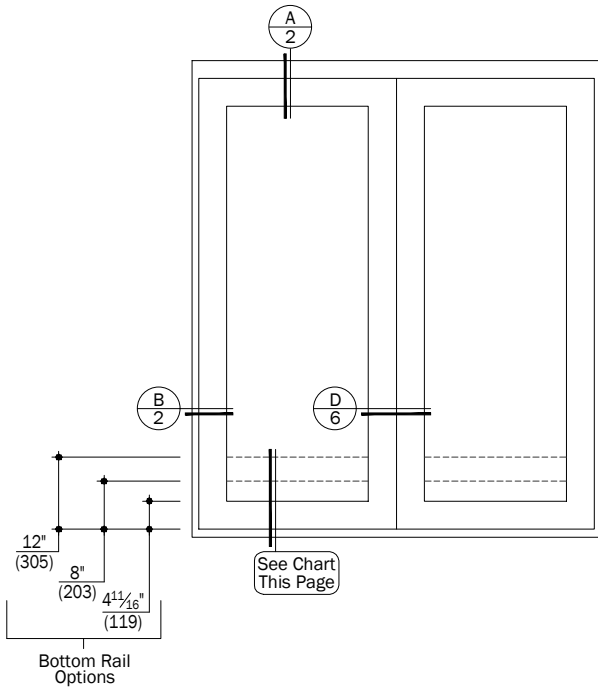
Notes:

Details have been optimized for use in architectural software and do not match manufacturing specifications. Dimensions in parentheses are in millimeters.

Date: 10/15/18
Scale: 3" (76) = 1' (305)

Big Doors

Folding Outswing Doors Traditional Panels



Sill Detail Chart			
Bottom Rail Options	On-Floor Drainage Sill	On-Floor Low Threshold	Flush Sill
4 ¹¹ / ₁₆ " (119)	See Detail A/3	See Detail A/4	See Detail A/5
8" (203)	See Detail B/3	See Detail B/4	See Detail B/5
12" (305)	See Detail C/3	See Detail C/4	See Detail C/5

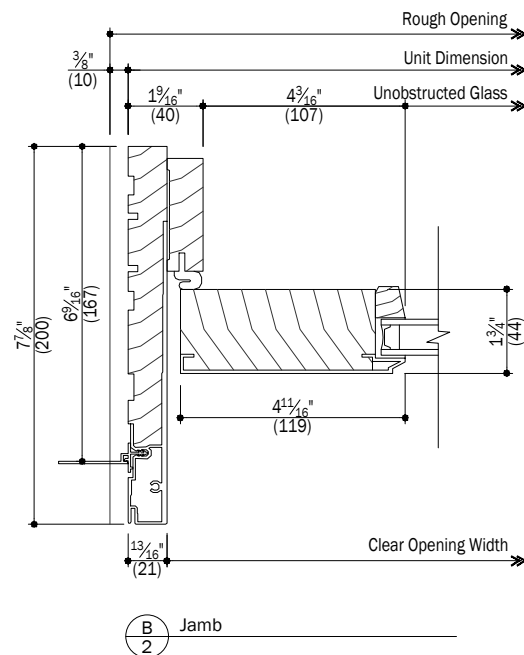
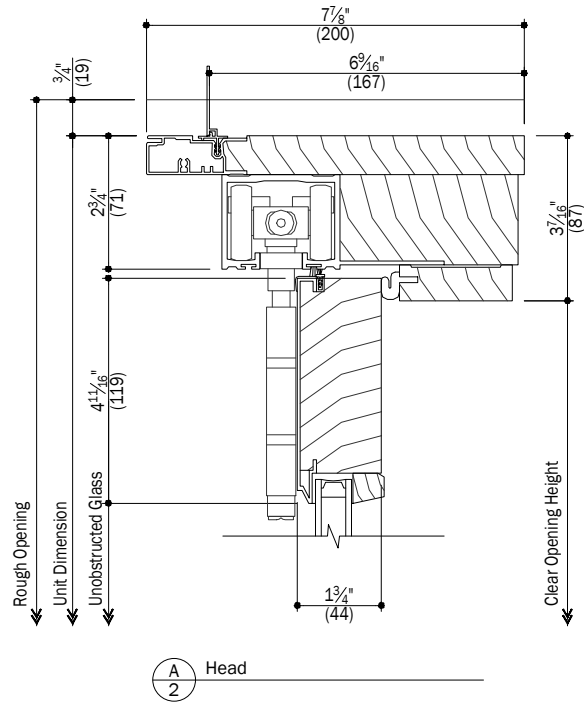
Notes:

Details have been optimized for use in architectural software and do not match manufacturing specifications. Dimensions in parentheses are in millimeters.

See Pages 7-11 for Accessories

Date: 10/15/18
Scale: None

Folding Outswing Doors Traditional Panels



Notes:

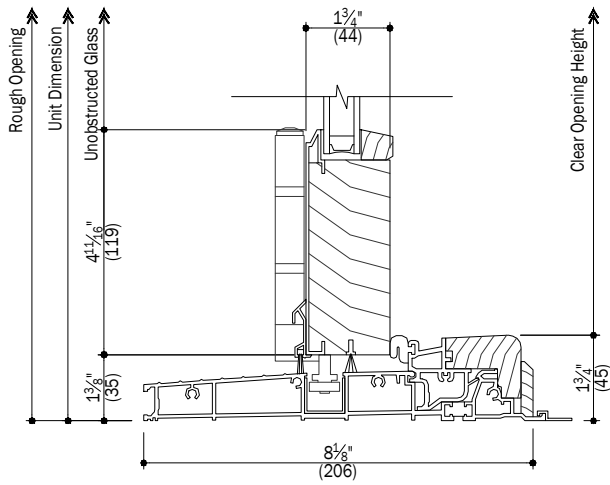
Details have been optimized for use in architectural software and do not match manufacturing specifications.
Dimensions in parentheses are in millimeters.

See Pages 7-11 for Accessories

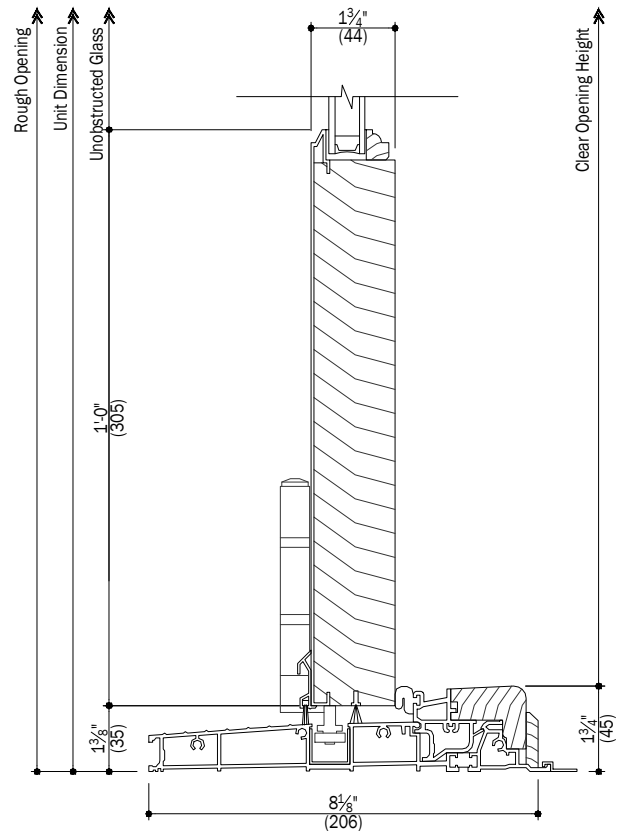
Date: 10/15/18
Scale: 3" (76) = 1' (305)

Big Doors

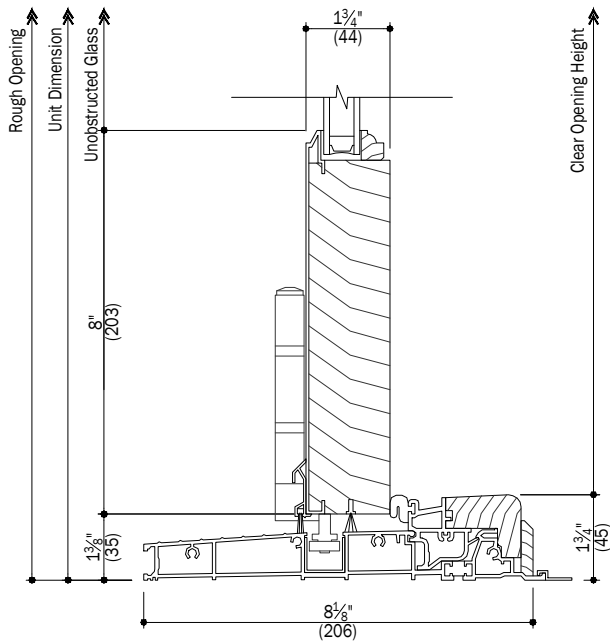
Folding Outswing Doors Traditional Panels



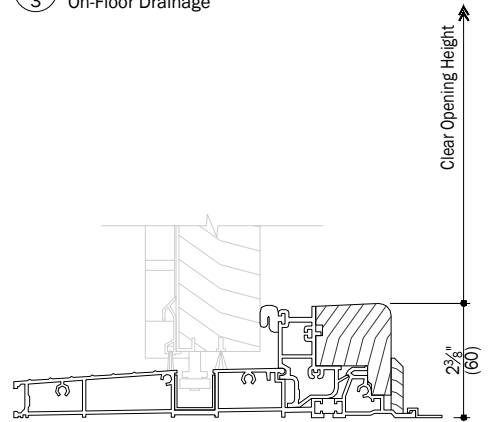
A Sill (4 1/16" Bottom Rail)
3 On-Floor Drainage



C Sill (12" Bottom Rail)
3 On-Floor Drainage



B Sill (8" Bottom Rail)
3 On-Floor Drainage



D Optional High Performance Sill
3 On-Floor Drainage

Notes:

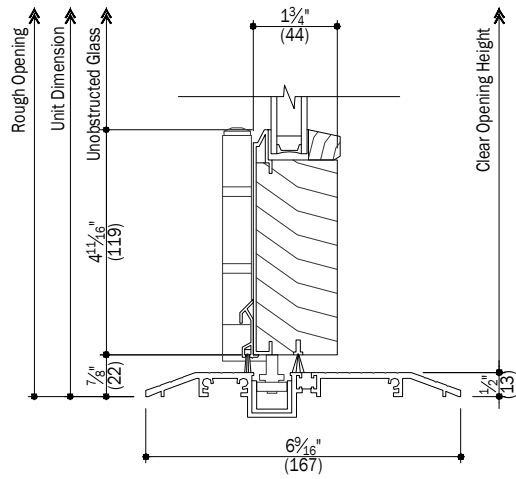
Details have been optimized for use in architectural software and do not match manufacturing specifications. Dimensions in parentheses are in millimeters.

See Pages 7-11 for Accessories

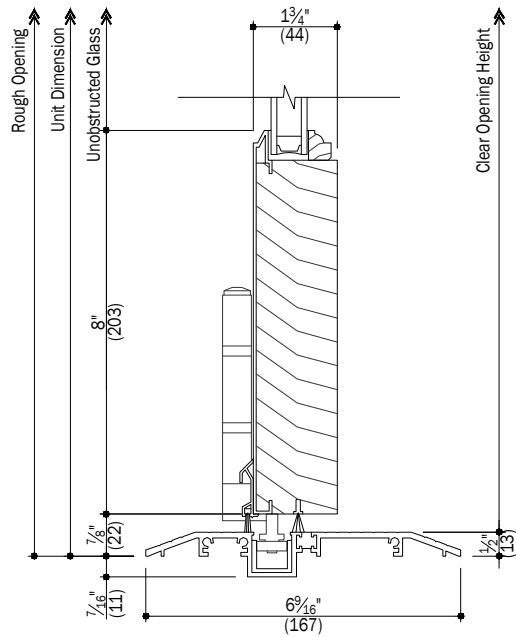
Date: 10/15/18
Scale: 3" (76) = 1' (305)

Big Doors

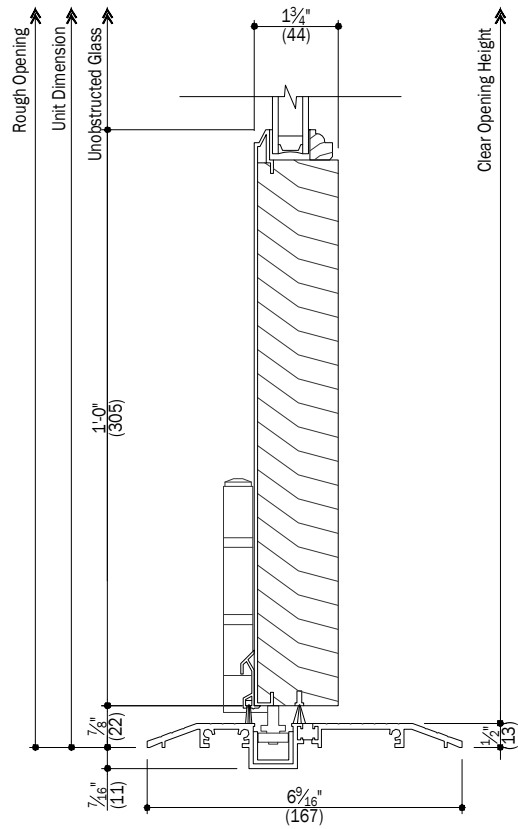
Folding Outswing Doors Traditional Panels



A Sill (4 1/4" Bottom Rail)
4 On-Floor Low-Threshold



B Sill (8" Bottom Rail)
4 On-Floor Low-Threshold



C Sill (12" Bottom Rail)
4 On-Floor Low-Threshold

Notes:

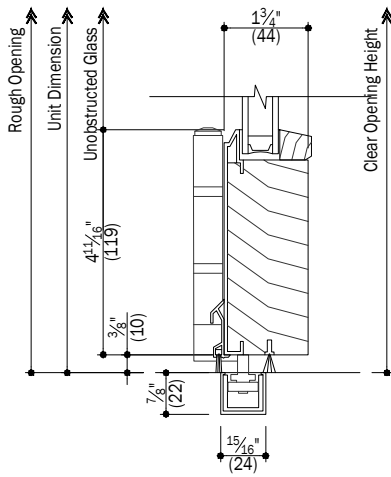
Details have been optimized for use in architectural software and do not match manufacturing specifications. Dimensions in parentheses are in millimeters.

See Pages 7-11 for Accessories

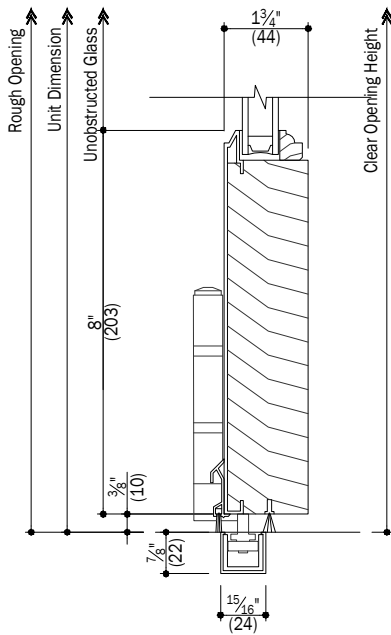
Date: 10/15/18
Scale: 3" (76) = 1' (305)

Big Doors

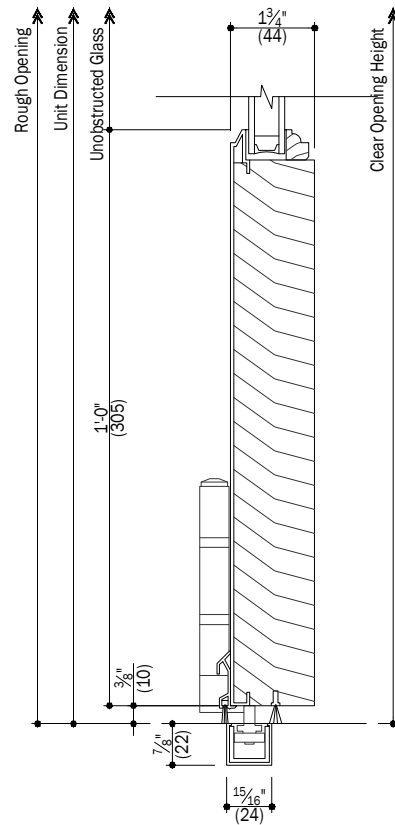
Folding Outswing Doors Traditional Panels



A
5 Sill (4 1/16" Bottom Rail)
Flush



B
5 Sill (8" Bottom Rail)
Flush



C
5 Sill (12" Bottom Rail)
Flush

Notes:

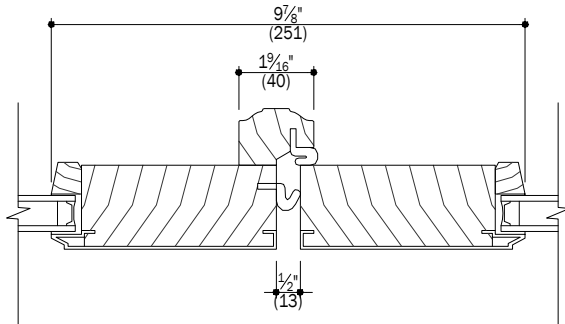
Details have been optimized for use in architectural software and do not match manufacturing specifications. Dimensions in parentheses are in millimeters.

See Pages 7-11 for Accessories

Date: 10/15/18
Scale: 3" (76) = 1' (305)

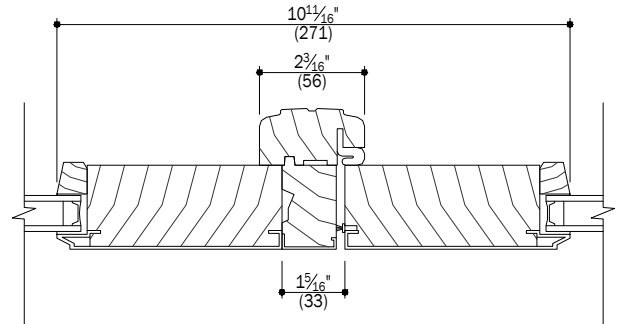
Big Doors

Folding Outswing Doors Traditional Panels



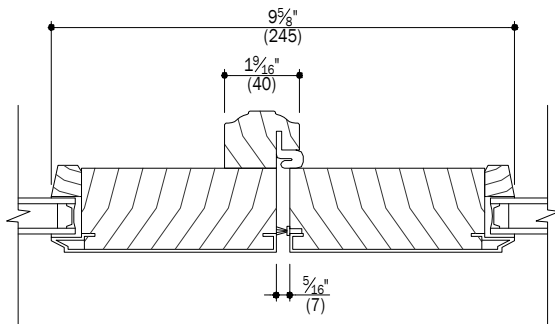
A
6 Astragal
Leading/Leading

Leading/Leading astragals are used for door configurations of even/even numbers of panels. Examples are 2L/2R, 4L/4R, etc.



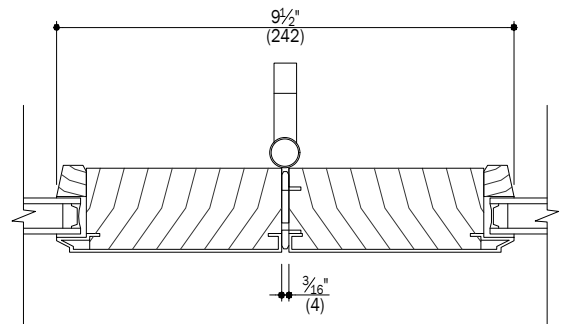
C
6 Astragal
Passive/Active

Leading/Active astragals are used for door configurations of even/odd numbers of panels. Examples are 4L/3R, 6L/5R, etc.



B
6 Astragal
Leading/Active

Passive/Active astragals are used for door configurations of odd/odd numbers of panels. Examples are 3L/3R, 5L/5R, etc.



D
6 Astragal
Hinge

Notes:

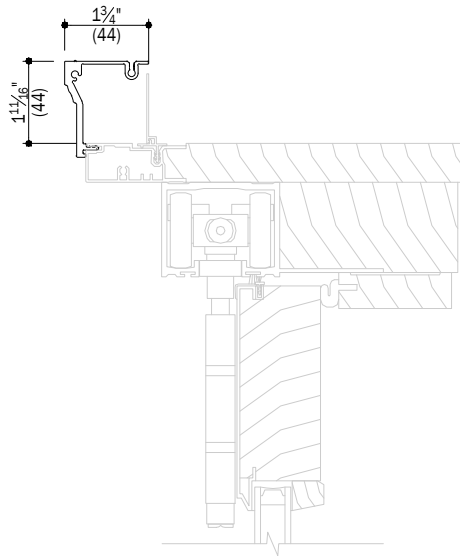
Details have been optimized for use in architectural software and do not match manufacturing specifications. Dimensions in parentheses are in millimeters.

See Pages 7-11 for Accessories

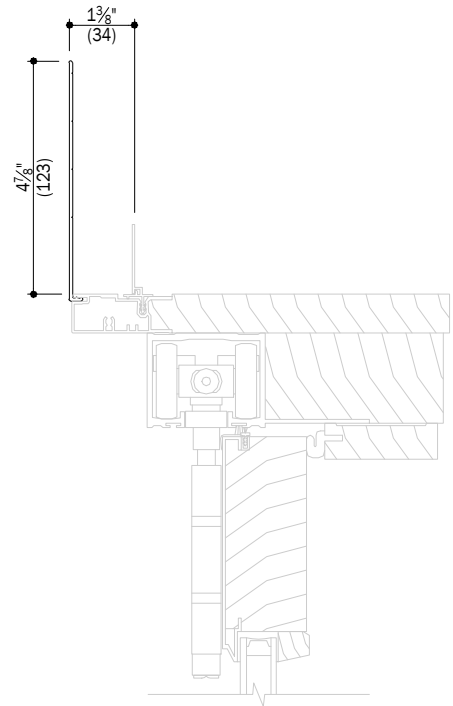
Date: 10/15/18
Scale: 3" (76) = 1' (305)

Big Doors

Folding Outswing Doors Traditional Panels



A
7 2" Aluminum Clad Brickmould



C
7 5" Aluminum Clad Frame Expander

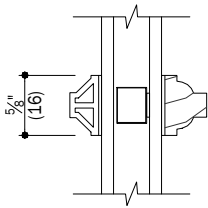
Notes:

Details have been optimized for use in architectural software and do not match manufacturing specifications. Dimensions in parentheses are in millimeters.

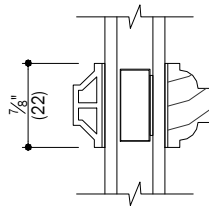
Date: 10/15/18
Scale: 3" (76) = 1' (305)

Big Doors

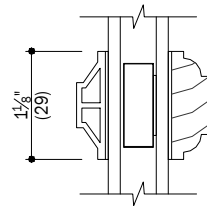
Folding Outswing Doors Traditional Panels



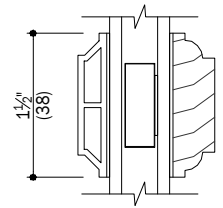
A
8
5/8" Int. Colonial, Ext. Chamfer
Full Divided Light



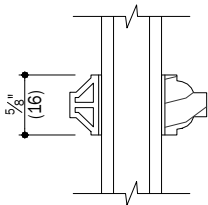
E
8
7/8" Int. Colonial, Ext. Chamfer
Full Divided Light



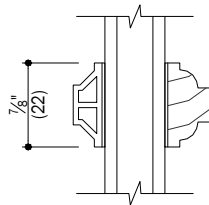
J
8
1 1/8" Int. Colonial, Ext. Chamfer
Full Divided Light



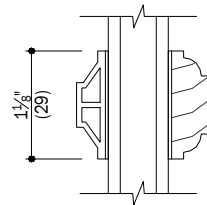
N
8
1 1/2" Int. Colonial, Ext. Chamfer
Full Divided Light



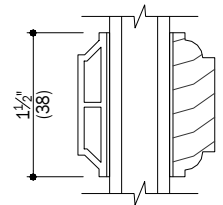
B
8
5/8" Int. Colonial, Ext. Chamfer
Simulated Divided Light
Available as exterior grille bar Only



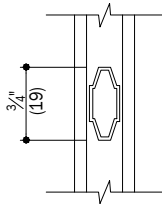
F
8
7/8" Int. Colonial, Ext. Chamfer
Simulated Divided Light
Available as exterior grille bar Only
Also available with removable interior



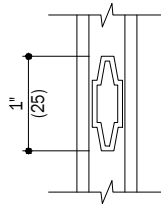
K
8
1 1/8" Int. Colonial, Ext. Chamfer
Simulated Divided Light
Available as exterior grille bar Only



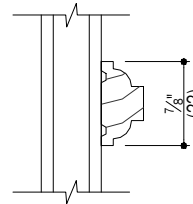
P
8
1 1/2" Int. Colonial, Ext. Chamfer
Simulated Divided Light
Available as exterior grille bar Only



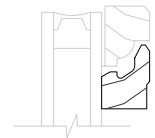
C
8
3/4" Finelight (Contoured)



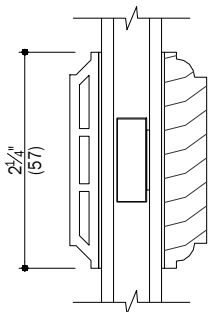
G
8
1" Finelight (Contoured)



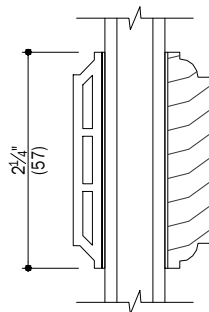
L
8
7/8" Colonial
Removable Interior Grille
For Both KD & Full Surround Grilles



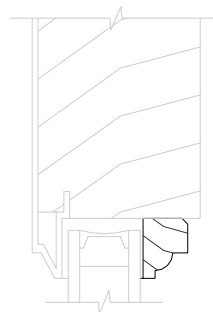
Q
8
Surround for Full Surround Grilles
Rectangle units only



D
8
2 1/4" Int. Colonial, Ext. Chamfer
Full Divided Light
Simulated check rail



H
8
2 1/4" Int. Colonial, Ext. Chamfer
Simulated Divided Light
Simulated check rail

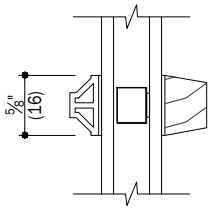


M
8
Ovolo (Colonial) Interior Glazing Stop

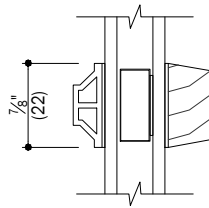
Notes:

Details have been optimized for use in architectural software and do not match manufacturing specifications. Dimensions in parentheses are in millimeters.

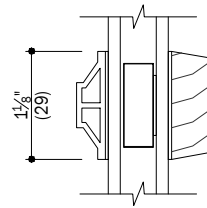
Date: 10/15/18
Scale: 3" (76) = 1' (305)



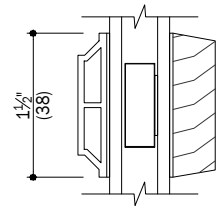
A
9 $\frac{5}{8}$ " Int. Contemporary, Ext. Chamfer Full Divided Light



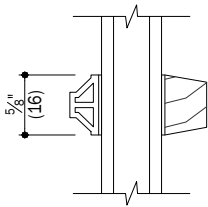
D
9 $\frac{7}{8}$ " Int. Contemporary, Ext. Chamfer Full Divided Light



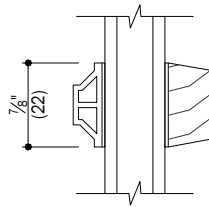
G
9 $1\frac{1}{8}$ " Int. Contemporary, Ext. Chamfer Full Divided Light



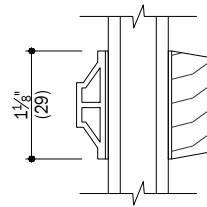
K
9 $1\frac{1}{2}$ " Int. Contemporary, Ext. Chamfer Full Divided Light



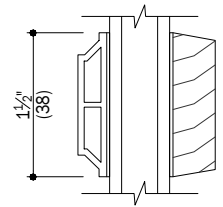
B
9 $\frac{5}{8}$ " Int. Contemporary, Ext. Chamfer Simulated Divided Light
Available as exterior grille bar Only



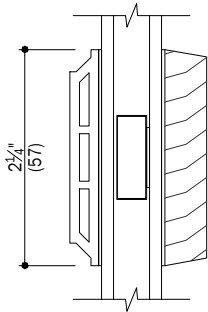
E
9 $\frac{7}{8}$ " Int. Contemporary, Ext. Chamfer Simulated Divided Light
Available as exterior grille bar Only



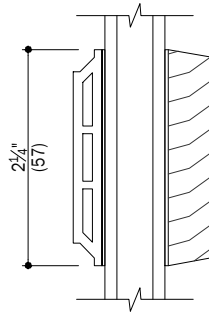
H
9 $1\frac{1}{8}$ " Int. Contemporary, Ext. Chamfer Simulated Divided Light
Available as exterior grille bar Only



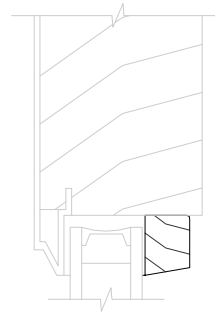
L
9 $1\frac{1}{2}$ " Int. Contemporary, Ext. Chamfer Simulated Divided Light
Available as exterior grille bar Only



C
9 $2\frac{1}{4}$ " Int. Contemporary, Ext. Chamfer Full Divided Light
Simulated check rail



F
9 $2\frac{1}{4}$ " Int. Contemporary, Ext. Chamfer Simulated Divided Light
Simulated check rail



J
9 Contemporary Interior Glazing Stop

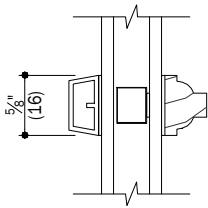
Notes:

Details have been optimized for use in architectural software and do not match manufacturing specifications. Dimensions in parentheses are in millimeters.

Date: 10/15/18
Scale: 3" (76) = 1' (305)

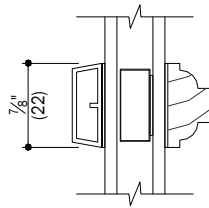
Big Doors

Folding Outswing Doors Traditional Panels



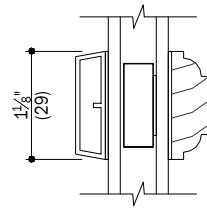
5/8" Int. Colonial, Ext. Contemporary
Full Divided Light

A
10



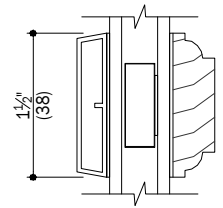
7/8" Int. Colonial, Ext. Contemporary
Full Divided Light

D
10



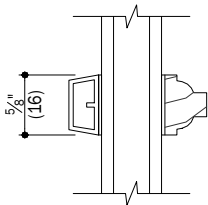
1 1/8" Int. Colonial, Ext. Contemporary
Full Divided Light

G
10



1 1/2" Int. Colonial, Ext. Contemporary
Full Divided Light

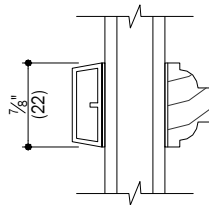
J
10



5/8" Int. Colonial, Ext. Contemporary
Simulated Divided Light

B
10

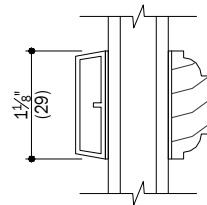
Available as exterior grille bar Only



7/8" Int. Colonial, Ext. Contemporary
Simulated Divided Light

E
10

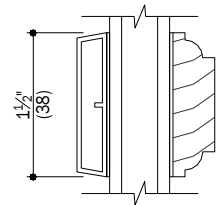
Available as exterior grille bar Only
Also available with removable interior



1 1/8" Int. Colonial, Ext. Contemporary
Simulated Divided Light

H
10

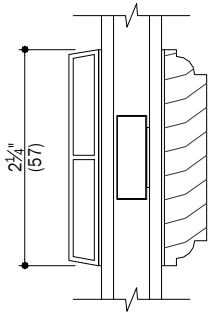
Available as exterior grille bar Only



1 1/2" Int. Colonial, Ext. Contemporary
Simulated Divided Light

K
10

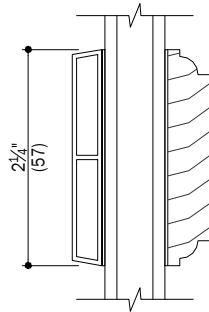
Available as exterior grille bar Only



2 1/4" Int. Colonial, Ext. Contemporary
Full Divided Light

C
10

Simulated check rail



2 1/4" Int. Colonial, Ext. Contemporary
Simulated Divided Light

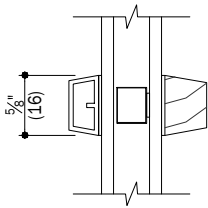
F
10

Simulated check rail

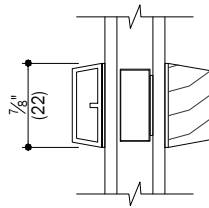
Notes:

Details have been optimized for use in architectural software and do not match manufacturing specifications.
Dimensions in parentheses are in millimeters.

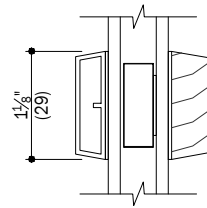
Date: 10/15/18
Scale: 3" (76) = 1' (305)



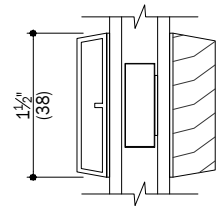
A
11 $\frac{5}{8}$ " Int. & Ext. Contemporary Full Divided Light



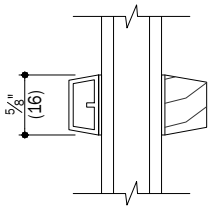
D
11 $\frac{7}{8}$ " Int. & Ext. Contemporary Full Divided Light



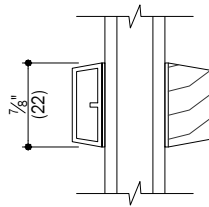
G
11 $1\frac{1}{8}$ " Int. & Ext. Contemporary Full Divided Light



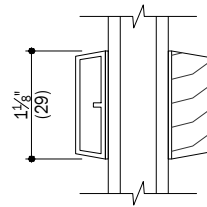
J
11 $1\frac{1}{2}$ " Int. & Ext. Contemporary Full Divided Light



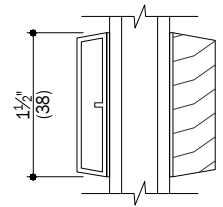
B
11 $\frac{5}{8}$ " Int. & Ext. Contemporary Simulated Divided Light
Available as exterior grille bar Only



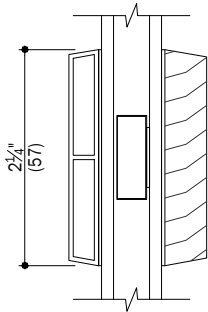
E
11 $\frac{7}{8}$ " Int. & Ext. Contemporary Simulated Divided Light
Available as exterior grille bar Only



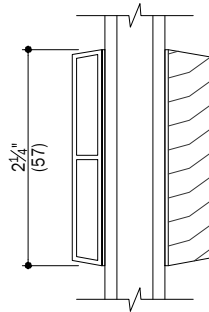
H
11 $1\frac{1}{8}$ " Int. & Ext. Contemporary Simulated Divided Light
Available as exterior grille bar Only



K
11 $1\frac{1}{2}$ " Int. & Ext. Contemporary Simulated Divided Light
Available as exterior grille bar Only



C
11 $2\frac{1}{4}$ " Int. & Ext. Contemporary Full Divided Light
Simulated check rail



F
11 $2\frac{1}{4}$ " Int. & Ext. Contemporary Simulated Divided Light
Simulated check rail

Notes:

Details have been optimized for use in architectural software and do not match manufacturing specifications. Dimensions in parentheses are in millimeters.

Date: 10/15/18
Scale: 3" (76) = 1' (305)