

Magnet Installation Guide

for Andersen® Clad Outswing Contemporary Folding Doors



Thank you for choosing Andersen.

Instructions are for typical, new wood-framed wall construction with weather protection in place.

Instructions may not be right for all installations due to building design, construction materials or methods used and/or site conditions. Consult a contractor or architect for recommendations.

Flanges on the unit alone will not properly flash and seal the window or door. Follow these instructions carefully.

For questions call 1-888-888-7020 Monday - Friday, 7am to 7pm and Saturday 8am to 4pm central time.

Due to ongoing product changes, updated test results and/or industry best practices, this installation procedure may change over time. For updated installation guides and/or additional installation information, visit andersenwindows.com/installation.

Contact local authorities or waste management companies for proper recycling and/or disposal of removed windows or patio doors.

Please leave this guide with building owner.

Read guide from beginning to end before starting installation. Read and follow all warnings and cautions during unit installation.

⚠ WARNING

Use caution when working at elevated heights and around unit openings. Follow manufacturers' instructions for ladders and/or scaffolding. Failure to do so may result in injury or death.

⚠ WARNING

Follow manufacturers' instructions for hand or power tools. Always wear safety glasses. Failure to do so may result in injury and/or product damage.

⚠ WARNING

Windows and doors can be heavy. Use safe lifting techniques and a reasonable number of people with enough strength to lift, carry and install window and door products to avoid injury and/or product damage.

⚠ WARNING

Unless specifically ordered, Andersen windows and doors are not equipped with safety glass, and if broken, could fragment causing injury. Many laws and building codes require safety glass in locations adjacent to or near doors. Andersen windows and doors are available with safety glass that may reduce the likelihood of injury when broken. Information on safety glass is available from your local Andersen dealer.

⚠ CAUTION

- Factory supplied head flashing and installation flanges **DO NOT** take the place of standard window and door flashing. Unit must be properly flashed and sealed with silicone for protection against water and air infiltration. Use non-reflective flashings.
- Do not apply any type of film to glass. Thermal stress conditions resulting in glass damage could occur.
- Use of movable insulating materials such as window coverings, shutters, and other shading devices may damage glass. In addition, excessive condensation may result causing deterioration of windows and doors.

NOTICE

Building construction prior to 1978 may contain lead paint which could be disturbed during window replacement. For more information on proper management of lead paint, visit www.epa.gov/lead.

1. Install Magnetic Catches

⚠ WARNING

Use caution when handling the magnets. The magnets have a strong attraction force and if placed close to each other will snap together. This could cause personal injury.

CAUTION

Large magnetic catches are installed on active or passive panels and adjacent panels. This is to stop handle from hitting adjacent panel when opened. Large magnetic catches must be positioned to provide enough clearance between panels for the hardware handle. Verify position of magnetic catches and handle clearance before installation. Failure to install or properly position magnetic catches will result in property damage.

IMPORTANT

Provided magnetic catches are for installation on the exterior. Magnetic catches can be installed on the top or bottom of panels. The provided Installation Layout shows which panels get magnetic catches.

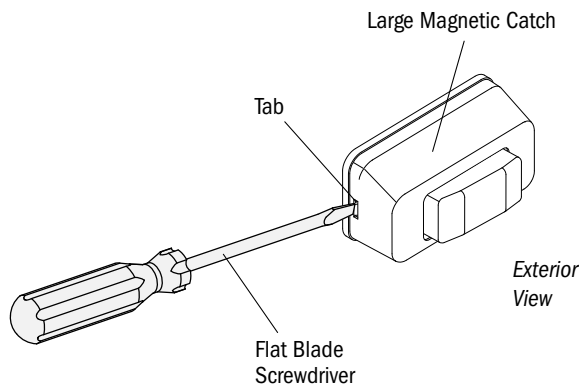
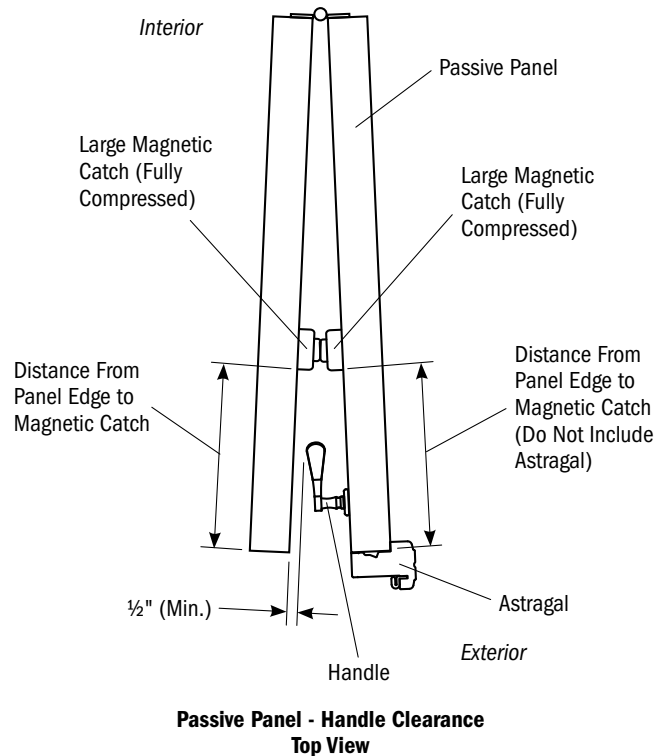
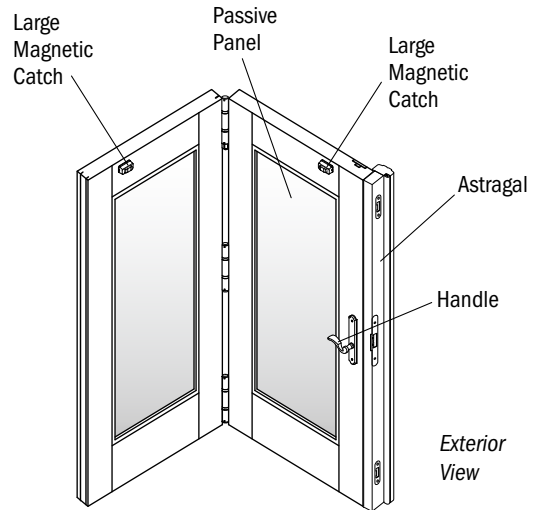
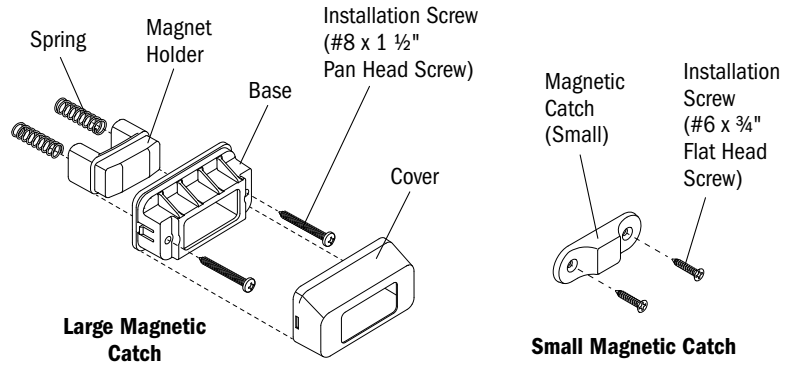
IMPORTANT

When measuring panels with astragals for magnetic catch location, do not include the astragal in the measurement.

IMPORTANT

Make sure the magnetic catches you place on opposing door panels attract not repel each other.

- Remove cover from large magnetic catches with a flat blade screwdriver. Push the tabs in on both sides of the magnetic catch and separate the cover from the base. Do not lose any parts.

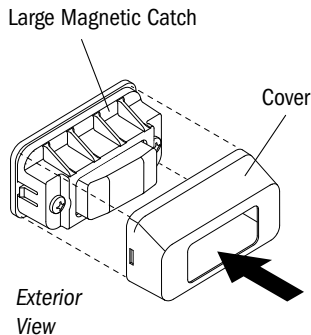
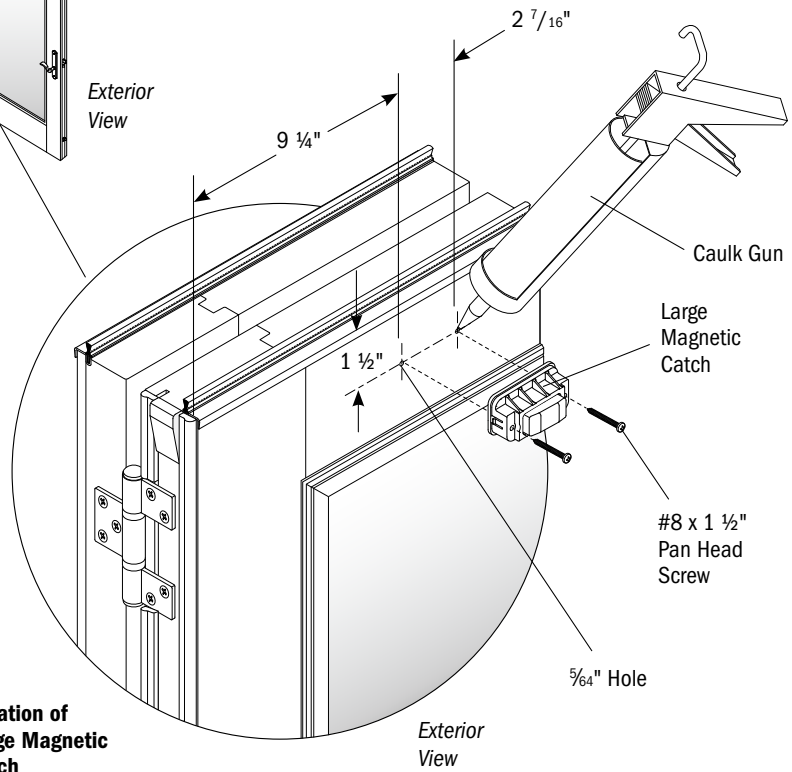
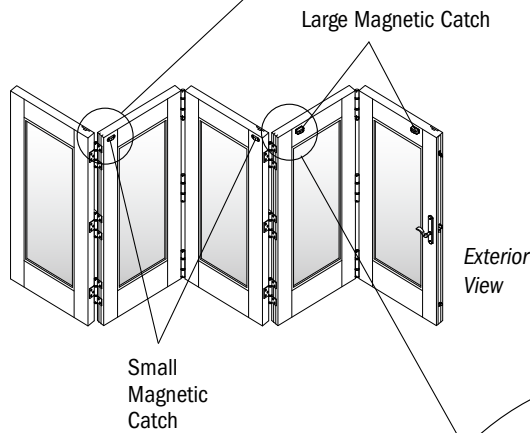
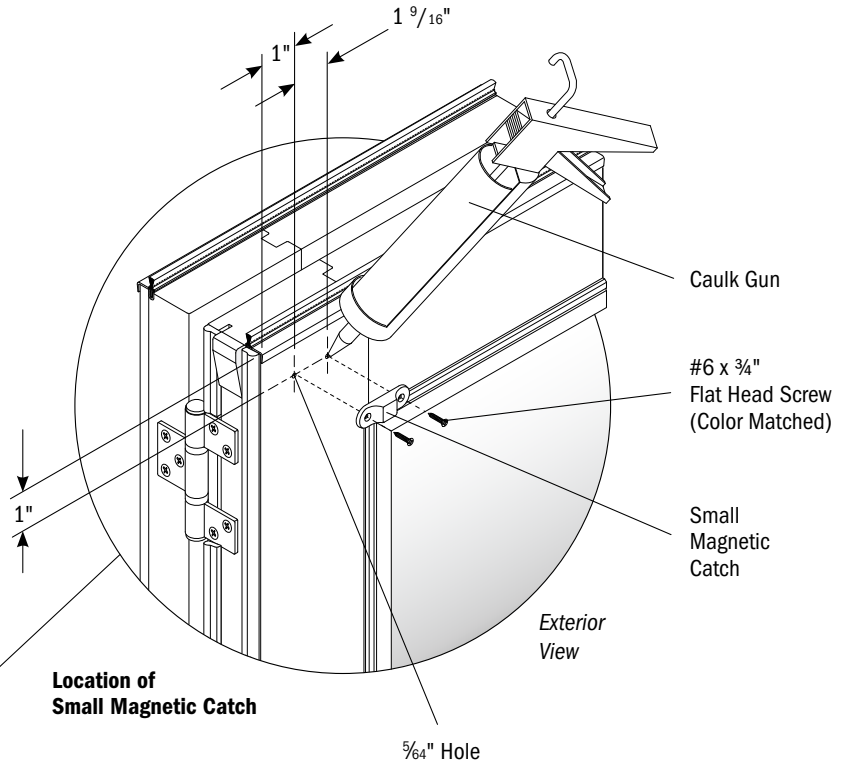


1. Install Magnetic Catches (continued)

IMPORTANT

This specified position of the large magnetic catches is for Andersen® provided handles only. Adjust position of magnetic catches for other handles.

- Predrill door panels with $\frac{5}{64}$ " drill bit by 1" deep based on small or large magnetic catch hole locations. See drawings. Measurements for hole locations are taken from edge of panel. Use a level to check that holes are level on panel.
- Inject a small amount of sealant into each hole.
- Secure magnetic catches to door panels with provided screws. Make sure springs stay in location in large magnetic catches.
- Snap covers back onto large magnetic catches.



This page has been intentionally left blank.