

Hardware Application Instructions for:

- **Product Series** - Specialty Doors
- **Product Type** - MultiGlide™ Door

Read these instructions and the Product Safety Information before starting procedure.

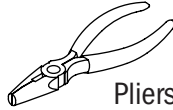
Typical Tools Needed



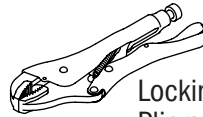
Safety Glasses



Phillips Head Screwdriver



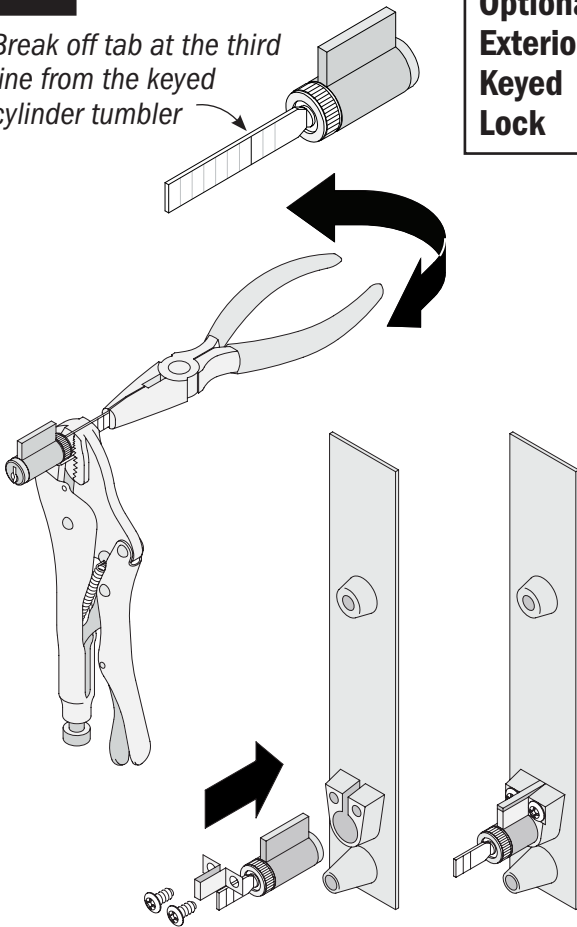
Pliers



Locking Pliers

1

Break off tab at the third line from the keyed cylinder tumbler

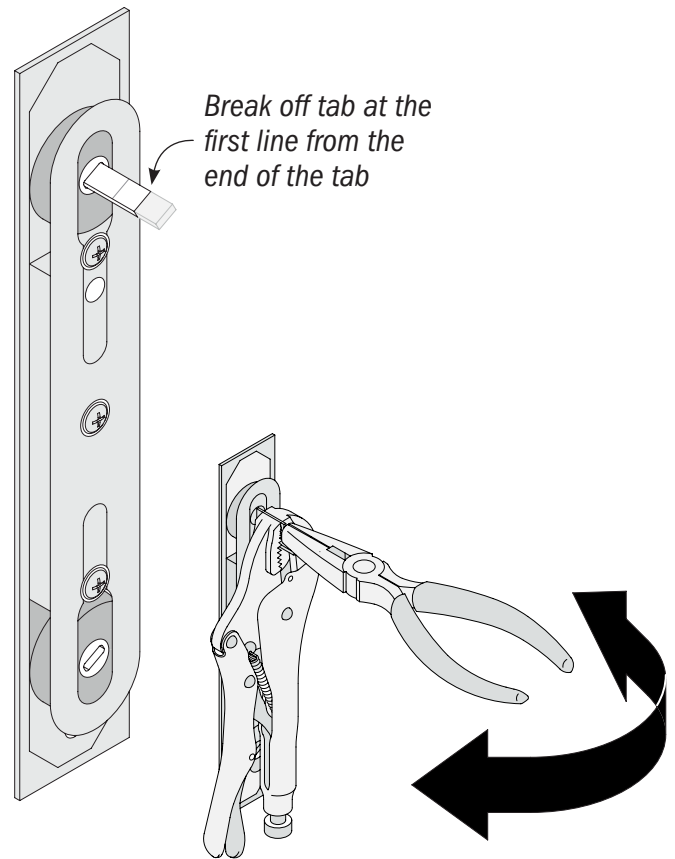


**Optional
Exterior
Keyed
Lock**

Assemble keyed lock and exterior escutcheon plate as shown.

2

Break off tab at the first line from the end of the tab



Break off the end of the lock lever tab at the first line from the end of the tab as shown.

Thank you for choosing Andersen.

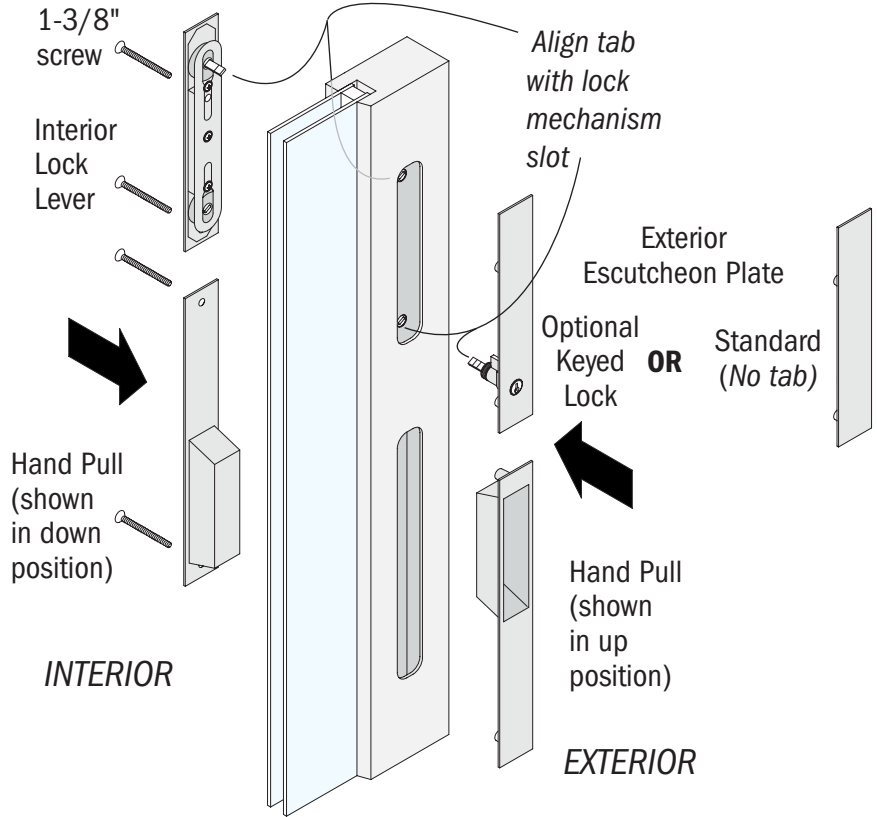
3

NOTICE

• Do Not use a drill/driver for hardware application. Doing so could result in product damage.

Hand pull can be applied with pull pocket up or down

Opposite side will have opposite orientation

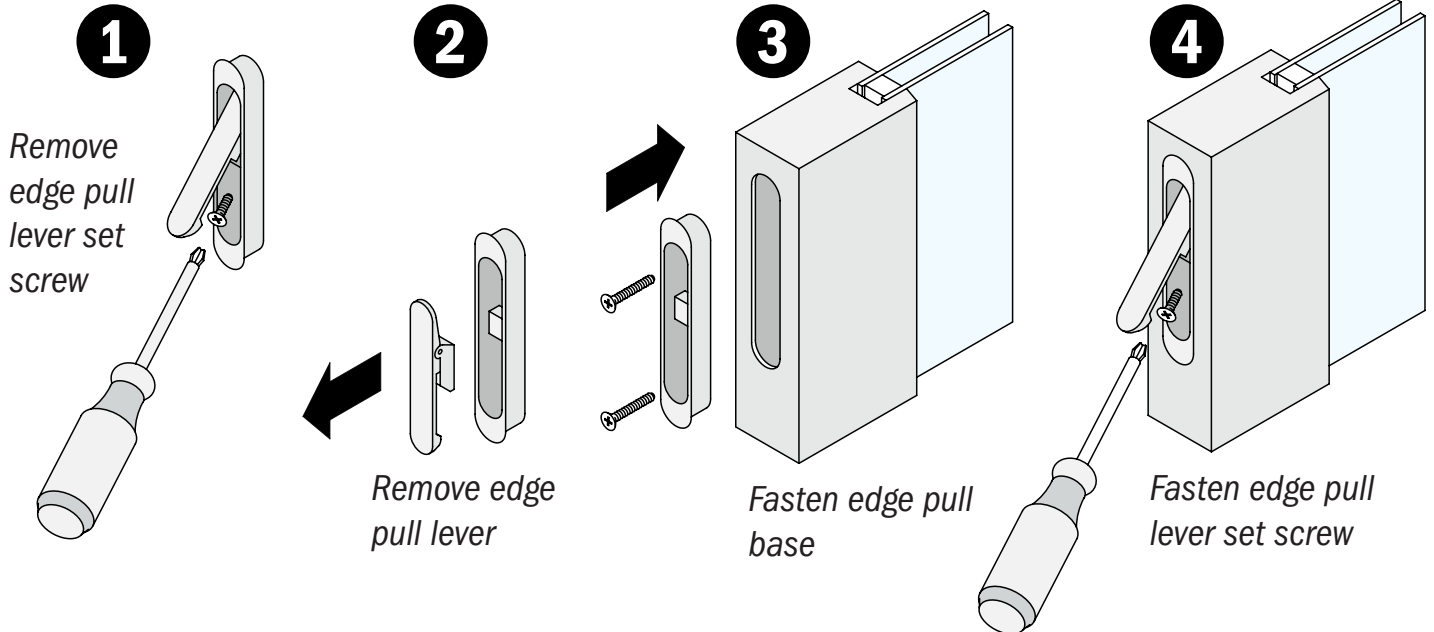


Apply hardware as shown. Hardware application is complete.

Optional Edge Pull

NOTICE

• Do Not use a drill/driver for hardware application. Doing so could result in product damage.



Disassemble edge pull lever from base, place in panel rout and fasten with screws provided. Reposition edge pull and fasten set screw. Edge pull application is complete.