

Site Preparation Information for:



- **Product Series** - Big Doors
- **Product Type** - Liftslide Door
- **Frame Configuration** - Non-Pocket

For: Liftslide Door Installation Instructions/Videos



Go To -
[andersenwindows.com/
installation](https://andersenwindows.com/installation)

or



Scan -



Installation Site Specifications

Document Use

This document is a set-up guide to support the door's Opening Preparation and Installation Instructions. Information in this document assists in the construction of the rough opening. It does not constitute actual wall fabrication, construction, or material recommendations. This document identifies considerations that must be taken into account in the construction of the rough opening. Andersen has no obligation to perform any on-site inspection, before, during, or after construction and installation.

Code Compliance

Compliance with all applicable laws, ordinances, building codes, and safety requirements with regard to Andersen specifications or use of the door is the responsibility of the architect, building owner, installer and/or contractor.

Product Protection

Store the door and any accessories off the ground, fully supported, under cover, protected from weather and construction activities. Protect uncartoned components. Continue to protect door from construction activities and floor traffic after installation.

Construction by Others

Andersen is not responsible for conditions in or performance of the building construction adjacent to and beyond the perimeter of the door. The method of attachment for the door to the building structure and the fastener selection is the responsibility of the architect, building owner, installer and/or contractor. In door replacement situations, Andersen is not responsible to inspect the site or door rough opening to approve the structural integrity of the existing rough opening, header load carrying capabilities, or overall rough opening fitness for door installation.

Thank you for choosing Andersen.

Installation Site Specifications (continued)

Floor

- Floor must be structurally sound, flat, and level the entire frame width and depth and have a load carrying capacity of 100 pounds per lineal foot and a maximum deflection of 1/16" over the span of the opening after loading.

WARNING

- Verify there are no electrical, plumbing, or HVAC components in fastener locations. Failure to do so could result in injury or property damage.

Fastening

Head Jamb and Side Jamb(s)

- Fasteners (#10 countersunk flat head screw - not supplied) must attach to a wood structural framing member with a 1-1/2" minimum fastener embedment, or 3 full threads of engagement - (#10 self-drilling countersunk flat head screw - not supplied) in structural steel studs. Jacking screws are located 1-1/2" from the exterior edge of the jambs.

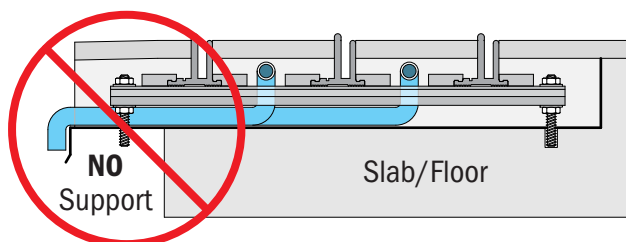
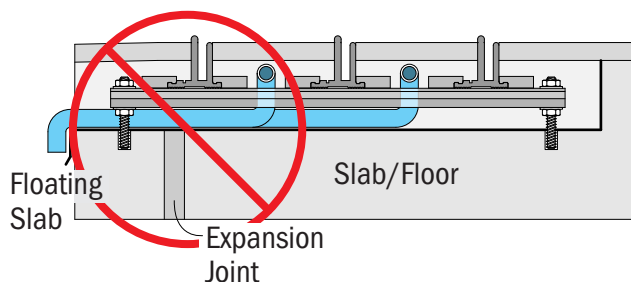
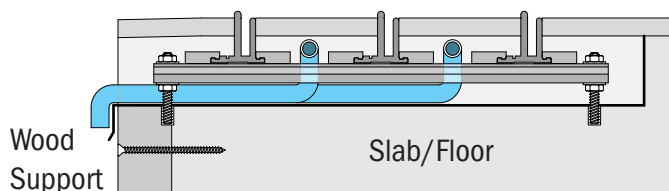
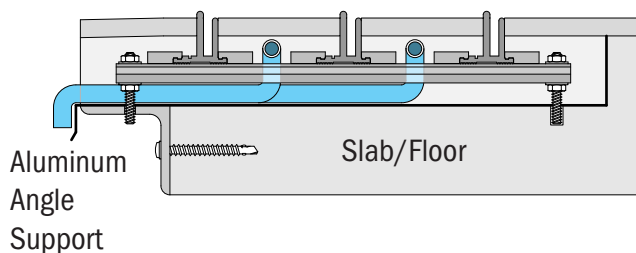
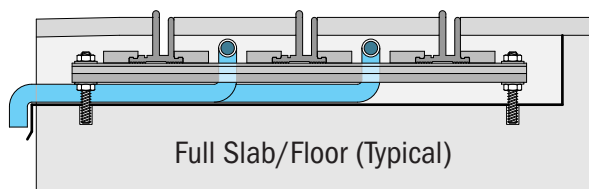
Sill Fasteners

- Fasteners (1/4"-20 x 4" hanger bolt - not supplied) must attach to a wood structural framing member with a 1-1/2" minimum fastener embedment, or 1/4"-20 x 4" threaded rod (with nut and washers) in masonry with a 1-1/4" minimum fastener embedment. Masonry fasteners must be set back a minimum of 1-1/2" from the concrete slab's edge.

Sill Support

- Sill must be supported full depth. See structural support options below, where the existing slab/floor does not extend far enough to support the full depth of the sill.
- Sill Support material is supplied by others.

Liftslide Door Flush Sill with Drainage Track Support Options



Installation Site Specifications (continued)

Liftslide Door Dimensions

Door dimensions are to the outer most exterior of the door frame components for Liftslide doors. The Liftslide door rough opening dimensions are included in the supplied shop drawings.

Rough Opening Dimensions

Rough opening dimension references shown are the dimensions recommended for proper installation as instructed. These dimensions may need to be increased to allow for use of building wraps, flashings, sill panning, brackets, fasteners or other items within the rough opening. The rough opening is to be constructed in such a way as to provide structural framing members at all anchoring locations for fastening the head and side jambs. The header must be constructed in such a manner as to allow a maximum deflection of 1/8" over the span of the opening when the header is fully loaded. Due to the large jamb depths, make sure the sides of the rough opening are square to the exterior wall.

Rough Opening Dimensions are:

- Liftslide Door - 1" wider and 2-13/16" higher (1/2" at the top and 2-5/16" at the dap-out) than door dimensions

Header Height

- Liftslide Door - Rough opening header height is measured from the bottom of the dap-out, which is 2-5/16" below the top of the finished floor. If you deviate from the 2-5/16" dap-out dimension you must calculate for the difference.

Liftslide Door with Third Party Automation (by Others)

Liftslide doors can be accessorized with third party automation. Andersen can provide limited assistance in rough opening recommendations in preparation for the addition of automation.

Door Component Weights

Door panels and frame components for Liftslide doors are heavy. The charts below provide an estimated weight for panels or frame components for handling requirement planning. Weights are approximate and will vary by door configuration.

PANEL WEIGHT*		- Dual Pane Tempered Glass		*Actual weight will vary by glass configuration and panel type							
		- Triple Pane Tempered Glass									
		PANEL WIDTH									
		30"	40"	50"	60"	70"	80"	90"	100"	110"	120"
PANEL HEIGHT	80"	130 lbs	170 lbs	210 lbs	250 lbs	290 lbs	330 lbs	380 lbs	420 lbs	460 lbs	500 lbs
	(160 lbs)	(210 lbs)	(260 lbs)	(310 lbs)	(360 lbs)	(420 lbs)	(470 lbs)	(520 lbs)	(570 lbs)	(630 lbs)	
	90"	140 lbs	190 lbs	230 lbs	280 lbs	330 lbs	380 lbs	420 lbs	470 lbs	520 lbs	560 lbs
	(180 lbs)	(230 lbs)	(290 lbs)	(350 lbs)	(410 lbs)	(470 lbs)	(530 lbs)	(590 lbs)	(640 lbs)	(700 lbs)	
	100"	160 lbs	210 lbs	260 lbs	310 lbs	360 lbs	420 lbs	470 lbs	520 lbs	570 lbs	630 lbs
	(200 lbs)	(260 lbs)	(330 lbs)	(390 lbs)	(460 lbs)	(520 lbs)	(590 lbs)	(650 lbs)	(720 lbs)	(780 lbs)	
	110"	170 lbs	230 lbs	290 lbs	340 lbs	400 lbs	460 lbs	520 lbs	570 lbs	630 lbs	690 lbs
	(210 lbs)	(290 lbs)	(360 lbs)	(430 lbs)	(500 lbs)	(570 lbs)	(640 lbs)	(720 lbs)	(790 lbs)	(860 lbs)	
	120"	190 lbs	250 lbs	310 lbs	380 lbs	440 lbs	500 lbs	560 lbs	630 lbs	690 lbs	750 lbs
	(230 lbs)	(310 lbs)	(390 lbs)	(470 lbs)	(550 lbs)	(630 lbs)	(700 lbs)	(780 lbs)	(860 lbs)	(940 lbs)	
	130"	200 lbs	270 lbs	340 lbs	410 lbs	470 lbs	540 lbs	610 lbs	680 lbs	740 lbs	810 lbs
	(250 lbs)	(340 lbs)	(420 lbs)	(510 lbs)	(590 lbs)	(680 lbs)	(760 lbs)	(850 lbs)	(930 lbs)	(1020 lbs)	
	140"	220 lbs	290 lbs	360 lbs	440 lbs	510 lbs	580 lbs	660 lbs	730 lbs	800 lbs	880 lbs
	(270 lbs)	(360 lbs)	(460 lbs)	(550 lbs)	(640 lbs)	(730 lbs)	(820 lbs)	(910 lbs)	(1000 lbs)	(1090 lbs)	
	150"	230 lbs	310 lbs	390 lbs	470 lbs	550 lbs	630 lbs	700 lbs	780 lbs	860 lbs	940 lbs
	(290 lbs)	(390 lbs)	(490 lbs)	(590 lbs)	(680 lbs)	(780 lbs)	(880 lbs)	(980 lbs)	(1070 lbs)	(n/a)	
	160"	250 lbs	330 lbs	420 lbs	500 lbs	580 lbs	670 lbs	750 lbs	830 lbs	920 lbs	1000 lbs
	(310 lbs)	(420 lbs)	(520 lbs)	(630 lbs)	(730 lbs)	(830 lbs)	(940 lbs)	(1040 lbs)	(n/a)	(n/a)	
170"	270 lbs	350 lbs	440 lbs	530 lbs	620 lbs	710 lbs	800 lbs	890 lbs	970 lbs	1060 lbs	
(330 lbs)	(440 lbs)	(550 lbs)	(660 lbs)	(770 lbs)	(890 lbs)	(1000 lbs)	(n/a)	(n/a)	(n/a)		

Installation Site Specifications (continued)

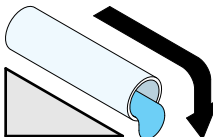
Door Component Weights (continued)

FRAME COMPONENT WEIGHT	
Actual weight will vary by material and jamb depth	
FRAME COMPONENT	Weight per Track
Head Jamb - Aluminum	2.2 lbs/ft
Side Jamb - Aluminum	1.5 lbs/ft
Head Jamb - Hardwood	1.8 lbs/ft
Side Jamb - Hardwood	1.5 lbs/ft
Head Jamb - Softwood	2.5 lbs/ft
Side Jamb - Softwood	1.7 lbs/ft

FRAME COMPONENT WEIGHT		
Actual weight will vary by panel count and configuration		
SILL	Weight per Sill	
Number of Tracks	One-Direction	Two-Direction
2 - Tracks	5-50 lbs	5-50 lbs
3 - Tracks	5-50 lbs	5-50 lbs
4 - Tracks	5-50 lbs	5-50 lbs
5 - Tracks	5-50 lbs	50-100 lbs
6 - Tracks	5-50 lbs	50-100 lbs
7 - Tracks	50-100 lbs	50-100 lbs
9 - Tracks	50-100 lbs	100-150 lbs
11 - Tracks	50-100 lbs	150-200 lbs

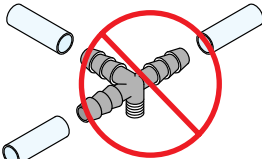
Typical Drainage Manifold (recommended) (by others - i.e. plumbing professional)

NOTICE



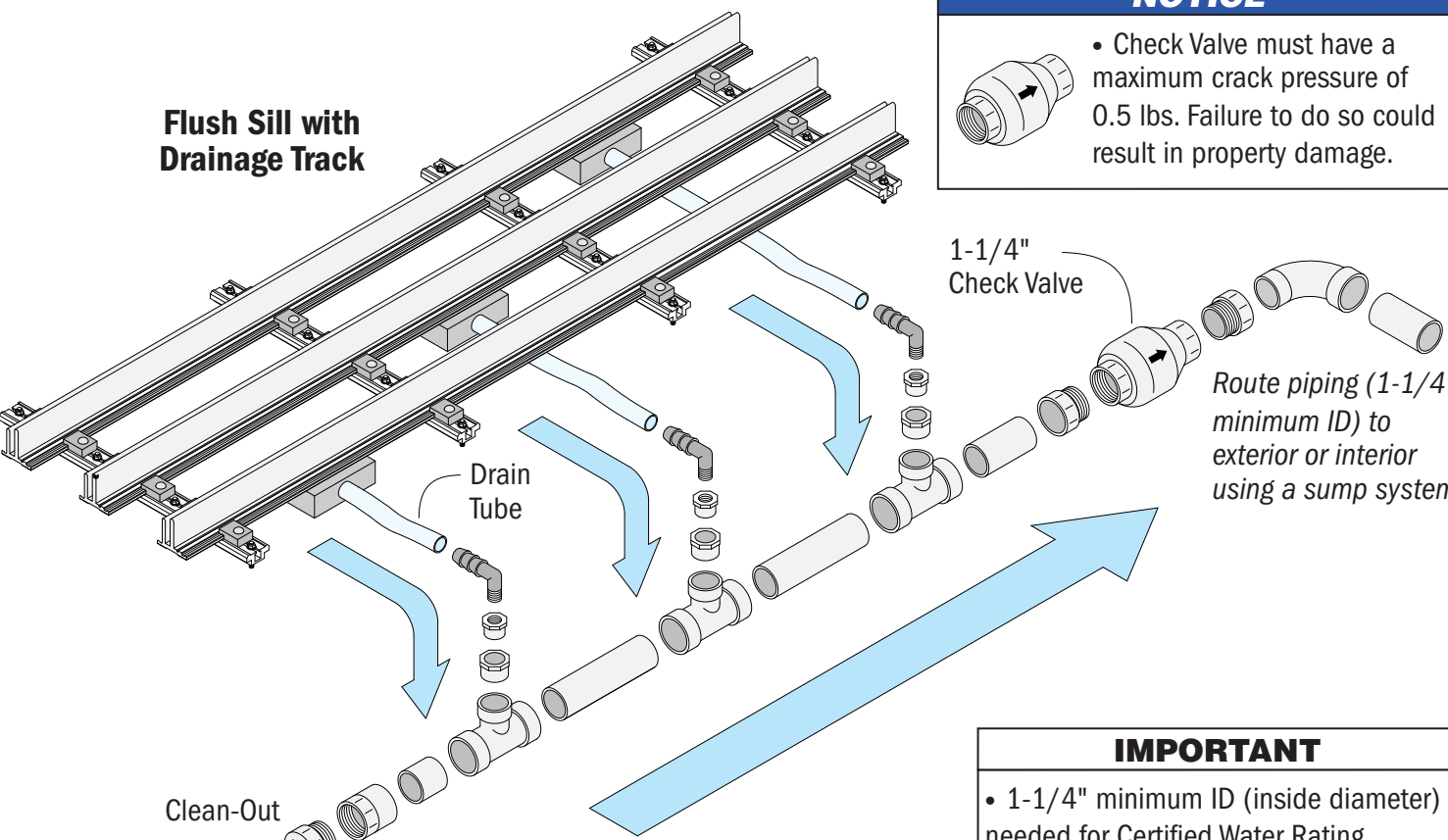
- A positive drainage slope must be maintained throughout the Drainage System. Failure to do so could result in property damage.

NOTICE



- **DO NOT** join more than two (2) drain tubes before connecting to manifold. Doing so could result in property damage.

NOTICE



Flush Sill with Drainage Track

Clean-Out

1-1/4" Check Valve

Route piping (1-1/4" minimum ID) to exterior or interior using a sump system

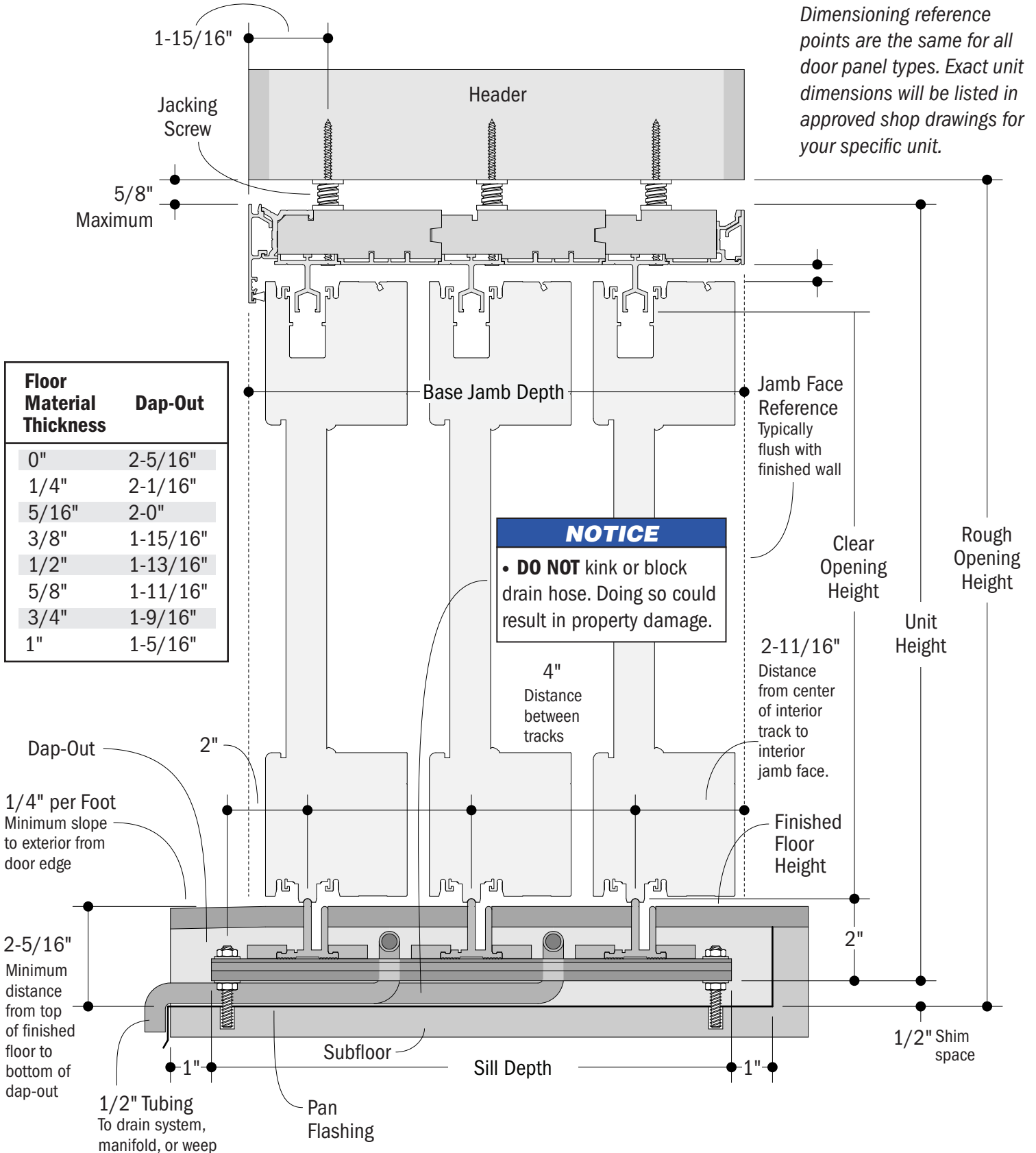
IMPORTANT

- 1-1/4" minimum ID (inside diameter) needed for Certified Water Rating

Liftslide Door Vertical Detail

IMPORTANT

- The bottom of the dap-out must be 2-5/16" below the top of the finished floor. Failure to do so could result in the Liftslide door rough opening being undersized or mislocated.

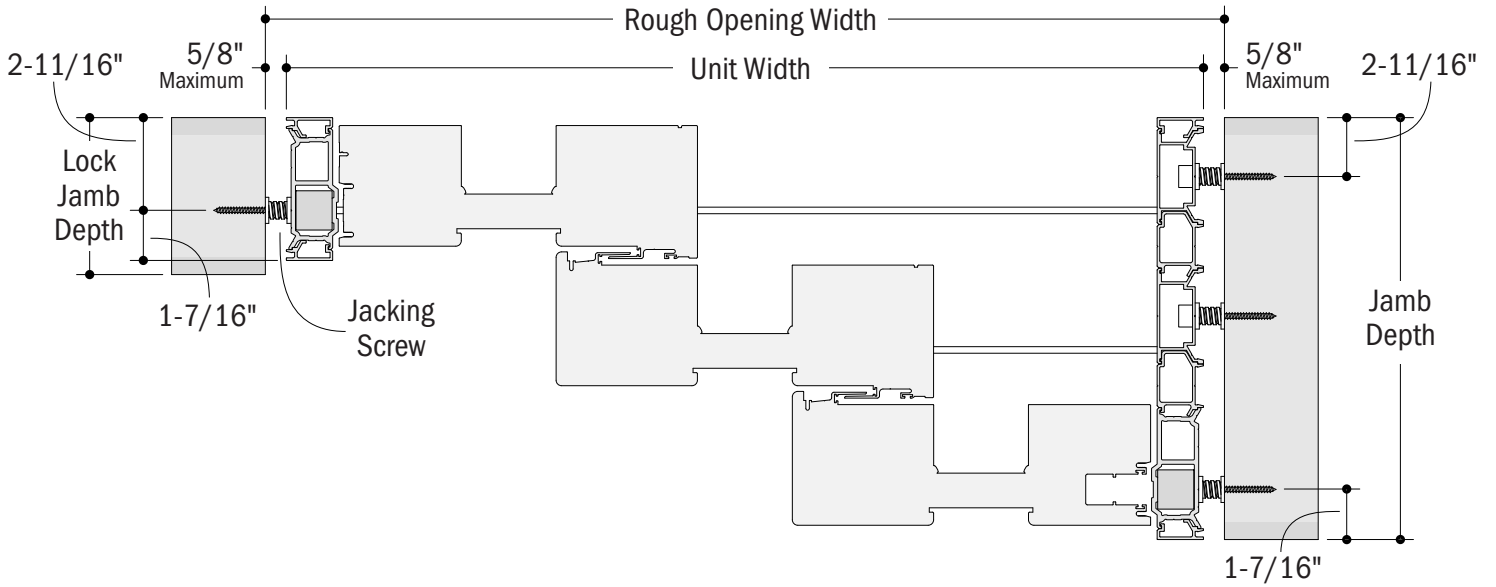


FLUSH SILL with DRAINAGE TRACK

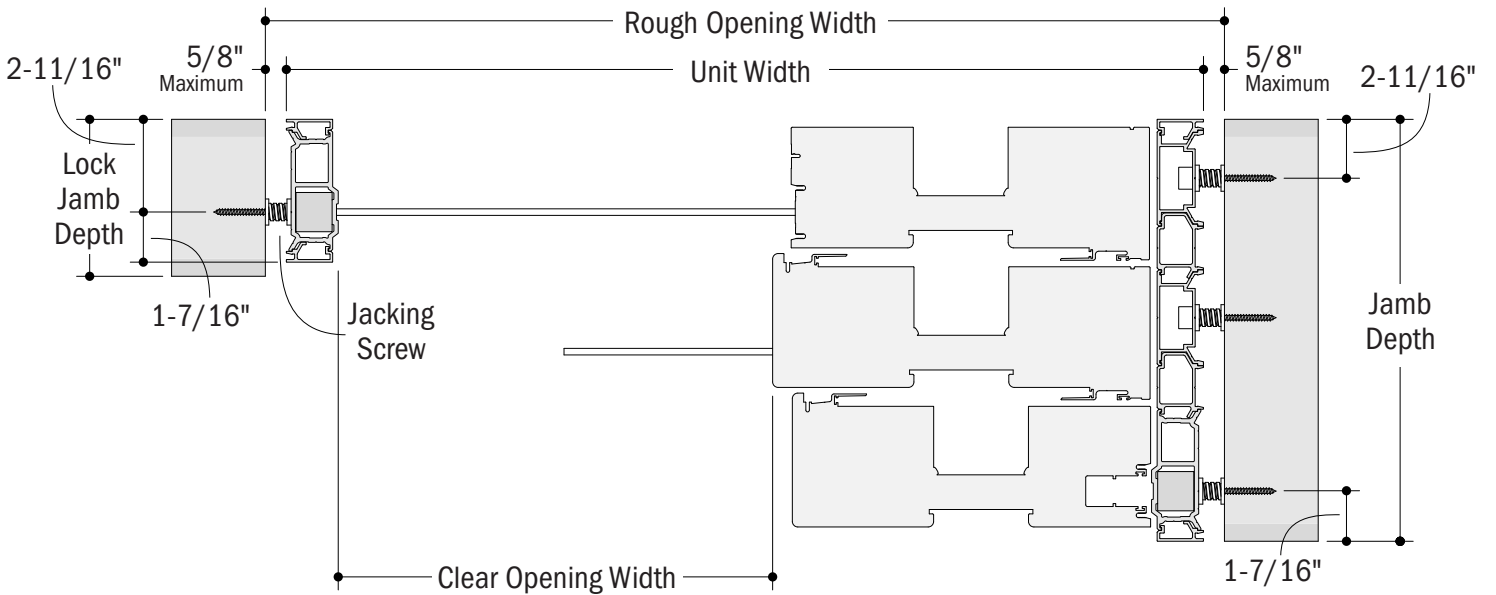
Jamb-Jamb Configurations

Liftslide Door Horizontal Details

One-Direction Panel Operation



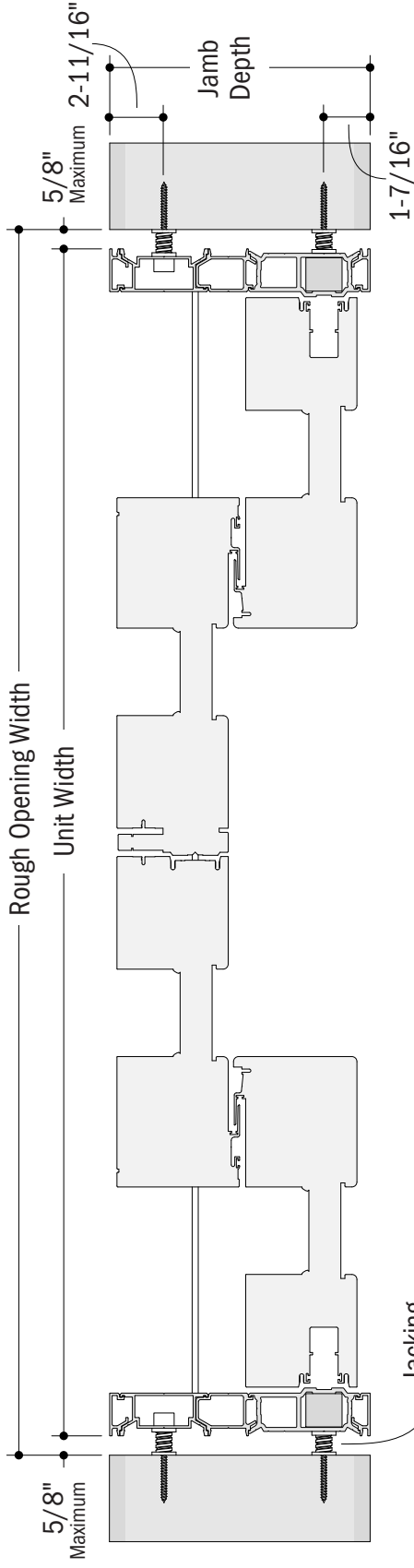
FLUSH SILL with DRAINAGE TRACK
Jamb-Jamb Configuration (Closed)



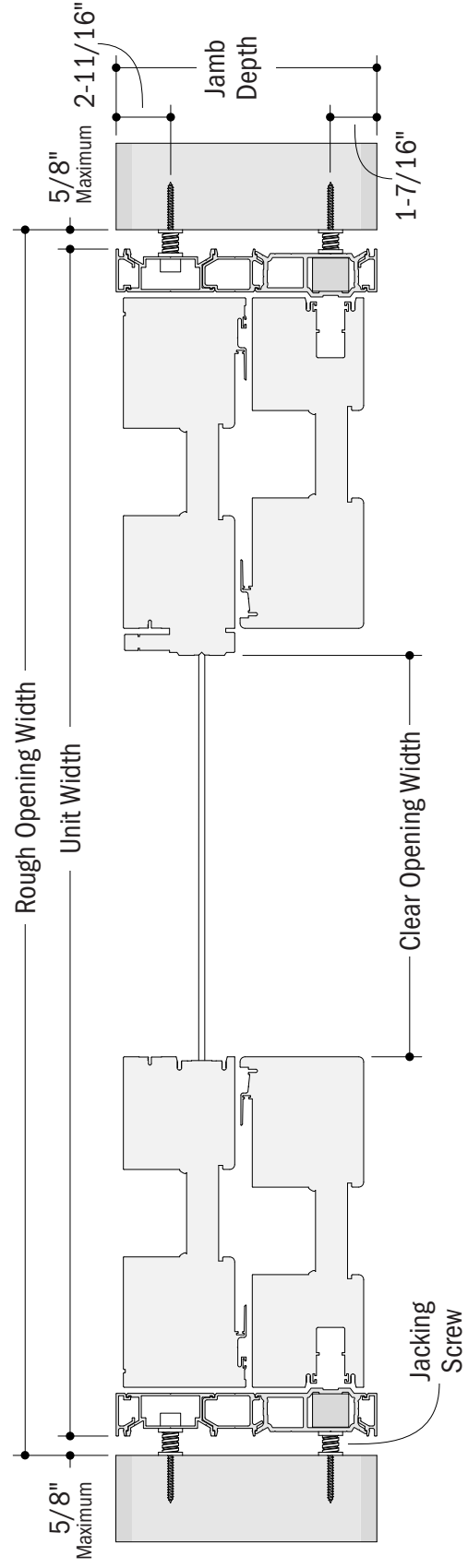
FLUSH SILL with DRAINAGE TRACK
Jamb-Jamb Configuration (Open)

Lifslide Door Horizontal Details

Two-Direction Panel Operation



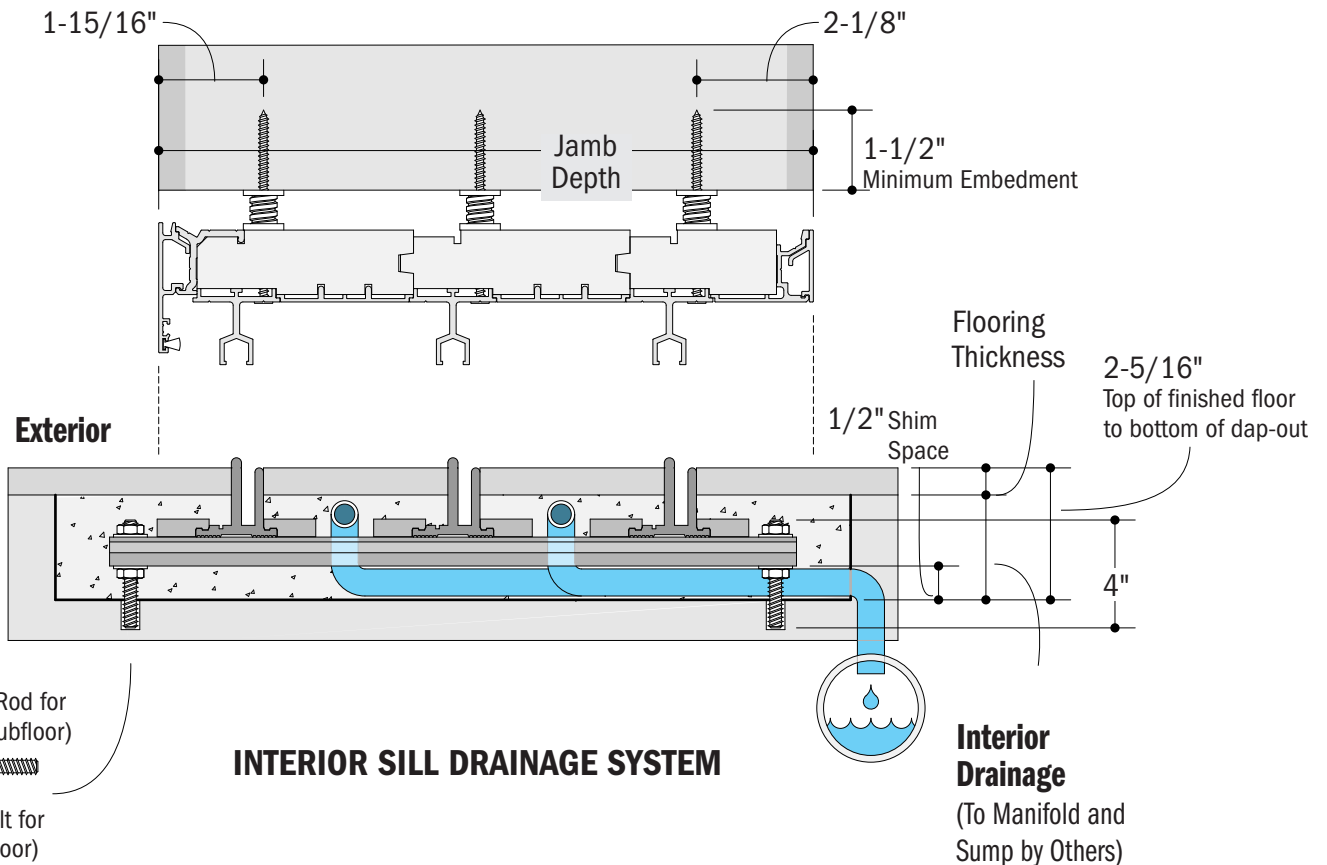
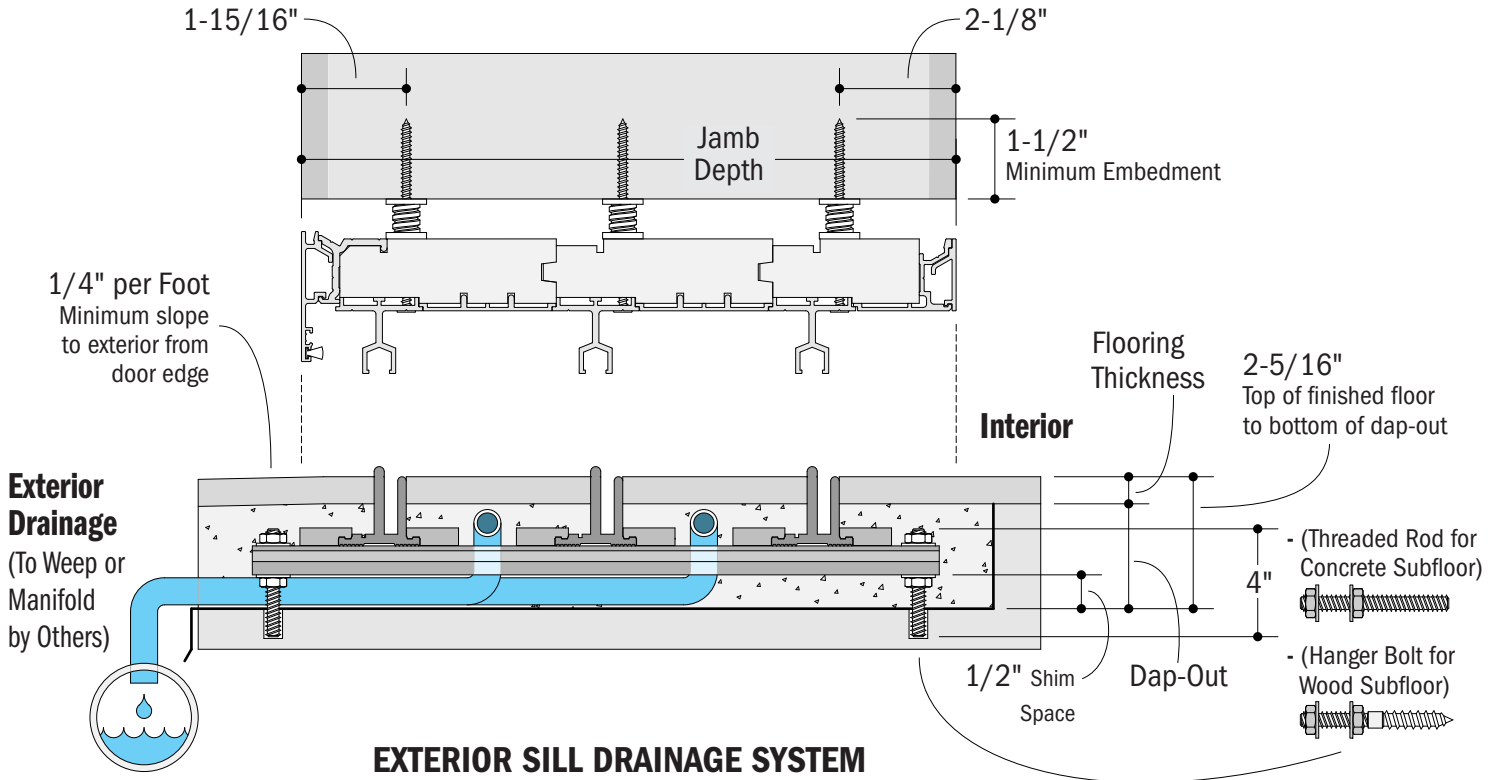
FLUSH SILL with DRAINAGE TRACK
Jamb-Jamb Configuration (Closed)



FLUSH SILL with DRAINAGE TRACK
Jamb-Jamb Configuration (Open)

Liftslide Door Flush Sill with Drainage Track Vertical Details

Interior and Exterior Sill Drainage System

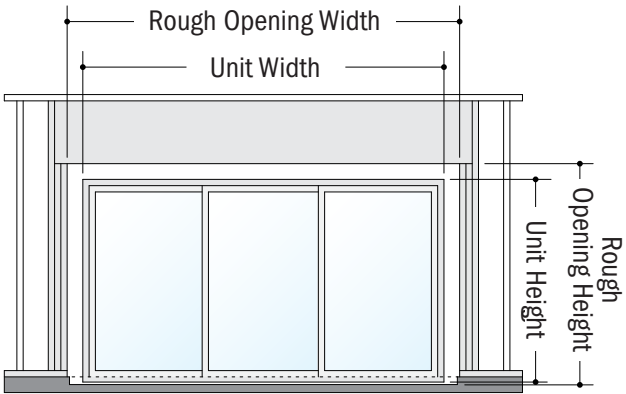


Typical Liftslide Door Rough Framing

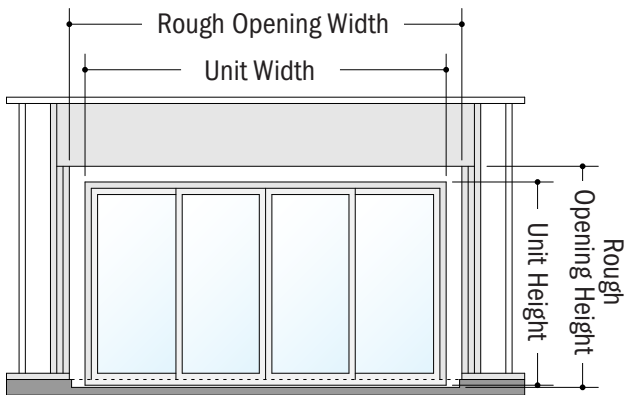
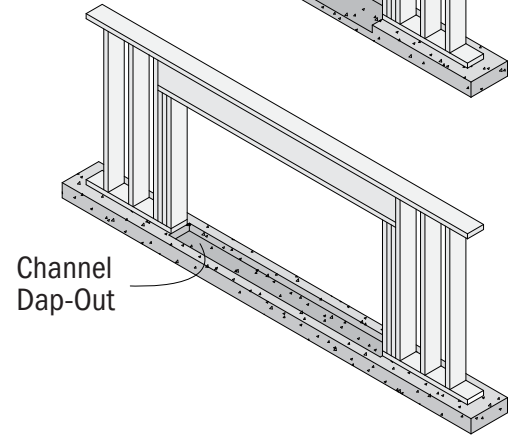
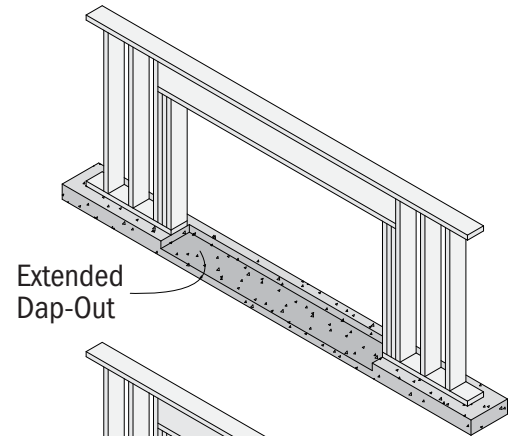
FLUSH SILL with DRAINAGE TRACK

Wood or Concrete

Shown as viewed from the exterior without sheathing for clarity



Jamb-Jamb
One-Direction
Panel Operation



Jamb-Jamb
Two-Direction
Panel Operation

