

ANDERSEN CORPORATION

INSWING TRANSOM WINDOW



100 FOURTH AVE. NORTH
BAYPORT, MN 55003-1096
PH: (651) 264-5150 FX: (651) 264-5485

GENERAL NOTES:

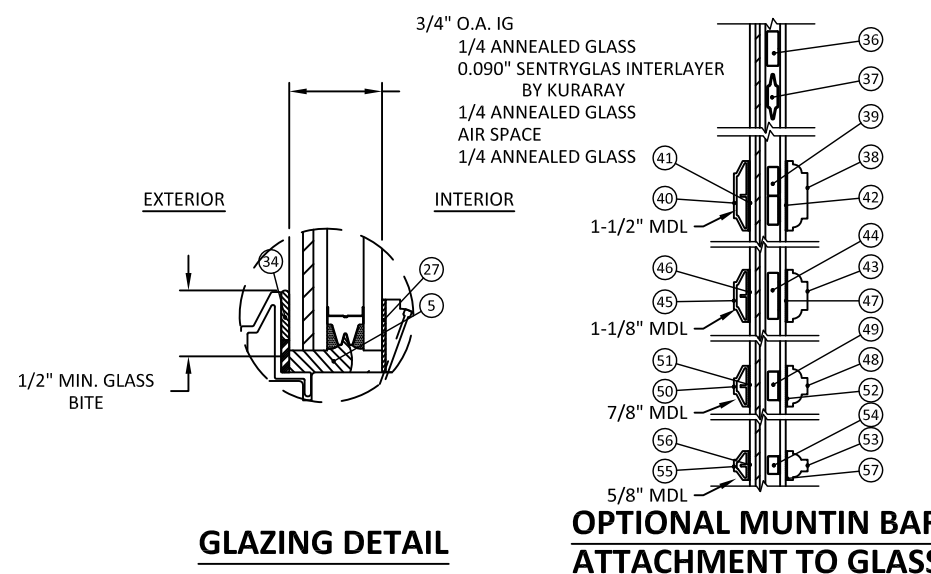
- THE PRODUCT SHOWN HEREIN IS DESIGNED AND MANUFACTURED TO COMPLY WITH THE CURRENT EDITION FLORIDA BUILDING CODE (FBC), INCLUDING HVHZ AND HAS BEEN EVALUATED ACCORDING TO THE FOLLOWING:
 - TAS201
 - TAS202
 - TAS203
- ADEQUACY OF THE EXISTING STRUCTURAL CONCRETE/MASONRY, 2X FRAMING, AND METAL FRAMING AS A MAIN WIND FORCE RESISTING SYSTEM CAPABLE OF WITHSTANDING AND TRANSFERRING APPLIED PRODUCT LOADS TO THE FOUNDATION IS THE RESPONSIBILITY OF THE ENGINEER OR ARCHITECT OF RECORD FOR THE PROJECT OF INSTALLATION.
- 1X AND 2X BUCKS (WHEN USED) SHALL BE DESIGNED AND ANCHORED TO PROPERLY TRANSFER ALL LOADS TO THE STRUCTURE. BUCK DESIGN AND INSTALLATION IS THE RESPONSIBILITY OF THE ENGINEER OR ARCHITECT OF RECORD FOR THE PROJECT OF INSTALLATION.
- THE INSTALLATION DETAILS DESCRIBED HEREIN ARE GENERIC AND MAY NOT REFLECT ACTUAL CONDITIONS FOR A SPECIFIC SITE. IF SITE CONDITIONS CAUSE INSTALLATION TO DEVIATE FROM THE REQUIREMENTS DETAILED HEREIN, A LICENSED ENGINEER OR ARCHITECT SHALL PREPARE SITE SPECIFIC DOCUMENTS FOR USE WITH THIS DOCUMENT IN NON-HVHZ AREAS. IN HVHZ AREAS, ONE TIME PRODUCT APPROVAL TO BE OBTAINED FROM MIAMI-DADE RER OR AHJ.
- APPROVED IMPACT PROTECTIVE SYSTEM **IS NOT REQUIRED** ON THIS PRODUCT IN AREAS REQUIRING IMPACT RESISTANCE.
- WINDOW FRAME MATERIAL: PVC
- GLASS MEETS THE REQUIREMENTS OF ASTM E 1300 GLASS CHARTS. SEE SHEET 1 FOR GLAZING DETAILS.

TABLE OF CONTENTS		
SHEET	REVISION	SHEET DESCRIPTION
1	-	GENERAL NOTES & GLAZING DETAILS
2	-	ELEVATIONS & ANCHOR LAYOUTS
3	-	VERTICAL SECTIONS
4	-	HORIZONTAL SECTIONS
5	-	ANCHOR DETAILS & SCHEDULE & INSTALLATION NOTES
6	-	COMPONENTS
7	-	BILL OF MATERIALS

WINDOW TYPE	OVERALL FRAME SIZE		OVERALL D.L.O. DIMENSION		GLASS TYPE	DESIGN PRESSURE (PSF)	
	WIDTH (IN.)	HEIGHT (IN.)	WIDTH (IN.)	HEIGHT (IN.)		POS.	NEG.
SINGLE	72.0	36.0	64.62	29.62	G1	+65	-65

NOTE:

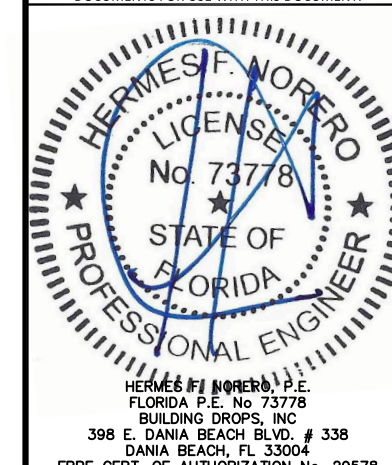
- GLASS CAPACITIES ON THIS SHEET ARE BASED ON ASTM E1300 (3 SEC. GUSTS) DESIGN PRESSURES HAVE BEEN DETERMINED SIZES OTHER THAN TESTED.
- SETTING BLOCK SHOULD BE 70-90 DUROMETER AS PER CH 24 OF THE CURRENT FBC.
- GLASS LITES THAT EXCEED 36" IN WIDTH SHALL USE SETTING BLOCKS AT $\frac{1}{4}$ SPAN FROM CORNERS AS PER CH 24 OF CURRENT FBC.



TITLE: INSWING TRANSOM WINDOW
GENERAL NOTES & GLAZING DETAILS
PREPARED BY: BUILDING DROPS, INC.
398 E. DANIA BEACH BLVD., STE. 338
DANIA BEACH, FL 33004
PH: (954) 399-8478
FAX: (954) 744-4738
WEB: www.buildingdrops.com

REMARKS	BY	DATE
6TH FBC EDITION	FM	10/17

THE INSTALLATION DETAILS DESCRIBED HEREIN ARE GENERIC AND MAY NOT REFLECT ACTUAL CONDITIONS FOR A SPECIFIC SITE. IF SITE CONDITIONS CAUSE INSTALLATION TO DEVIATE FROM THE REQUIREMENTS DETAILED HEREIN, A LICENSED ENGINEER OR ARCHITECT SHALL PREPARE SITE SPECIFIC DOCUMENTS FOR USE WITH THIS DOCUMENT.



FL #:
FL24230

DATE: **10.16.17**

DWG. BY: **RV** CHK. BY: **HFN**

SCALE: **NTS**

DWG. #: **AWD218**

SHEET
1

1 OF 7



100 FOURTH AVE. NORTH
BAYPORT, MN 55003-1096
PH: (651) 264-5150 FX: (651) 264-5485

TITLE: **INSWING TRANSOM WINDOW**

ELEVATIONS & ANCHOR LAYOUTS

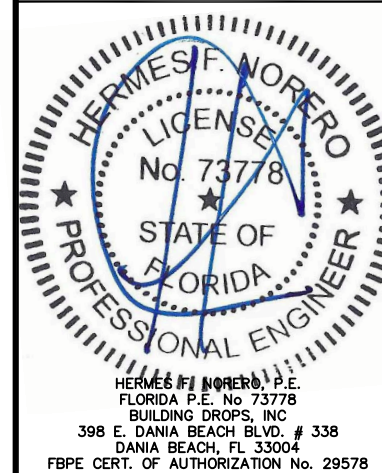
PREPARED BY:

BUILDING DROPS, INC.
398 E. DANIA BEACH BLVD., STE. 338
DANIA BEACH, FL 33004
PH: (954) 399-8478
FAX: (954) 744-4738
WEB: www.buildingdrops.com



REMARKS	BY	DATE
6TH FBC EDITION	FM	10/17

THE INSTALLATION DETAILS DESCRIBED HEREIN ARE GENERIC AND MAY NOT REFLECT ACTUAL CONDITIONS FOR A SPECIFIC SITE. IF SITE CONDITIONS CAUSE INSTALLATION TO DEVIATE FROM THE REQUIREMENTS DETAILED HEREIN, A LICENSED ENGINEER OR ARCHITECT SHALL PREPARE SITE SPECIFIC DOCUMENTS FOR USE WITH THIS DOCUMENT.



FL #: **FL24230**

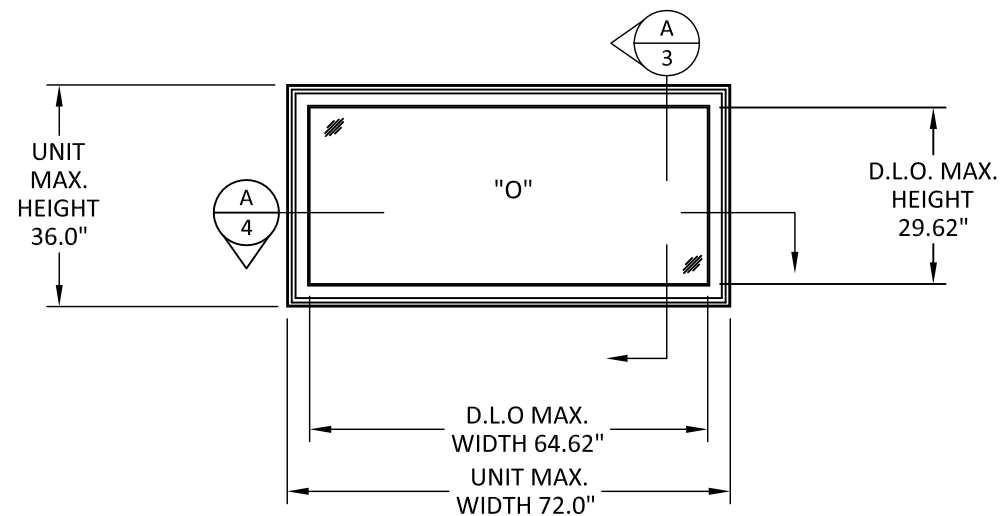
DATE: **10.16.17**

DWG. BY: **RV** CHK. BY: **HFN**

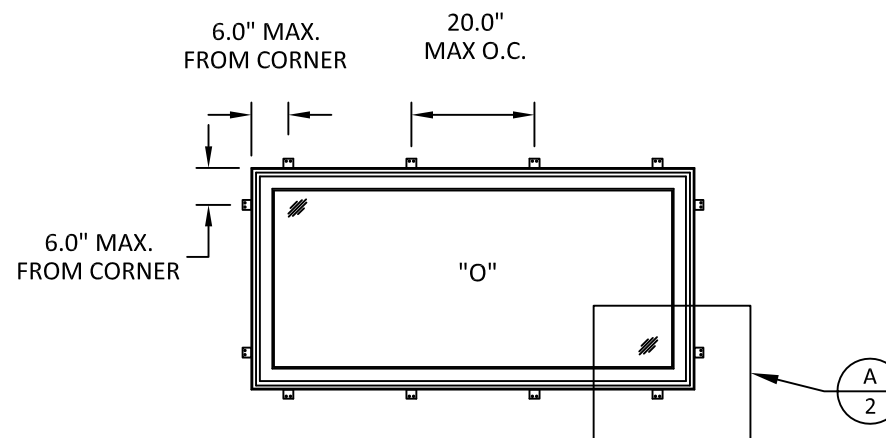
SCALE: **NTS**

DWG. #: **AWD218**

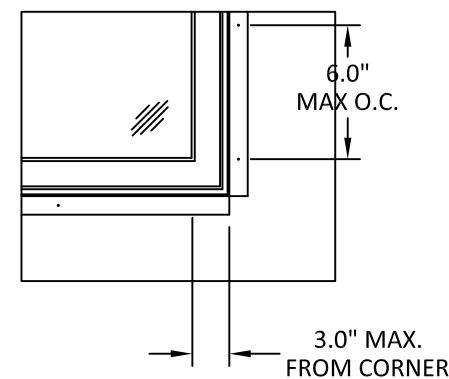
SHEET **2**



ELEVATION



ANCHOR LAYOUT THROUGH FRAME



ANCHOR LAYOUT NAIL FIN

s:\projects\andersen windows\fbc-18-1154-fbc-submittal - e-series casement, awning, dh & fixed windows, non-impact (flange installation option)\dwgs\1x\awd218-series 05 inswing transom-impact (lwhz)\awd218 - e-series series 5 transom non impact.dwg 2/21/2019 8:39 PM

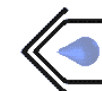


100 FOURTH AVE. NORTH
BAYPORT, MN 55003-1096
PH: (651) 264-5150 FX: (651) 264-5485

TITLE:
INSWING TRANSOM WINDOW

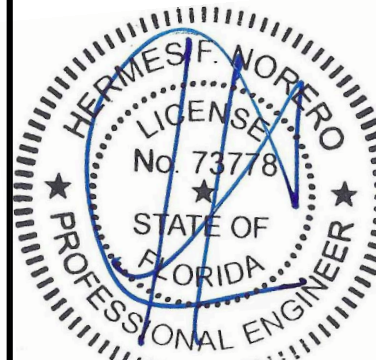
VERTICAL SECTIONS

PREPARED BY:
BUILDING DROPS, INC.
398 E. DANIA BEACH BLVD., STE. 338
DANIA BEACH, FL 33004
PH: (954) 399-8478
FAX: (954) 744-4738
WEB: www.buildingdrops.com



REMARKS	BY	DATE
6TH FBC EDITION	FM	10/17

THE INSTALLATION DETAILS DESCRIBED HEREIN ARE GENERIC AND MAY NOT REFLECT ACTUAL CONDITIONS FOR A SPECIFIC SITE. IF SITE CONDITIONS CAUSE INSTALLATION TO DEVIATE FROM THE REQUIREMENTS DETAILED HEREIN, A LICENSED ENGINEER OR ARCHITECT SHALL PREPARE SITE SPECIFIC DOCUMENTS FOR USE WITH THIS DOCUMENT.



HERMES F. NORERO, P.E.
FLORIDA P.E. No. 73778
BUILDING DROPS, INC
398 E. DANIA BEACH BLVD. # 338
DANIA BEACH, FL 33004
FBPE CERT. OF AUTHORIZATION No. 29578

FL #: **FL24230**

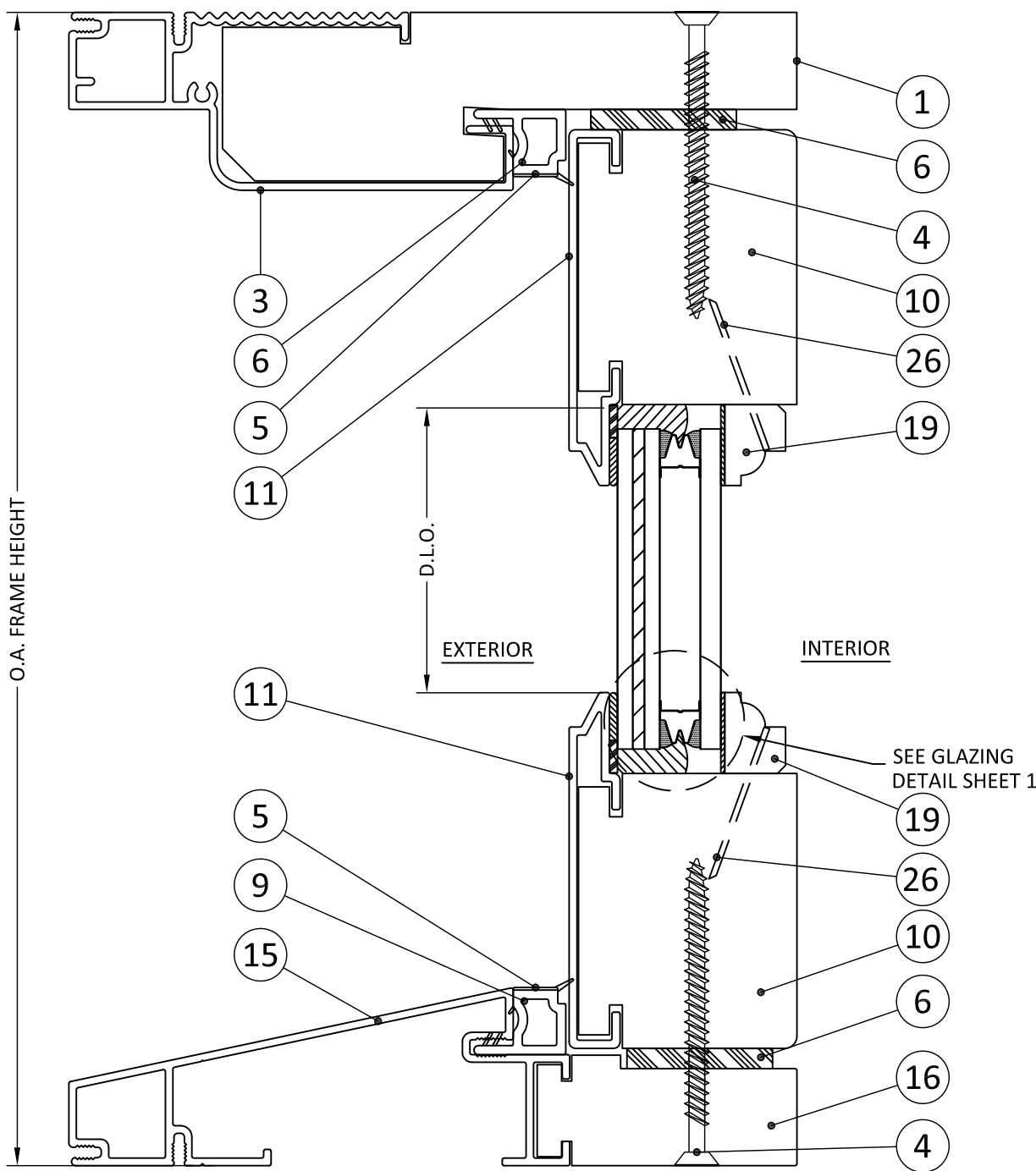
DATE: **10.16.17**

DWG. BY: **RV** CHK. BY: **HFN**

SCALE: **NTS**

DWG. #: **AWD218**

SHEET
3

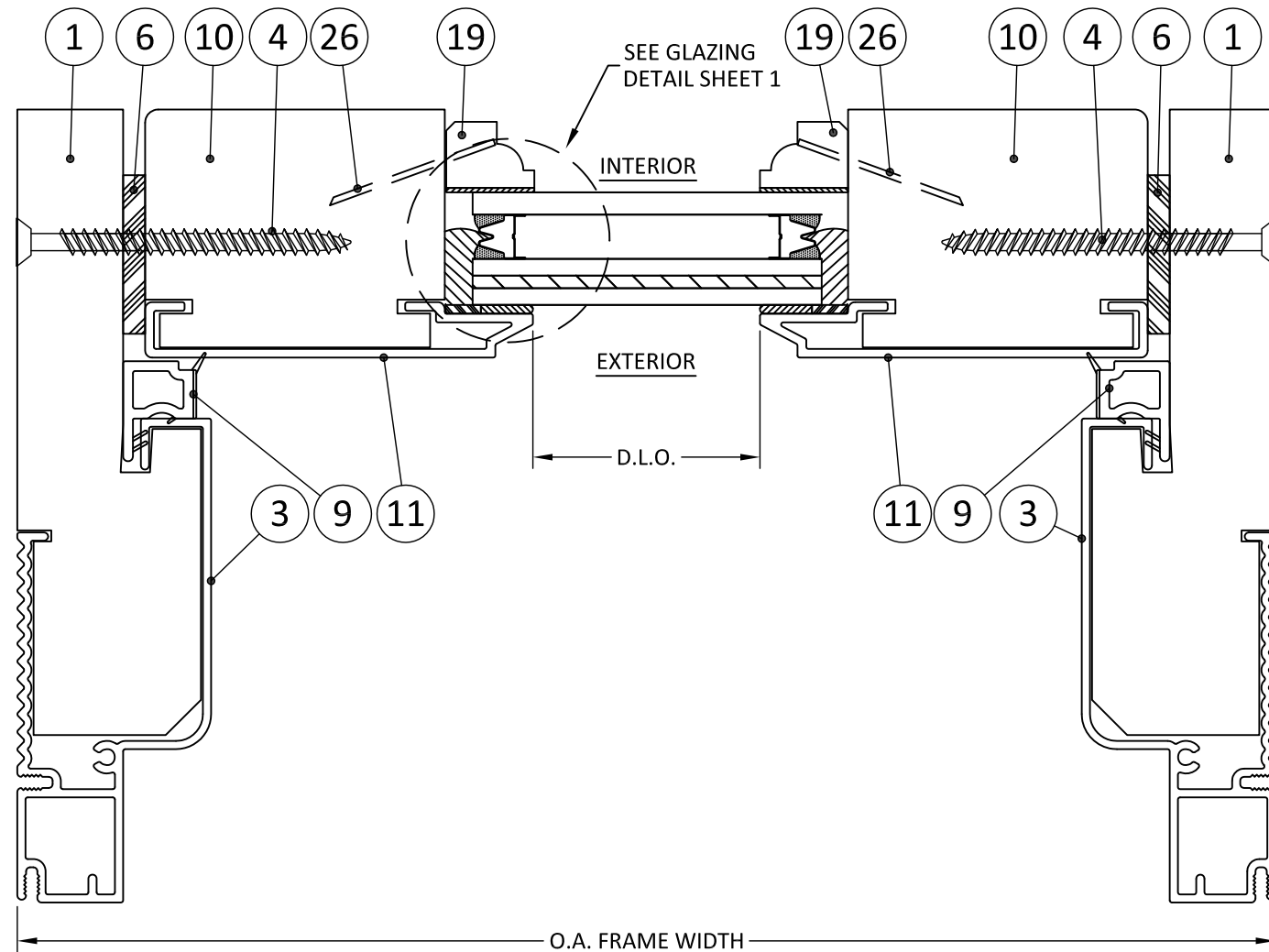


A
3 **VERTICAL SECTION**

s:\projects\andersen windows\fb-18-1154-fbc-submittal - e-series casement, awning, dh & fixed windows, non-impact (flange installation option)\dwgs\1x\awd218-series 05 inswing transom-impact (lwhz)\awd218-e-series series 5 transom non impact.dwg 2/21/2019 8:39 PM



100 FOURTH AVE. NORTH
BAYPORT, MN 55003-1096
PH: (651) 264-5150 FX: (651) 264-5485

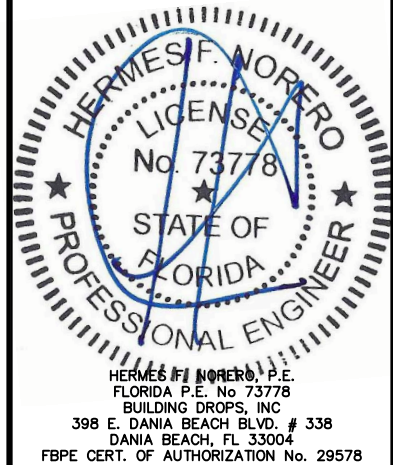


A
4 HORIZONTAL SECTION

TITLE: INSWING TRANSOM WINDOW
HORIZONTAL SECTIONS
PREPARED BY: BUILDING DROPS, INC.
398 E. DANIA BEACH BLVD., STE. 338
DANIA BEACH, FL 33004
PH: (954) 399-8478
FAX: (954) 744-4738
WEB: www.buildingdrops.com

REMARKS	BY	DATE
6TH FBC EDITION	FM	10/17

THE INSTALLATION DETAILS DESCRIBED HEREIN ARE GENERIC AND MAY NOT REFLECT ACTUAL CONDITIONS FOR A SPECIFIC SITE. IF SITE CONDITIONS CAUSE INSTALLATION TO DEVIATE FROM THE REQUIREMENTS DETAILED HEREIN, A LICENSED ENGINEER OR ARCHITECT SHALL PREPARE SITE SPECIFIC DOCUMENTS FOR USE WITH THIS DOCUMENT.

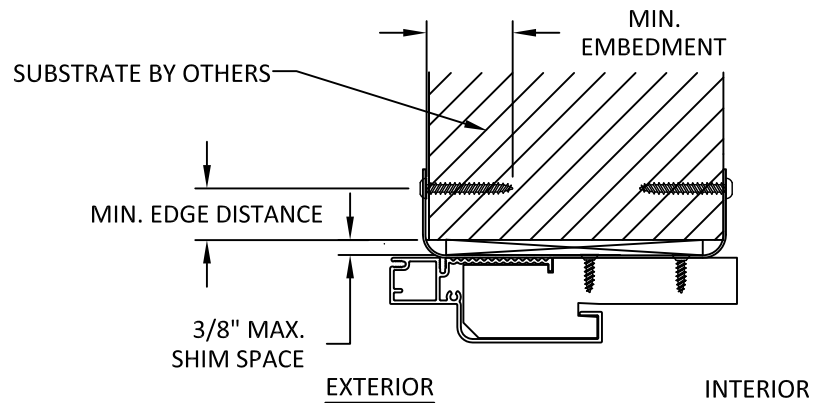


FL #: **FL24230**
DATE: **10.16.17**
DWG. BY: **RV** CHK. BY: **HFN**
SCALE: **NTS**
DWG. #: **AWD218**
SHEET

4

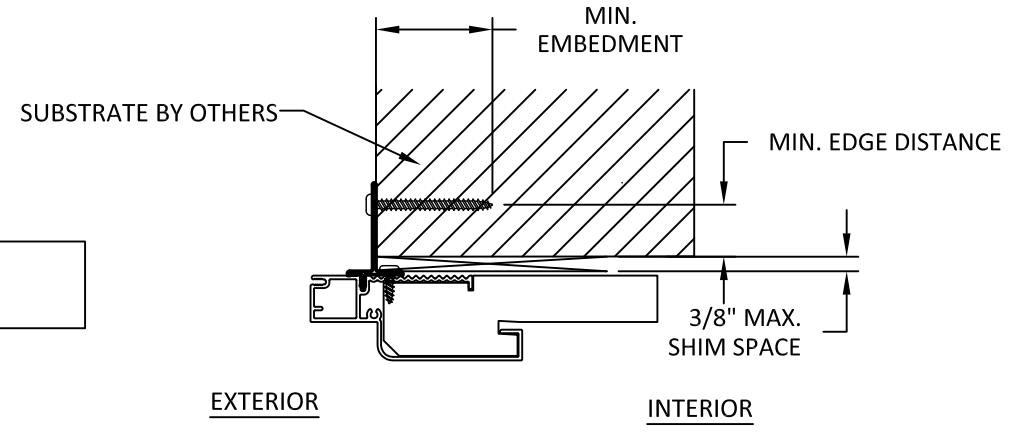
s:\projects\andersen windows\fbc-18-1154-fbc-submittal - e-series casement, awning, dh & fixed windows, non-impact (flange installation option)\dwgs\1x\awd218-series 05 inswing transom-impact (lwhz)\awd218 - e-series series 5 transom non impact.dwg 2/21/2019 8:39 PM

s:\projects\andersen windows\lbc-18-1154-fbc-submittal - e-series casement, awning, dh & fixed windows, non-impact (flange installation option)\dwg\lbc-18-1154-fbc-submittal - e-series casement, awning, dh & fixed windows, non-impact (flange installation option).dwg 2/21/2019 8:39 PM



A
5 **ANCHOR DETAIL**
STRAP ANCHOR (JAMB)

-HEAD AND JAMB HAVE SIMILAR DETAILS

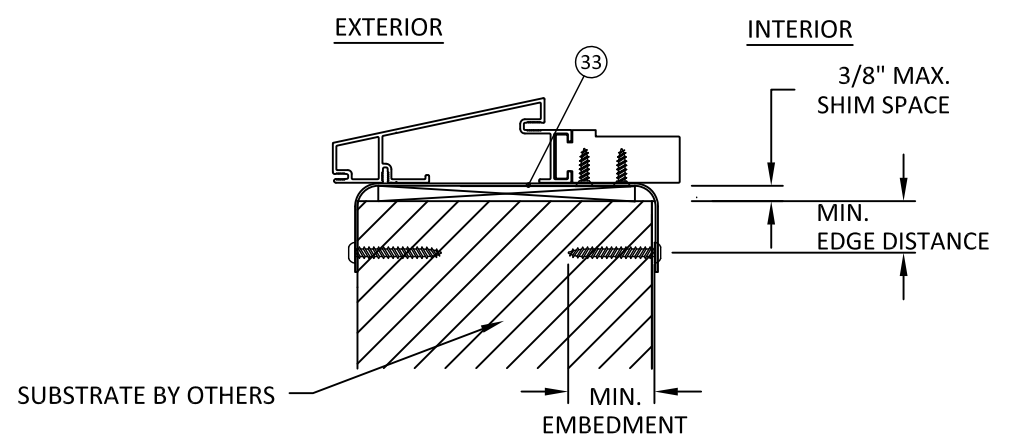


B
5 **ANCHOR DETAIL**
NAIL FIN (JAMB)

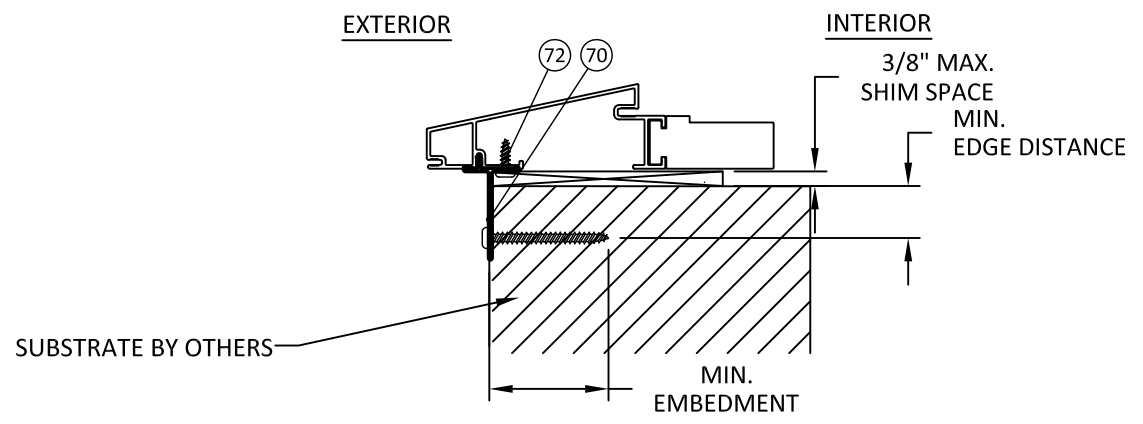
ANCHOR SCHEDULE				
METHOD	SUBSTRATE	ANCHOR SCHEDULE	MIN EMBEDMENT	MIN. EDGE DISTANCE
STRAP ANCHOR	WOOD: MIN. SG = 0.55	#8 WOOD SCREW	1.5"	0.75"
	METAL: 18 GAUGE , MIN. Fy=33KSI	#8 TEK SCREW	3 THREADS MIN PENETRATION BEYOND METAL	0.75"
NAIL FIN	WOOD: MIN. SG = 0.55	#8 WOOD SCREW	1.5"	0.75"
	METAL: 18 GAUGE Steel, MIN. Fy=33KSI	#8 TEK SCREW	3 THREADS MIN PENETRATION BEYOND METAL	0.75"

INSTALLATION NOTES:

- ONE (1) INSTALLATION ANCHOR IS REQUIRED AT EACH ANCHOR LOCATION SHOWN.
- THE NUMBER OF INSTALLATION ANCHORS DEPICTED IS THE MINIMUM NUMBER OF ANCHORS TO BE USED FOR PRODUCT INSTALLATION OF THE MAXIMUM SIZE LISTED.
- INSTALL INDIVIDUAL INSTALLATION ANCHORS WITHIN A TOLERANCE OF ±1/2 INCH THE DEPICTED LOCATION & SPACING IN THE ANCHOR LAYOUT DETAILS (I.E., WITHOUT CONSIDERATION OF TOLERANCES). TOLERANCES ARE NOT CUMULATIVE FROM ONE INSTALLATION ANCHOR TO THE NEXT.
- SHIM AS REQUIRED AT EACH INSTALLATION ANCHOR WITH LOAD BEARING SHIM(S). MAXIMUM ALLOWABLE SHIM STACK TO BE 1/4 INCH. SHIM WHERE SPACE OF 1/16 INCH OR GREATER OCCURS. SHIM(S) SHALL BE CONSTRUCTED OF HIGH DENSITY PLASTIC OR BETTER.
- MINIMUM EMBEDMENT AND EDGE DISTANCE EXCLUDE WALL FINISHES, INCLUDING BUT NOT LIMITED TO STUCCO, FOAM, BRICK VENEER, AND SIDING.
- INSTALLATION ANCHORS AND ASSOCIATED HARDWARE MUST BE MADE OF CORROSION RESISTANT MATERIAL OR HAVE A CORROSION RESISTANT COATING.
- FOR HOLLOW BLOCK AND GROUT FILLED BLOCK, DO NOT INSTALL INSTALLATION ANCHORS INTO MORTAR JOINTS. EDGE DISTANCE IS MEASURED FROM FREE EDGE OF BLOCK OR EDGE OF MORTAR JOINT INTO FACE SHELL OF BLOCK.
- INSTALLATION ANCHORS SHALL BE INSTALLED IN ACCORDANCE WITH ANCHOR MANUFACTURER'S INSTALLATION INSTRUCTIONS, AND ANCHORS SHALL NOT BE USED IN SUBSTRATES WITH STRENGTHS LESS THAN THE MINIMUM STRENGTH SPECIFIED BY THE ANCHOR MANUFACTURER.



A
5 **ANCHOR DETAIL**
STRAP ANCHOR (SILL)



B
5 **ANCHOR DETAIL**
NAIL FIN (SILL)

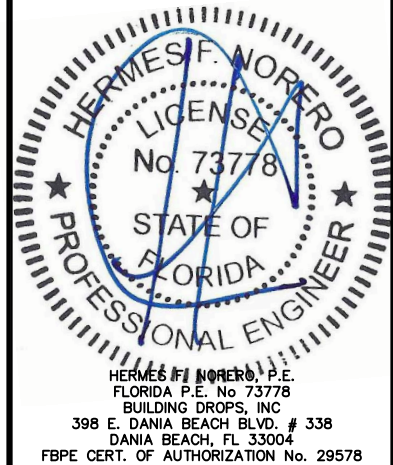


100 FOURTH AVE. NORTH
BAYPORT, MN 55003-1096
PH: (651) 264-5150 FX: (651) 264-5485

TITLE: **INSWING TRANSOM WINDOW**
ANCHOR DETAILS & SCHEDULE & INSTALLATION NOTES
PREPARED BY: **BUILDING DROPS, INC.**
398 E. DANIA BEACH BLVD., STE. 338
DANIA BEACH, FL 33004
PH: (954) 399-8478
FAX: (954) 744-4738
WEB: www.buildingdrops.com

REMARKS	BY	DATE
6TH FBC EDITION	FM	10/17

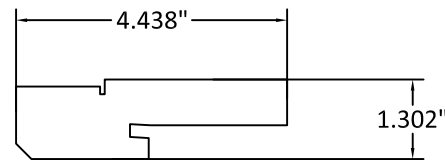
THE INSTALLATION DETAILS DESCRIBED HEREIN ARE GENERIC AND MAY NOT REFLECT ACTUAL CONDITIONS FOR A SPECIFIC SITE. IF SITE CONDITIONS CAUSE INSTALLATION TO DEVIATE FROM THE REQUIREMENTS DETAILED HEREIN, A LICENSED ENGINEER OR ARCHITECT SHALL PREPARE SITE SPECIFIC DOCUMENTS FOR USE WITH THIS DOCUMENT.



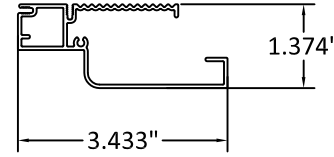
HERMES F. NORERO, P.E.
FLORIDA P.E. No 73778
BUILDING DROPS, INC
398 E. DANIA BEACH BLVD. # 338
DANIA BEACH, FL 33004
FBPE CERT. OF AUTHORIZATION No. 29578

FL #:	FL24230
DATE:	10.16.17
DWG. BY:	RV
CHK. BY:	HFN
SCALE:	NTS
DWG. #:	AWD218
SHEET	5

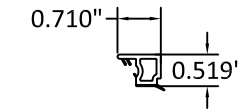
1 FRAME



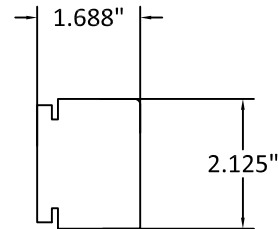
3 FRAME CLADDING



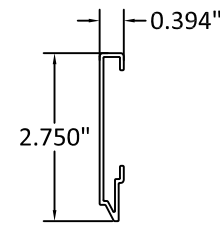
9 SHIM SPACER



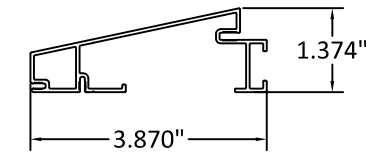
10 TOP RAIL & STILE



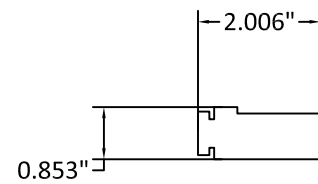
11 TOP RAIL CLADDING



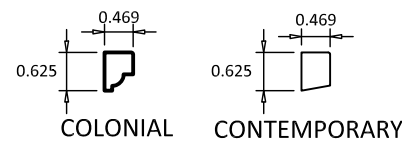
15 TRANSOM SILL



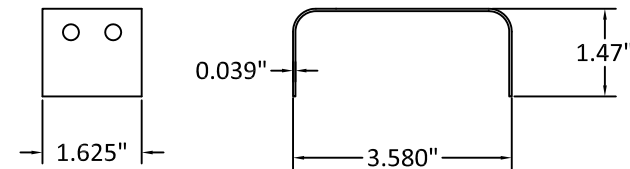
16 TRANSOM SILL TRIM



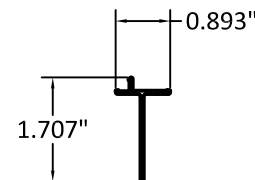
19 GLAZING STOP



33 STRAP ANCHOR



70 NAIL FIN

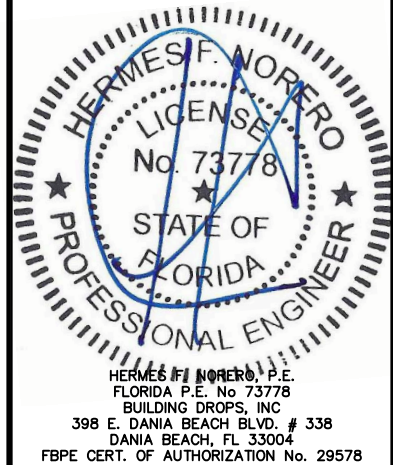


100 FOURTH AVE. NORTH
BAYPORT, MN 55003-1096
PH: (651) 264-5150 FX: (651) 264-5485

TITLE: INSWING TRANSOM WINDOW
COMPONENTS
PREPARED BY: BUILDING DROPS, INC.
398 E. DANIA BEACH BLVD., STE. 338
DANIA BEACH, FL 33004
PH: (954) 399-8478
FAX: (954) 744-4738
WEB: www.buildingdrops.com

REMARKS	BY	DATE
6TH FBC EDITION	FM	10/17

THE INSTALLATION DETAILS DESCRIBED HEREIN ARE GENERIC AND MAY NOT REFLECT ACTUAL CONDITIONS FOR A SPECIFIC SITE. IF SITE CONDITIONS CAUSE INSTALLATION TO DEVIATE FROM THE REQUIREMENTS DETAILED HEREIN, A LICENSED ENGINEER OR ARCHITECT SHALL PREPARE SITE SPECIFIC DOCUMENTS FOR USE WITH THIS DOCUMENT.



HERMES F. NORERO, P.E.
FLORIDA P.E. No. 73778
BUILDING DROPS, INC
398 E. DANIA BEACH BLVD. # 338
DANIA BEACH, FL 33004
FBPE CERT. OF AUTHORIZATION No. 29578

FL #: FL24230

DATE: 10.16.17

DWG. BY: RV CHK. BY: HFN

SCALE: NTS

DWG. #: AWD218

SHEET

6

s:\projects\andersen windows\fb-18-1154-fbc-submittal - e-series casement, awning, dh & fixed windows, non-impact (flange installation option)\dwgs\1x\awd218-series 05 inswing transom-impact (lvhz)\awd218 - e-series series 5 transom non impact.dwg 2/21/2019 8:39 PM

BILL OF MATERIALS

NO.	PART NUMBER	DESCRIPTION	MATERIAL
1	-	FRAME	WOOD
3	-	WALL CLADDING	ALUM.
4	-	#8 X 2-1/8" FHWS	STEEL
5	-	SILICONE SEALANT	SEALANT
6	-	PANEL SHIM	-
9	-	1/8 SDLT SHIM SPACER	-
10	-	2-3/4" RAIL & STILE	WOOD
11	-	2-3/4" RAIL CLADDING	ALUM.
15	-	4-9/16" WALL TRANSOM SILL	ALUM.
16	-	TRANSOM SILL TRIM	WOOD
19	-	GLAZING STOP	WOOD
26	-	1-1/4" 18 GA.HARD STL BRAD	-
27	-	ADHESIVE TAPE	POLYETHYLENE
28	-	GLASS SETTING BLOCK	-
33	-	STRAP ANCHOR	STEEL
34	-	SILICONE SEALANT	SILICONE
36	-	5/8" BETWEEN GLASS MUNTIN	ALUM.
37	-	1" CONTOUR MUNTIN	ALUM.
38	-	1-1/2" INTERIOR COLONIAL MDL BAR	WOOD
39	-	SPACER CHANNEL	ALUM.
40	-	1-1/2" EXTERIOR MDL BAR	ALUM.
41	-	1-1/2" MDL ADHESIVE TAPE (EXTERIOR)	POLYETHYLENE
42	-	1-1/2" MDL ADHESIVE TAPE (INTERIOR)	POLYETHYLENE
43	-	1-1/8" INTERIOR COLONIAL MDL BAR	WOOD
44	-	SPACER CHANNEL	ALUM.
45	-	1-1/8" EXTERIOR MDL BAR	ALUM.
46	-	1-1/8" MDL ADHESIVE TAPE (EXTERIOR)	POLYETHYLENE
47	-	1-1/8" MDL ADHESIVE TAPE (INTERIOR)	POLYETHYLENE
48	-	7/8" INTERIOR COLONIAL MDL BAR	WOOD
49	-	SPACER CHANNEL	ALUM.
50	-	7/8" EXTERIOR MDL BAR	ALUM.
51	-	7/8" MDL ADHESIVE TAPE (EXTERIOR)	POLYETHYLENE
52	-	7/8" MDL ADHESIVE TAPE (INTERIOR)	POLYETHYLENE
53	-	5/8" INTERIOR COLONIAL MDL BAR	WOOD
54	-	SPACER CHANNEL	ALUM.

BILL OF MATERIALS

NO.	PART NUMBER	DESCRIPTION	MATERIAL
55	-	5/8" EXTERIOR MDL BAR	ALUM.
56	-	5/8" MDL ADHESIVE TAPE (EXTERIOR)	POLYETHYLENE
57	-	5/8" MDL ADHESIVE TAPE (INTERIOR)	POLYETHYLENE
70	-	NAIL FIN	ALUM.
72	-	#8 X 1/2" PPH TEK SCREW	STEEL



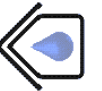
100 FOURTH AVE. NORTH
BAYPORT, MN 55003-1096
PH: (651) 264-5150 FX: (651) 264-5485

TITLE:
INSWING TRANSOM WINDOW

BILL OF MATERIALS

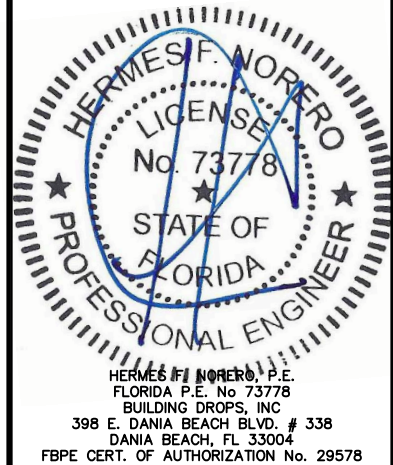
PREPARED BY:
BUILDING DROPS, INC.

398 E. DANIA BEACH BLVD., STE. 338
DANIA BEACH, FL 33004
PH: (954)399-8478
FAX: (954)744-4738
WEB: www.buildingdrops.com



REMARKS	BY	DATE
6TH FBC EDITION	FM	10/17

THE INSTALLATION DETAILS DESCRIBED HEREIN ARE GENERIC AND MAY NOT REFLECT ACTUAL CONDITIONS FOR A SPECIFIC SITE. IF SITE CONDITIONS CAUSE INSTALLATION TO DEVIATE FROM THE REQUIREMENTS DETAILED HEREIN, A LICENSED ENGINEER OR ARCHITECT SHALL PREPARE SITE SPECIFIC DOCUMENTS FOR USE WITH THIS DOCUMENT.



HERMES F. NORERO, P.E.
FLORIDA P.E. No. 73778
BUILDING DROPS, INC
398 E. DANIA BEACH BLVD. # 338
DANIA BEACH, FL 33004
FBPE CERT. OF AUTHORIZATION No. 29578

FL #:	FL24230
DATE:	10.16.17
DWG. BY:	RV
CHK. BY:	HFN
SCALE:	NTS
DWG. #:	AWD218
SHEET	7

s:\projects\andersen windows\fbc-18-1154-fbc-submittal - e-series casement, awning, dh & fixed windows, non-impact (flange installation option)\dwgs\1x\awd218-series 05 inswing transom-impact (whz)\awd218 - e-series series 5 transom non impact.dwg 2/21/2019 8:39 PM