

ANDERSEN CORPORATION

E-SERIES DOUBLE HUNG WINDOW (HVHZ) (IMPACT)



100 FOURTH AVE. NORTH
BAYPORT, MN 55003-1096
PH: (651) 264-5150 FX: (651) 264-5485

GENERAL NOTES:

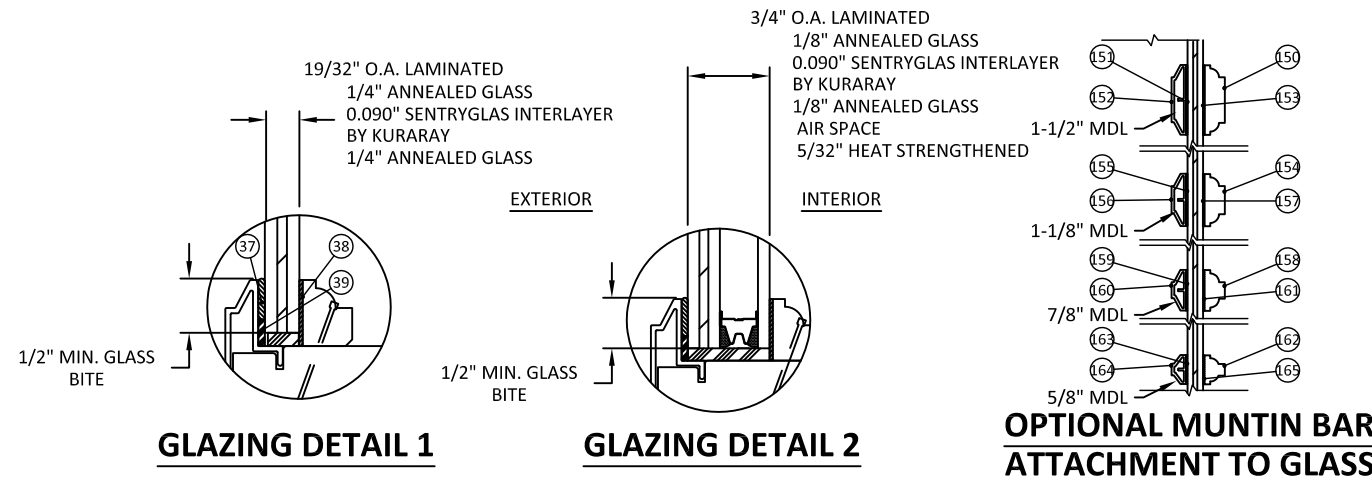
- THE PRODUCT SHOWN HEREIN IS DESIGNED AND MANUFACTURED TO COMPLY WITH THE CURRENT EDITION FLORIDA BUILDING CODE (FBC), INCLUDING HVHZ AND HAS BEEN EVALUATED ACCORDING TO THE FOLLOWING:
 - TAS201
 - TAS202
 - TAS203
- ADEQUACY OF THE EXISTING STRUCTURAL CONCRETE/MASONRY, 2X FRAMING, AND METAL FRAMING AS A MAIN WIND FORCE RESISTING SYSTEM CAPABLE OF WITHSTANDING AND TRANSFERRING APPLIED PRODUCT LOADS TO THE FOUNDATION IS THE RESPONSIBILITY OF THE ENGINEER OR ARCHITECT OF RECORD FOR THE PROJECT OF INSTALLATION.
- 1X AND 2X BUCKS (WHEN USED) SHALL BE DESIGNED AND ANCHORED TO PROPERLY TRANSFER ALL LOADS TO THE STRUCTURE. BUCK DESIGN AND INSTALLATION IS THE RESPONSIBILITY OF THE ENGINEER OR ARCHITECT OF RECORD FOR THE PROJECT OF INSTALLATION.
- THE INSTALLATION DETAILS DESCRIBED HEREIN ARE GENERIC AND MAY NOT REFLECT ACTUAL CONDITIONS FOR A SPECIFIC SITE. IF SITE CONDITIONS CAUSE INSTALLATION TO DEVIATE FROM THE REQUIREMENTS DETAILED HEREIN, A LICENSED ENGINEER OR ARCHITECT SHALL PREPARE SITE SPECIFIC DOCUMENTS FOR USE WITH THIS DOCUMENT IN NON-HVHZ AREAS. IN HVHZ AREAS, ONE TIME PRODUCT APPROVAL TO BE OBTAINED FROM MIAMI-DADE RER OR AHJ.
- APPROVED IMPACT PROTECTIVE SYSTEM **IS NOT REQUIRED** ON THIS PRODUCT IN AREAS REQUIRING IMPACT RESISTANCE.
- WINDOW FRAME MATERIAL: PVC
- GLASS MEETS THE REQUIREMENTS OF ASTM E 1300 GLASS CHARTS. SEE SHEET 1 FOR GLAZING DETAILS.

TABLE OF CONTENTS		
SHEET	REVISION	SHEET DESCRIPTION
1	-	GENERAL NOTES & GLAZING DETAILS
2	-	ELEVATIONS & ANCHOR LAYOUTS
3	-	VERTICAL SECTIONS
4	-	HORIZONTAL SECTIONS
5	-	ANCHOR DETAILS & INSTALLATION NOTES
6	-	ANCHOR DETAILS & SCHEDULE
7	-	COMPONENTS
8	-	COMPONENTS & BILL OF MATERIALS

WINDOW TYPE	OVERALL FRAME SIZE		OVERALL D.L.O. DIMENSION		GLASS TYPE	DESIGN PRESSURE (PSF)	
	WIDTH (IN.)	HEIGHT (IN.)	WIDTH (IN.)	HEIGHT (IN.)		POS.	NEG.
SINGLE	60.0	78.0	52.93	69.78	G1	+55	-65
SINGLE	60.0	78.0	52.93	69.78	G2	+55	-65
SINGLE	48.0	24.0	40.93	17.81	G1	+55	-65
SINGLE	48.0	24.0	40.93	17.81	G2	+55	-65

NOTE:

- GLASS CAPACITIES ON THIS SHEET ARE BASED ON ASTM E1300 (3 SEC. GUSTS) DESIGN PRESSURES HAVE BEEN DETERMINED SIZES OTHER THAN TESTED.
- SETTING BLOCK SHOULD BE 70-90 DUROMETER AS PER CH 24 OF THE CURRENT FBC.
- GLASS LITES THAT EXCEED 36" IN WIDTH SHALL USE SETTING BLOCKS AT 1/4 SPAN FROM CORNERS AS PER CH 24 OF CURRENT FBC.



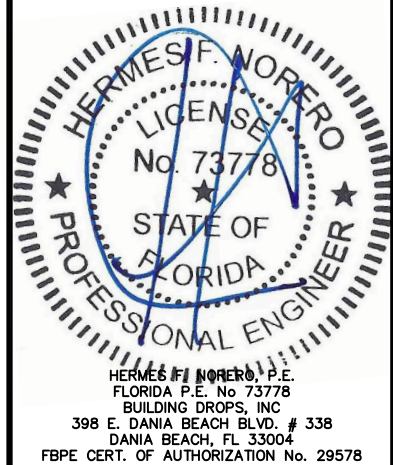
TITLE: E-SERIES DOUBLE HUNG WINDOW (HVHZ) (IMPACT)

GENERAL NOTES & GLAZING DETAILS

PREPARED BY: BUILDING DROPS, INC.
398 E. DANIA BEACH BLVD., STE. 338
DANIA BEACH, FL 33004
PH: (954)399-8478
FAX: (954)744-4738
WEB: www.buildingdrops.com

REMARKS	BY	DATE
6TH FBC EDITION	FM	10/17

THE INSTALLATION DETAILS DESCRIBED HEREIN ARE GENERIC AND MAY NOT REFLECT ACTUAL CONDITIONS FOR A SPECIFIC SITE. IF SITE CONDITIONS CAUSE INSTALLATION TO DEVIATE FROM THE REQUIREMENTS DETAILED HEREIN, A LICENSED ENGINEER OR ARCHITECT SHALL PREPARE SITE SPECIFIC DOCUMENTS FOR USE WITH THIS DOCUMENT.



FL #:

FL24230

DATE: 10.13.17

DWG. BY: RV CHK. BY: HFN

SCALE: NTS

DWG. #: AWD215

SHEET

1

1 OF 8

s:\projects\andersen windows\fb-18-1154-fbc-submittal - e-series casement, awning, dh & fixed windows, non-impact (flange installation option)\dwg\1x\awd215-series 07 double hung impact (hvhz)\awd215 - e-series series 7 double hung impact hvhz.dwg 2/21/2019 8:27 PM



100 FOURTH AVE. NORTH
BAYPORT, MN 55003-1096
PH: (651) 264-5150 FX: (651) 264-5485

TITLE:
E-SERIES DOUBLE HUNG WINDOW (HVHZ) (IMPACT)

ELEVATIONS & ANCHOR LAYOUTS

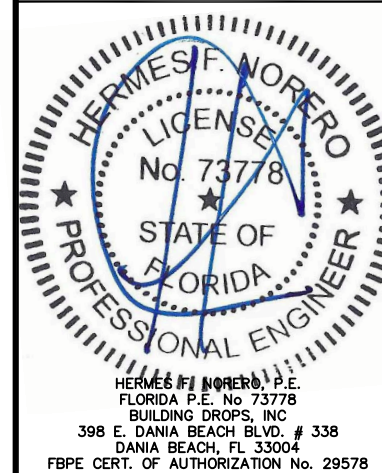
PREPARED BY:

BUILDING DROPS, INC.
398 E. DANIA BEACH BLVD., STE. 338
DANIA BEACH, FL 33004
PH: (954) 399-8478
FAX: (954) 744-4738
WEB: www.buildingdrops.com

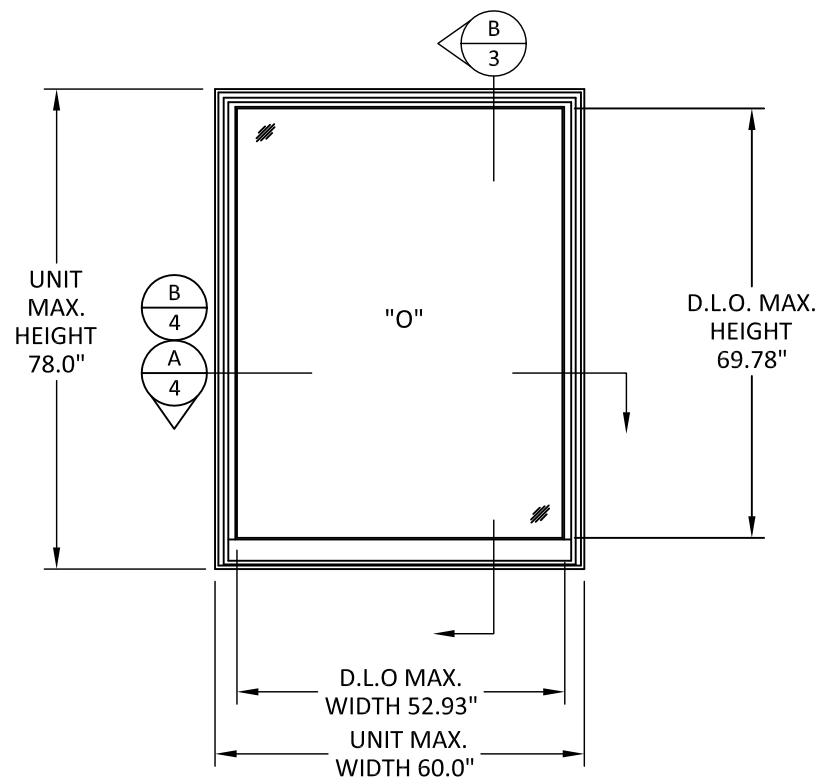


REMARKS	BY	DATE
6TH FBC EDITION	FM	10/17

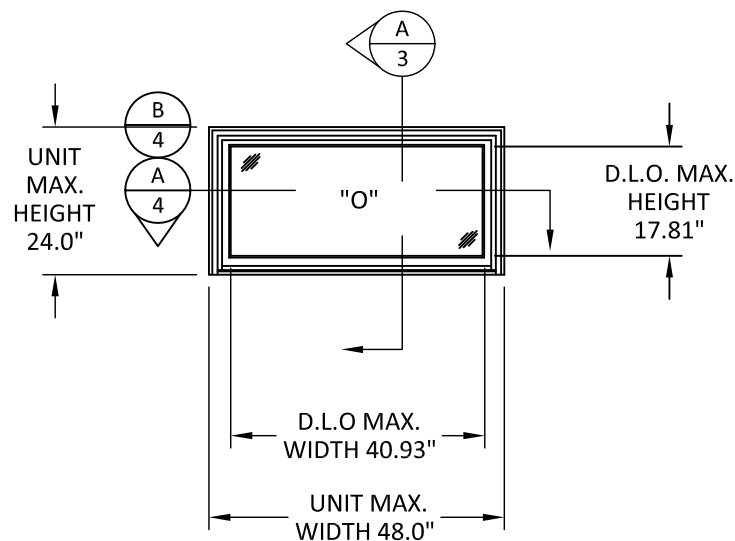
THE INSTALLATION DETAILS DESCRIBED HEREIN ARE GENERIC AND MAY NOT REFLECT ACTUAL CONDITIONS FOR A SPECIFIC SITE. IF SITE CONDITIONS CAUSE INSTALLATION TO DEVIATE FROM THE REQUIREMENTS DETAILED HEREIN, A LICENSED ENGINEER OR ARCHITECT SHALL PREPARE SITE SPECIFIC DOCUMENTS FOR USE WITH THIS DOCUMENT.



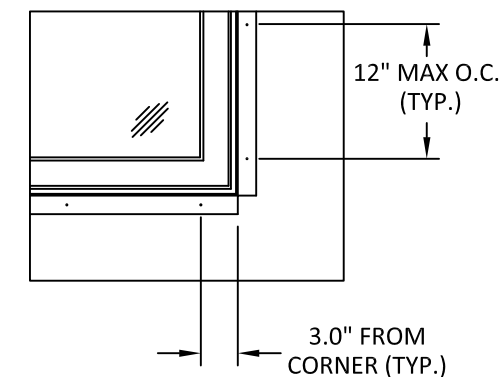
FL #:	FL24230
DATE:	10.13.17
DWG. BY:	RV
CHK. BY:	HFN
SCALE:	NTS
DWG. #:	AWD215
SHEET	2



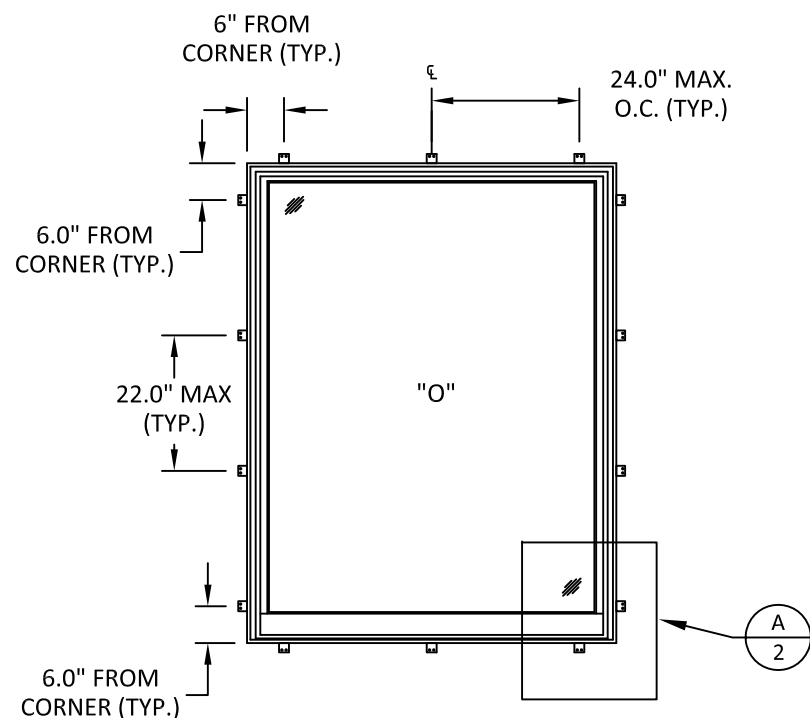
ELEVATION



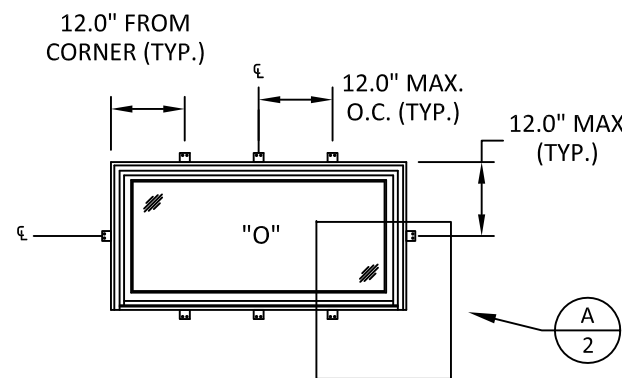
ELEVATION



A 2 ANCHOR LAYOUT
NAIL FIN



ANCHOR LAYOUT THROUGH FRAME



ANCHOR LAYOUT THROUGH FRAME

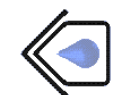


100 FOURTH AVE. NORTH
BAYPORT, MN 55003-1096
PH: (651) 264-5150 FX: (651) 264-5485

TITLE:
E-SERIES DOUBLE HUNG WINDOW (HVHZ) (IMPACT)

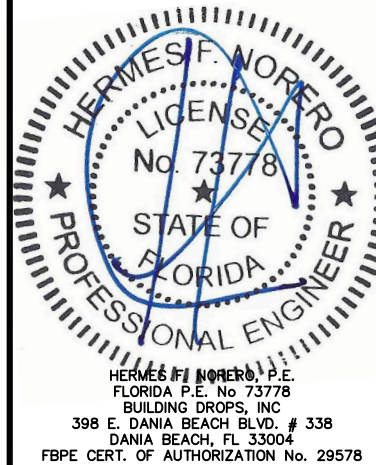
VERTICAL SECTIONS

PREPARED BY:
BUILDING DROPS, INC.
398 E. DANIA BEACH BLVD., STE. 338
DANIA BEACH, FL 33004
PH: (954) 399-8478
FAX: (954) 744-4738
WEB: www.buildingdrops.com



REMARKS	BY	DATE
6TH FBC EDITION	FM	10/17

THE INSTALLATION DETAILS DESCRIBED HEREIN ARE GENERIC AND MAY NOT REFLECT ACTUAL CONDITIONS FOR A SPECIFIC SITE. IF SITE CONDITIONS CAUSE INSTALLATION TO DEVIATE FROM THE REQUIREMENTS DETAILED HEREIN, A LICENSED ENGINEER OR ARCHITECT SHALL PREPARE SITE SPECIFIC DOCUMENTS FOR USE WITH THIS DOCUMENT.



HERMES F. NORERO, P.E.
FLORIDA P.E. No. 73778
BUILDING DROPS, INC.
398 E. DANIA BEACH BLVD. # 338
DANIA BEACH, FL 33004
FBPE CERT. OF AUTHORIZATION No. 29578

FL #:
FL24230

DATE: **10.13.17**

DWG. BY: **RV** CHK. BY: **HFN**

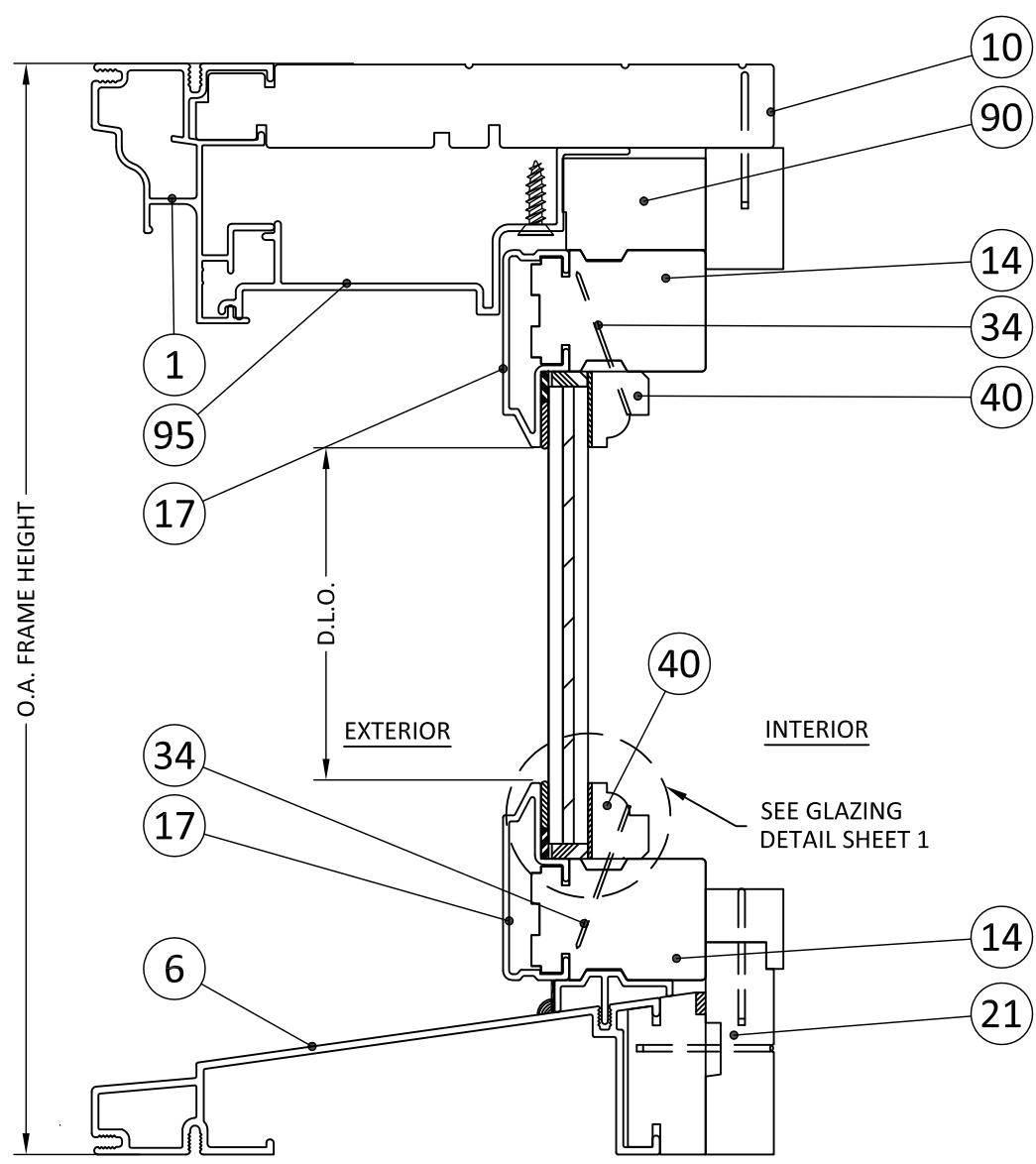
SCALE: **NTS**

DWG. #: **AWD215**

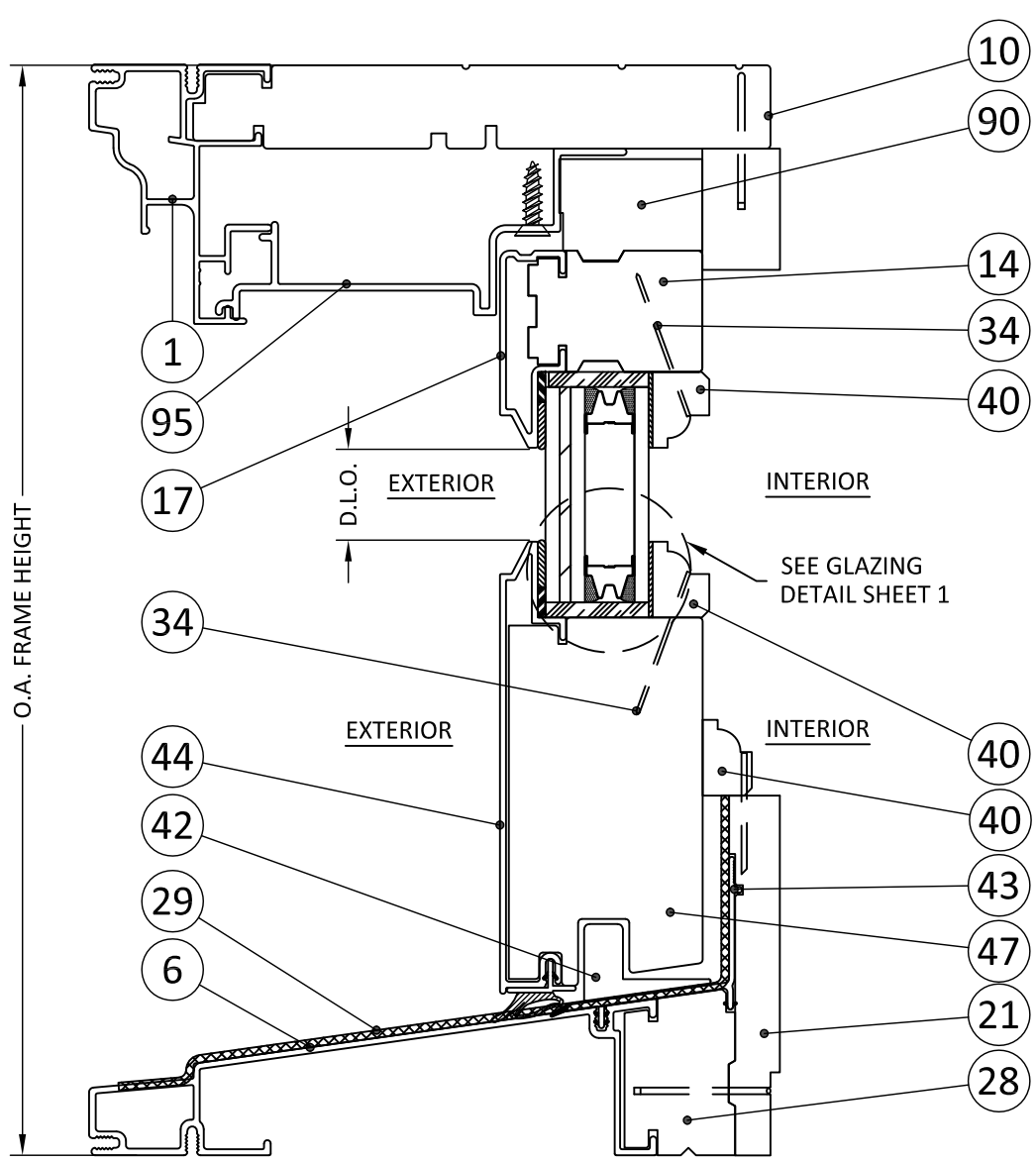
SHEET

3

3 OF 8



A
3 **VERTICAL SECTION**
LAMINATED



B
3 **VERTICAL SECTION**
I.G.

s:\projects\andersen windows\fb-18-1154-fbc-submittal - e-series casement, awning, dh & fixed windows, non-impact (flange installation option)\dwgs\1x\awd215-series 07 double hung-impact (hvhz)\awd215 - e-series series 7 double hung-impact hvhz.dwg 2/21/2019 8:27 PM



100 FOURTH AVE. NORTH
BAYPORT, MN 55003-1096
PH: (651) 264-5150 FX: (651) 264-5485

TITLE:
E-SERIES DOUBLE HUNG WINDOW (HVHZ) (IMPACT)

HORIZONTAL SECTIONS

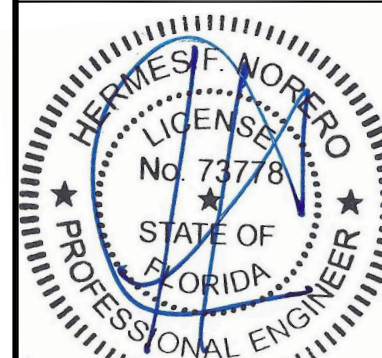
PREPARED BY:
BUILDING DROPS, INC.

398 E. DANIA BEACH BLVD., STE. 338
DANIA BEACH, FL 33004
PH: (954) 399-8478
FAX: (954) 744-4738
WEB: www.buildingdrops.com



REMARKS	BY	DATE
6TH FBC EDITION	FM	10/17

THE INSTALLATION DETAILS DESCRIBED HEREIN ARE GENERIC AND MAY NOT REFLECT ACTUAL CONDITIONS FOR A SPECIFIC SITE. IF SITE CONDITIONS CAUSE INSTALLATION TO DEVIATE FROM THE REQUIREMENTS DETAILED HEREIN, A LICENSED ENGINEER OR ARCHITECT SHALL PREPARE SITE SPECIFIC DOCUMENTS FOR USE WITH THIS DOCUMENT.



HERMES F. NORERO, P.E.
FLORIDA P.E. No. 73778
BUILDING DROPS, INC
398 E. DANIA BEACH BLVD. # 338
DANIA BEACH, FL 33004
FBPE CERT. OF AUTHORIZATION No. 29578

FL #:
FL24230

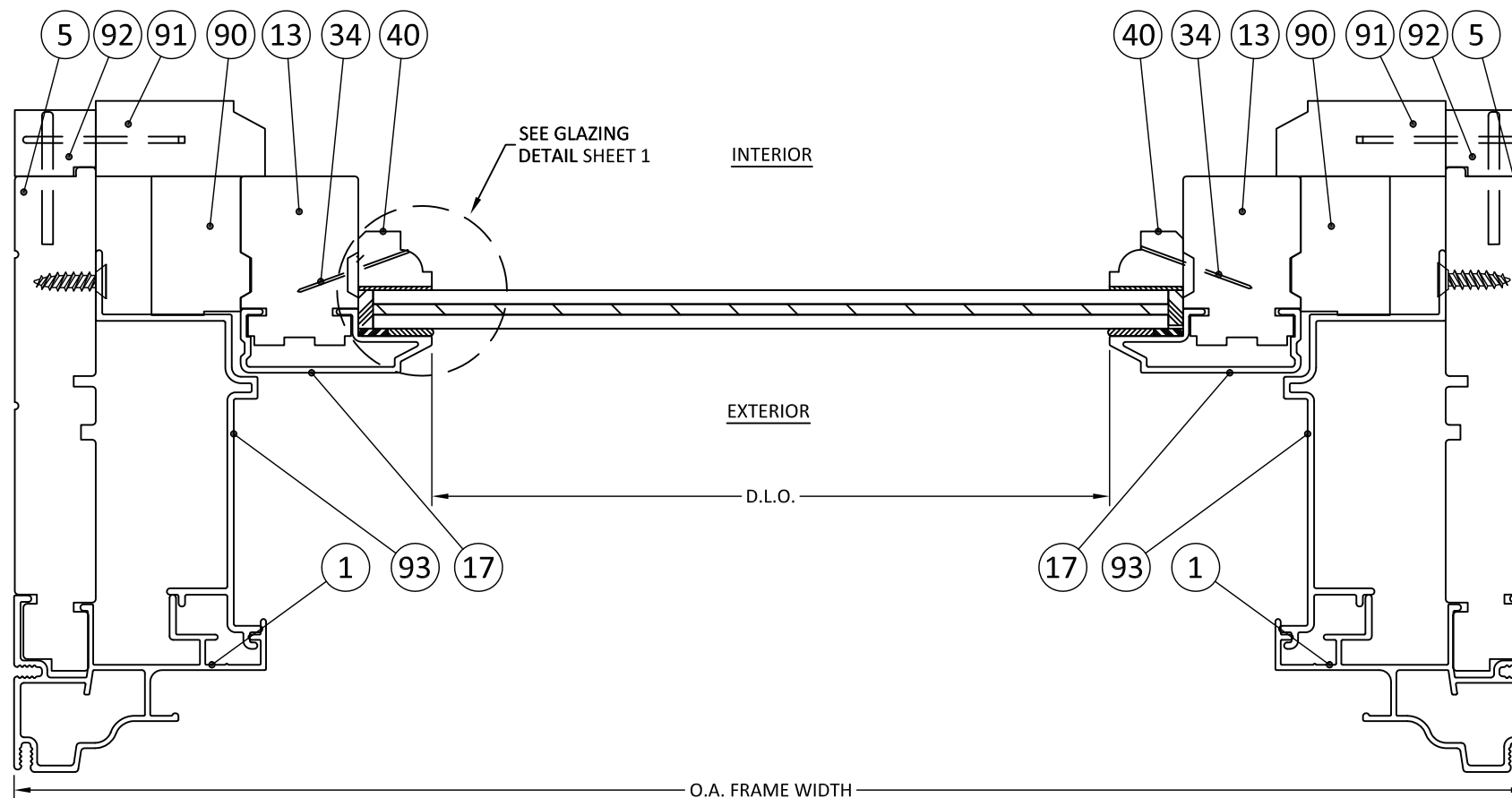
DATE: **10.13.17**

DWG. BY: **RV** CHK. BY: **HFN**

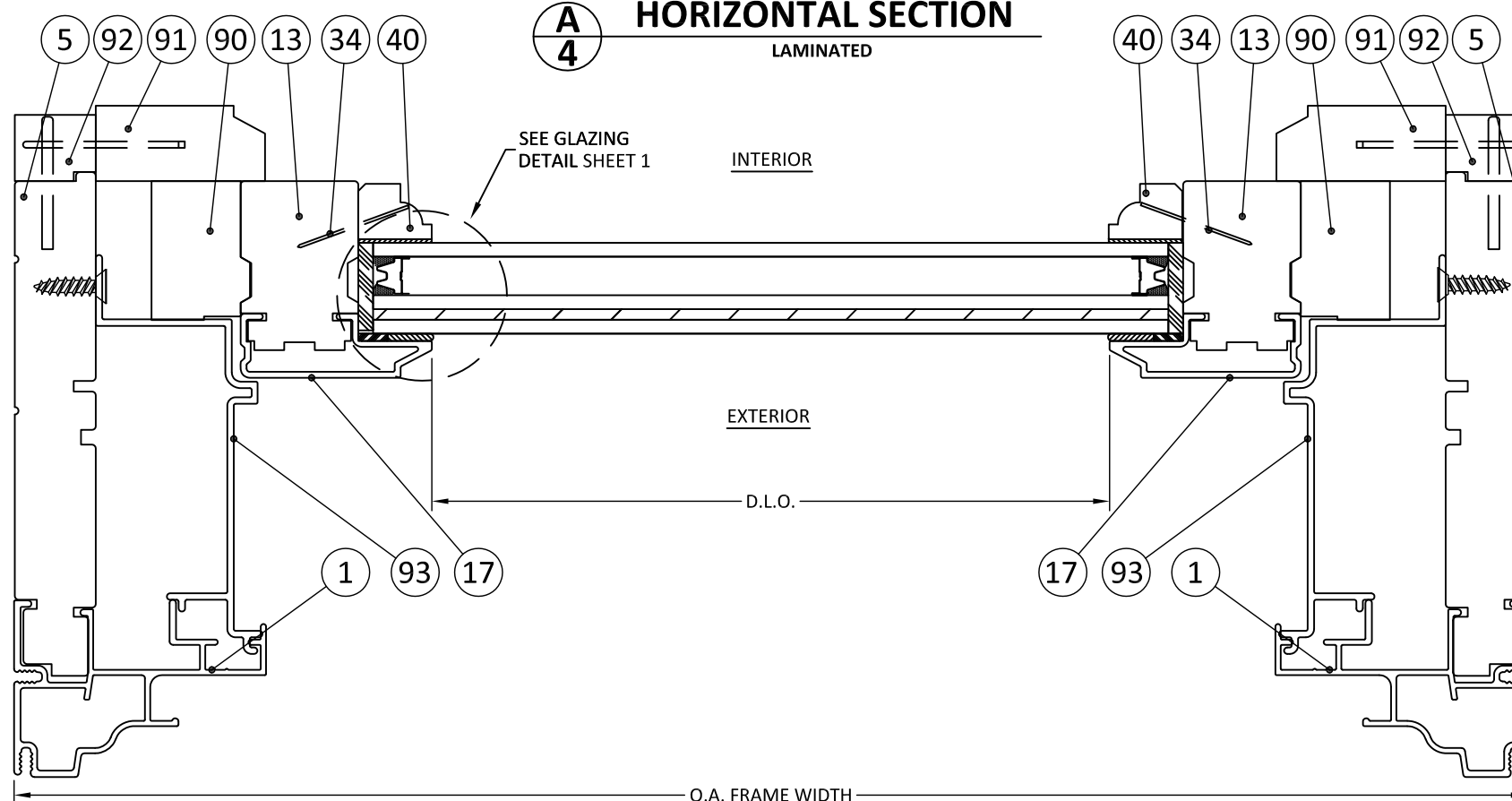
SCALE: **NTS**

DWG. #: **AWD215**

SHEET
4



A
4 **HORIZONTAL SECTION**
LAMINATED



B
4 **HORIZONTAL SECTION**
I.G.

s:\projects\andersen windows\fb-18-1154-fbc-submittal - e-series casement, awning, dh & fixed windows, non-impact (flange installation option)\dwgs\1x\awd215-series 07 double hung impact (hvhz)\awd215 - e-series series 7 double hung impact hvhz.dwg 2/21/2019 8:28 PM



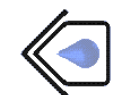
100 FOURTH AVE. NORTH
BAYPORT, MN 55003-1096
PH: (651) 264-5150 FX: (651) 264-5485

TITLE:
E-SERIES DOUBLE HUNG WINDOW (HVHZ) (IMPACT)

ANCHOR DETAILS & INSTALLATION NOTES

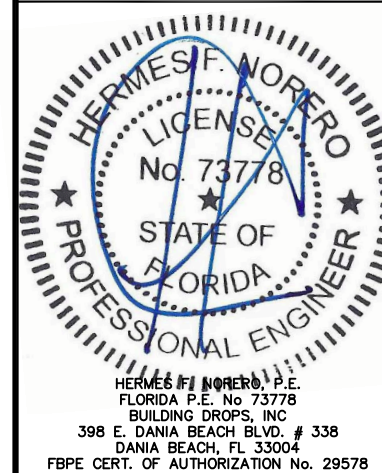
PREPARED BY:
BUILDING DROPS, INC.

398 E. DANIA BEACH BLVD., STE. 338
DANIA BEACH, FL 33004
PH: (954) 399-8478
FAX: (954) 744-4738
WEB: www.buildingdrops.com



REMARKS	BY	DATE
6TH FBC EDITION	FM	10/17

THE INSTALLATION DETAILS DESCRIBED HEREIN ARE GENERIC AND MAY NOT REFLECT ACTUAL CONDITIONS FOR A SPECIFIC SITE. IF SITE CONDITIONS CAUSE INSTALLATION TO DEVIATE FROM THE REQUIREMENTS DETAILED HEREIN, A LICENSED ENGINEER OR ARCHITECT SHALL PREPARE SITE SPECIFIC DOCUMENTS FOR USE WITH THIS DOCUMENT.



HERMES F. NORERO, P.E.
FLORIDA P.E. No. 73778
BUILDING DROPS, INC
398 E. DANIA BEACH BLVD. # 338
DANIA BEACH, FL 33004
FBPE CERT. OF AUTHORIZATION No. 29578

FL #: **FL24230**

DATE: **10.13.17**

DWG. BY: **RV** CHK. BY: **HFN**

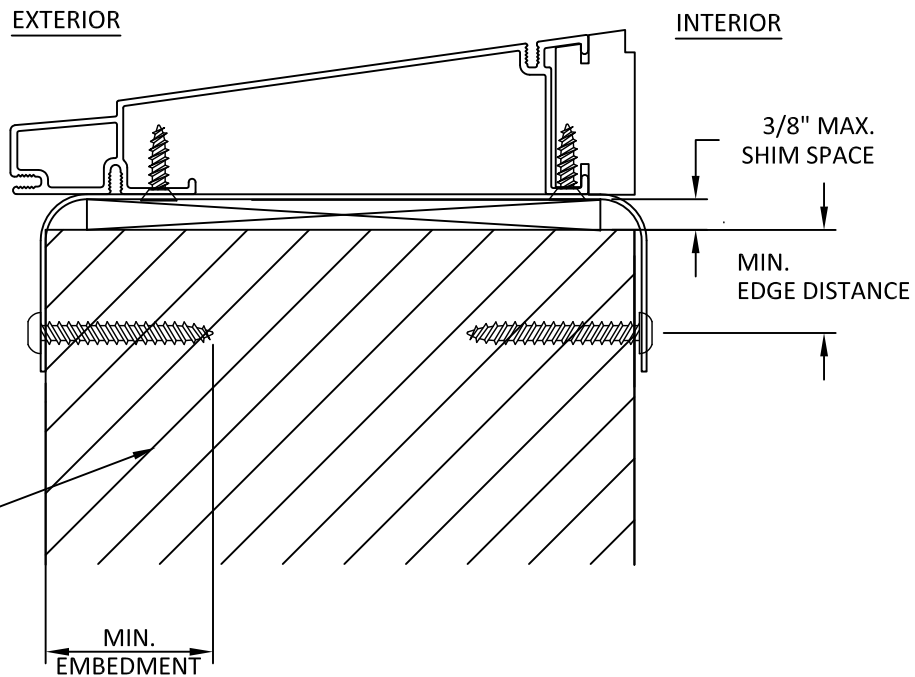
SCALE: **NTS**

DWG. #: **AWD215**

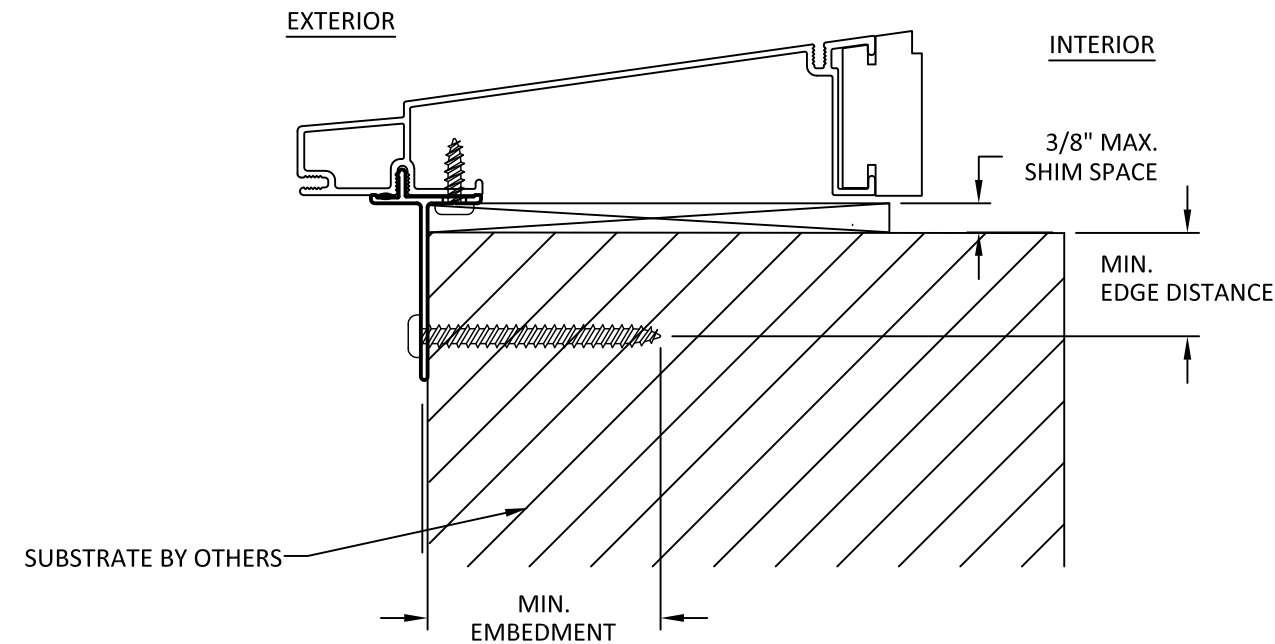
SHEET

5

5 OF 8



A
5
ANCHOR DETAIL
STRAP ANCHOR (SILL)



B
5
ANCHOR DETAIL
NAIL FIN (SILL)

INSTALLATION NOTES:

- ONE (1) INSTALLATION ANCHOR IS REQUIRED AT EACH ANCHOR LOCATION SHOWN.
- THE NUMBER OF INSTALLATION ANCHORS DEPICTED IS THE MINIMUM NUMBER OF ANCHORS TO BE USED FOR PRODUCT INSTALLATION OF THE MAXIMUM SIZE LISTED.
- INSTALL INDIVIDUAL INSTALLATION ANCHORS WITHIN A TOLERANCE OF ±1/2 INCH THE DEPICTED LOCATION & SPACING IN THE ANCHOR LAYOUT DETAILS (I.E., WITHOUT CONSIDERATION OF TOLERANCES). TOLERANCES ARE NOT CUMULATIVE FROM ONE INSTALLATION ANCHOR TO THE NEXT.
- SHIM AS REQUIRED AT EACH INSTALLATION ANCHOR WITH LOAD BEARING SHIM(S). MAXIMUM ALLOWABLE SHIM STACK TO BE 1/4 INCH. SHIM WHERE SPACE OF 1/16 INCH OR GREATER OCCURS. SHIM(S) SHALL BE CONSTRUCTED OF HIGH DENSITY PLASTIC OR BETTER.
- MINIMUM EMBEDMENT AND EDGE DISTANCE EXCLUDE WALL FINISHES, INCLUDING BUT NOT LIMITED TO STUCCO, FOAM, BRICK VENEER, AND SIDING.
- INSTALLATION ANCHORS AND ASSOCIATED HARDWARE MUST BE MADE OF CORROSION RESISTANT MATERIAL OR HAVE A CORROSION RESISTANT COATING.
- FOR HOLLOW BLOCK AND GROUT FILLED BLOCK, DO NOT INSTALL INSTALLATION ANCHORS INTO MORTAR JOINTS. EDGE DISTANCE IS MEASURED FROM FREE EDGE OF BLOCK OR EDGE OF MORTAR JOINT INTO FACE SHELL OF BLOCK.
- INSTALLATION ANCHORS SHALL BE INSTALLED IN ACCORDANCE WITH ANCHOR MANUFACTURER'S INSTALLATION INSTRUCTIONS, AND ANCHORS SHALL NOT BE USED IN SUBSTRATES WITH STRENGTHS LESS THAN THE MINIMUM STRENGTH SPECIFIED BY THE ANCHOR MANUFACTURER.

s:\projects\andersen windows\fbc-18-1154-fbc-submittal - e-series casement, awning, dh & fixed windows, non-impact (flange installation option)\dwgs\1x\awd215-series 07 double hung-impact (hvhz)\awd215 - e-series series 7 double hung-impact (hvhz).dwg 2/21/2019 8:28 PM



100 FOURTH AVE. NORTH
BAYPORT, MN 55003-1096
PH: (651) 264-5150 FX: (651) 264-5485

TITLE:
E-SERIES DOUBLE HUNG WINDOW (HVHZ) (IMPACT)

ANCHOR DETAILS & SCHEDULE

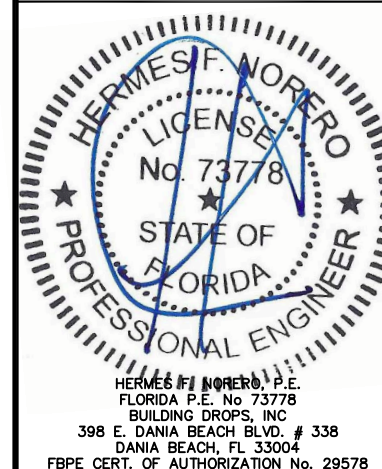
PREPARED BY:
BUILDING DROPS, INC.

398 E. DANIA BEACH BLVD., STE. 338
DANIA BEACH, FL 33004
PH: (954)399-8478
FAX: (954)744-4738
WEB: www.buildingdrops.com



REMARKS	BY	DATE
6TH FBC EDITION	FM	10/17

THE INSTALLATION DETAILS DESCRIBED HEREIN ARE GENERIC AND MAY NOT REFLECT ACTUAL CONDITIONS FOR A SPECIFIC SITE. IF SITE CONDITIONS CAUSE INSTALLATION TO DEVIATE FROM THE REQUIREMENTS DETAILED HEREIN, A LICENSED ENGINEER OR ARCHITECT SHALL PREPARE SITE SPECIFIC DOCUMENTS FOR USE WITH THIS DOCUMENT.



HERMES F. NORERO, P.E.
FLORIDA P.E. No. 73778
BUILDING DROPS, INC.
398 E. DANIA BEACH BLVD. # 338
DANIA BEACH, FL 33004
FBPE CERT. OF AUTHORIZATION No. 29578

FL #: **FL24230**

DATE: **10.13.17**

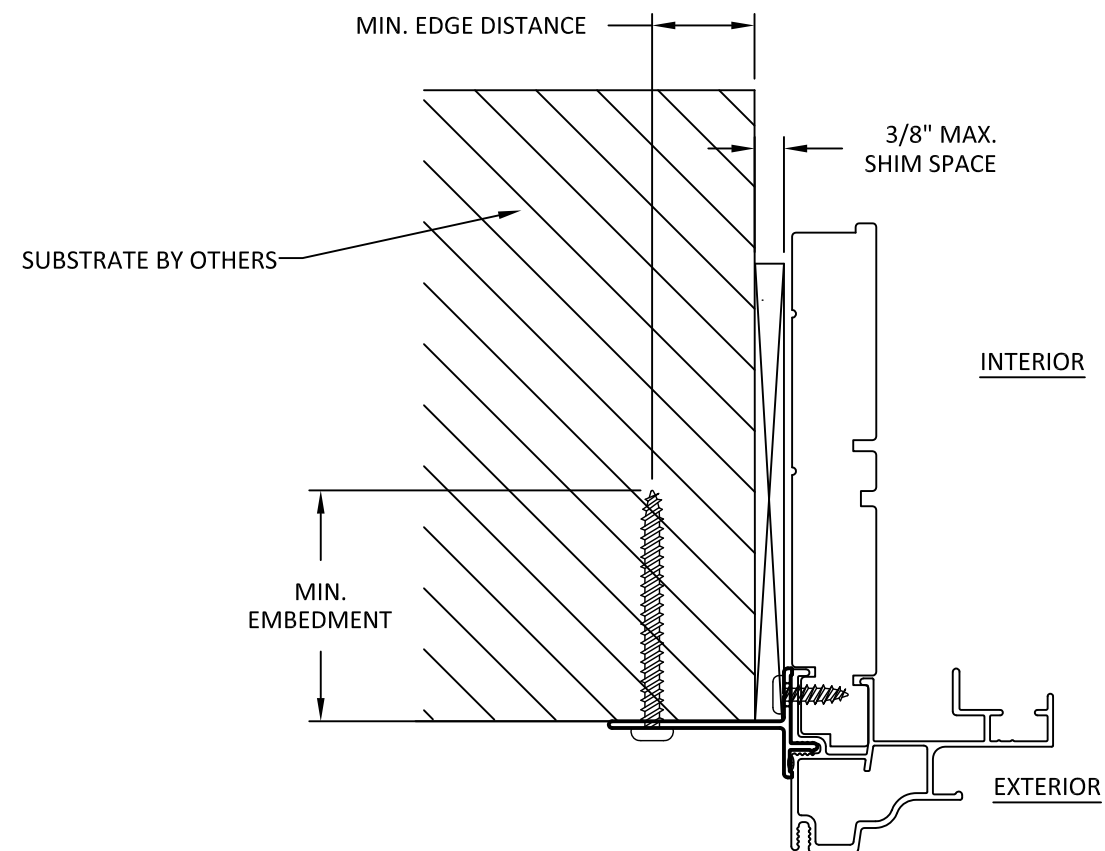
DWG. BY: **RV** CHK. BY: **HFN**

SCALE: **NTS**

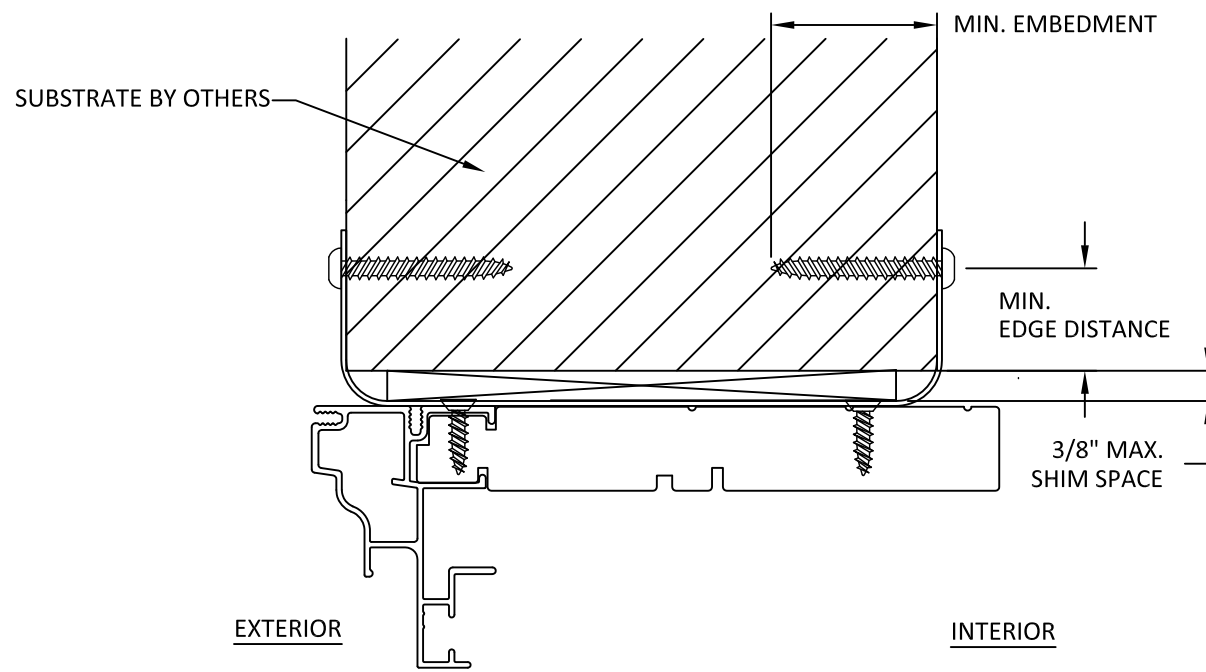
DWG. #: **AWD215**

SHEET

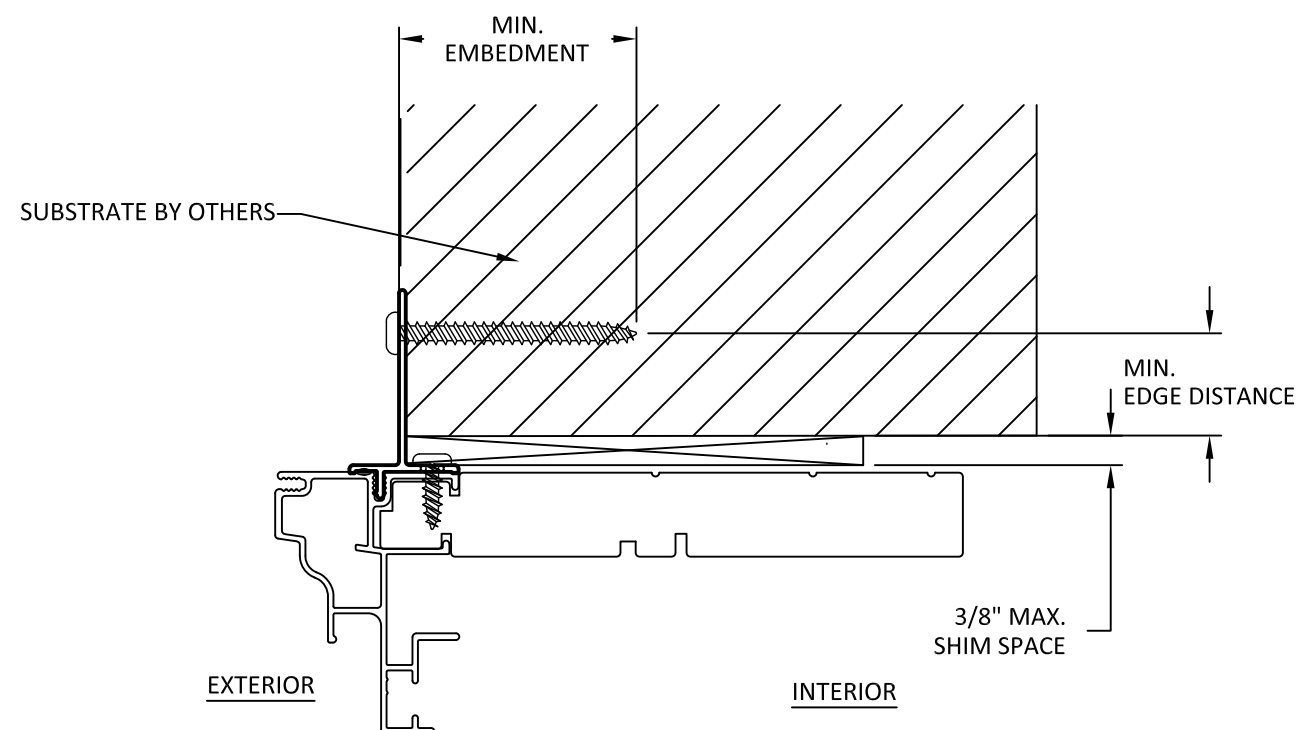
6



A
6 **ANCHOR DETAIL**
NAIL FIN (JAMB)



B
6 **ANCHOR DETAIL**
STRAP ANCHOR (HEAD)

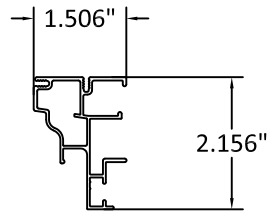


C
6 **ANCHOR DETAIL**
NAIL FIN (HEAD)

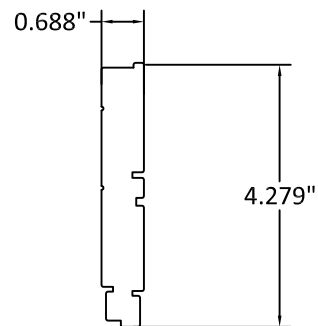
ANCHOR SCHEDULE				
METHOD	SUBSTRATE	ANCHOR SCHEDULE	MIN EMBEDMENT	MIN. EDGE DISTANCE
STRAP ANCHOR	WOOD: MIN. SG = 0.55	#8 WOOD SCREW	1.5"	0.75"
	METAL: 18 GAUGE, MIN. Fy=33KSI	#8 TEK SCREW	3 THREADS MIN PENETRATION BEYOND METAL	0.75"
NAIL FIN	WOOD: MIN. SG = 0.55	#8 WOOD SCREW	1.5"	0.75"
	METAL: 18 GAUGE Steel, MIN. Fy=33KSI	#8 TEK SCREW	3 THREADS MIN PENETRATION BEYOND METAL	0.75"

s:\projects\andersen windows\fb-18-1154-fbc-submittal - e-series casement, awning, dh & fixed windows, non-impact (flange installation option)\dwgs\1x\awd215-series 07 double hung-impact (hvhz)\awd215 - e-series series 7 double hung-impact hvhz.dwg 2/21/2019 8:28 PM

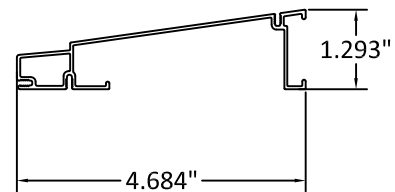
1 FRAME COVER



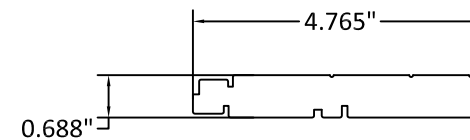
5 SIDE JAMB



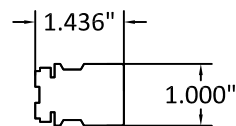
6 SILL COVER



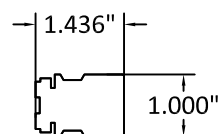
10 HEAD JAMB



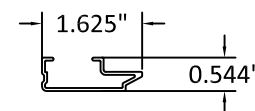
13 LOWER STILE



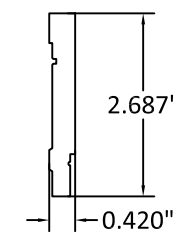
14 UPPER RAIL



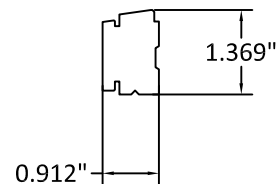
17 SASH COVER



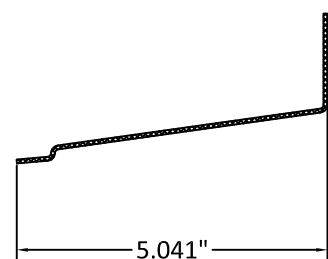
21 SILL STOP



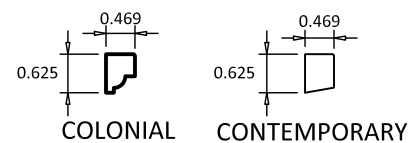
28 THERMAL BLOCK



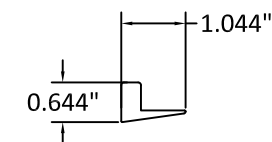
29 SILL PAD



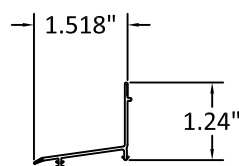
40 GLAZING STOP



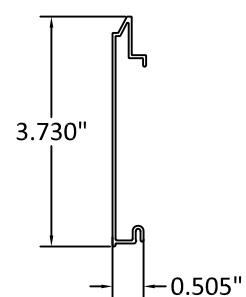
42 SNUBBER



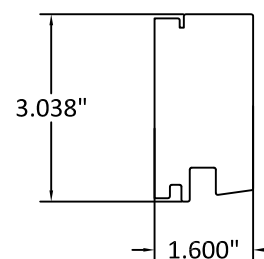
43 SILL WATER DAM



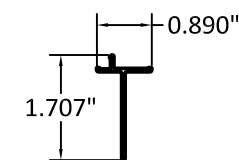
44 LOWER RAIL COVER



48 LOWER RAIL



70 NAIL FIN



100 FOURTH AVE. NORTH
BAYPORT, MN 55003-1096
PH: (651) 264-5150 FX: (651) 264-5485

TITLE:
E-SERIES DOUBLE HUNG
WINDOW (HVHZ) (IMPACT)

COMPONENTS

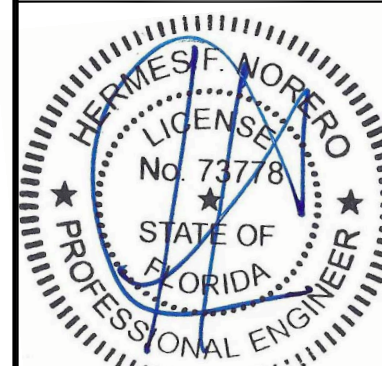
PREPARED BY:
BUILDING DROPS, INC.
398 E. DANIA BEACH BLVD., STE. 338
DANIA BEACH, FL 33004

PH: (954) 399-8478
FAX: (954) 744-4738
WEB: www.buildingdrops.com



REMARKS	BY	DATE
6TH FBC EDITION	FM	10/17

THE INSTALLATION DETAILS DESCRIBED HEREIN ARE GENERIC AND MAY NOT REFLECT ACTUAL CONDITIONS FOR A SPECIFIC SITE. IF SITE CONDITIONS CAUSE INSTALLATION TO DEVIATE FROM THE REQUIREMENTS DETAILED HEREIN, A LICENSED ENGINEER OR ARCHITECT SHALL PREPARE SITE SPECIFIC DOCUMENTS FOR USE WITH THIS DOCUMENT.



HERMES F. NORERO, P.E.
FLORIDA P.E. No. 73778
BUILDING DROPS, INC
398 E. DANIA BEACH BLVD. # 338
DANIA BEACH, FL 33004
FBPE CERT. OF AUTHORIZATION No. 29578

FL #:
FL24230

DATE: **10.13.17**

DWG. BY: **RV** CHK. BY: **HFN**

SCALE: **NTS**

DWG. #: **AWD215**

SHEET

7

s:\projects\andersen windows\fb-18-1154-fbc submittal - e-series casement, awning, dh & fixed windows, non-impact (flange installation option)\dwgs\1x\awd215-series 07 double hung-impact (hvhz)\awd215 - e-series series 7 double hung-impact hvhz.dwg 2/21/2019 8:28 PM

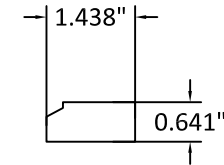
BILL OF MATERIALS

NO.	PART NUMBER	DESCRIPTION	MATERIAL
1	-	SIDE FRAME COVER	ALUM.
5	-	SIDE JAMB	WOOD
6	-	SILL COVER	ALUM.
10	-	HEAD JAMB	WOOD
13	-	LOWER STILE	WOOD
14	-	RAIL	WOOD
17	-	SASH COVER	ALUM.
21	-	SILL STOP	WOOD
28	-	THERMAL BLOCK	WOOD
29	-	FOAM SILL PAD	EPDM
37	-	INSTANTGLAZE II GLAZING COMPOUND	POLYURETHANE
38	-	POLYETHYLENE FOAM TAPE	FOAM TAPE
39	-	GLAZING SHIM	NEOPRENE
40	-	GLASS STOP	WOOD
42	-	SNUBBER GLASS FILLED NYLON	-
43	-	SILL WATER DAM	VINYL
44	-	LOWER RAIL COVER	ALUM.
47	-	LOWER RAIL	WOOD
48	-	FRAME PLUG	NYLON
70	-	NAIL FIN	ALUM.
72	-	#8 X 1/2" PPH TEK SCREW	STEEL
84	-	#8 X 5/8" PFH SMS	STEEL
86	-	STRAP ANCHOR 1.625" X 8.2" X 0.039" THK.	STEEL
90	-	CDHF HEAD & SIDE STOP SUPPORT	WOOD
81	-	CDHF INT. SIDE STOP SUPPORT	WOOD
82	-	CDHF FILLER BLOCK	WOOD
93	-	CDHF SIDE STOP EXTRUSION	ALUM.
94	-	HEAD INTERIOR STOP	WOOD
95	-	CDHF HEAD STOP EXTRUSION	ALUM.
150	-	1-1/2" INTERIOR COLONIAL MDL BAR	WOOD
151	-	1-1/2" EXTERIOR MDL BAR	ALUM.
152	-	1-1/2" MDL ADHESIVE TAPE (EXTERIOR)	POLYETHYLENE
153	-	1-1/2" MDL ADHESIVE TAPE (INTERIOR)	POLYETHYLENE
154	-	1-1/8" INTERIOR COLONIAL MDL BAR	WOOD
155	-	1-1/8" EXTERIOR MDL BAR	ALUM.
156	-	1-1/8" MDL ADHESIVE TAPE (EXTERIOR)	POLYETHYLENE
157	-	1-1/8" MDL ADHESIVE TAPE (INTERIOR)	POLYETHYLENE
158	-	7/8" INTERIOR COLONIAL MDL BAR	WOOD
159	-	7/8" EXTERIOR MDL BAR	ALUM.
160	-	7/8" MDL ADHESIVE TAPE (EXTERIOR)	POLYETHYLENE
161	-	7/8" MDL ADHESIVE TAPE (INTERIOR)	POLYETHYLENE
162	-	5/8" INTERIOR COLONIAL MDL BAR	WOOD
163	-	5/8" EXTERIOR MDL BAR	ALUM.
164	-	5/8" MDL ADHESIVE TAPE (EXTERIOR)	POLYETHYLENE
165	-	5/8" MDL ADHESIVE TAPE (INTERIOR)	POLYETHYLENE

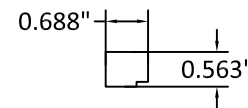
90 HEAD & SIDE STOP SUPPORT



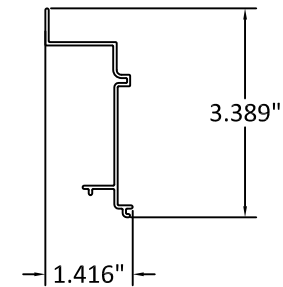
91 SIDE STOP SUPPORT



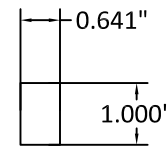
92 FILLER BLOCK



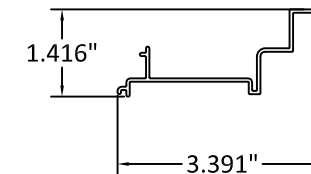
93 SIDE STOP EXTRUSION



94 HEAD INTERIOR



95 HEAD STOP EXTRUSION



100 FOURTH AVE. NORTH
BAYPORT, MN 55003-1096
PH: (651) 264-5150 FX: (651) 264-5485

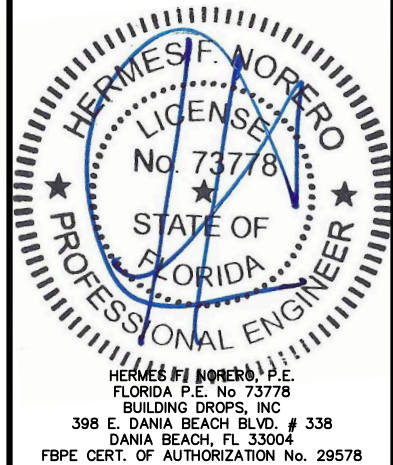
TITLE:
E-SERIES DOUBLE HUNG WINDOW (HVHZ) (IMPACT)
COMPONENTS & BILL OF MATERIALS

PREPARED BY:
BUILDING DROPS, INC.
398 E. DANIA BEACH BLVD., STE. 338
DANIA BEACH, FL 33004
PH: (954) 399-8478
FAX: (954) 744-4738
WEB: www.buildingdrops.com



REMARKS	BY	DATE
6TH FBC EDITION	FM	10/17

THE INSTALLATION DETAILS DESCRIBED HEREIN ARE GENERIC AND MAY NOT REFLECT ACTUAL CONDITIONS FOR A SPECIFIC SITE. IF SITE CONDITIONS CAUSE INSTALLATION TO DEVIATE FROM THE REQUIREMENTS DETAILED HEREIN, A LICENSED ENGINEER OR ARCHITECT SHALL PREPARE SITE SPECIFIC DOCUMENTS FOR USE WITH THIS DOCUMENT.



HERMES F. NORERO, P.E.
FLORIDA P.E. No. 73778
BUILDING DROPS, INC.
398 E. DANIA BEACH BLVD. # 338
DANIA BEACH, FL 33004
FBPE CERT. OF AUTHORIZATION No. 29578

FL #:	FL24230
DATE:	10.13.17
DWG. BY:	RV
CHK. BY:	HFN
SCALE:	NTS
DWG. #:	AWD215
SHEET	

s:\projects\andersen windows\fb-18-1154-fbc-submittal - e-series casement, awning, dh & fixed windows, non-impact (flange installation option)\dwgs\1x\awd215-series 07 double hung-impact (hvhz)\awd215 - e-series series 7 double hung-impact hvhz.dwg 2/21/2019 8:28 PM