

ANDERSEN CORPORATION

E-SERIES FRENCH GLIDING & STATIONARY PATIO DOOR (IMPACT) (HVHZ)



100 FOURTH AVE NORTH
BAYPORT, MN 55003-1096
PH: (651) 264-5150 FX: (651) 264-5485

TITLE: E-SERIES FRENCH GLIDING PATIO DOOR (IMPACT) (HVHZ)
GENERAL AND GLAZING DETAILS

PREPARED BY:
BUILDING DROPS, INC.
398 E. DANIA BEACH BLVD., STE. 338
DANIA BEACH, FL 33004
PH: (954) 399-8478
FAX: (954) 744-4738
WEB: www.buildingdrops.com

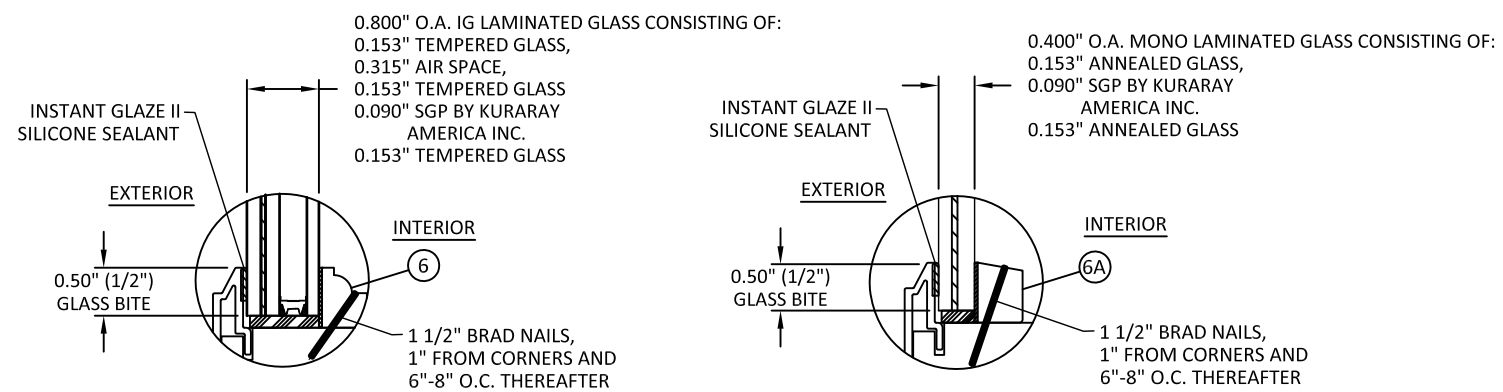
TABLE OF CONTENTS		
SHEET	REVISION	SHEET DESCRIPTION
1	-	GENERAL NOTES & GLAZING DETAILS
2	-	ELEVATIONS & ANCHOR LAYOUTS
3	-	ELEVATION, ANCHOR LAYOUTS & QUALIFIED PANEL STYLES
4	-	VERTICAL SECTIONS
5	-	HORIZONTAL SECTIONS
6	-	INSTALLATION NOTES, ANCHOR DETAILS & SCHEDULE
7	-	BILL OF MATERIALS & COMPONENTS

GENERAL NOTES:

- THE PRODUCT SHOWN HEREIN IS DESIGNED AND MANUFACTURED TO COMPLY WITH THE CURRENT FLORIDA BUILDING CODE (FBC), INCLUDING HVHZ AND HAS BEEN EVALUATED ACCORDING TO THE FOLLOWING:
 - TAS 201-94
 - TAS 202-94
 - TAS 203-94
 - ASTM E1886-05
 - ASTM E1996-12
- ADEQUACY OF THE EXISTING STRUCTURAL CONCRETE/MASONRY, 2X AND METAL STUD FRAMING AS A MAIN WIND FORCE RESISTING SYSTEM CAPABLE OF WITHSTANDING AND TRANSFERRING APPLIED PRODUCT LOADS TO THE FOUNDATION IS THE RESPONSIBILITY OF THE ENGINEER OR ARCHITECT OF RECORD FOR THE PROJECT OF INSTALLATION.
- 1X AND 2X BUCKS (WHEN USED) SHALL BE DESIGNED AND ANCHORED TO PROPERLY TRANSFER ALL LOADS TO THE STRUCTURE. BUCK DESIGN AND INSTALLATION IS THE RESPONSIBILITY OF THE ENGINEER OR ARCHITECT OF RECORD FOR THE PROJECT OF INSTALLATION.
- THE INSTALLATION DETAILS DESCRIBED HEREIN ARE GENERIC AND MAY NOT REFLECT ACTUAL CONDITIONS FOR A SPECIFIC SITE. IF SITE CONDITIONS CAUSE INSTALLATION TO DEVIATE FROM THE REQUIREMENTS DETAILED HEREIN, A LICENSED ENGINEER OR ARCHITECT SHALL PREPARE SITE SPECIFIC DOCUMENTS FOR USE WITH THIS DOCUMENT.
- APPROVED IMPACT PROTECTIVE SYSTEM IS **NOT REQUIRED** TO PROTECT THIS PRODUCT IN AREAS REQUIRING IMPACT RESISTANCE.
- DOOR FRAME MATERIAL: ALUMINUM CLAD WOOD.
- GLASS MEETS THE REQUIREMENTS OF ASTM E1300 GLASS CHARTS. SEE SHEET 1 FOR GLAZING DETAILS.
- DESIGNATIONS "X" AND "O" STAND FOR THE FOLLOWING:
X: OPERABLE PANEL
O: FIXED PANEL
- CUSTOM SIZES AVAILABLE UPON REQUEST. CUSTOM DESIGN PRESSURE WILL BE ASSIGNED EQUAL TO NEXT LARGER STANDARD SIZE.

DESIGN PRESSURE RATING				
O.A SIZE	CONFIGURATION	PANEL STYLE	DESIGN PRESSURE	MISSILE IMPACT RATING
71 3/4" X 96"	XO	SP1, SP2, SP4	+60.0 / -65.0 PSF	LARGE MISSILE
50" X 96"	O	SP1, SP2, SP4	+60.0 / -65.0 PSF	LARGE MISSILE

NOTE: SEE SHEET 3 FOR PANEL STYLE (SP) DETAILS

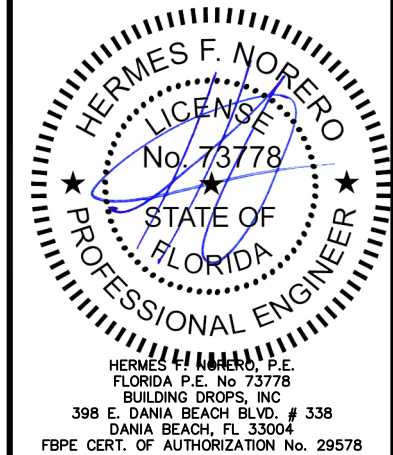


GLAZING DETAIL 1

GLAZING DETAIL 2

- NOTE:**
- ALL GLAZING CONFIGURATIONS SHALL COMPLY WITH SAFETY GLAZING REQUIREMENTS OUTLINED IN CURRENT FBC AND ASTM E 1300 GLASS CHART REQUIREMENTS.
 - SETTING BLOCK SHOULD BE 70-90 DUROMETER AS PER CH 24 OF THE CURRENT FBC.
 - GLASS LITES THAT EXCEED 36" IN WIDTH SHALL USE SETTING BLOCKS AT 1/4 SPAN FROM CORNERS.

THIS DOCUMENT IS THE PROPERTY OF BUILDING DROPS, INC. AND SHALL NOT BE REPRODUCED IN WHOLE OR PART WITHOUT WRITTEN CONSENT OF BUILDING DROPS, INC. ALTERATIONS, ADDITIONS, HIGHLIGHTING, OR OTHER MARKINGS TO THIS DOCUMENT ARE NOT PERMITTED AND INVALIDATE OUR CERTIFICATION.



FL #: **FL21476**

DATE: **01.08.18**

DWG. BY: **RV** CHK. BY: **HFN**

SCALE: **NTS**

DWG. #: **AWD105**

SHEET **1** OF 7

2/12/2018 12:17 PM s:\projects\andersen windows\fb-17-1221-1-fbc-submittal-e-series-sliding-patio-door\dwg\awd105.dwg



100 FOURTH AVE NORTH
BAYPORT, MN 55003-1096
PH: (651) 264-5150 FX: (651) 264-5485

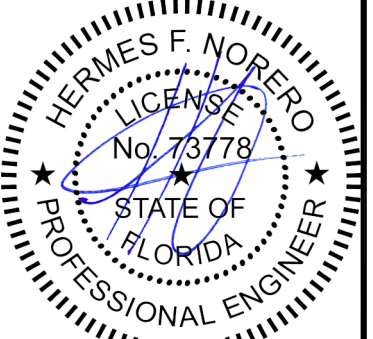
TITLE: E-SERIES FRENCH GLIDING PATIO DOOR (IMPACT) (HVHZ) ELEVATIONS & ANCHOR LAYOUTS

PREPARED BY: BUILDING DROPS, INC.
398 E. DANIA BEACH BLVD., STE. 338
DANIA BEACH, FL 33004
PH: (954) 399-8478
FAX: (954) 744-4738
WEB: www.buildingdrops.com



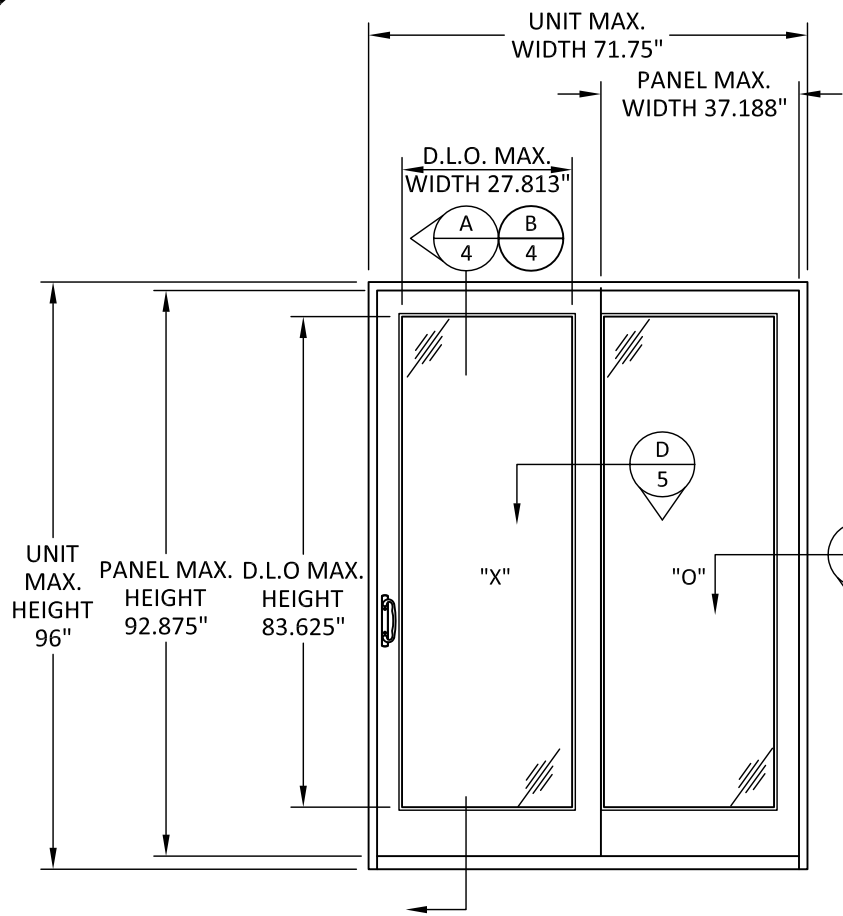
REMARKS	BY	DATE

THIS DOCUMENT IS THE PROPERTY OF BUILDING DROPS, INC. AND SHALL NOT BE REPRODUCED IN WHOLE OR PART WITHOUT WRITTEN CONSENT OF BUILDING DROPS, INC. ALTERATIONS, ADDITIONS, HIGHLIGHTING, OR OTHER MARKINGS TO THIS DOCUMENT ARE NOT PERMITTED AND INVALIDATE OUR CERTIFICATION.

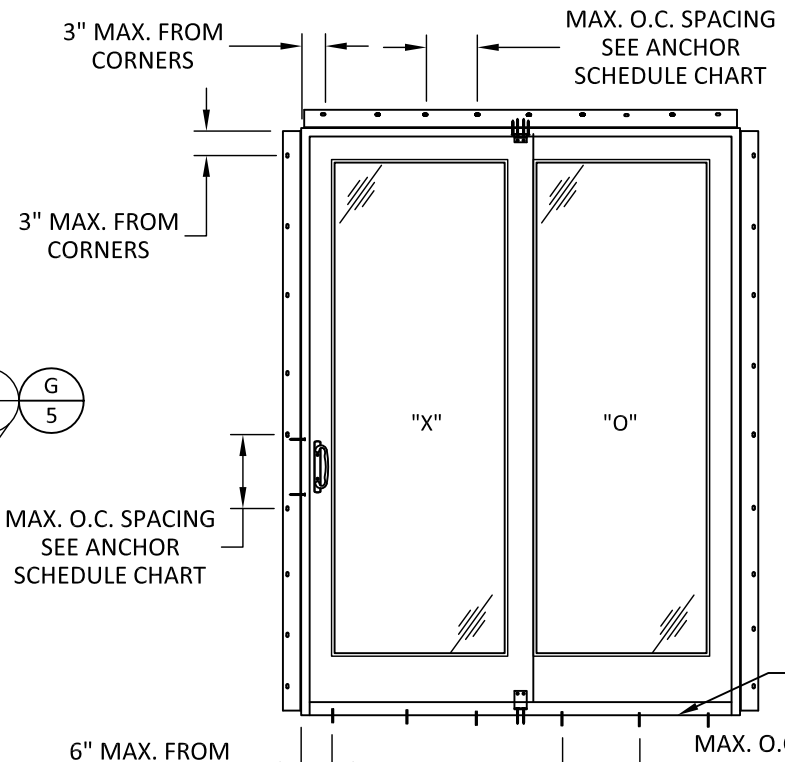


HERMES F. NORERO, P.E.
FLORIDA P.E. No. 73778
BUILDING DROPS, INC.
398 E. DANIA BEACH BLVD. # 338
DANIA BEACH, FL 33004
FBPE CERT. OF AUTHORIZATION No. 29578

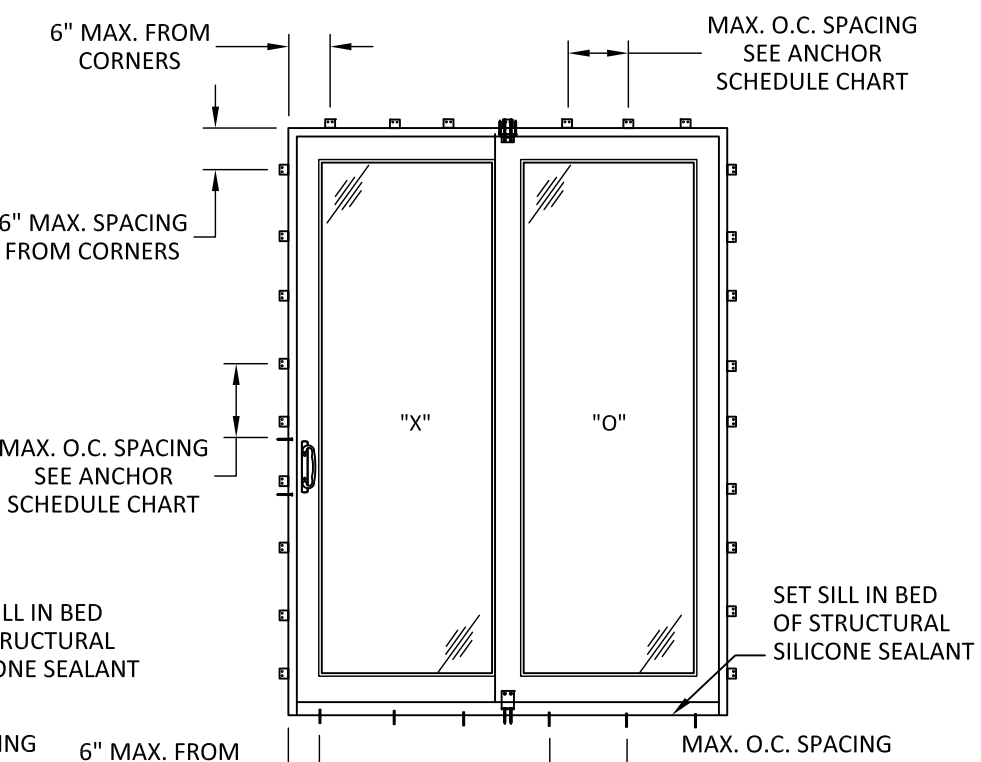
FL #: **FL21476**
DATE: **01.08.18**
DWG. BY: **RV** CHK. BY: **HFN**
SCALE: **NTS**
DWG. #: **AWD105**
SHEET



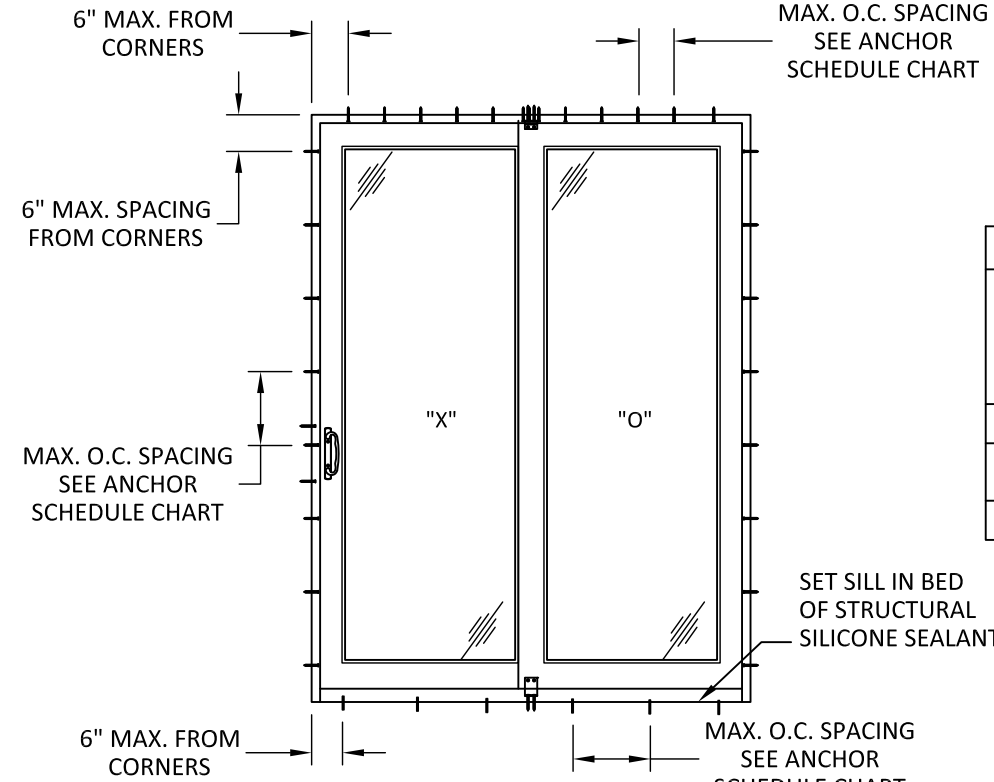
ELEVATION



**ANCHOR LAYOUT
FIN INSTALLATION**



**ANCHOR LAYOUT
THROUGH STRAP
INSTALLATION**



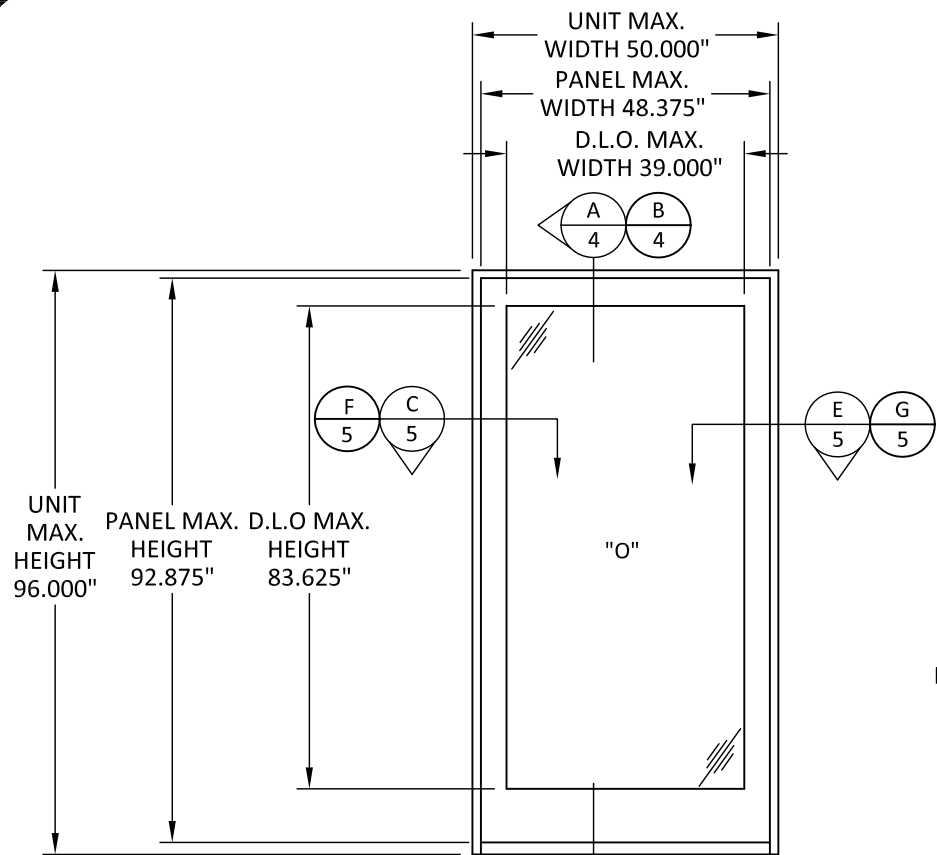
**ANCHOR LAYOUT
THROUGH FRAME
INSTALLATION**

UNIT	CONFIG.	DESIGN PRESSURE		ANCHOR SCHEDULE CHART			SILL #14 WS	SILL #12 WS 1/4" ITW	SILL #12 TEK SCREW			
				FIN		STRAP				THROUGH		
				HEAD	JAMB	HEAD	JAMB	HEAD	JAMB			
71 3/4" X 96"	XO	+/- 60 PSF	+/- 65 PSF	6.0	12.0	12.0	12.0	6.5	12.0	8.5	7.5	10"
50" X 96"	O	+/- 60 PSF	+/- 65 PSF	12.0	10.0	19.0	24.0	19.0	9.0	-	-	-

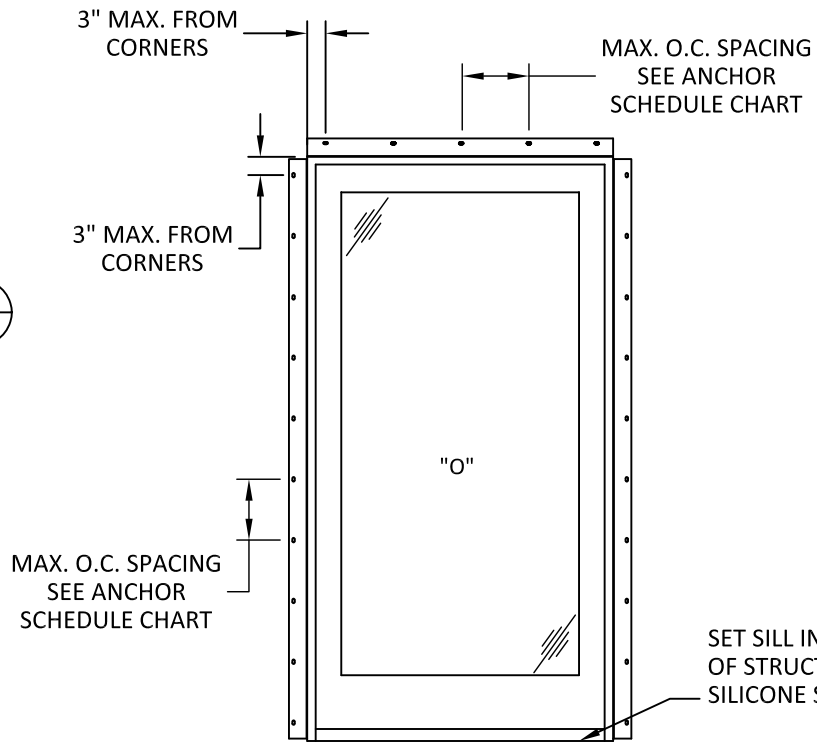
WS-WOOD SCREW

2/12/2018 12:17 PM s:\projects\andersen windows\fb-17-1221-1-fbc submittal-e-series sliding patio door\dwgs\awd105.dwg

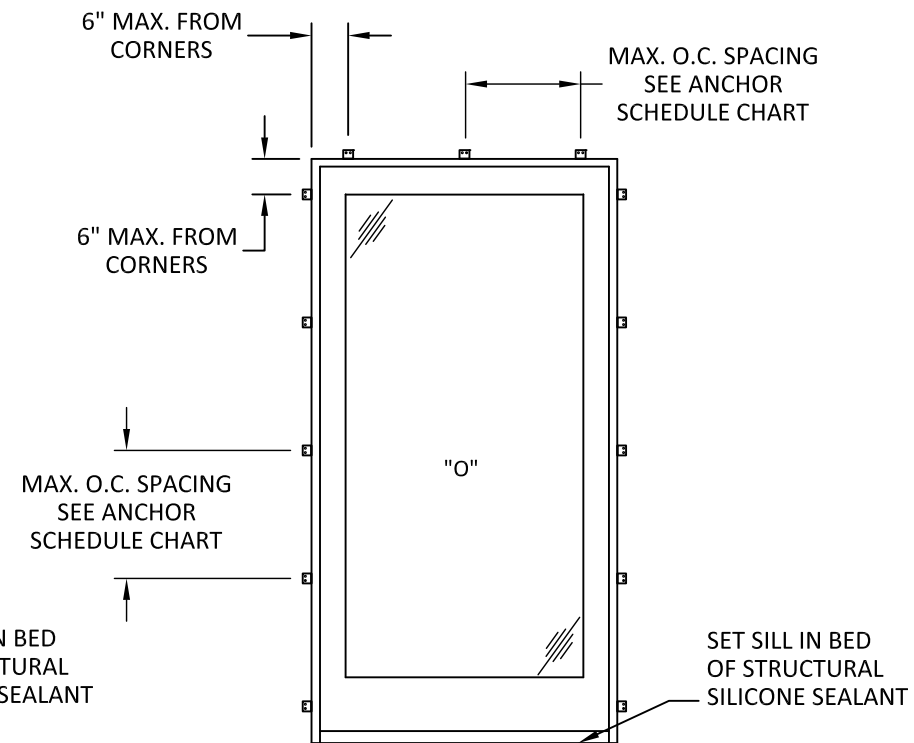
2/12/2018 12:17 PM



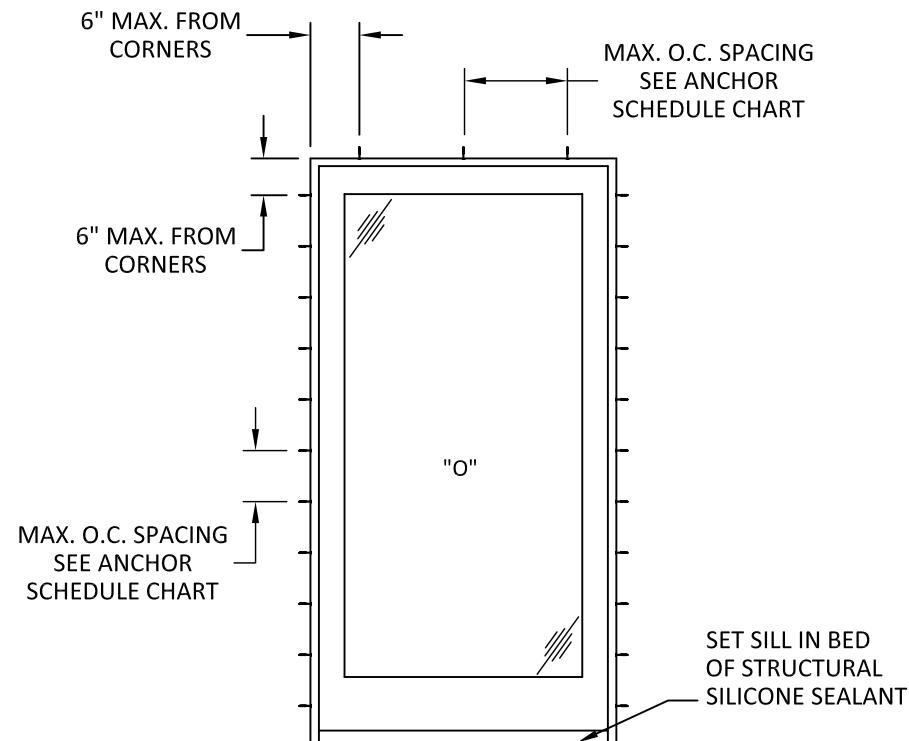
ELEVATION



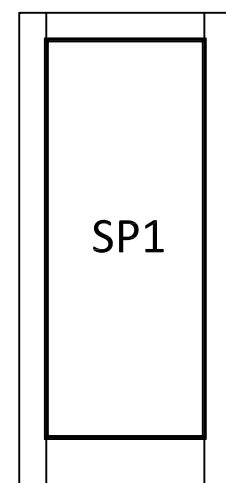
**ANCHOR LAYOUT
FIN INSTALLATION**



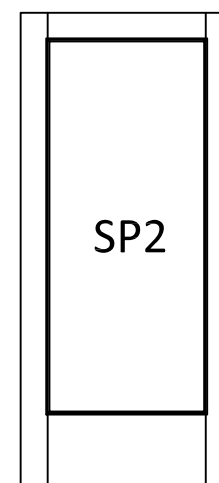
**ANCHOR LAYOUT
THROUGH STRAP
INSTALLATION**



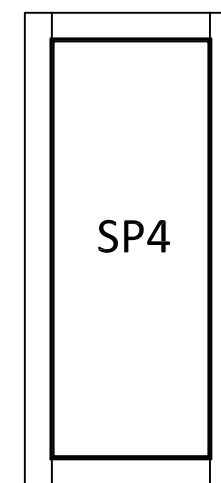
**ANCHOR LAYOUT
THROUGH FRAME
INSTALLATION**



4 11/16" STILES & RAIL
8" BOTTOM RAIL



4 11/16" STILES & RAIL
12" BOTTOM RAIL



4 11/16" STILES & RAIL

QUALIFIED PANEL STYLES



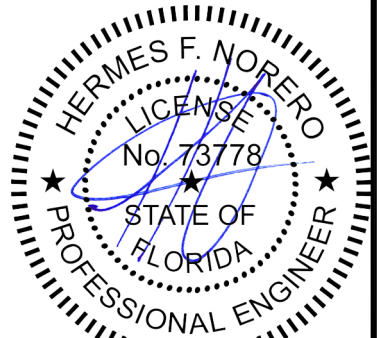
100 FOURTH AVE NORTH
BAYPORT, MN 55003-1096
PH: (651) 264-5150 FX: (651) 264-5485

TITLE: E-SERIES FRENCH GLIDING PATIO DOOR (IMPACT) (HVHZ)
ELEVATION, ANCHOR LAYOUTS & QUALIFIED PANEL STYLES

PREPARED BY: BUILDING DROPS, INC.
398 E. DANIA BEACH BLVD., STE. 338
DANIA BEACH, FL 33004
PH: (954) 399-8478
FAX: (954) 744-4738
WEB: www.buildingdrops.com

REMARKS	BY	DATE

THIS DOCUMENT IS THE PROPERTY OF BUILDING DROPS, INC. AND SHALL NOT BE REPRODUCED IN WHOLE OR PART WITHOUT WRITTEN CONSENT OF BUILDING DROPS, INC. ALTERATIONS, ADDITIONS, HIGHLIGHTING, OR OTHER MARKINGS TO THIS DOCUMENT ARE NOT PERMITTED AND INVALIDATE OUR CERTIFICATION.



HERMES F. NORERO, P.E.
FLORIDA P.E. No. 73778
BUILDING DROPS, INC.
398 E. DANIA BEACH BLVD. # 338
DANIA BEACH, FL 33004
FBPE CERT. OF AUTHORIZATION No. 29578

FL #:	FL21476
DATE:	01.08.18
DWG. BY:	RV
CHK. BY:	HFN
SCALE:	NTS
DWG. #:	AWD105
SHEET	3

s:\projects\andersen windows\fb-17-1221-1 - fbc submittal - e-series sliding patio door\dwgs\awd105.dwg



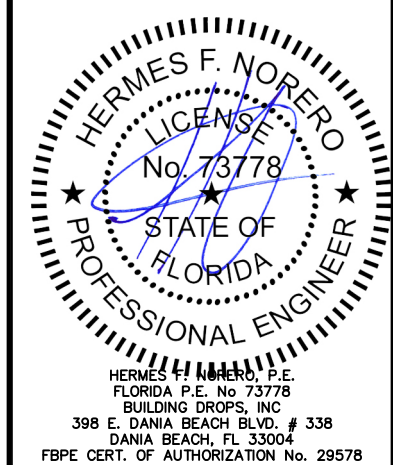
100 FOURTH AVE NORTH
BAYPORT, MN 55003-1096
PH: (651) 264-5150 FX: (651) 264-5485

TITLE: E-SERIES FRENCH GLIDING PATIO DOOR (IMPACT) (HVHZ) VERTICAL SECTIONS

PREPARED BY: BUILDING DROPS, INC.
398 E. DANIA BEACH BLVD., STE. 338
DANIA BEACH, FL 33004
PH: (954) 399-8478
FAX: (954) 744-4738
WEB: www.buildingdrops.com

REMARKS	BY	DATE

THIS DOCUMENT IS THE PROPERTY OF BUILDING DROPS, INC. AND SHALL NOT BE REPRODUCED IN WHOLE OR PART WITHOUT WRITTEN CONSENT OF BUILDING DROPS, INC. ALTERATIONS, ADDITIONS, HIGHLIGHTING, OR OTHER MARKINGS TO THIS DOCUMENT ARE NOT PERMITTED AND INVALIDATE OUR CERTIFICATION.



FL #: **FL21476**

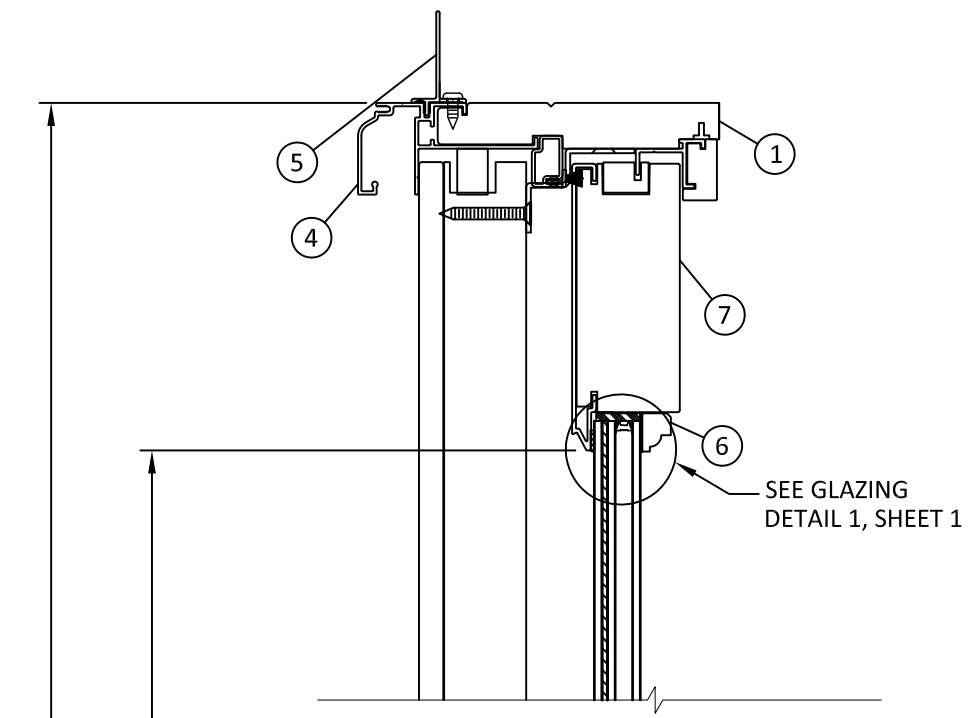
DATE: **01.08.18**

DWG. BY: **RV** CHK. BY: **HFN**

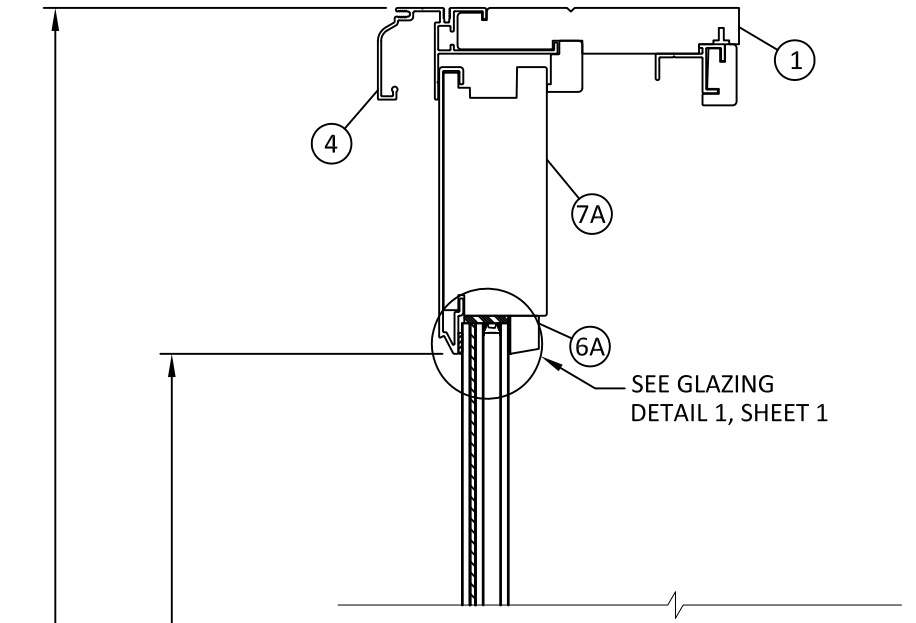
SCALE: **NTS**

DWG. #: **AWD105**

SHEET **4** OF 7



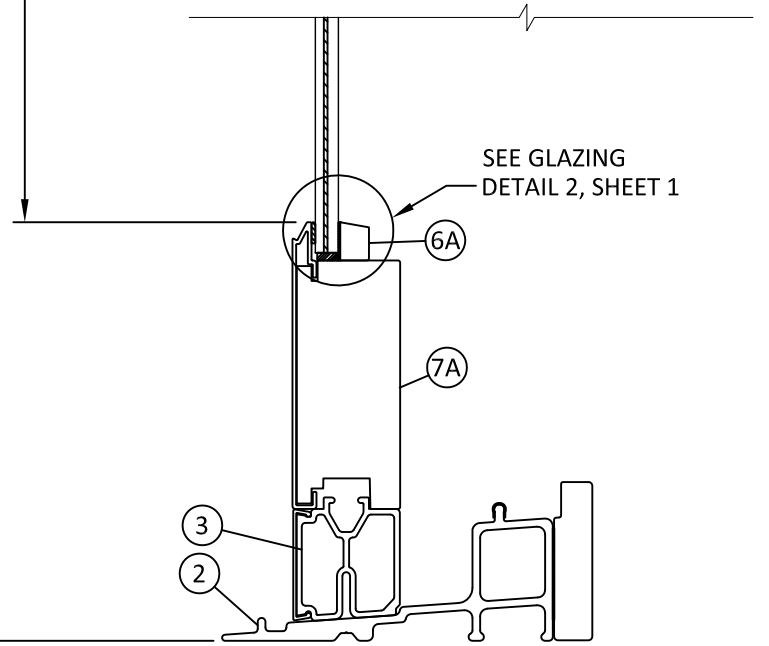
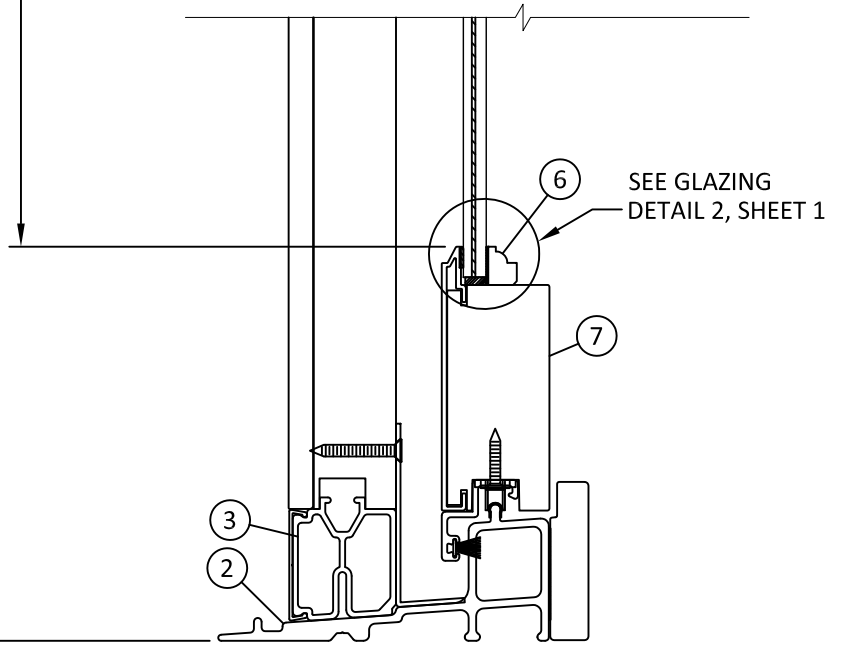
A
4 VERTICAL SECTION
FIN



B
4 VERTICAL SECTION
THROUGH

O.A. UNIT HEIGHT
D.L.O. EXTERIOR INTERIOR

O.A. UNIT HEIGHT
D.L.O. EXTERIOR INTERIOR



2/12/2018 12:17 PM s:\projects\andersen windows\fb-17-1221-1 - fbc submittal - e-series sliding patio door\dwg\awd105.dwg



100 FOURTH AVE NORTH
BAYPORT, MN 55003-1096
PH: (651) 264-5150 FX: (651) 264-5485

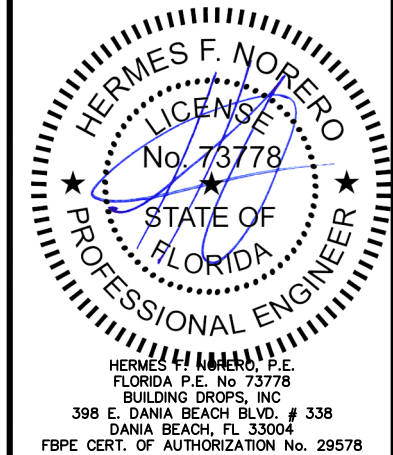
TITLE: E-SERIES FRENCH GLIDING
PATIO DOOR
(IMPACT) (HVHZ)
HORIZONTAL SECTIONS

PREPARED BY:
BUILDING DROPS, INC.
398 E. DANIA BEACH BLVD., STE. 338
DANIA BEACH, FL 33004
PH: (954) 399-8478
FAX: (954) 744-4738
WEB: www.buildingdrops.com



REMARKS	BY	DATE

THIS DOCUMENT IS THE PROPERTY OF BUILDING DROPS, INC. AND SHALL NOT BE REPRODUCED IN WHOLE OR PART WITHOUT WRITTEN CONSENT OF BUILDING DROPS, INC. ALTERATIONS, ADDITIONS, HIGHLIGHTING, OR OTHER MARKINGS TO THIS DOCUMENT ARE NOT PERMITTED AND INVALIDATE OUR CERTIFICATION.



FL #:
FL21476

DATE: **01.08.18**

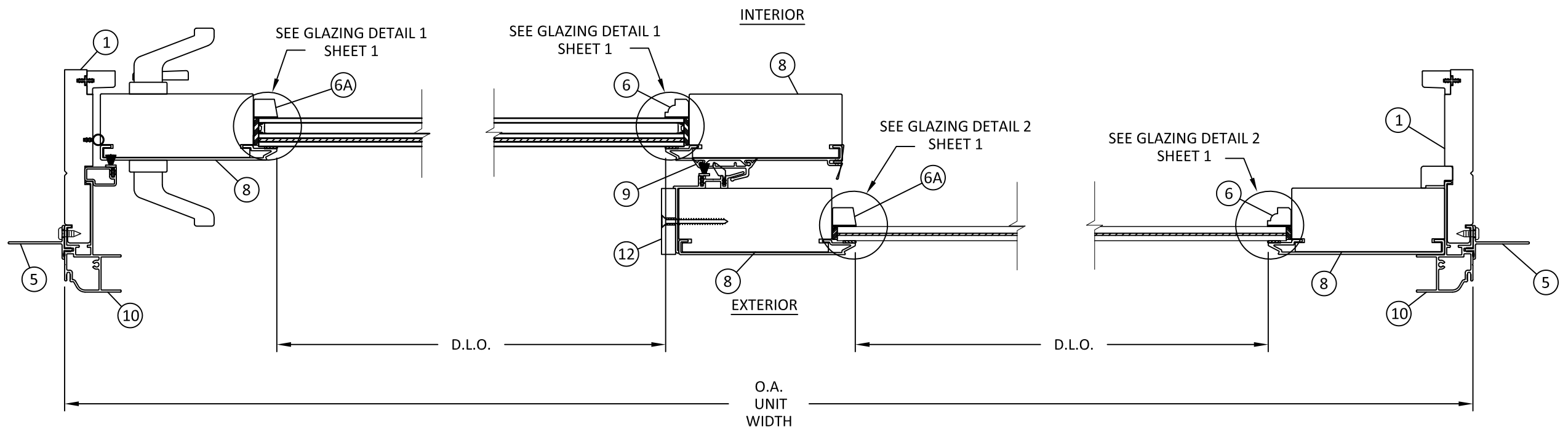
DWG. BY: **RV** CHK. BY: **HFN**

SCALE: **NTS**

DWG. #: **AWD105**

SHEET

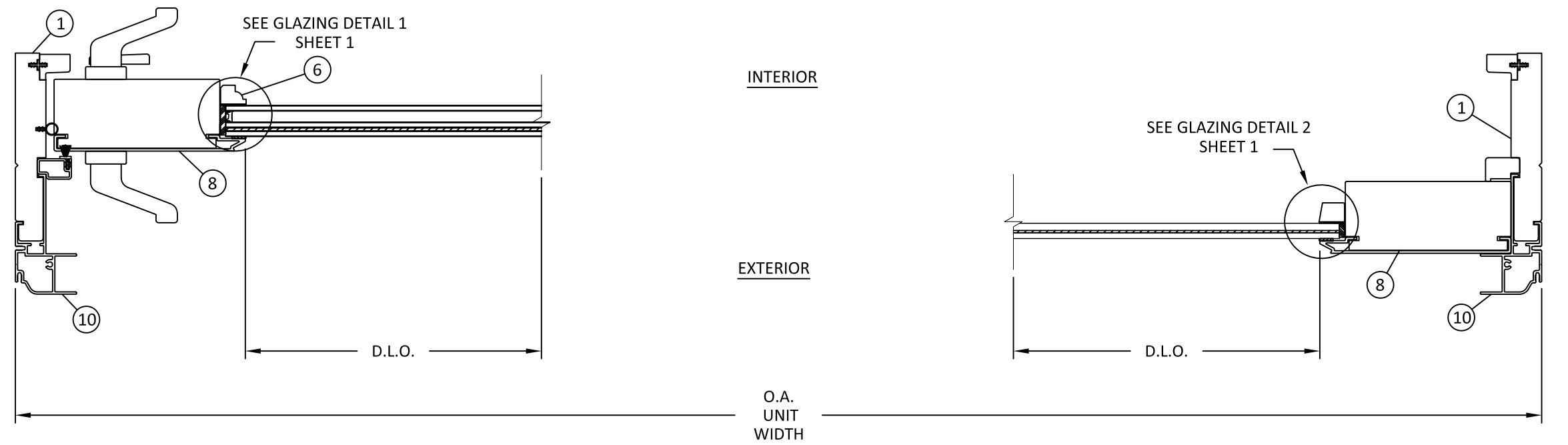
5



C
5 HORIZONTAL SECTION
FIN

D
5 HORIZONTAL SECTION
INTERLOCK

E
5 HORIZONTAL SECTION
FIN

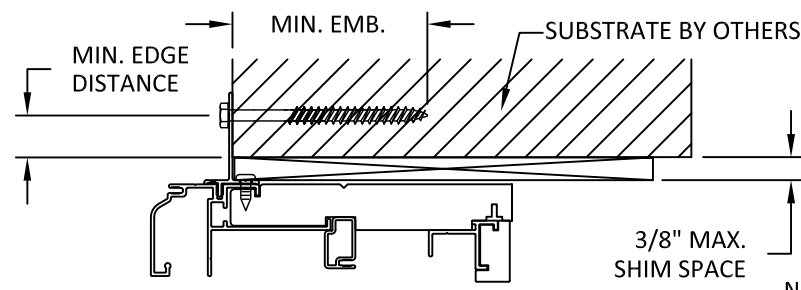


F
5 HORIZONTAL SECTION
THROUGH

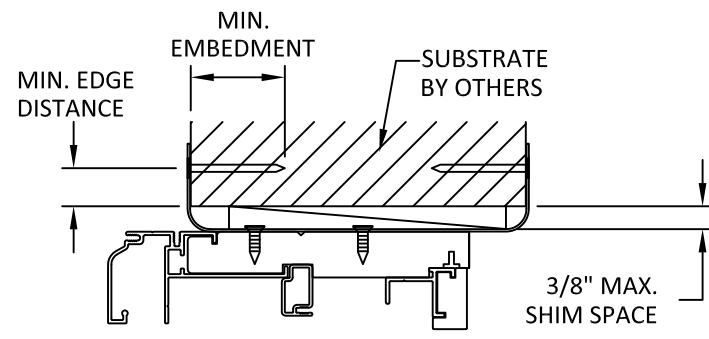
G
5 HORIZONTAL SECTION
THROUGH

s:\projects\andersen windows\fb-17-1221-1-fbc submittal-e-series sliding patio door\dwgs\awd105.dwg 2/12/2018 12:17 PM

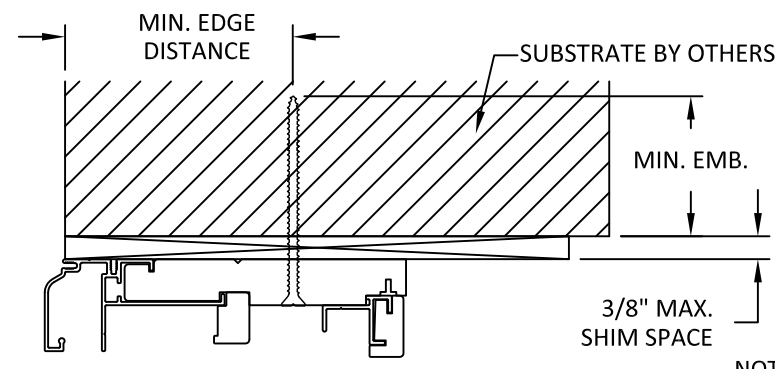
2/12/2018 12:17 PM



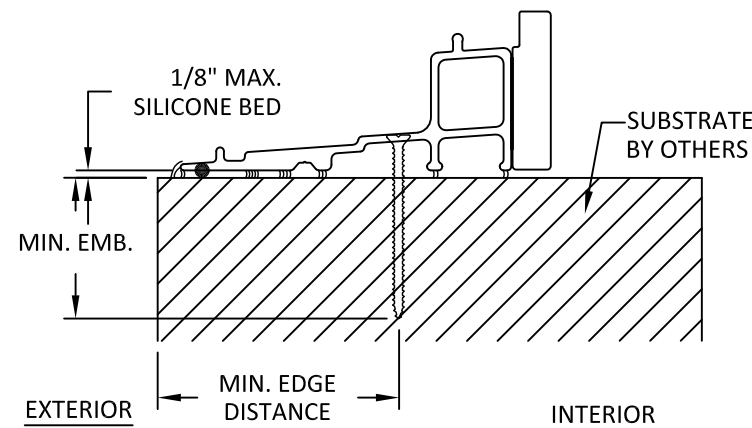
A
6 **ANCHOR DETAIL**
(THROUGH FIN)
NOTE: JAMB HAVE SIMILAR DETAIL



B
6 **ANCHOR DETAIL**
(THROUGH STRAP)
NOTE: JAMB HAVE SIMILAR DETAIL



C
6 **ANCHOR DETAIL**
(THROUGH FRAME)
NOTE: JAMB HAVE SIMILAR DETAIL



D
6 **ANCHOR DETAIL**
(THROUGH FRAME) AT SILL (XO ONLY)

INSTALLATION NOTES:

- ONE (1) INSTALLATION ANCHOR IS REQUIRED AT EACH ANCHOR LOCATION SHOWN UNLESS SPECIFIED IN THE ANCHOR SCHEDULE.
- THE NUMBER OF INSTALLATION ANCHORS DEPICTED IS THE MINIMUM NUMBER OF ANCHORS TO BE USED FOR PRODUCT INSTALLATION OF THE MAXIMUM SIZE LISTED.
- INSTALL INDIVIDUAL INSTALLATION ANCHORS WITHIN A TOLERANCE OF ±1/2 INCH THE DEPICTED LOCATION & SPACING IN THE ANCHOR LAYOUT DETAILS (I.E., WITHOUT CONSIDERATION OF TOLERANCES). TOLERANCES ARE NOT CUMULATIVE FROM ONE INSTALLATION ANCHOR TO THE NEXT.
- SHIM AS REQUIRED AT EACH INSTALLATION ANCHOR WITH LOAD BEARING SHIM(S). MAXIMUM ALLOWABLE SHIM STACK TO BE 3/8 INCH. SHIM WHERE SPACE OF 1/16 INCH OR GREATER OCCURS. SHIM(S) SHALL BE CONSTRUCTED OF HIGH DENSITY PLASTIC OR BETTER.
- FOR MASONRY OR CONCRETE OPENINGS, 1X WOOD BUCK MAY BE USED (OPTIONAL AS LONG AS THE MINIMUM EMBEDMENT AND EDGE DISTANCE REQUIREMENTS ARE STILL MET WITHIN THE CORRESPONDING HOST SUBSTRATE. SEE GENERAL NOTE #3 ON SHEET 1 FOR MORE INFORMATION.
- MINIMUM EMBEDMENT AND EDGE DISTANCE EXCLUDE WALL FINISHES, INCLUDING BUT NOT LIMITED TO STUCCO, FOAM, BRICK VENEER, AND SIDING.
- INSTALLATION ANCHORS AND ASSOCIATED HARDWARE MUST BE MADE OF CORROSION RESISTANT MATERIAL OR HAVE A CORROSION RESISTANT COATING.
- FOR HOLLOW BLOCK AND GROUT FILLED BLOCK, DO NOT INSTALL INSTALLATION ANCHORS INTO MORTAR JOINTS. EDGE DISTANCE IS MEASURED FROM FREE EDGE OF BLOCK OR EDGE OF MORTAR JOINT INTO FACE SHELL OF BLOCK.
- INSTALLATION ANCHORS SHALL BE INSTALLED IN ACCORDANCE WITH ANCHOR MANUFACTURER'S INSTALLATION INSTRUCTIONS, AND ANCHORS SHALL NOT BE USED IN SUBSTRATES WITH STRENGTHS LESS THAN THE MINIMUM STRENGTH SPECIFIED BY THE ANCHOR MANUFACTURER.
- SILL SHALL BE SET IN A BED OF STRUCTURAL SILICONE.

ANCHOR SCHEDULE					
METHOD	SUBSTRATE	ANCHOR SCHEDULE	MIN EMBEDMENT	MIN. EDGE DISTANCE	NO OF ANCHORS PER LOCATION
THROUGH FRAME (HEAD AND JAMB)	WOOD: MIN. SG = 0.55	#10 WOOD SCREW	1.5"	0.75"	1
	METAL: 18 GAUGE Steel, MIN. Fy = 33KSI	#10 TEK SCREW	3 THREADS MIN PENETRATION BEYOND METAL	0.50"	1
THROUGH FRAME (SILL)	WOOD: MIN. SG = 0.55	#12 WOOD SCREW	1.5"	0.75"	1
	WOOD: MIN. SG = 0.55	#14 WOOD SCREW	1.5"	0.75"	1
THROUGH FRAME (HEAD, SILL AND JAMB)	METAL: 18 GAUGE Steel, MIN. Fy = 33KSI	#12 TEK SCREW	3 THREADS MIN PENETRATION BEYOND METAL	0.50"	1
	CONCRETE: f _c =2000PSI	1/4" ITW TAPCON	1.75"	2.5"	1
THROUGH NAIL FIN	MASONRY: CMU per ASTM C90	1/4" ITW TAPCON	1.75"	2.5"	1
	WOOD: MIN. SG = 0.55	#8 WOOD SCREW	1.5"	0.75"	1
THROUGH STRAP	METAL: 18 GAUGE Steel, MIN. Fy = 33KSI	#8 TEK SCREW	3 THREADS MIN PENETRATION BEYOND METAL	0.50"	1
	WOOD: MIN. SG = 0.55	#6 WOOD SCREW	1.5"	0.75"	4
THROUGH STRAP	METAL: 18 GAUGE Steel, MIN. Fy = 33KSI	#8 TEK SCREW	3 THREADS MIN PENETRATION BEYOND METAL	0.50"	4
	WOOD: MIN. SG = 0.55	#6 WOOD SCREW	1.5"	0.75"	4

100 FOURTH AVE NORTH
BAYPORT, MN 55003-1096
PH: (651) 264-5150 FX: (651) 264-5485

TITLE: E-SERIES FRENCH GLIDING PATIO DOOR (IMPACT) (HVHZ)
INSTALLATION NOTES, ANCHOR DETAILS & SCHEDULE

PREPARED BY: BUILDING DROPS, INC.
398 E. DANIA BEACH BLVD., STE. 338
DANIA BEACH, FL 33004
PH: (954) 399-8478
FAX: (954) 744-4738
WEB: www.buildingdrops.com

REMARKS	BY	DATE

THIS DOCUMENT IS THE PROPERTY OF BUILDING DROPS, INC. AND SHALL NOT BE REPRODUCED IN WHOLE OR PART WITHOUT WRITTEN CONSENT OF BUILDING DROPS, INC. ALTERATIONS, ADDITIONS, HIGHLIGHTING, OR OTHER MARKINGS TO THIS DOCUMENT ARE NOT PERMITTED AND INVALIDATE OUR CERTIFICATION.

HERMES F. NORERO, P.E.
FLORIDA P.E. No. 73778
BUILDING DROPS, INC.
398 E. DANIA BEACH BLVD. # 338
DANIA BEACH, FL 33004
FBPE CERT. OF AUTHORIZATION No. 29578

FL #: **FL21476**

DATE: **01.08.18**

DWG. BY: **RV** CHK. BY: **HFN**

SCALE: **NTS**

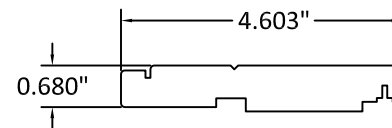
DWG. #: **AWD105**

SHEET **6**

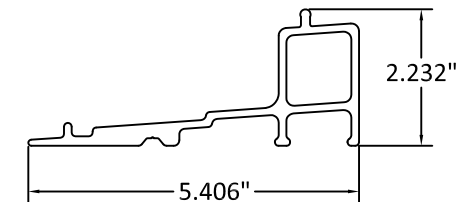
2/12/2018 12:17 PM

BILL OF MATERIALS			
NO	DESCRIPTION	MATERIAL	MANUFACTURER
1	FRAME HEAD/JAMB/SILL	WOOD	ANDERSEN
2	FRAME SILL INTERIOR	ALUMINUM	ANDERSEN
3	FRAME SILL EXTERIOR	ALUMINUM	ANDERSEN
4	HEAD CAP FLASHING	ALUMINUM	ANDERSEN
5	FLANGE FIN	ALUMINUM	ANDERSEN
6	COLONIAL PANEL GLAZING STOP	WOOD	ANDERSEN
6A	CONTEMPORARY PANEL GLAZING STOP	WOOD	ANDERSEN
7	OPERABLE PANEL TOP & BOTTOM FRAME	WOOD	ANDERSEN
7A	FIXED PANEL TOP & BOTTOM FRAME	WOOD	ANDERSEN
8	OPERABLE PANEL SIDE FRAME	WOOD	ANDERSEN
8A	FIXED PANEL SIDE FRAME	WOOD	ANDERSEN
9	INTERLOCK	PVC	ANDERSEN
10	JAMB CAP FLASHING	ALUMINUM	ANDERSEN
11	INSTALLATION STRAP	STEEL	ANDERSEN
12	PANEL STIFFENER	ALUMINUM	ANDERSEN

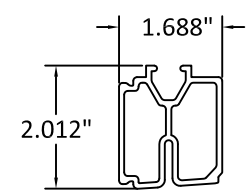
1 FRAME HEAD & JAMB WOOD



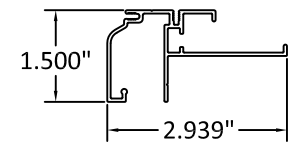
2 FRAME SILL INTERIOR ALUMINUM



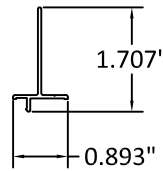
3 FRAME SILL EXTERIOR ALUMINUM



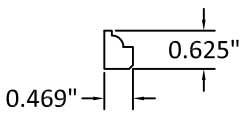
4 HEAD CAP FLASHING ALUMINUM



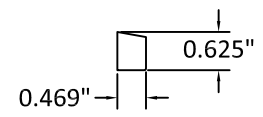
5 FLANGE FIN ALUMINUM



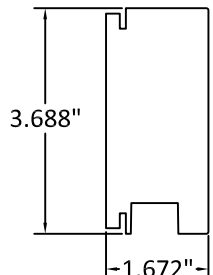
6 COLONIAL PANEL GLAZING STOP WOOD



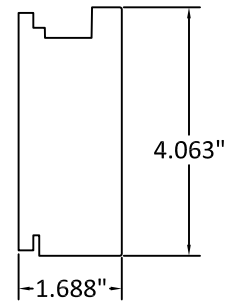
6A ALT. PANEL GLAZING STOP WOOD



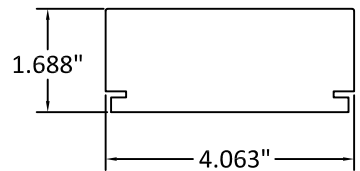
7 OPERABLE PANEL TOP & BOTTOM RAIL WOOD



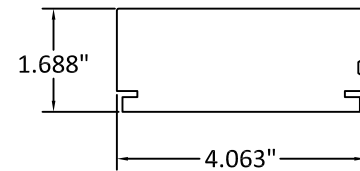
7A FIXED PANEL TOP & BOTTOM RAIL WOOD



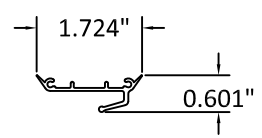
8 OPERABLE PANEL SIDE RAIL WOOD



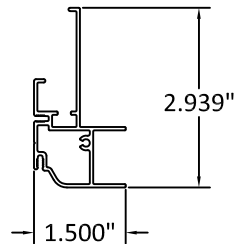
8A FIXED PANEL SIDE RAIL WOOD



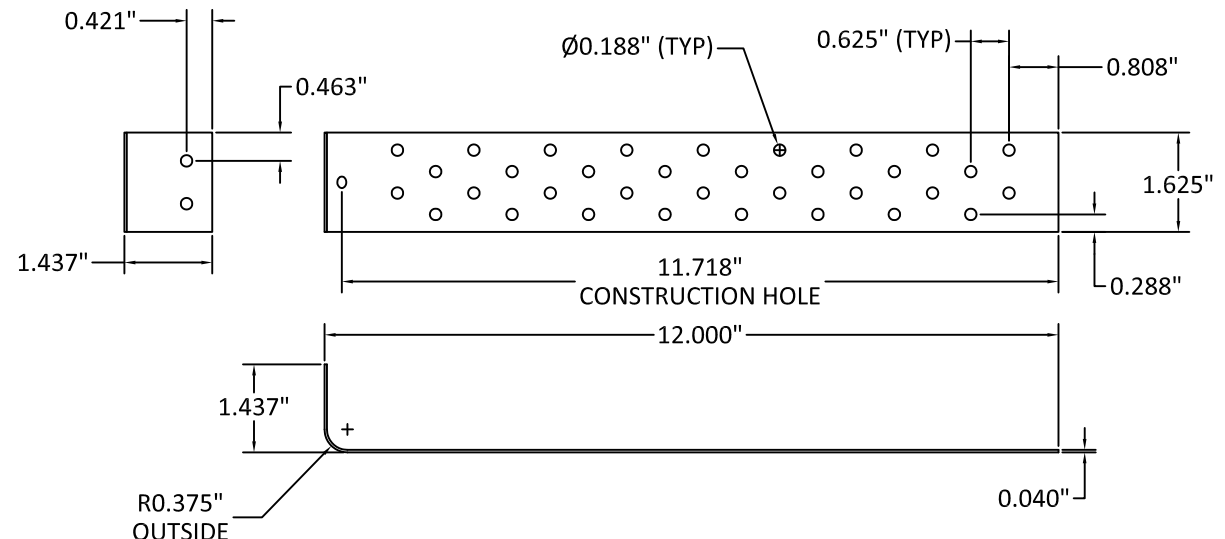
9 INTERLOCK PVC



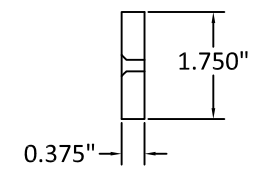
10 JAMB CAP FLASHING ALUMINUM



11 INSTALLATION STRAP GALVANIZED STEEL



12 PANEL STIFFENER ALUMINUM



Andersen
AW
WINDOWS • DOORS

100 FOURTH AVE NORTH
BAYPORT, MN 55003-1096
PH: (651) 264-5150 FX: (651) 264-5485

TITLE: E-SERIES FRENCH GLIDING PATIO DOOR (IMPACT) (HVHZ) BILL OF MATERIALS & COMPONENTS

PREPARED BY: BUILDING DROPS, INC.
398 E. DANIA BEACH BLVD., STE. 338
DANIA BEACH, FL 33004
PH: (954) 399-8478
FAX: (954) 744-4738
WEB: www.buildingdrops.com

REMARKS	BY	DATE

THIS DOCUMENT IS THE PROPERTY OF BUILDING DROPS, INC. AND SHALL NOT BE REPRODUCED IN WHOLE OR PART WITHOUT WRITTEN CONSENT OF BUILDING DROPS, INC. ALTERATIONS, ADDITIONS, HIGHLIGHTING, OR OTHER MARKINGS TO THIS DOCUMENT ARE NOT PERMITTED AND INVALIDATE OUR CERTIFICATION.

HERMES F. NORERO
LICENSED PROFESSIONAL ENGINEER
No. 73778
STATE OF FLORIDA

HERMES F. NORERO, P.E.
FLORIDA P.E. No. 73778
BUILDING DROPS, INC.
398 E. DANIA BEACH BLVD. # 338
DANIA BEACH, FL 33004
FBPE CERT. OF AUTHORIZATION No. 29578

FL #:
FL21476

DATE: **01.08.18**

DWG. BY: **RV** CHK. BY: **HFN**

SCALE: **NTS**

DWG. #: **AWD105**

SHEET
7
OF 7

s:\projects\andersen\windows\fb-17-1221-1-fbc-submittal-e-series-sliding-patio-door\dwg\awd105.dwg