
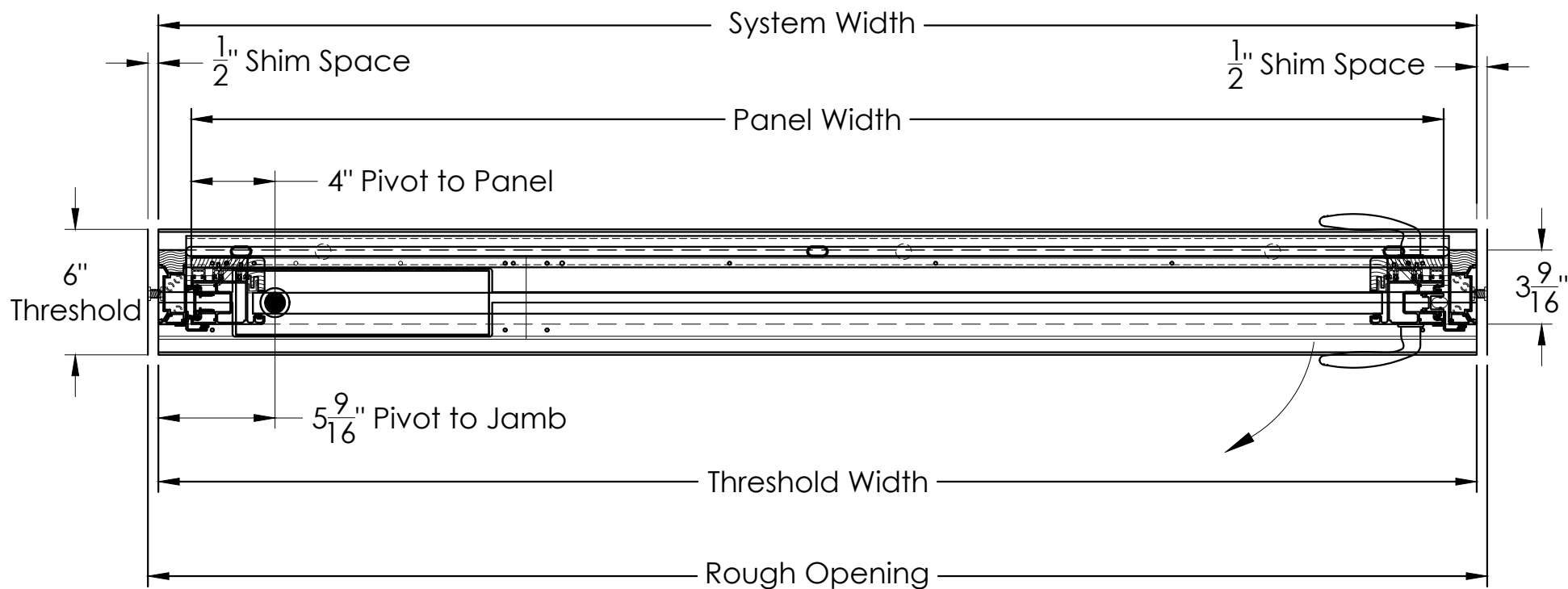



| | | | | | | | | | |
|-----|-----------------|-----|----------|--|-------------|----------------|---------------|----------|---|
| REV | REVISION NOTES | BY | DATE | JOB NAME | | | | REV |  andersenwindows.com Ph 760-722-8828 |
| A | Initial Release | --- | xx/xx/xx | JN | | | | A | |
| | | | | SYSTEM TYPE - CONFIGURATION | | | | | |
| | | | | AWPD-T - Single Left Pivot Outswing - Elevation View | | | | | |
| | | | | UNIT | QTY | SIZE | SCALE | DRAWN BY | |
| | | | | UN# | 1 | A | NTS | DB | |
| | | | | HANDLE COLOR | HANDLE TYPE | CYLINDER COLOR | CYLINDER TYPE | SHEET | |
| | | | | HNC | HNT | CYNC | Full | | |

Attention: Please take these drawings very seriously and make sure they are reviewed by all appropriate parties. By initialing the Drawing Package Approval Page you are stating that you understand and accept the dimensions on this drawing. These dimensions are the dimensions we will build to, no matter what is documented elsewhere. It is up to the customer to let us know what to build and this drawing is the final word in that process. This drawing and the information contained herein is proprietary to Weiland Sliding Doors and Windows, Inc., and shall not be reproduced, copied or disclosed in part or whole, without written permission by Weiland Sliding Doors and Windows, Inc.

Interior

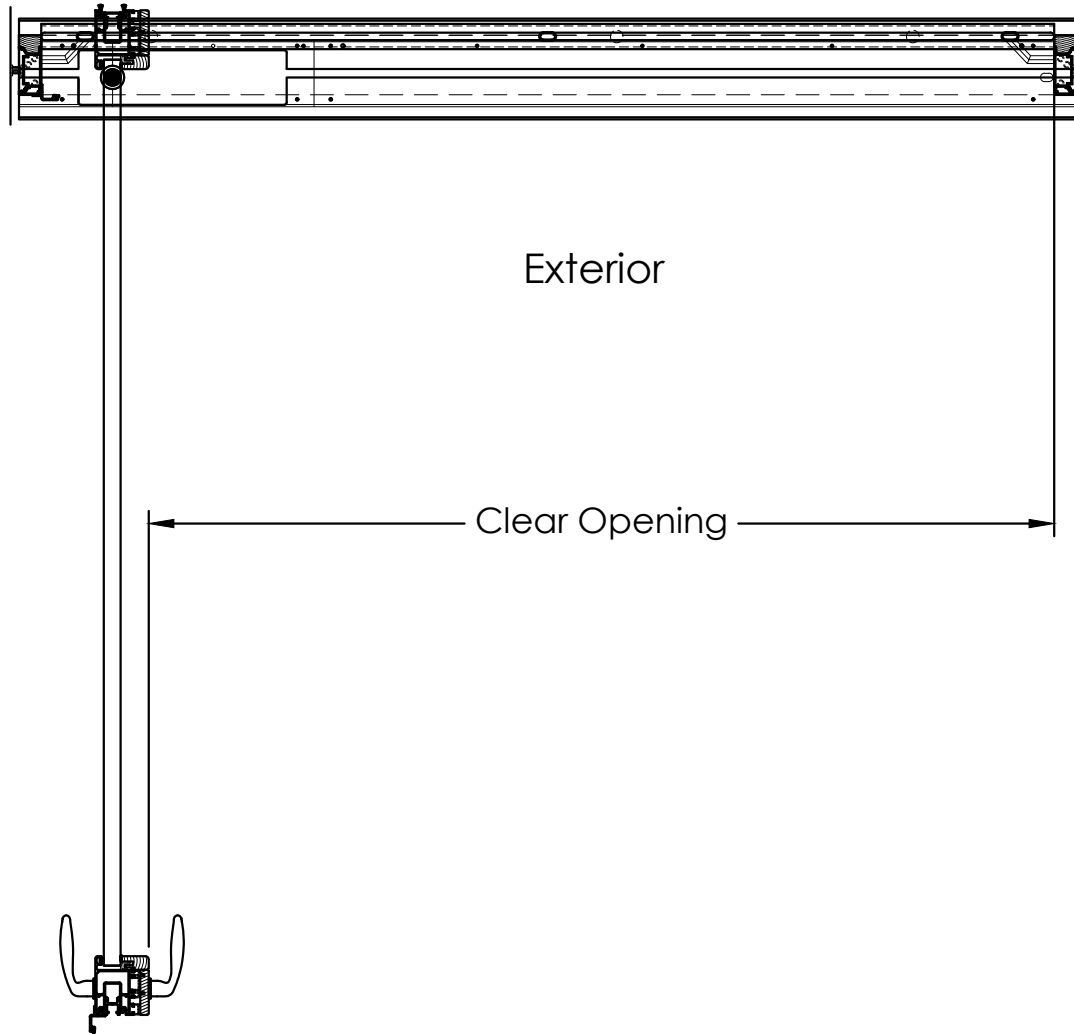


Exterior

| | | | | | | | | | |
|-----|-----------------|-----|----------|---|-------------|----------------|---------------|----------|---|
| REV | REVISION NOTES | BY | DATE | JOB NAME | | | | REV |  andersenwindows.com Ph 760-722-8828 |
| A | Initial Release | --- | xx/xx/xx | JN | | | | A | |
| | | | | SYSTEM TYPE - CONFIGURATION | | | | | |
| | | | | AWPD-T - Single Left Pivot Outswing - Plan View | | | | | |
| | | | | UNIT | QTY | SIZE | SCALE | DRAWN BY | |
| | | | | UN# | 1 | A | NTS | DB | |
| | | | | HANDLE COLOR | HANDLE TYPE | CYLINDER COLOR | CYLINDER TYPE | SHEET | |
| | | | | HNC | HNT | CYNC | Full | | |


Attention: Please take these drawings very seriously and make sure they are reviewed by all appropriate parties. By initialing the Drawing Package Approval Page you are stating that you understand and accept the dimensions on this drawing. These dimensions are the dimensions we will build to, no matter what is documented elsewhere. It is up to the customer to let us know what to build and this drawing is the final word in that process. This drawing and the information contained herein is proprietary to Weiland Sliding Doors and Windows, Inc., and shall not be reproduced, copied or disclosed in part or whole, without written permission by Weiland Sliding Doors and Windows, Inc.

Interior

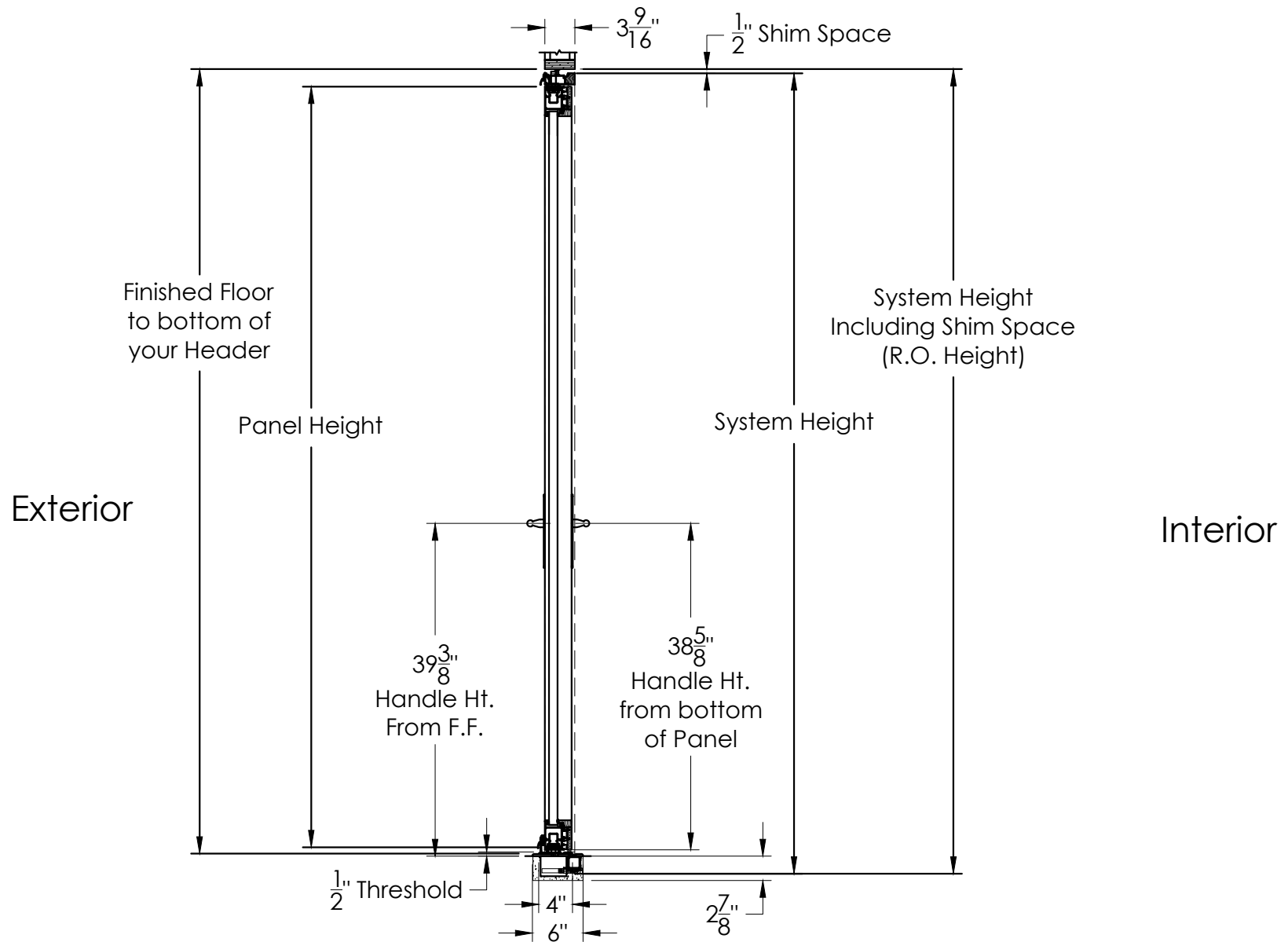



Exterior

Clear Opening

| | | | | | | | | | |
|-----|-----------------|-----|----------|---|-------------|----------------|---------------|----------|---|
| REV | REVISION NOTES | BY | DATE | JOB NAME | | | | REV |  andersenwindows.com Ph 760-722-8828 |
| A | Initial Release | --- | xx/xx/xx | JN | | | | A | |
| | | | | SYSTEM TYPE - CONFIGURATION | | | | | |
| | | | | AWPD-T - Single Left Pivot Outswing - Plan View, Open Condition | | | | | |
| | | | | UNIT | QTY | SIZE | SCALE | DRAWN BY | |
| | | | | UN# | 1 | A | NTS | DB | |
| | | | | HANDLE COLOR | HANDLE TYPE | CYLINDER COLOR | CYLINDER TYPE | SHEET | |
| | | | | HNC | HNT | CYNC | Full | | |

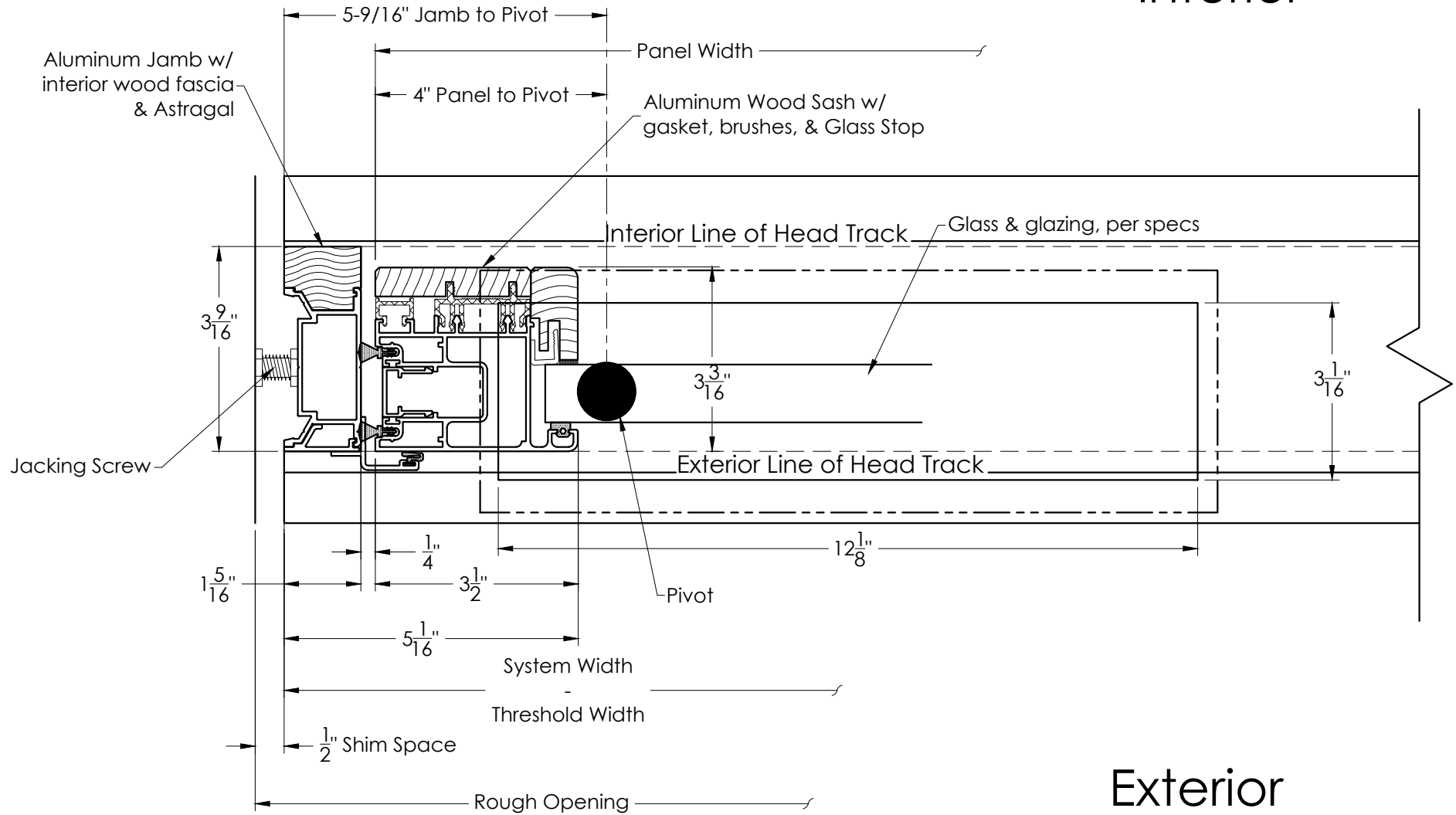
Attention: Please take these drawings very seriously and make sure they are reviewed by all appropriate parties. By initialing the Drawing Package Approval Page you are stating that you understand and accept the dimensions on this drawing. These dimensions are the dimensions we will build to, no matter what is documented elsewhere. It is up to the customer to let us know what to build and this drawing is the final word in that process. This drawing and the information contained herein is proprietary to Weiland Sliding Doors and Windows, Inc., and shall not be reproduced, copied or disclosed in part or whole, without written permission by Weiland Sliding Doors and Windows, Inc.




| | | | | | | | | | |
|-----|-----------------|-----|----------|--|-------------|----------------|---------------|----------|---|
| REV | REVISION NOTES | BY | DATE | JOB NAME | | | | REV |  andersenwindows.com Ph 760-722-8828 |
| A | Initial Release | --- | xx/xx/xx | JN | | | | A | |
| | | | | SYSTEM TYPE - CONFIGURATION | | | | | |
| | | | | AWPD-T - Single Left Pivot Outswing - Vertical Section | | | | | |
| | | | | UNIT | QTY | SIZE | SCALE | DRAWN BY | |
| | | | | UN# | 1 | A | NTS | DB | |
| | | | | HANDLE COLOR | HANDLE TYPE | CYLINDER COLOR | CYLINDER TYPE | SHEET | |
| | | | | HNC | HNT | CYNC | Full | | |

Attention: Please take these drawings very seriously and make sure they are reviewed by all appropriate parties. By initialing the Drawing Package Approval Page you are stating that you understand and accept the dimensions on this drawing. These dimensions are the dimensions we will build to, no matter what is documented elsewhere. It is up to the customer to let us know what to build and this drawing is the final word in that process. This drawing and the information contained herein is proprietary to Weiland Sliding Doors and Windows, Inc., and shall not be reproduced, copied or disclosed in part or whole, without written permission by Weiland Sliding Doors and Windows, Inc.

Interior

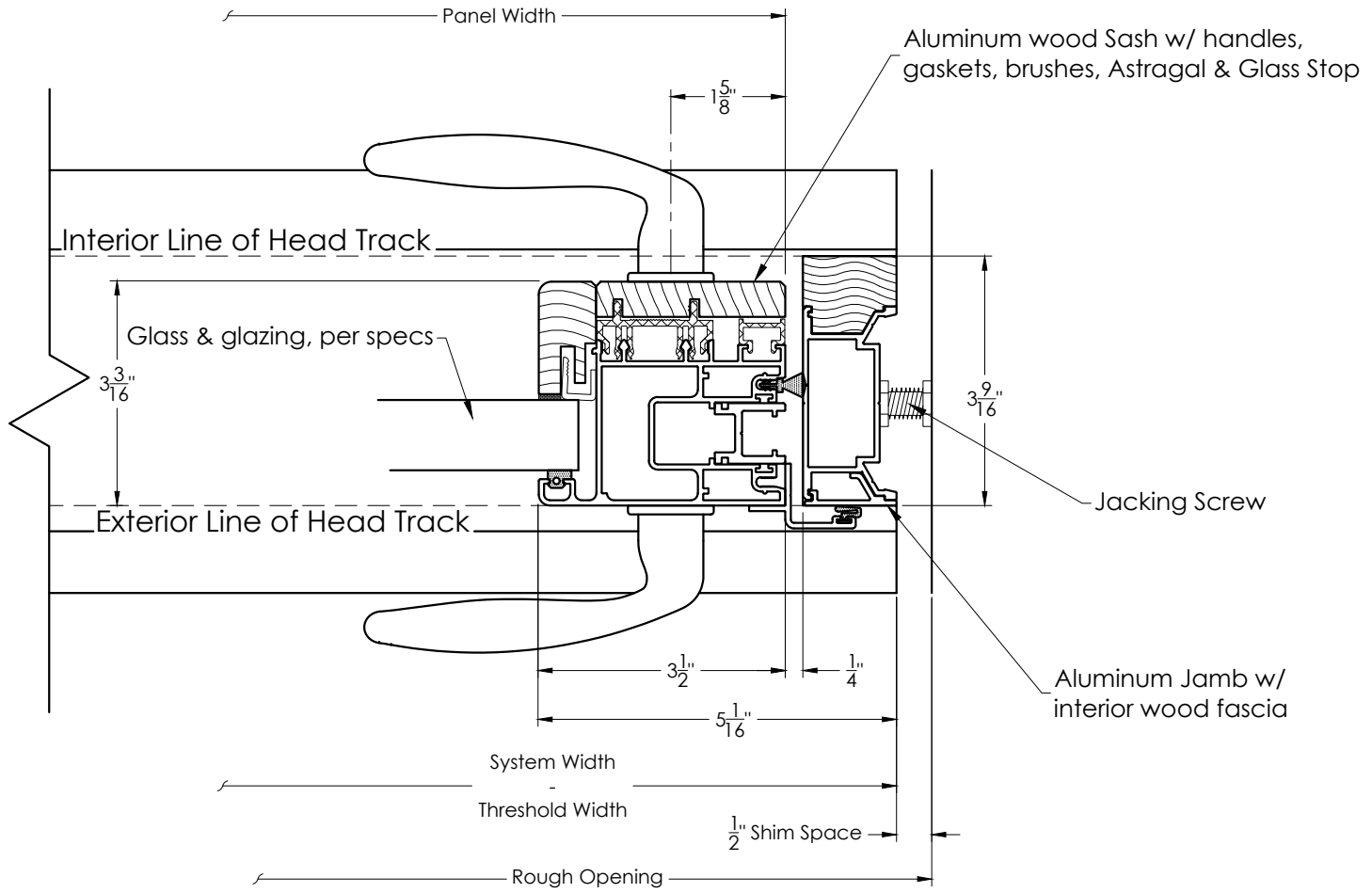


Exterior


| | | | | | | | | | |
|-----|-----------------|-----|----------|--|-------------|----------------|---------------|----------|---|
| REV | REVISION NOTES | BY | DATE | JOB NAME | | | | REV |  andersenwindows.com Ph 760-722-8828 |
| A | Initial Release | --- | xx/xx/xx | JN | | | | A | |
| | | | | SYSTEM TYPE - CONFIGURATION | | | | | |
| | | | | AWPD-T - Single Left Pivot Outswing - Detail - Left Jamb, Pivot Side | | | | | |
| | | | | UNIT | QTY | SIZE | SCALE | DRAWN BY | |
| | | | | UN# | 1 | A | NTS | DB | |
| | | | | HANDLE COLOR | HANDLE TYPE | CYLINDER COLOR | CYLINDER TYPE | SHEET | |
| | | | | HNC | HNT | CYNC | Full | | |

Attention: Please take these drawings very seriously and make sure they are reviewed by all appropriate parties. By initialing the Drawing Package Approval Page you are stating that you understand and accept the dimensions on this drawing. These dimensions are the dimensions we will build to, no matter what is documented elsewhere. It is up to the customer to let us know what to build and this drawing is the final word in that process. This drawing and the information contained herein is proprietary to Weiland Sliding Doors and Windows, Inc., and shall not be reproduced, copied or disclosed in part or whole, without written permission by Weiland Sliding Doors and Windows, Inc.

Interior



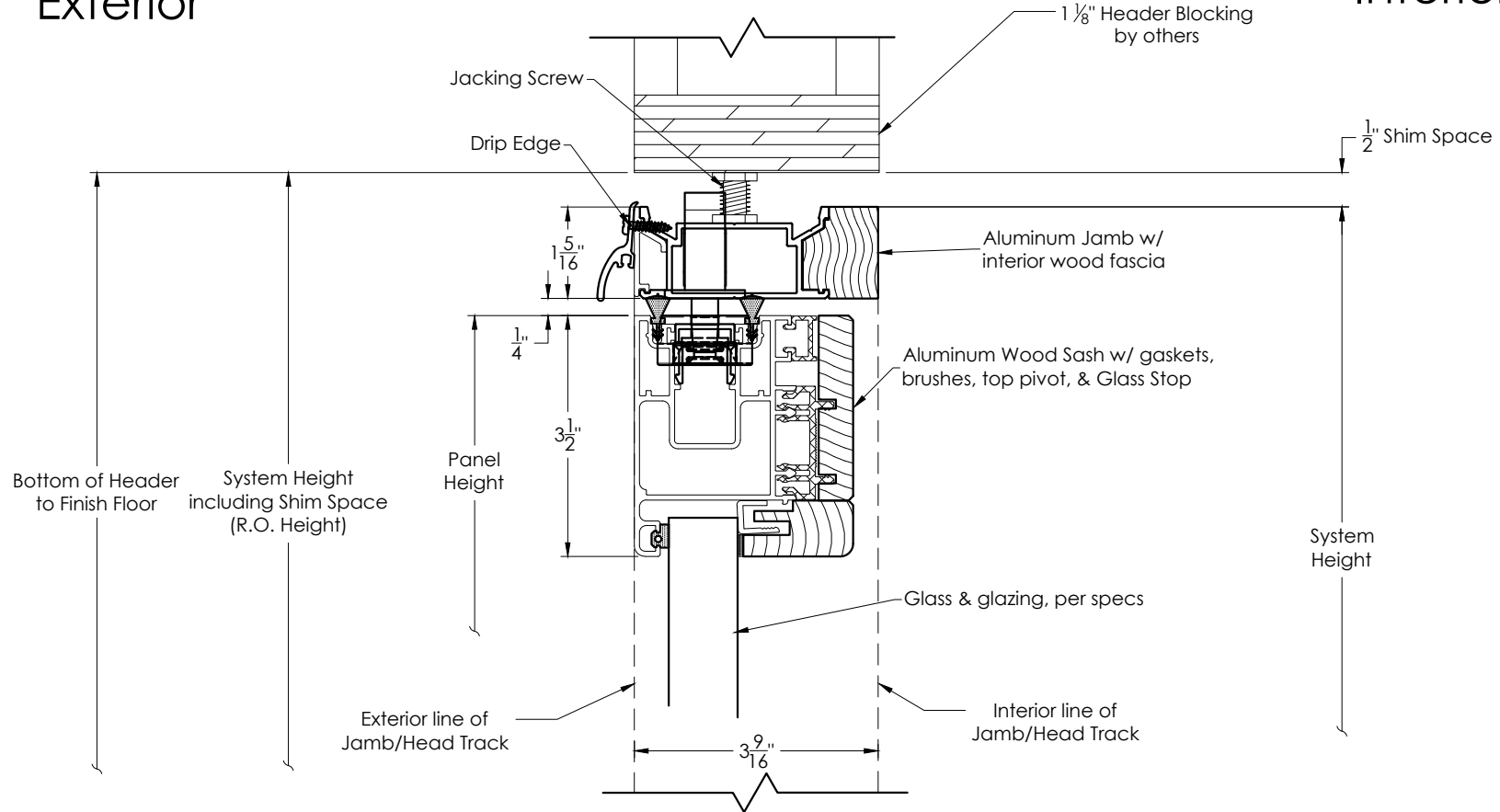
Exterior


| | | | | | | | | | |
|-----|-----------------|-----|----------|---|-------------|----------------|---------------|----------|---|
| REV | REVISION NOTES | BY | DATE | JOB NAME | | | | REV |  andersenwindows.com Ph 760-722-8828 |
| A | Initial Release | --- | xx/xx/xx | JN | | | | A | |
| | | | | SYSTEM TYPE - CONFIGURATION | | | | | |
| | | | | AWPD-T - Single Left Pivot Outswing - Detail - Right Jamb, Handled Side | | | | | |
| | | | | UNIT | QTY | SIZE | SCALE | DRAWN BY | |
| | | | | UN# | 1 | A | NTS | DB | |
| | | | | HANDLE COLOR | HANDLE TYPE | CYLINDER COLOR | CYLINDER TYPE | SHEET | |
| | | | | HNC | HNT | CYNC | Full | | |

Attention: Please take these drawings very seriously and make sure they are reviewed by all appropriate parties. By initialing the Drawing Package Approval Page you are stating that you understand and accept the dimensions on this drawing. These dimensions are the dimensions we will build to, no matter what is documented elsewhere. It is up to the customer to let us know what to build and this drawing is the final word in that process. This drawing and the information contained herein is proprietary to Weiland Sliding Doors and Windows, Inc., and shall not be reproduced, copied or disclosed in part or whole, without written permission by Weiland Sliding Doors and Windows, Inc.

Exterior

Interior

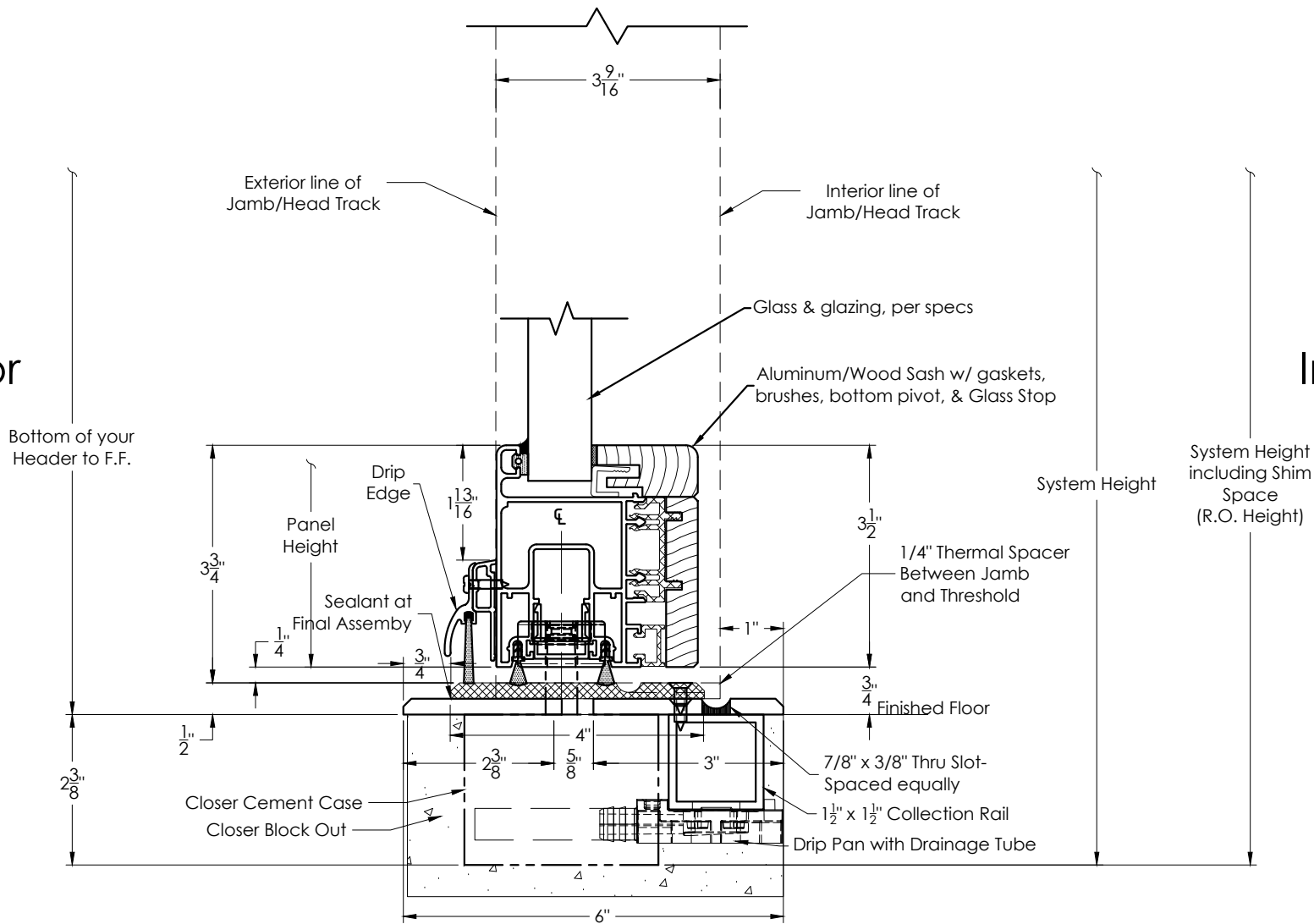


| | | | | | | | | | |
|-----|-----------------|-----|----------|---|-------------|----------------|---------------|----------|---|
| REV | REVISION NOTES | BY | DATE | JOB NAME | | | | REV |  andersenwindows.com Ph 760-722-8828 |
| A | Initial Release | --- | xx/xx/xx | JN | | | | A | |
| | | | | SYSTEM TYPE - CONFIGURATION | | | | | |
| | | | | AWPD-T - Single Left Pivot Outswing - Detail - Top Jamb | | | | | |
| | | | | UNIT | QTY | SIZE | SCALE | DRAWN BY | |
| | | | | UN# | 1 | A | NTS | DB | |
| | | | | HANDLE COLOR | HANDLE TYPE | CYLINDER COLOR | CYLINDER TYPE | SHEET | |
| | | | | HNC | HNT | CYNC | Full | | |

Attention: Please take these drawings very seriously and make sure they are reviewed by all appropriate parties. By initialing the Drawing Package Approval Page you are stating that you understand and accept the dimensions on this drawing. These dimensions are the dimensions we will build to, no matter what is documented elsewhere. It is up to the customer to let us know what to build and this drawing is the final word in that process. This drawing and the information contained herein is proprietary to Weiland Sliding Doors and Windows, Inc., and shall not be reproduced, copied or disclosed in part or whole, without written permission by Weiland Sliding Doors and Windows, Inc.

Exterior

Interior

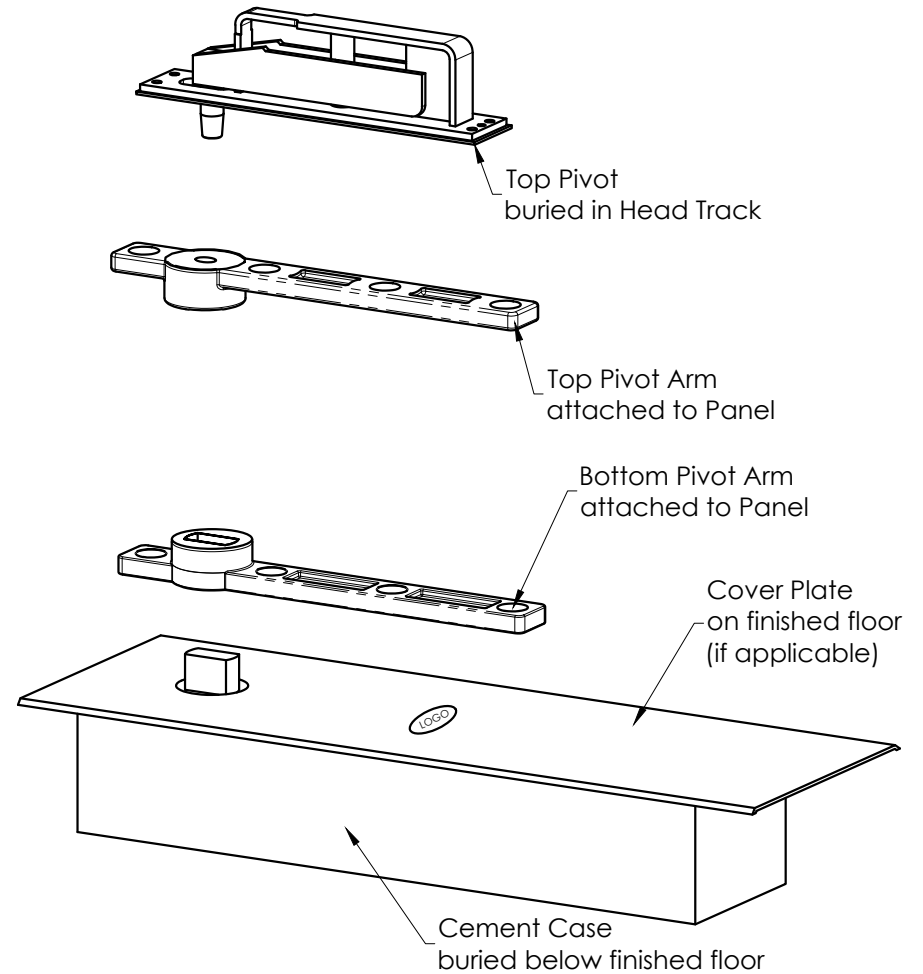
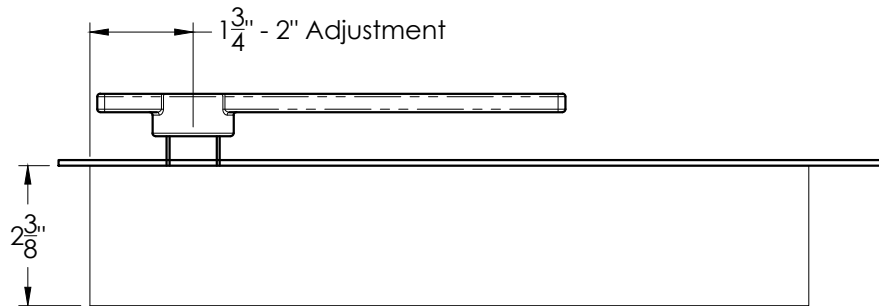
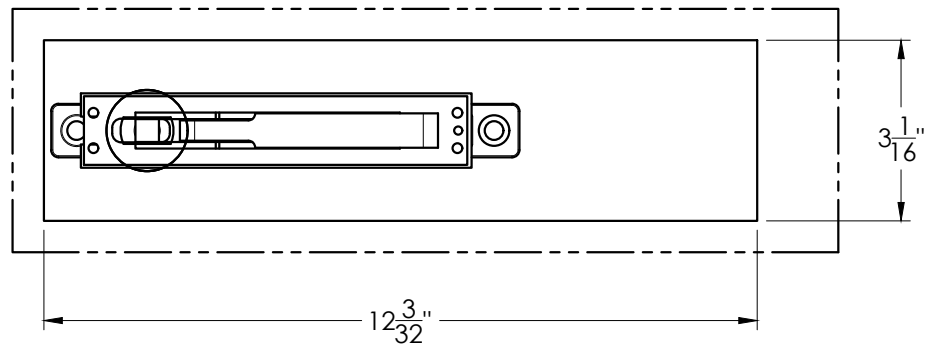



| REV | REVISION NOTES | BY | DATE |
|-----|-----------------|-----|----------|
| A | Initial Release | --- | xx/xx/xx |

| | | | | |
|---|-------------|----------------|---------------|----------|
| JOB NAME | | | | REV |
| JN | | | | A |
| SYSTEM TYPE - CONFIGURATION | | | | |
| AWPD-T - Single Left Pivot Outswing - Detail - Legacy Thermally-Broken High Performance Threshold | | | | |
| UNIT | QTY | SIZE | SCALE | DRAWN BY |
| UN# | 1 | A | NTS | DB |
| HANDLE COLOR | HANDLE TYPE | CYLINDER COLOR | CYLINDER TYPE | SHEET |
| HNC | HNT | CYNC | Full | |

andersenwindows.com
Ph 760-722-8828

Attention: Please take these drawings very seriously and make sure they are reviewed by all appropriate parties. By initialing the Drawing Package Approval Page you are stating that you understand and accept the dimensions on this drawing. These dimensions are the dimensions we will build to, no matter what is documented elsewhere. It is up to the customer to let us know what to build and this drawing is the final word in that process. This drawing and the information contained herein is proprietary to Weiland Sliding Doors and Windows, Inc., and shall not be reproduced, copied or disclosed in part or whole, without written permission by Weiland Sliding Doors and Windows, Inc.



| | | | | | | | | | |
|-----|-----------------|-----|----------|---------------------------------|-------------|----------------|---------------|----------|---|
| REV | REVISION NOTES | BY | DATE | JOB NAME | | | | REV |  andersenwindows.com Ph 760-722-8828 |
| A | Initial Release | --- | xx/xx/xx | JN | | | | A | |
| | | | | SYSTEM TYPE - CONFIGURATION | | | | | |
| | | | | Generic Detail - Pivot Hardware | | | | | |
| | | | | UNIT | QTY | SIZE | SCALE | DRAWN BY | |
| | | | | UN# | 1 | A | NTS | DB | |
| | | | | HANDLE COLOR | HANDLE TYPE | CYLINDER COLOR | CYLINDER TYPE | SHEET | |
| | | | | HNC | HNT | CYNC | Full | | |

Attention: Please take these drawings very seriously and make sure they are reviewed by all appropriate parties. By initialing the Drawing Package Approval Page you are stating that you understand and accept the dimensions on this drawing. These dimensions are the dimensions we will build to, no matter what is documented elsewhere. It is up to the customer to let us know what to build and this drawing is the final word in that process. This drawing and the information contained herein is proprietary to Weiland Sliding Doors and Windows, Inc., and shall not be reproduced, copied or disclosed in part or whole, without written permission by Weiland Sliding Doors and Windows, Inc.