
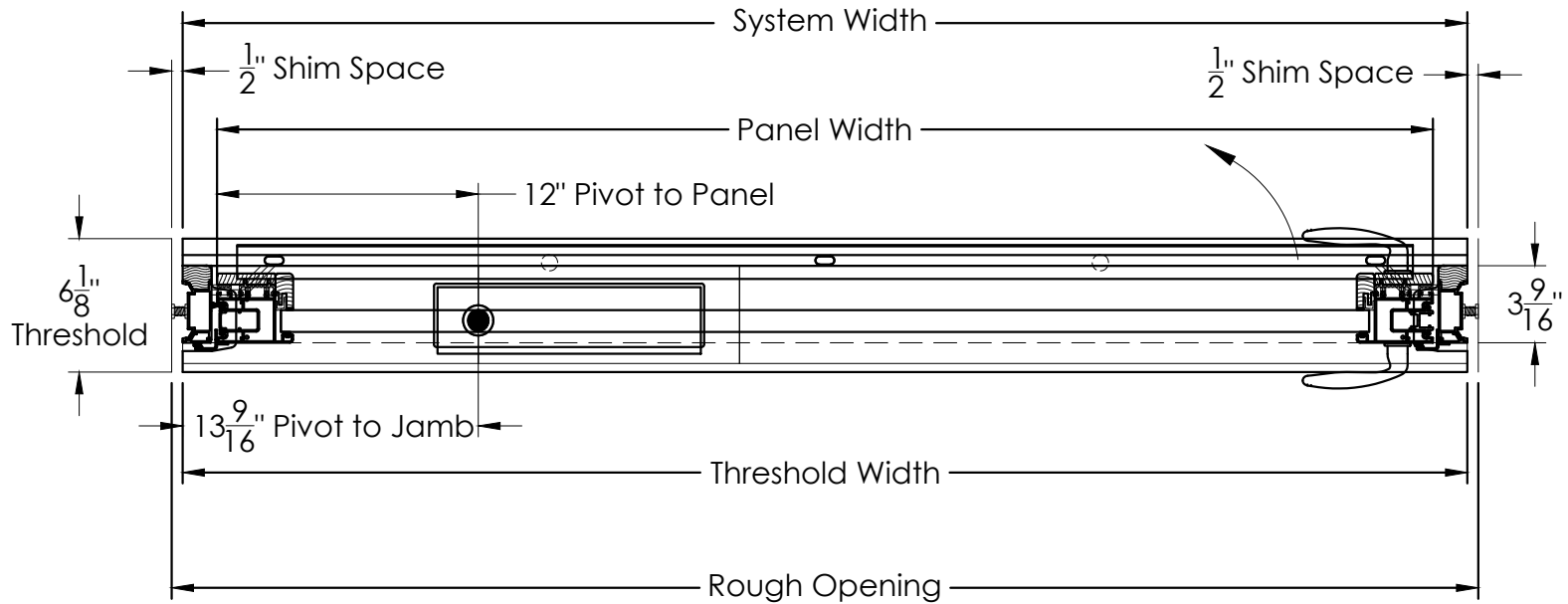


| | | | | | | | | | |
|-----|-----------------|-----|----------|---|-------------|----------------|---------------|----------|---|
| REV | REVISION NOTES | BY | DATE | JOB NAME | | | | REV |  andersenwindows.com Ph 760-722-8828 |
| A | Initial Release | --- | xx/xx/xx | JN | | | | A | |
| | | | | SYSTEM TYPE - CONFIGURATION | | | | | |
| | | | | AWPD - Single Left Pivot Inswing - Elevation View | | | | | |
| | | | | UNIT | QTY | SIZE | SCALE | DRAWN BY | |
| | | | | Unit 1 | 1 | A | NTS | DB | |
| | | | | HANDLE COLOR | HANDLE TYPE | CYLINDER COLOR | CYLINDER TYPE | SHEET | |
| | | | | HNC | HNT | CYNC | Full | | |

Attention: Please take these drawings very seriously and make sure they are reviewed by all appropriate parties. By initialing the Drawing Package Approval Page you are stating that you understand and accept the dimensions on this drawing. These dimensions are the dimensions we will build to, no matter what is documented elsewhere. It is up to the customer to let us know what to build and this drawing is the final word in that process. This drawing and the information contained herein is proprietary to Weiland Sliding Doors and Windows, Inc., and shall not be reproduced, copied or disclosed in part or whole, without written permission by Weiland Sliding Doors and Windows, Inc.

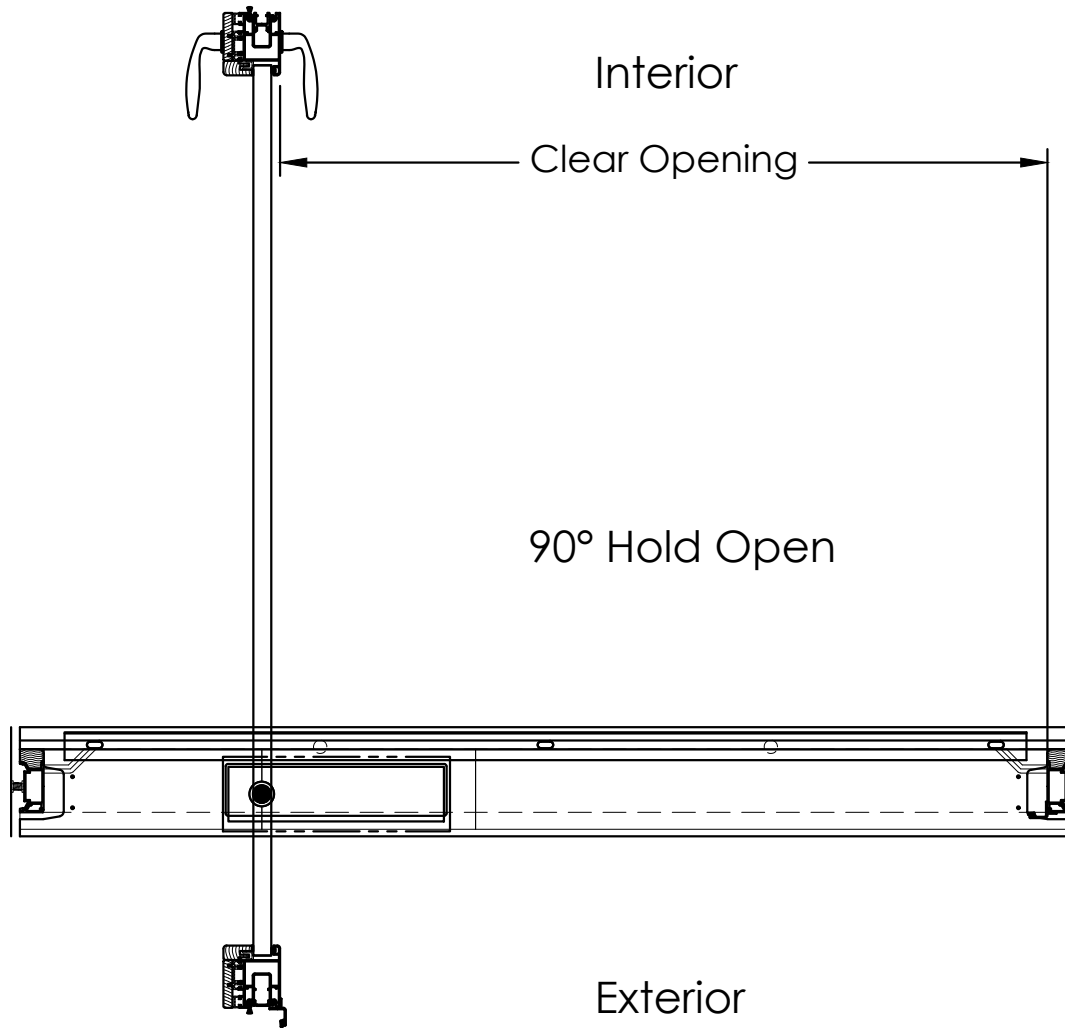
Interior




Exterior

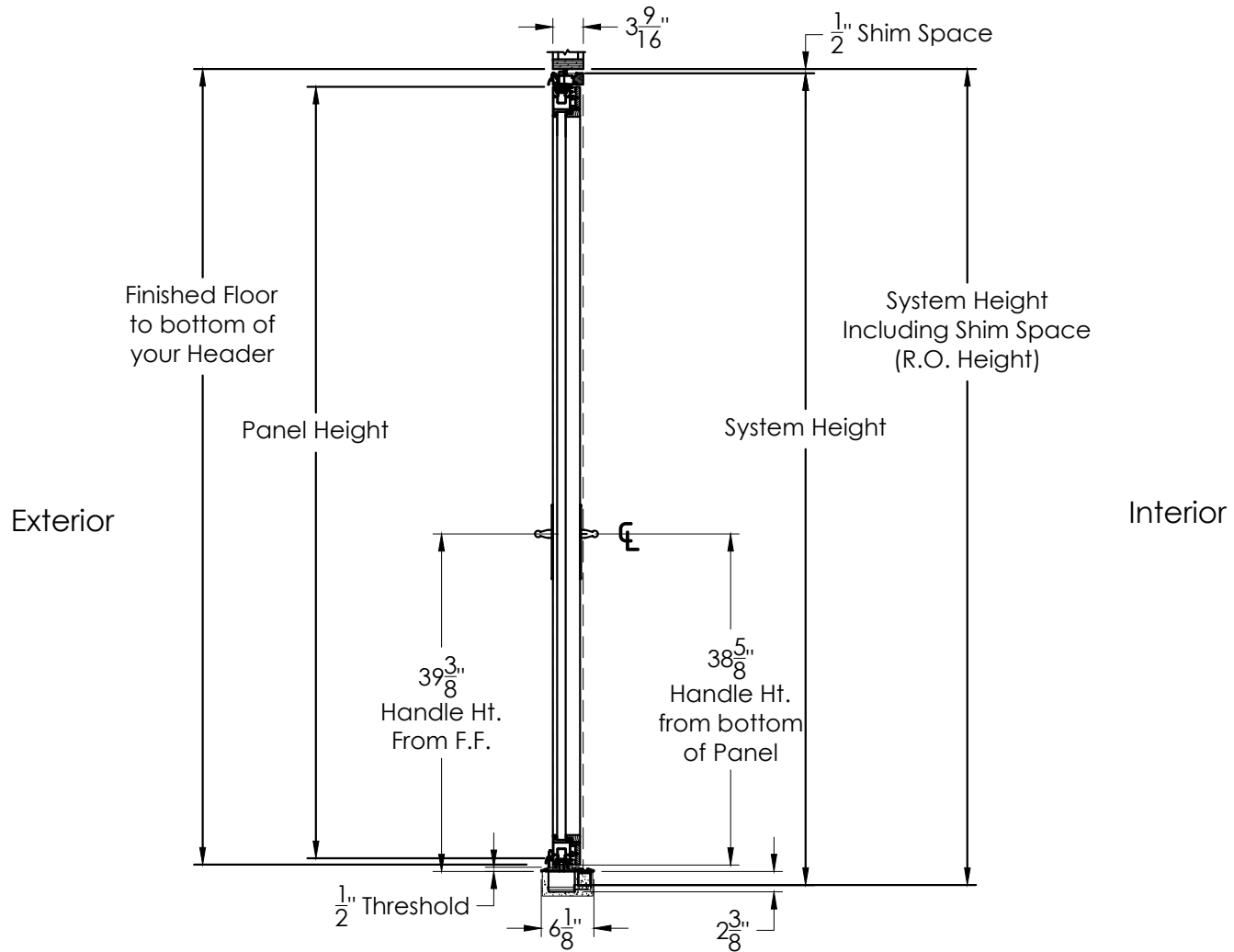
| | | | | | | | | |
|-----|-----------------|-----|----------|--|-------------|--|---------------|-------|
| REV | REVISION NOTES | BY | DATE | JOB NAME | REV | andersenwindows.com Ph 760-722-8828 | | |
| A | Initial Release | --- | xx/xx/xx | JN | A | | | |
| | | | | SYSTEM TYPE - CONFIGURATION | | | | |
| | | | | AWPD - Single Left Pivot Inswing - Plan View | | | | |
| | | | | UNIT | QTY | | | SIZE |
| | | | | Unit 1 | 1 | A | NTS | DB |
| | | | | HANDLE COLOR | HANDLE TYPE | CYLINDER COLOR | CYLINDER TYPE | SHEET |
| | | | | HNC | HNT | CYNC | Full | |


Attention: Please take these drawings very seriously and make sure they are reviewed by all appropriate parties. By initialing the Drawing Package Approval Page you are stating that you understand and accept the dimensions on this drawing. These dimensions are the dimensions we will build to, no matter what is documented elsewhere. It is up to the customer to let us know what to build and this drawing is the final word in that process. This drawing and the information contained herein is proprietary to Weiland Sliding Doors and Windows, Inc., and shall not be reproduced, copied or disclosed in part or whole, without written permission by Weiland Sliding Doors and Windows, Inc.



| | | | | | | | | | |
|-----|-----------------|-----|----------|--|-------------|----------------|---------------|----------|---|
| REV | REVISION NOTES | BY | DATE | JOB NAME | | | | REV |  andersenwindows.com Ph 760-722-8828 |
| A | Initial Release | --- | xx/xx/xx | JN | | | | A | |
| | | | | SYSTEM TYPE - CONFIGURATION | | | | | |
| | | | | AWPD - Single Left Pivot Inswing - Plan View, Open Condition | | | | | |
| | | | | UNIT | QTY | SIZE | SCALE | DRAWN BY | |
| | | | | Unit 1 | 1 | A | NTS | DB | |
| | | | | HANDLE COLOR | HANDLE TYPE | CYLINDER COLOR | CYLINDER TYPE | SHEET | |
| | | | | HNC | HNT | CYNC | Full | | |

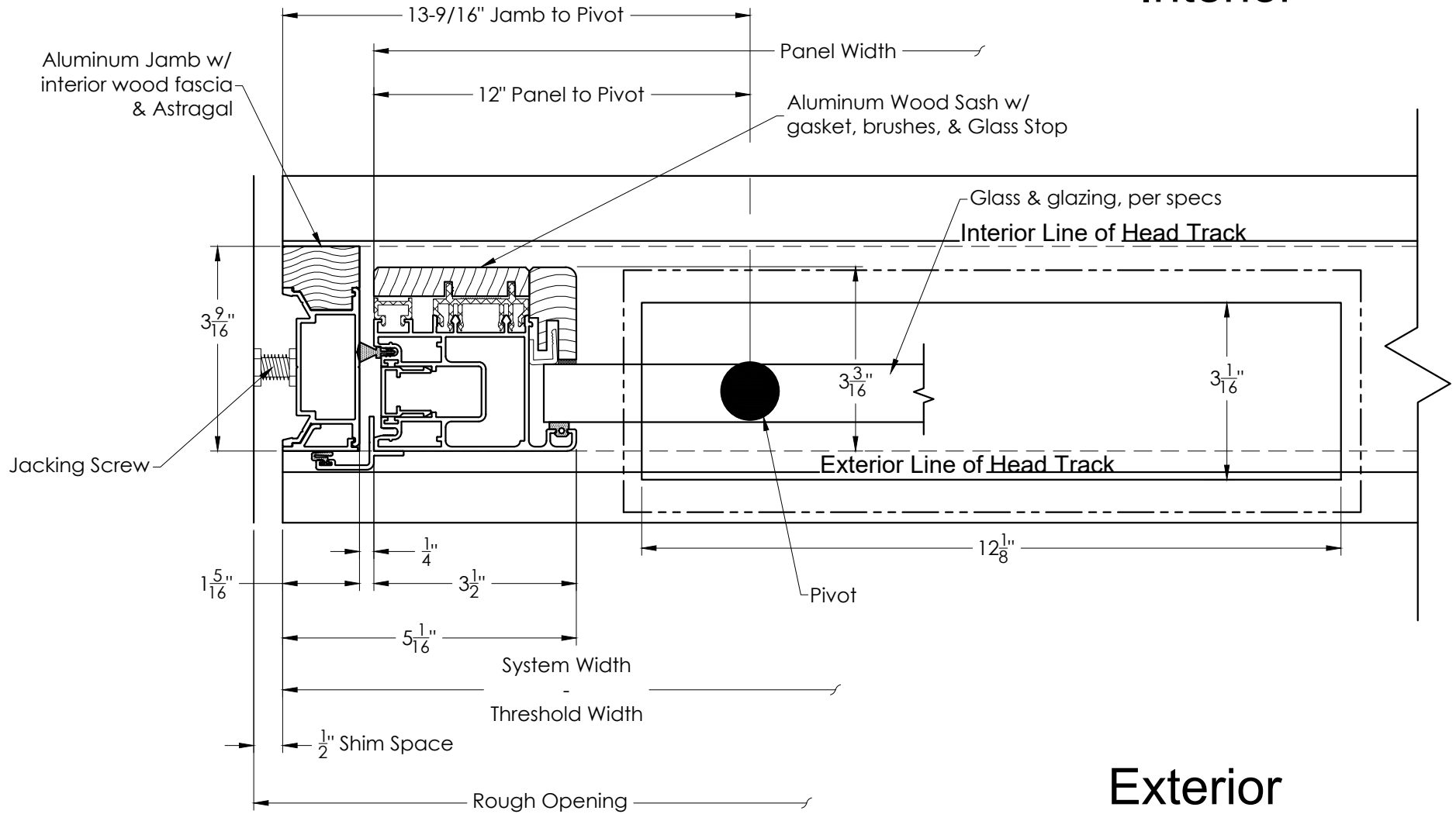
Attention: Please take these drawings very seriously and make sure they are reviewed by all appropriate parties. By initialing the Drawing Package Approval Page you are stating that you understand and accept the dimensions on this drawing. These dimensions are the dimensions we will build to, no matter what is documented elsewhere. It is up to the customer to let us know what to build and this drawing is the final word in that process. This drawing and the information contained herein is proprietary to Weiland Sliding Doors and Windows, Inc., and shall not be reproduced, copied or disclosed in part or whole, without written permission by Weiland Sliding Doors and Windows, Inc.




| | | | | | | | | | |
|-----|-----------------|-----|----------|---|-------------|----------------|---------------|----------|---|
| REV | REVISION NOTES | BY | DATE | JOB NAME | | | | REV |  andersenwindows.com Ph 760-722-8828 |
| A | Initial Release | --- | xx/xx/xx | JN | | | | A | |
| | | | | SYSTEM TYPE - CONFIGURATION | | | | | |
| | | | | AWPD - Single Left Pivot Inswing - Vertical Section | | | | | |
| | | | | UNIT | QTY | SIZE | SCALE | DRAWN BY | |
| | | | | Unit 1 | 1 | A | NTS | DB | |
| | | | | HANDLE COLOR | HANDLE TYPE | CYLINDER COLOR | CYLINDER TYPE | SHEET | |
| | | | | HNC | HNT | CYNC | Full | | |

Attention: Please take these drawings very seriously and make sure they are reviewed by all appropriate parties. By initialing the Drawing Package Approval Page you are stating that you understand and accept the dimensions on this drawing. These dimensions are the dimensions we will build to, no matter what is documented elsewhere. It is up to the customer to let us know what to build and this drawing is the final word in that process. This drawing and the information contained herein is proprietary to Weiland Sliding Doors and Windows, Inc., and shall not be reproduced, copied or disclosed in part or whole, without written permission by Weiland Sliding Doors and Windows, Inc.

Interior

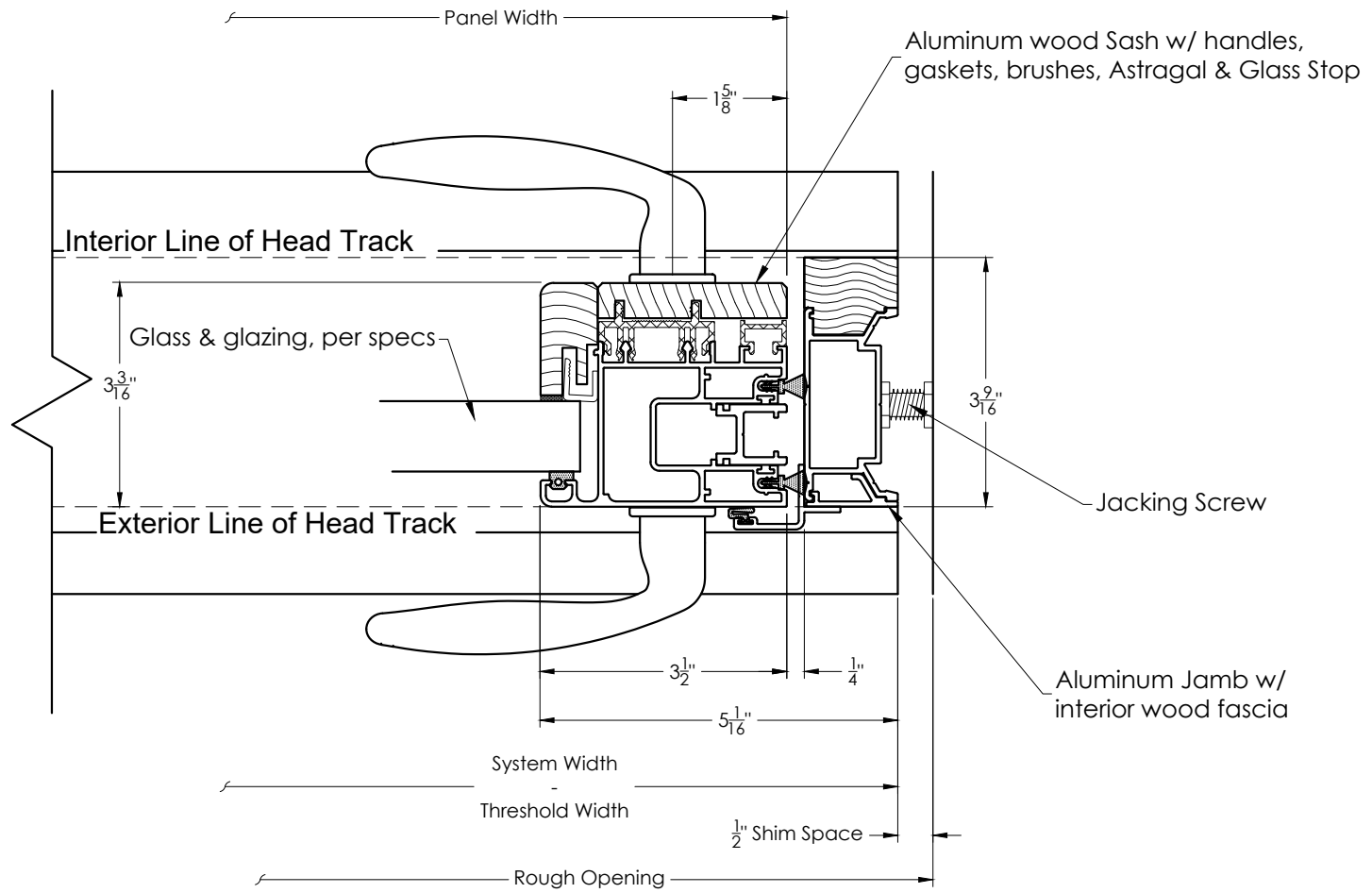


Exterior


| | | | | | | | | | |
|-----|-----------------|-----|----------|---|-------------|----------------|---------------|----------|---|
| REV | REVISION NOTES | BY | DATE | JOB NAME | | | | REV |  andersenwindows.com Ph 760-722-8828 |
| A | Initial Release | --- | xx/xx/xx | JN | | | | A | |
| | | | | SYSTEM TYPE - CONFIGURATION | | | | | |
| | | | | AWPD - Single Left Pivot Inswing - Detail - Left Jamb, Pivot Side | | | | | |
| | | | | UNIT | QTY | SIZE | SCALE | DRAWN BY | |
| | | | | Unit 1 | 1 | A | NTS | DB | |
| | | | | HANDLE COLOR | HANDLE TYPE | CYLINDER COLOR | CYLINDER TYPE | SHEET | |
| | | | | HNC | HNT | CYNC | Full | | |

Attention: Please take these drawings very seriously and make sure they are reviewed by all appropriate parties. By initialing the Drawing Package Approval Page you are stating that you understand and accept the dimensions on this drawing. These dimensions are the dimensions we will build to, no matter what is documented elsewhere. It is up to the customer to let us know what to build and this drawing is the final word in that process. This drawing and the information contained herein is proprietary to Weiland Sliding Doors and Windows, Inc., and shall not be reproduced, copied or disclosed in part or whole, without written permission by Weiland Sliding Doors and Windows, Inc.

Interior



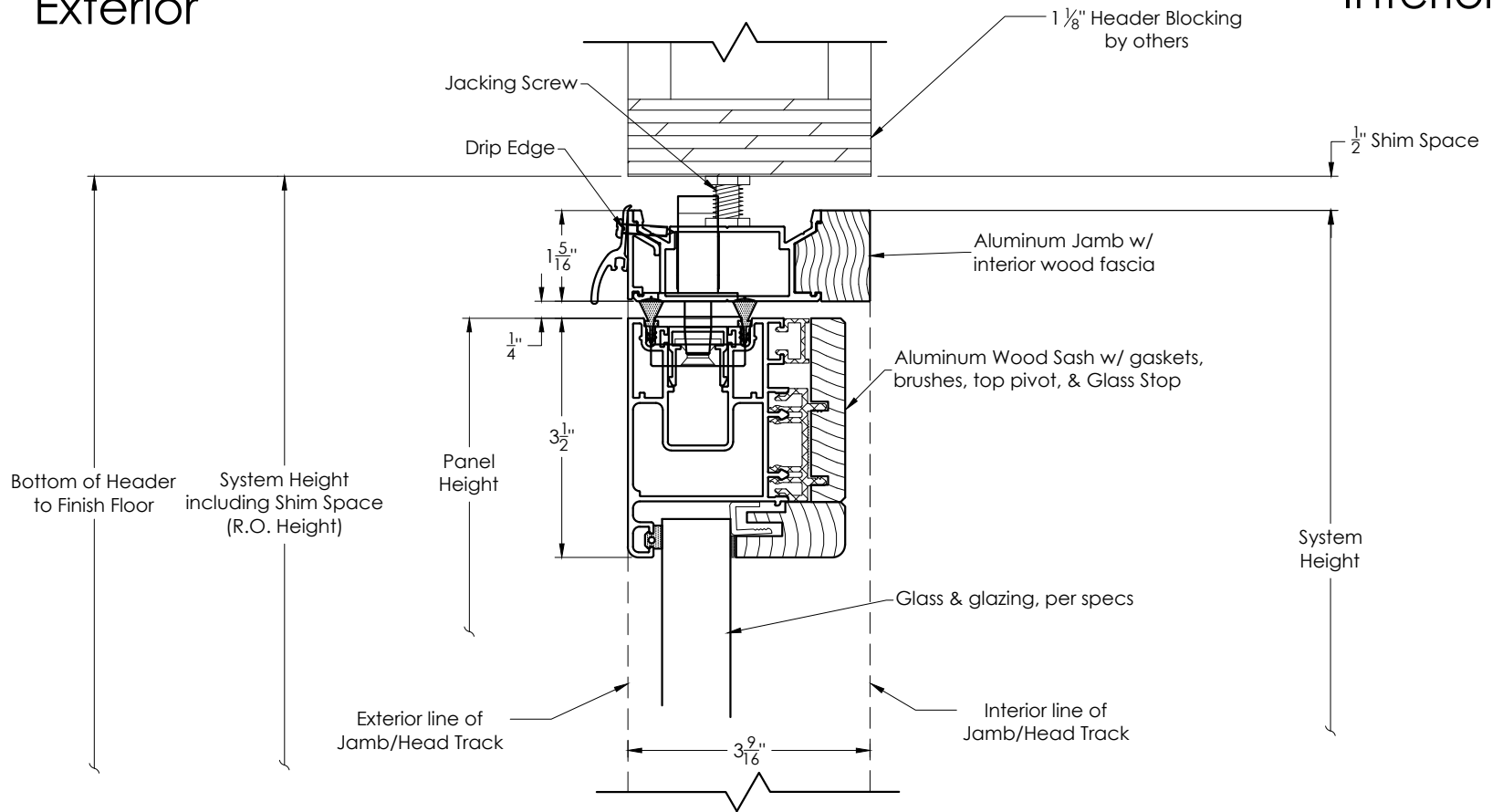
Exterior


| | | | | | | | | | |
|-----|-----------------|-----|----------|--|-------------|----------------|---------------|----------|---|
| REV | REVISION NOTES | BY | DATE | JOB NAME | | | | REV |  andersenwindows.com Ph 760-722-8828 |
| A | Initial Release | --- | xx/xx/xx | JN | | | | A | |
| | | | | SYSTEM TYPE - CONFIGURATION | | | | | |
| | | | | AWPD - Single Left Pivot Inswing - Detail - Right Jamb, Handled Side | | | | | |
| | | | | UNIT | QTY | SIZE | SCALE | DRAWN BY | |
| | | | | Unit 1 | 1 | A | NTS | DB | |
| | | | | HANDLE COLOR | HANDLE TYPE | CYLINDER COLOR | CYLINDER TYPE | SHEET | |
| | | | | HNC | HNT | CYNC | Full | | |

Attention: Please take these drawings very seriously and make sure they are reviewed by all appropriate parties. By initialing the Drawing Package Approval Page you are stating that you understand and accept the dimensions on this drawing. These dimensions are the dimensions we will build to, no matter what is documented elsewhere. It is up to the customer to let us know what to build and this drawing is the final word in that process. This drawing and the information contained herein is proprietary to Weiland Sliding Doors and Windows, Inc., and shall not be reproduced, copied or disclosed in part or whole, without written permission by Weiland Sliding Doors and Windows, Inc.

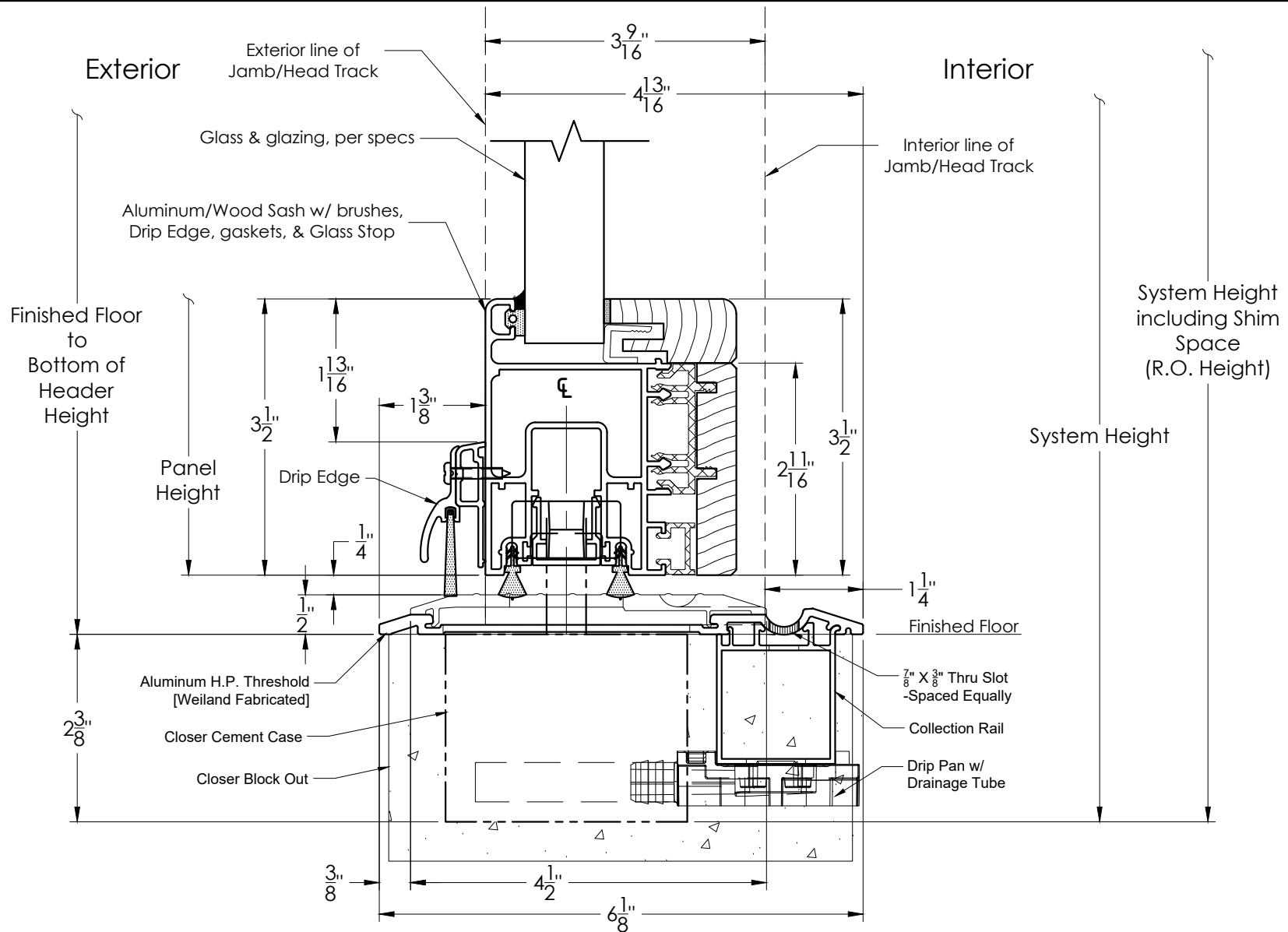
Exterior

Interior



| | | | | | | | | | |
|-----|-----------------|-----|----------|--|-------------|----------------|---------------|----------|---|
| REV | REVISION NOTES | BY | DATE | JOB NAME | | | | REV |  andersenwindows.com Ph 760-722-8828 |
| A | Initial Release | --- | xx/xx/xx | JN | | | | A | |
| | | | | SYSTEM TYPE - CONFIGURATION | | | | | |
| | | | | AWPD - Single Left Pivot Inswing - Detail - Top Jamb | | | | | |
| | | | | UNIT | QTY | SIZE | SCALE | DRAWN BY | |
| | | | | Unit 1 | 1 | A | NTS | DB | |
| | | | | HANDLE COLOR | HANDLE TYPE | CYLINDER COLOR | CYLINDER TYPE | SHEET | |
| | | | | HNC | HNT | CYNC | Full | | |

Attention: Please take these drawings very seriously and make sure they are reviewed by all appropriate parties. By initialing the Drawing Package Approval Page you are stating that you understand and accept the dimensions on this drawing. These dimensions are the dimensions we will build to, no matter what is documented elsewhere. It is up to the customer to let us know what to build and this drawing is the final word in that process. This drawing and the information contained herein is proprietary to Weiland Sliding Doors and Windows, Inc., and shall not be reproduced, copied or disclosed in part or whole, without written permission by Weiland Sliding Doors and Windows, Inc.



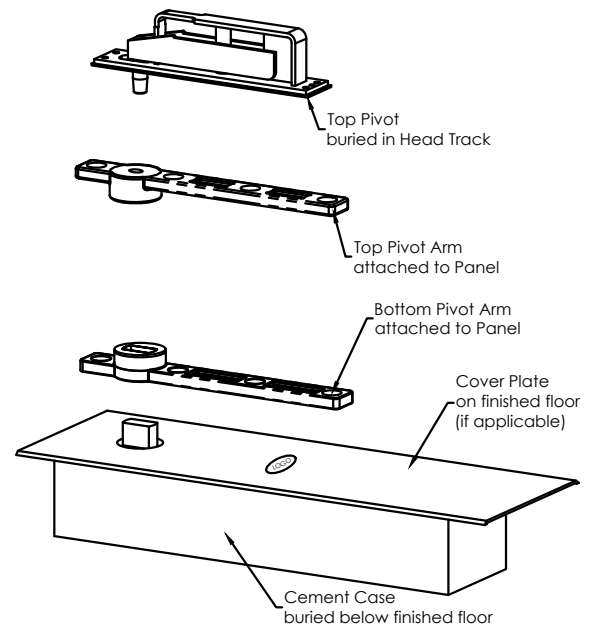
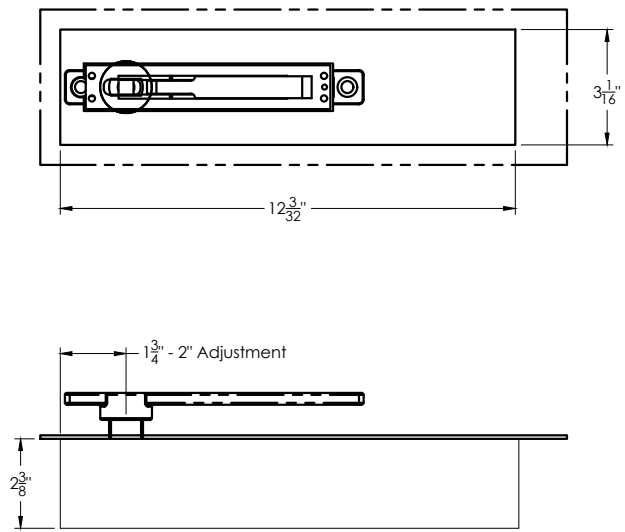
| REV | REVISION NOTES | BY | DATE |
|-----|-----------------|-----|----------|
| A | Initial Release | --- | xx/xx/xx |

| | | | | |
|--|--------------------|------------------------|-----------------------|----------------|
| JOB NAME JN | | | | REV A |
| SYSTEM TYPE - CONFIGURATION AWPD - Single Left Pivot Inswing - Detail - High Performance Threshold w/Drainage | | | | |
| UNIT Unit 1 | QTY 1 | SIZE A | SCALE NTS | DRAWN BY DB |
| HANDLE COLOR HNC | HANDLE TYPE HNT | CYLINDER COLOR CYNC | CYLINDER TYPE Full | SHEET |




andersenwindows.com
Ph 760-722-8828

Attention: Please take these drawings very seriously and make sure they are reviewed by all appropriate parties. By initialing the Drawing Package Approval Page you are stating that you understand and accept the dimensions on this drawing. These dimensions are the dimensions we will build to, no matter what is documented elsewhere. It is up to the customer to let us know what to build and this drawing is the final word in that process. This drawing and the information contained herein is proprietary to Weiland Sliding Doors and Windows, Inc., and shall not be reproduced, copied or disclosed in part or whole, without written permission by Weiland Sliding Doors and Windows, Inc.



| Type | Weight Capacity | A | B | C | D |
|---------|-----------------|--------|-------|----------|---------|
| CRL 990 | 661-1102lbs | 2-3/8" | 1-7/8 | 12-3/32" | 3-1/16" |

| REV | REVISION NOTES | BY | DATE | JOB NAME | | | | REV | |
|-----|-----------------|-----|----------|---------------------------------|-------------|----------------|---------------|---|----------|
| A | Initial Release | --- | xx/xx/xx | JN | | | | A | |
| | | | | SYSTEM TYPE - CONFIGURATION | | | |  andersenwindows.com Ph 760-722-8828 | |
| | | | | Generic Detail - Pivot Hardware | | | | | |
| | | | | UNIT | QTY | SIZE | SCALE | | DRAWN BY |
| | | | | Unit 1 | 1 | A | NTS | | DB |
| | | | | HANDLE COLOR | HANDLE TYPE | CYLINDER COLOR | CYLINDER TYPE | SHEET | |
| | | | | HNC | HNT | CYNC | Full | | |

Attention: Please take these drawings very seriously and make sure they are reviewed by all appropriate parties. By initialing the Drawing Package Approval Page you are stating that you understand and accept the dimensions on this drawing. These dimensions are the dimensions we will build to, no matter what is documented elsewhere. It is up to the customer to let us know what to build and this drawing is the final word in that process. This drawing and the information contained herein is proprietary to Weiland Sliding Doors and Windows, Inc., and shall not be reproduced, copied or disclosed in part or whole, without written permission by Weiland Sliding Doors and Windows, Inc.