
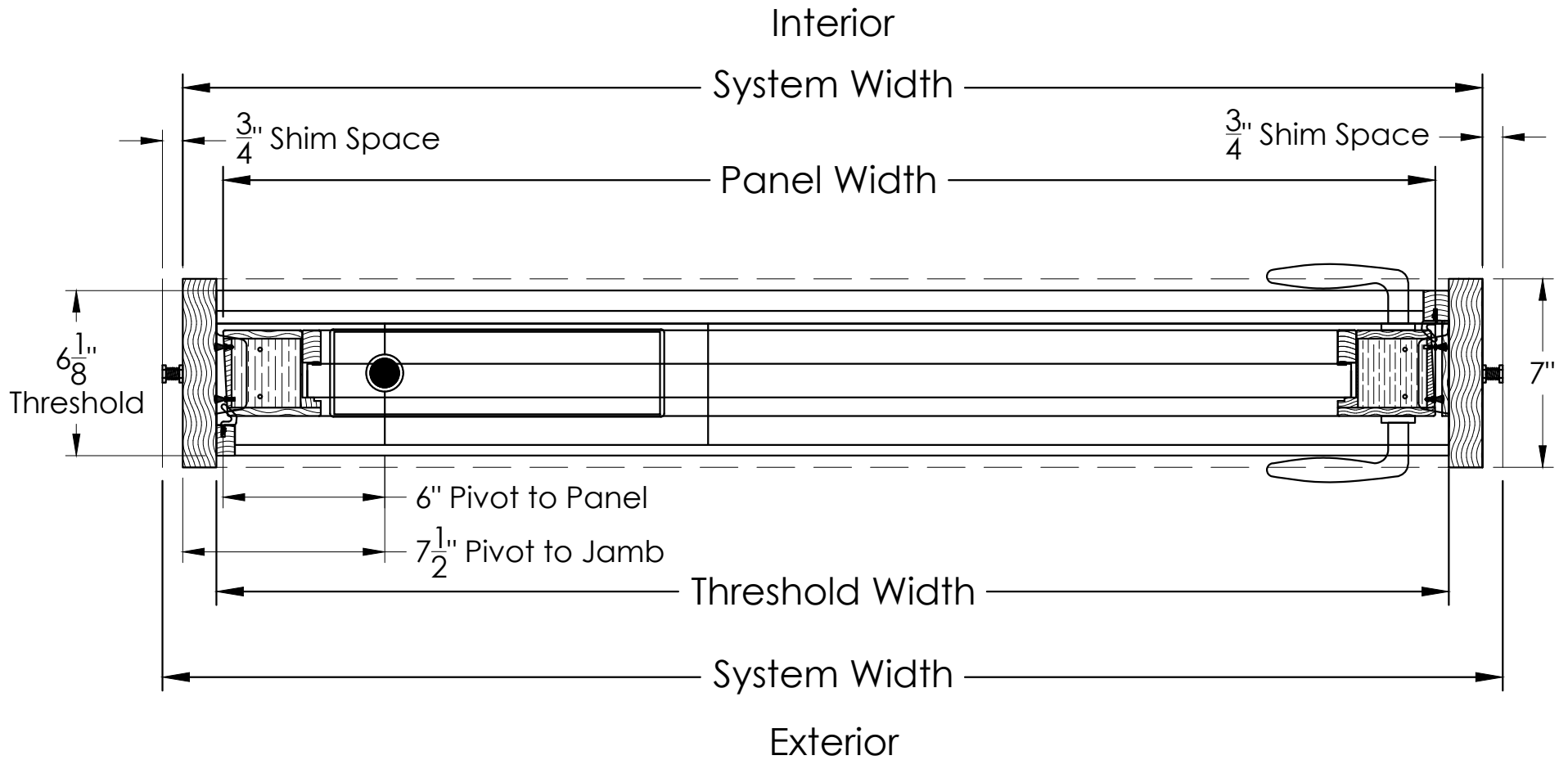



REV	REVISION NOTES	BY	DATE	JOB NAME				REV	 andersenwindows.com Ph 760-722-8828
A	Initial Release	---	xx/xx/xx	JN				A	
				SYSTEM TYPE - CONFIGURATION					
				WPD.SO - Single Left Pivot Outswing - Elevation View					
				UNIT	QTY	SIZE	SCALE	DRAWN BY	
				UN#	1	A	NTS	DB	
				HANDLE COLOR	HANDLE TYPE	CYLINDER COLOR	CYLINDER TYPE	SHEET	
				N/A	N/A	N/A	N/A		

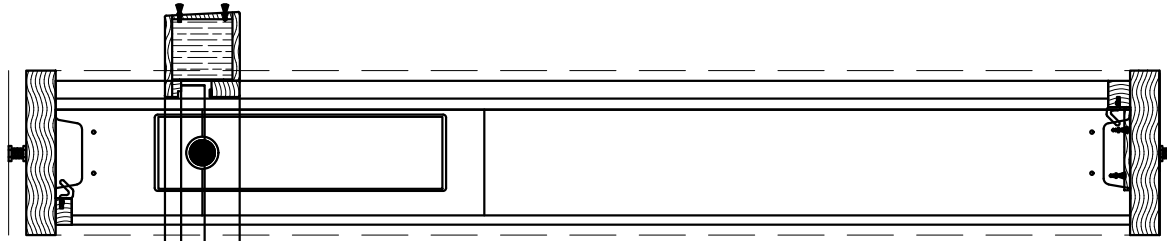
Attention: Please take these drawings very seriously and make sure they are reviewed by all appropriate parties. By initialing the Drawing Package Approval Page you are stating that you understand and accept the dimensions on this drawing. These dimensions are the dimensions we will build to, no matter what is documented elsewhere. It is up to the customer to let us know what to build and this drawing is the final word in that process. This drawing and the information contained herein is proprietary to Weiland Sliding Doors and Windows, Inc., and shall not be reproduced, copied or disclosed in part or whole, without written permission by Weiland Sliding Doors and Windows, Inc.



REV	REVISION NOTES	BY	DATE	JOB NAME				REV	 andersenwindows.com Ph 760-722-8828
A	Initial Release	---	xx/xx/xx	JN				A	
				SYSTEM TYPE - CONFIGURATION					
				WPD.SO - Single Left Pivot Outswing - Plan View					
				UNIT	QTY	SIZE	SCALE	DRAWN BY	
				UN#	1	A	NTS	DB	
				HANDLE COLOR	HANDLE TYPE	CYLINDER COLOR	CYLINDER TYPE	SHEET	
				N/A	N/A	N/A	N/A		

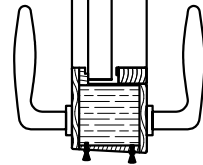
Attention: Please take these drawings very seriously and make sure they are reviewed by all appropriate parties. By initialing the Drawing Package Approval Page you are stating that you understand and accept the dimensions on this drawing. These dimensions are the dimensions we will build to, no matter what is documented elsewhere. It is up to the customer to let us know what to build and this drawing is the final word in that process. This drawing and the information contained herein is proprietary to Weiland Sliding Doors and Windows, Inc., and shall not be reproduced, copied or disclosed in part or whole, without written permission by Weiland Sliding Doors and Windows, Inc.


Interior



90° Hold Open

Exterior

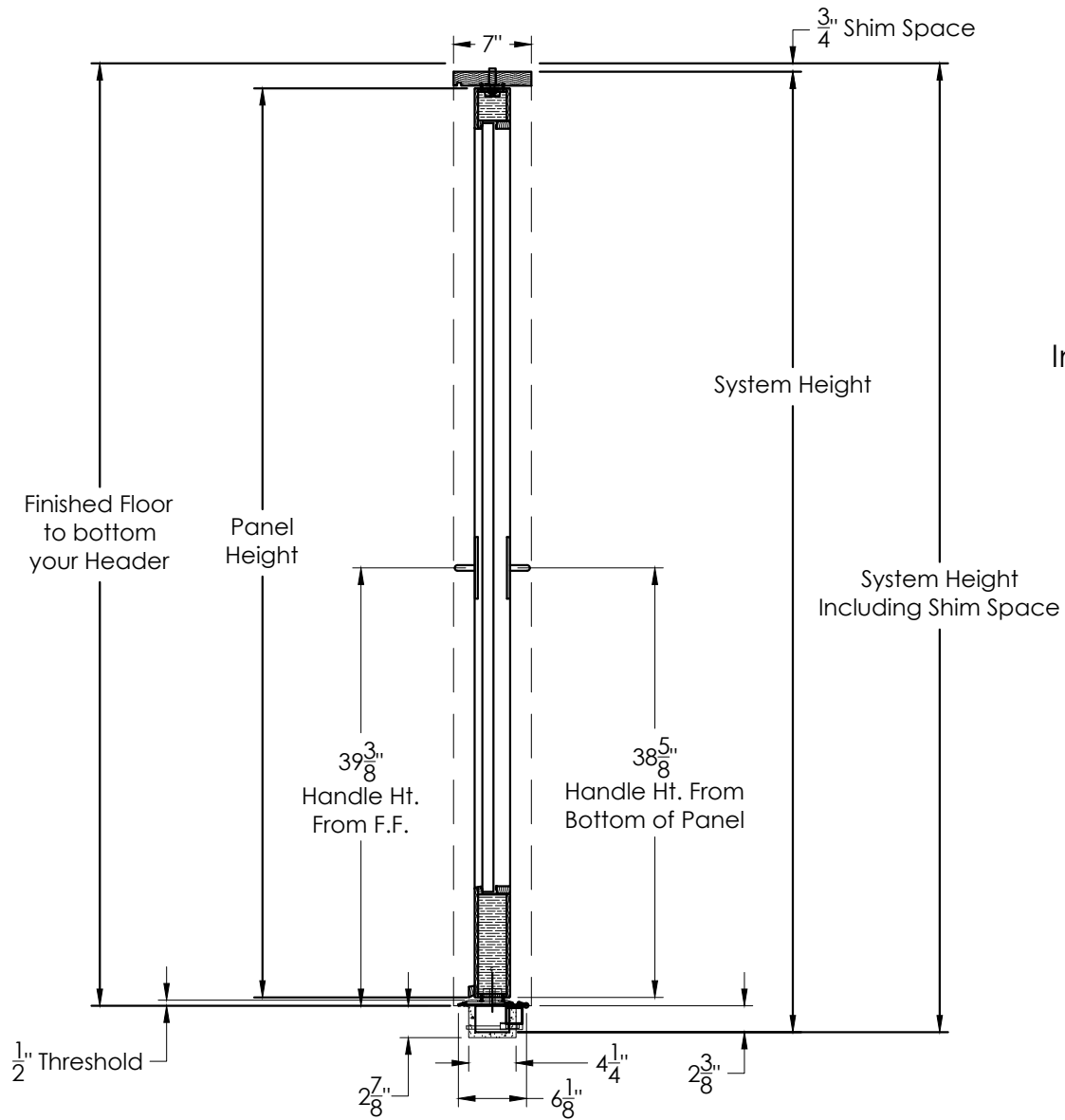



REV	REVISION NOTES	BY	DATE	JOB NAME				REV	 andersenwindows.com Ph 760-722-8828
A	Initial Release	---	xx/xx/xx	JN				A	
				SYSTEM TYPE - CONFIGURATION					
				WPD.SO - Single Left Pivot Outswing - Plan View, Open Condition					
				UNIT	QTY	SIZE	SCALE	DRAWN BY	
				UN#	1	A	NTS	DB	
				HANDLE COLOR	HANDLE TYPE	CYLINDER COLOR	CYLINDER TYPE	SHEET	
				N/A	N/A	N/A	N/A		

Attention: Please take these drawings very seriously and make sure they are reviewed by all appropriate parties. By initialing the Drawing Package Approval Page you are stating that you understand and accept the dimensions on this drawing. These dimensions are the dimensions we will build to, no matter what is documented elsewhere. It is up to the customer to let us know what to build and this drawing is the final word in that process. This drawing and the information contained herein is proprietary to Weiland Sliding Doors and Windows, Inc., and shall not be reproduced, copied or disclosed in part or whole, without written permission by Weiland Sliding Doors and Windows, Inc.

Exterior

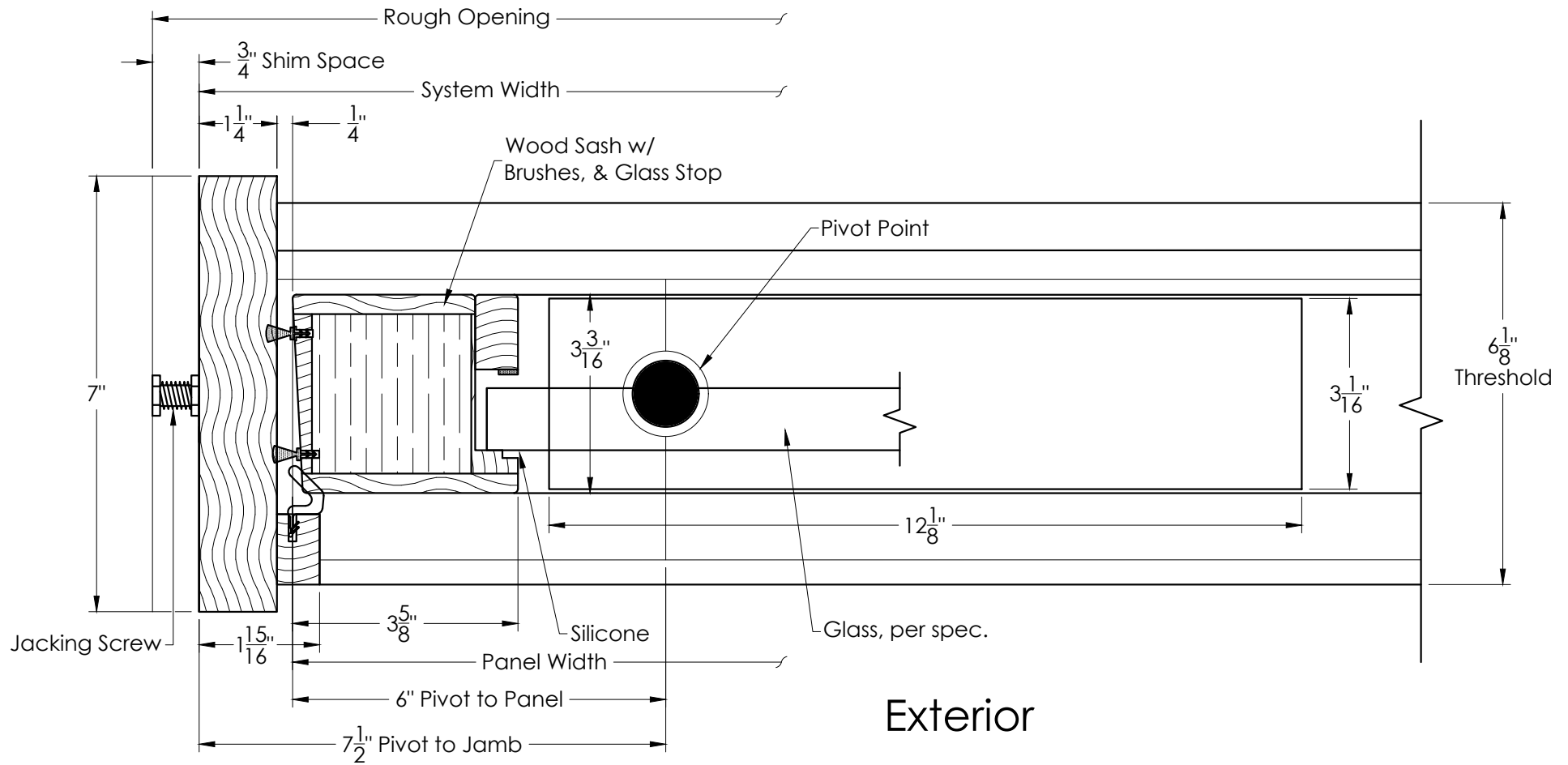
Interior




REV	REVISION NOTES	BY	DATE	JOB NAME				REV	 andersenwindows.com Ph 760-722-8828
A	Initial Release	---	xx/xx/xx	JN				A	
				SYSTEM TYPE - CONFIGURATION					
				WPD.SO - Single Left Pivot Outswing - Vertical Section					
				UNIT	QTY	SIZE	SCALE	DRAWN BY	
				UN#	1	A	NTS	DB	
				HANDLE COLOR	HANDLE TYPE	CYLINDER COLOR	CYLINDER TYPE	SHEET	
				N/A	N/A	N/A	N/A		

Attention: Please take these drawings very seriously and make sure they are reviewed by all appropriate parties. By initialing the Drawing Package Approval Page you are stating that you understand and accept the dimensions on this drawing. These dimensions are the dimensions we will build to, no matter what is documented elsewhere. It is up to the customer to let us know what to build and this drawing is the final word in that process. This drawing and the information contained herein is proprietary to Weiland Sliding Doors and Windows, Inc., and shall not be reproduced, copied or disclosed in part or whole, without written permission by Weiland Sliding Doors and Windows, Inc.

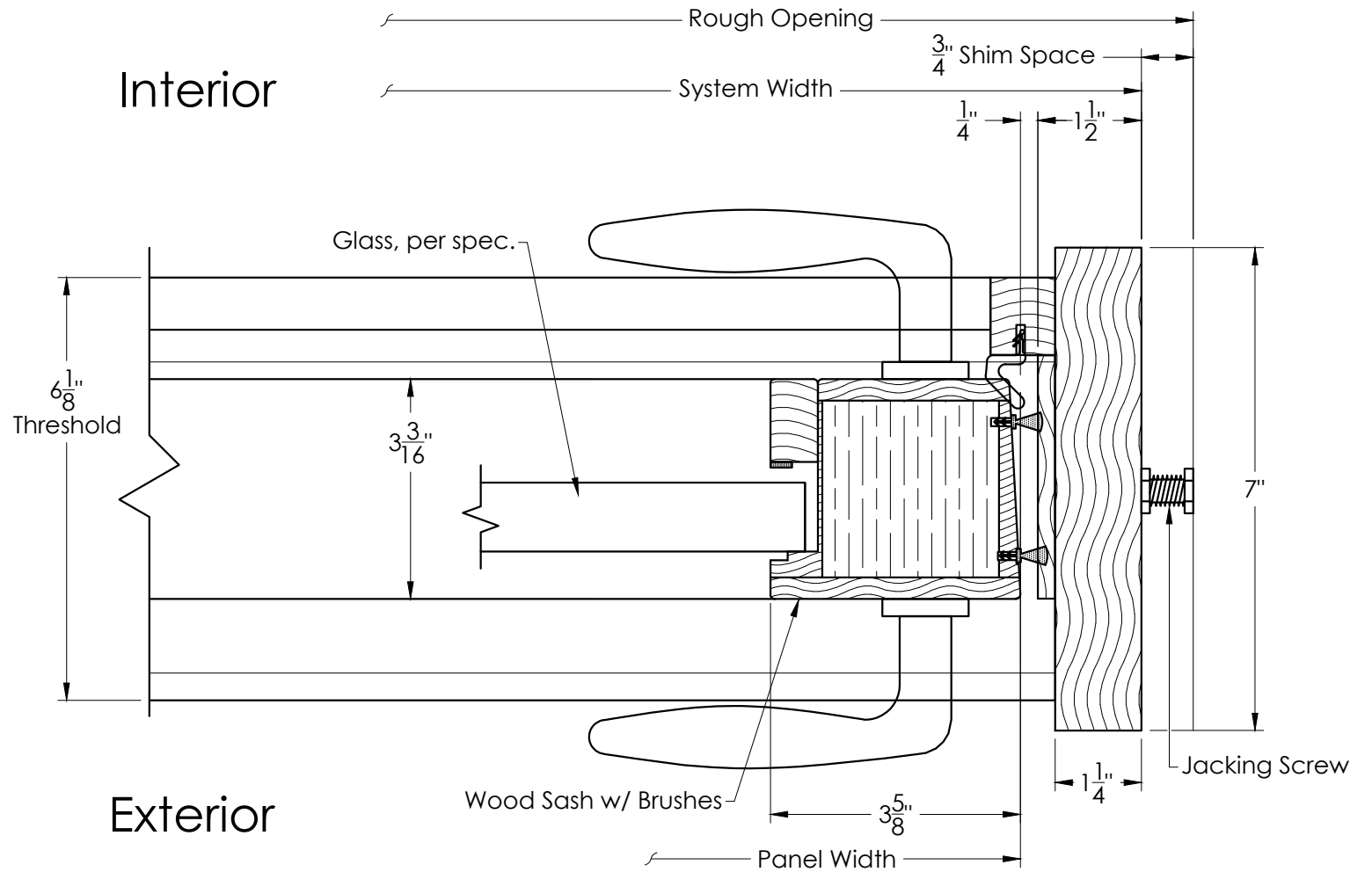
Interior




Exterior

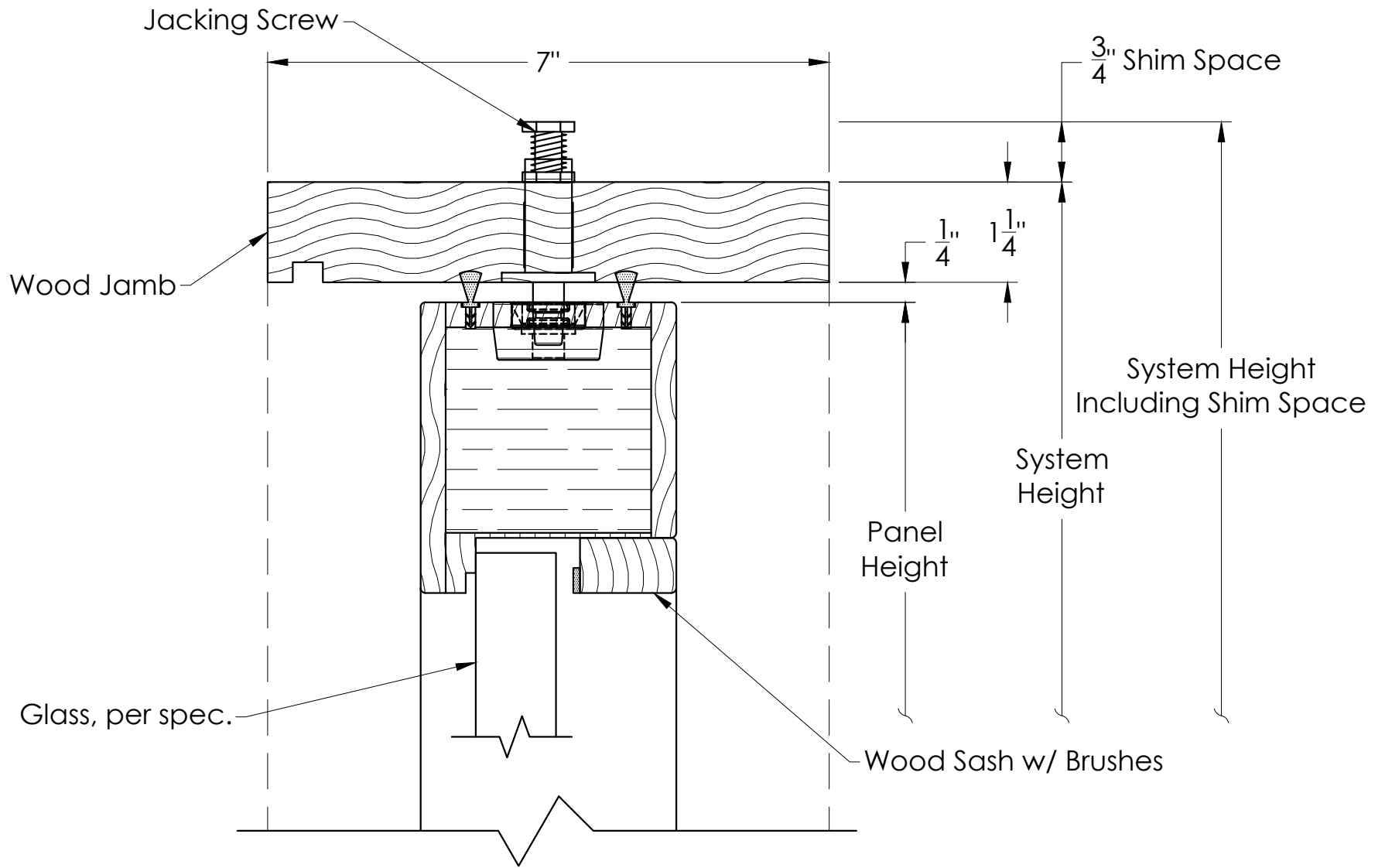
REV	REVISION NOTES	BY	DATE	JOB NAME				REV	 andersenwindows.com Ph 760-722-8828
A	Initial Release	---	xx/xx/xx	JN				A	
				SYSTEM TYPE - CONFIGURATION					
				WPD.SO - Single Left Pivot Outswing - Detail - Jamb, Pivot Side					
				UNIT	QTY	SIZE	SCALE	DRAWN BY	
				UN#	1	A	NTS	DB	
				HANDLE COLOR	HANDLE TYPE	CYLINDER COLOR	CYLINDER TYPE	SHEET	
				N/A	N/A	N/A	N/A		


Attention: Please take these drawings very seriously and make sure they are reviewed by all appropriate parties. By initialing the Drawing Package Approval Page you are stating that you understand and accept the dimensions on this drawing. These dimensions are the dimensions we will build to, no matter what is documented elsewhere. It is up to the customer to let us know what to build and this drawing is the final word in that process. This drawing and the information contained herein is proprietary to Weiland Sliding Doors and Windows, Inc., and shall not be reproduced, copied or disclosed in part or whole, without written permission by Weiland Sliding Doors and Windows, Inc.



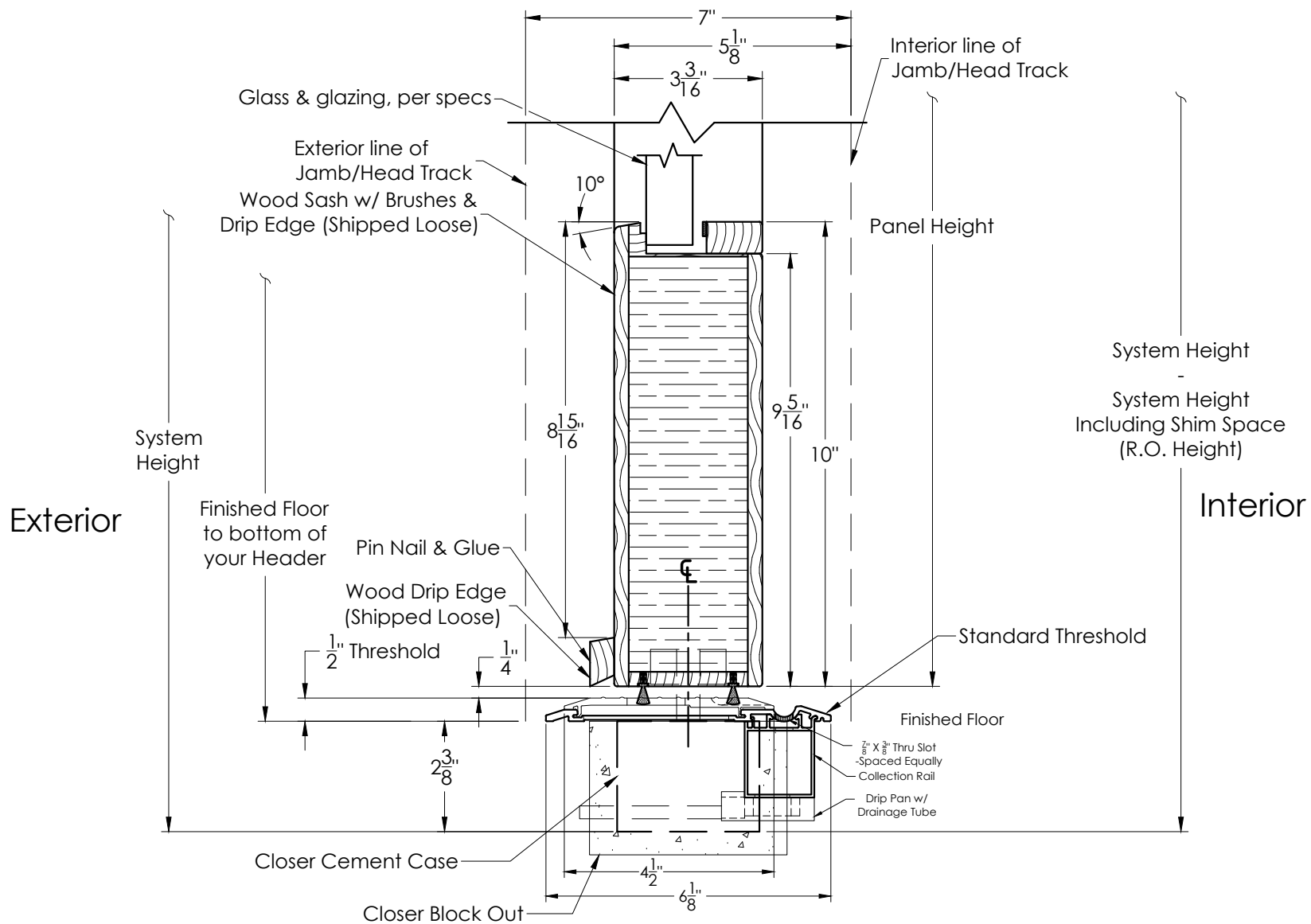
REV	REVISION NOTES	BY	DATE	JOB NAME				REV	 andersenwindows.com Ph 760-722-8828
A	Initial Release	---	xx/xx/xx	JN				A	
				SYSTEM TYPE - CONFIGURATION					
				WPD.SO - Single Left Pivot Outswing - Detail - Jamb, Latch Side					
				UNIT	QTY	SIZE	SCALE	DRAWN BY	
				UN#	1	A	NTS	DB	
				HANDLE COLOR	HANDLE TYPE	CYLINDER COLOR	CYLINDER TYPE	SHEET	
				N/A	N/A	N/A	N/A		

Attention: Please take these drawings very seriously and make sure they are reviewed by all appropriate parties. By initialing the Drawing Package Approval Page you are stating that you understand and accept the dimensions on this drawing. These dimensions are the dimensions we will build to, no matter what is documented elsewhere. It is up to the customer to let us know what to build and this drawing is the final word in that process. This drawing and the information contained herein is proprietary to Weiland Sliding Doors and Windows, Inc., and shall not be reproduced, copied or disclosed in part or whole, without written permission by Weiland Sliding Doors and Windows, Inc.



REV	REVISION NOTES	BY	DATE	JOB NAME				REV	 andersenwindows.com Ph 760-722-8828
A	Initial Release	---	xx/xx/xx	JN				A	
				SYSTEM TYPE - CONFIGURATION					
				WPD.SO - Single Left Pivot Outswing - Detail - Top Jamb					
				UNIT	QTY	SIZE	SCALE	DRAWN BY	
				UN#	1	A	NTS	DB	
				HANDLE COLOR	HANDLE TYPE	CYLINDER COLOR	CYLINDER TYPE	SHEET	
				N/A	N/A	N/A	N/A		

Attention: Please take these drawings very seriously and make sure they are reviewed by all appropriate parties. By initialing the Drawing Package Approval Page you are stating that you understand and accept the dimensions on this drawing. These dimensions are the dimensions we will build to, no matter what is documented elsewhere. It is up to the customer to let us know what to build and this drawing is the final word in that process. This drawing and the information contained herein is proprietary to Weiland Sliding Doors and Windows, Inc., and shall not be reproduced, copied or disclosed in part or whole, without written permission by Weiland Sliding Doors and Windows, Inc.

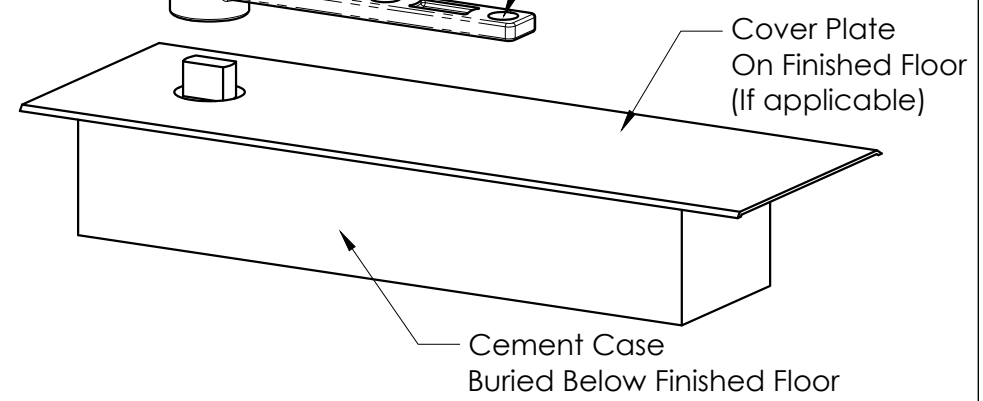
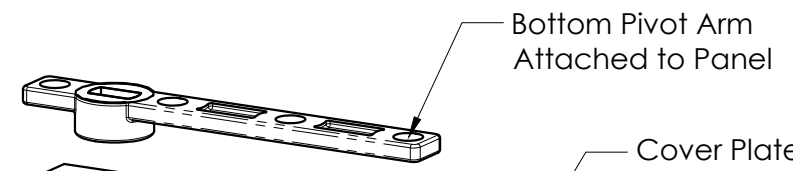
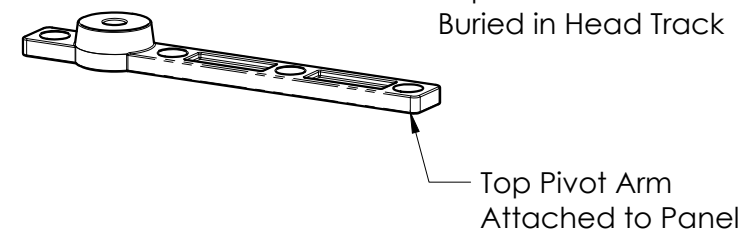
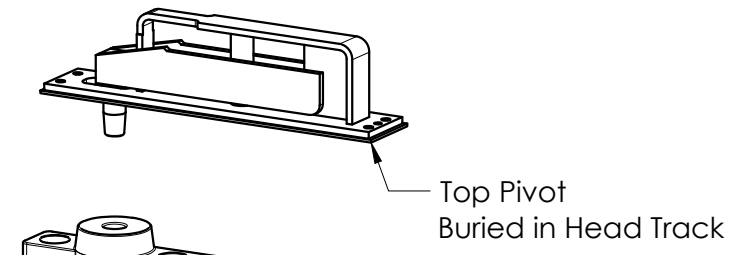
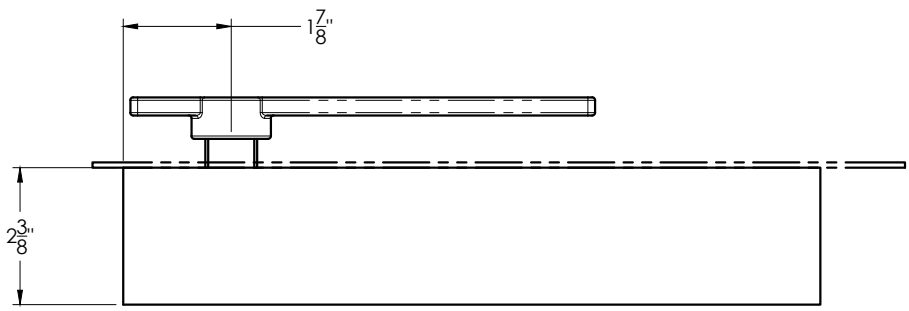
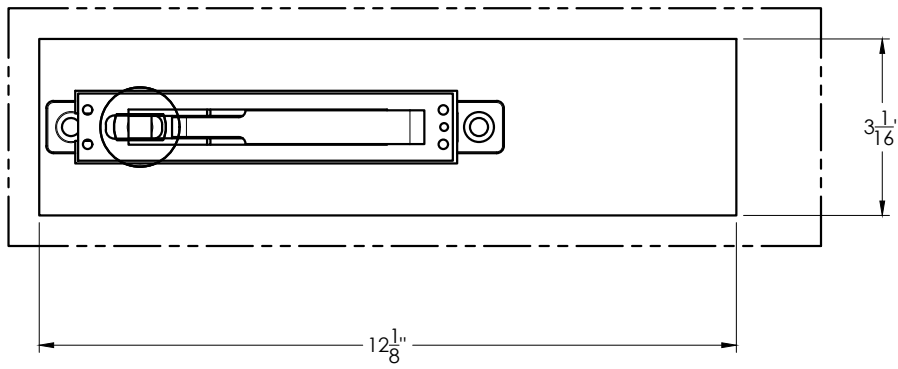


REV	REVISION NOTES	BY	DATE
A	Initial Release	---	xx/xx/xx

JOB NAME			
JN			
SYSTEM TYPE - CONFIGURATION			
WPD.SO - Single Left Pivot Outswing - Detail - Standard High Performance Threshold w/Drainage			
UNIT	QTY	SIZE	SCALE
UN#	1	A	NTS
DRAWN BY		DB	
HANDLE COLOR		HANDLE TYPE	
N/A		N/A	
CYLINDER COLOR		CYLINDER TYPE	
N/A		N/A	

	andersenwindows.com Ph 760-722-8828
	SHEET

Attention: Please take these drawings very seriously and make sure they are reviewed by all appropriate parties. By initialing the Drawing Package Approval Page you are stating that you understand and accept the dimensions on this drawing. These dimensions are the dimensions we will build to, no matter what is documented elsewhere. It is up to the customer to let us know what to build and this drawing is the final word in that process. This drawing and the information contained herein is proprietary to Weiland Sliding Doors and Windows, Inc., and shall not be reproduced, copied or disclosed in part or whole, without written permission by Weiland Sliding Doors and Windows, Inc.



REV	REVISION NOTES	BY	DATE
A	Initial Release	---	xx/xx/xx

JOB NAME				REV			
JN				A			
SYSTEM TYPE - CONFIGURATION							
Generic Detail - Pivot Hardware							
UNIT		QTY	SIZE	SCALE	DRAWN BY		
UN#		1	A	NTS	DB		
HANDLE COLOR			HANDLE TYPE		CYLINDER COLOR	CYLINDER TYPE	
N/A			N/A		N/A	N/A	

andersenwindows.com
Ph 760-722-8828

SHEET

Attention: Please take these drawings very seriously and make sure they are reviewed by all appropriate parties. By initialing the Drawing Package Approval Page you are stating that you understand and accept the dimensions on this drawing. These dimensions are the dimensions we will build to, no matter what is documented elsewhere. It is up to the customer to let us know what to build and this drawing is the final word in that process. This drawing and the information contained herein is proprietary to Weiland Sliding Doors and Windows, Inc., and shall not be reproduced, copied or disclosed in part or whole, without written permission by Weiland Sliding Doors and Windows, Inc.