
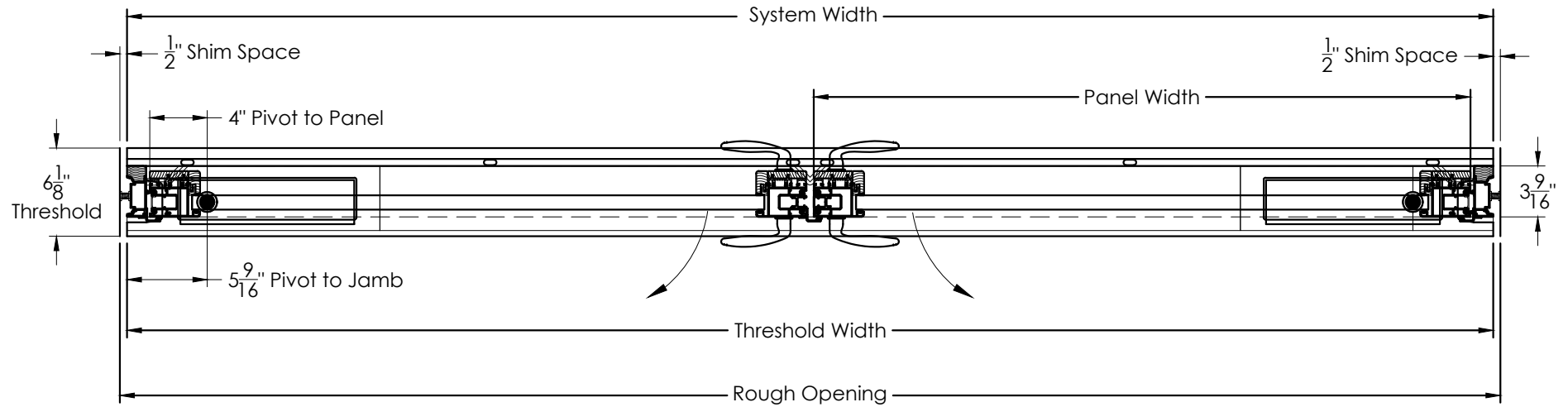



REV	REVISION NOTES	BY	DATE	JOB NAME				REV	 andersenwindows.com Ph 760-722-8828
A	Initial Release	---	XX/XX/XX	JN				A	
				SYSTEM TYPE - CONFIGURATION					
				AWPD - Dual Outswing - Elevation View					
				UNIT	QTY	SIZE	SCALE	DRAWN BY	
				UN#	1	A	NTS	DB	
				HANDLE COLOR	HANDLE TYPE	CYLINDER COLOR	CYLINDER TYPE	SHEET	
				HNC	HNT	CYNC	CYNT		

Attention: Please take these drawings very seriously and make sure they are reviewed by all appropriate parties. By initialing the Drawing Package Approval Page you are stating that you understand and accept the dimensions on this drawing. These dimensions are the dimensions we will build to, no matter what is documented elsewhere. It is up to the customer to let us know what to build and this drawing is the final word in that process. This drawing and the information contained herein is proprietary to Weiland Sliding Doors and Windows, Inc., and shall not be reproduced, copied or disclosed in part or whole, without written permission by Weiland Sliding Doors and Windows, Inc.

Interior

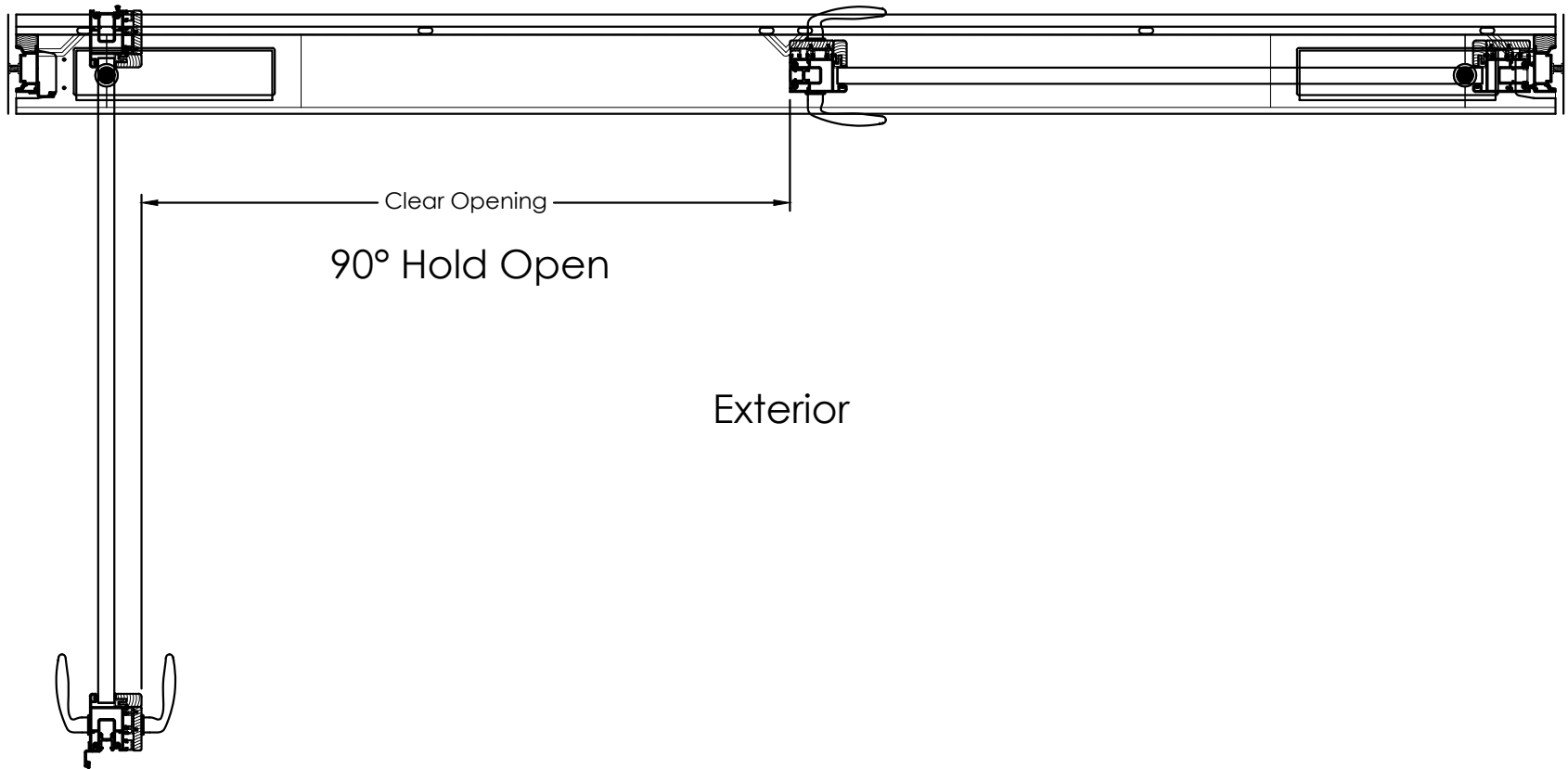


Exterior


REV	REVISION NOTES	BY	DATE	JOB NAME				REV	 andersenwindows.com Ph 760-722-8828
A	Initial Release	---	XX/XX/XX	JN				A	
				SYSTEM TYPE - CONFIGURATION					
				AWPD - Dual Outswing - Plan View					
				UNIT	QTY	SIZE	SCALE	DRAWN BY	
				UN#	1	A	NTS	DB	
				HANDLE COLOR	HANDLE TYPE	CYLINDER COLOR	CYLINDER TYPE	SHEET	
				HNC	HNT	CYNC	CYNT		

Attention: Please take these drawings very seriously and make sure they are reviewed by all appropriate parties. By initialing the Drawing Package Approval Page you are stating that you understand and accept the dimensions on this drawing. These dimensions are the dimensions we will build to, no matter what is documented elsewhere. It is up to the customer to let us know what to build and this drawing is the final word in that process. This drawing and the information contained herein is proprietary to Weiland Sliding Doors and Windows, Inc., and shall not be reproduced, copied or disclosed in part or whole, without written permission by Weiland Sliding Doors and Windows, Inc.

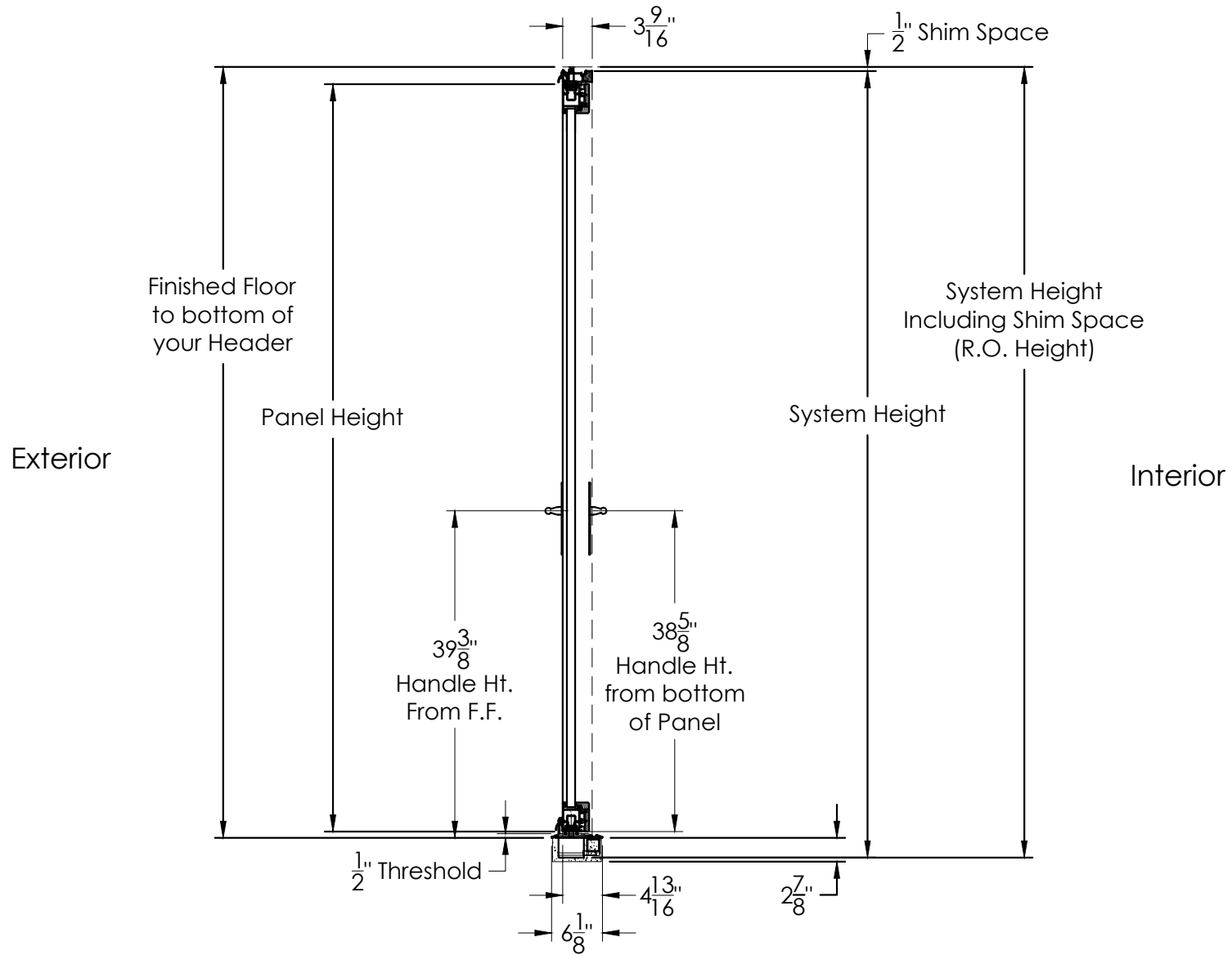
Interior




Exterior

REV	REVISION NOTES	BY	DATE	JOB NAME				REV	 andersenwindows.com Ph 760-722-8828
A	Initial Release	---	XX/XX/XX	JN				A	
				SYSTEM TYPE - CONFIGURATION					
				AWPD - Dual Outswing - Plan View, Primary Open Condition					
				UNIT	QTY	SIZE	SCALE	DRAWN BY	
				UN#	1	A	NTS	DB	
				HANDLE COLOR	HANDLE TYPE	CYLINDER COLOR	CYLINDER TYPE	SHEET	
				HNC	HNT	CYNC	CYNT		

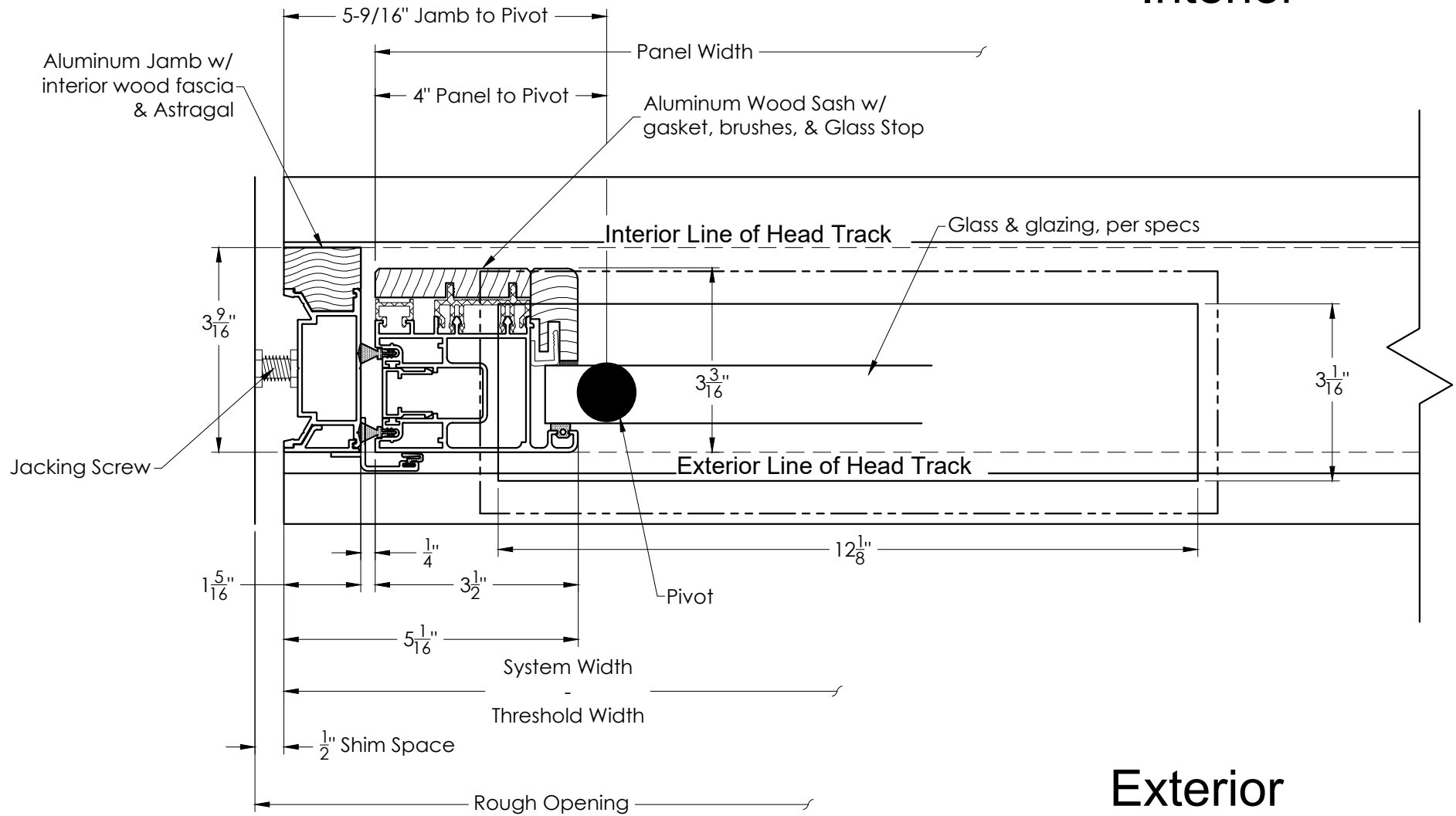
Attention: Please take these drawings very seriously and make sure they are reviewed by all appropriate parties. By initialing the Drawing Package Approval Page you are stating that you understand and accept the dimensions on this drawing. These dimensions are the dimensions we will build to, no matter what is documented elsewhere. It is up to the customer to let us know what to build and this drawing is the final word in that process. This drawing and the information contained herein is proprietary to Weiland Sliding Doors and Windows, Inc., and shall not be reproduced, copied or disclosed in part or whole, without written permission by Weiland Sliding Doors and Windows, Inc.




REV	REVISION NOTES	BY	DATE	JOB NAME				REV	 andersenwindows.com Ph 760-722-8828
A	Initial Release	---	XX/XX/XX	JN				A	
				SYSTEM TYPE - CONFIGURATION					
				AWPD - Dual Outswing - Vertical Section					
				UNIT	QTY	SIZE	SCALE	DRAWN BY	
				UN#	1	A	NTS	DB	
				HANDLE COLOR	HANDLE TYPE	CYLINDER COLOR	CYLINDER TYPE	SHEET	
				HNC	HNT	CYNC	CYNT		

Attention: Please take these drawings very seriously and make sure they are reviewed by all appropriate parties. By initialing the Drawing Package Approval Page you are stating that you understand and accept the dimensions on this drawing. These dimensions are the dimensions we will build to, no matter what is documented elsewhere. It is up to the customer to let us know what to build and this drawing is the final word in that process. This drawing and the information contained herein is proprietary to Weiland Sliding Doors and Windows, Inc., and shall not be reproduced, copied or disclosed in part or whole, without written permission by Weiland Sliding Doors and Windows, Inc.

Interior

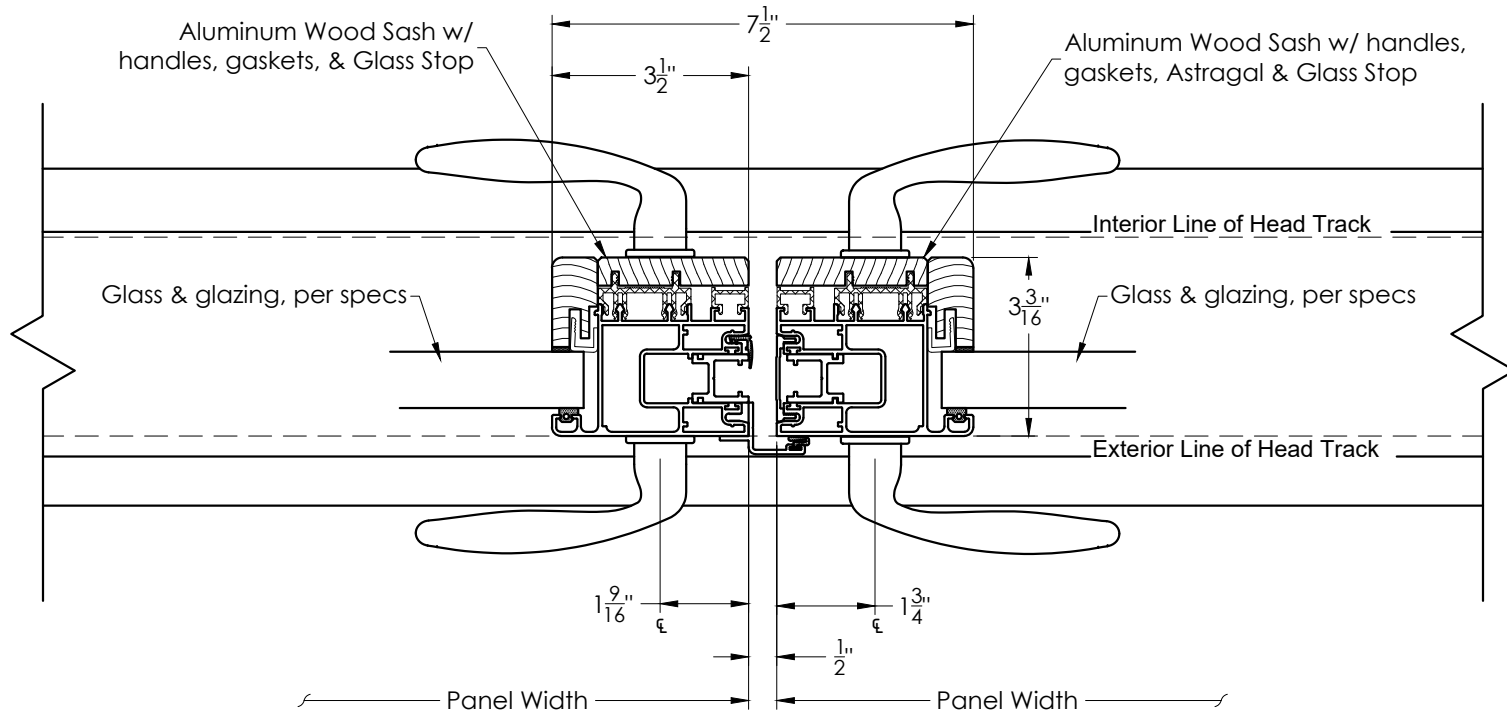


Exterior

REV	REVISION NOTES	BY	DATE	JOB NAME				REV	
A	Initial Release	---	XX/XX/XX	JN				A	
				SYSTEM TYPE - CONFIGURATION				andersenwindows.com Ph 760-722-8828	
				AWPD - Dual Outswing - Detail - Typical Jamb, Pivot Side					
				UNIT	QTY	SIZE	SCALE	DRAWN BY	
				UN#	1	A	NTS	DB	
				HANDLE COLOR	HANDLE TYPE	CYLINDER COLOR	CYLINDER TYPE	SHEET	
				HNC	HNT	CYNC	CYNT		

Attention: Please take these drawings very seriously and make sure they are reviewed by all appropriate parties. By initialing the Drawing Package Approval Page you are stating that you understand and accept the dimensions on this drawing. These dimensions are the dimensions we will build to, no matter what is documented elsewhere. It is up to the customer to let us know what to build and this drawing is the final word in that process. This drawing and the information contained herein is proprietary to Weiland Sliding Doors and Windows, Inc., and shall not be reproduced, copied or disclosed in part or whole, without written permission by Weiland Sliding Doors and Windows, Inc.

Interior



Exterior

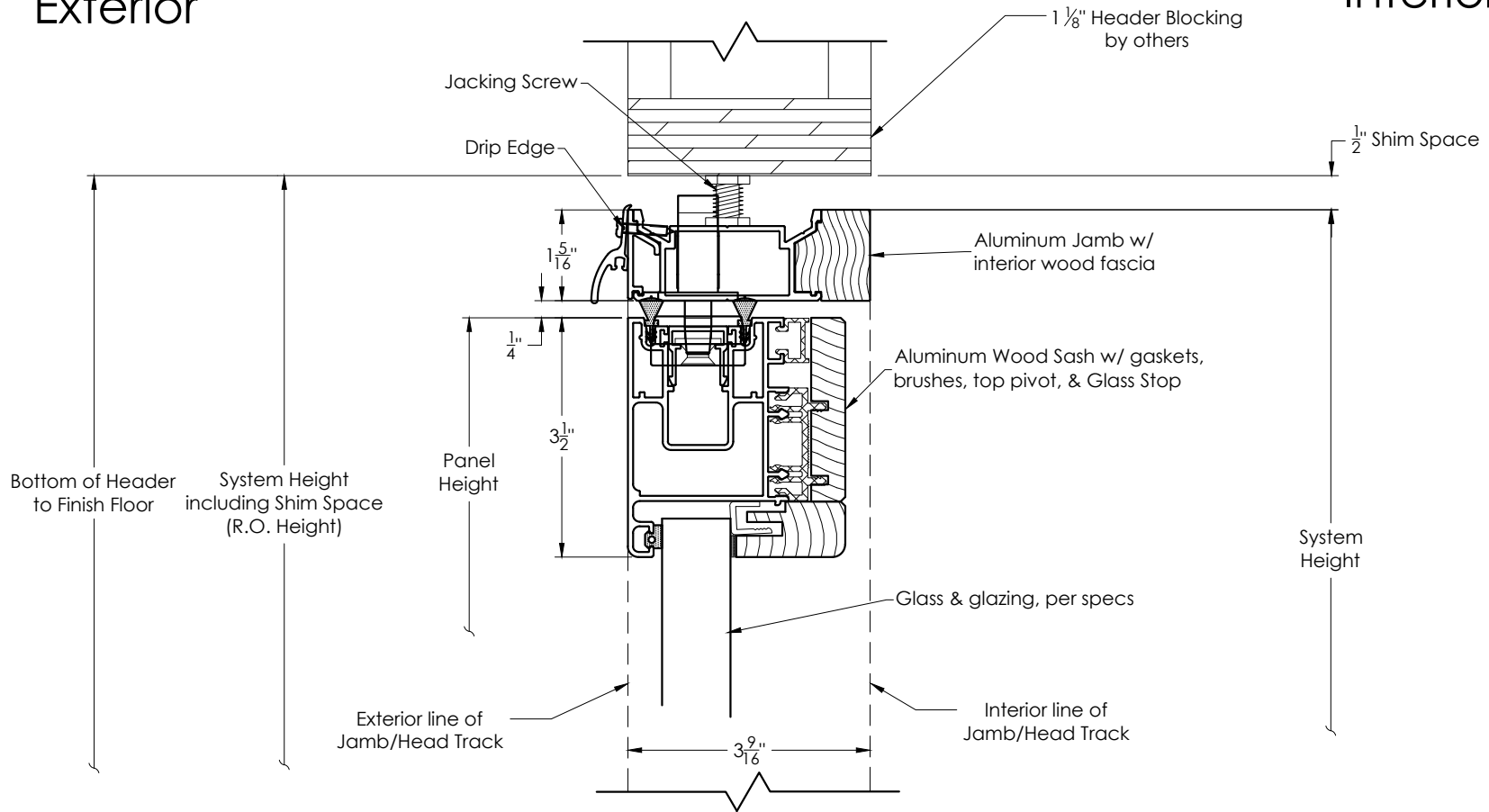



REV	REVISION NOTES	BY	DATE	JOB NAME	REV					
A	Initial Release	---	XX/XX/XX	JN	A					
				SYSTEM TYPE - CONFIGURATION		andersenwindows.com Ph 760-722-8828				
				AWPD - Dual Outswing - Detail - Meeting condition						
				UNIT	QTY	SIZE	SCALE	DRAWN BY	SHEET	
				UN#	1	A	NTS	DB		
				HANDLE COLOR	HANDLE TYPE	CYLINDER COLOR	CYLINDER TYPE			
				HNC	HNT	CYNC	CYNT			

Attention: Please take these drawings very seriously and make sure they are reviewed by all appropriate parties. By initialing the Drawing Package Approval Page you are stating that you understand and accept the dimensions on this drawing. These dimensions are the dimensions we will build to, no matter what is documented elsewhere. It is up to the customer to let us know what to build and this drawing is the final word in that process. This drawing and the information contained herein is proprietary to Weiland Sliding Doors and Windows, Inc., and shall not be reproduced, copied or disclosed in part or whole, without written permission by Weiland Sliding Doors and Windows, Inc.

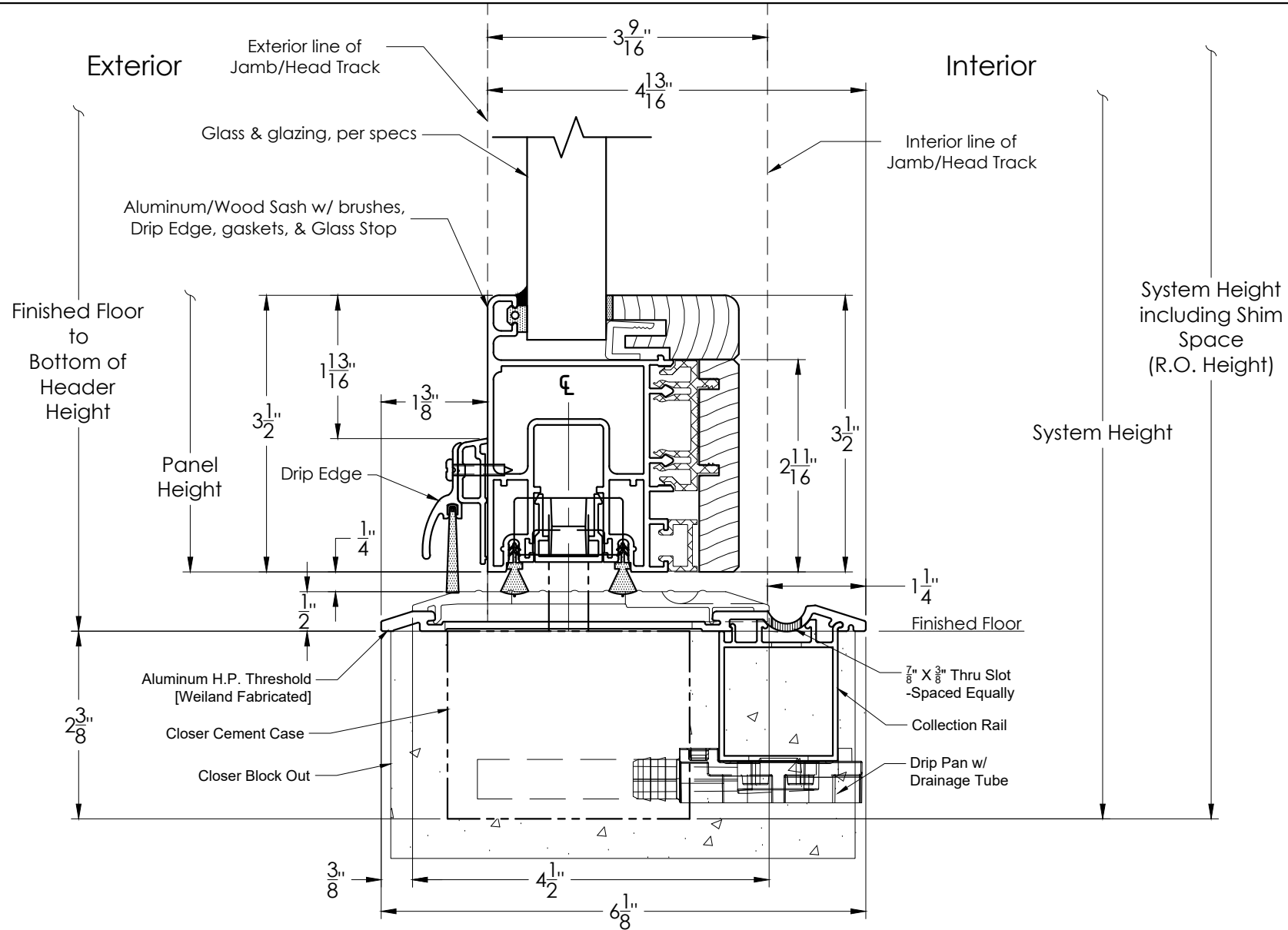
Exterior


Interior



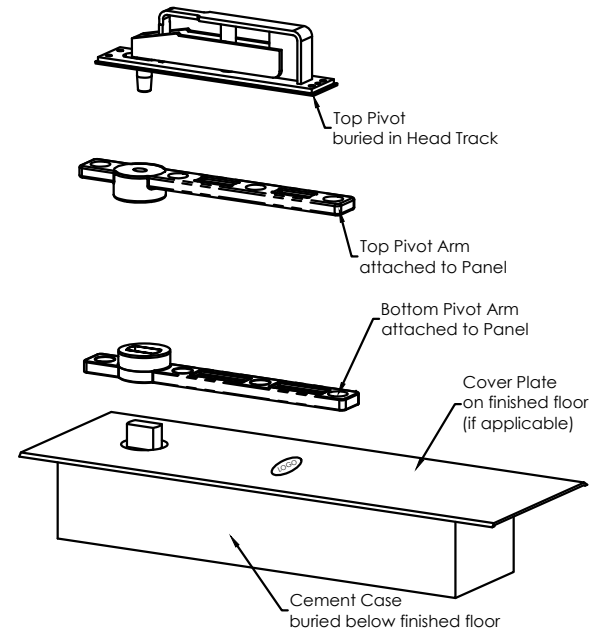
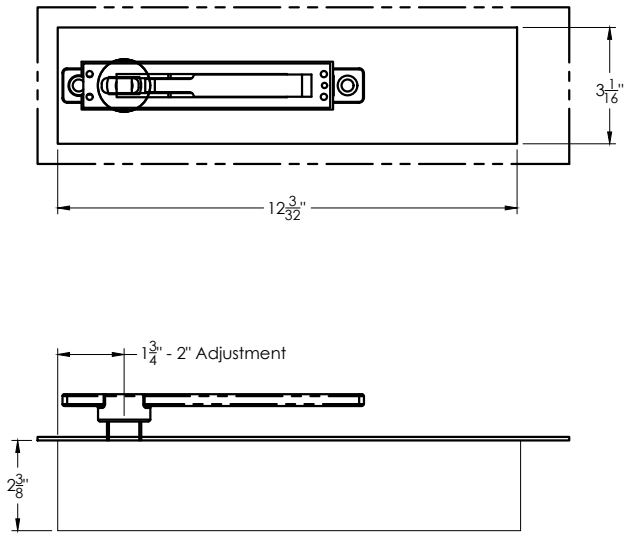
REV	REVISION NOTES	BY	DATE	JOB NAME				REV	 andersenwindows.com Ph 760-722-8828
A	Initial Release	---	XX/XX/XX	JN				A	
				SYSTEM TYPE - CONFIGURATION					
				AWPD - Dual Outswing - Detail - Top Jamb					
				UNIT	QTY	SIZE	SCALE	DRAWN BY	
				UN#	1	A	NTS	DB	
				HANDLE COLOR	HANDLE TYPE	CYLINDER COLOR	CYLINDER TYPE	SHEET	
				HNC	HNT	CYNC	CYNT		

Attention: Please take these drawings very seriously and make sure they are reviewed by all appropriate parties. By initialing the Drawing Package Approval Page you are stating that you understand and accept the dimensions on this drawing. These dimensions are the dimensions we will build to, no matter what is documented elsewhere. It is up to the customer to let us know what to build and this drawing is the final word in that process. This drawing and the information contained herein is proprietary to Weiland Sliding Doors and Windows, Inc., and shall not be reproduced, copied or disclosed in part or whole, without written permission by Weiland Sliding Doors and Windows, Inc.




REV	REVISION NOTES	BY	DATE	JOB NAME				REV	 andersenwindows.com Ph 760-722-8828
A	Initial Release	---	XX/XX/XX	JN				A	
				SYSTEM TYPE - CONFIGURATION					
				AWPD - Dual Outswing - Detail - High Performance Threshold w/Drainage					
		UNIT	QTY	SIZE	SCALE	DRAWN BY			
		UN#	1	A	NTS	DB			
				HANDLE COLOR	HANDLE TYPE	CYLINDER COLOR	CYLINDER TYPE	SHEET	
				HNC	HNT	CYNC	CYNT		

Attention: Please take these drawings very seriously and make sure they are reviewed by all appropriate parties. By initialing the Drawing Package Approval Page you are stating that you understand and accept the dimensions on this drawing. These dimensions are the dimensions we will build to, no matter what is documented elsewhere. It is up to the customer to let us know what to build and this drawing is the final word in that process. This drawing and the information contained herein is proprietary to Weiland Sliding Doors and Windows, Inc., and shall not be reproduced, copied or disclosed in part or whole, without written permission by Weiland Sliding Doors and Windows, Inc.



Type	Weight Capacity	A	B	C	D
CRL 990	661-1102lbs	2-3/8"	1-7/8	12-3/32"	3-1/16"

REV	REVISION NOTES	BY	DATE	JOB NAME				REV	 andersenwindows.com Ph 760-722-8828
A	Initial Release	---	XX/XX/XX	JN				A	
				SYSTEM TYPE - CONFIGURATION					
				Generic Detail - Pivot Hardware					
				UNIT	QTY	SIZE	SCALE	DRAWN BY	
				UN#	1	A	NTS	DB	
				HANDLE COLOR	HANDLE TYPE	CYLINDER COLOR	CYLINDER TYPE	SHEET	
				HNC	HNT	CYNC	CYNT		

Attention: Please take these drawings very seriously and make sure they are reviewed by all appropriate parties. By initialing the Drawing Package Approval Page you are stating that you understand and accept the dimensions on this drawing. These dimensions are the dimensions we will build to, no matter what is documented elsewhere. It is up to the customer to let us know what to build and this drawing is the final word in that process. This drawing and the information contained herein is proprietary to Weiland Sliding Doors and Windows, Inc., and shall not be reproduced, copied or disclosed in part or whole, without written permission by Weiland Sliding Doors and Windows, Inc.