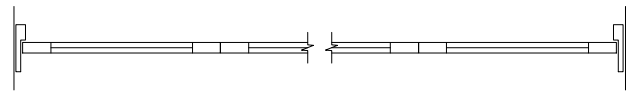
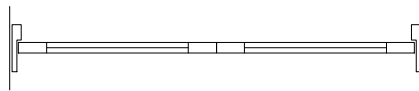
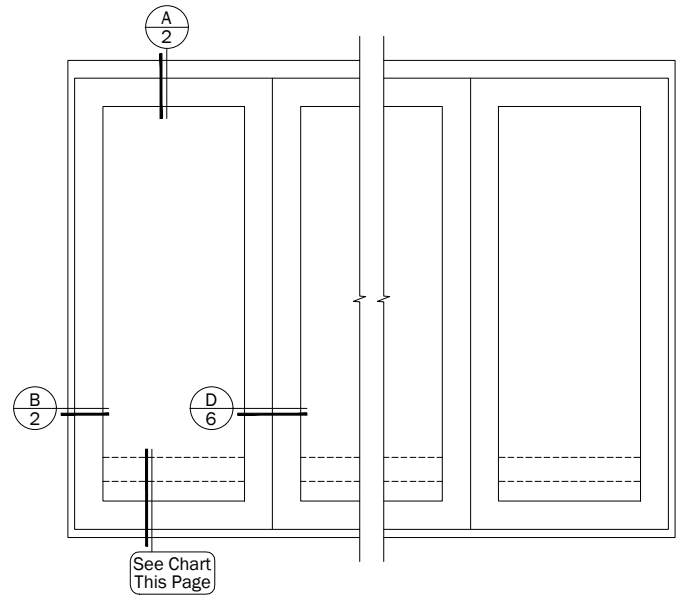
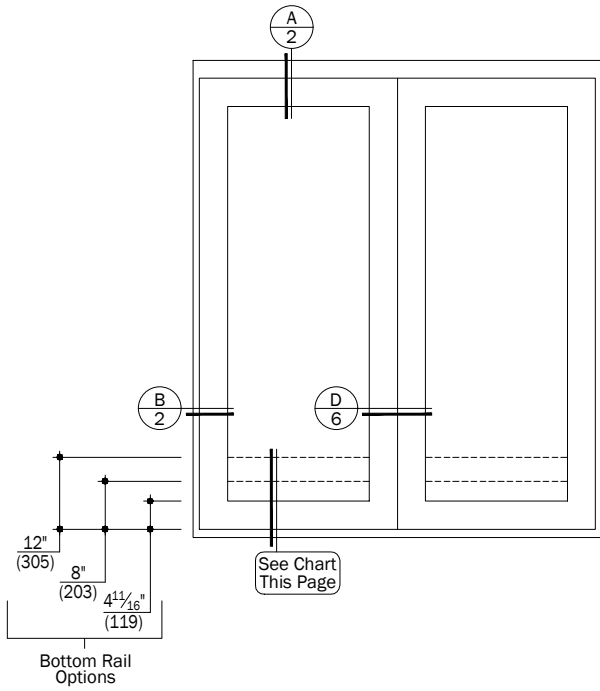


# Big Doors

Folding Outswing Doors  
Traditional Panels



Sill Detail Chart			
Bottom Rail Options	On-Floor Drainage Sill	On-Floor Low Threshold	Flush Sill
4 <sup>11</sup> / <sub>16</sub> " (119)	See Detail A/3	See Detail A/4	See Detail A/5
8" (203)	See Detail B/3	See Detail B/4	See Detail B/5
12" (305)	See Detail C/3	See Detail C/4	See Detail C/5

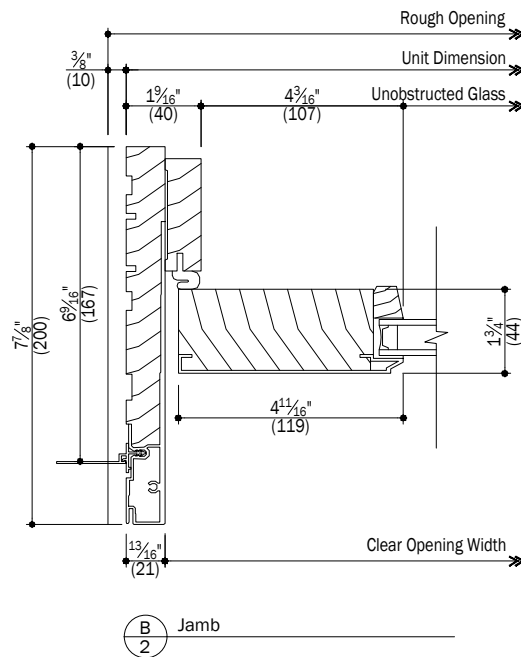
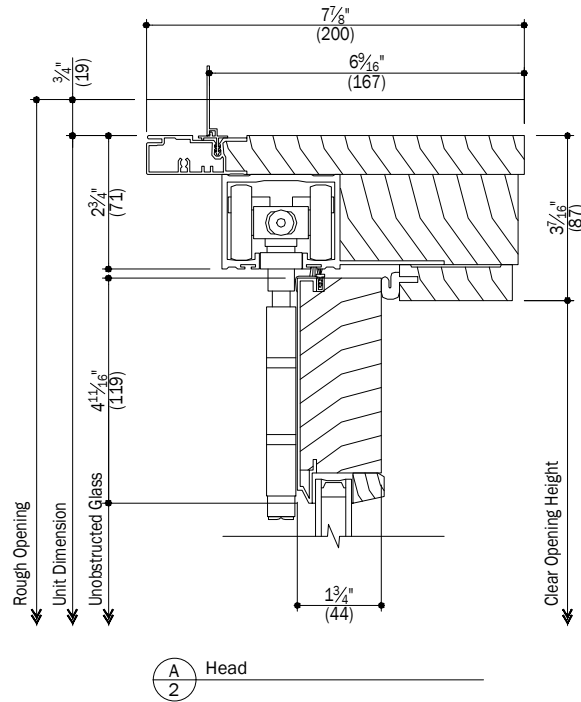
**Notes:**

Details have been optimized for use in architectural software and do not match manufacturing specifications. Dimensions in parentheses are in millimeters.

See Pages 7-11 for Accessories

Date: 09/08/22  
Scale: None

## Folding Outswing Doors Traditional Panels



**Notes:**

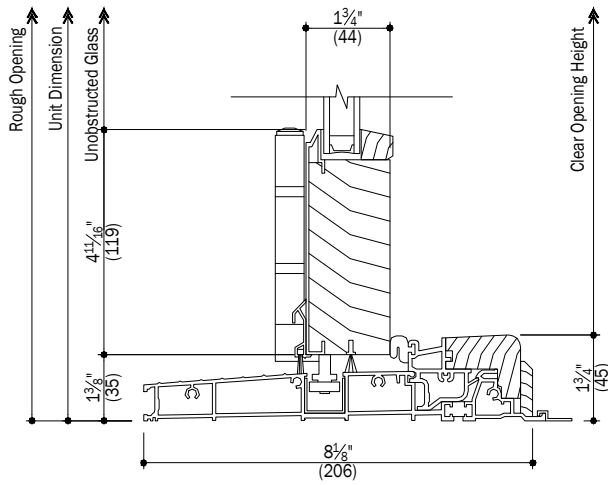
Details have been optimized for use in architectural software and do not match manufacturing specifications. Dimensions in parentheses are in millimeters.

See Pages 7-11 for Accessories

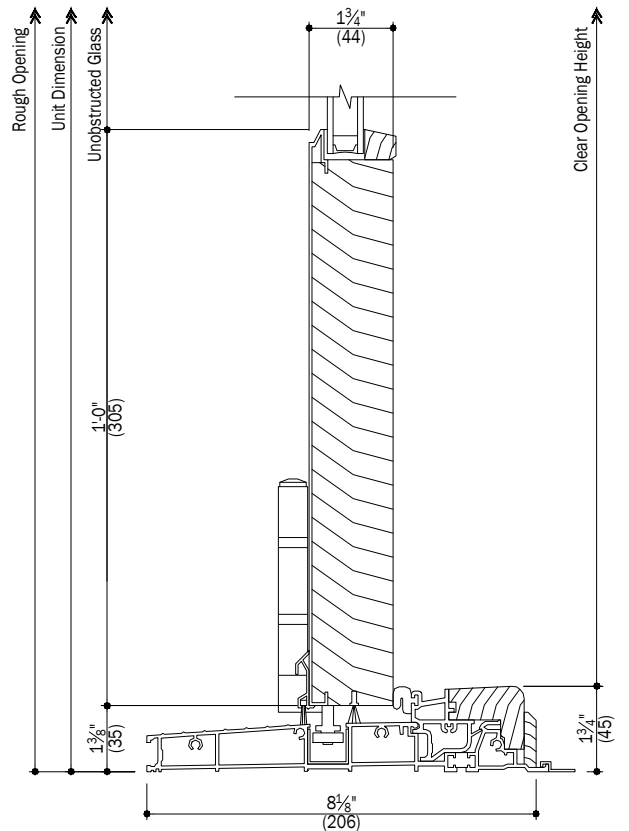
Date: 09/08/22  
Scale: 3" (76) = 1' (305)

# Big Doors

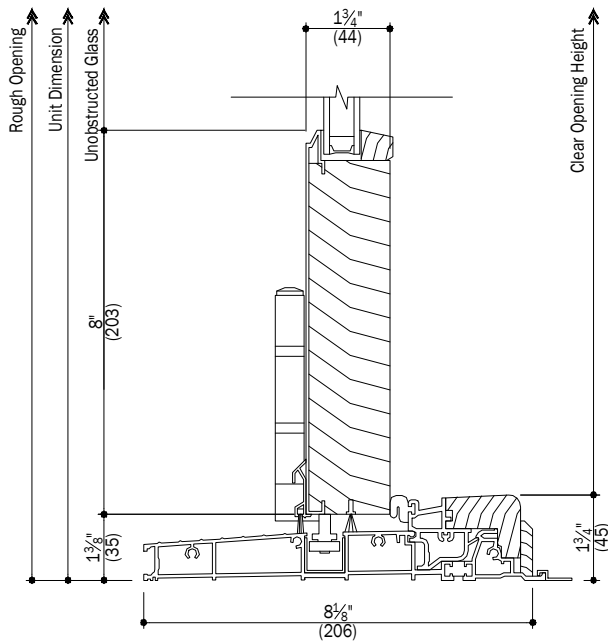
## Folding Outswing Doors Traditional Panels



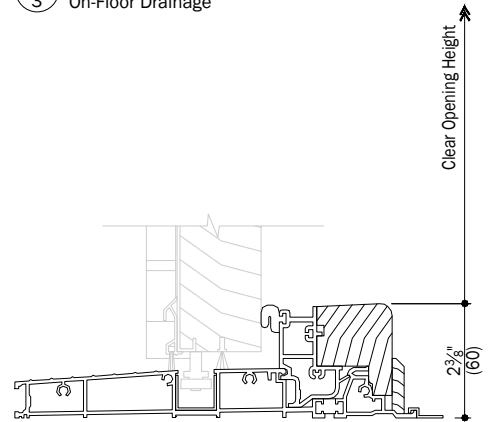
**A** Sill (4 1/16" Bottom Rail)  
**3** On-Floor Drainage



**C** Sill (12" Bottom Rail)  
**3** On-Floor Drainage



**B** Sill (8" Bottom Rail)  
**3** On-Floor Drainage



**D** Optional High Performance Sill  
**3** On-Floor Drainage

### Notes:

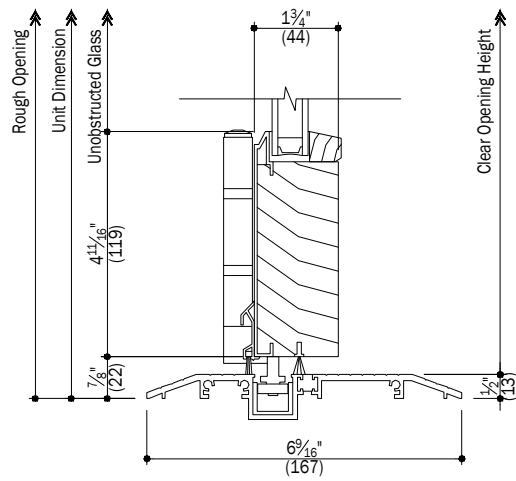
Details have been optimized for use in architectural software and do not match manufacturing specifications. Dimensions in parentheses are in millimeters.

See Pages 7-11 for Accessories

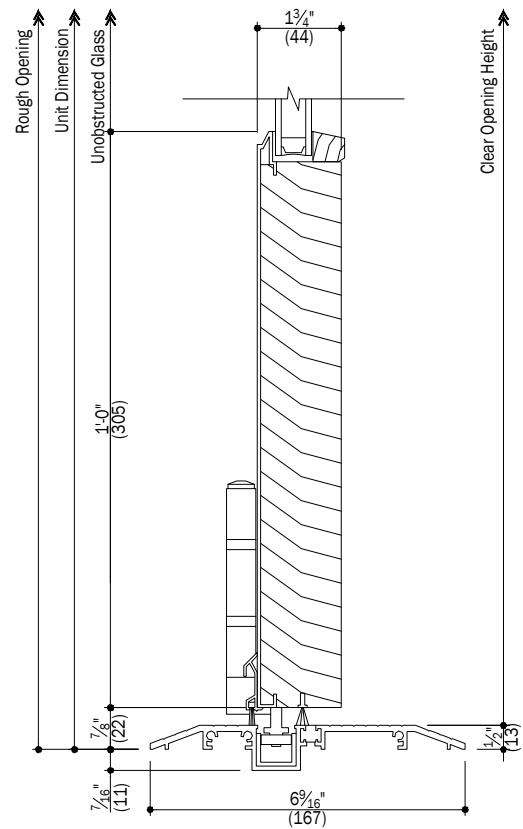
Date: 09/08/22  
Scale: 3" (76) = 1' (305)

# Big Doors

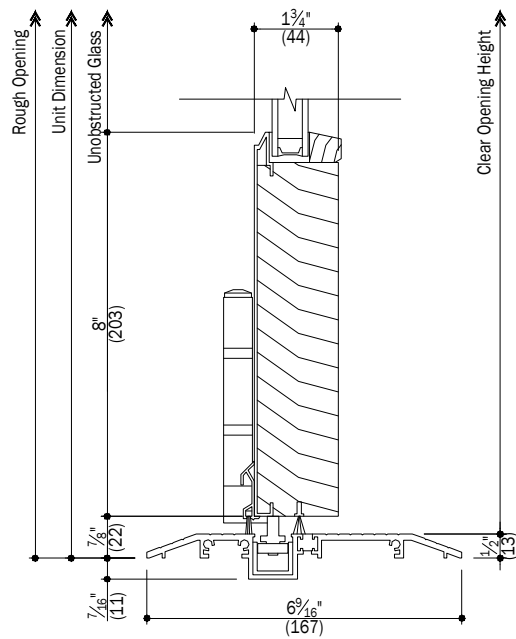
## Folding Outswing Doors Traditional Panels



**A** Sill (4 1/16" Bottom Rail)  
**4** On-Floor Low-Threshold



**C** Sill (12" Bottom Rail)  
**4** On-Floor Low-Threshold



**B** Sill (8" Bottom Rail)  
**4** On-Floor Low-Threshold

### Notes:

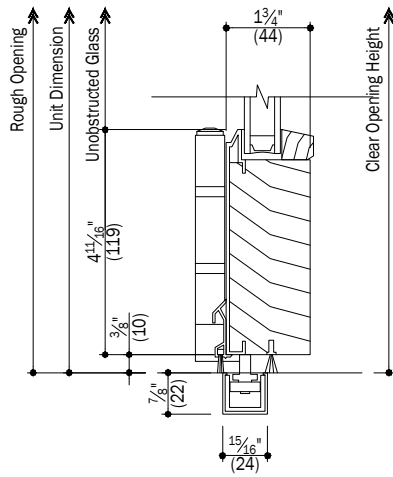
Details have been optimized for use in architectural software and do not match manufacturing specifications. Dimensions in parentheses are in millimeters.

See Pages 7-11 for Accessories

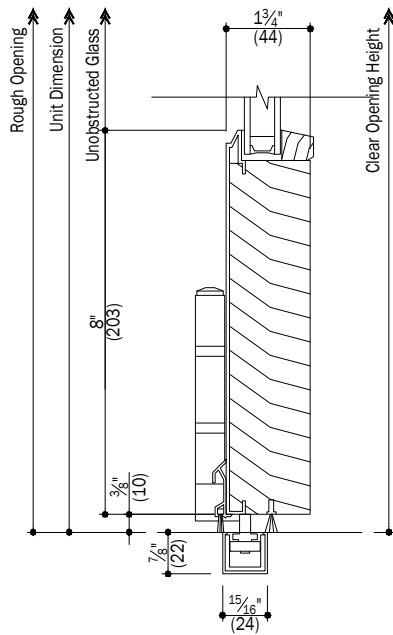
Date: 09/08/22  
Scale: 3" (76) = 1' (305)

# Big Doors

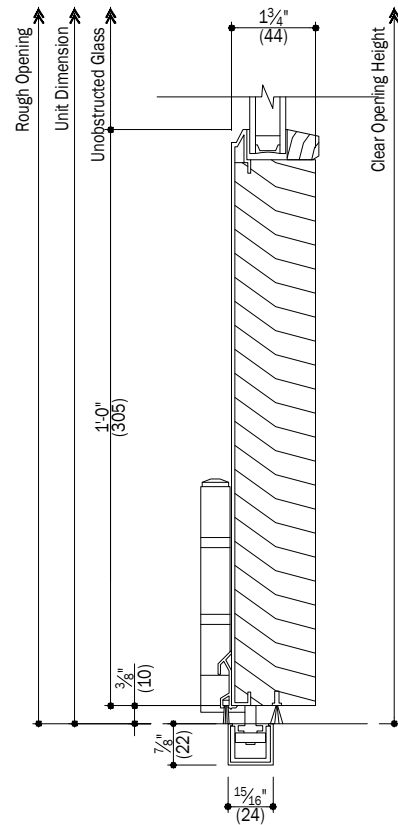
## Folding Outswing Doors Traditional Panels



Ⓐ Sill (4 1/16" Bottom Rail)  
5 Flush



Ⓑ Sill (8" Bottom Rail)  
5 Flush



Ⓒ Sill (12" Bottom Rail)  
5 Flush

### Notes:

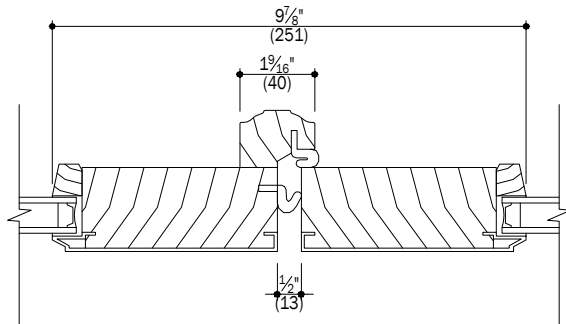
Details have been optimized for use in architectural software and do not match manufacturing specifications. Dimensions in parentheses are in millimeters.

See Pages 7-11 for Accessories

Date: 09/08/22  
Scale: 3" (76) = 1' (305)

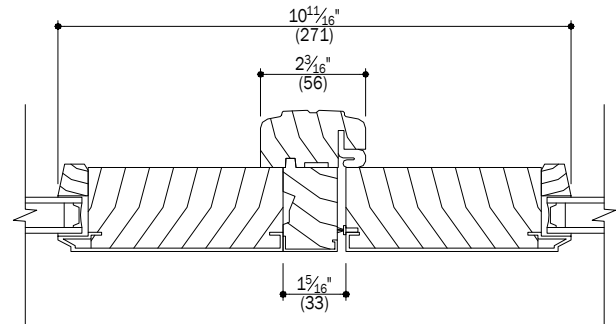
# Big Doors

## Folding Outswing Doors Traditional Panels



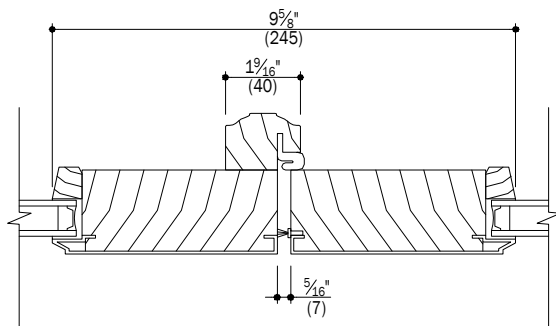
**A** Astragal  
**6** Leading/Leading

Leading/Leading astragals are used for door configurations of even/even numbers of panels. Examples are 2L/2R, 4L/4R, etc.



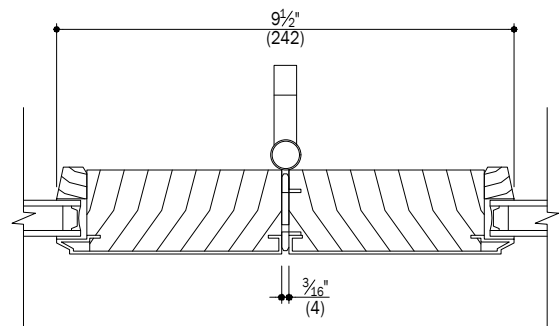
**C** Astragal  
**6** Passive/Active

Passive/Active astragals are used for door configurations of odd/odd numbers of panels. Examples are 3L/3R, 5L/5R, etc.



**B** Astragal  
**6** Leading/Active

Leading/Active astragals are used for door configurations of even/odd numbers of panels. Examples are 4L/3R, 6L/5R, etc.



**D** Astragal  
**6** Hinge

### Notes:

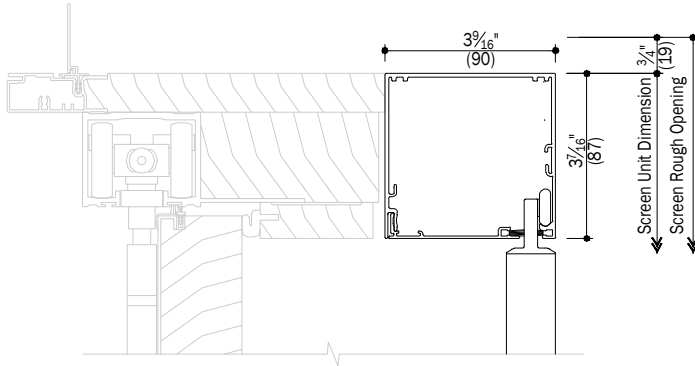
Details have been optimized for use in architectural software and do not match manufacturing specifications. Dimensions in parentheses are in millimeters.

See Pages 7-11 for Accessories

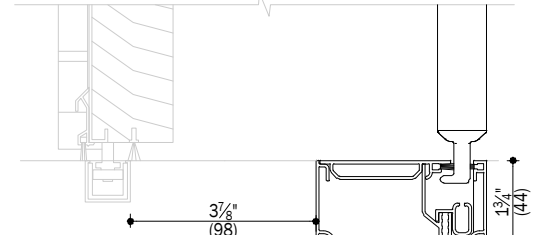
Date: 09/08/22  
Scale: 3" (76) = 1' (305)

# Big Doors

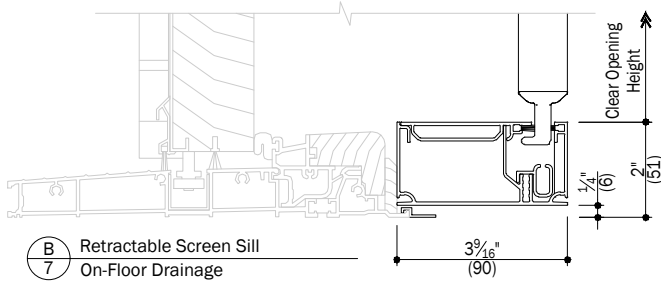
## Folding Outswing Doors Traditional Panels



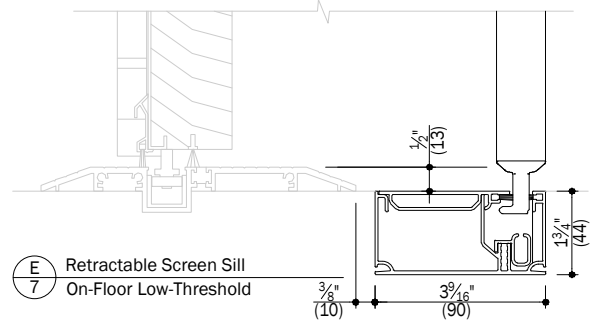
**A**  
7 Retractable Screen Head  
On-Floor Drainage



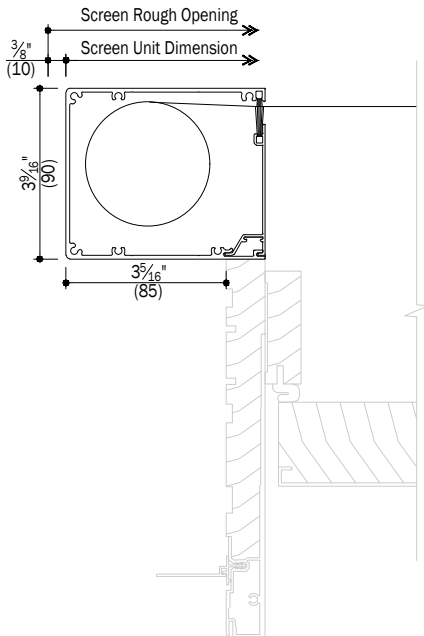
**D**  
7 Retractable Screen Sill  
Flush



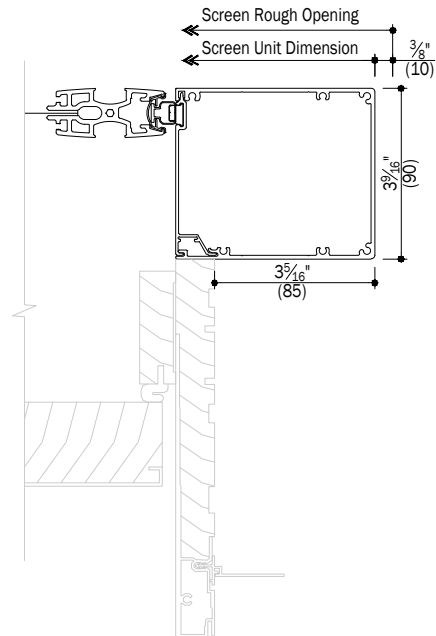
**B**  
7 Retractable Screen Sill  
On-Floor Drainage



**E**  
7 Retractable Screen Sill  
On-Floor Low-Threshold



**C**  
7 Retractable Screen Jamb



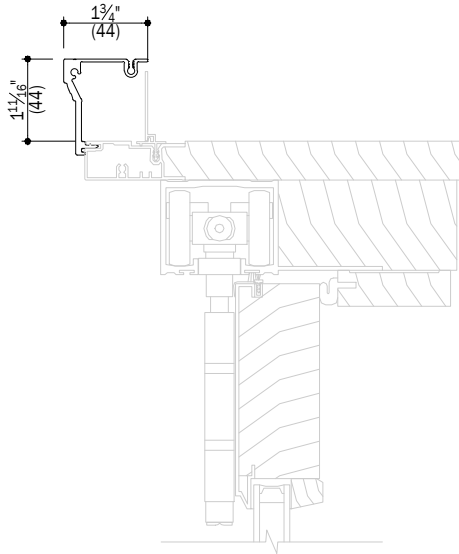
**F**  
7 Retractable Screen Jamb

### Notes:

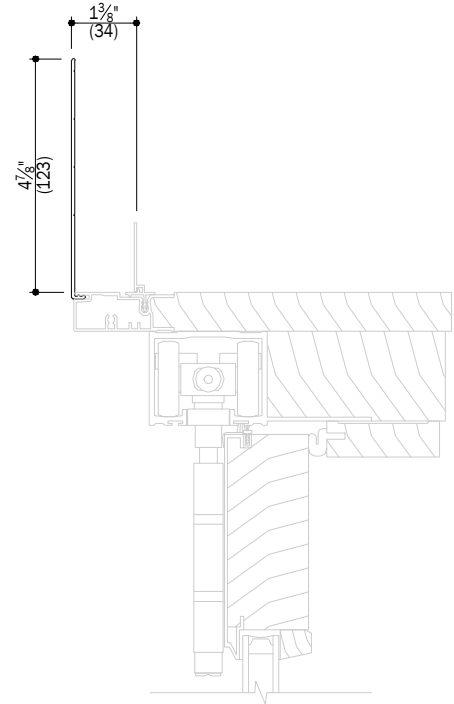
Details have been optimized for use in architectural software and do not match manufacturing specifications. Dimensions in parentheses are in millimeters.

# Big Doors

## Folding Outswing Doors Traditional Panels



**A**  
8 2" Aluminum Clad Brickmould



**C**  
8 5" Aluminum Clad Frame Expander

### Notes:

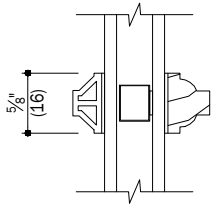
Details have been optimized for use in architectural software and do not match manufacturing specifications. Dimensions in parentheses are in millimeters.

Date: 09/08/22  
Scale: 3" (76) = 1' (305)

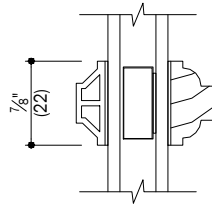


# Big Doors

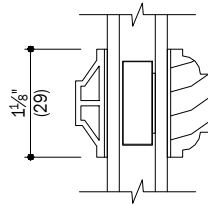
## Folding Outswing Doors Traditional Panels



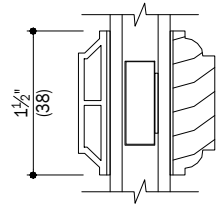
**A**  
9 5/8" Int. Colonial, Ext. Chamfer  
Full Divided Light



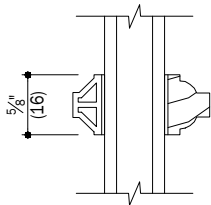
**E**  
9 7/8" Int. Colonial, Ext. Chamfer  
Full Divided Light



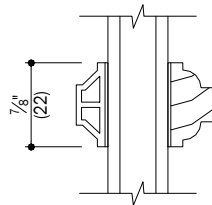
**J**  
9 1 1/8" Int. Colonial, Ext. Chamfer  
Full Divided Light



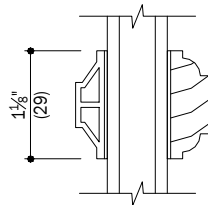
**N**  
9 1 1/2" Int. Colonial, Ext. Chamfer  
Full Divided Light



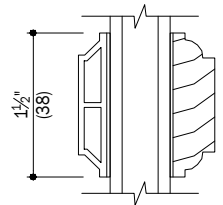
**B**  
9 5/8" Int. Colonial, Ext. Chamfer  
Simulated Divided Light  
Available as exterior grille bar Only



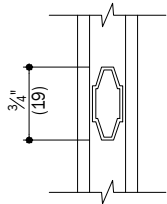
**F**  
9 7/8" Int. Colonial, Ext. Chamfer  
Simulated Divided Light  
Available as exterior grille bar Only  
Also available with removable interior



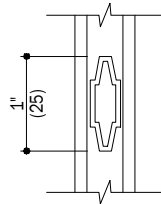
**K**  
9 1 1/8" Int. Colonial, Ext. Chamfer  
Simulated Divided Light  
Available as exterior grille bar Only



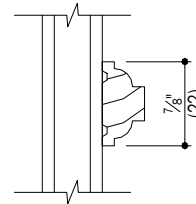
**P**  
9 1 1/2" Int. Colonial, Ext. Chamfer  
Simulated Divided Light  
Available as exterior grille bar Only



**C**  
9 3/4" Finelight (Contoured)



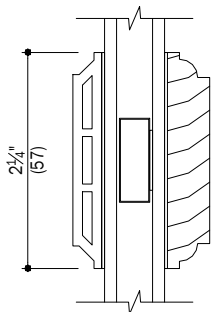
**G**  
9 1" Finelight (Contoured)



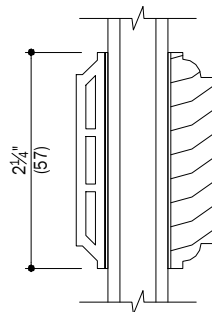
**L**  
9 7/8" Colonial  
Removable Interior Grille  
For Both KD & Full Surround Grilles



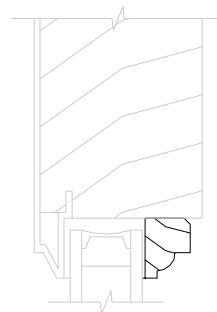
**Q**  
9 Surround for Full Surround Grilles  
Rectangle units only



**D**  
9 2 1/4" Int. Colonial, Ext. Chamfer  
Full Divided Light  
Simulated check rail



**H**  
9 2 1/4" Int. Colonial, Ext. Chamfer  
Simulated Divided Light  
Simulated check rail



**M**  
9 Ovolo (Colonial) Interior Glazing Stop

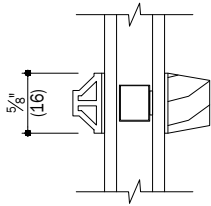
### Notes:

Details have been optimized for use in architectural software and do not match manufacturing specifications. Dimensions in parentheses are in millimeters.

Date: 09/08/22  
Scale: 3" (76) = 1' (305)

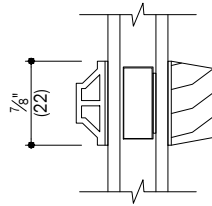
# Big Doors

## Folding Outswing Doors Traditional Panels



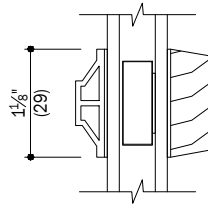
5/8" Int. Contemporary, Ext. Chamfer  
Full Divided Light

A  
10



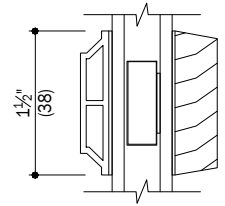
7/8" Int. Contemporary, Ext. Chamfer  
Full Divided Light

D  
10



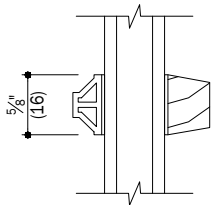
1 1/8" Int. Contemporary, Ext. Chamfer  
Full Divided Light

G  
10



1 1/2" Int. Contemporary, Ext. Chamfer  
Full Divided Light

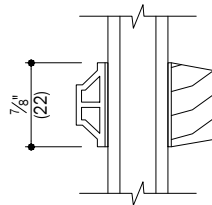
K  
10



5/8" Int. Contemporary, Ext. Chamfer  
Simulated Divided Light

B  
10

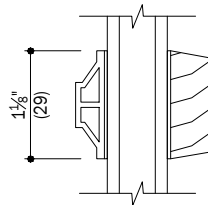
Available as exterior grille bar Only



7/8" Int. Contemporary, Ext. Chamfer  
Simulated Divided Light

E  
10

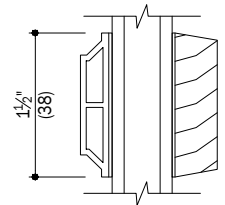
Available as exterior grille bar Only



1 1/8" Int. Contemporary, Ext. Chamfer  
Simulated Divided Light

H  
10

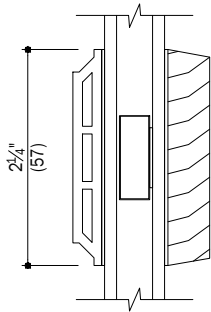
Available as exterior grille bar Only



1 1/2" Int. Contemporary, Ext. Chamfer  
Simulated Divided Light

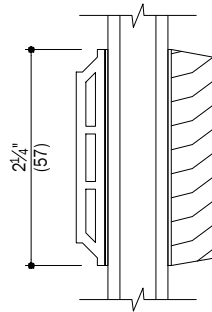
L  
10

Available as exterior grille bar Only



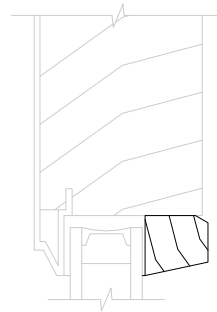
2 1/4" Int. Contemporary, Ext. Chamfer  
Full Divided Light  
Simulated check rail

C  
10



2 1/4" Int. Contemporary, Ext. Chamfer  
Simulated Divided Light  
Simulated check rail

F  
10



Contemporary Interior Glazing Stop

J  
10

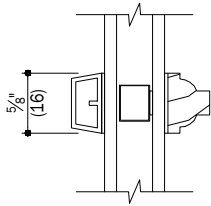
### Notes:

Details have been optimized for use in architectural software and do not match manufacturing specifications. Dimensions in parentheses are in millimeters.

Date: 09/08/22  
Scale: 3" (76) = 1' (305)

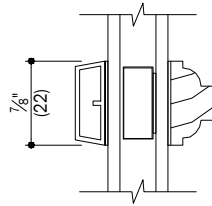
# Big Doors

## Folding Outswing Doors Traditional Panels



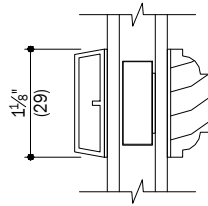
5/8" Int. Colonial, Ext. Contemporary  
Full Divided Light

A  
11



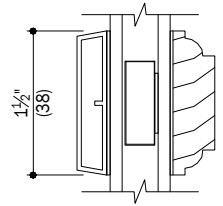
7/8" Int. Colonial, Ext. Contemporary  
Full Divided Light

D  
11



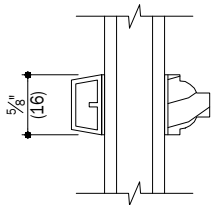
1 1/8" Int. Colonial, Ext. Contemporary  
Full Divided Light

G  
11



1 1/2" Int. Colonial, Ext. Contemporary  
Full Divided Light

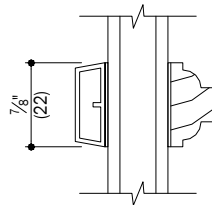
J  
11



5/8" Int. Colonial, Ext. Contemporary  
Simulated Divided Light

B  
11

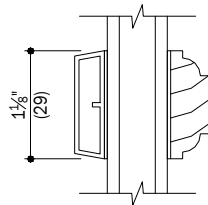
Available as exterior grille bar Only



7/8" Int. Colonial, Ext. Contemporary  
Simulated Divided Light

E  
11

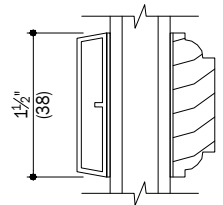
Available as exterior grille bar Only  
Also available with removable interior



1 1/8" Int. Colonial, Ext. Contemporary  
Simulated Divided Light

H  
11

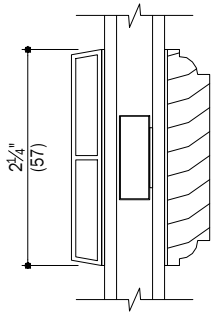
Available as exterior grille bar Only



1 1/2" Int. Colonial, Ext. Contemporary  
Simulated Divided Light

K  
11

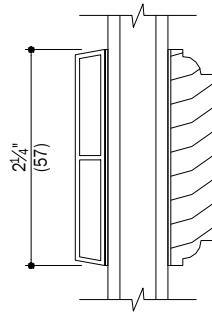
Available as exterior grille bar Only



2 1/4" Int. Colonial, Ext. Contemporary  
Full Divided Light

C  
11

Simulated check rail



2 1/4" Int. Colonial, Ext. Contemporary  
Simulated Divided Light

F  
11

Simulated check rail

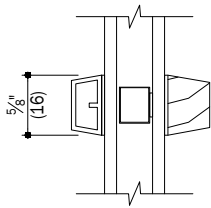
### Notes:

Details have been optimized for use in architectural software and do not match manufacturing specifications.  
Dimensions in parentheses are in millimeters.

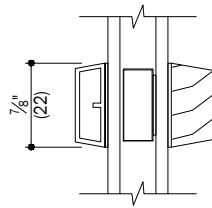
Date: 09/08/22  
Scale: 3" (76) = 1' (305)

# Big Doors

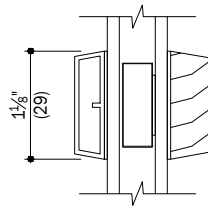
## Folding Outswing Doors Traditional Panels



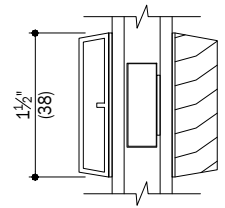
**A**  
12  $\frac{5}{8}$ " Int. & Ext. Contemporary  
Full Divided Light



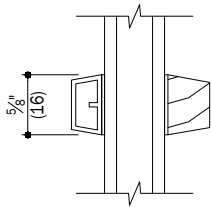
**D**  
12  $\frac{7}{8}$ " Int. & Ext. Contemporary  
Full Divided Light



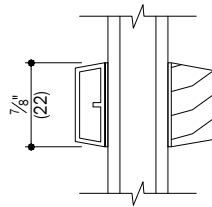
**G**  
12  $1\frac{1}{8}$ " Int. & Ext. Contemporary  
Full Divided Light



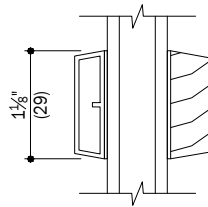
**J**  
12  $1\frac{1}{2}$ " Int. & Ext. Contemporary  
Full Divided Light



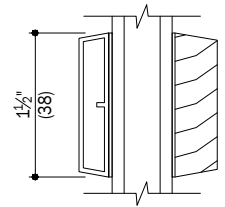
**B**  
12  $\frac{5}{8}$ " Int. & Ext. Contemporary  
Simulated Divided Light  
Available as exterior grille bar Only



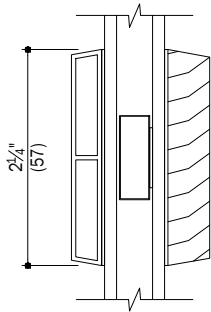
**E**  
12  $\frac{7}{8}$ " Int. & Ext. Contemporary  
Simulated Divided Light  
Available as exterior grille bar Only



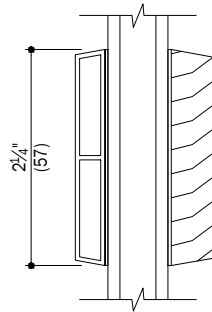
**H**  
12  $1\frac{1}{8}$ " Int. & Ext. Contemporary  
Simulated Divided Light  
Available as exterior grille bar Only



**K**  
12  $1\frac{1}{2}$ " Int. & Ext. Contemporary  
Simulated Divided Light  
Available as exterior grille bar Only



**C**  
12  $2\frac{1}{4}$ " Int. & Ext. Contemporary  
Full Divided Light  
Simulated check rail



**F**  
12  $2\frac{1}{4}$ " Int. & Ext. Contemporary  
Simulated Divided Light  
Simulated check rail

### Notes:

Details have been optimized for use in architectural software and do not match manufacturing specifications. Dimensions in parentheses are in millimeters.

Date: 09/08/22  
Scale: 3" (76) = 1' (305)