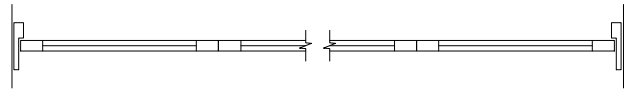
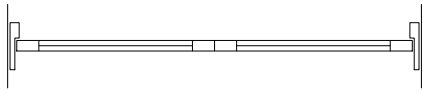
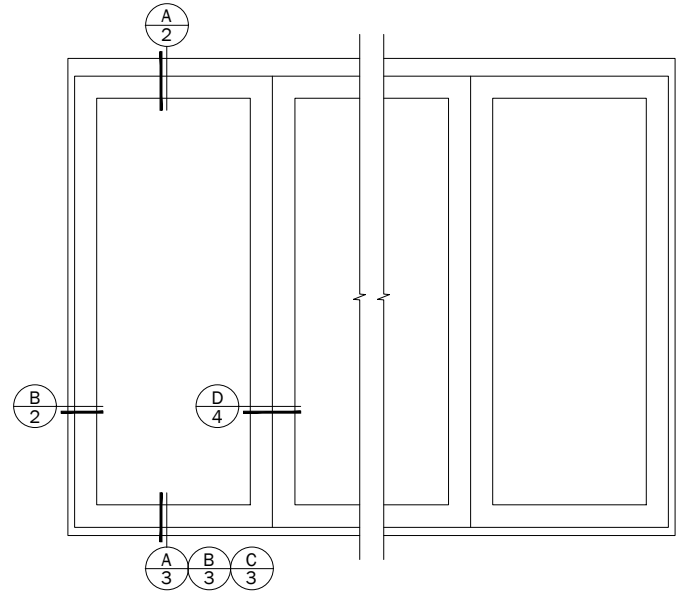
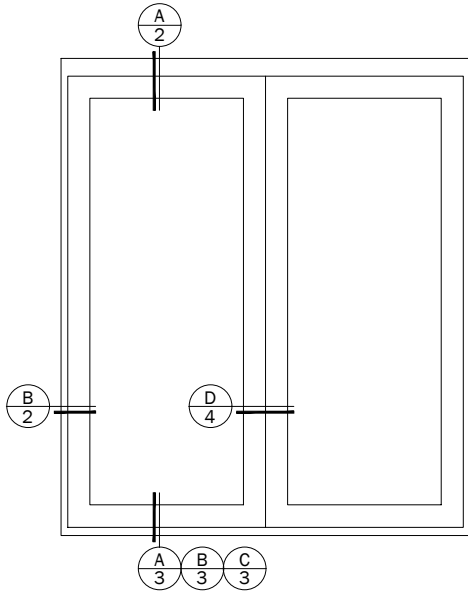


Big Doors

Folding Outswing Doors
Contemporary Panel



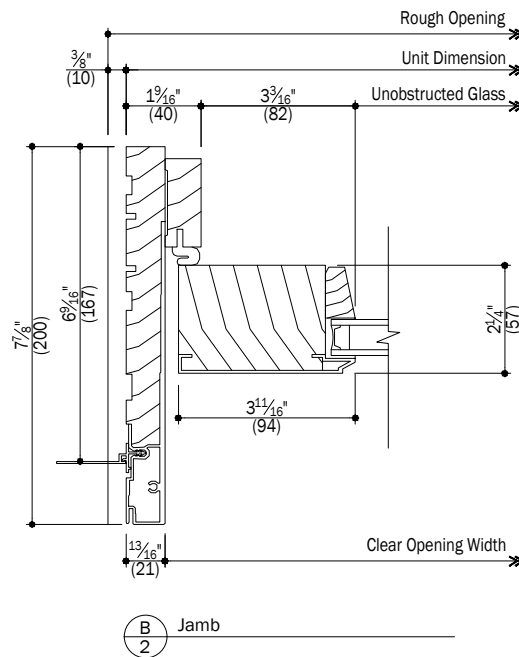
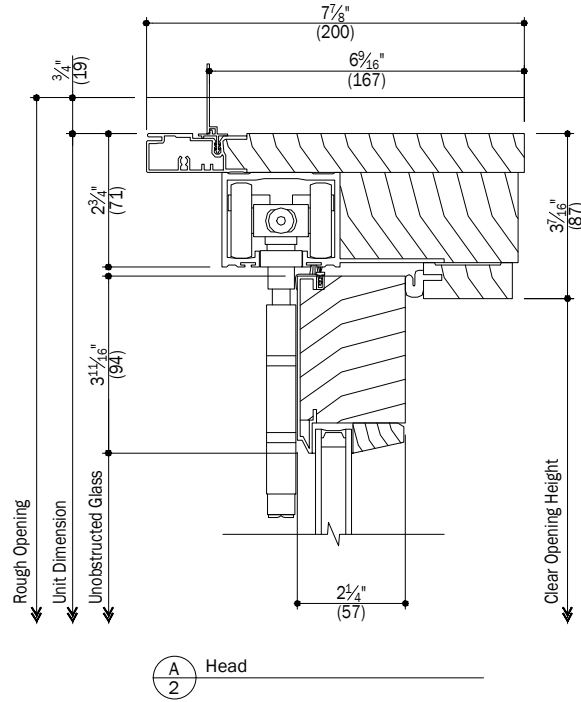
Notes:

Details have been optimized for use in architectural software and do not match manufacturing specifications. Dimensions in parentheses are in millimeters.

See Pages 5-9 for Accessories

Date: 09/08/22
Scale: None

Folding Outswing Doors Contemporary Panel



Notes:

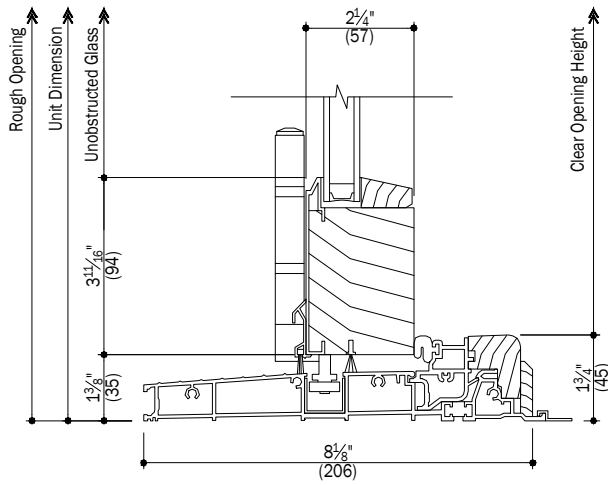
Details have been optimized for use in architectural software and do not match manufacturing specifications.
Dimensions in parentheses are in millimeters.

See Pages 5-9 for Accessories

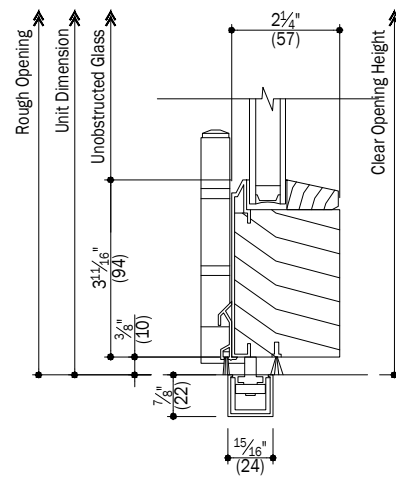
Date: 09/08/22
Scale: 3" (76) = 1' (305)

Big Doors

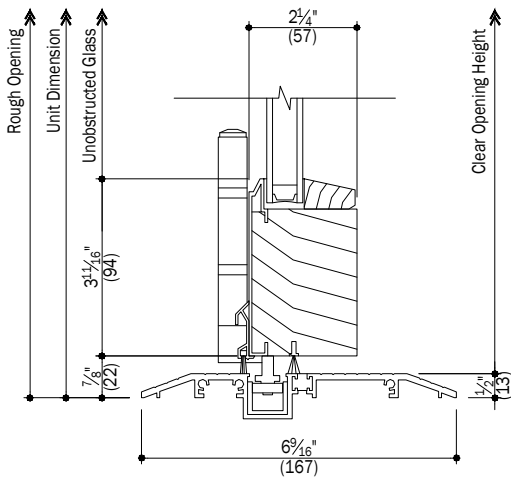
Folding Outswing Doors
Contemporary Panel



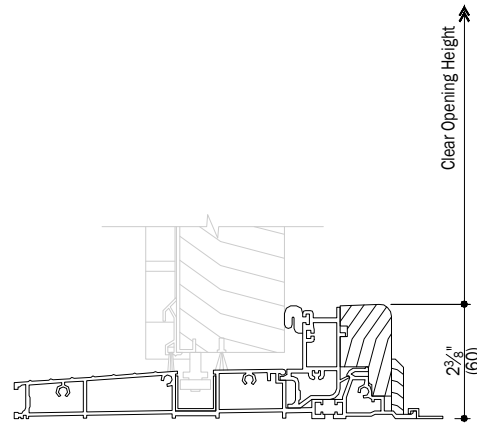
A Sill (3 1/16" Bottom Rail)
3 On-Floor Drainage



C Sill (3 1/16" Bottom Rail)
3 Flush



B Sill (3 1/16" Bottom Rail)
3 On-Floor Low-Threshold



D Optional High Performance Sill
3 On-Floor Drainage

Notes:

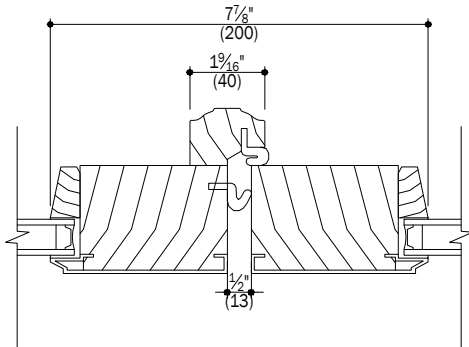
Details have been optimized for use in architectural software and do not match manufacturing specifications. Dimensions in parentheses are in millimeters.

See Pages 5-9 for Accessories

Date: 09/08/22
Scale: 3" (76) = 1' (305)

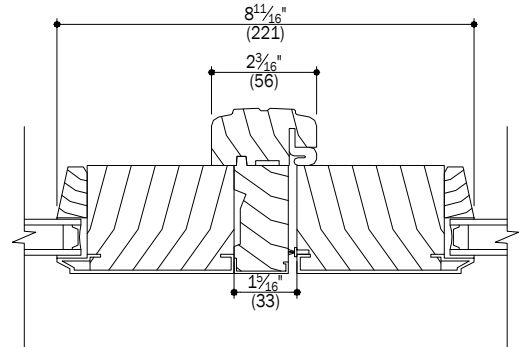
Big Doors

Folding Outswing Doors Contemporary Panel



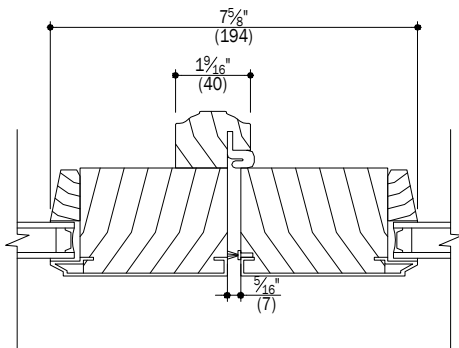
A Astragal
4 Leading/Leading

Leading/Leading astragals are used for door configurations of even/even numbers of panels. Examples are 2L/2R, 4L/4R, etc.



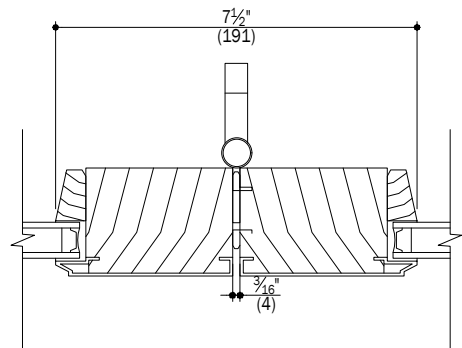
C Astragal
4 Passive/Active

Passive/Active astragals are used for door configurations of odd/odd numbers of panels. Examples are 3L/3R, 5L/5R, etc.



B Astragal
4 Leading/Active

Leading/Active astragals are used for door configurations of even/odd numbers of panels. Examples are 4L/3R, 6L/5R, etc.



D Astragal
4 Hinge

Notes:

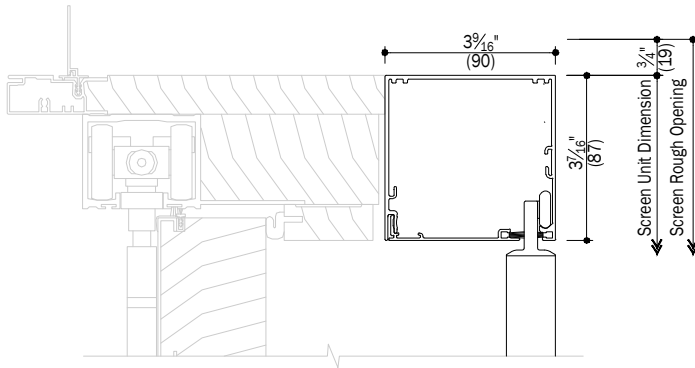
Details have been optimized for use in architectural software and do not match manufacturing specifications. Dimensions in parentheses are in millimeters.

See Pages 5-9 for Accessories

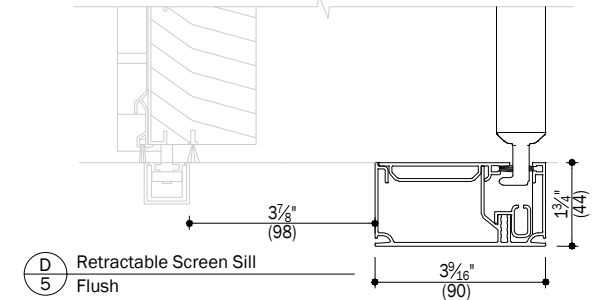
Date: 09/08/22
Scale: 3" (76) = 1' (305)

Big Doors

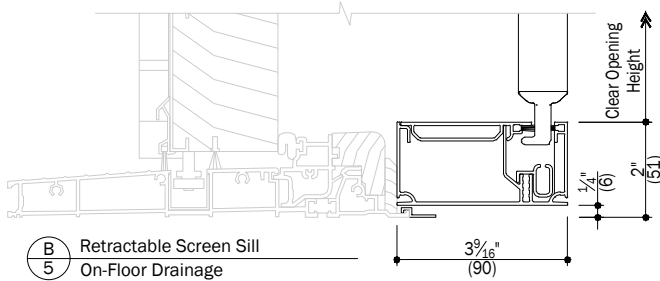
Folding Outswing Doors Traditional Panels



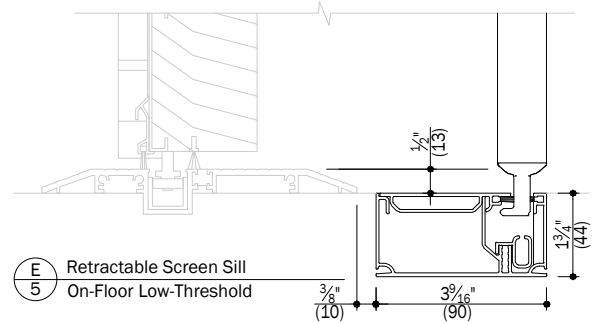
A
5 Retractable Screen Head
On-Floor Drainage



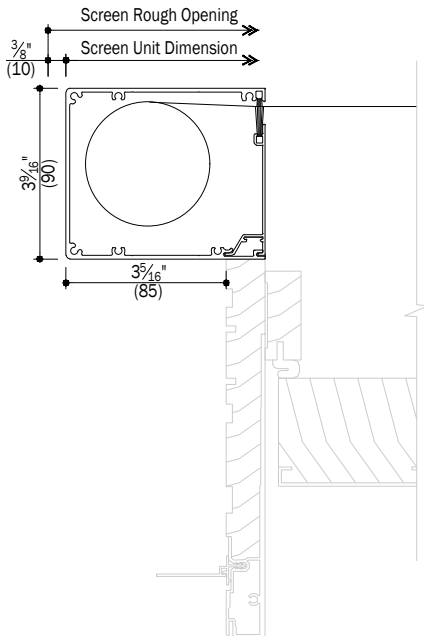
D
5 Retractable Screen Sill
Flush



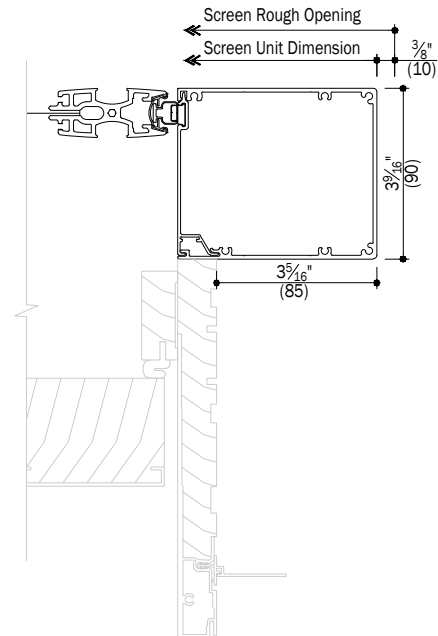
B
5 Retractable Screen Sill
On-Floor Drainage



E
5 Retractable Screen Sill
On-Floor Low-Threshold



C
5 Retractable Screen Jamb



F
5 Retractable Screen Jamb

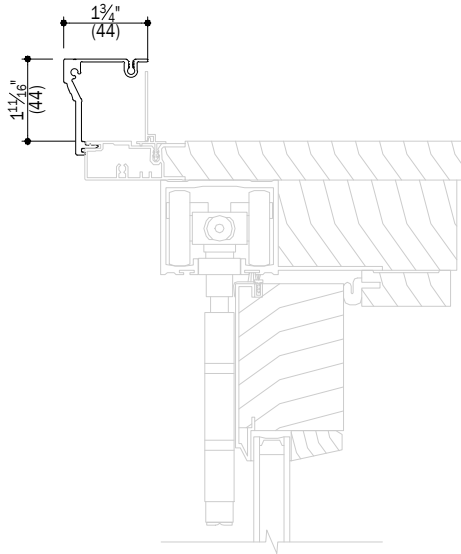
Notes:

Details have been optimized for use in architectural software and do not match manufacturing specifications. Dimensions in parentheses are in millimeters.

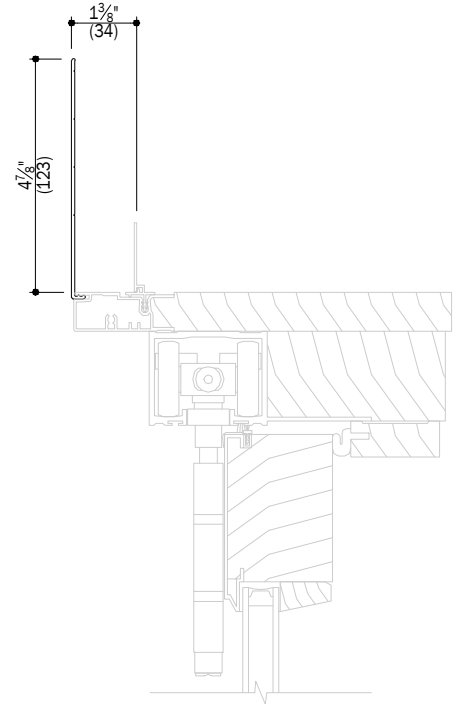
Date: 09/08/22
Scale: 3" (76) = 1' (305)

Big Doors

Folding Outswing Doors
Contemporary Panel



A
6 2" Aluminum Clad Brickmould



C
6 5" Aluminum Clad Frame Expander

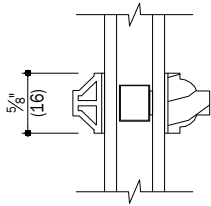
Notes:

Details have been optimized for use in architectural software and do not match manufacturing specifications. Dimensions in parentheses are in millimeters.

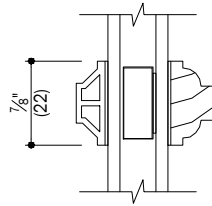
Date: 09/08/22
Scale: 3" (76) = 1' (305)

Big Doors

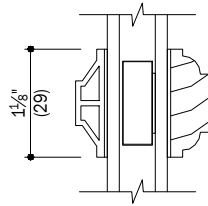
Folding Outswing Doors Contemporary Panel



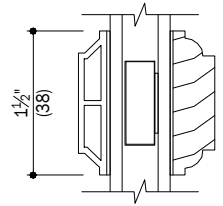
A
7
5/8" Int. Colonial, Ext. Chamfer
Full Divided Light



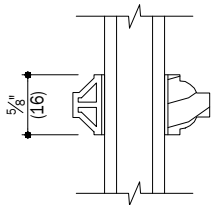
E
7
7/8" Int. Colonial, Ext. Chamfer
Full Divided Light



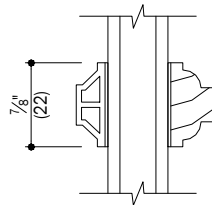
J
7
1 1/8" Int. Colonial, Ext. Chamfer
Full Divided Light



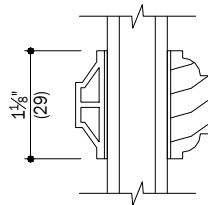
N
7
1 1/2" Int. Colonial, Ext. Chamfer
Full Divided Light



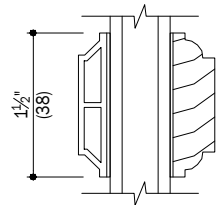
B
7
5/8" Int. Colonial, Ext. Chamfer
Simulated Divided Light
Available as exterior grille bar Only



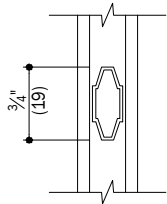
F
7
7/8" Int. Colonial, Ext. Chamfer
Simulated Divided Light
Available as exterior grille bar Only
Also available with removable interior



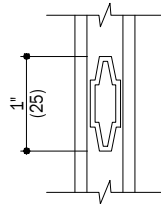
K
7
1 1/8" Int. Colonial, Ext. Chamfer
Simulated Divided Light
Available as exterior grille bar Only



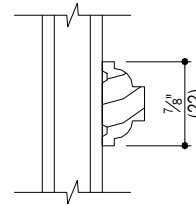
P
7
1 1/2" Int. Colonial, Ext. Chamfer
Simulated Divided Light
Available as exterior grille bar Only



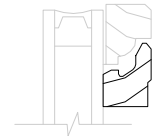
C
7
3/4" Finelight (Contoured)



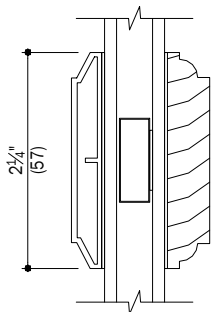
G
7
1" Finelight (Contoured)



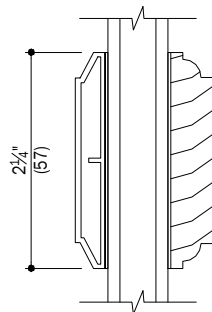
L
7
7/8" Colonial
Removable Interior Grille
For Both KD & Full Surround Grilles



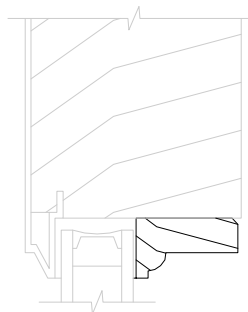
Q
7
Surround for Full Surround Grilles
Rectangle units only



D
7
2 1/4" Int. Colonial, Ext. Chamfer
Full Divided Light
Simulated check rail



H
7
2 1/4" Int. Colonial, Ext. Chamfer
Simulated Divided Light
Simulated check rail



M
7
Ovolo (Colonial) Interior Glazing Stop

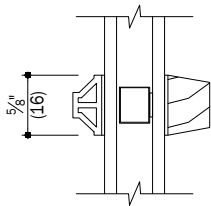
Notes:

Details have been optimized for use in architectural software and do not match manufacturing specifications. Dimensions in parentheses are in millimeters.

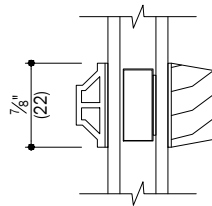
Date: 09/08/22
Scale: 3" (76) = 1' (305)

Big Doors

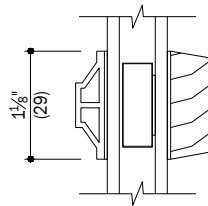
Folding Outswing Doors Contemporary Panel



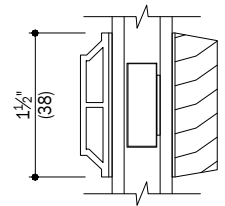
A
8 $\frac{5}{8}$ " Int. Contemporary, Ext. Chamfer Full Divided Light



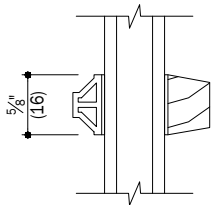
D
8 $\frac{7}{8}$ " Int. Contemporary, Ext. Chamfer Full Divided Light



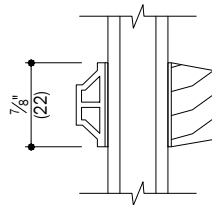
G
8 $1\frac{1}{8}$ " Int. Contemporary, Ext. Chamfer Full Divided Light



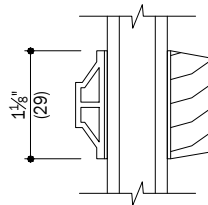
K
8 $1\frac{1}{2}$ " Int. Contemporary, Ext. Chamfer Full Divided Light



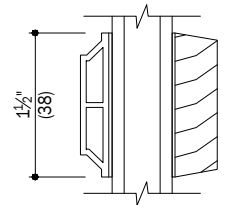
B
8 $\frac{5}{8}$ " Int. Contemporary, Ext. Chamfer Simulated Divided Light
Available as exterior grille bar Only



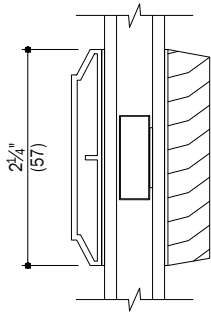
E
8 $\frac{7}{8}$ " Int. Contemporary, Ext. Chamfer Simulated Divided Light
Available as exterior grille bar Only



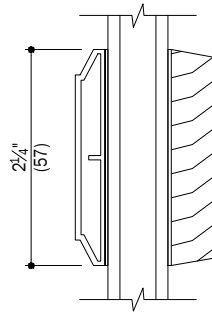
H
8 $1\frac{1}{8}$ " Int. Contemporary, Ext. Chamfer Simulated Divided Light
Available as exterior grille bar Only



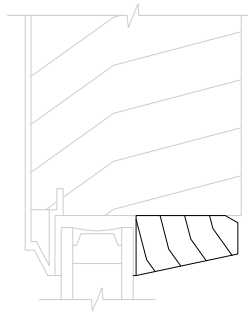
L
8 $1\frac{1}{2}$ " Int. Contemporary, Ext. Chamfer Simulated Divided Light
Available as exterior grille bar Only



C
8 $2\frac{1}{4}$ " Int. Contemporary, Ext. Chamfer Full Divided Light
Simulated check rail



F
8 $2\frac{1}{4}$ " Int. Contemporary, Ext. Chamfer Simulated Divided Light
Simulated check rail



J
8 Contemporary Interior Glazing Stop

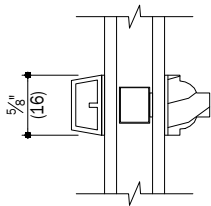
Notes:

Details have been optimized for use in architectural software and do not match manufacturing specifications. Dimensions in parentheses are in millimeters.

Date: 09/08/22
Scale: 3" (76) = 1' (305)

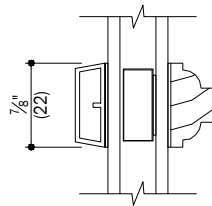
Big Doors

Folding Outswing Doors Contemporary Panel



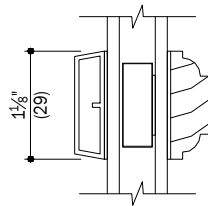
5/8" Int. Colonial, Ext. Contemporary
Full Divided Light

A
9



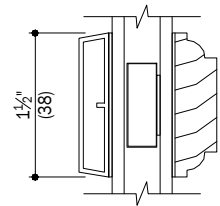
7/8" Int. Colonial, Ext. Contemporary
Full Divided Light

D
9



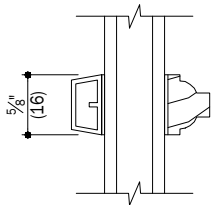
1 1/8" Int. Colonial, Ext. Contemporary
Full Divided Light

G
9



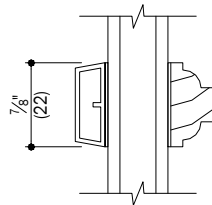
1 1/2" Int. Colonial, Ext. Contemporary
Full Divided Light

J
9



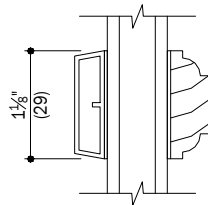
5/8" Int. Colonial, Ext. Contemporary
Simulated Divided Light

B
9



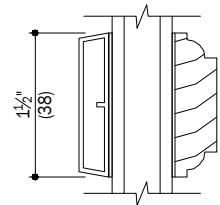
7/8" Int. Colonial, Ext. Contemporary
Simulated Divided Light

E
9



1 1/8" Int. Colonial, Ext. Contemporary
Simulated Divided Light

H
9



1 1/2" Int. Colonial, Ext. Contemporary
Simulated Divided Light

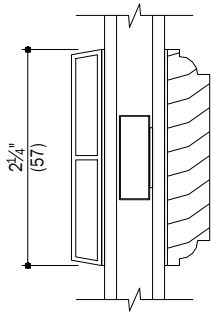
K
9

Available as exterior grille bar Only

Available as exterior grille bar Only
Also available with removable interior

Available as exterior grille bar Only

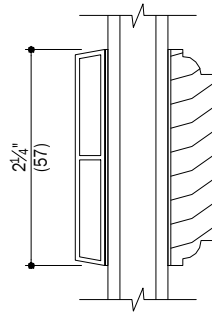
Available as exterior grille bar Only



2 1/4" Int. Colonial, Ext. Contemporary
Full Divided Light

C
9

Simulated check rail



2 1/4" Int. Colonial, Ext. Contemporary
Simulated Divided Light

F
9

Simulated check rail

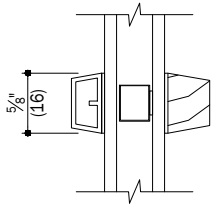
Notes:

Details have been optimized for use in architectural software and do not match manufacturing specifications. Dimensions in parentheses are in millimeters.

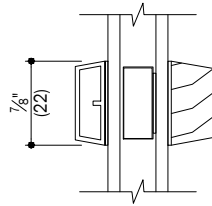
Date: 09/08/22
Scale: 3" (76) = 1' (305)

Big Doors

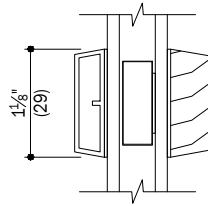
Folding Outswing Doors Contemporary Panel



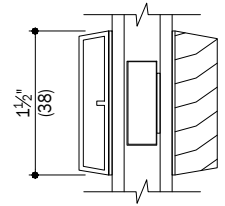
A
10 $\frac{5}{8}$ " Int. & Ext. Contemporary
Full Divided Light



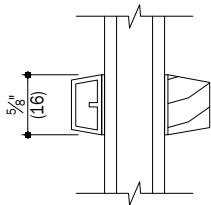
D
10 $\frac{7}{8}$ " Int. & Ext. Contemporary
Full Divided Light



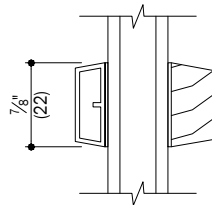
G
10 $1\frac{1}{8}$ " Int. & Ext. Contemporary
Full Divided Light



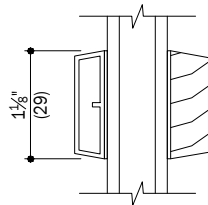
J
10 $1\frac{1}{2}$ " Int. & Ext. Contemporary
Full Divided Light



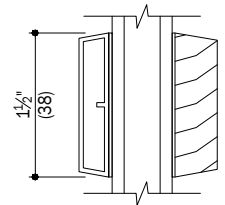
B
10 $\frac{5}{8}$ " Int. & Ext. Contemporary
Simulated Divided Light
Available as exterior grille bar Only



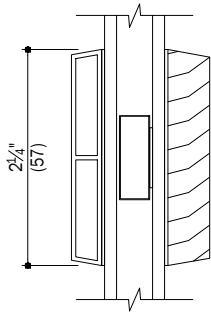
E
10 $\frac{7}{8}$ " Int. & Ext. Contemporary
Simulated Divided Light
Available as exterior grille bar Only



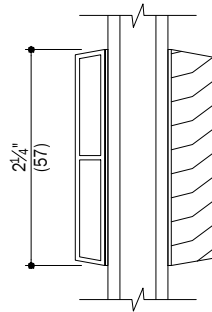
H
10 $1\frac{1}{8}$ " Int. & Ext. Contemporary
Simulated Divided Light
Available as exterior grille bar Only



K
10 $1\frac{1}{2}$ " Int. & Ext. Contemporary
Simulated Divided Light
Available as exterior grille bar Only



C
10 $2\frac{1}{4}$ " Int. & Ext. Contemporary
Full Divided Light
Simulated check rail



F
10 $2\frac{1}{4}$ " Int. & Ext. Contemporary
Simulated Divided Light
Simulated check rail

Notes:

Details have been optimized for use in architectural software and do not match manufacturing specifications. Dimensions in parentheses are in millimeters.

Date: 09/08/22
Scale: 3" (76) = 1' (305)