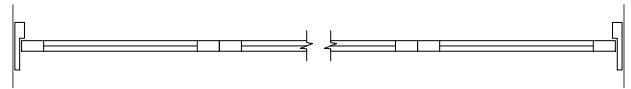
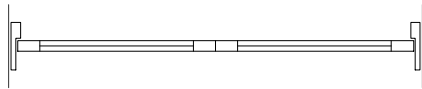
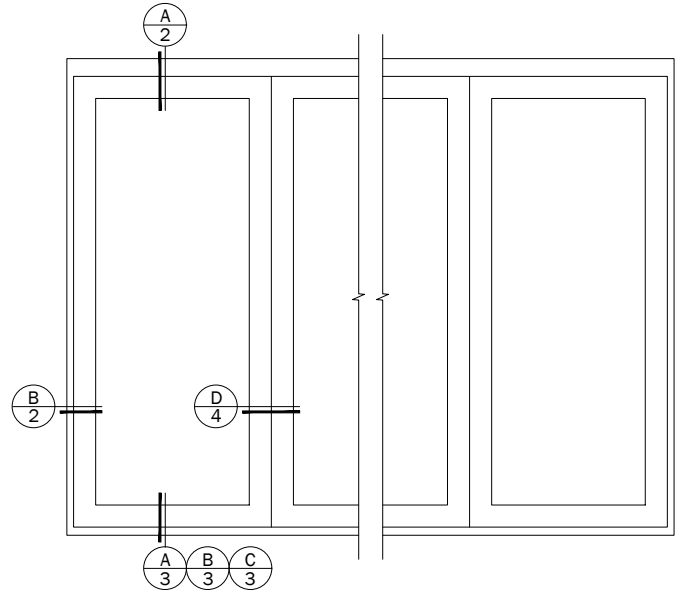
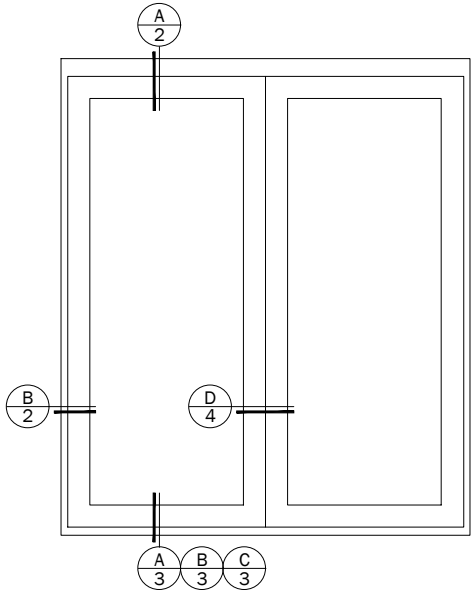


Big Doors

Folding Outswing Doors
Contemporary Panel



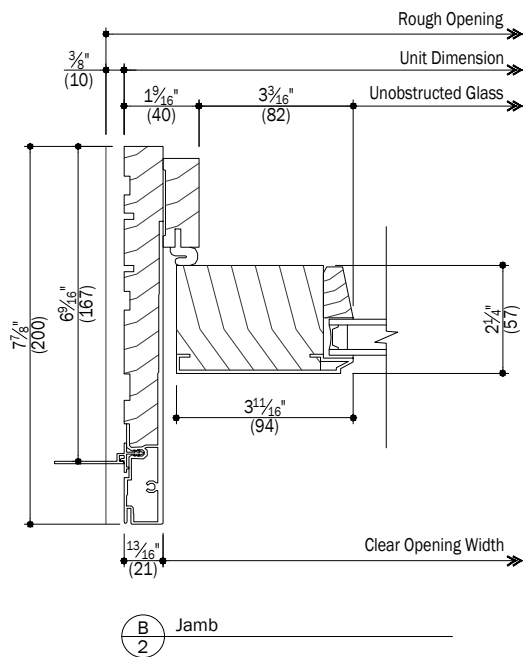
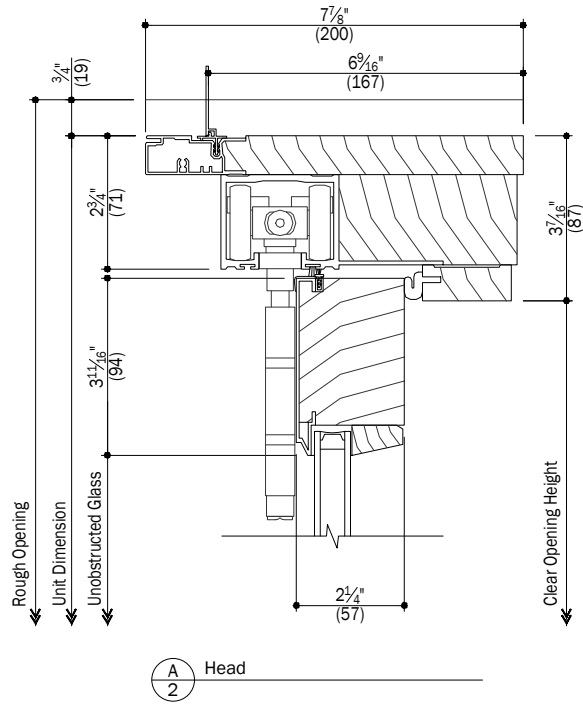
Notes:

Details have been optimized for use in architectural software and do not match manufacturing specifications. Dimensions in parentheses are in millimeters.

See Pages 5-9 for Accessories

Date: 10/15/18
Scale: None

Folding Outswing Doors Contemporary Panel



Notes:

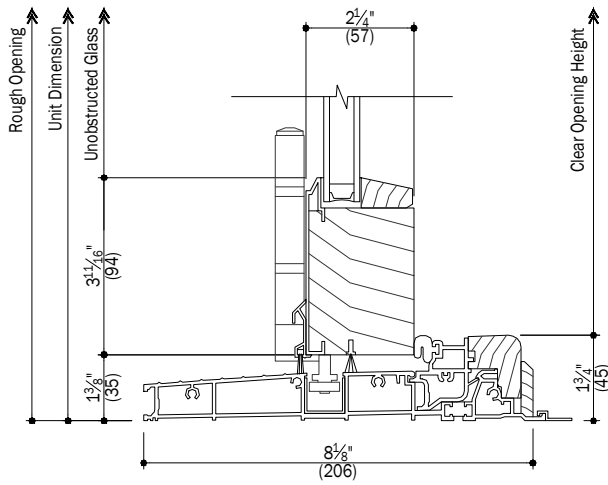
Details have been optimized for use in architectural software and do not match manufacturing specifications. Dimensions in parentheses are in millimeters.

See Pages 5-9 for Accessories

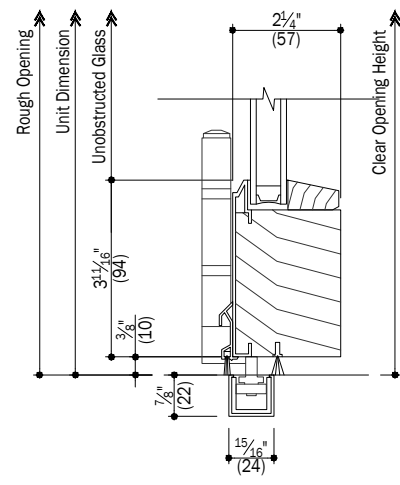
Date: 10/15/18
Scale: 3" (76) = 1' (305)

Big Doors

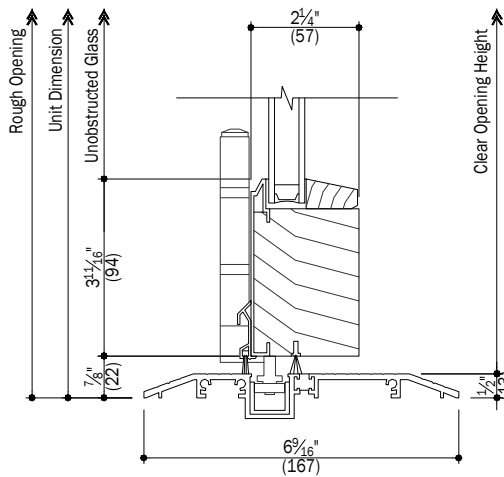
Folding Outswing Doors Contemporary Panel



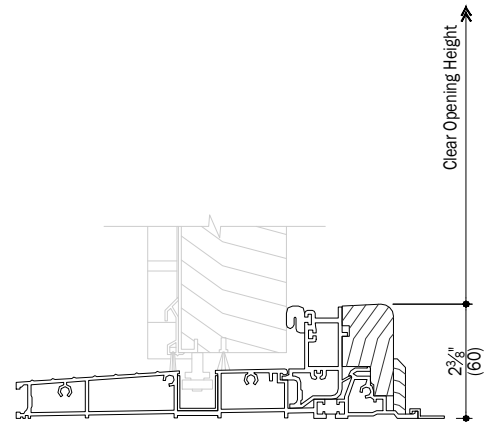
A
3 Sill (4 1/16" Bottom Rail)
On-Floor Drainage



C
3 Sill (4 1/16" Bottom Rail)
Flush



B
3 Sill (4 1/16" Bottom Rail)
On-Floor Low-Threshold



D
3 Optional High Performance Sill
On-Floor Drainage

Notes:

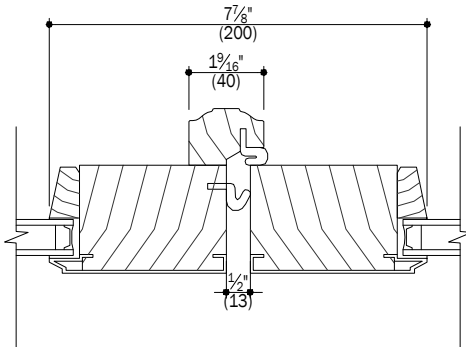
Details have been optimized for use in architectural software and do not match manufacturing specifications. Dimensions in parentheses are in millimeters.

See Pages 5-9 for Accessories

Date: 10/15/18
Scale: 3" (76) = 1' (305)

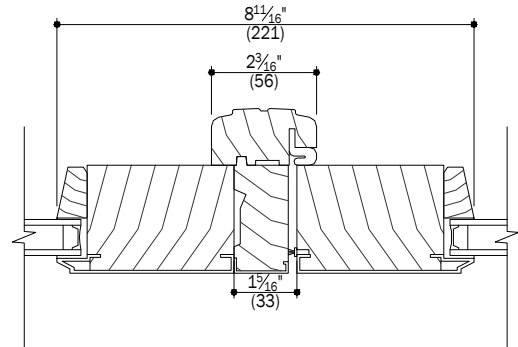
Big Doors

Folding Outswing Doors Contemporary Panel



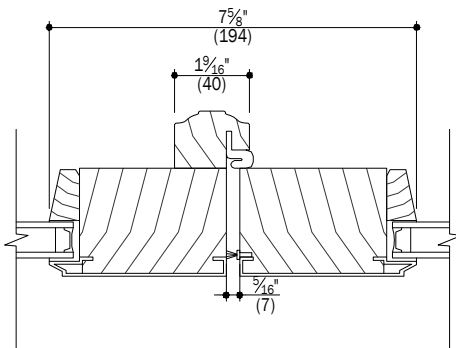
A
4 Astragal
Leading/Leading

Leading/Leading astragals are used for door configurations of even/even numbers of panels. Examples are 2L/2R, 4L/4R, etc.



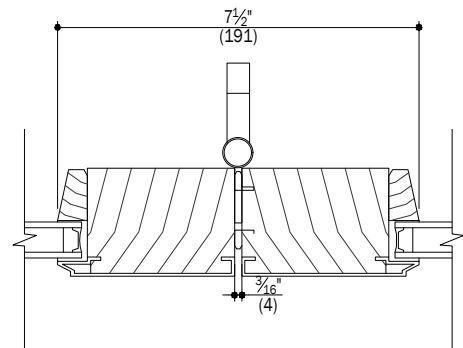
C
4 Astragal
Passive/Active

Leading/Active astragals are used for door configurations of even/odd numbers of panels. Examples are 4L/3R, 6L/5R, etc.



B
4 Astragal
Leading/Active

Passive/Active astragals are used for door configurations of odd/odd numbers of panels. Examples are 3L/3R, 5L/5R, etc.



D
4 Astragal
Hinge

Notes:

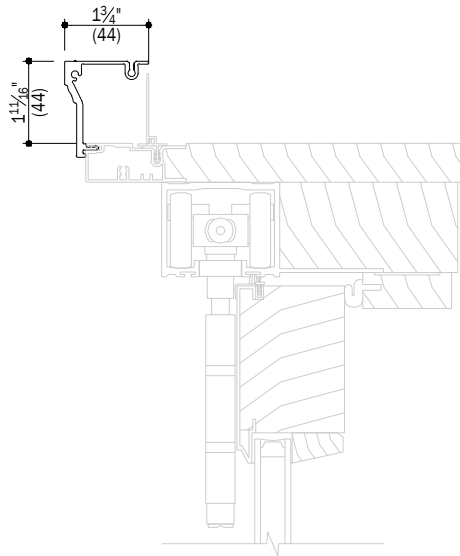
Details have been optimized for use in architectural software and do not match manufacturing specifications. Dimensions in parentheses are in millimeters.

See Pages 5-9 for Accessories

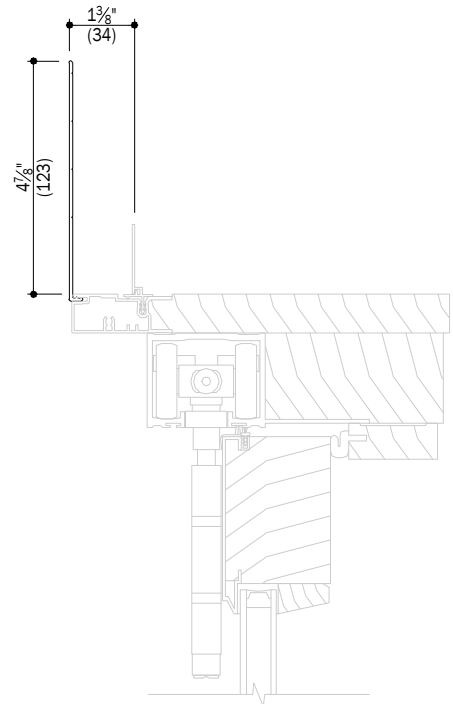
Date: 10/15/18
Scale: 3" (76) = 1' (305)

Big Doors

Folding Outswing Doors Contemporary Panel



A
5 2" Aluminum Clad Brickmould



C
5 5" Aluminum Clad Frame Expander

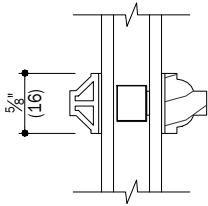
Notes:

Details have been optimized for use in architectural software and do not match manufacturing specifications. Dimensions in parentheses are in millimeters.

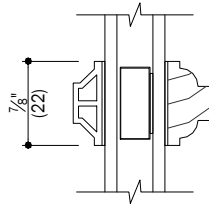
Date: 10/15/18
Scale: 3" (76) = 1' (305)

Big Doors

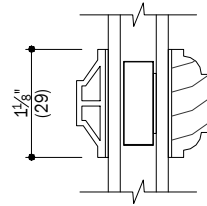
Folding Outswing Doors Contemporary Panel



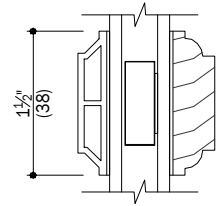
A
6
5/8" Int. Colonial, Ext. Chamfer
Full Divided Light



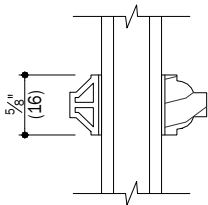
E
6
7/8" Int. Colonial, Ext. Chamfer
Full Divided Light



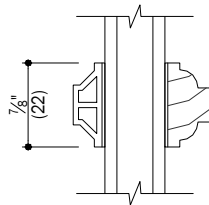
J
6
1 1/8" Int. Colonial, Ext. Chamfer
Full Divided Light



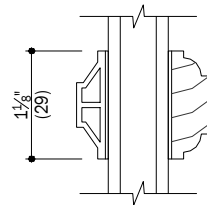
N
6
1 1/2" Int. Colonial, Ext. Chamfer
Full Divided Light



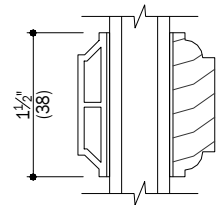
B
6
5/8" Int. Colonial, Ext. Chamfer
Simulated Divided Light
Available as exterior grille bar Only



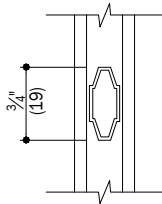
F
6
7/8" Int. Colonial, Ext. Chamfer
Simulated Divided Light
Available as exterior grille bar Only
Also available with removable interior



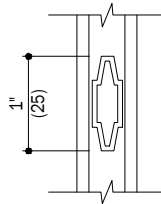
K
6
1 1/8" Int. Colonial, Ext. Chamfer
Simulated Divided Light
Available as exterior grille bar Only



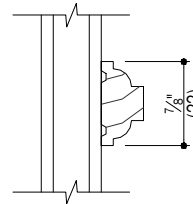
P
6
1 1/2" Int. Colonial, Ext. Chamfer
Simulated Divided Light
Available as exterior grille bar Only



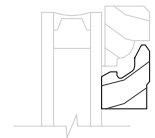
C
6
3/4" Finelight (Contoured)



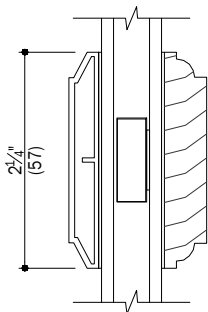
G
6
1" Finelight (Contoured)



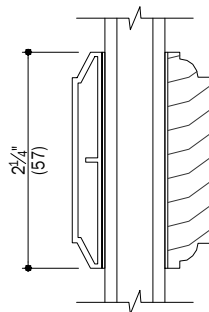
L
6
7/8" Colonial
Removable Interior Grille
For Both KD & Full Surround Grilles



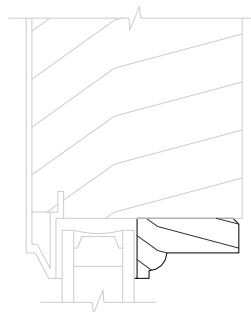
Q
6
Surround for Full Surround Grilles
Rectangle units only



D
6
2 1/4" Int. Colonial, Ext. Chamfer
Full Divided Light
Simulated check rail



H
6
2 1/4" Int. Colonial, Ext. Chamfer
Simulated Divided Light
Simulated check rail



M
6
Ovolo (Colonial) Interior Glazing Stop

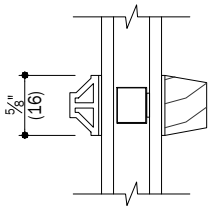
Notes:

Details have been optimized for use in architectural software and do not match manufacturing specifications. Dimensions in parentheses are in millimeters.

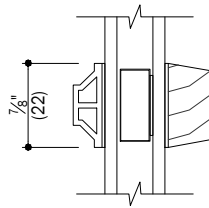
Date: 10/15/18
Scale: 3" (76) = 1' (305)

Big Doors

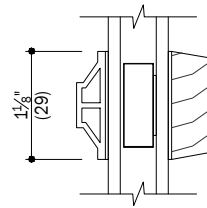
Folding Outswing Doors Contemporary Panel



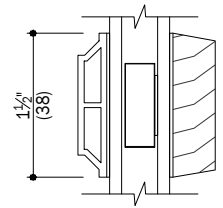
A
7
5/8" Int. Contemporary, Ext. Chamfer
Full Divided Light



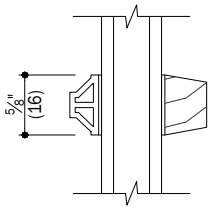
D
7
7/8" Int. Contemporary, Ext. Chamfer
Full Divided Light



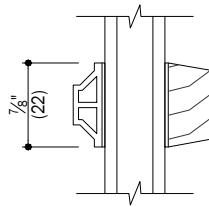
G
7
1 1/8" Int. Contemporary, Ext. Chamfer
Full Divided Light



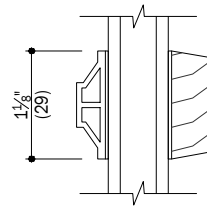
K
7
1 1/2" Int. Contemporary, Ext. Chamfer
Full Divided Light



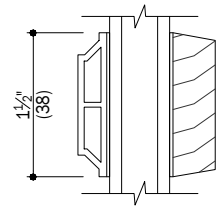
B
7
5/8" Int. Contemporary, Ext. Chamfer
Simulated Divided Light
Available as exterior grille bar Only



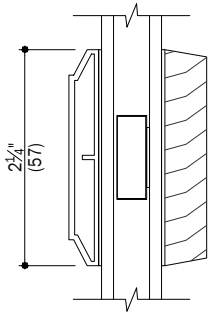
E
7
7/8" Int. Contemporary, Ext. Chamfer
Simulated Divided Light
Available as exterior grille bar Only



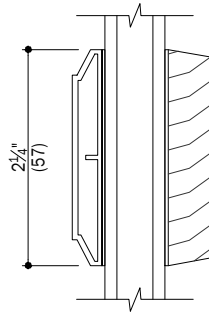
H
7
1 1/8" Int. Contemporary, Ext. Chamfer
Simulated Divided Light
Available as exterior grille bar Only



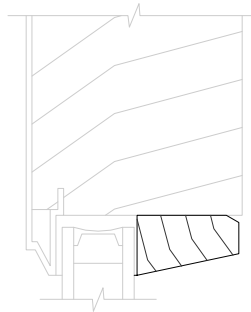
L
7
1 1/2" Int. Contemporary, Ext. Chamfer
Simulated Divided Light
Available as exterior grille bar Only



C
7
2 1/4" Int. Contemporary, Ext. Chamfer
Full Divided Light
Simulated check rail



F
7
2 1/4" Int. Contemporary, Ext. Chamfer
Simulated Divided Light
Simulated check rail



J
7
Contemporary Interior Glazing Stop

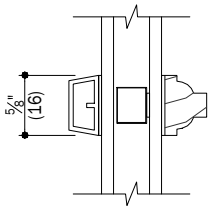
Notes:

Details have been optimized for use in architectural software and do not match manufacturing specifications. Dimensions in parentheses are in millimeters.

Date: 10/15/18
Scale: 3" (76) = 1' (305)

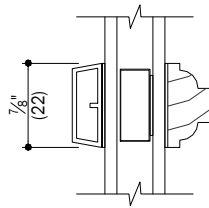
Big Doors

Folding Outswing Doors Contemporary Panel



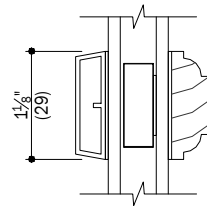
5/8" Int. Colonial, Ext. Contemporary
Full Divided Light

A
8



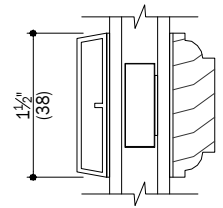
7/8" Int. Colonial, Ext. Contemporary
Full Divided Light

D
8



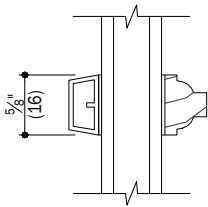
1 1/8" Int. Colonial, Ext. Contemporary
Full Divided Light

G
8



1 1/2" Int. Colonial, Ext. Contemporary
Full Divided Light

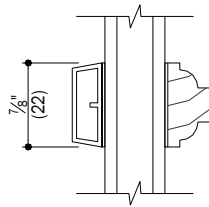
J
8



5/8" Int. Colonial, Ext. Contemporary
Simulated Divided Light

B
8

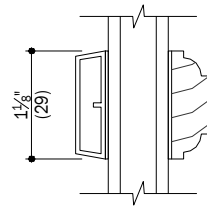
Available as exterior grille bar Only



7/8" Int. Colonial, Ext. Contemporary
Simulated Divided Light

E
8

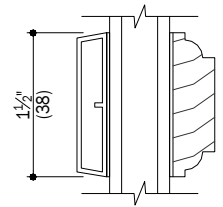
Available as exterior grille bar Only
Also available with removable interior



1 1/8" Int. Colonial, Ext. Contemporary
Simulated Divided Light

H
8

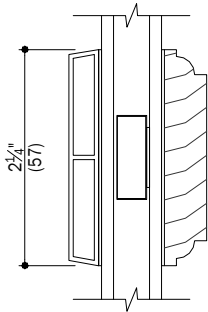
Available as exterior grille bar Only



1 1/2" Int. Colonial, Ext. Contemporary
Simulated Divided Light

K
8

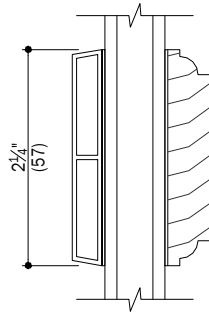
Available as exterior grille bar Only



2 1/4" Int. Colonial, Ext. Contemporary
Full Divided Light

C
8

Simulated check rail



2 1/4" Int. Colonial, Ext. Contemporary
Simulated Divided Light

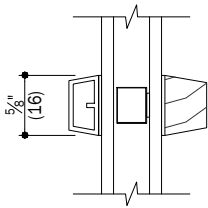
F
8

Simulated check rail

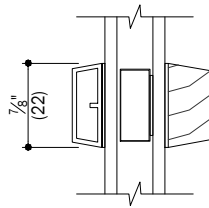
Notes:

Details have been optimized for use in architectural software and do not match manufacturing specifications.
Dimensions in parentheses are in millimeters.

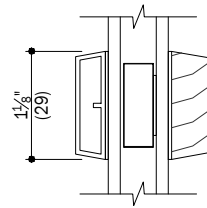
Date: 10/15/18
Scale: 3" (76) = 1' (305)



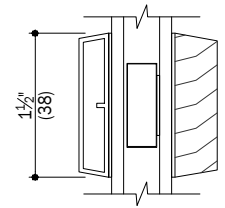
A
9 $\frac{5}{8}$ " Int. & Ext. Contemporary Full Divided Light



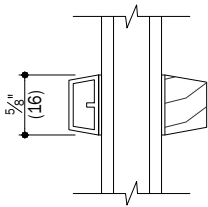
D
9 $\frac{7}{8}$ " Int. & Ext. Contemporary Full Divided Light



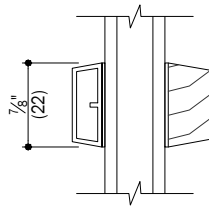
G
9 $1\frac{1}{8}$ " Int. & Ext. Contemporary Full Divided Light



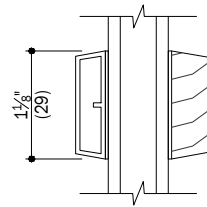
J
9 $1\frac{1}{2}$ " Int. & Ext. Contemporary Full Divided Light



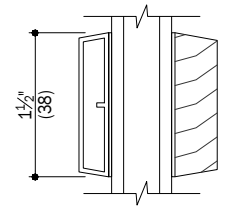
B
9 $\frac{5}{8}$ " Int. & Ext. Contemporary Simulated Divided Light
Available as exterior grille bar Only



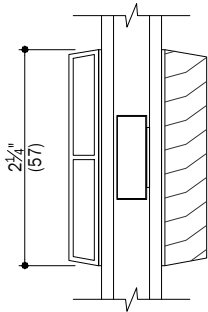
E
9 $\frac{7}{8}$ " Int. & Ext. Contemporary Simulated Divided Light
Available as exterior grille bar Only



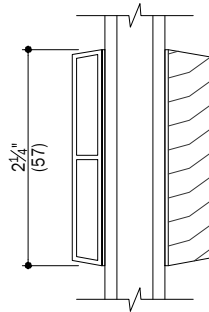
H
9 $1\frac{1}{8}$ " Int. & Ext. Contemporary Simulated Divided Light
Available as exterior grille bar Only



K
9 $1\frac{1}{2}$ " Int. & Ext. Contemporary Simulated Divided Light
Available as exterior grille bar Only



C
9 $2\frac{1}{4}$ " Int. & Ext. Contemporary Full Divided Light
Simulated check rail



F
9 $2\frac{1}{4}$ " Int. & Ext. Contemporary Simulated Divided Light
Simulated check rail

Notes:

Details have been optimized for use in architectural software and do not match manufacturing specifications. Dimensions in parentheses are in millimeters.

Date: 10/15/18
Scale: 3" (76) = 1' (305)