

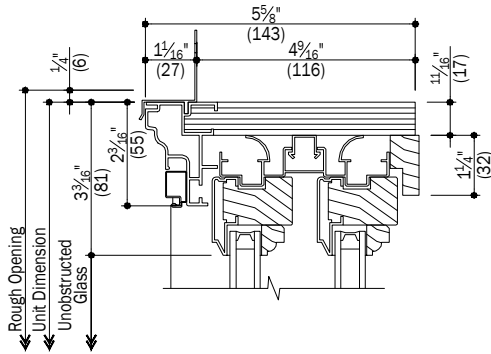
### Notes:

Details have been optimized for use in architectural software and do not match manufacturing specifications. Dimensions in parentheses are in millimeters.

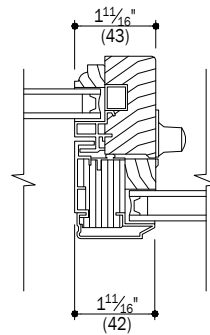
See Pages 3 Thru 10 for Options and Accessories

# E-Series

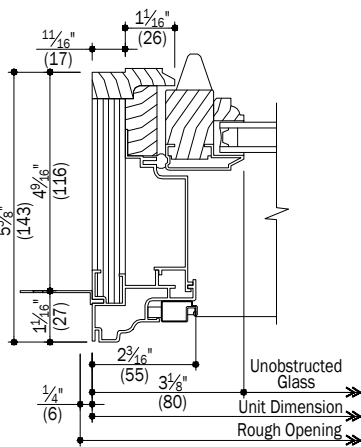
## Gliding Windows



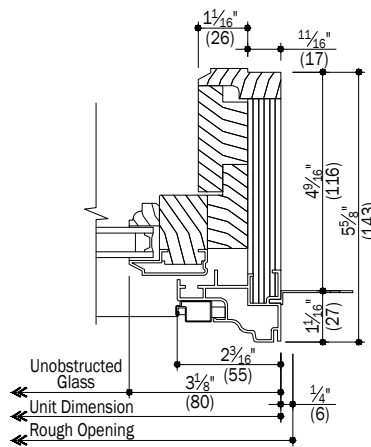
A Head



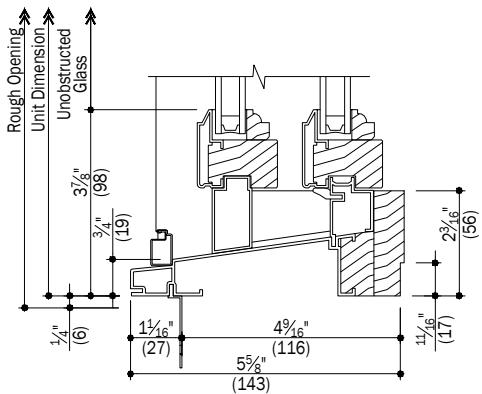
D Meeting Stile



B Jamb  
Lock Side



E Jamb  
Stationary Side

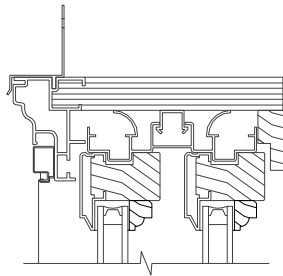


C Sill

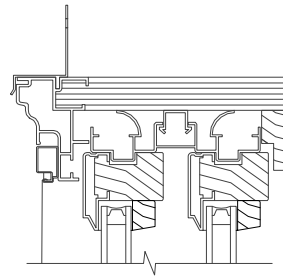
### Notes:

Details have been optimized for use in architectural software and do not match manufacturing specifications. Dimensions in parentheses are in millimeters.

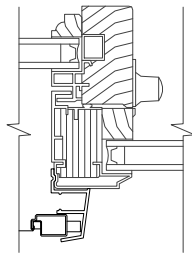
See Pages 3 Thru 10 for Options and Accessories



**A**  
3 Colonial Glazing Stop



**C**  
3 Contemporary Glazing Stop



**B**  
3 Half Screen Retainer

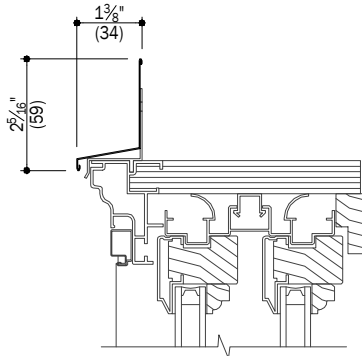
### Notes:

Details have been optimized for use in architectural software and do not match manufacturing specifications. Dimensions in parentheses are in millimeters.

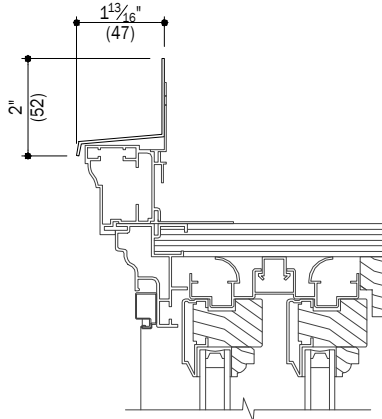
Date: 02/06/18  
Scale: 3" (76) = 1' (305)

# E-Series

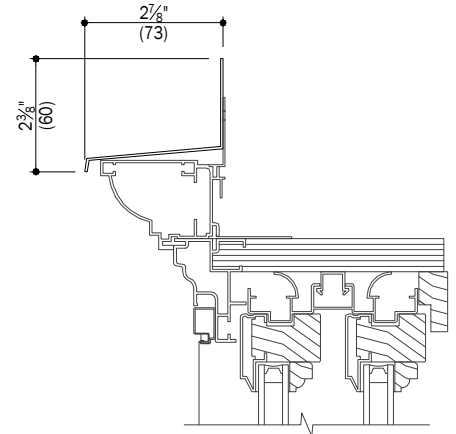
## Gliding Windows



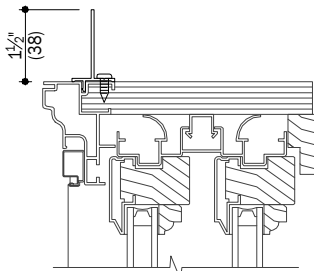
**A**  
4 Roll Form Drip Cap



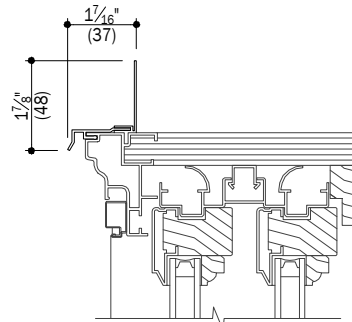
**D**  
4 Brick Mould Drip Cap



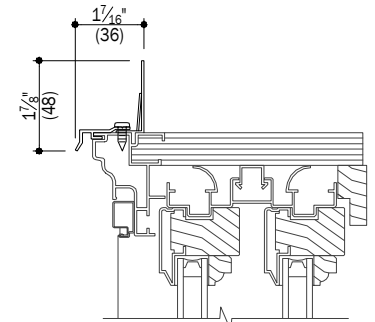
**G**  
4 Casing Drip Cap



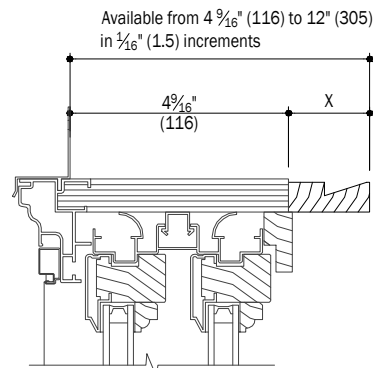
**B**  
4 Aluminum Installation Flange



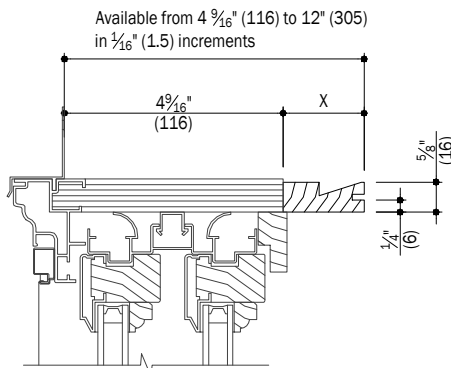
**E**  
4 Extended Drip Cap



**H**  
4 Radius Nail Fin & Drip Cap



**C**  
4 Extension Jamb



**F**  
4 Extension Jamb with Kerf

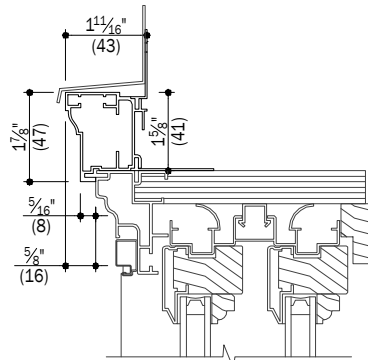
### Notes:

Details have been optimized for use in architectural software and do not match manufacturing specifications. Dimensions in parentheses are in millimeters.

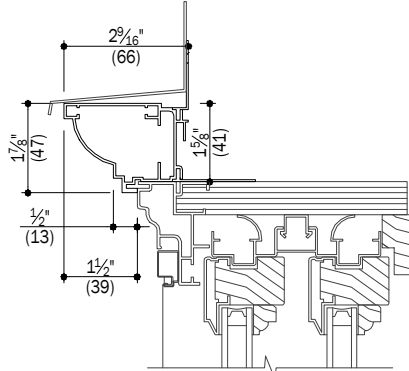
Date: 02/06/18  
Scale: 3" (76) = 1' (305)

# E-Series

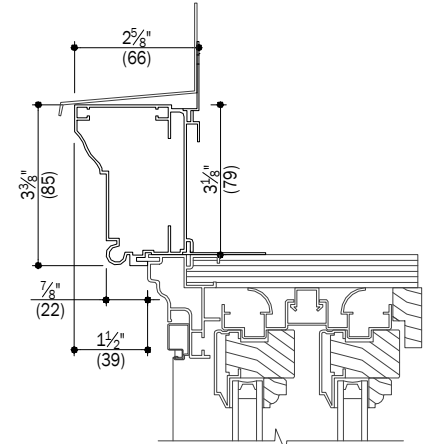
## Gliding Windows



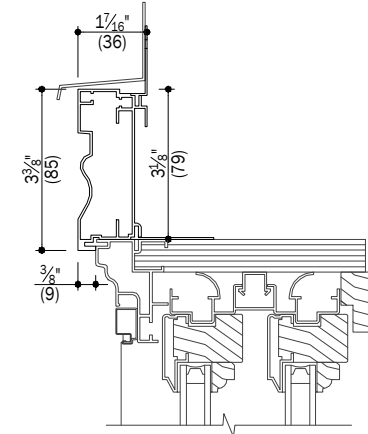
**A**  
5 2" Brick Mould (A753)



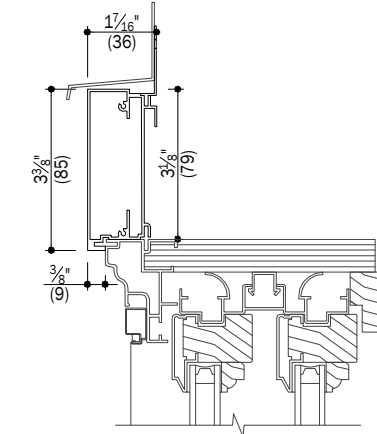
**D**  
5 2" Ovolo Brick Mould (A754)



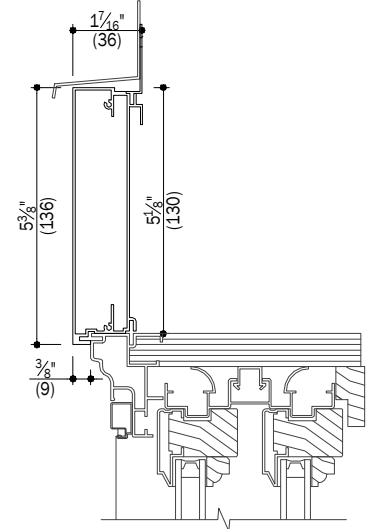
**G**  
5 3 1/2" Brick Mould (A755)



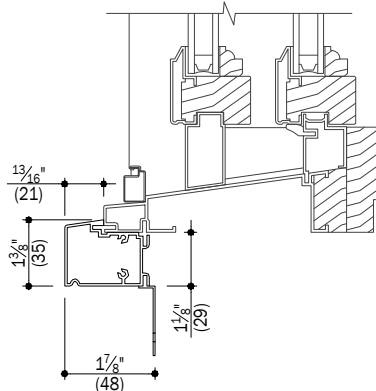
**B**  
5 3 1/2" Backband & Bead Casing (A756)



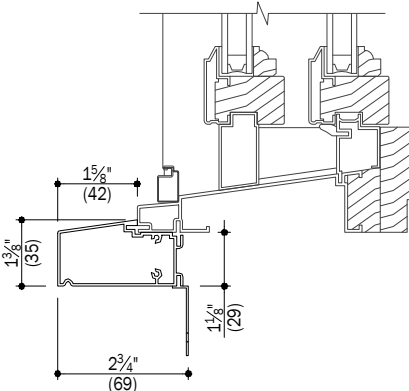
**E**  
5 3 1/2" Flat Casing (A75B)



**H**  
5 5 1/2" Flat Casing (A758)



**C**  
5 1 1/2" Sill Nosing (A751)



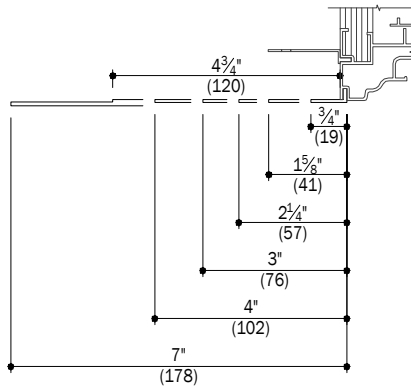
**F**  
5 1 1/2" Deep Sill Nosing (A752)

### Notes:

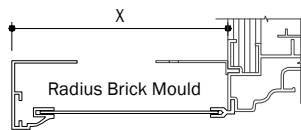
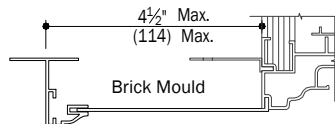
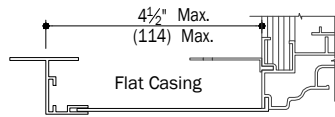
Details have been optimized for use in architectural software and do not match manufacturing specifications. Dimensions in parentheses are in millimeters.

# E-Series

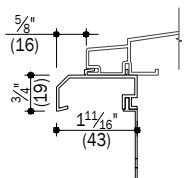
## Gliding Windows



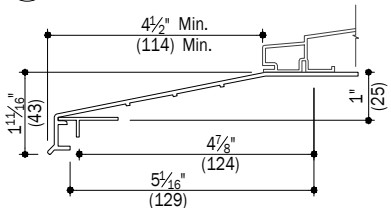
**A**  
6 Frame Expanders  
Sizes: 3/4", 1 5/8", 2 1/4", 3", 4", 7"



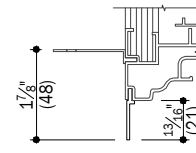
**B**  
6 Expandable Exterior Casings



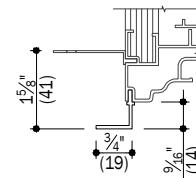
**C**  
6 Expandable Exterior Casing Sill Nosing



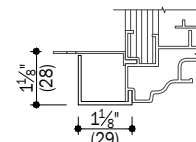
**D**  
6 Extruded Sub-Sill



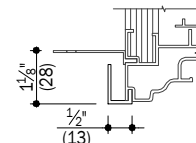
**E**  
6 3/4" Frame Extender



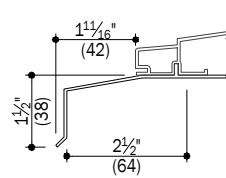
**F**  
6 3/4" Frame Enclosure



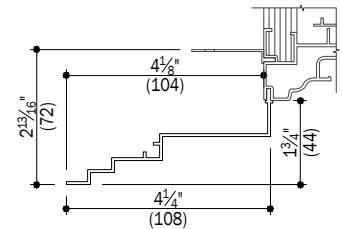
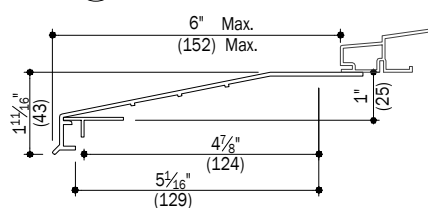
**G**  
6 90° Angle Closure



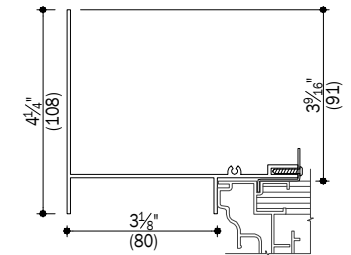
**H**  
6 Expander Return



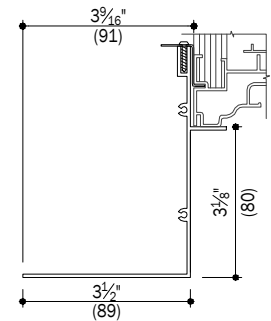
**J**  
6 Alternate Sub-Sill



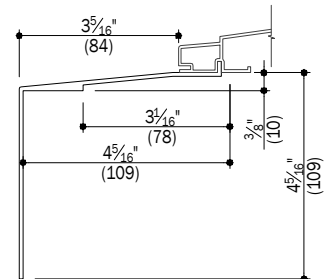
**K**  
6 Historical Panning



**L**  
6 Sub-Frame Shell Head



**M**  
6 Sub-Frame Shell Jamb



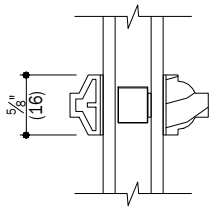
**N**  
6 Sub-Frame Shell Sill

### Notes:

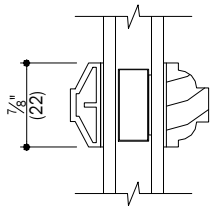
Details have been optimized for use in architectural software and do not match manufacturing specifications. Dimensions in parentheses are in millimeters.

# E-Series

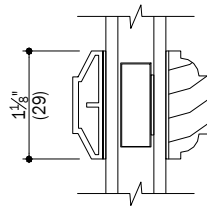
## Gliding Windows



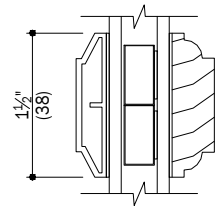
**A**  
7 5/8" Int. Colonial, Ext. Chamfer  
Full Divided Light



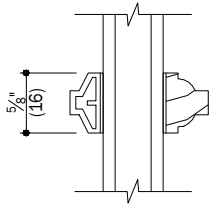
**E**  
7 7/8" Int. Colonial, Ext. Chamfer  
Full Divided Light



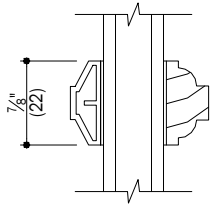
**J**  
7 1 1/8" Int. Colonial, Ext. Chamfer  
Full Divided Light



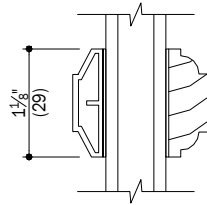
**M**  
7 1 1/2" Int. Colonial, Ext. Chamfer  
Full Divided Light



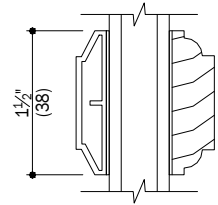
**B**  
7 5/8" Int. Colonial, Ext. Chamfer  
Simulated Divided Light  
Available as exterior grille bar Only



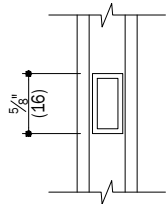
**F**  
7 7/8" Int. Colonial, Ext. Chamfer  
Simulated Divided Light  
Available as exterior grille bar Only  
Also available with removable interior



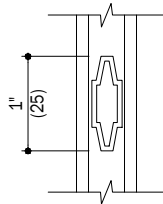
**K**  
7 1 1/8" Int. Colonial, Ext. Chamfer  
Simulated Divided Light  
Available as exterior grille bar Only



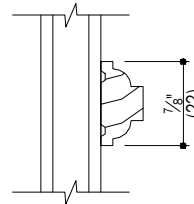
**N**  
7 1 1/2" Int. Colonial, Ext. Chamfer  
Simulated Divided Light  
Available as exterior grille bar Only



**C**  
7 5/8" Finelight (Flat)



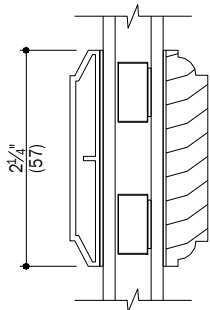
**G**  
7 1" Finelight (Contoured)



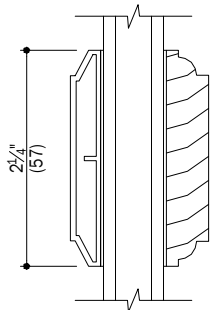
**L**  
7 7/8" Colonial  
Removable Interior Grille  
For Both KD & Full Surround Grilles



**P**  
7 Surround for Full Surround Grilles



**D**  
7 2 1/4" Int. Colonial, Ext. Chamfer  
Full Divided Light  
Simulated check rail



**H**  
7 2 1/4" Int. Colonial, Ext. Chamfer  
Simulated Divided Light  
Simulated check rail

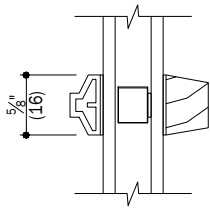
### Notes:

Details have been optimized for use in architectural software and do not match manufacturing specifications. Dimensions in parentheses are in millimeters.

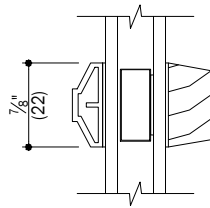
Date: 02/06/18  
Scale: 6" (152) = 1' (305)

# E-Series

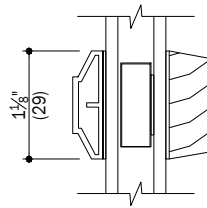
## Gliding Windows



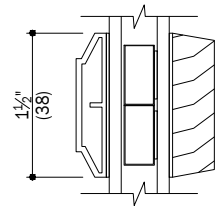
**A**  
8 5/8" Int. Contemporary, Ext. Chamfer Full Divided Light



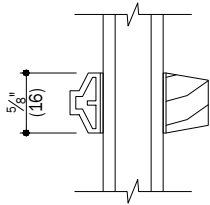
**D**  
8 7/8" Int. Contemporary, Ext. Chamfer Full Divided Light



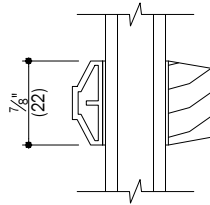
**G**  
8 1 1/8" Int. Contemporary, Ext. Chamfer Full Divided Light



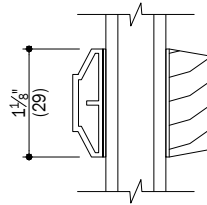
**J**  
8 1 1/2" Int. Contemporary, Ext. Chamfer Full Divided Light



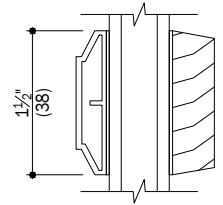
**B**  
8 5/8" Int. Contemporary, Ext. Chamfer Simulated Divided Light  
Available as exterior grille bar Only



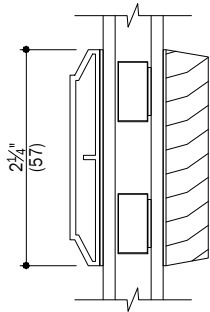
**E**  
8 7/8" Int. Contemporary, Ext. Chamfer Simulated Divided Light  
Available as exterior grille bar Only



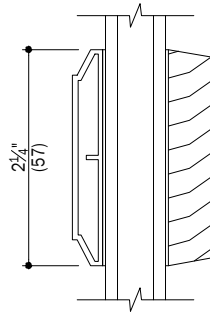
**H**  
8 1 1/8" Int. Contemporary, Ext. Chamfer Simulated Divided Light  
Available as exterior grille bar Only



**K**  
8 1 1/2" Int. Contemporary, Ext. Chamfer Simulated Divided Light  
Available as exterior grille bar Only



**C**  
8 2 1/4" Int. Contemporary, Ext. Chamfer Full Divided Light  
Simulated check rail



**F**  
8 2 1/4" Int. Contemporary, Ext. Chamfer Simulated Divided Light  
Simulated check rail

### Notes:

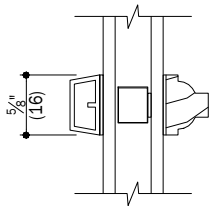
Details have been optimized for use in architectural software and do not match manufacturing specifications. Dimensions in parentheses are in millimeters.

Date: 02/06/18  
Scale: 6" (152) = 1' (305)

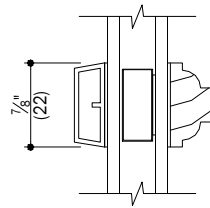


# E-Series

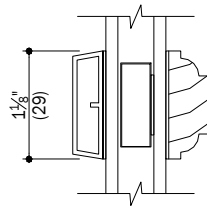
## Gliding Windows



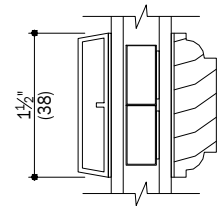
**A**  
9  $\frac{5}{8}$ " Int. Colonial, Ext. Contemporary  
Full Divided Light



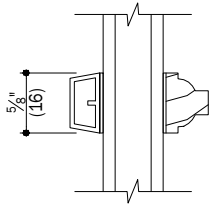
**D**  
9  $\frac{7}{8}$ " Int. Colonial, Ext. Contemporary  
Full Divided Light



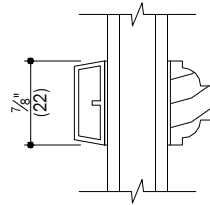
**G**  
9  $1\frac{1}{8}$ " Int. Colonial, Ext. Contemporary  
Full Divided Light



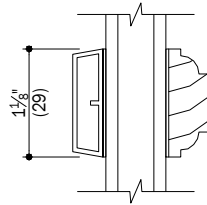
**J**  
9  $1\frac{1}{2}$ " Int. Colonial, Ext. Contemporary  
Full Divided Light



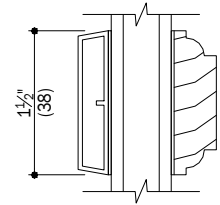
**B**  
9  $\frac{5}{8}$ " Int. Colonial, Ext. Contemporary  
Simulated Divided Light  
Available as exterior grille bar Only



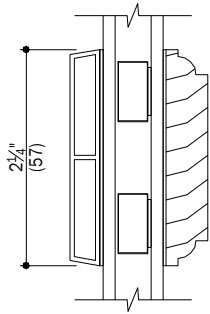
**E**  
9  $\frac{7}{8}$ " Int. Colonial, Ext. Contemporary  
Simulated Divided Light  
Available as exterior grille bar Only  
Also available with removable interior



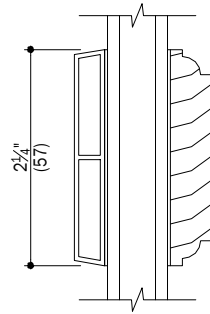
**H**  
9  $1\frac{1}{8}$ " Int. Colonial, Ext. Contemporary  
Simulated Divided Light  
Available as exterior grille bar Only



**K**  
9  $1\frac{1}{2}$ " Int. Colonial, Ext. Contemporary  
Simulated Divided Light  
Available as exterior grille bar Only



**C**  
9  $2\frac{1}{4}$ " Int. Colonial, Ext. Contemporary  
Full Divided Light  
Simulated check rail



**F**  
9  $2\frac{1}{4}$ " Int. Colonial, Ext. Contemporary  
Simulated Divided Light  
Simulated check rail

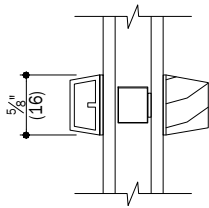
### Notes:

Details have been optimized for use in architectural software and do not match manufacturing specifications. Dimensions in parentheses are in millimeters.

Date: 02/06/18  
Scale: 6" (152) = 1' (305)

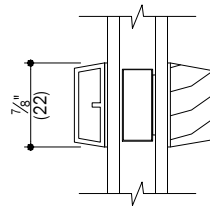
# E-Series

## Gliding Windows



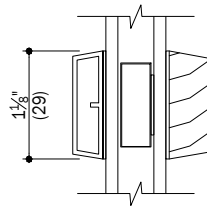
5/8" Int. & Ext. Contemporary  
Full Divided Light

A  
10



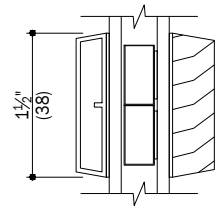
7/8" Int. & Ext. Contemporary  
Full Divided Light

D  
10



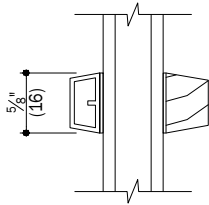
1 1/8" Int. & Ext. Contemporary  
Full Divided Light

G  
10



1 1/2" Int. & Ext. Contemporary  
Full Divided Light

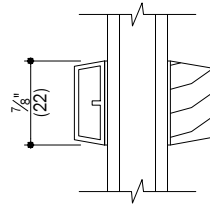
J  
10



5/8" Int. & Ext. Contemporary  
Simulated Divided Light

B  
10

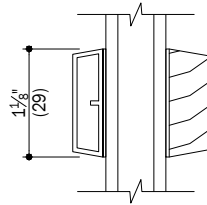
Available as exterior grille bar Only



7/8" Int. & Ext. Contemporary  
Simulated Divided Light

E  
10

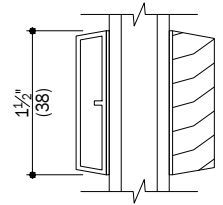
Available as exterior grille bar Only



1 1/8" Int. & Ext. Contemporary  
Simulated Divided Light

H  
10

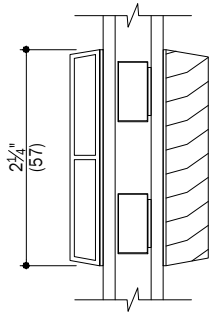
Available as exterior grille bar Only



1 1/2" Int. & Ext. Contemporary  
Simulated Divided Light

K  
10

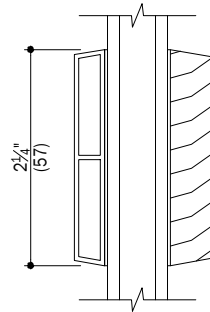
Available as exterior grille bar Only



2 1/4" Int. & Ext. Contemporary  
Full Divided Light

C  
10

Simulated check rail



2 1/4" Int. & Ext. Contemporary  
Simulated Divided Light

F  
10

Simulated check rail

### Notes:

Details have been optimized for use in architectural software and do not match manufacturing specifications. Dimensions in parentheses are in millimeters.

Date: 02/06/18  
Scale: 6" (152) = 1' (305)