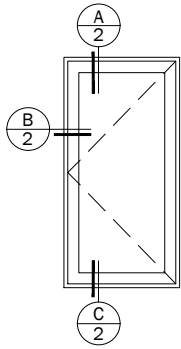
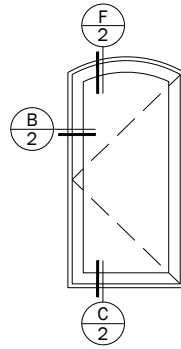


Complementary Products

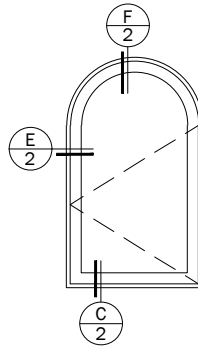
Casement Windows



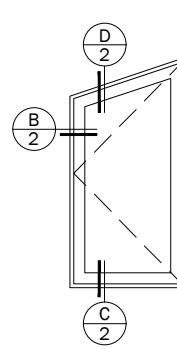
Casement



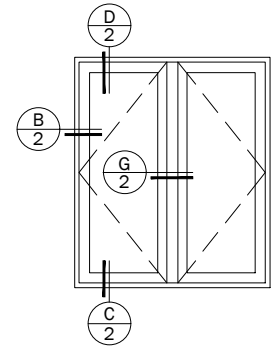
Casement Archtop



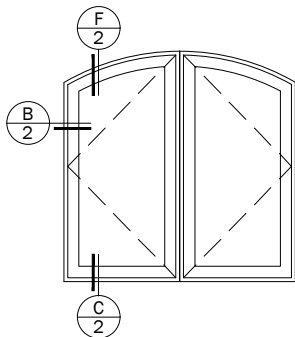
Casement Springline



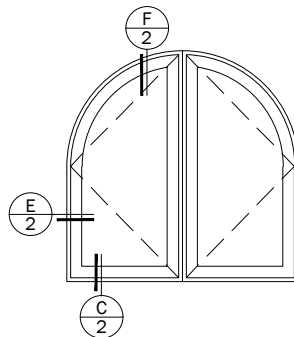
Casement Trapezoid



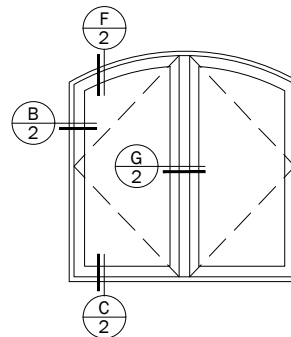
French Casement



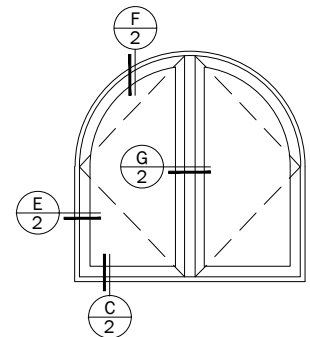
Casement Twin Archtop



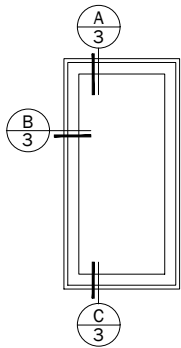
Casement Twin Springline



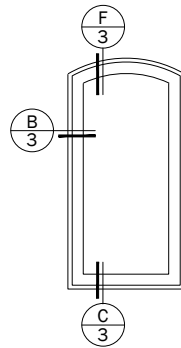
French Casement Archtop



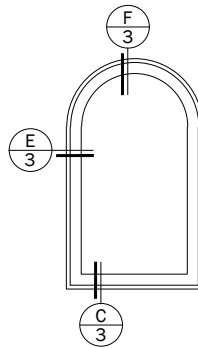
French Casement Springline



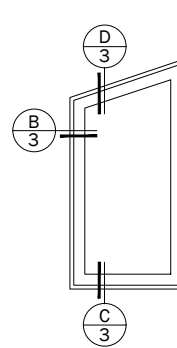
Stationary
Casement



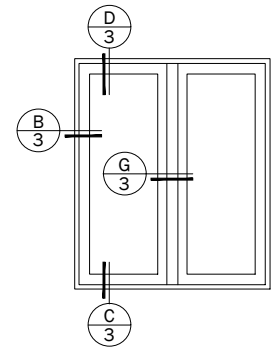
Stationary
Casement Archtop



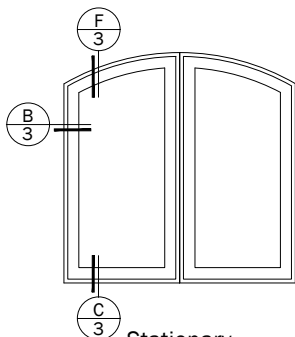
Stationary
Casement Springline



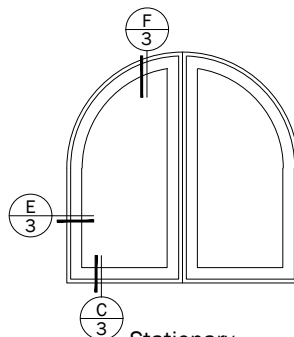
Stationary
Casement Trapezoid



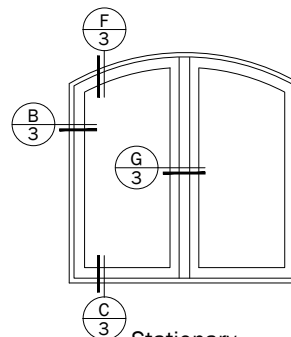
Stationary
French Casement



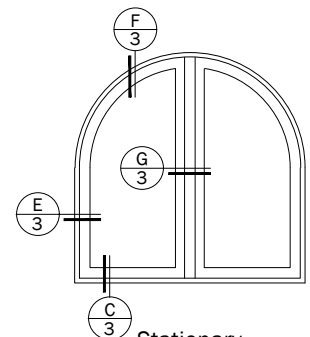
Stationary
Casement Twin Archtop



Stationary
Casement Twin Springline



Stationary
French Casement Archtop



Stationary
French Casement Springline

Notes:

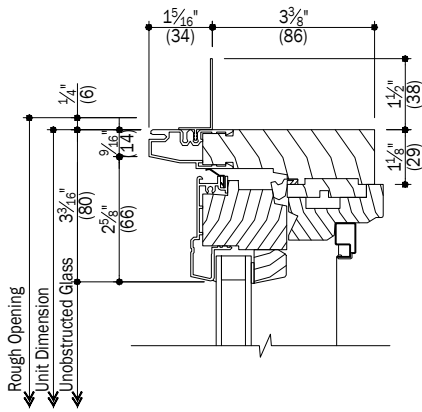
Details have been optimized for use in architectural software and do not match manufacturing specifications. Dimensions in parentheses are in millimeters.

See Pages 4-5 for Accessories

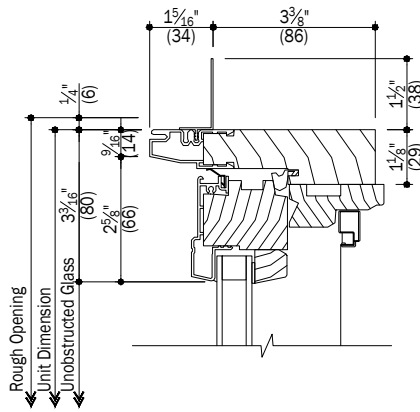
Date: 06/07/19
Scale: None

Complementary Products

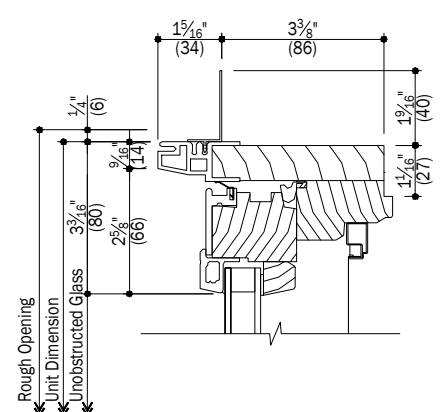
Casement Windows



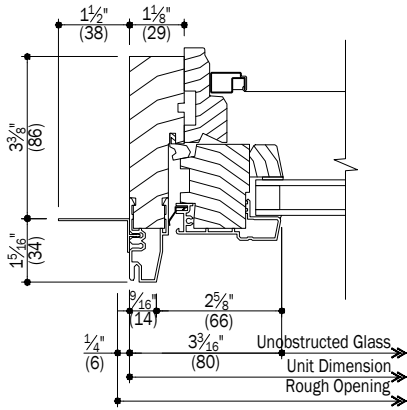
A Head
2 Operating



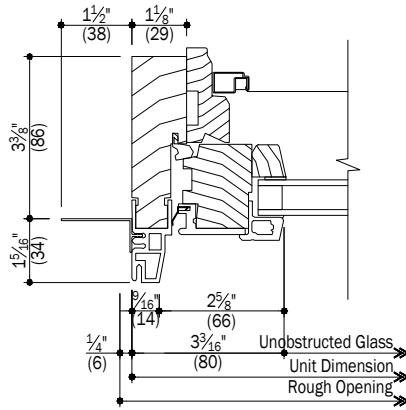
D Head
2 Operating



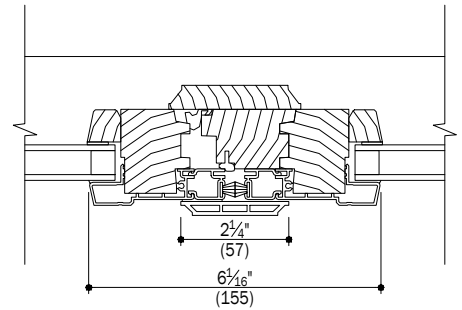
F Head
2 Operating



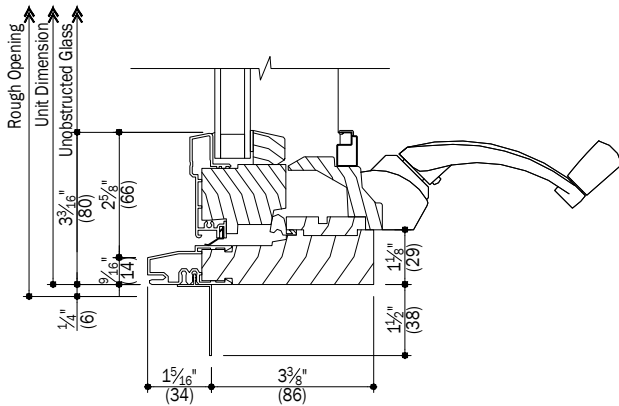
B Jamb
2 Operating



E Jamb
2 Operating



G Astragal
2 Operating



C Sill
2 Operating

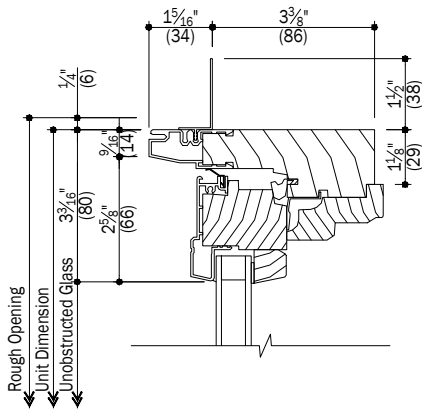
Notes:

Details have been optimized for use in architectural software and do not match manufacturing specifications. Dimensions in parentheses are in millimeters.

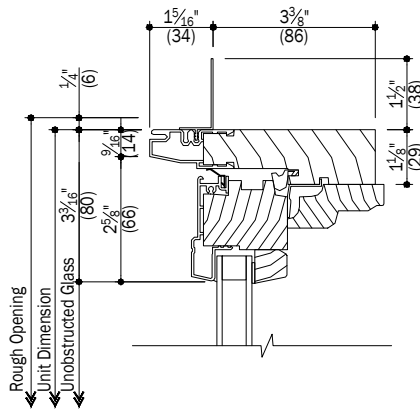
See Pages 4-6 for Accessories

Complementary Products

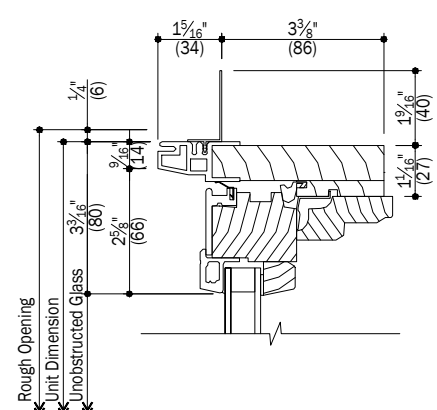
Casement Windows



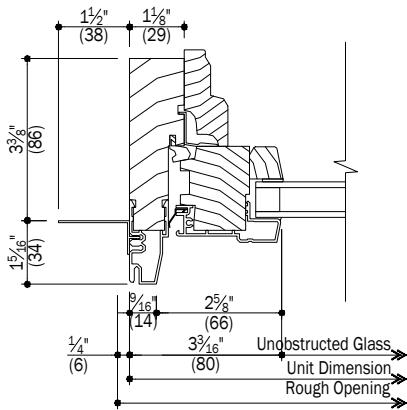
A Head
3 Stationary



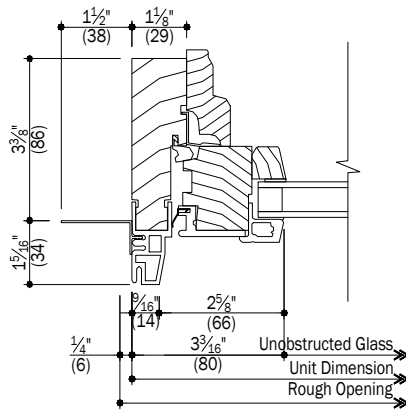
D Head
3 Stationary



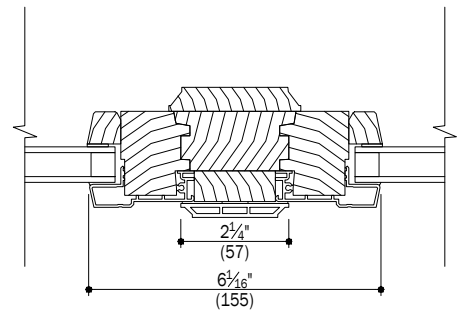
F Head
3 Stationary



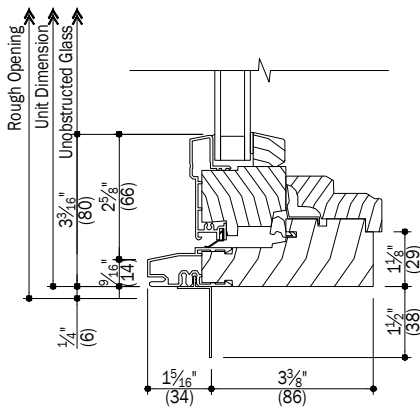
B Jamb
3 Stationary



E Jamb
3 Stationary



G Astragal
3 Operating



C Sill
3 Stationary

Notes:

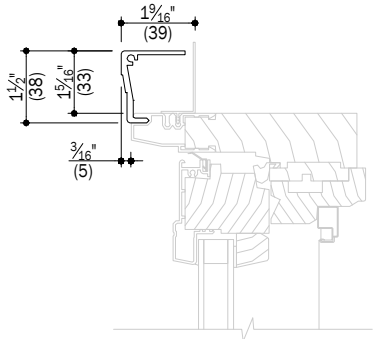
Details have been optimized for use in architectural software and do not match manufacturing specifications. Dimensions in parentheses are in millimeters.

See Pages 4-6 for Accessories

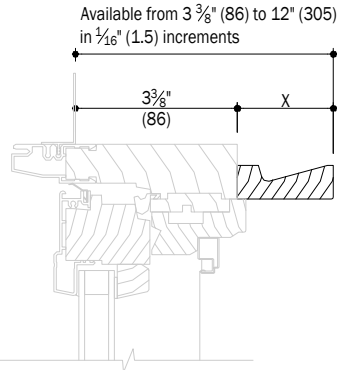
Date: 06/07/19
Scale: 3" (76) = 1' (305)

Complementary Products

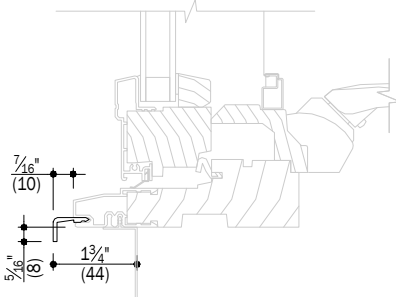
Casement Windows



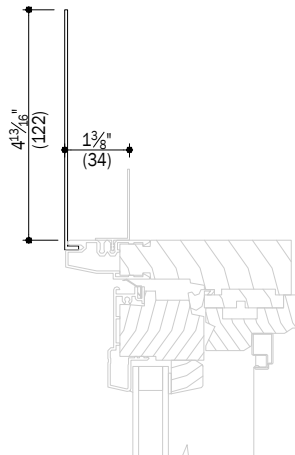
A
4 Aluminum Clad Brickmould



C
4 Extention Jamb



B
4 Aluminum Sillnose



D
4 5" Aluminum Clad Frame Expander

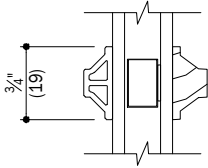
Notes:

Details have been optimized for use in architectural software and do not match manufacturing specifications. Dimensions in parentheses are in millimeters.

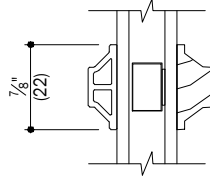
Date: 06/07/19
Scale: 3" (76) = 1' (305)

Complementary Products

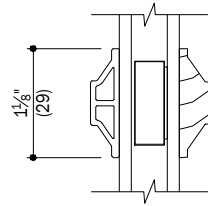
Casement Windows



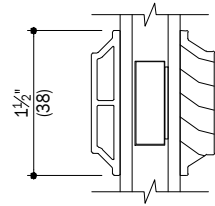
A
5 3/4" Full Divided Light



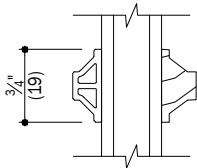
E
5 7/8" Full Divided Light



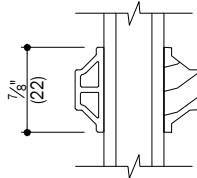
J
5 1 1/8" Full Divided Light



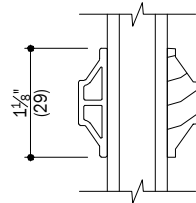
N
5 1 1/2" Full Divided Light



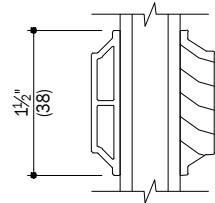
B
5 3/4" Simulated Divided Light
Removable interior is available



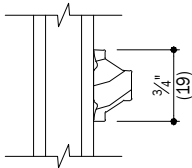
F
5 7/8" Simulated Divided Light
Removable interior is available



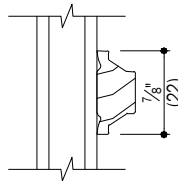
K
5 1 1/8" Simulated Divided Light
Removable interior is available



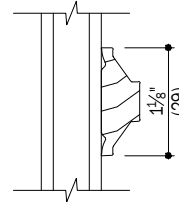
P
5 1 1/2" Simulated Divided Light



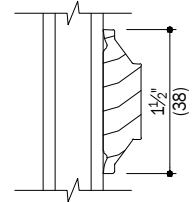
C
5 3/4" Removable Interior Grille



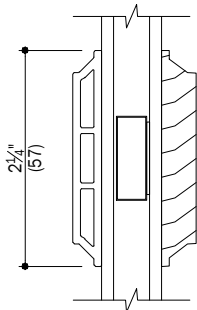
G
5 7/8" Removable Interior Grille



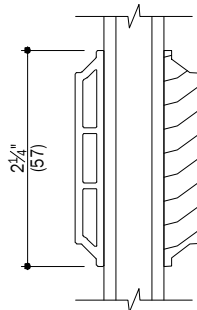
L
5 1 1/8" Removable Interior Grille



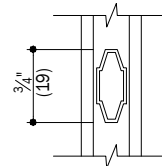
Q
5 1 1/2" Removable Interior Grille



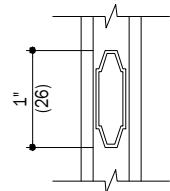
D
5 2 1/4" Full Divided Light
Simulated check rail



H
5 2 1/4" Simulated Divided Light
Simulated check rail



M
5 3/4" Finelight



R
5 1" Finelight

Notes:

Details have been optimized for use in architectural software and do not match manufacturing specifications. Dimensions in parentheses are in millimeters.

Date: 06/07/19
Scale: 6" (76) = 1' (305)