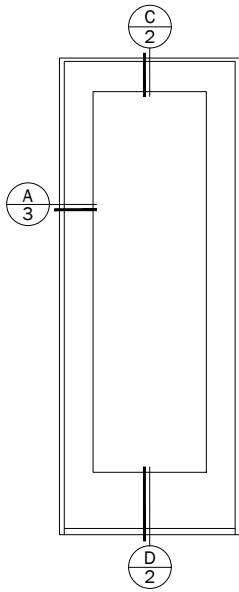
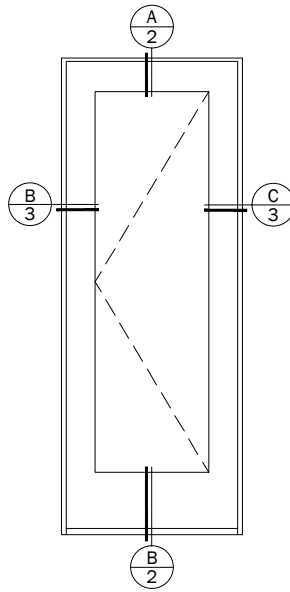


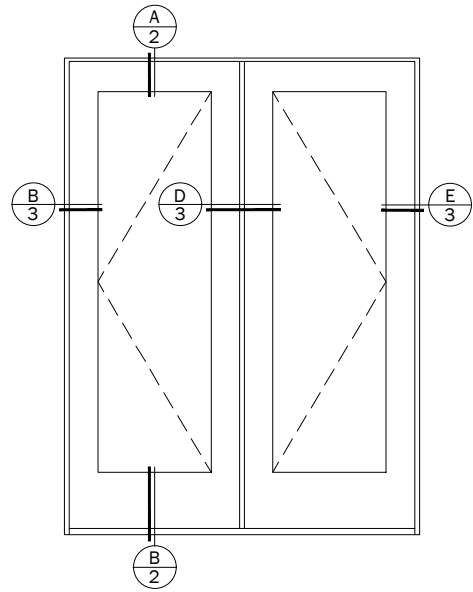
Frenchwood® Hinged Outswing Patio Doors



FW Hinged Outswing
 Patio Door - Stationary



FW Hinged Outswing
 Patio Door - 1 Panel



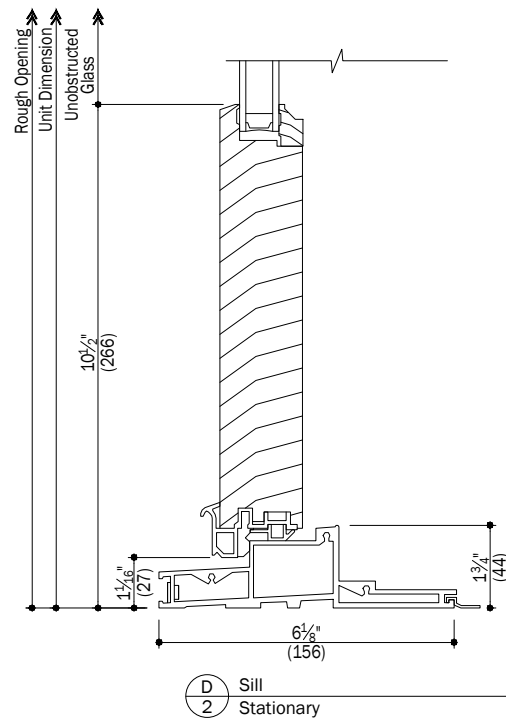
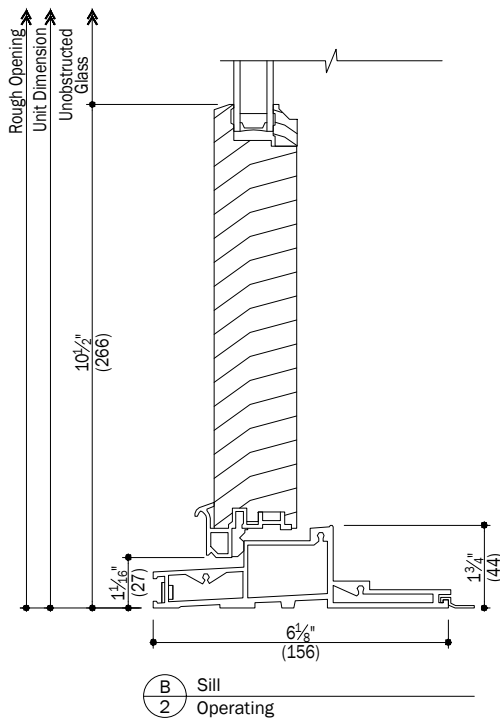
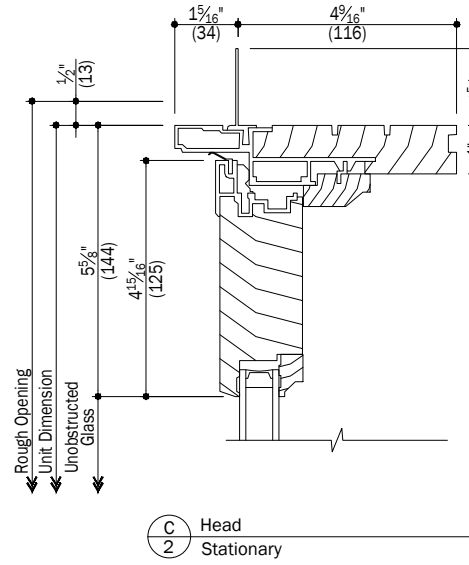
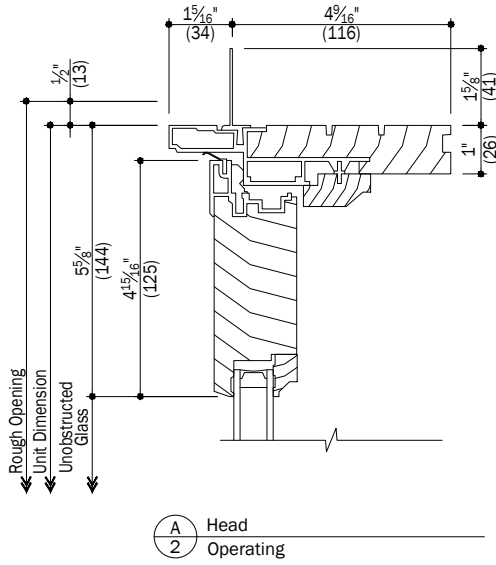
FW Hinged Outswing
 Patio Door - 2 Panel

Notes:

Details have been optimized for use in architectural software and do not match manufacturing specifications.
 Dimensions in parentheses are in millimeters.

See Pages 4 Thru 7 for Accessories

Date: 03/29/16
 Scale: None



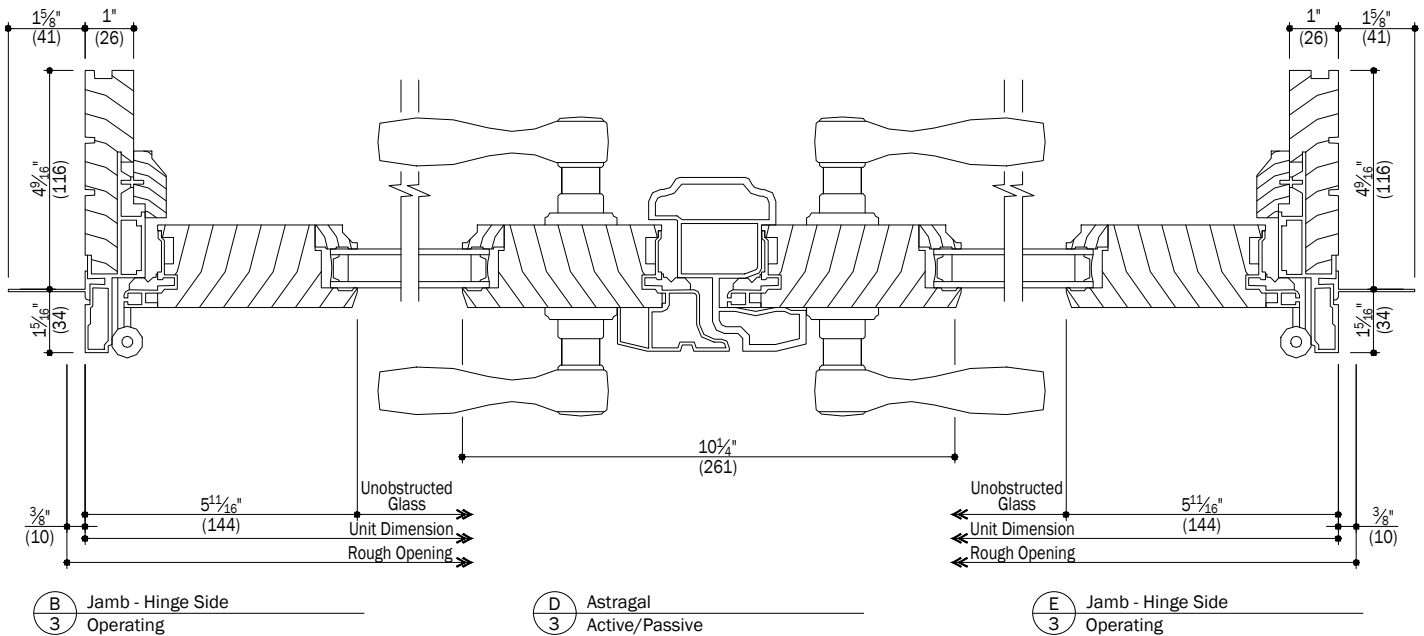
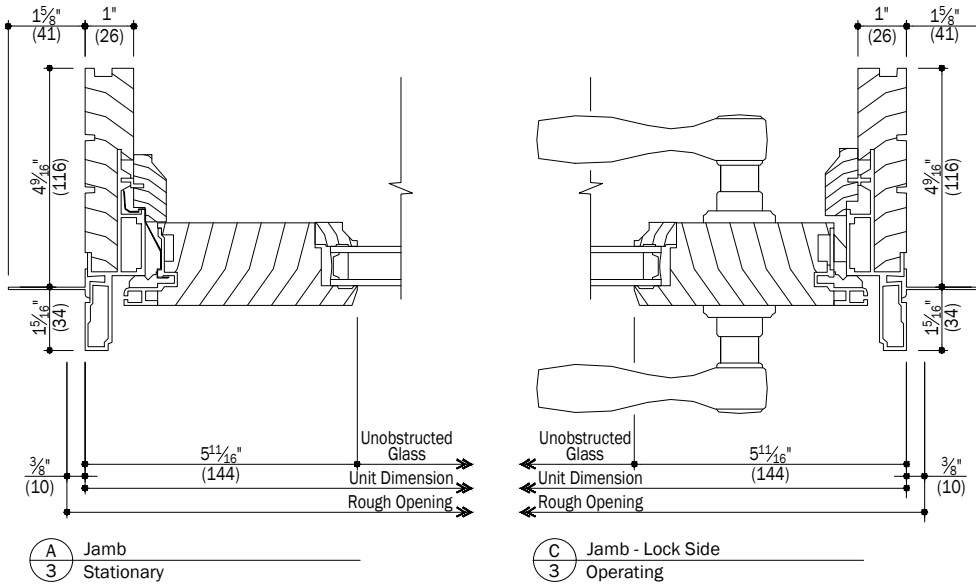
Notes:

Details have been optimized for use in architectural software and do not match manufacturing specifications. Dimensions in parentheses are in millimeters.

See Pages 4 Thru 7 for Accessories

A-Series

Frenchwood® Hinged Outswing Patio Doors



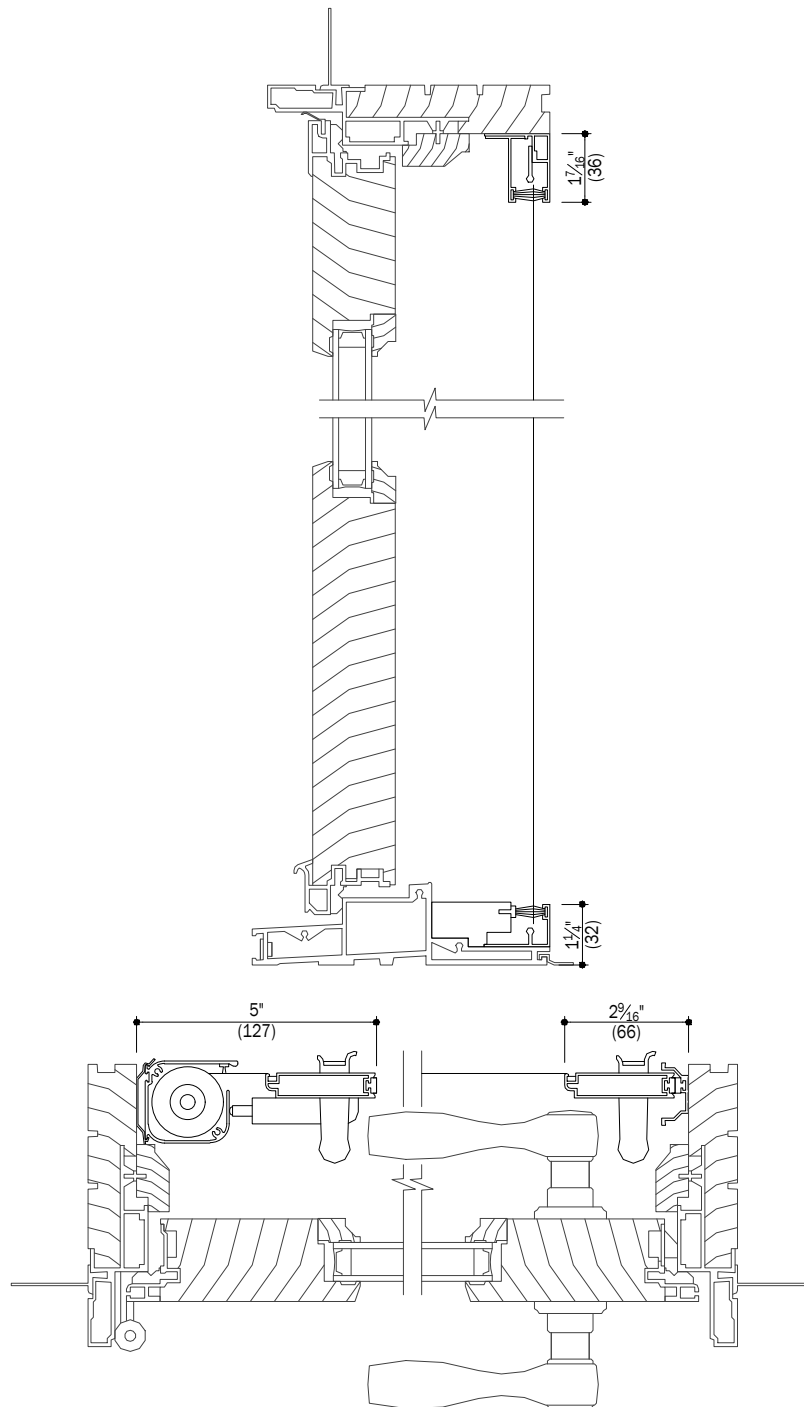
Notes:

Details have been optimized for use in architectural software and do not match manufacturing specifications. Dimensions in parentheses are in millimeters.

See Pages 4 Thru 7 for Accessories

Date: 03/29/16
Scale: 3" (76) = 1' (305)

Frenchwood® Hinged Outswing Patio Doors
 Accessories



A Retractable Insect Screen
 4

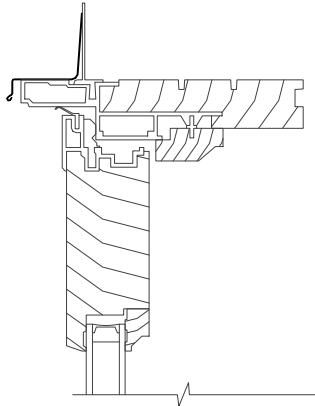
Notes:

Details have been optimized for use in architectural software and do not match manufacturing specifications.
 Dimensions in parentheses are in millimeters.

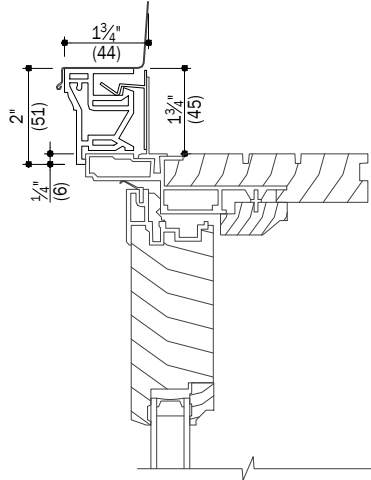
Date: 03/29/16
 Scale: 3" (76) = 1' (305)

A-Series

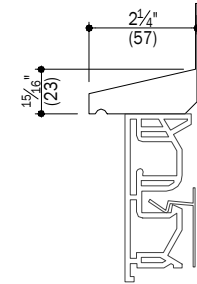
Frenchwood® Hinged Outswing Patio Doors Accessories



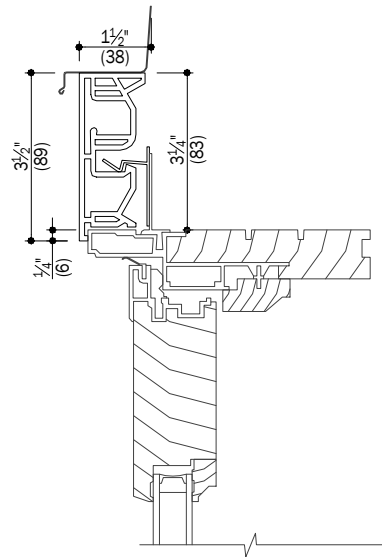
A
5 Drip Cap



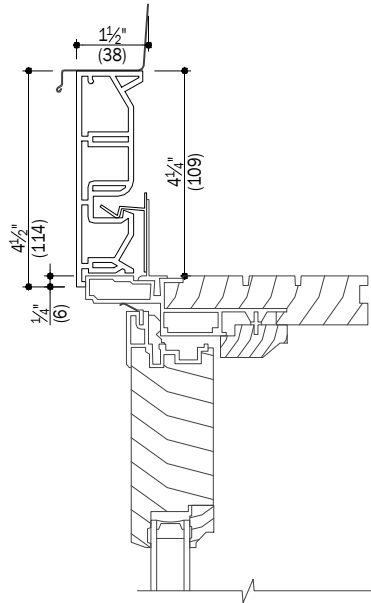
C
5 2" Brick Mould



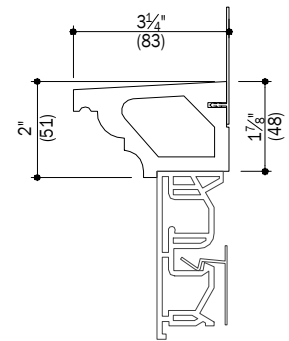
E
5 Decorative Drip Cap



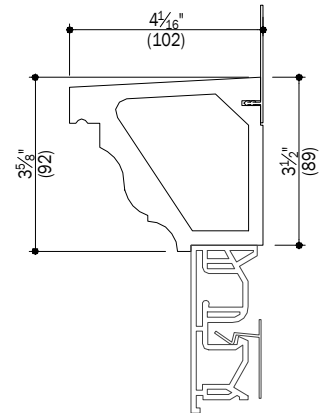
B
5 3 1/2" Flat Casing



D
5 4 1/2" Flat Casing



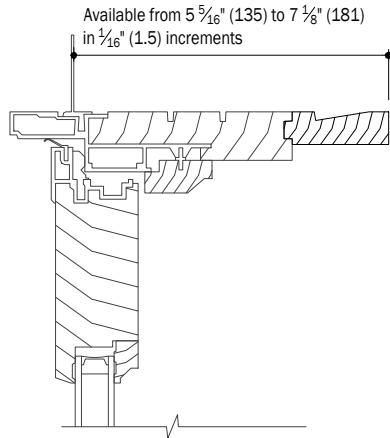
F
5 2" Cornice



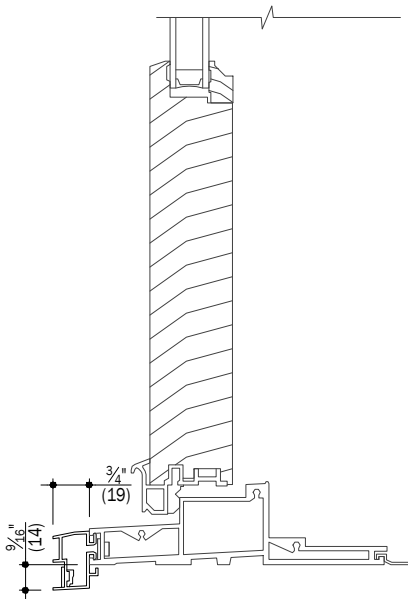
G
5 3 5/8" Cornice

Notes:

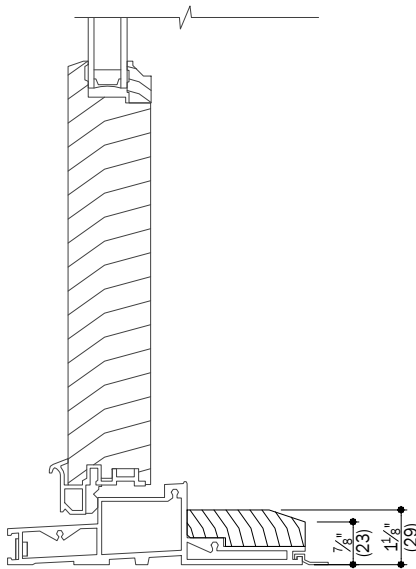
Details have been optimized for use in architectural software and do not match manufacturing specifications. Dimensions in parentheses are in millimeters.



A
6 Extension Jamb



B
6 Drop-Nose Channel
Performance Grade (PG) Upgrade



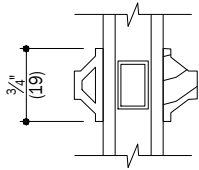
C
6 Sill Step

Notes:

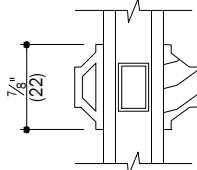
Details have been optimized for use in architectural software and do not match manufacturing specifications. Dimensions in parentheses are in millimeters.

A-Series

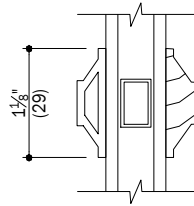
Frenchwood® Hinged Outswing Patio Doors Accessories



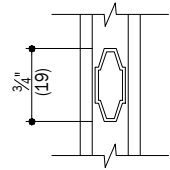
A
7 3/4" Full Divided Light



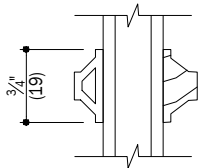
E
7 7/8" Full Divided Light



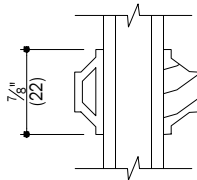
J
7 1 1/8" Full Divided Light



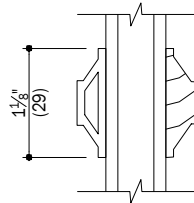
M
7 3/4" Finelight



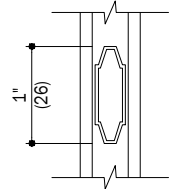
B
7 3/4" Simulated Divided Light
Removable interior is available



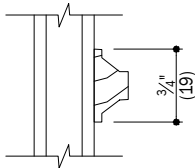
F
7 7/8" Simulated Divided Light
Removable interior is available



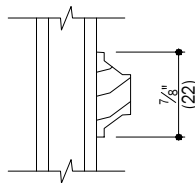
K
7 1 1/8" Simulated Divided Light
Removable interior is available



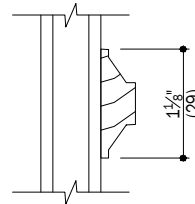
N
7 1" Finelight



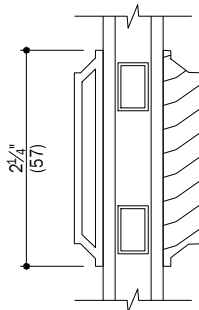
C
7 3/4" Removable Interior Grille



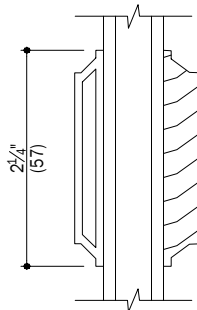
G
7 7/8" Removable Interior Grille



L
7 1 1/8" Removable Interior Grille



D
7 2 1/4" Full Divided Light
Simulated check rail



H
7 2 1/4" Simulated Divided Light
Simulated check rail

Notes:

Details have been optimized for use in architectural software and do not match manufacturing specifications. Dimensions in parentheses are in millimeters.

Date: 03/29/16
Scale: 3" (76) = 1' (305)