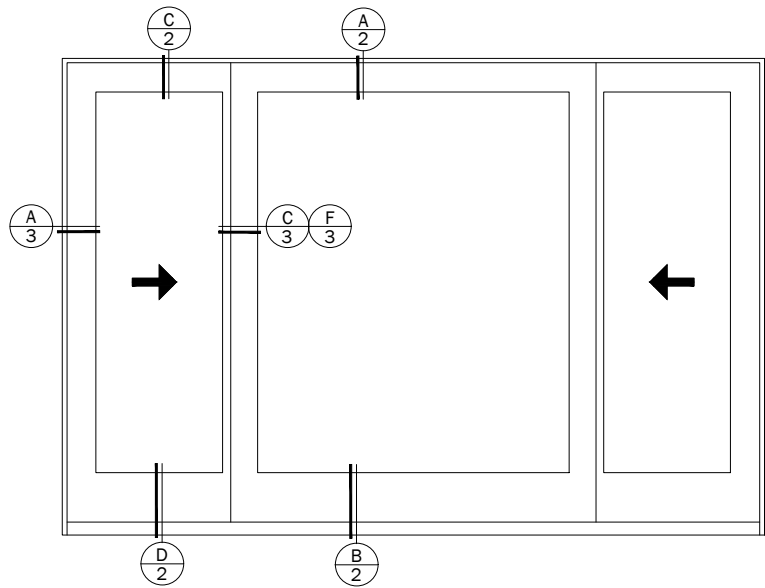
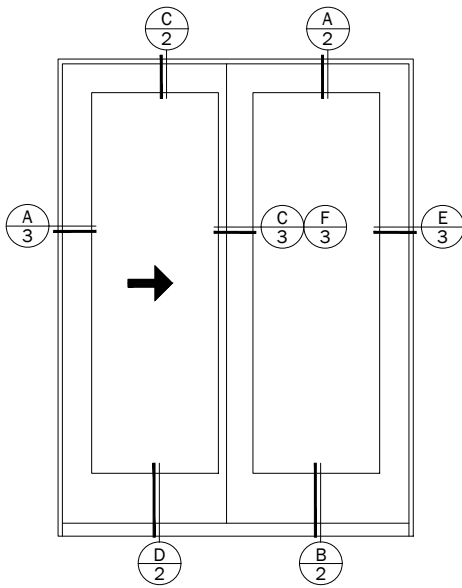


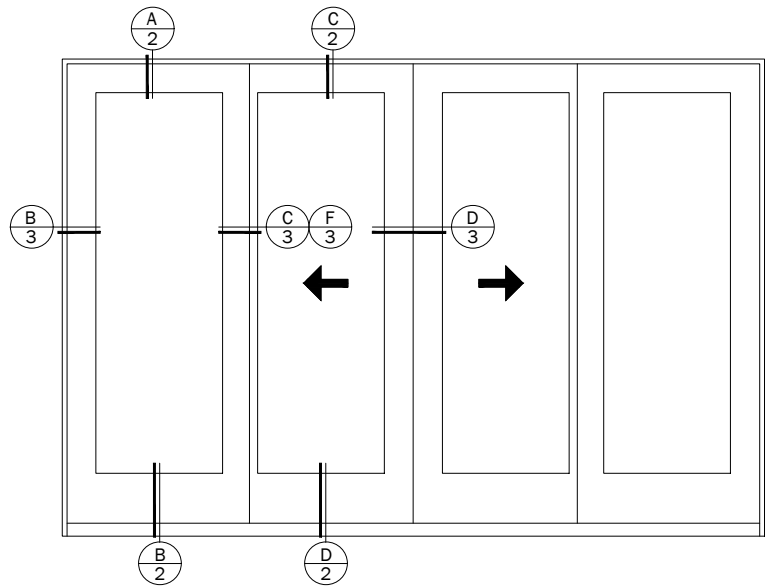
FW Gliding Patio Door
1 Panel



FW Gliding Patio Door
3 Panel



FW Gliding Patio Door
2 Panel



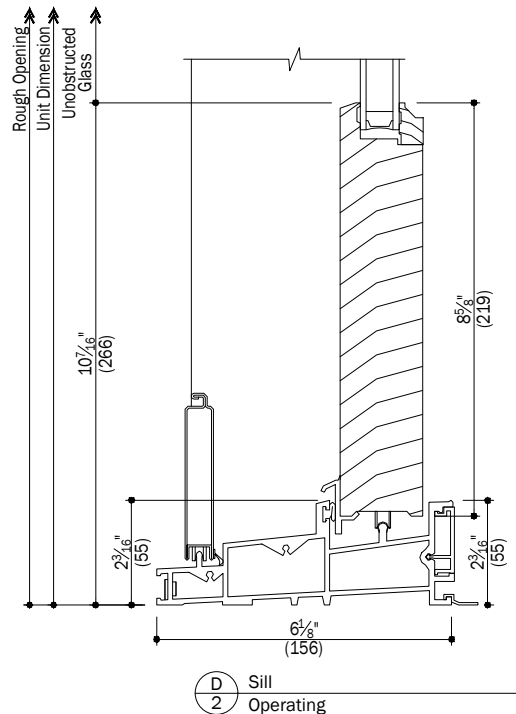
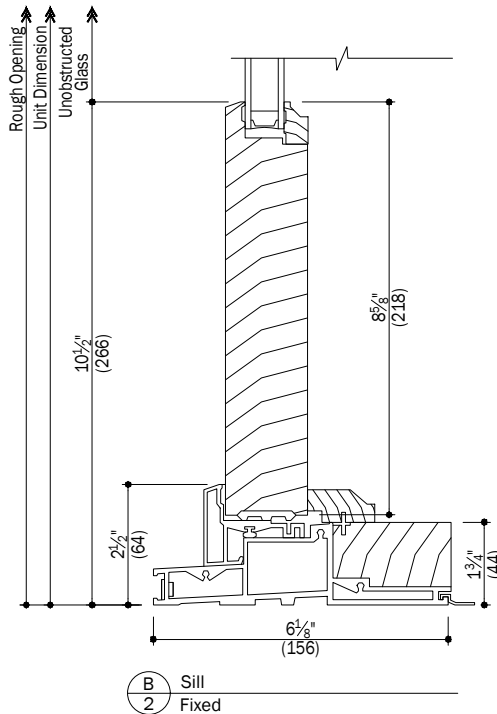
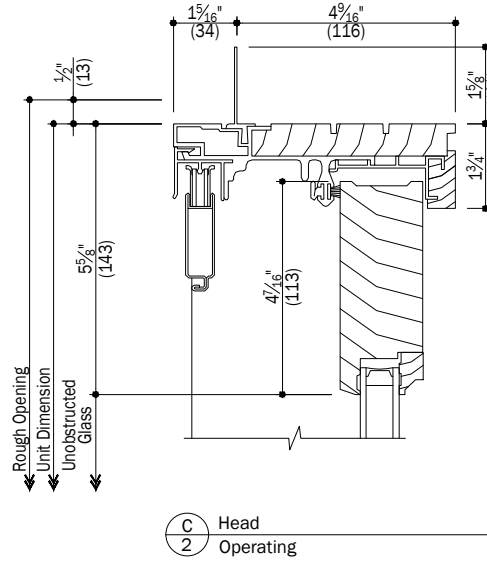
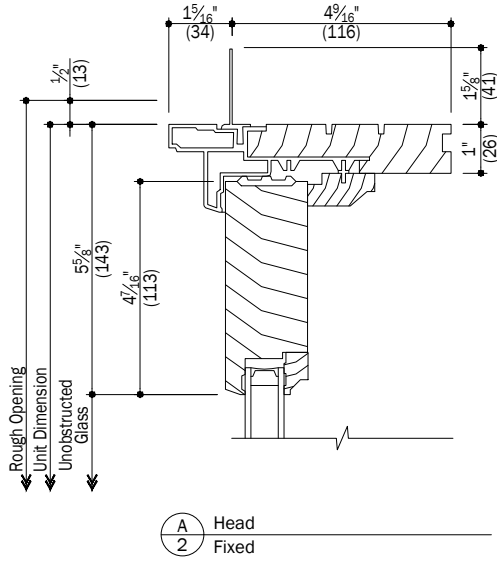
FW Gliding Patio Door
4 Panel

Notes:

Details have been optimized for use in architectural software and do not match manufacturing specifications. Dimensions in parentheses are in millimeters.

See Pages 4 Thru 8 for Accessories

Date: 03/29/16
Scale: None



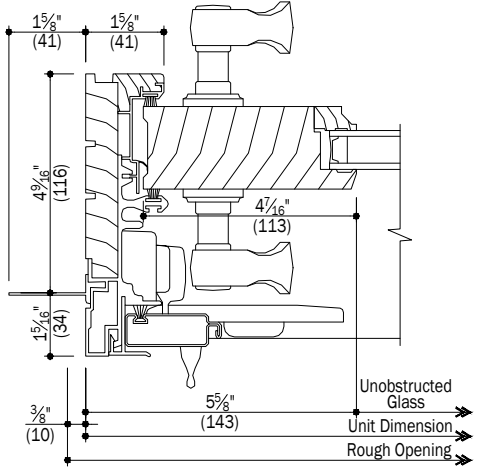
Notes:

Details have been optimized for use in architectural software and do not match manufacturing specifications. Dimensions in parentheses are in millimeters.

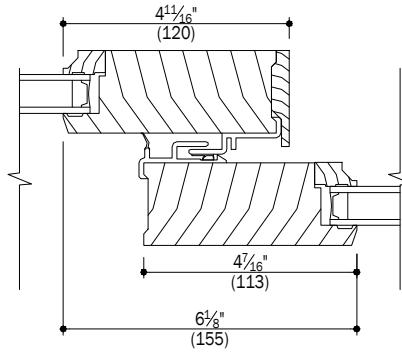
See Pages 4 Thru 8 for Accessories

A-Series

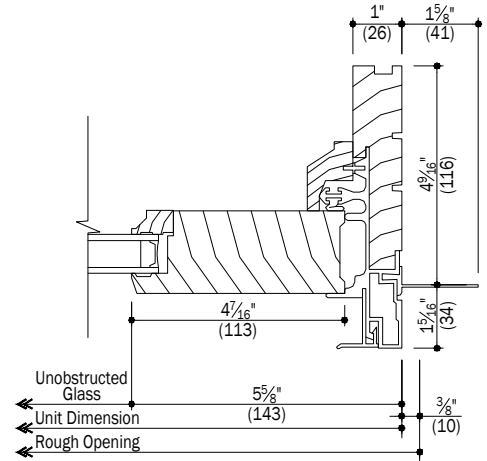
Frenchwood® Gliding Patio Doors



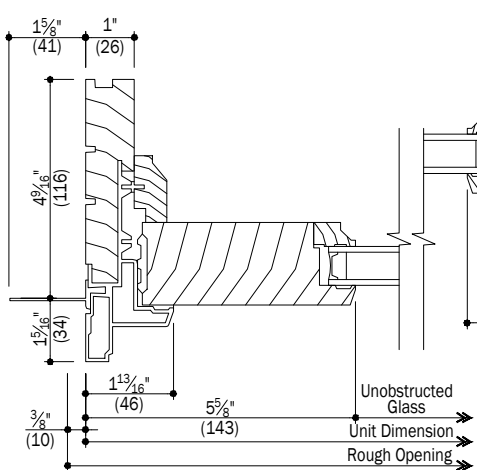
A Jamb
3 Operating



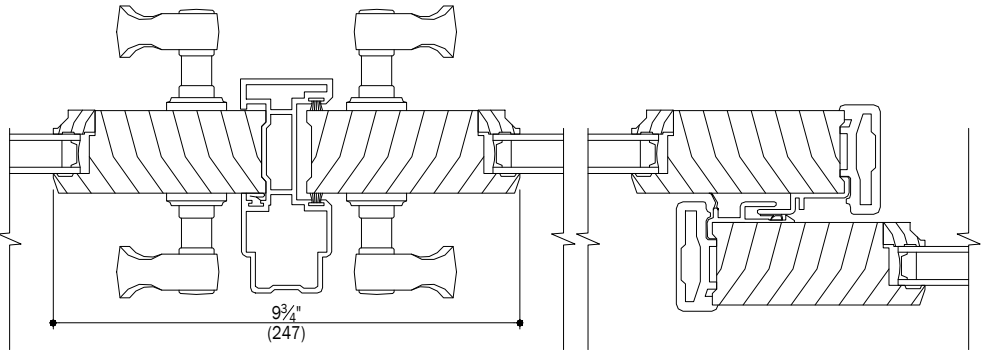
C Meeting Stile
3 For Units 8' Tall and Shorter



E Jamb
3 Stationary



B Jamb
3 Fixed



D Astragal
3

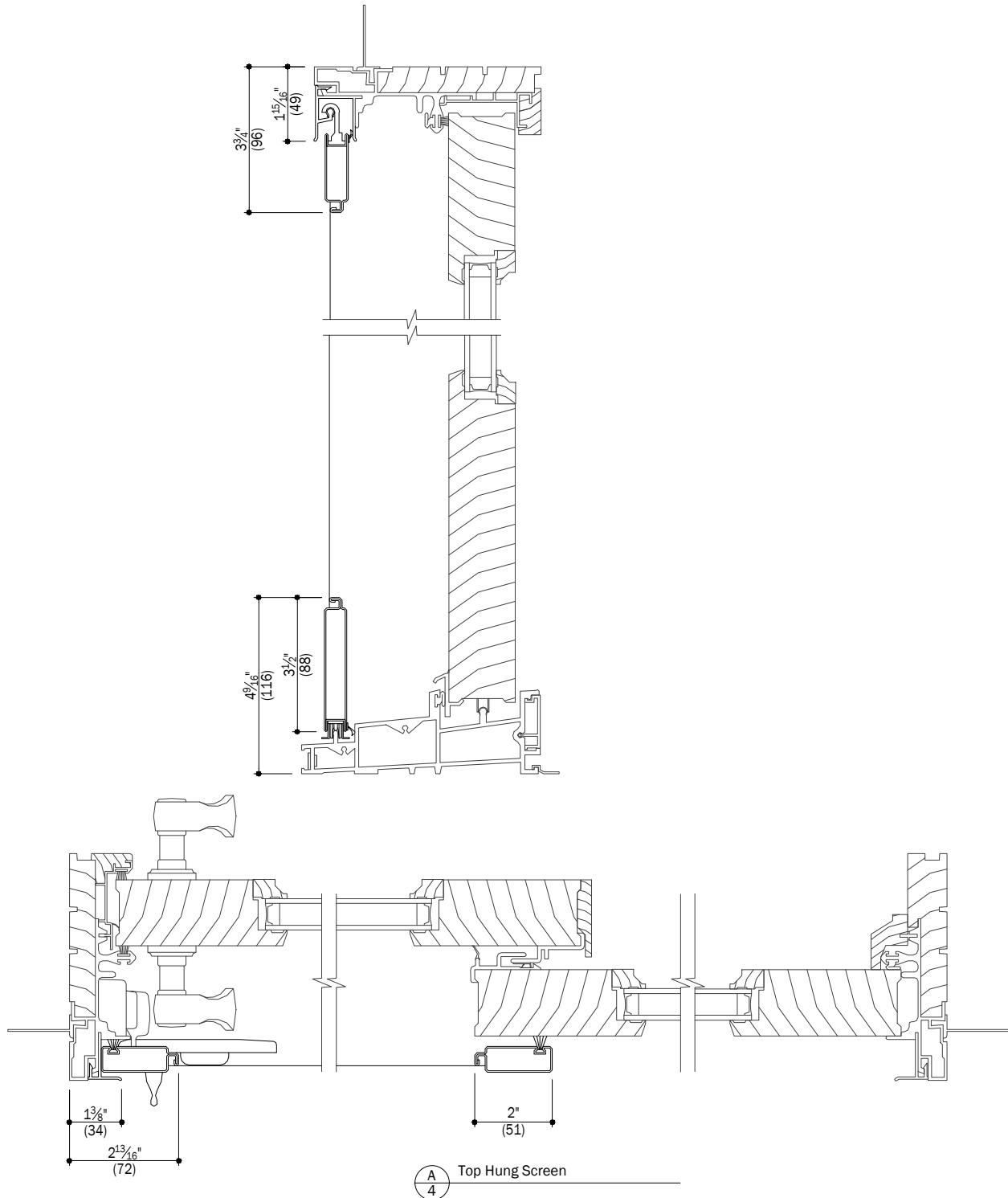
F Meeting Stile
3 For Units Taller Than 8'

Notes:

Details have been optimized for use in architectural software and do not match manufacturing specifications. Dimensions in parentheses are in millimeters.

See Pages 4 Thru 8 for Accessories

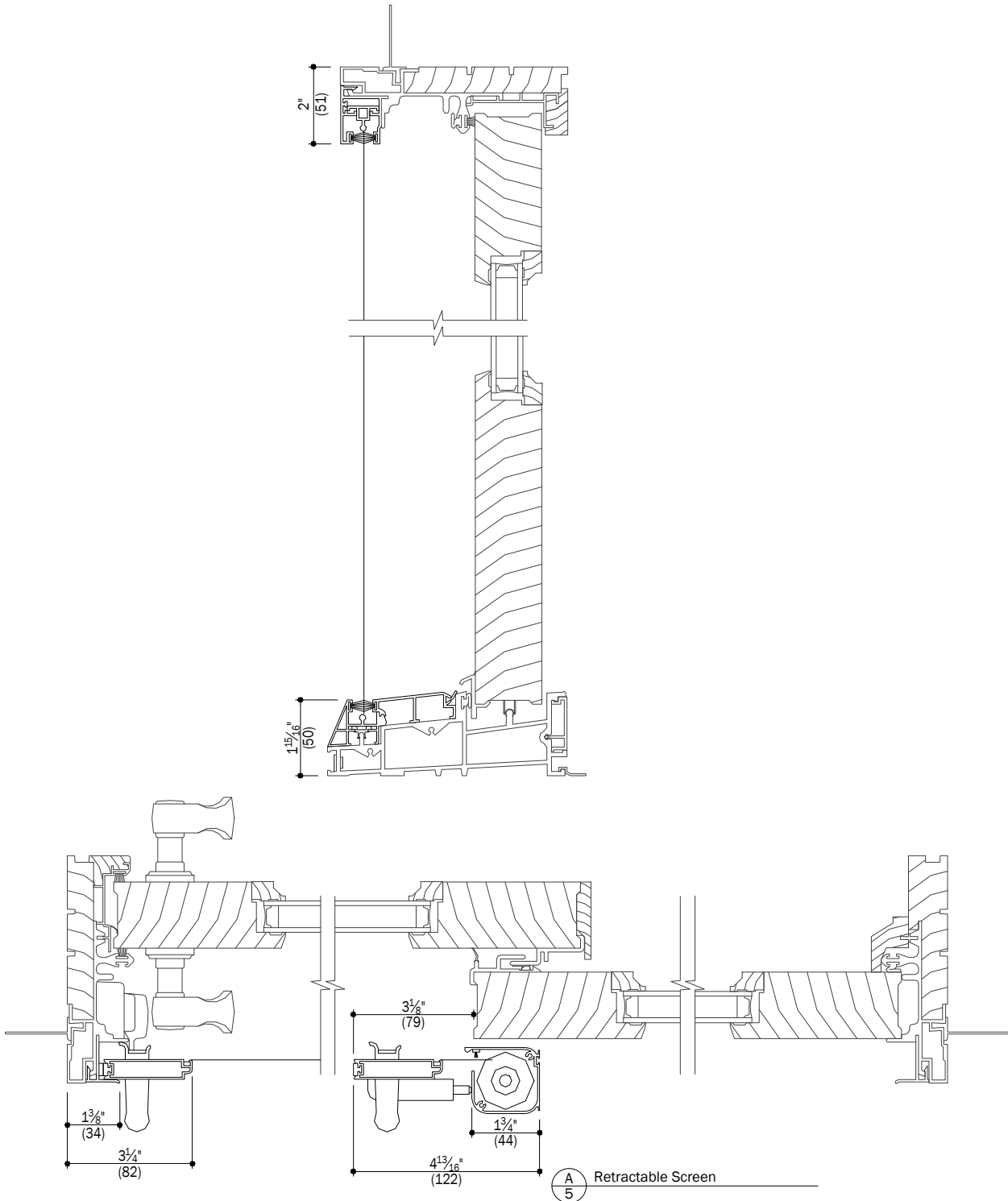
Frenchwood® Gliding Patio Doors
 Accessories



Notes:

Details have been optimized for use in architectural software and do not match manufacturing specifications. Dimensions in parentheses are in millimeters.

Frenchwood® Gliding Patio Doors
 Accessories



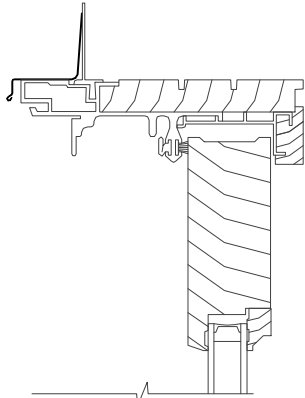
Notes:

Details have been optimized for use in architectural software and do not match manufacturing specifications. Dimensions in parentheses are in millimeters.

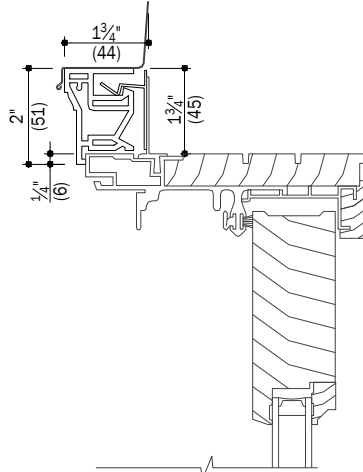
Date: 03/29/16
 Scale: 3" (76) = 1' (305)

A-Series

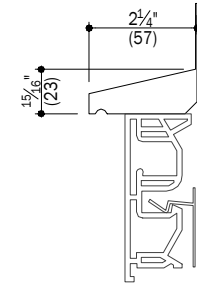
Frenchwood® Gliding Patio Doors Accessories



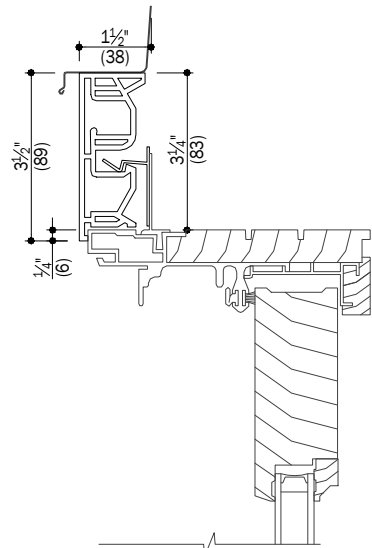
A
6 Drip Cap



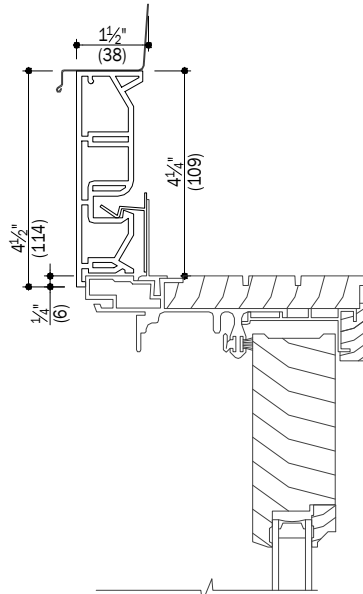
C
6 2" Brick Mould



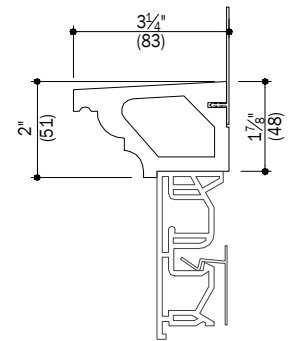
E
6 Decorative Drip Cap



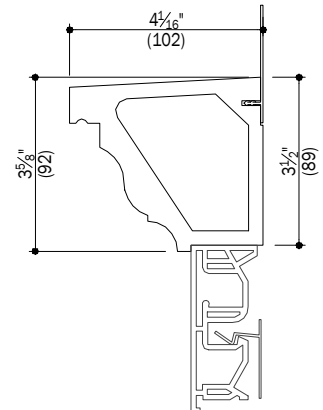
B
6 3 1/2" Flat Casing



D
6 4 1/2" Flat Casing



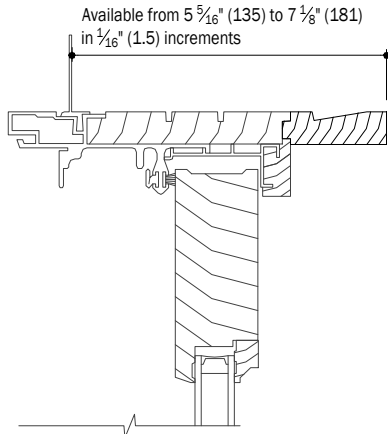
F
6 2" Cornice



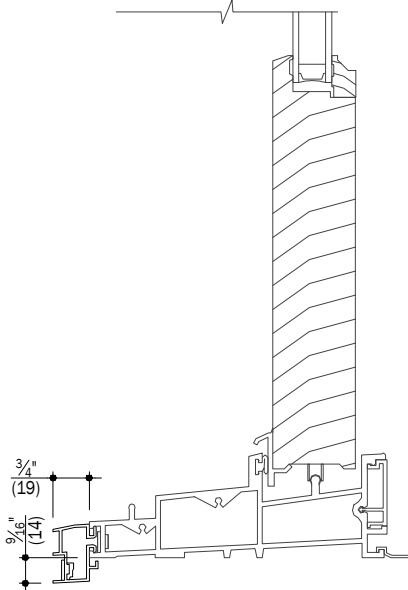
G
6 3 5/8" Cornice

Notes:

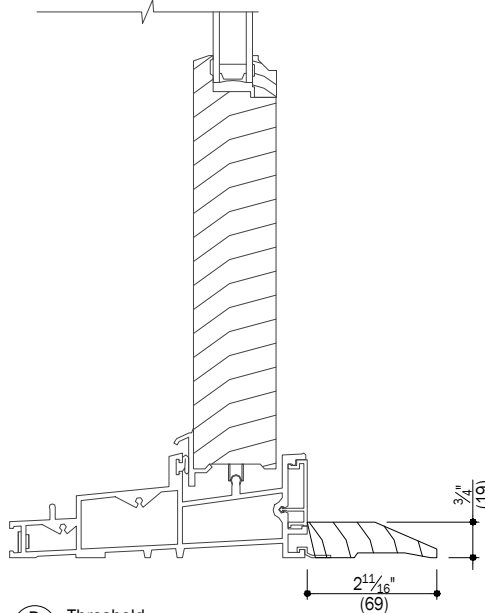
Details have been optimized for use in architectural software and do not match manufacturing specifications. Dimensions in parentheses are in millimeters.



A
7 Extension Jamb



D
7 Drop-Nose Channel
Performance Grade (PG) Upgrade



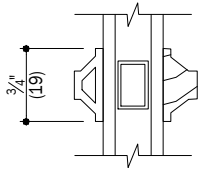
D
7 Threshold

Notes:

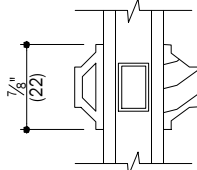
Details have been optimized for use in architectural software and do not match manufacturing specifications. Dimensions in parentheses are in millimeters.

A-Series

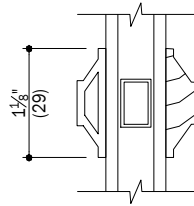
Frenchwood® Gliding Patio Doors Accessories



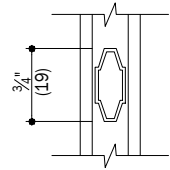
A
8 3/4" Full Divided Light



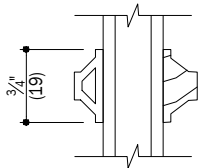
E
8 7/8" Full Divided Light



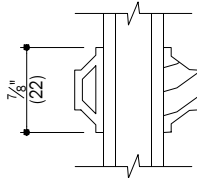
J
8 1 1/8" Full Divided Light



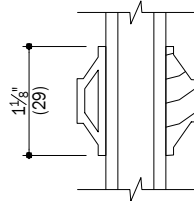
M
8 3/4" Finelight



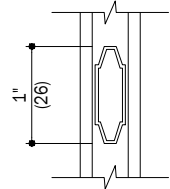
B
8 3/4" Simulated Divided Light
Removable interior is available



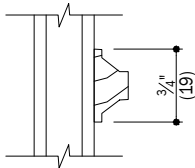
F
8 7/8" Simulated Divided Light
Removable interior is available



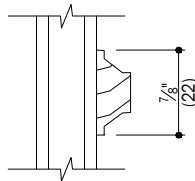
K
8 1 1/8" Simulated Divided Light
Removable interior is available



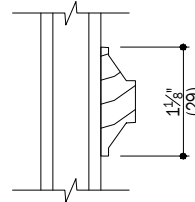
N
8 1" Finelight



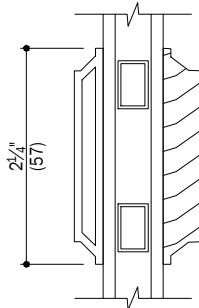
C
8 3/4" Removable Interior Grille



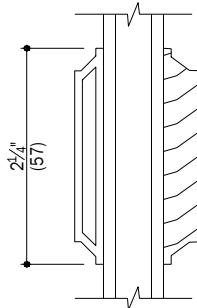
G
8 7/8" Removable Interior Grille



L
8 1 1/8" Removable Interior Grille



D
8 2 1/4" Full Divided Light
Simulated check rail



H
8 2 1/4" Simulated Divided Light
Simulated check rail

Notes:

Details have been optimized for use in architectural software and do not match manufacturing specifications. Dimensions in parentheses are in millimeters.

Date: 03/29/16
Scale: 3" (76) = 1' (305)